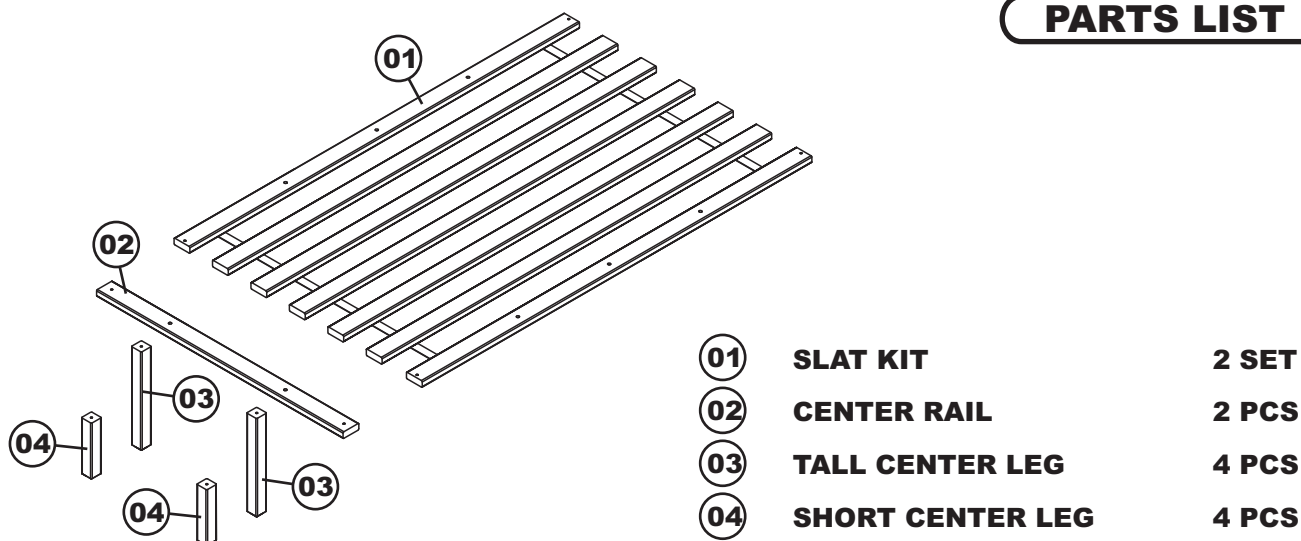


ASSEMBLY INSTRUCTIONS

Before assembling your Bed slat kit, please read through these instructions carefully. Familiarize yourself with the different parts. Please note that you will require a Phillips Head Screwdriver and an Allen wrench.

PARTS LIST

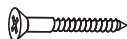


HARDWARE

NOTE: WE INCLUDE SPARE HARDWARE IN CASE THE ALLEN WRENCH, ALLEN SCREW OR WOOD SCREW ARE DAMAGED DURING ASSEMBLY.



(A) 1 1/2" Allen Screw - 8 pcs
Spare - 1 pc



(B) 1 1/4" Wood Screw - 8 pcs
Spare - 2 pcs



(C) Allen wrench - 1 pc
Spare - 1 pc

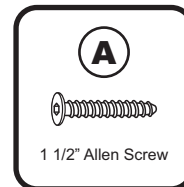
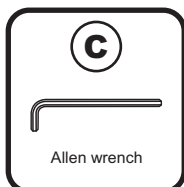
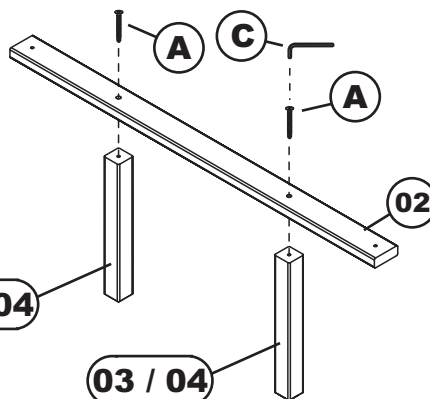
Step 1

Assemble bed frame according to bed assembly instructions. If using mattress and foundation set the bed up low and use short center leg. If using bed drawer choose the tall center leg.

Step 2

Unpack slat kit and check that contents are complete

Assemble center leg (03 / 04) and center rail (02) using allen screw (A). Tighten with the allen wrench (C). Repeat for other center rail.



Step 3



Adult Assembly

A

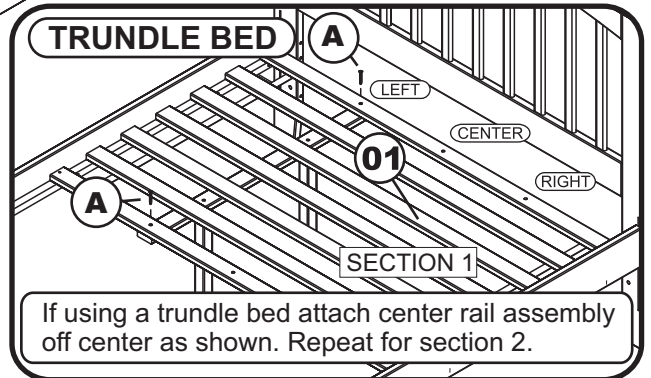
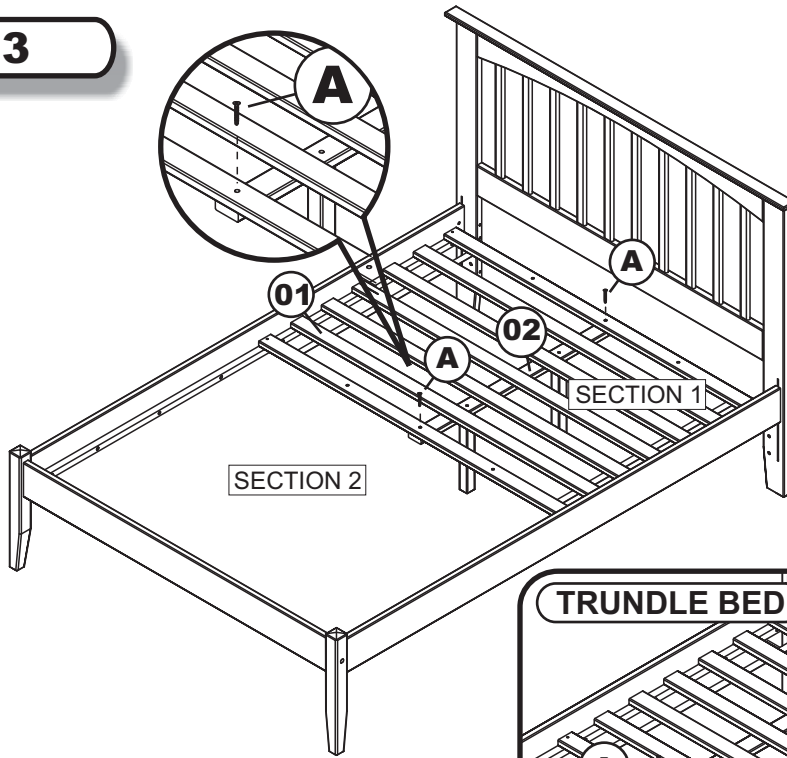


1 1/2" Allen Screw

C



Allen wrench



Lay the slat kit (01) onto the bed.
Attach center rail assembly (02) to slat kit (01).
Using allen screw (A), tighten with the allen wrench (C).
Repeat for section 2.

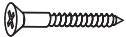
If using a trundle bed attach center rail assembly off center as shown. Repeat for section 2.

Step 4



Adult Assembly

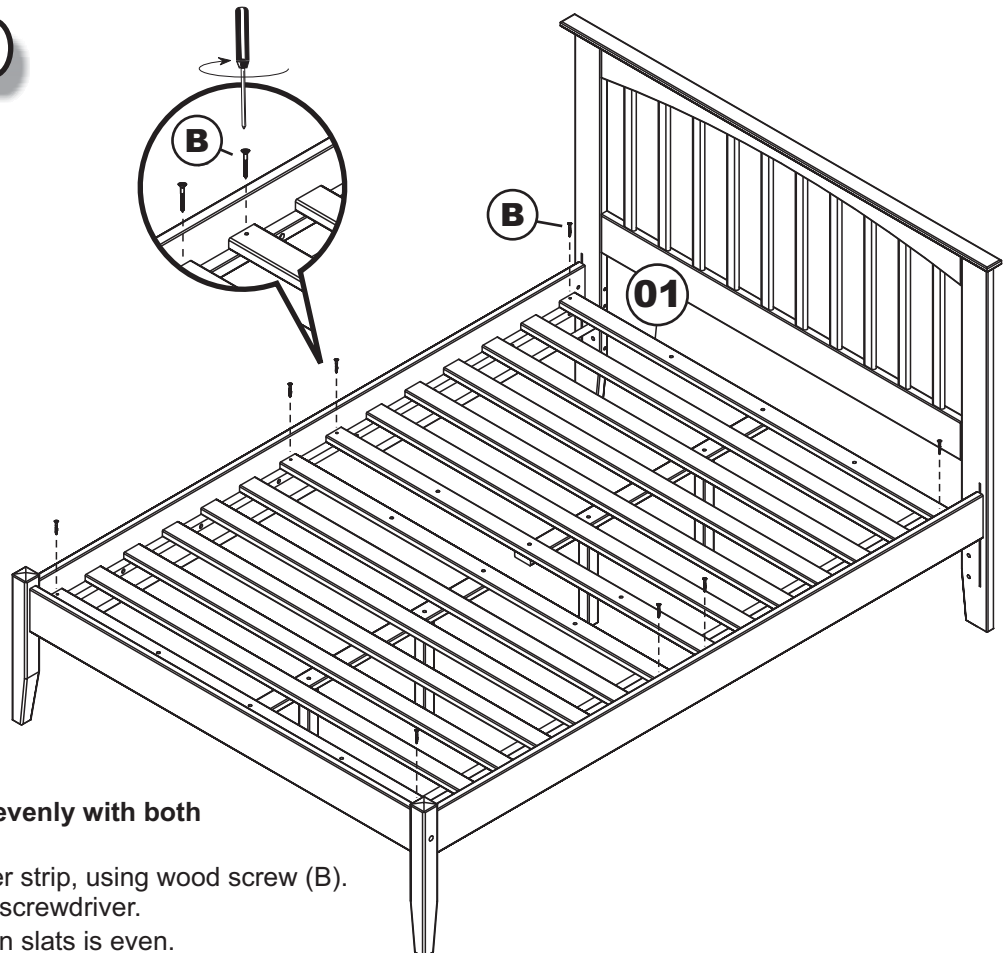
B



1 1/4" Wood Screw

Phillips Head
Screwdriver

Customer Supplied



Be sure to align slat kit evenly with both ends of ledger strip.

Screw slat kit (01) to ledger strip, using wood screw (B).
Tighten with Phillips head screwdriver.
Be sure the space between slats is even.