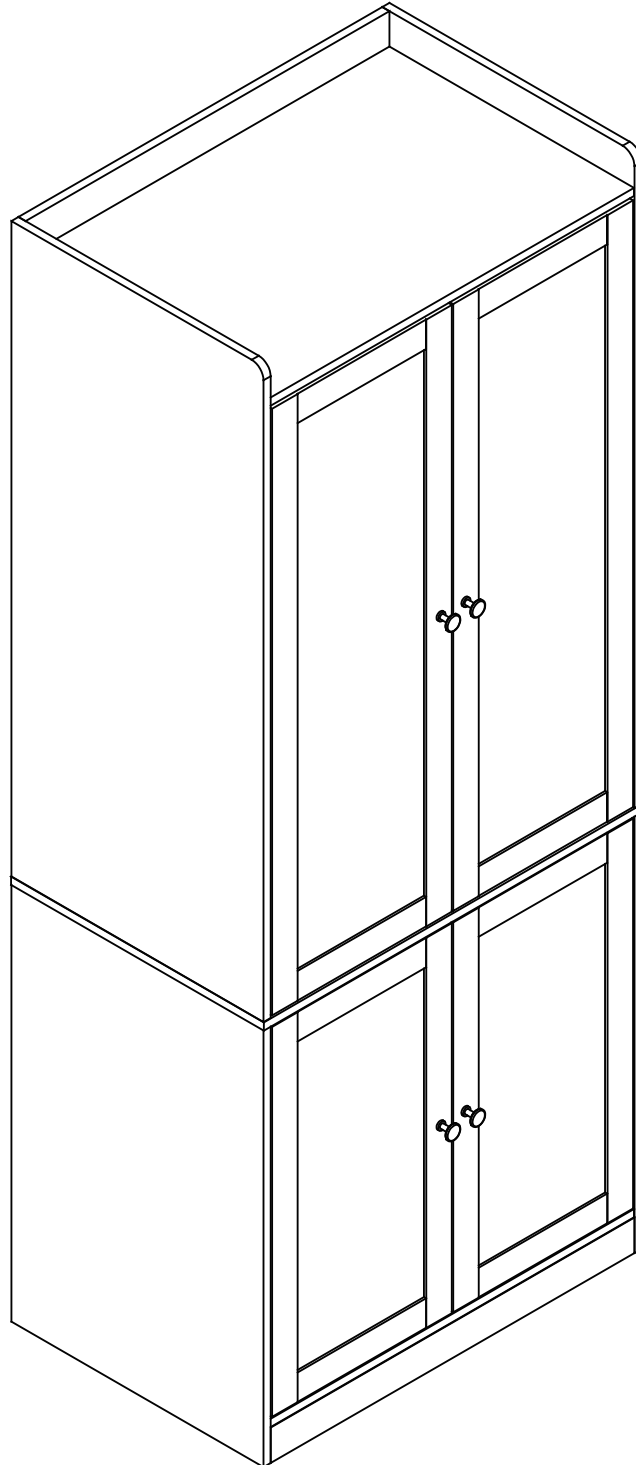


Owner Manual

STORAGE CABINET



INTRODUCTION

Thank you for choosing the Storage Cabinet. Please read this user manual carefully and keep it for future reference. If you need any assistance, please contact us by email with your order number and details.


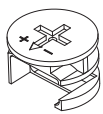
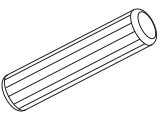
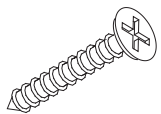
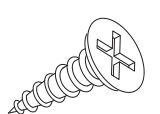
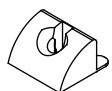

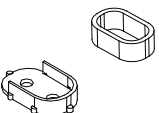
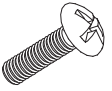
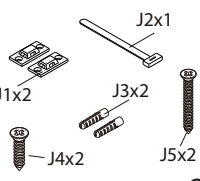

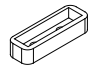

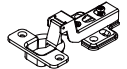
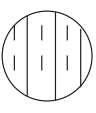
PACKAGE CONTENTS

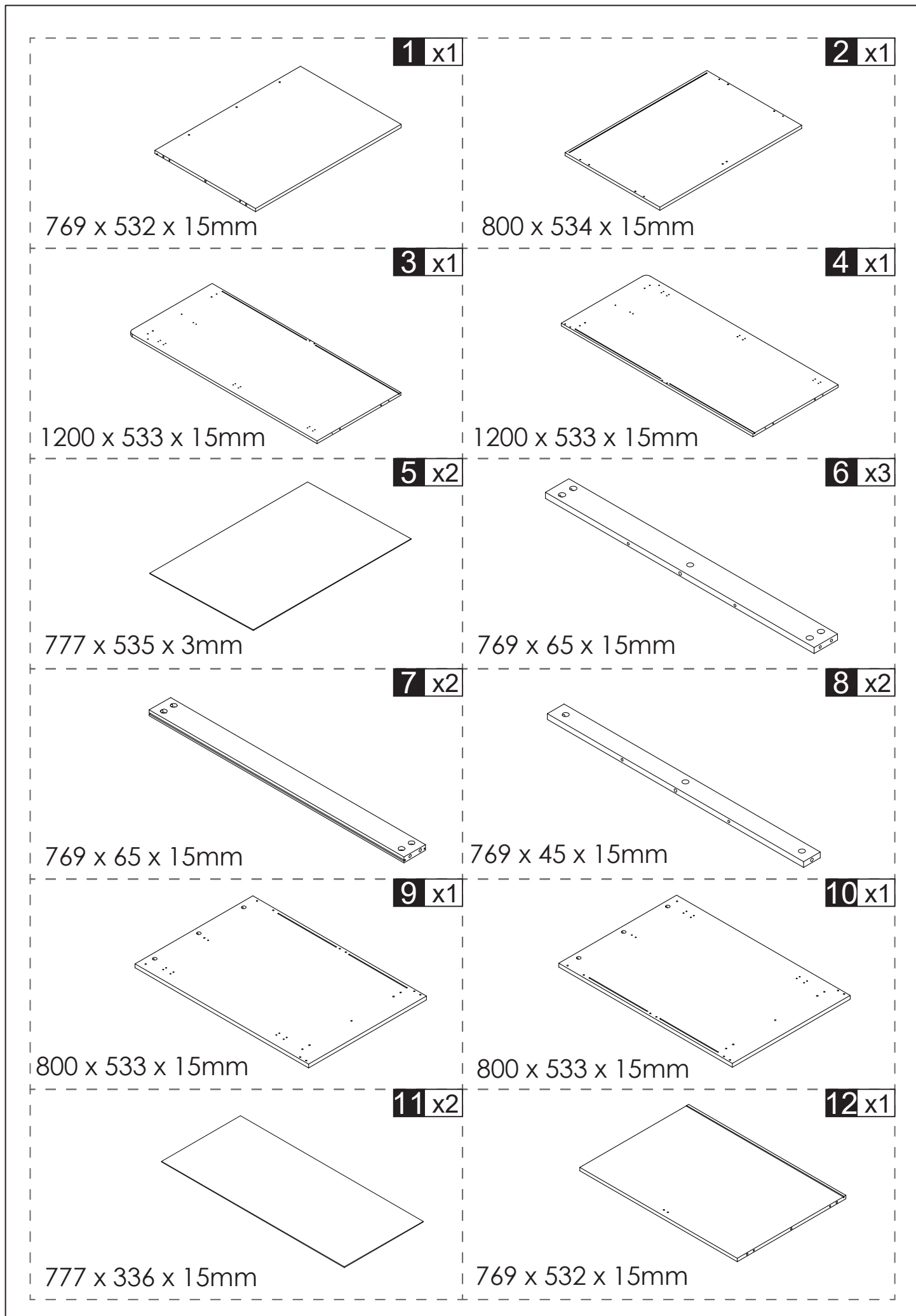
- 1 x Storage Cabinet
- 1 x Pack of Accessories
- 1 x User Manual

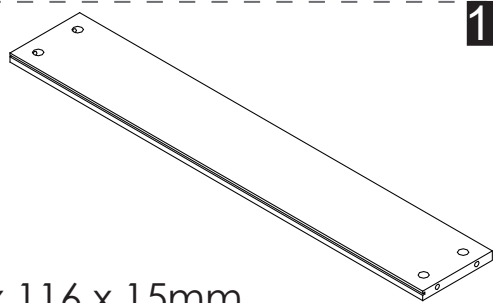
PRODUCT CARE

- Please follow the instruction to assemble this item correctly.
- Don't make the screws be too loose or too tight.
- Please put the screws into the holes' position just as shown in the arrows of the image, and then clockwise rotate 90° or 180°
- More product parts, it is recommended that two people install
- The fittings pack contains small accessories that should be kept away from small children.

HARDWARES LIST

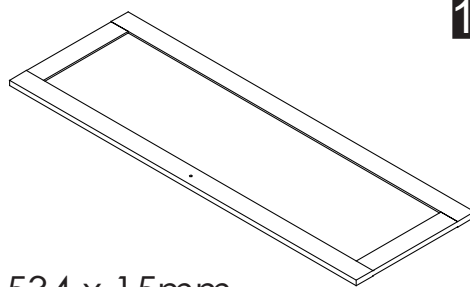
A 6*35mm  x51	B 15*9.5mm  x51	C 6*30mm  x24	D 4*40mm  x4	E 4*14mm  x60	F  x20
G  x4	H 6*45mm  x4	I 4*18mm  x4	J  J1x2 J2x1 J3x2 J4x2 J5x2 x2	K 3*16mm  x28	L  x2
M  x4	N  x10	O  x16			





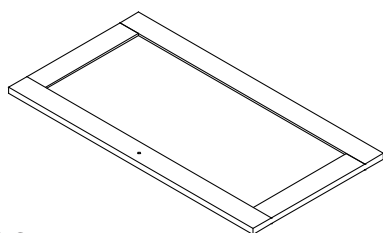
13x1

769 x 116 x 15mm



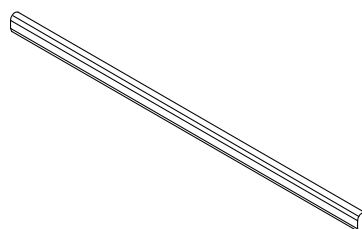
14x2

800 x 534 x 15mm



15x2

1200 x 533 x 15mm



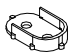


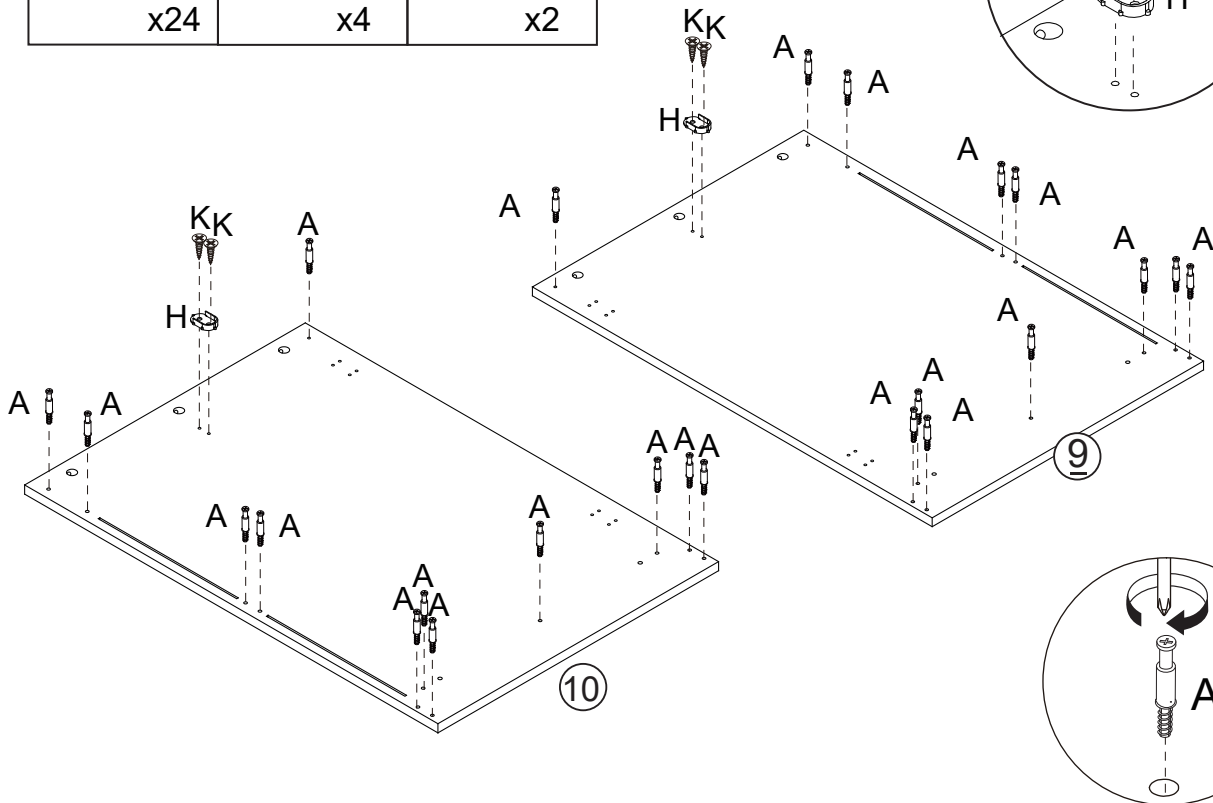
16x2

763 x 35 x 15mm

1

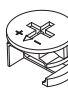
You will need

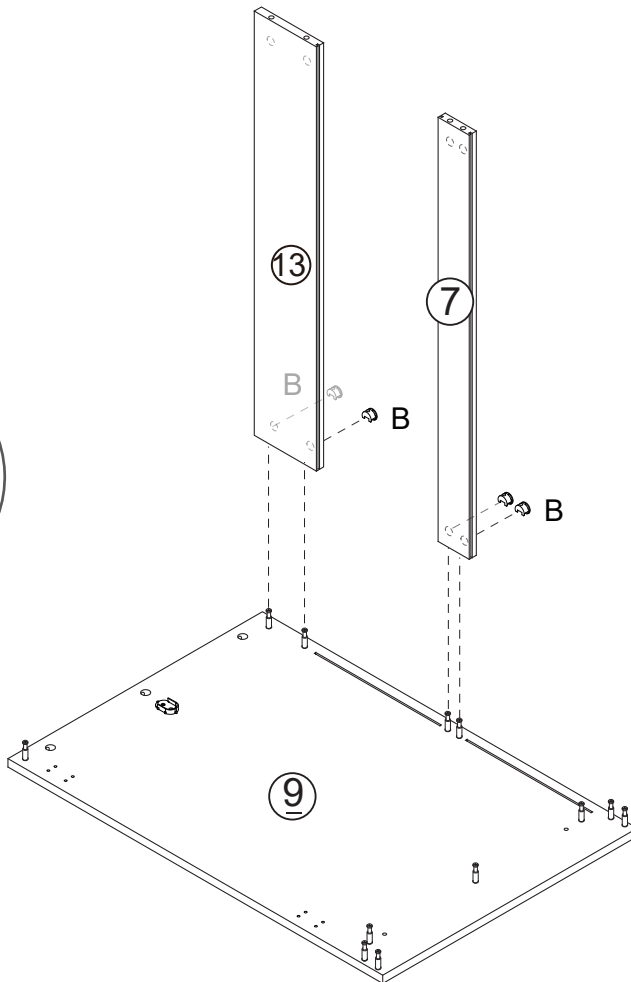
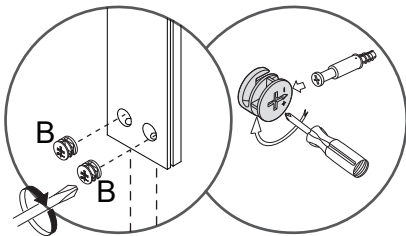
<p>A</p>  <p>x24</p>	<p>K</p>  <p>x4</p>	<p>H</p>  <p>x2</p>
---	--	--



2

You will need

<p>B</p>  <p>x4</p>
--



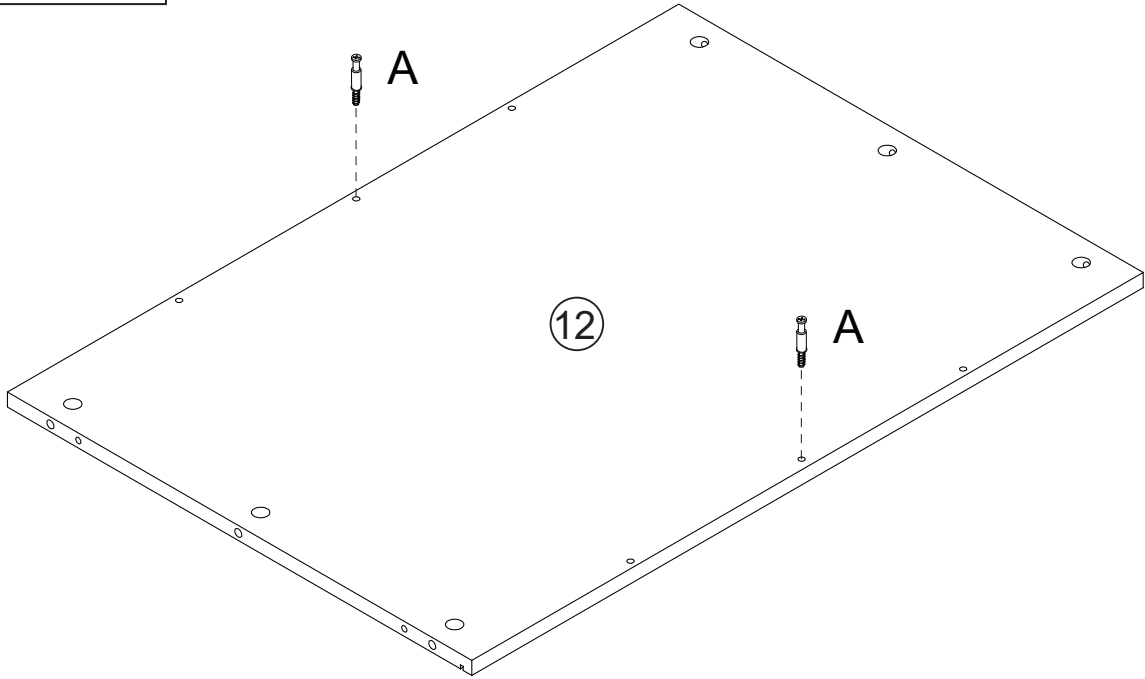
3

You will need

A



x2



4

You will need

B

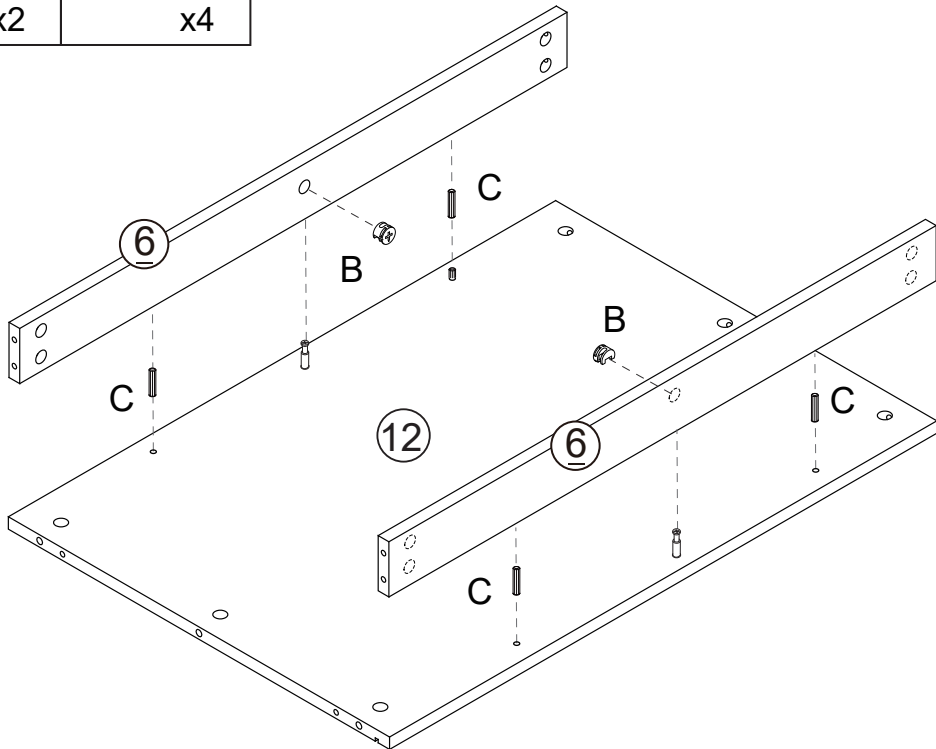


x2

C



x4



5

You will need

C

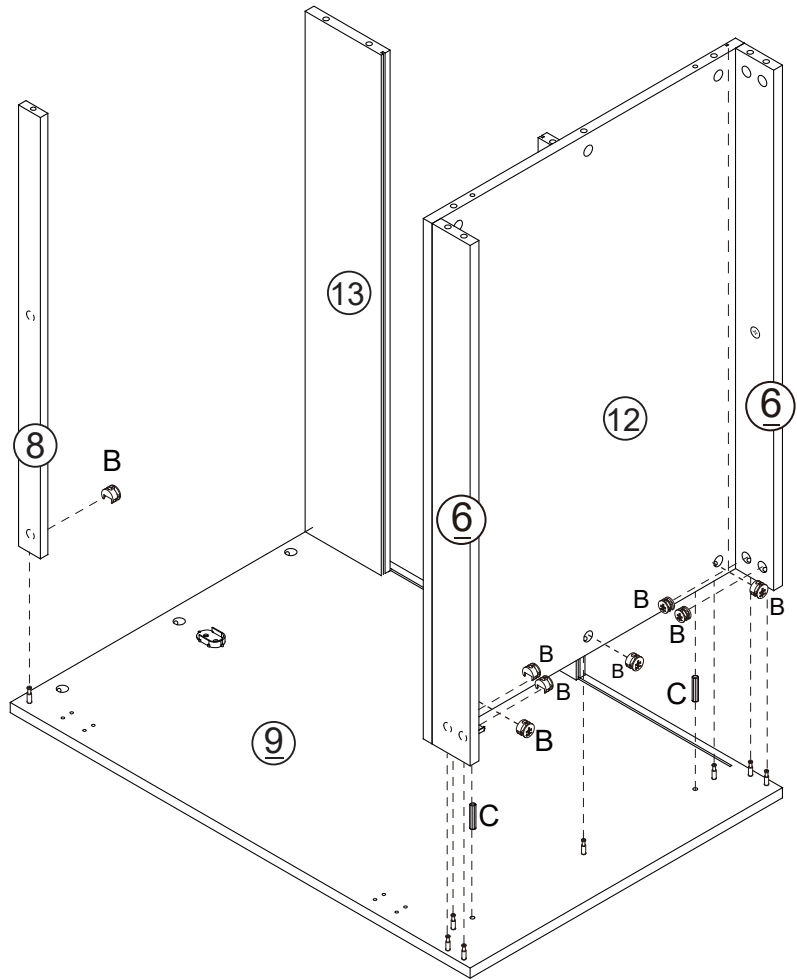
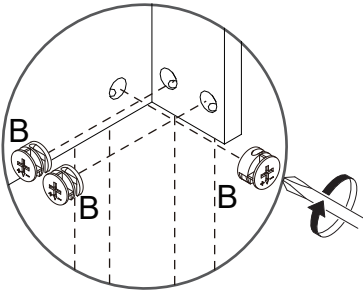


x2

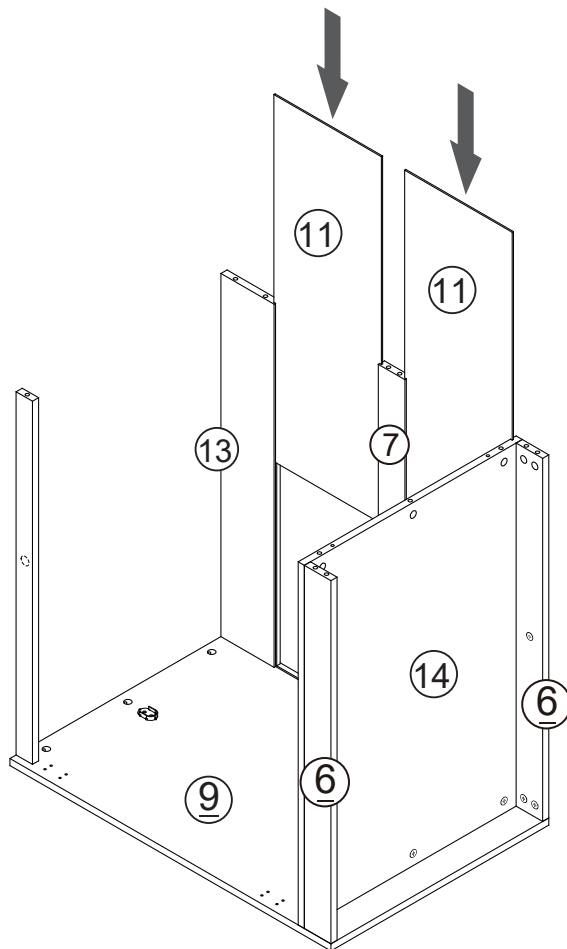
B



x8



6



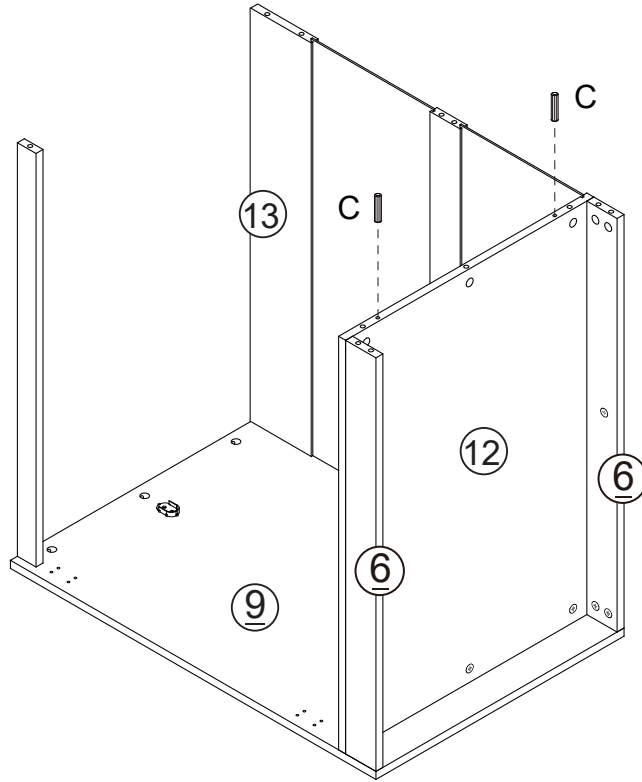
7

You will need

C



x2



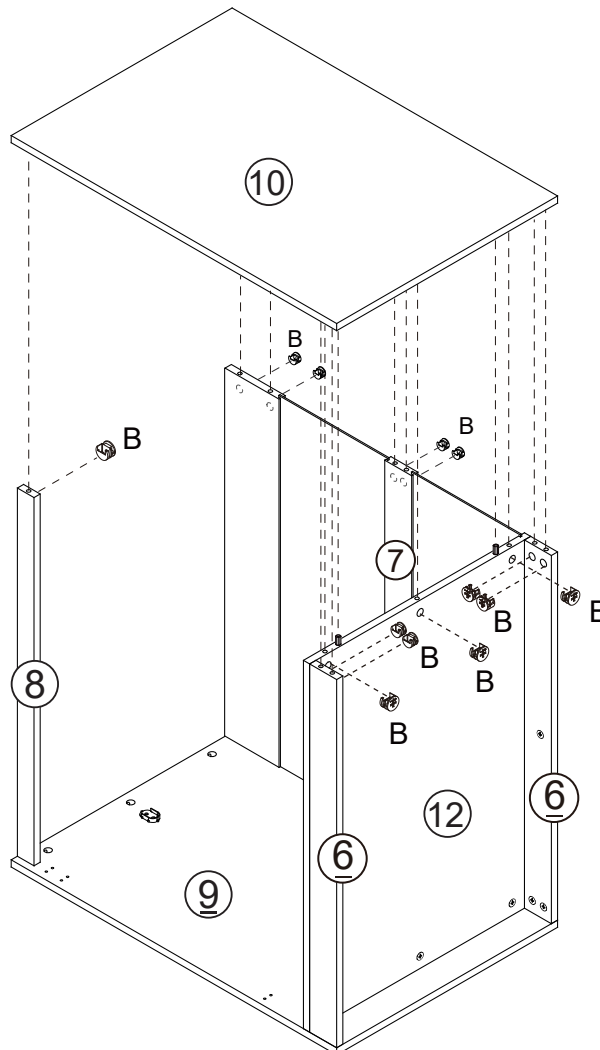
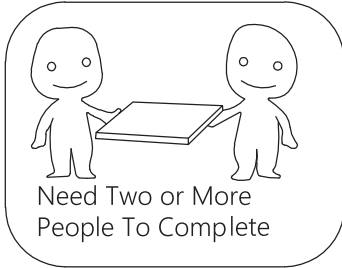
8

You will need

B



x12



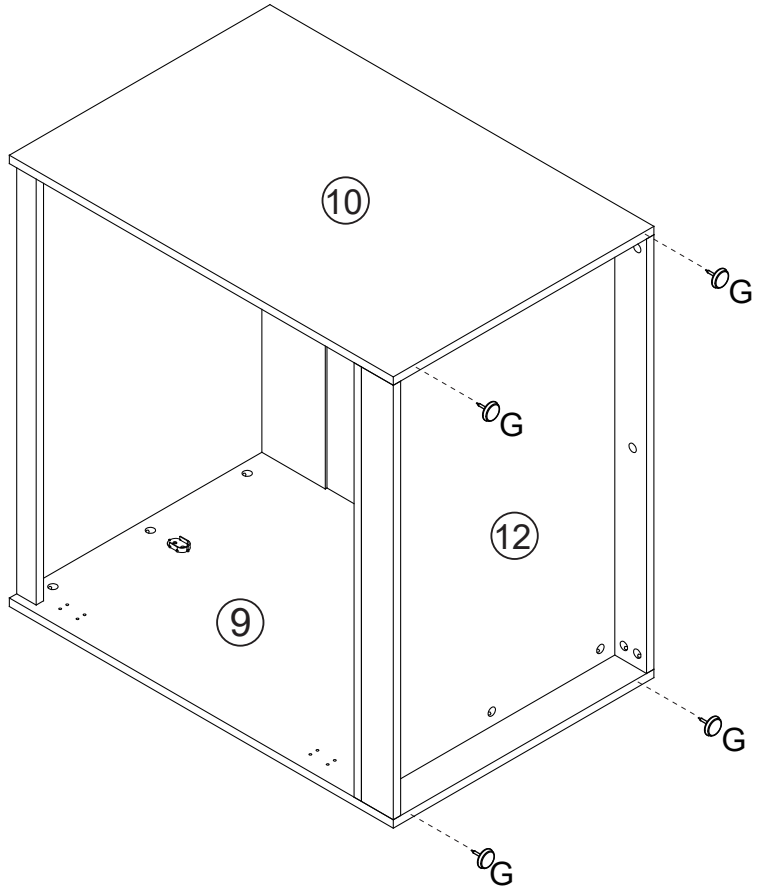
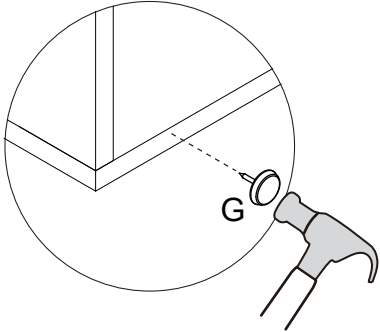
9

You will need

G



x4



10

You will need

A



x16

K

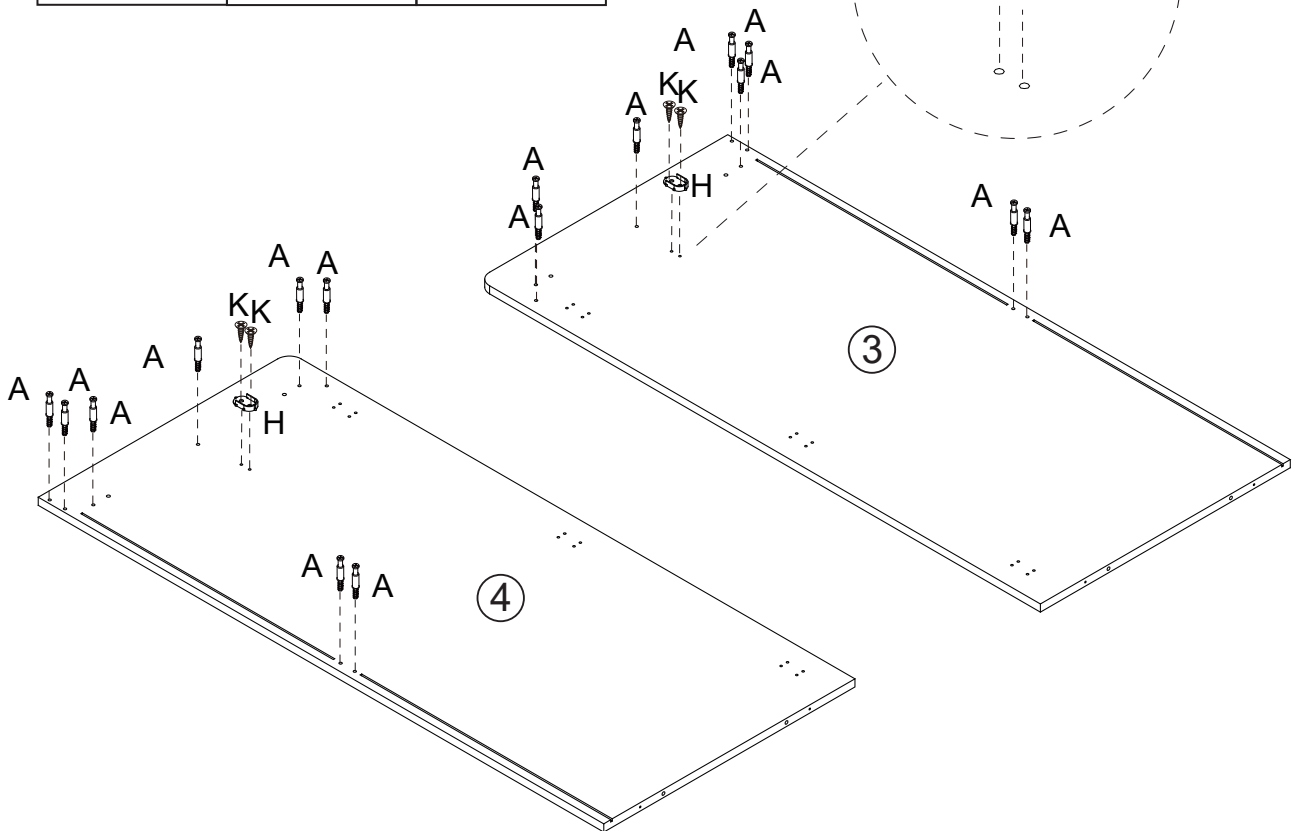
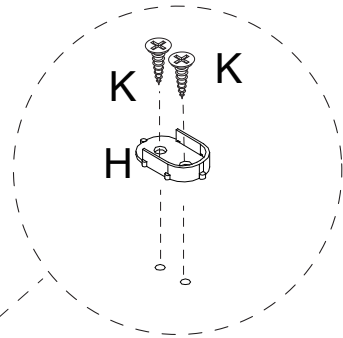


x4

H



x2



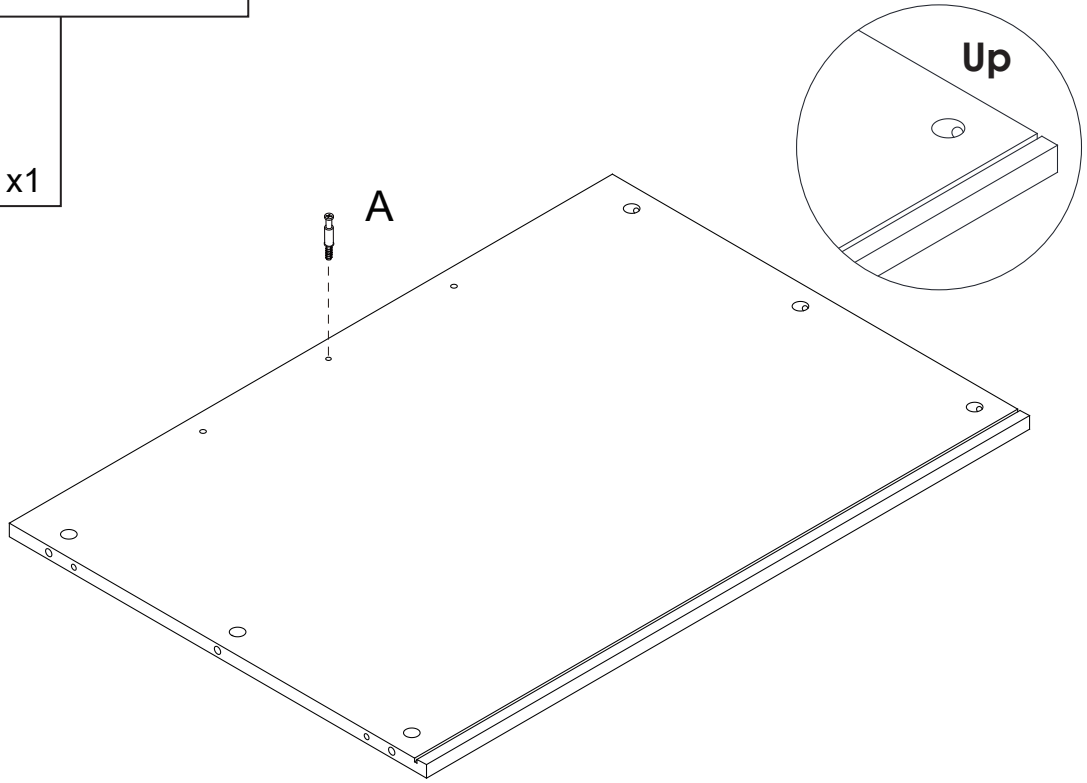
11

You will need

A



x1



12

You will need

C

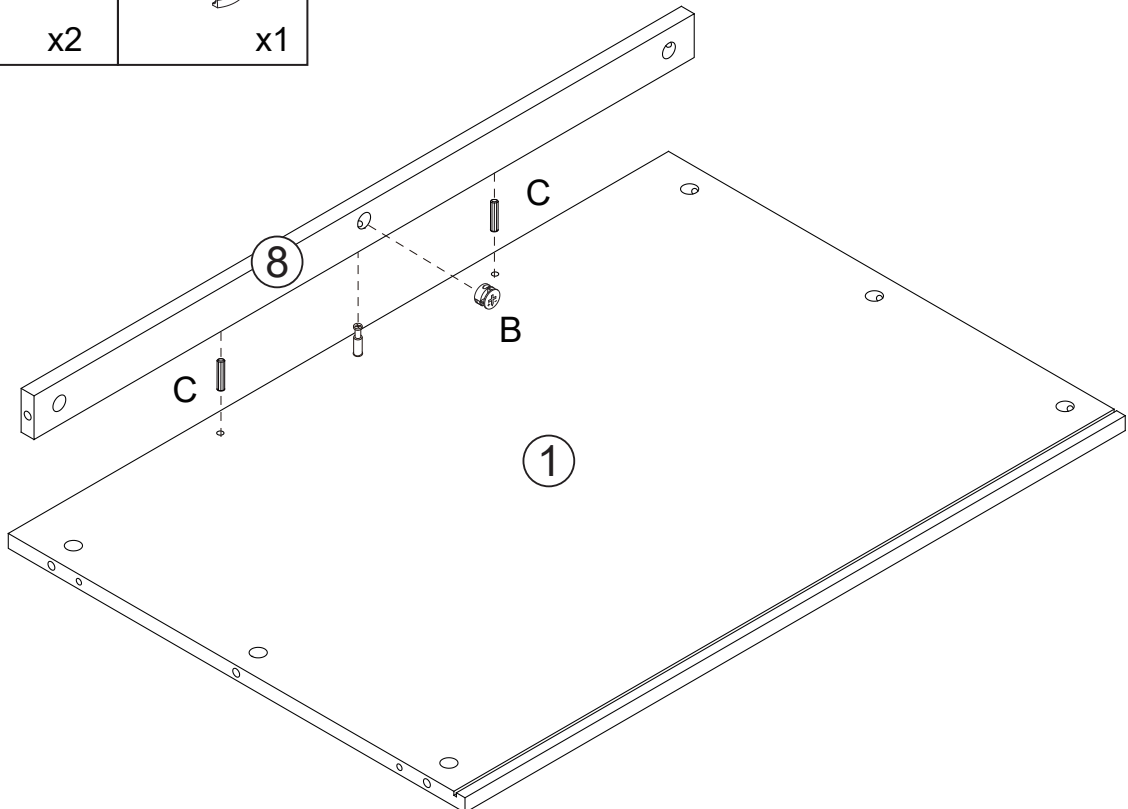


x2

B



x1



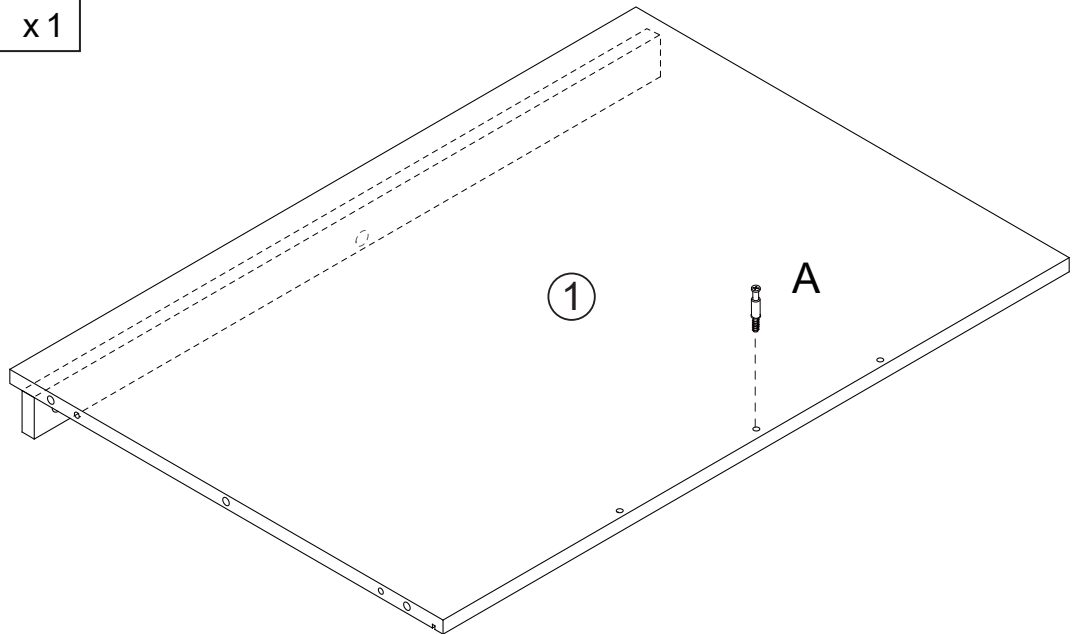
13

You will need

A



x 1



14

You will need

C

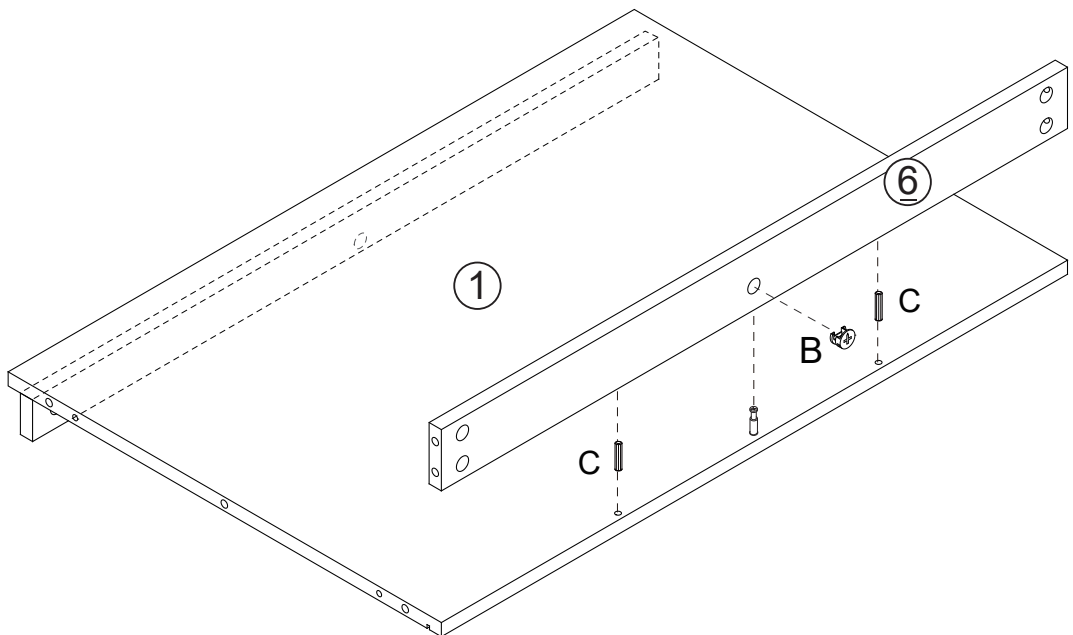


x 2

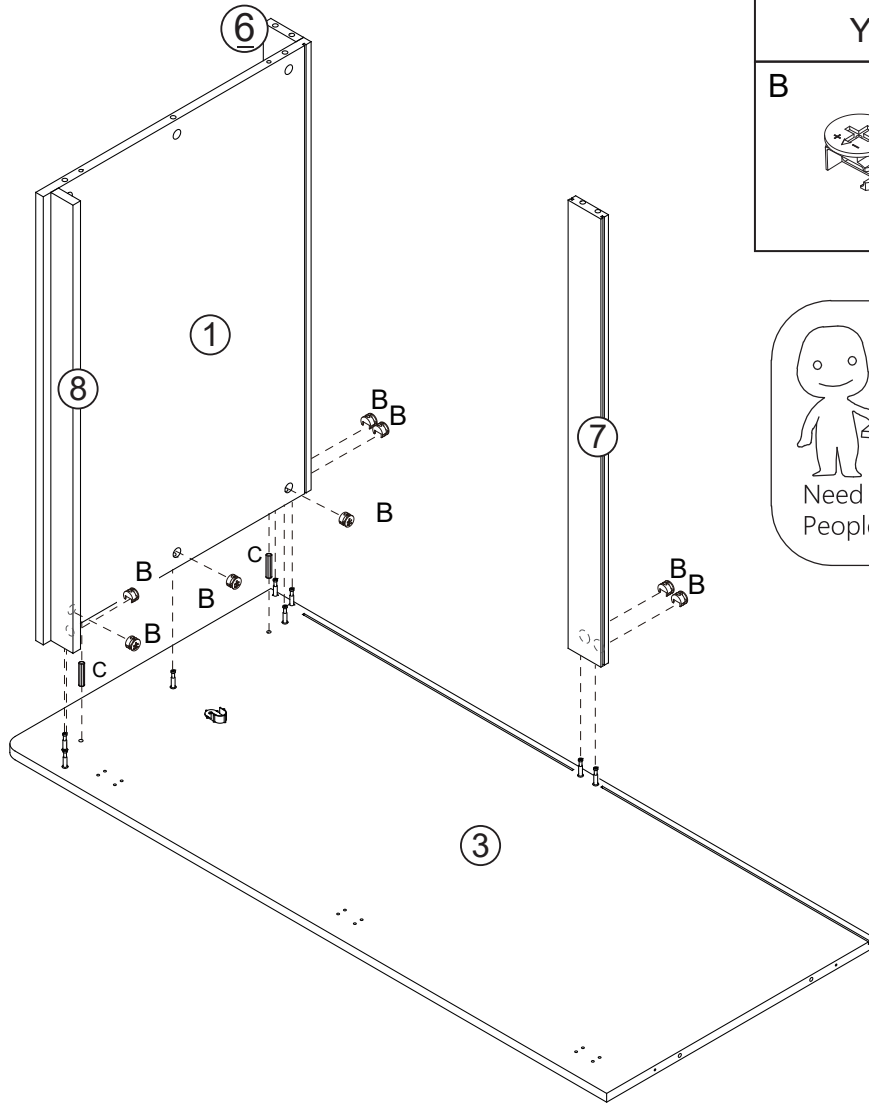
B



x 1



15



You will need

B

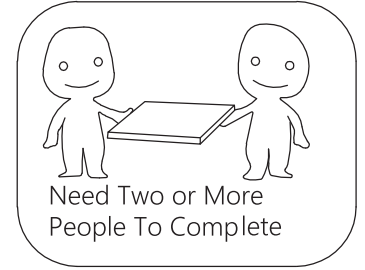


x8

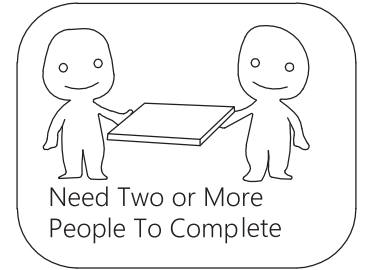
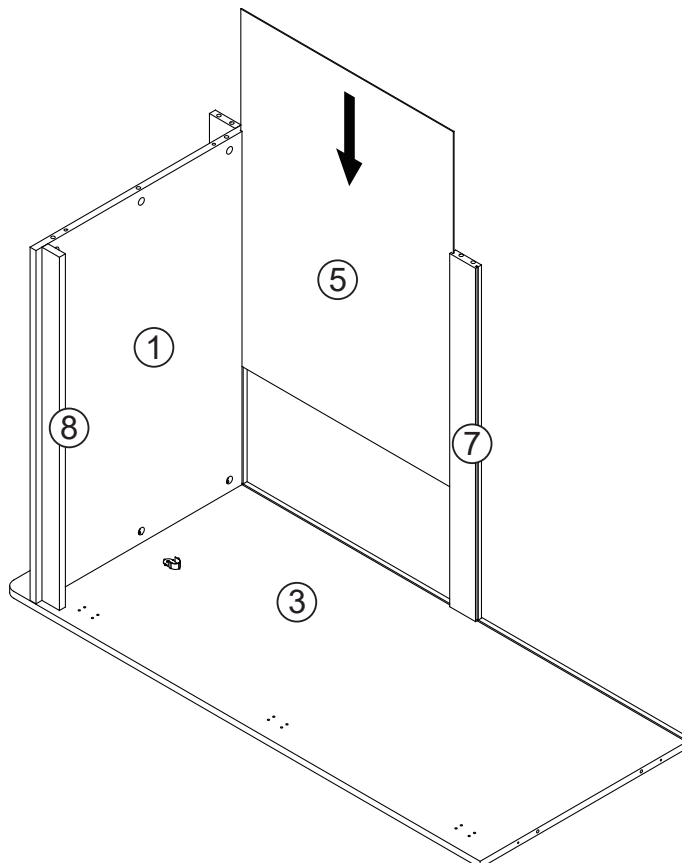
C



x2



16



17

You will need

C

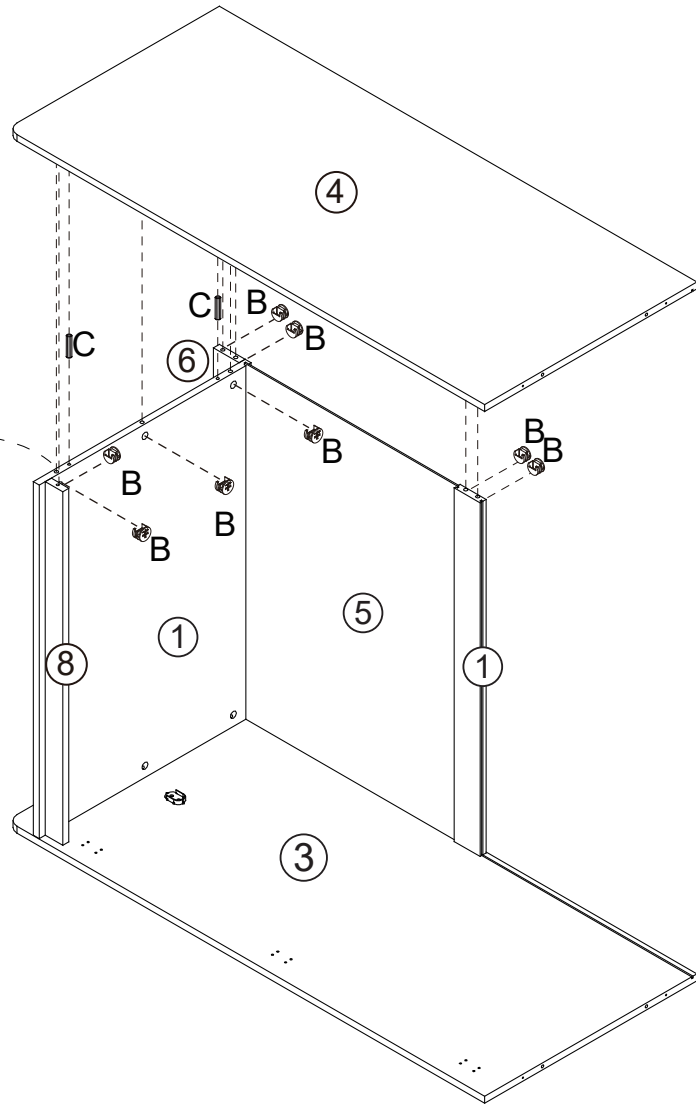
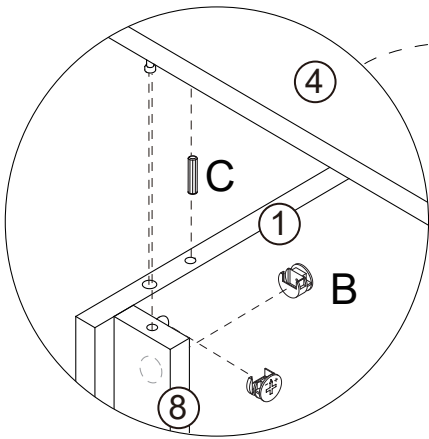


x2

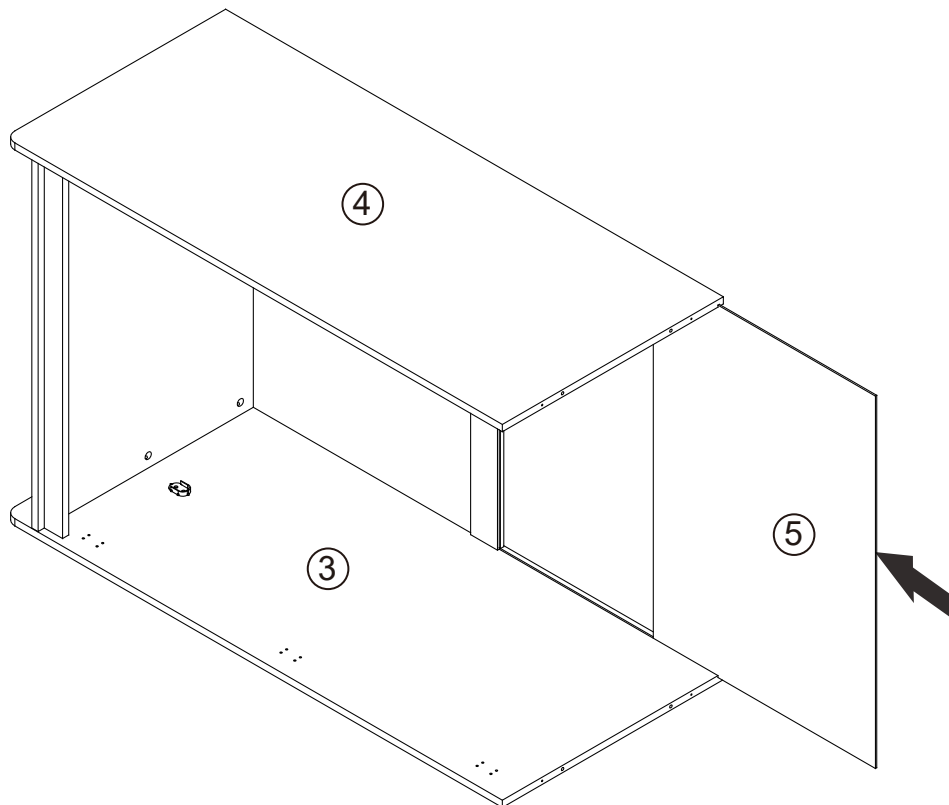
B



x8



18



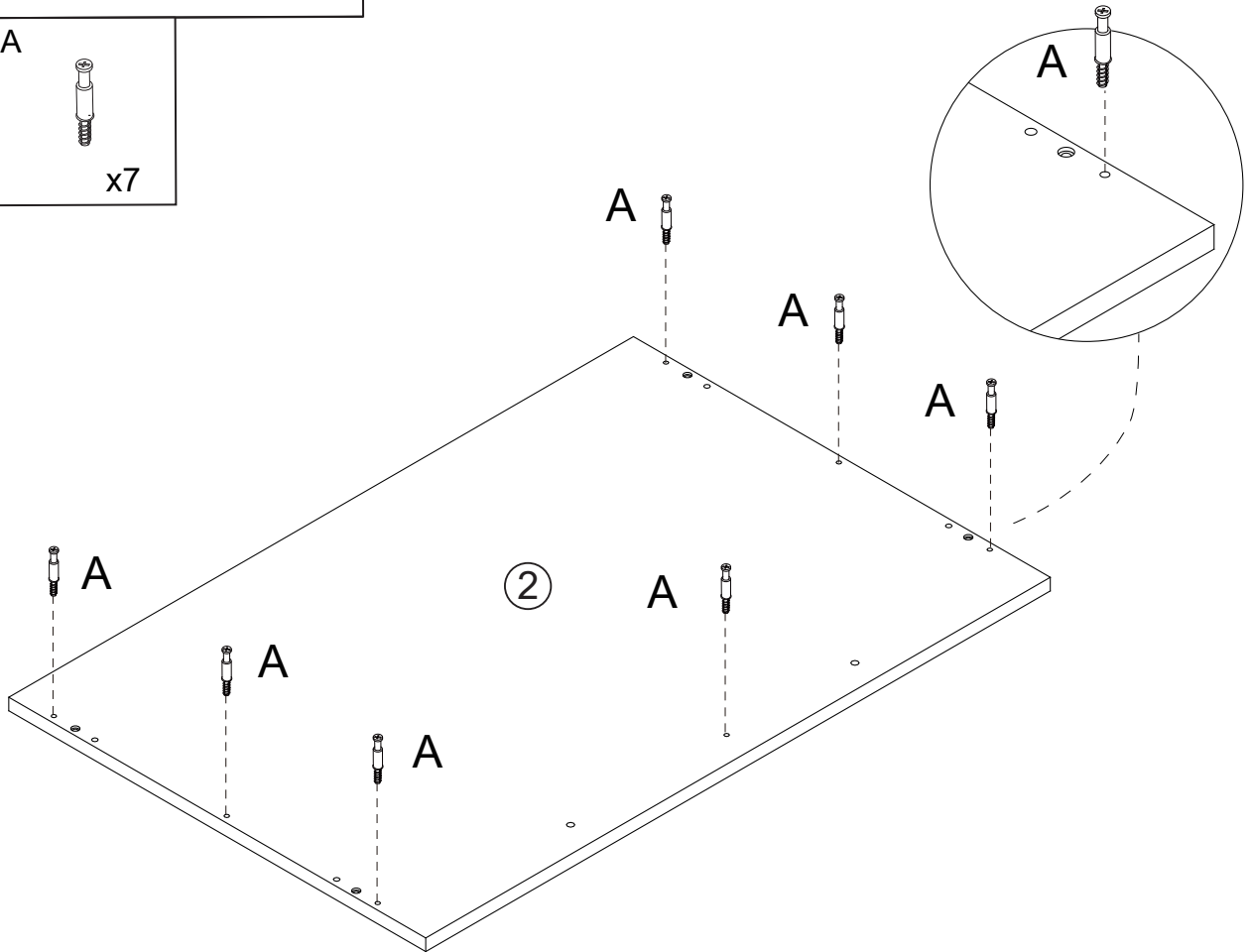
19

You will need

A



x7



20

You will need

C

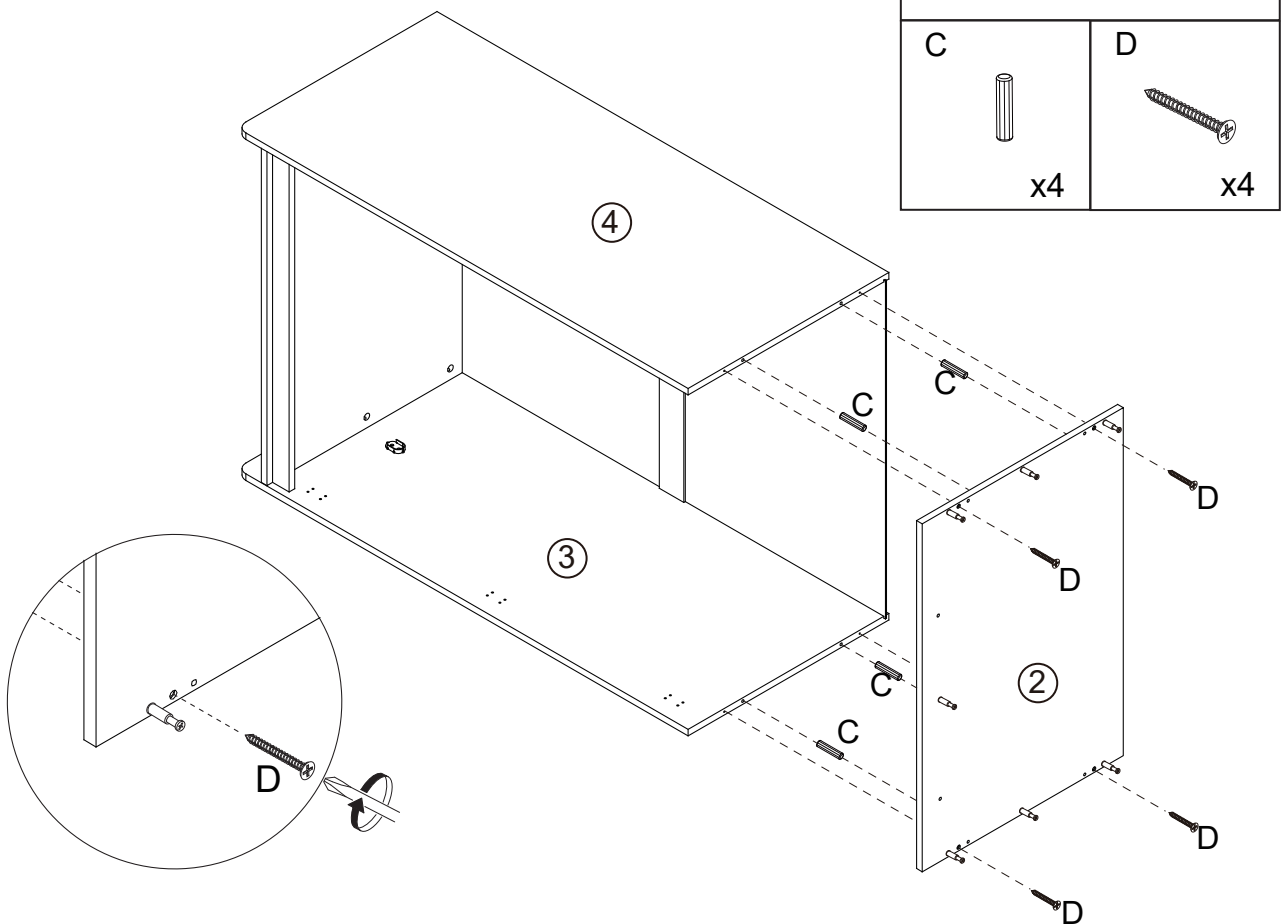


x4

D



x4



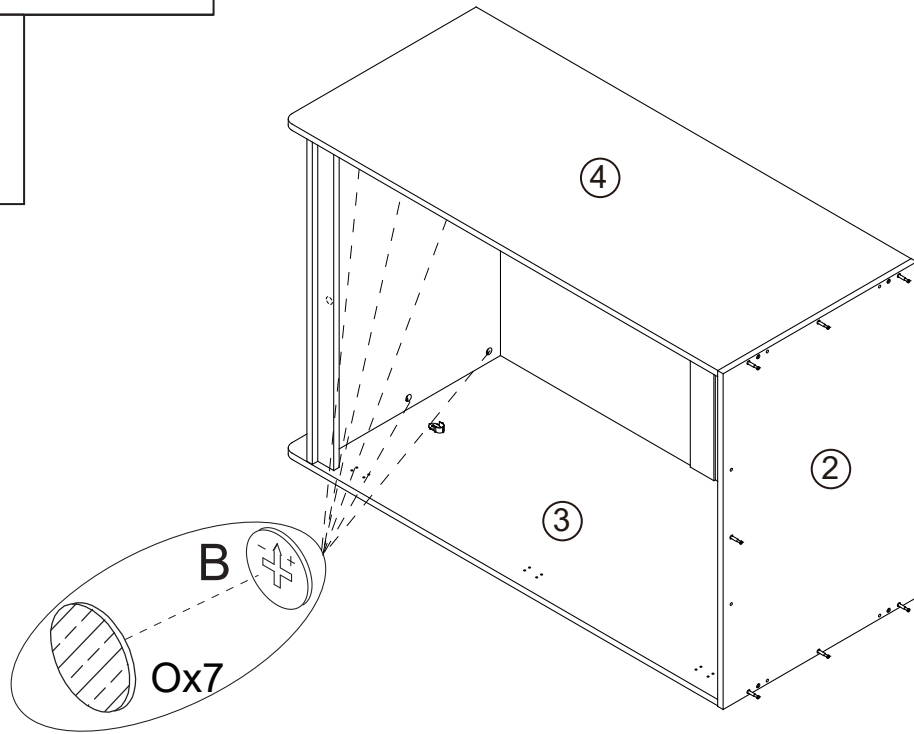
21

You will need

O



x7



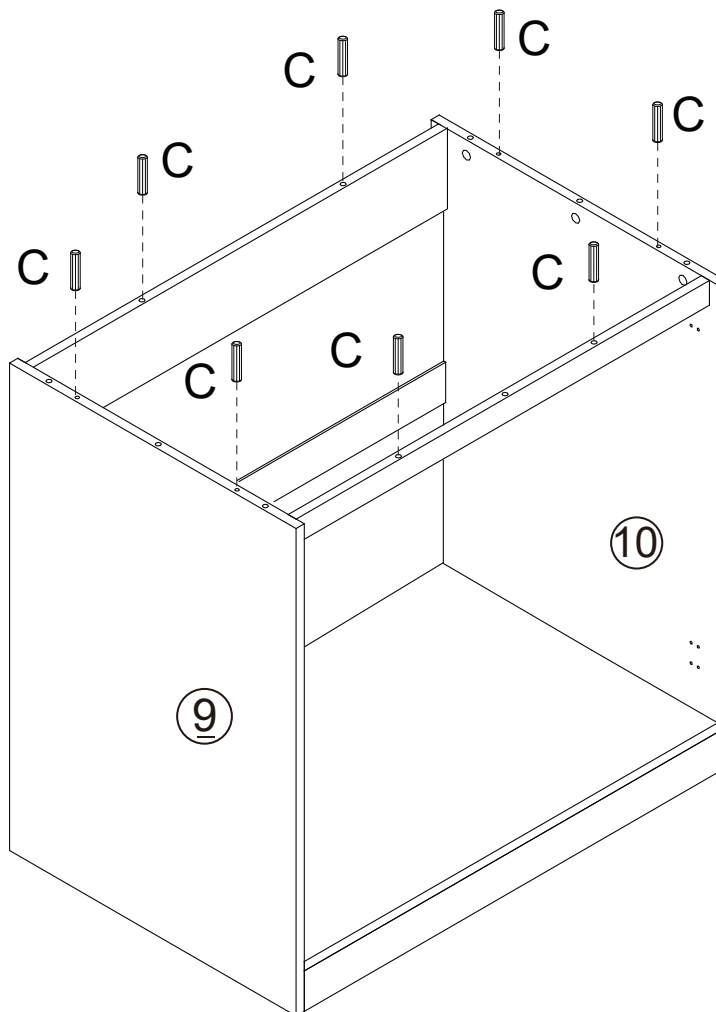
22

You will need

C



x8



23

You will need

O

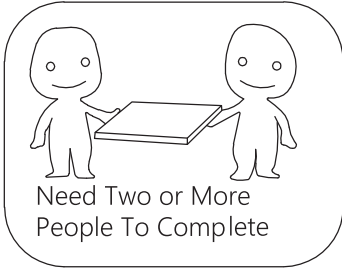


x7

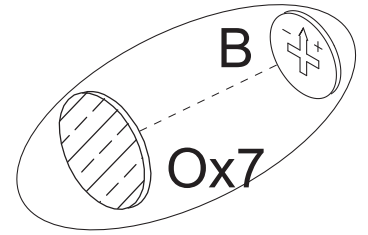
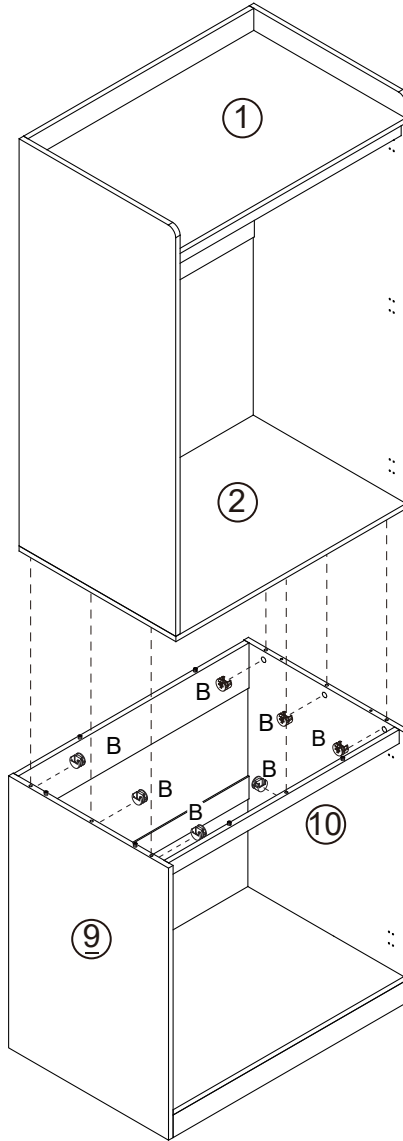
B



x7



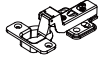
Need Two or More People To Complete



24

You will need

N

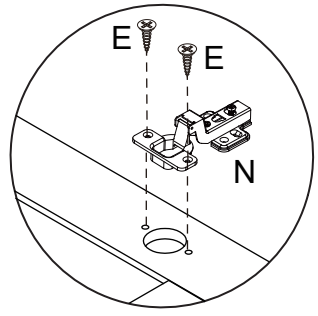
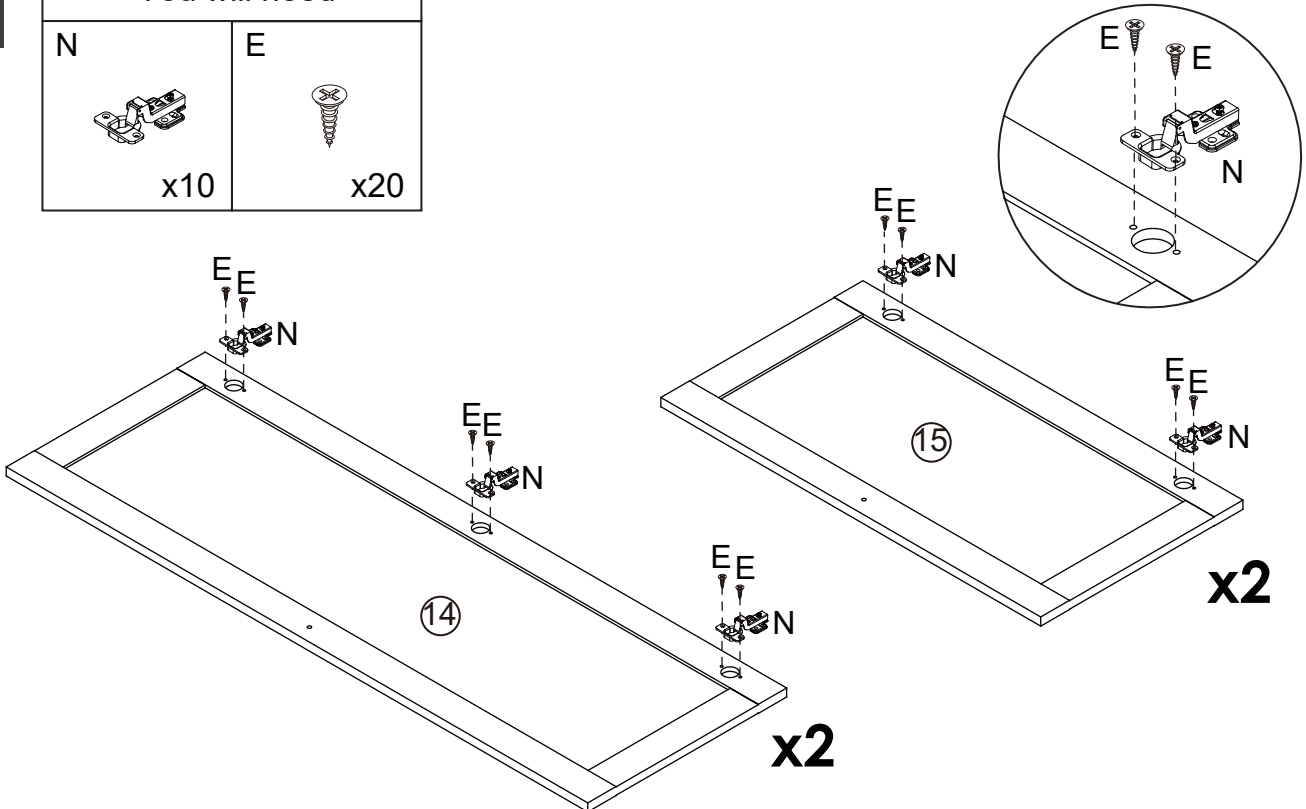


x10

E



x20



25

You will need

I



x4

M



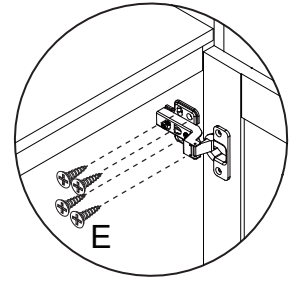
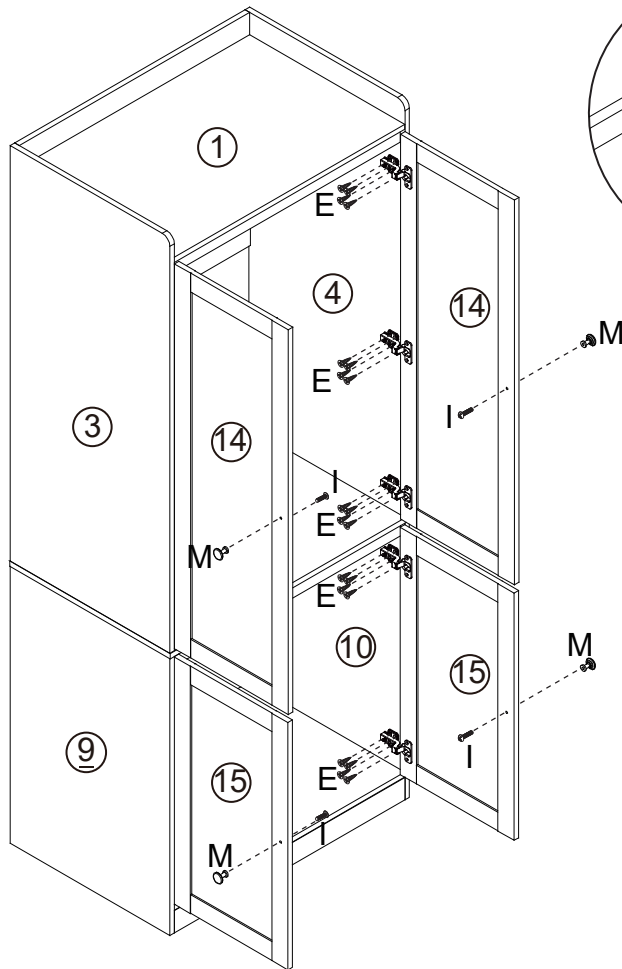
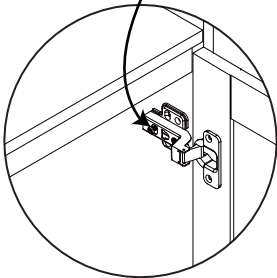
x4

E



x40

NOTE: If the doors are uneven or there is a gap in the middle, loosen or tighten the screw on the door hinge until they are sitting flush.



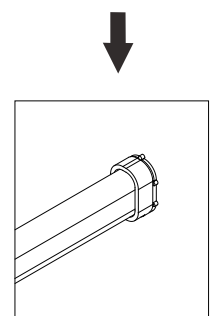
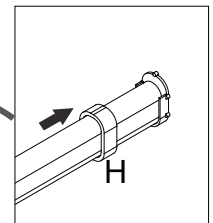
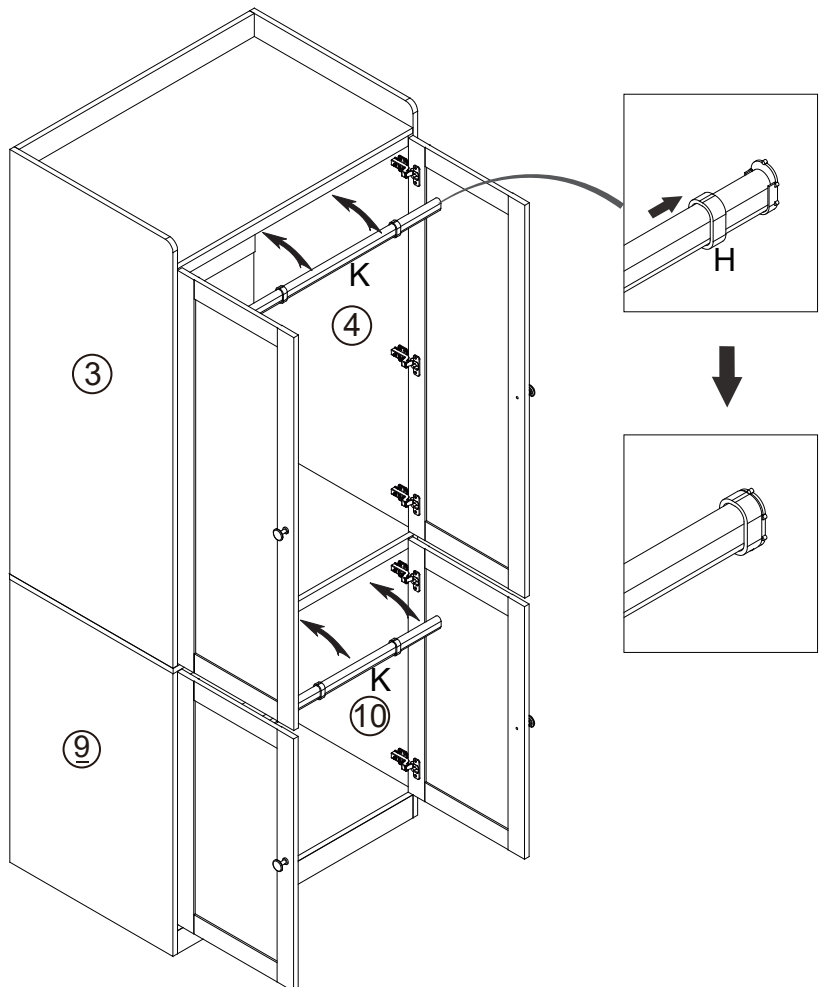
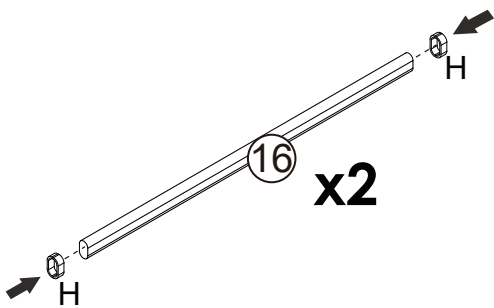
26

You will need

H



x4



You will need

K

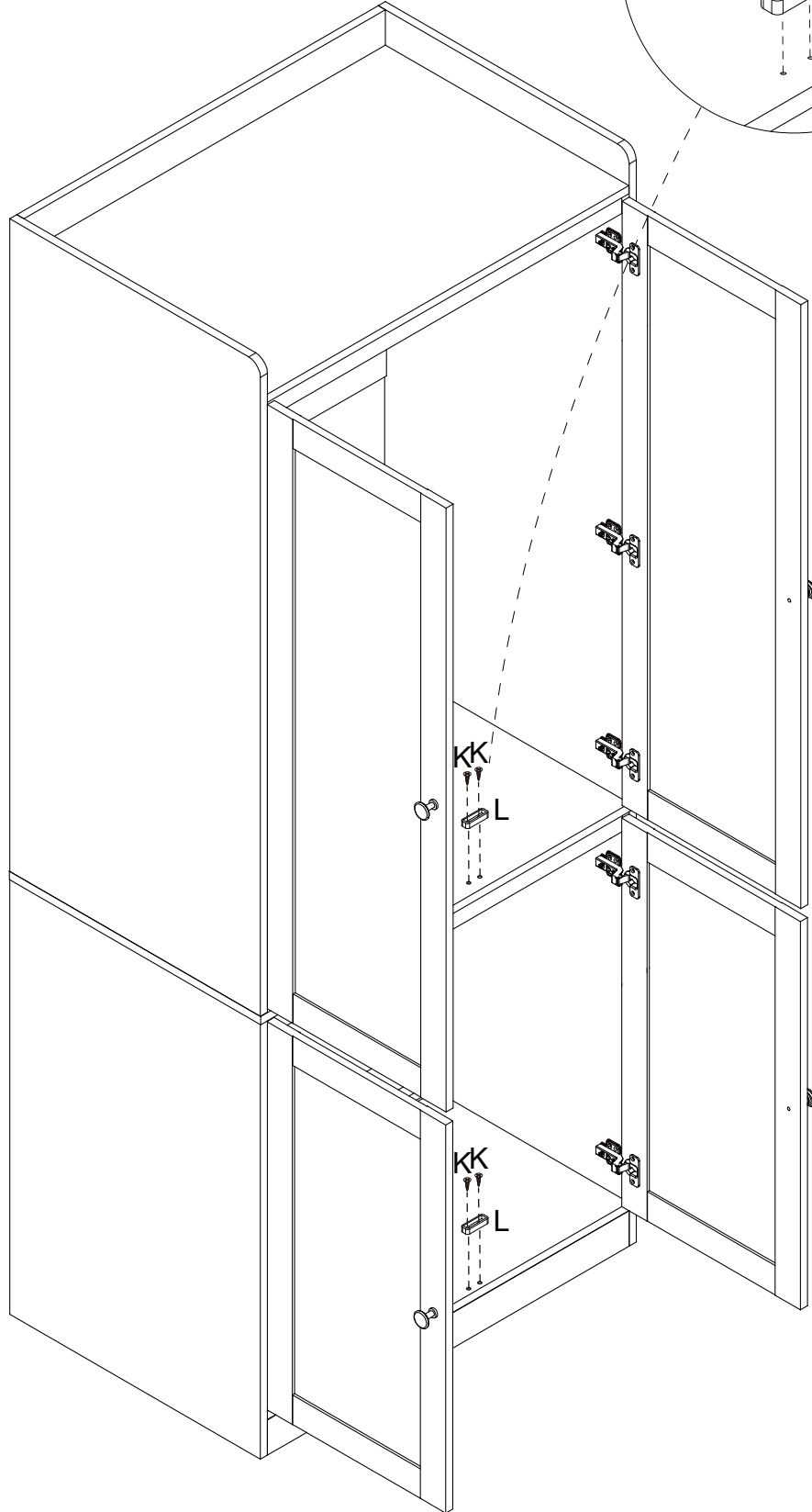
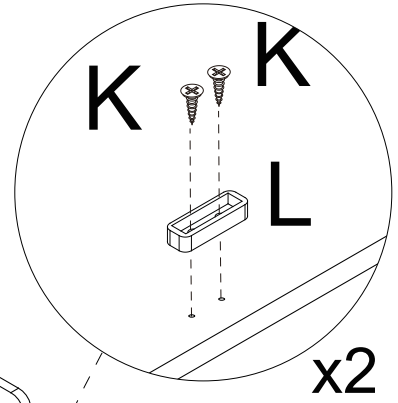


x4

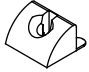


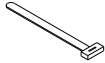



L

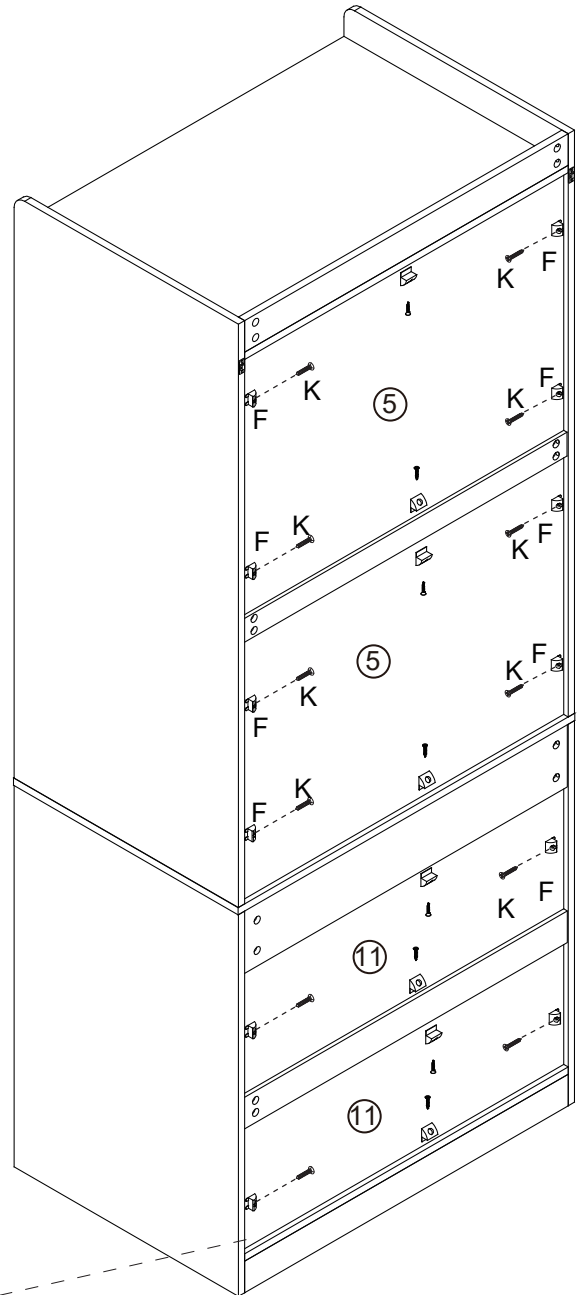
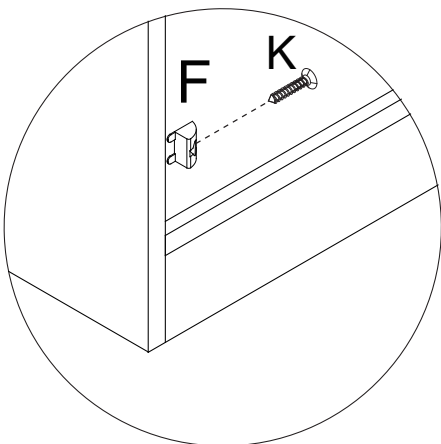
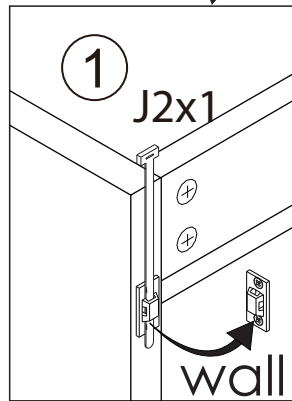
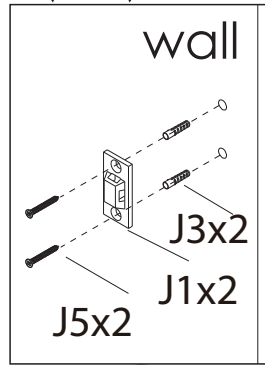
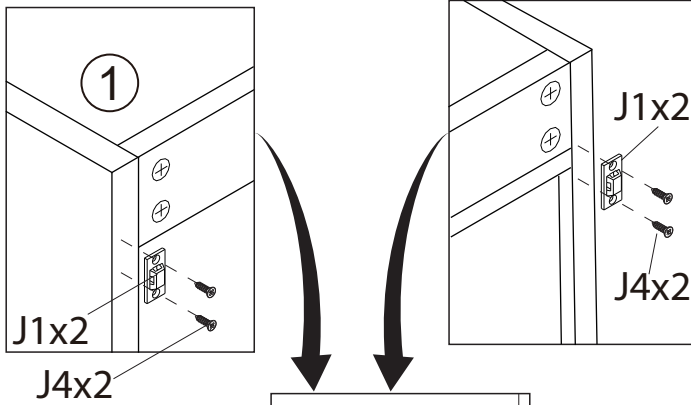


x2



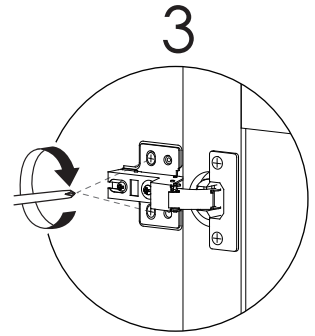
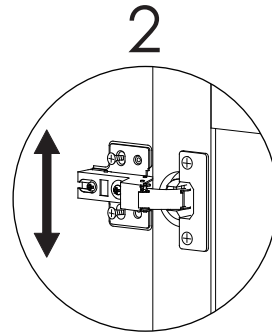
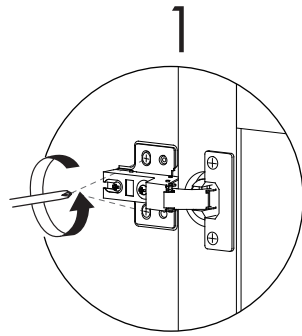
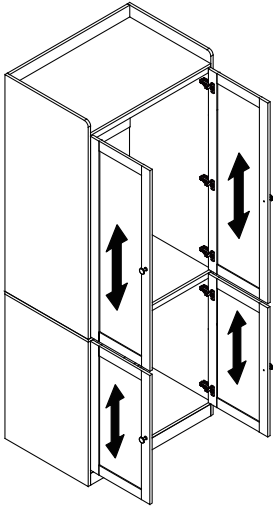
You will need

<p>F</p>  <p>x20</p>	<p>K</p>  <p>x20</p>	<p>J</p>  <p>J1x2</p>  <p>J2x1</p>  <p>J3x2</p>  <p>J4x2</p>  <p>J5x2</p> <p>x2</p>				
---	---	--	--	--	--	--

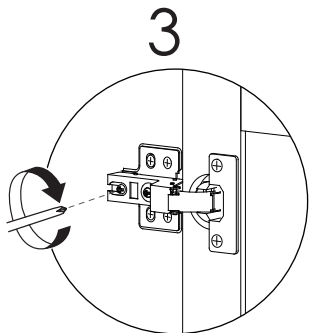
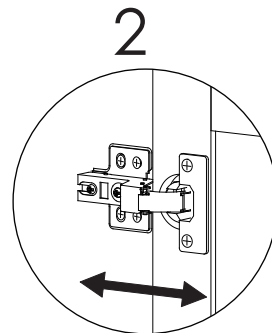
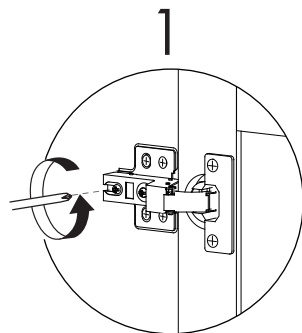
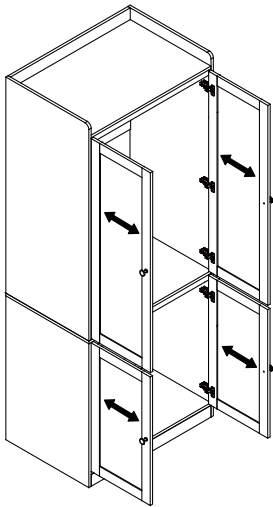




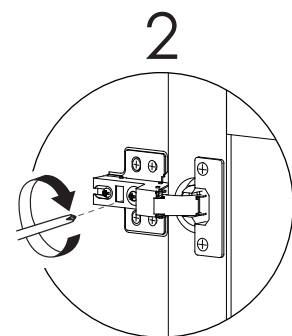
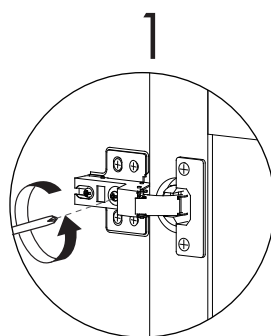
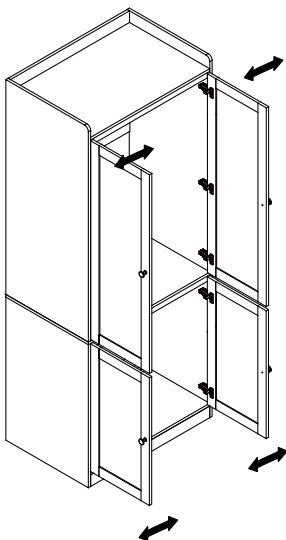
NOTE :If you notice that the cabinet doors are not properly aligned, such as significant gaps or vertical or horizontal misalignment, please adhere to the following adjustment instructions.



lose these 2 screws move hinge up/down tighten these 2 screws again

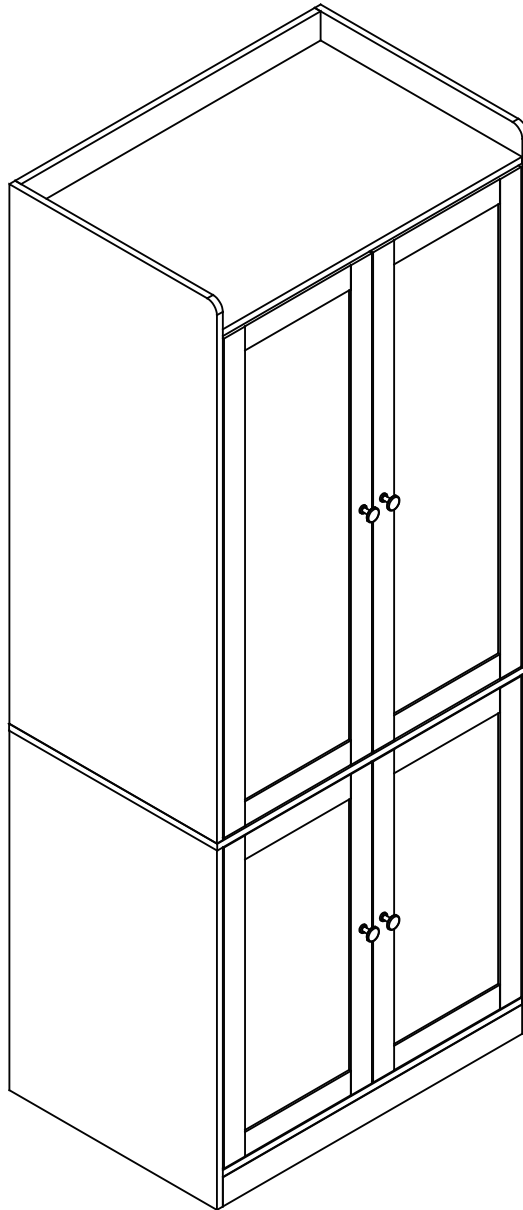


lose these screws shift hinge in/out tighten this screw again



lose this screw would get hinge/door closer to side board

tighten this screw would get hinge/door away from side board



GUARANTEE

Storage Cabinet offers a **90-days** warranty that begins on the date of the original purchase and applies to problems caused by the manufacturer. For questions, assistance, or support, please contact the Customer Service by e-mail with your order number and details. We will send you further information about the solution.