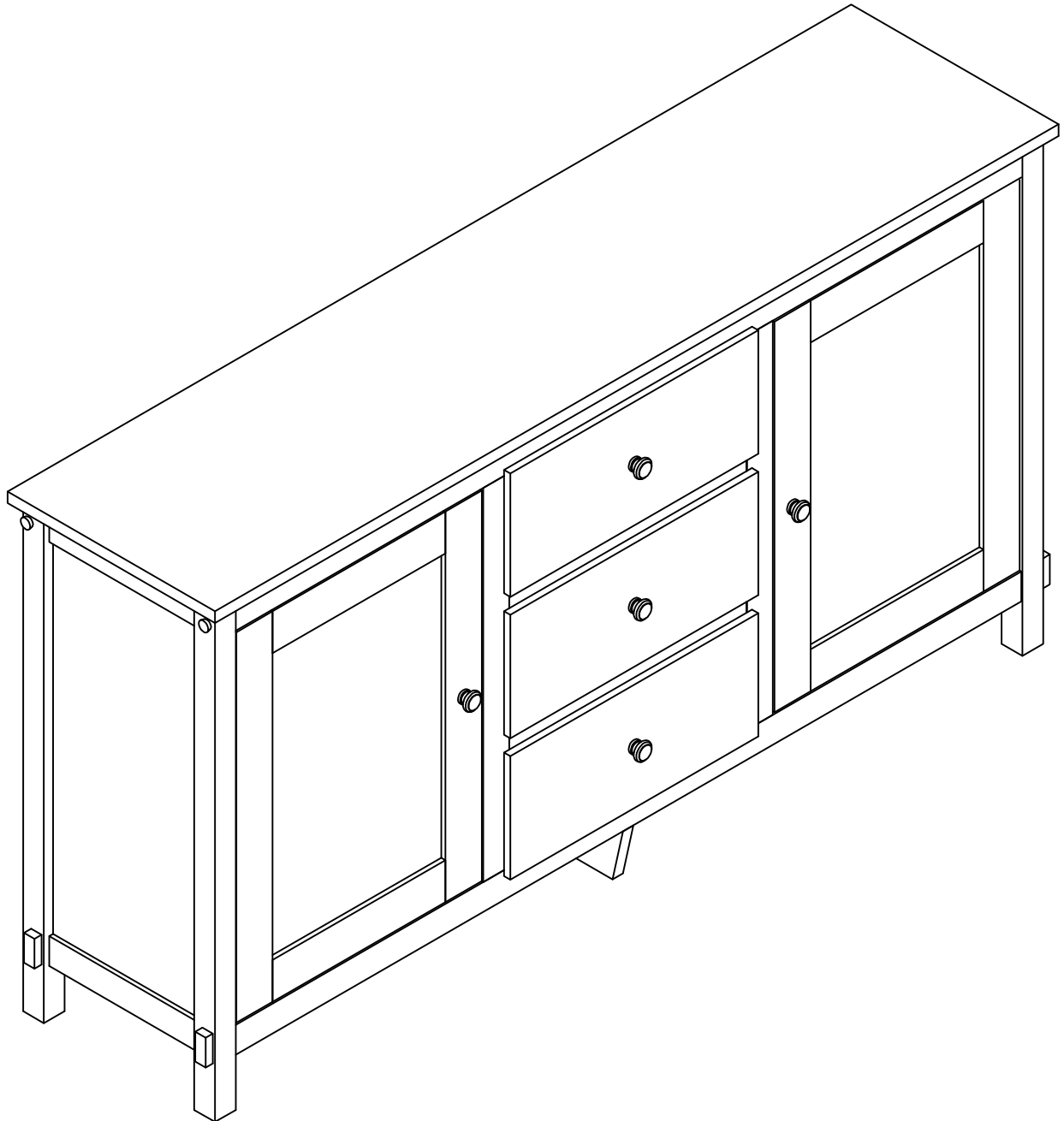
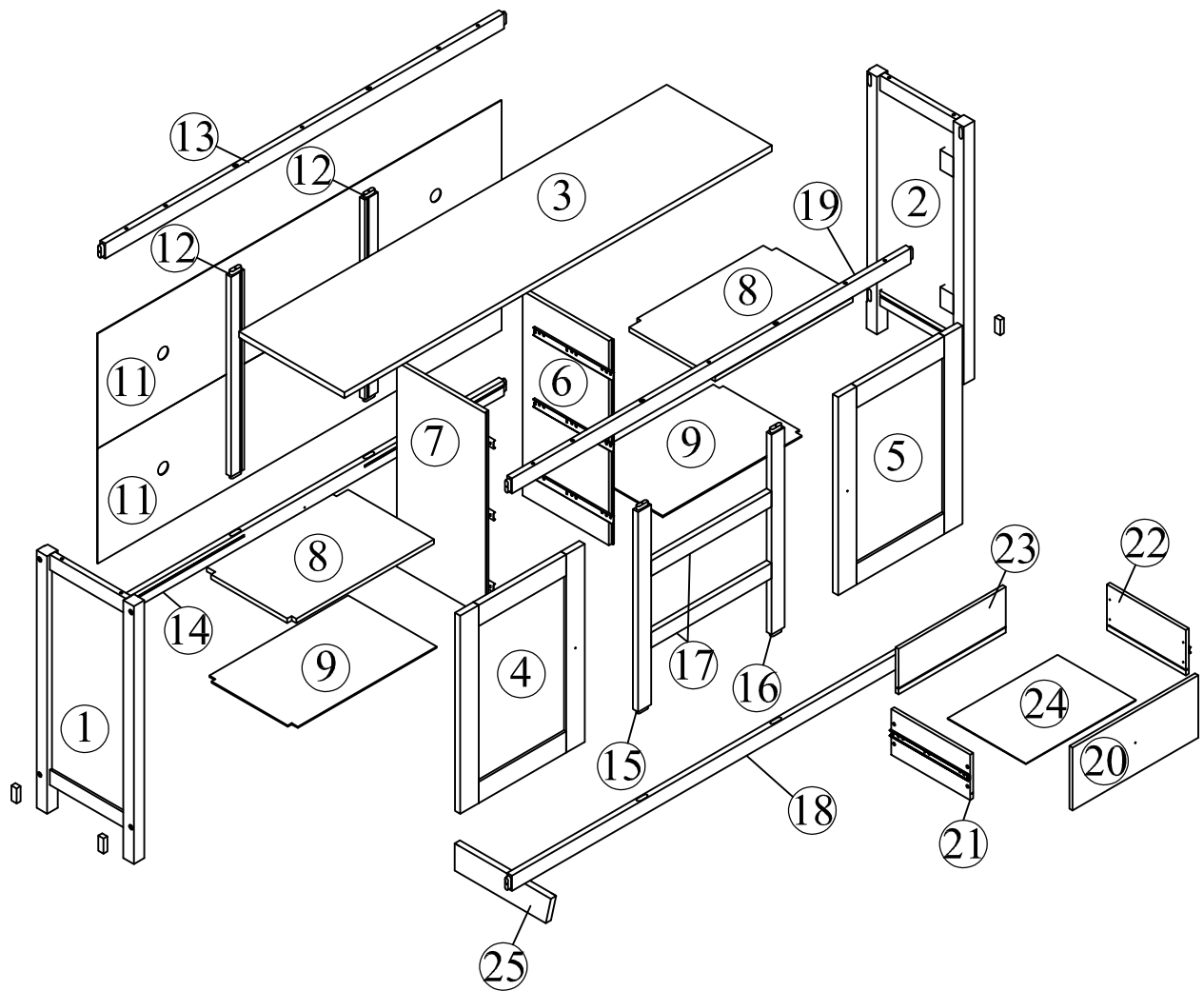



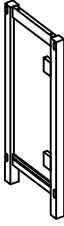
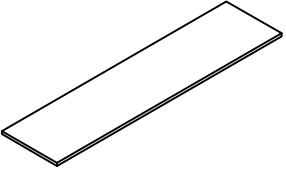
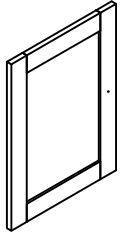
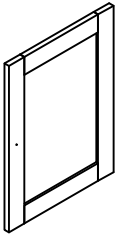

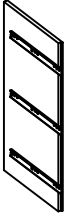
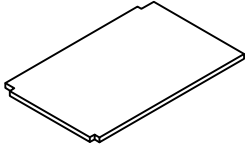
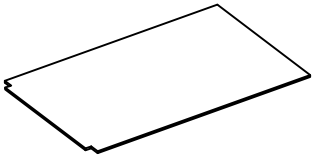
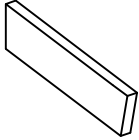
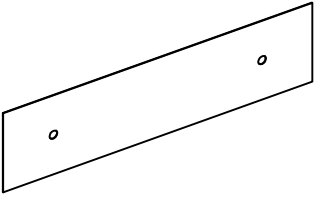
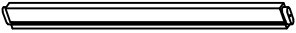
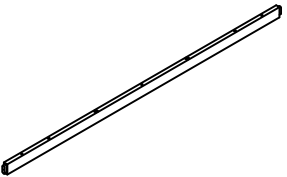
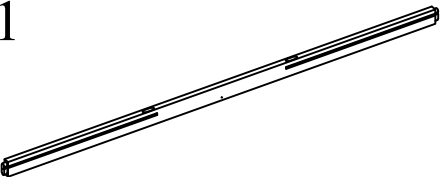
# ASSEMBLY INSTRUCTION



DETAIL VIEW:

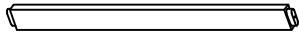


## Part List

<p>① x1</p>  <p><b>Left Side Cabinet</b></p>	<p>② x1</p>  <p><b>Right Side Cabinet</b></p>
<p>③ x1</p>  <p><b>Top Cabinet</b></p>	<p>④ x1</p>  <p><b>Left Door</b></p>
<p>⑤ x1</p>  <p><b>Right Door</b></p>	<p>⑥ x1</p>  <p><b>Middle Cabinet Panel</b></p>
<p>⑦ x1</p>  <p><b>Middle Cabinet Panel</b></p>	<p>⑧ x2</p>  <p><b>Shelf</b></p>
<p>⑨ x2</p>  <p><b>Bottom Cabinet</b></p>	<p>⑫ x1</p>  <p><b>Support Leg</b></p>
<p>⑪ x2</p>  <p><b>Back Cabinet</b></p>	<p>⑫ x2</p>  <p><b>Frame Cabinet</b></p>
<p>⑬ x1</p>  <p><b>Frame Cabinet</b></p>	<p>⑭ x1</p>  <p><b>Frame Cabinet</b></p>

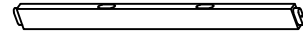
## Part List

15 x1



Frame Cabinet

16 x1



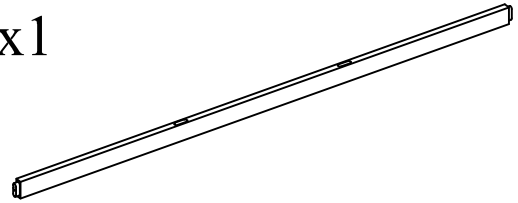
Frame Cabinet

17 x2



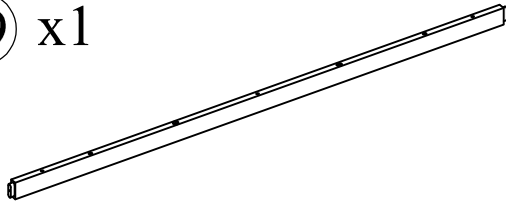
Frame Cabinet

18 x1



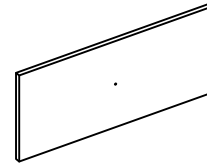
Frame Cabinet

19 x1



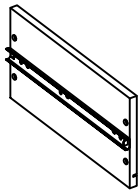
Frame Cabinet

20 x3



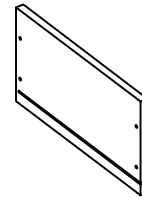
Front Drawer

21 x3



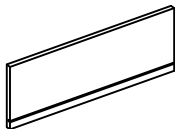
Left Side Drawer

22 x3



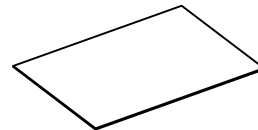
Right Side Drawer

23 x3






















Back Side Drawer

24 x3

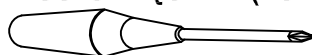


Bottom Side Drawer


## Hardware List

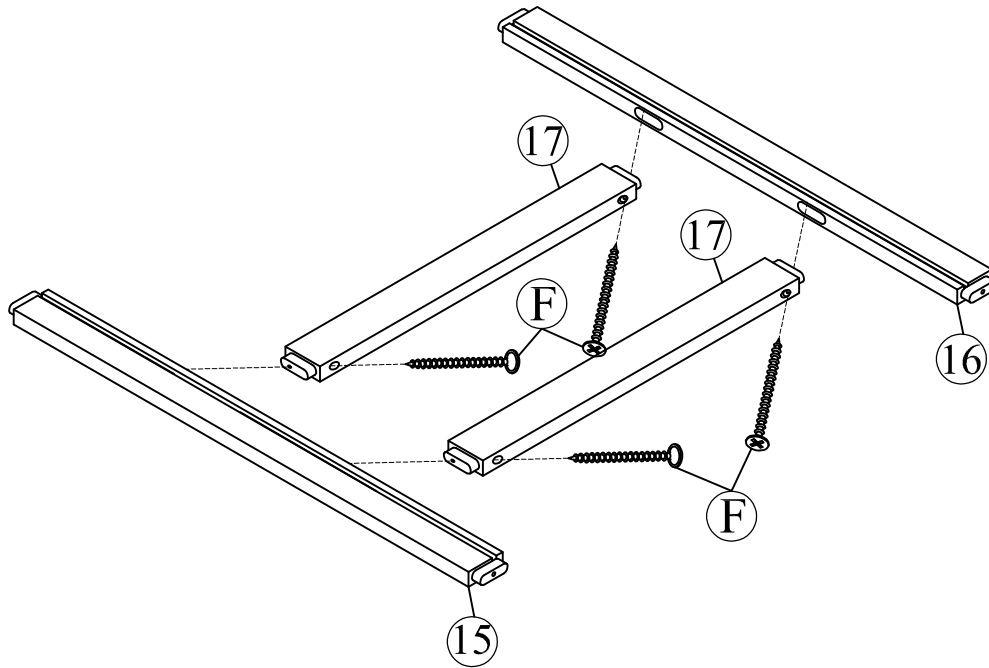
No.	OUTLOOK	DESC	QTY
(A)		Dowel Ø10*30mm	8
(B)		Screws #7*12mm	4
(C)		Screws #7*20mm	32
(D)		Round head screw #8*20mm	24
(E)		Screws #8*25mm	24
(F)		Screws #8*60mm	4
(Z)		Screws #7*15mm	16
(J)		Base L	2
(M)		Inhaler Magnet	2
(N)		Door Hinge	4
(O)		Iron round pin Ø5*20mm	8
(P)		Knob	5
(Q)		Nut wood	4
(R)		Nut wood	4
(T)		Screws Ø6.5*50mm	8
(U)		Screws Ø6.5*60mm	8
(V)		Allen key 60*22*4mm	1
(W)		Bolts 1/4"*15mm	4
(Y)		Base L	8

ASSEMBLY TOOLS REQUIRED (NOT INCLUDED)



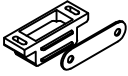



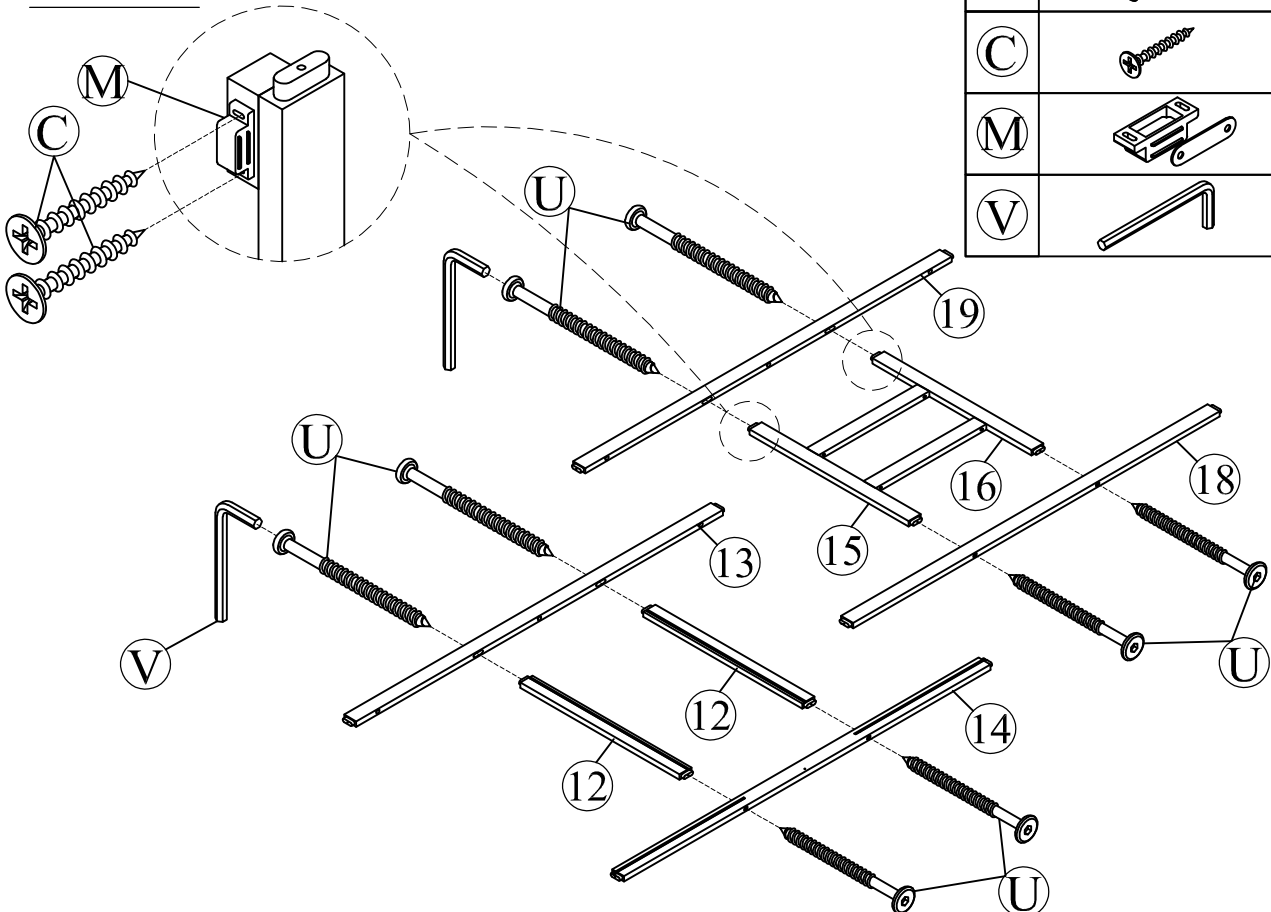
**STEP 1:**

(F)		04
-----	---	----

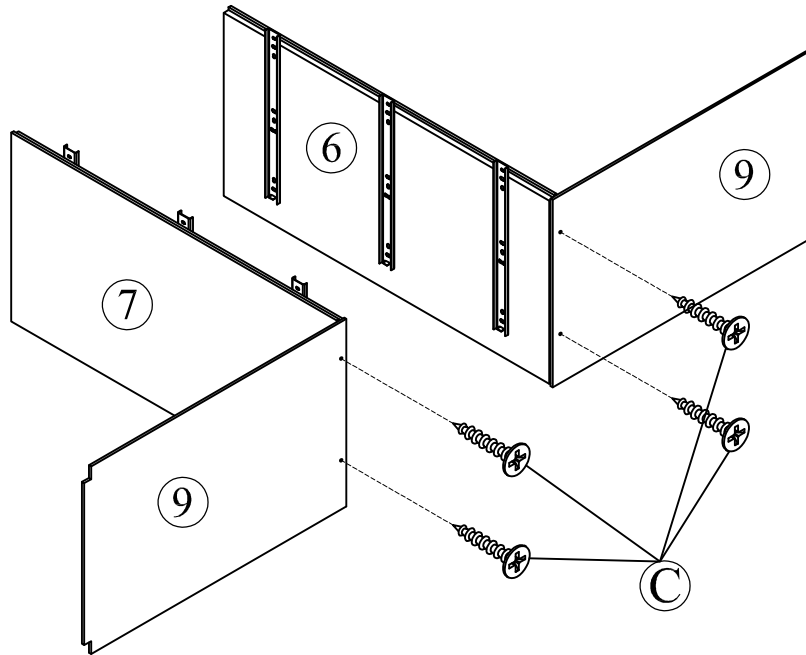


**STEP 2:**

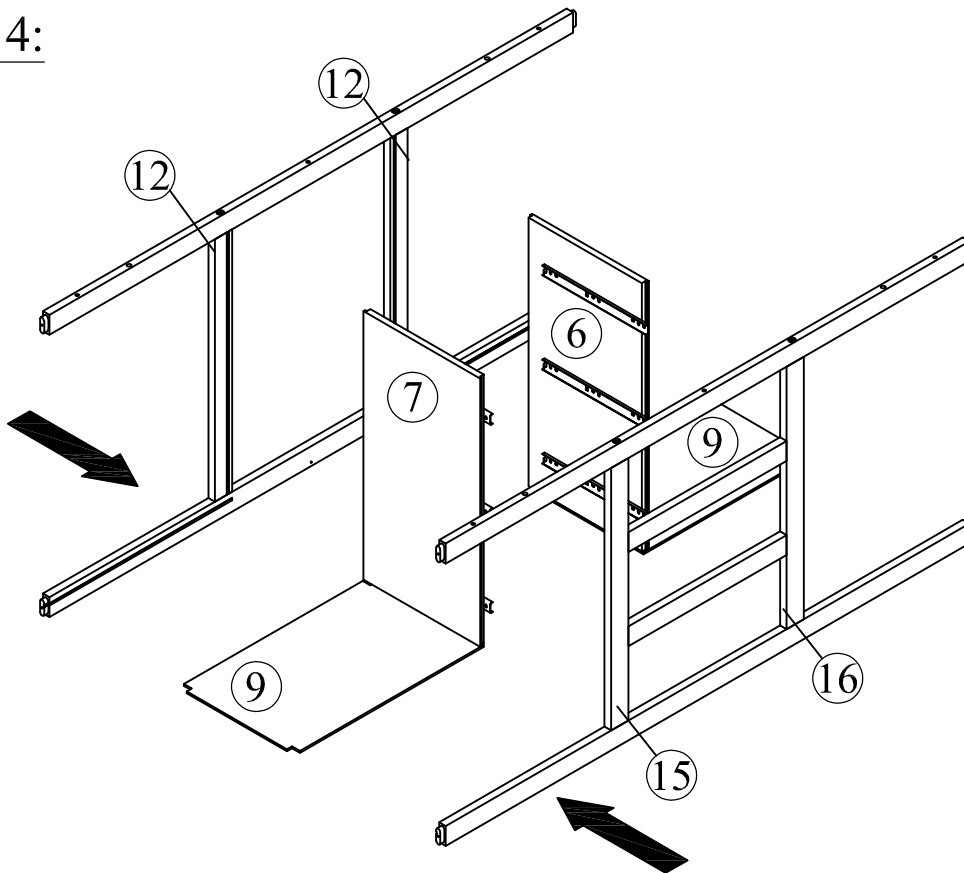
(U)		08
(C)		04
(M)		02
(V)		01



STEP 3:





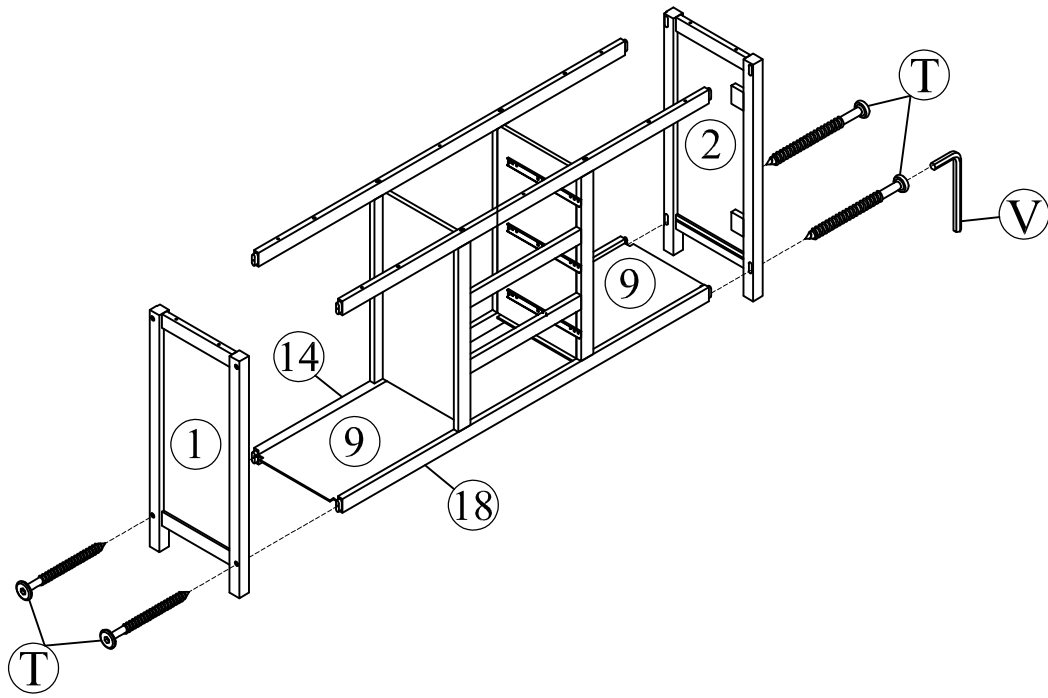
STEP 4:





Push the two assemblies in STEP 2 into the position of part 12-15-16. So that the parts fit into the pre-cut groove.

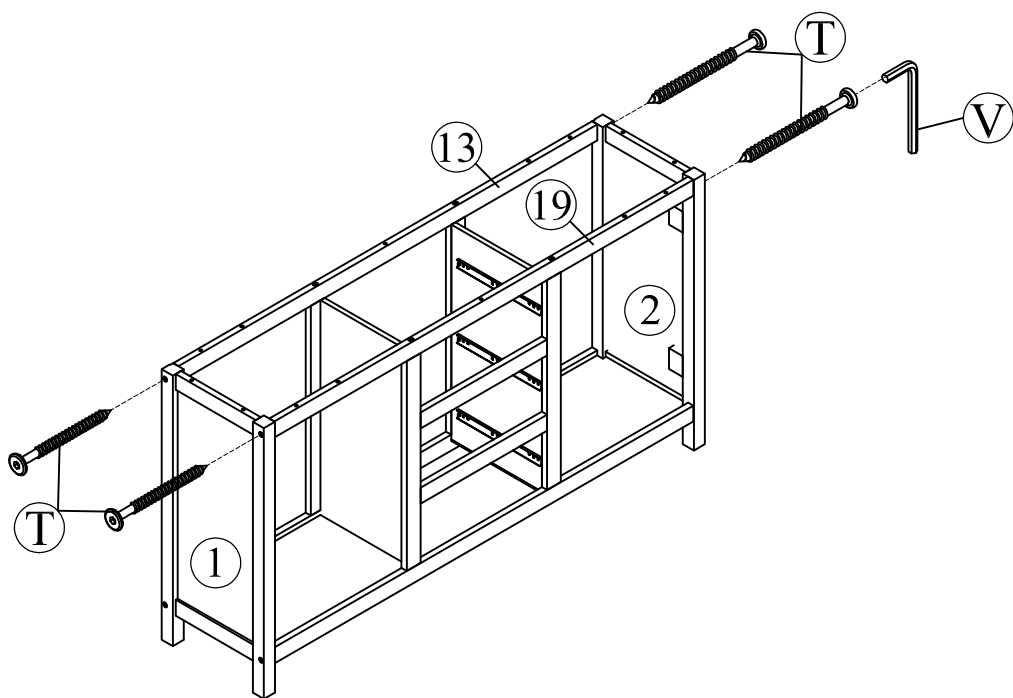
STEP 5:

(T)		04
(V)		01






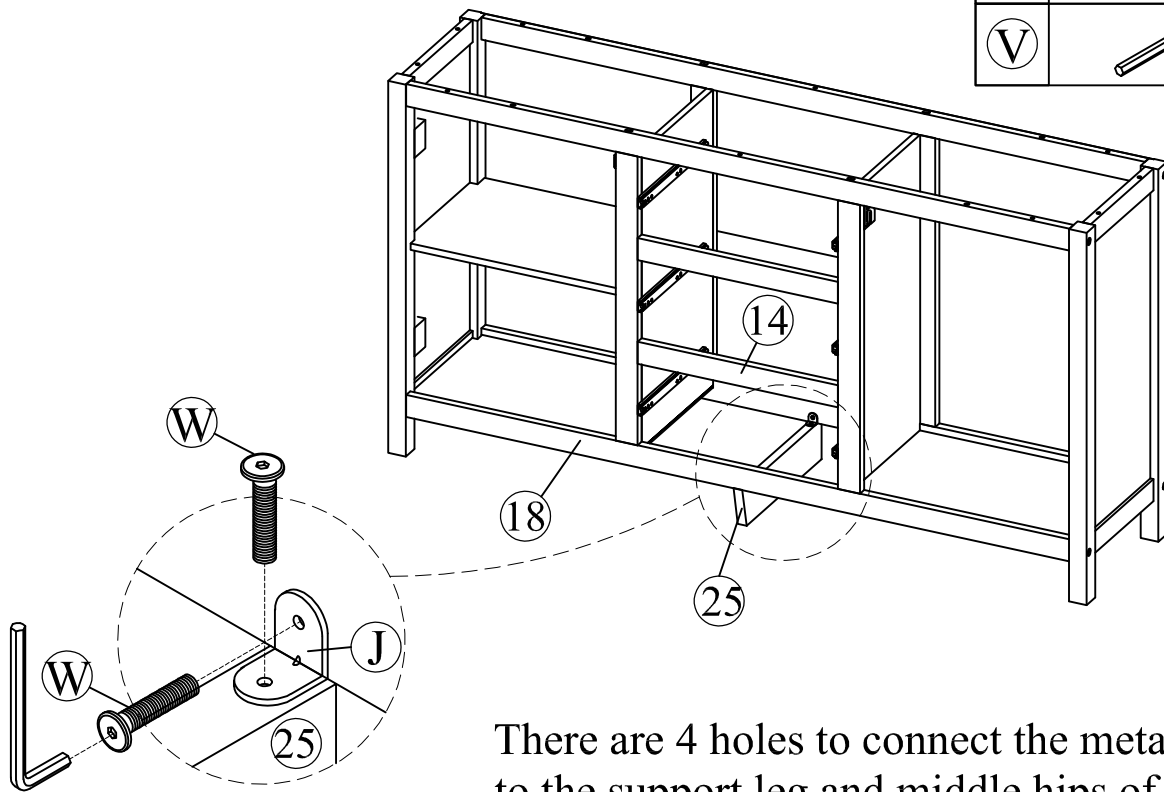
STEP 6:

(T)		04
(V)		01







**STEP 7:**

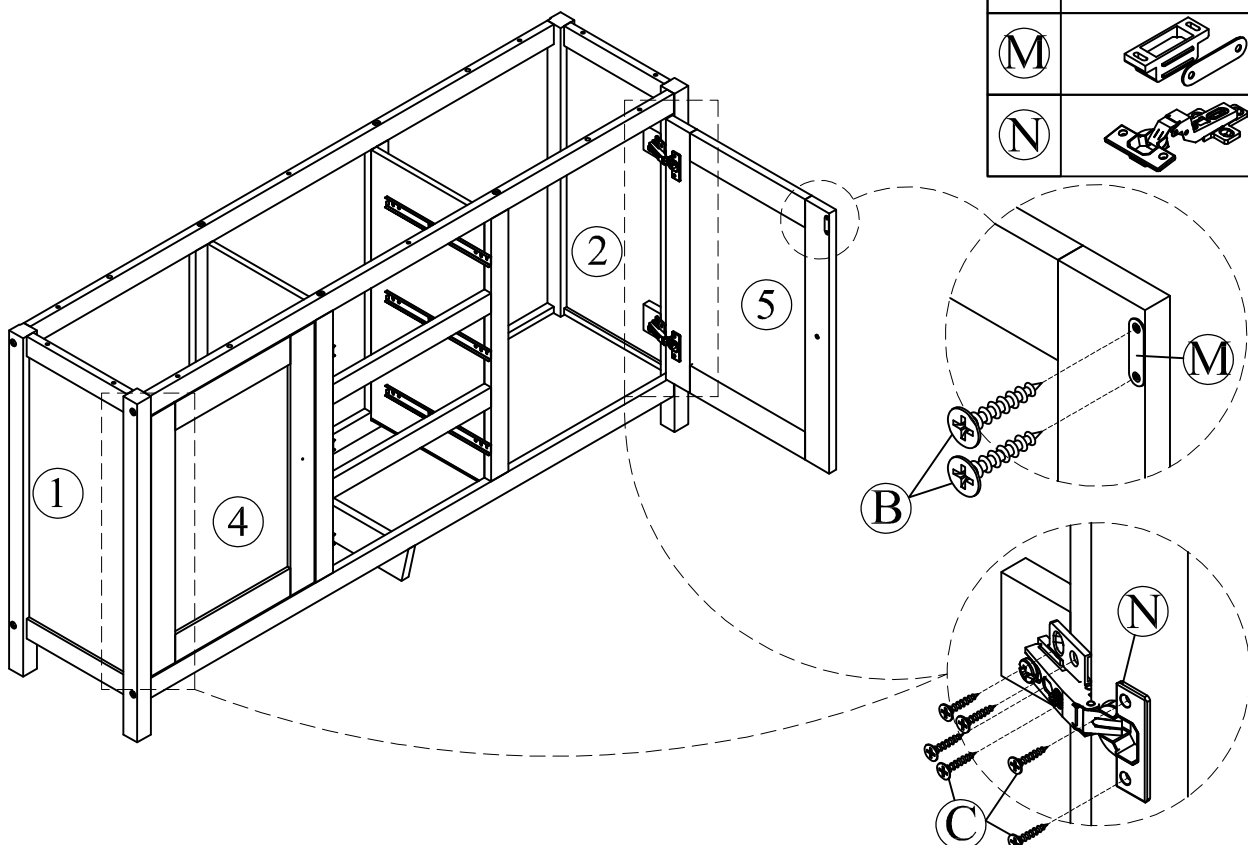
(J)		02
(W)		04
(V)		01



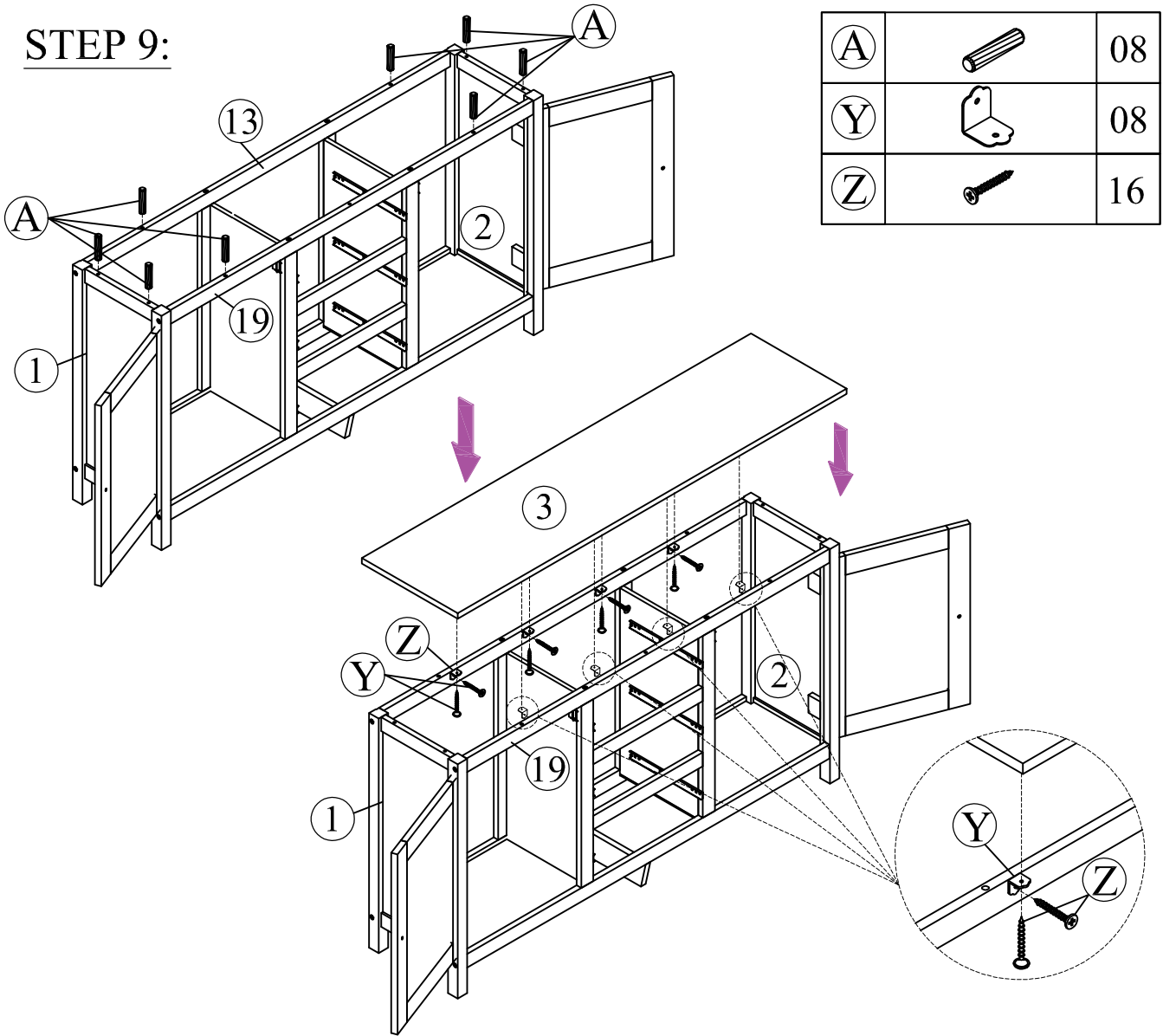
There are 4 holes to connect the metal base to the support leg and middle hips of the cabinet.

**STEP 8:**

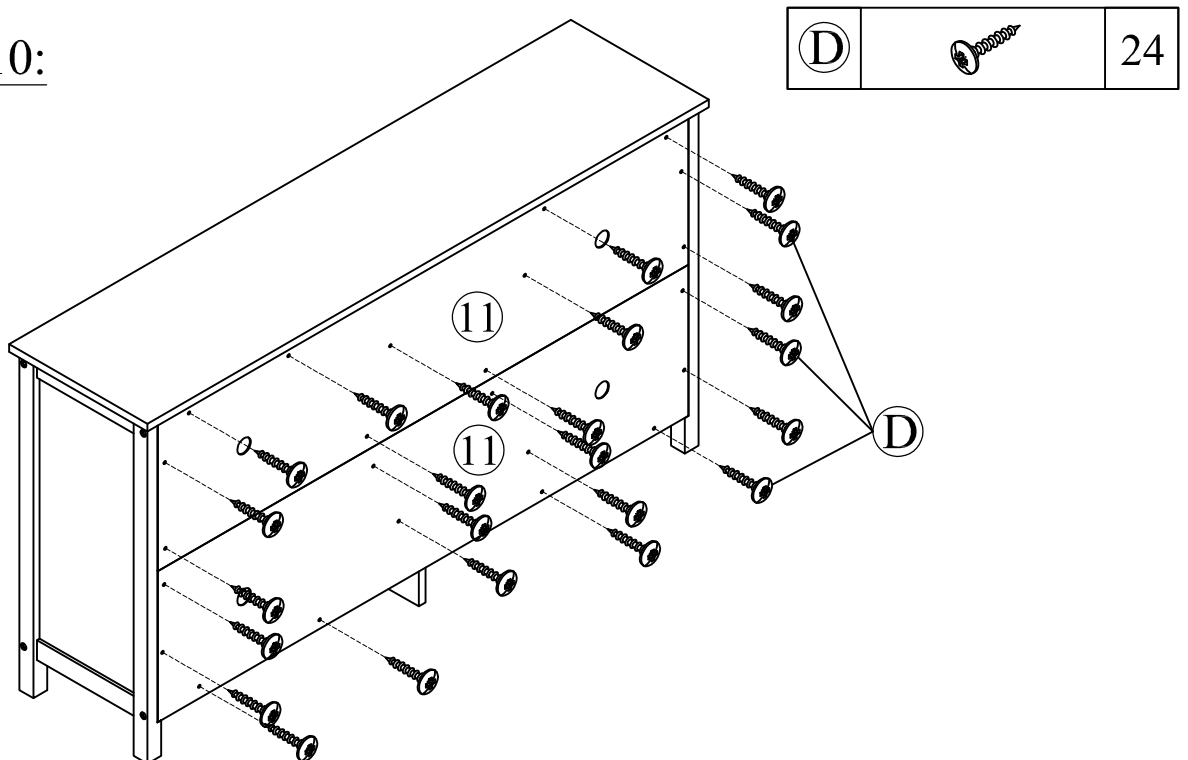
(B)		04
(C)		24
(M)		02
(N)		04




**STEP 9:**

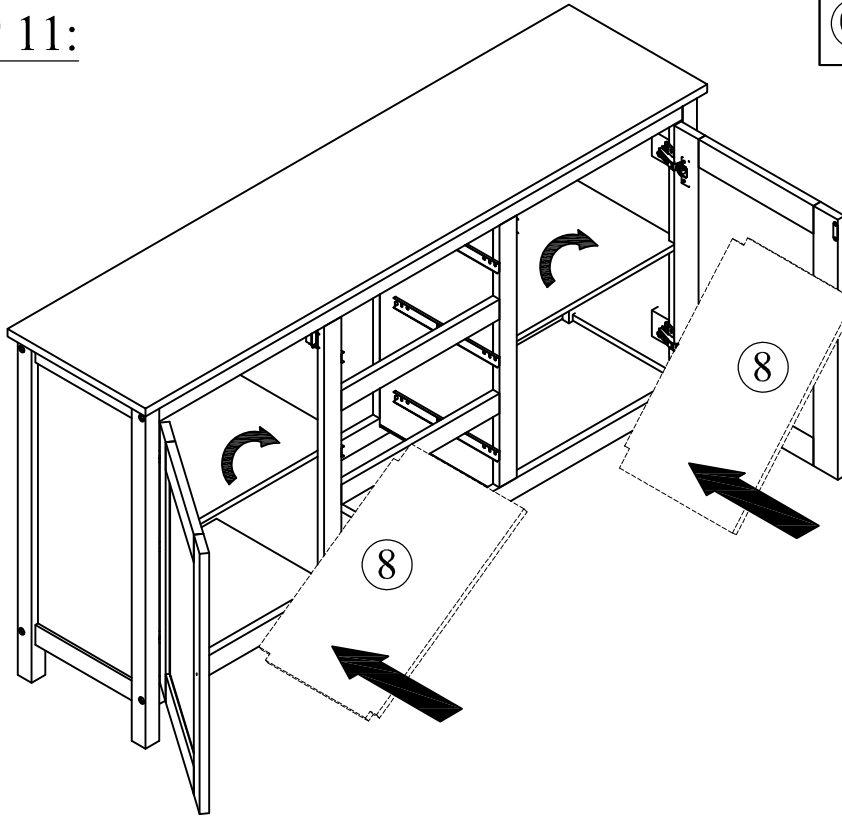


**STEP 10:**




**STEP 11:**

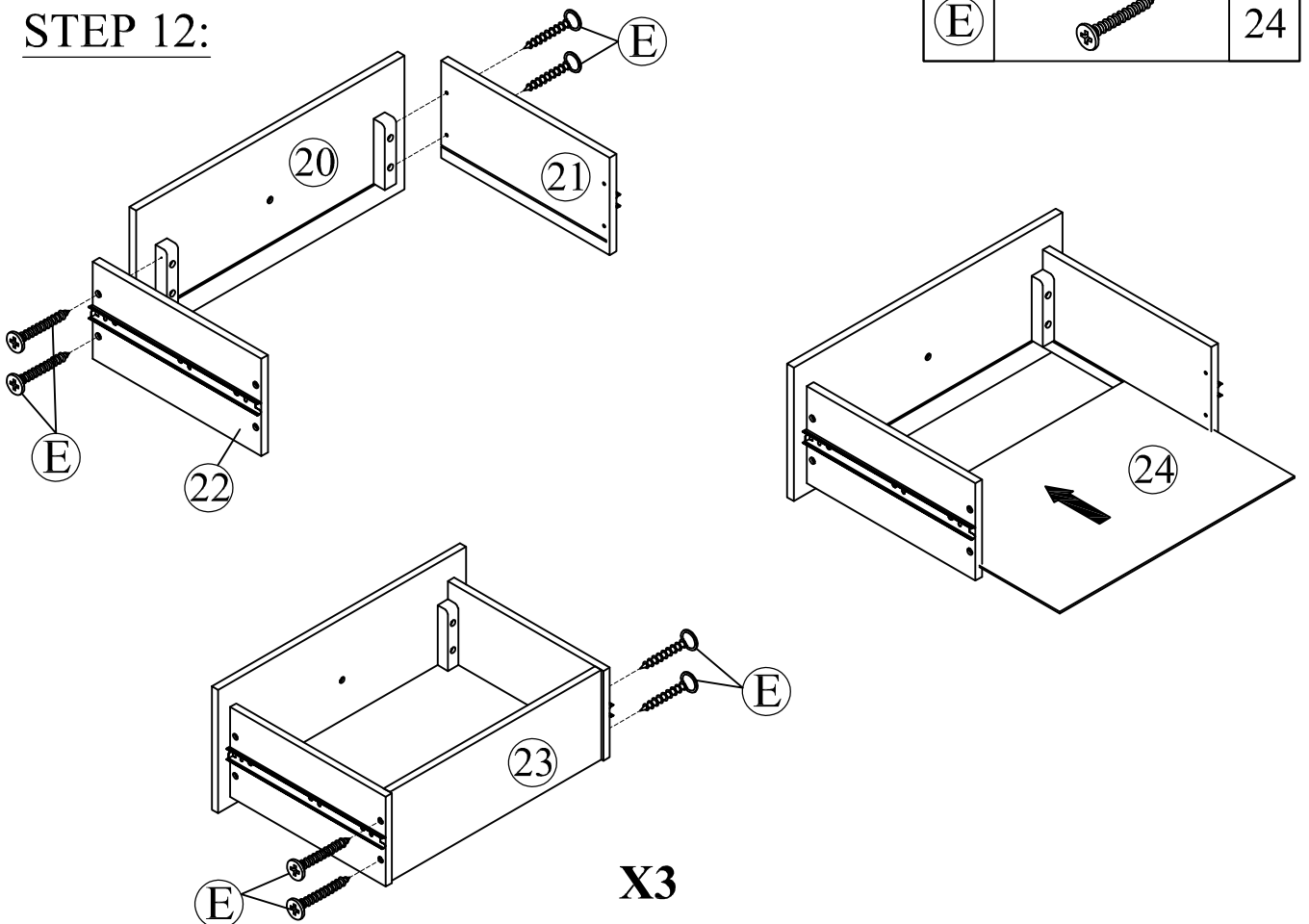
⊙		08
---	---	----



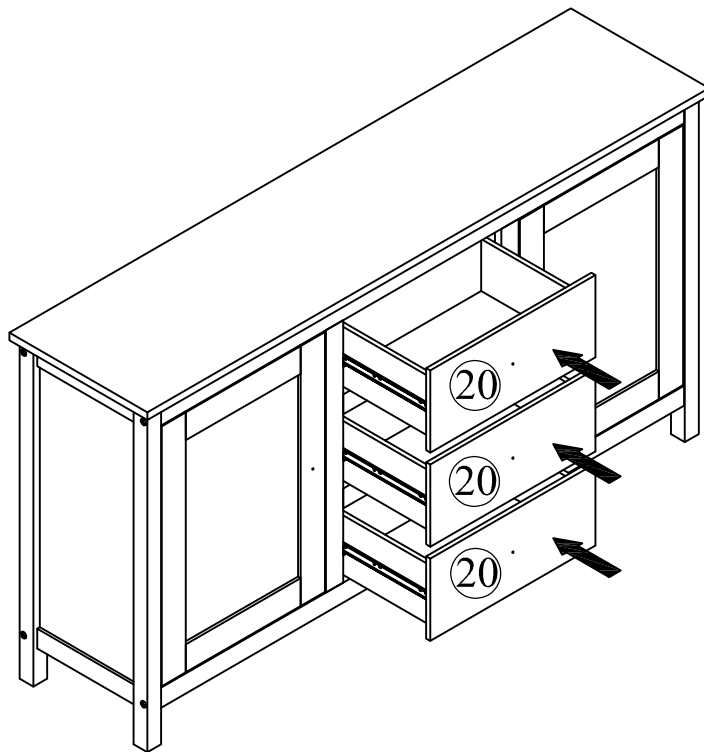
There are locating hole. Just leave the iron pin and fix the floorboard exactly as instructed (Left 4pcs, Right 4pcs)

**STEP 12:**




ⓔ		24
---	---	----

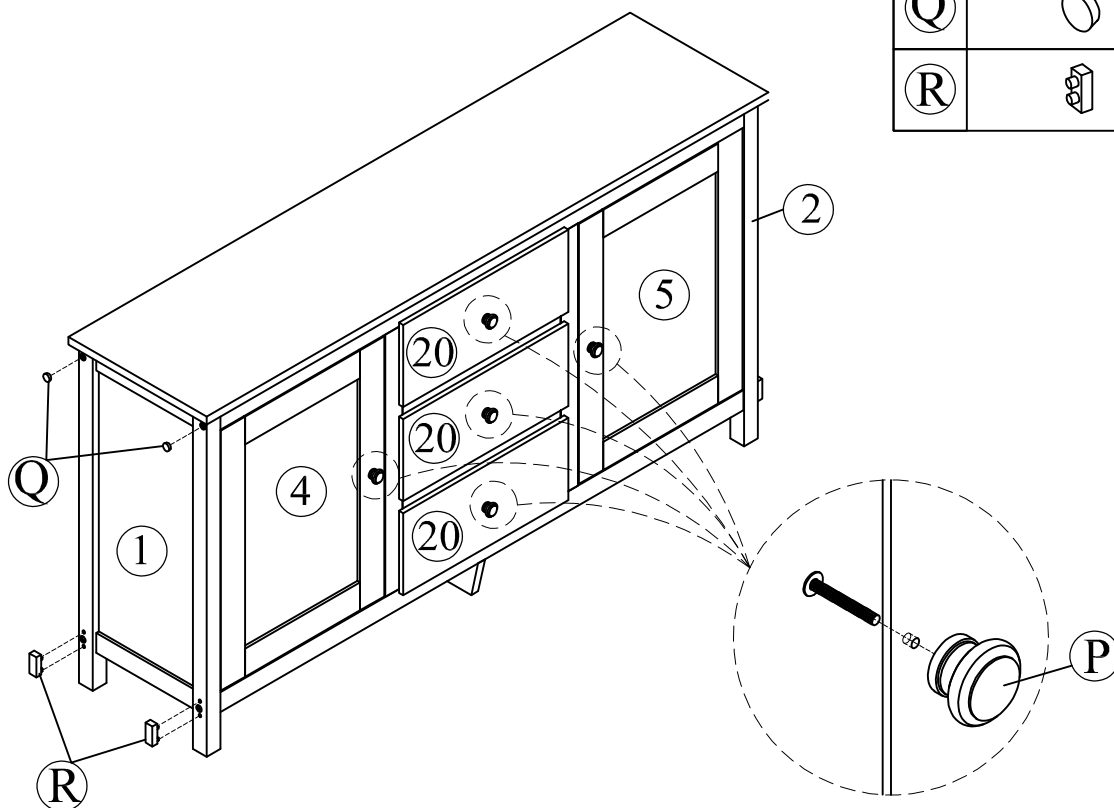


STEP 13:



STEP 14:

(P)		05
(Q)		04
(R)		04



FINAL:

