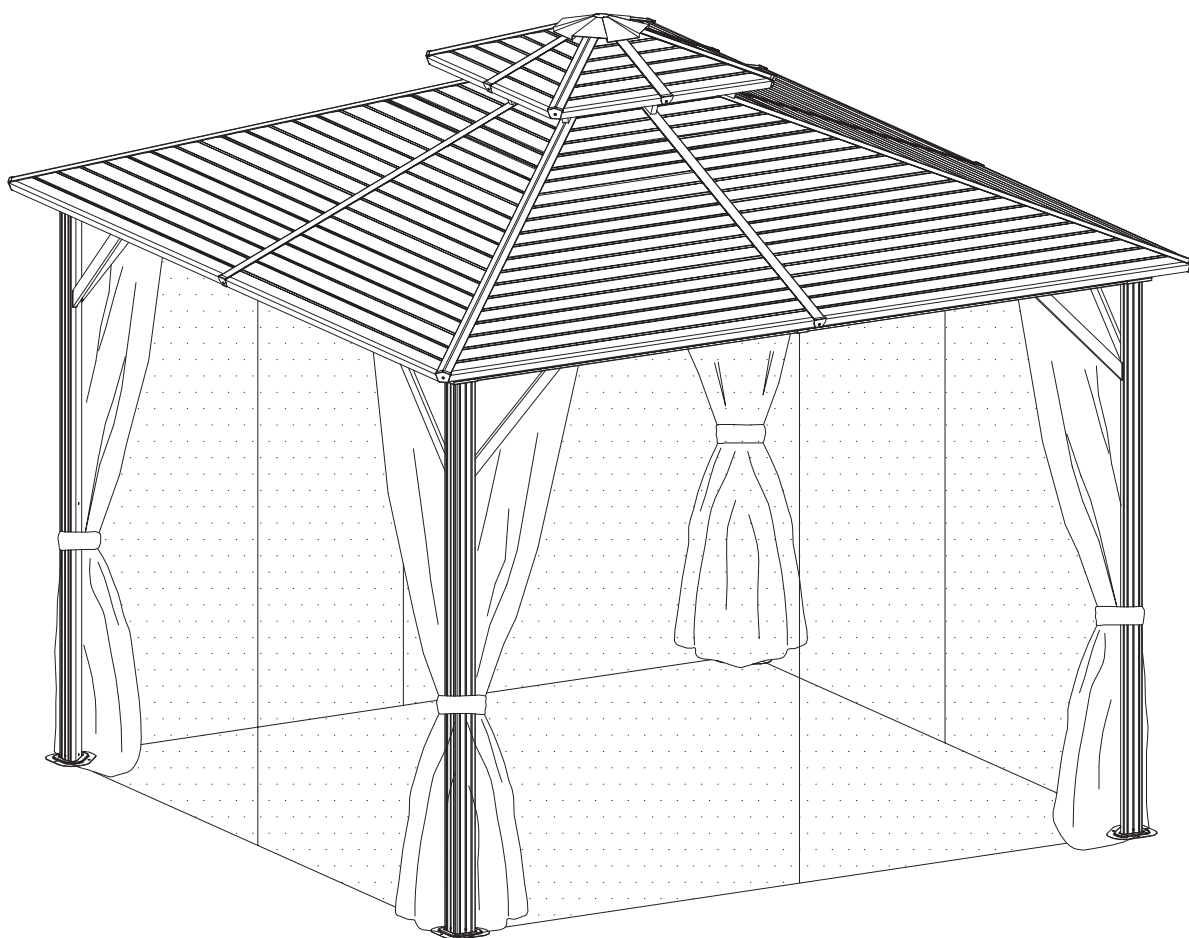




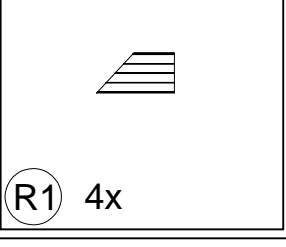
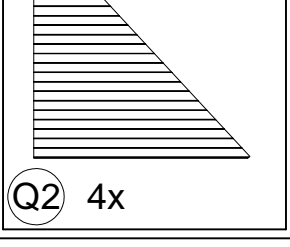
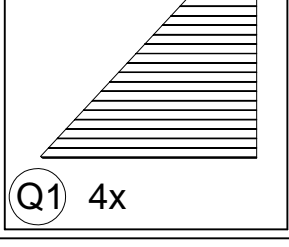
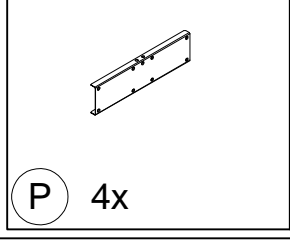
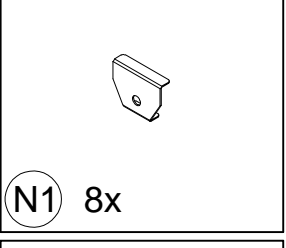
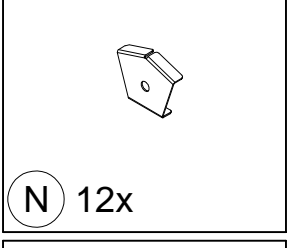
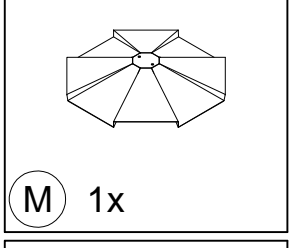
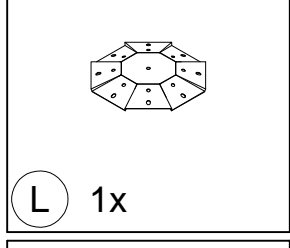
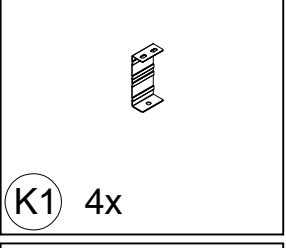
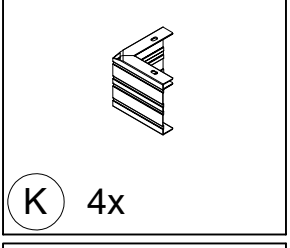
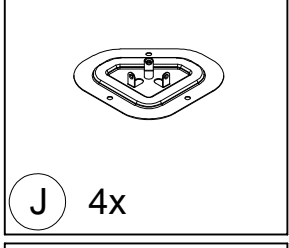
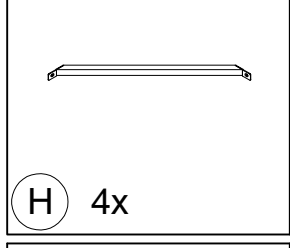
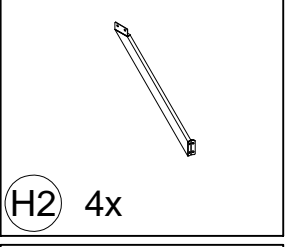
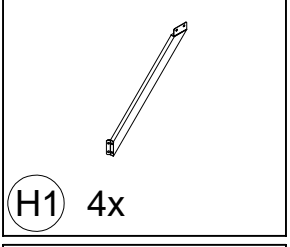
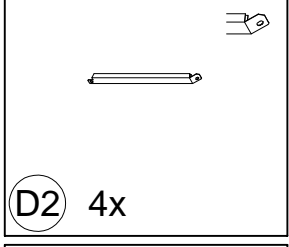
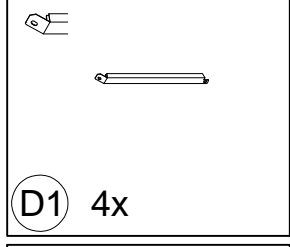
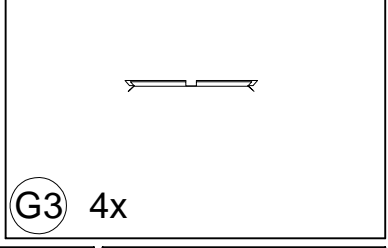
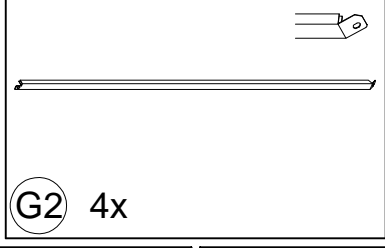
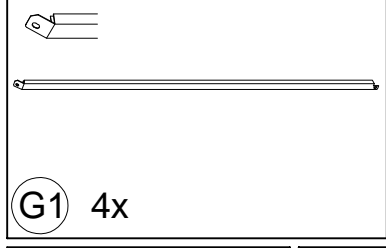
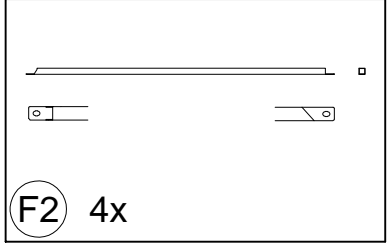
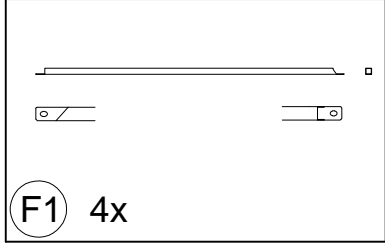
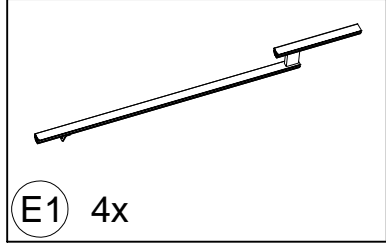
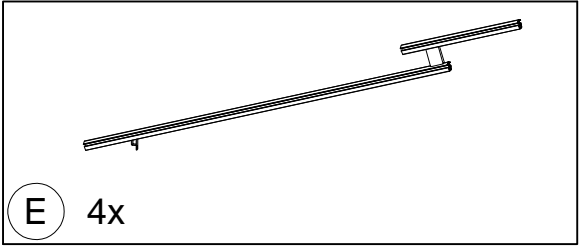
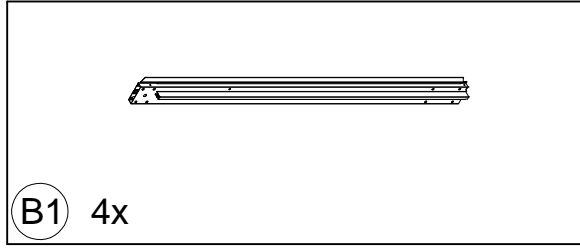
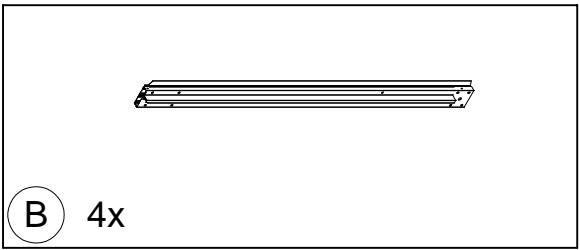
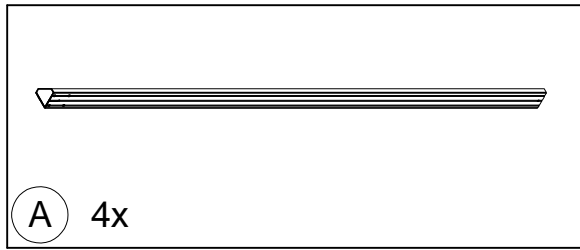
84C-145V01




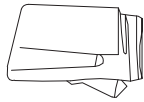
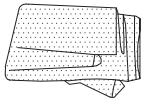



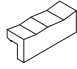


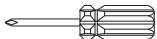






C000000



3 x 3 M

ASSEMBLY INSTRUCTION

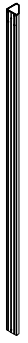


 <b>(R2)</b> 4x	 <b>(S1)</b> 4x	 <b>(S2)</b> 4x	 <b>(T)</b> 4x
 +  <b>(T1)</b> 4x + 1x	 <b>(U)</b> 96x	 <b>(V)</b> 4x	 <b>(Y)</b> 16x
 <b>(W)</b> 12x	<b>S4</b>  1x	 1x	
 M6x15 <b>(1)</b> 104x + 4	 M6x10 <b>(2)</b> 32x + 1	 M5x12 <b>(3)</b> 48x + 2	 ST4.8x12 <b>(4)</b> 24x + 2
 <b>(5)</b> 1x	 <b>(8)</b> 12x		

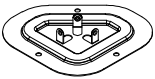
**Ruler** - Use this ruler to help correctly identify the screws.



<1>



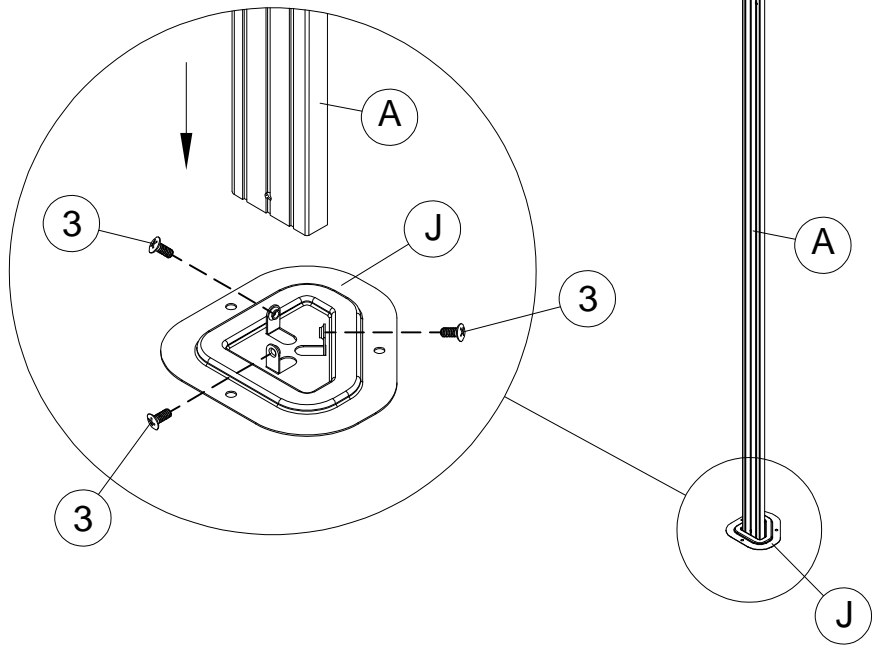
A 4x



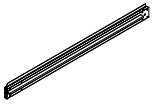
J 4x



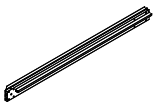
3 12x M5x12



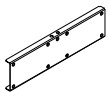
<2>



B 4x



B1 4x

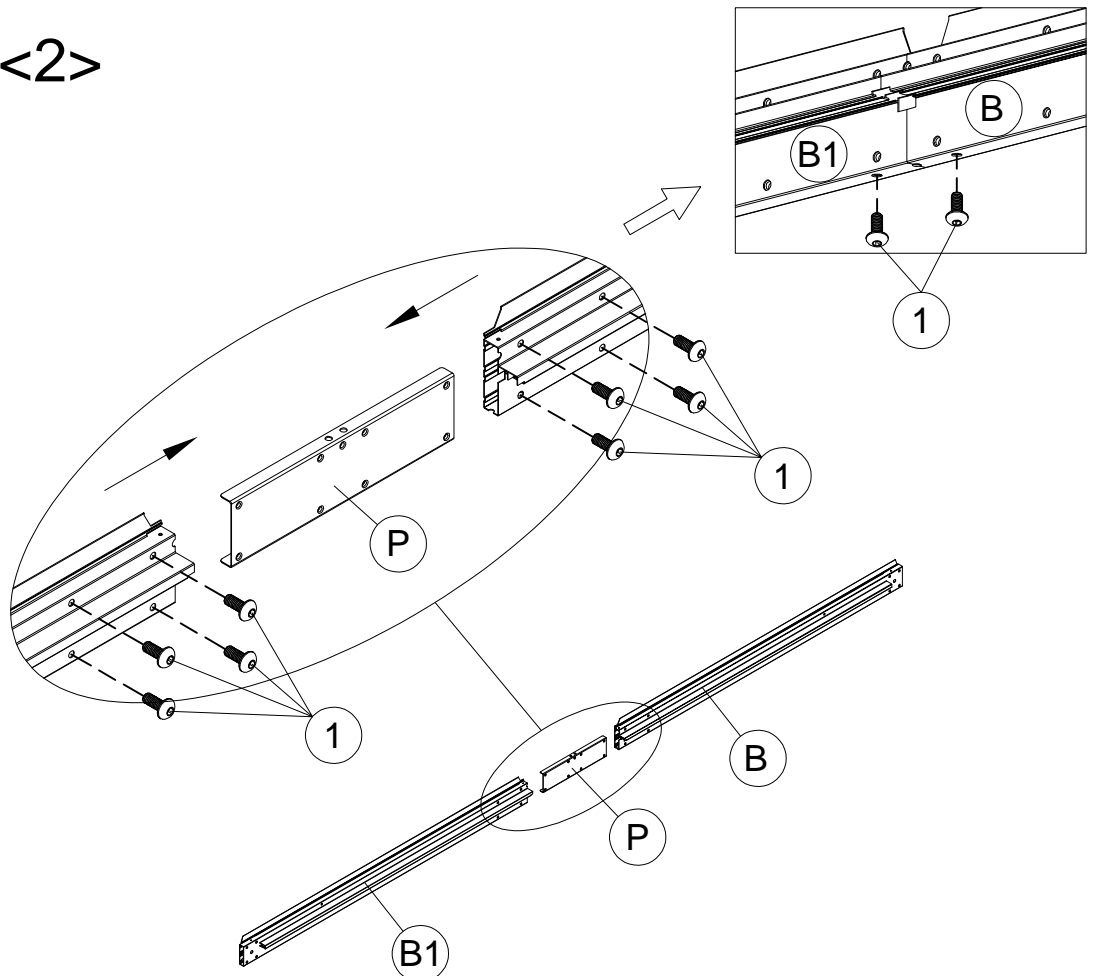


P 4x



1 40x M6x15

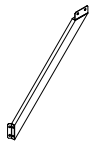
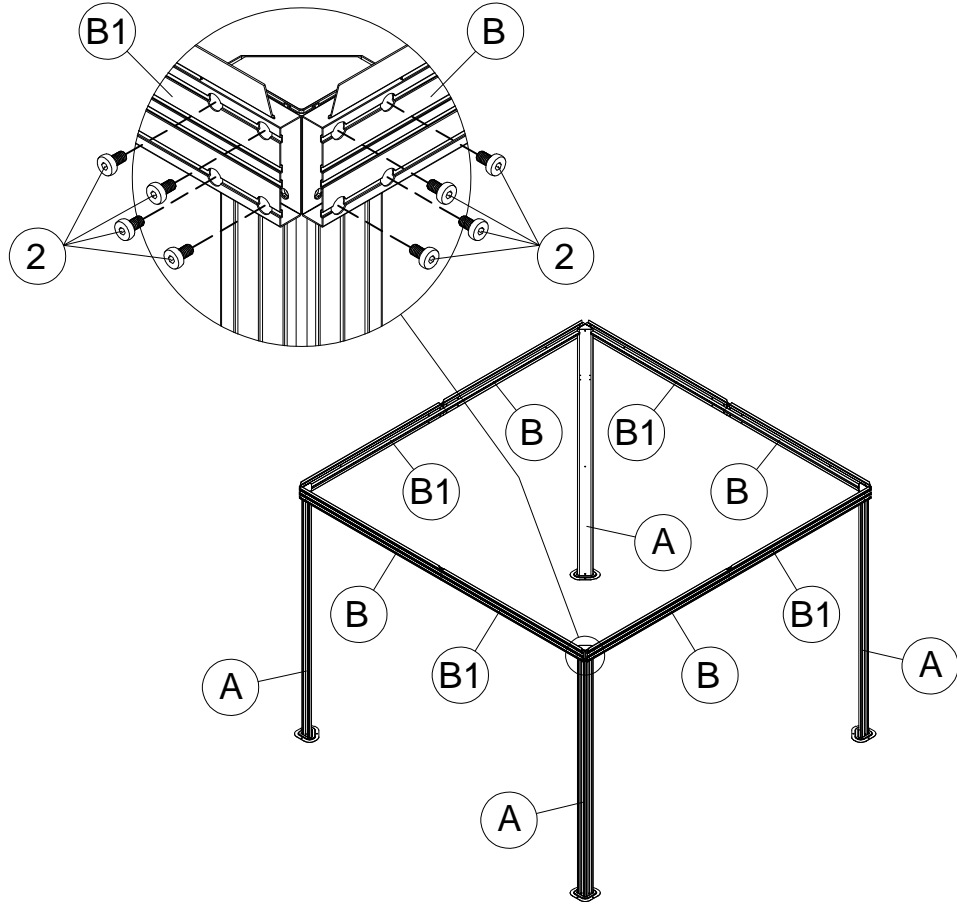
4





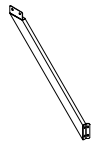
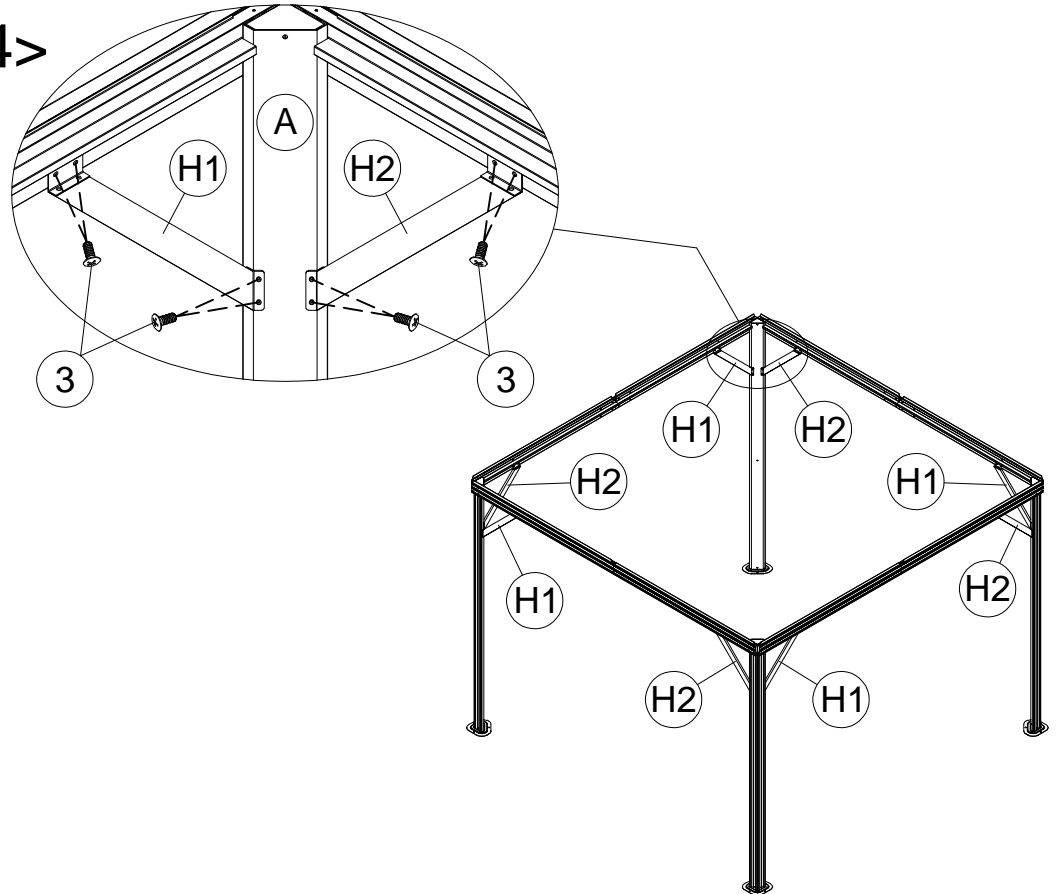
2 M6x10  
32x

<3>



H1 4x

<4>



H2 4x



3 M5x12  
32x

5

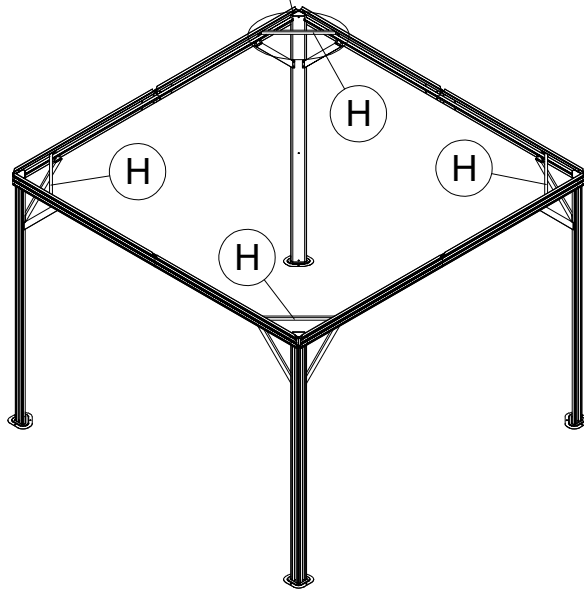
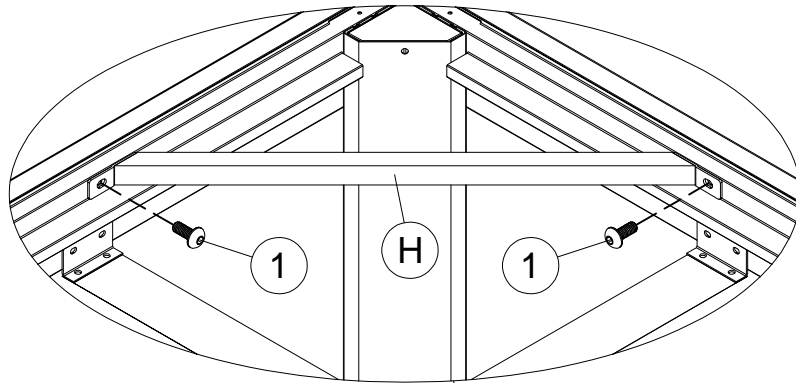


<5>

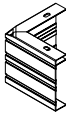
H 4x



1 8x M6x15



6



**K** 4x



**K1** 4x



**U** 96x



**V** 4x

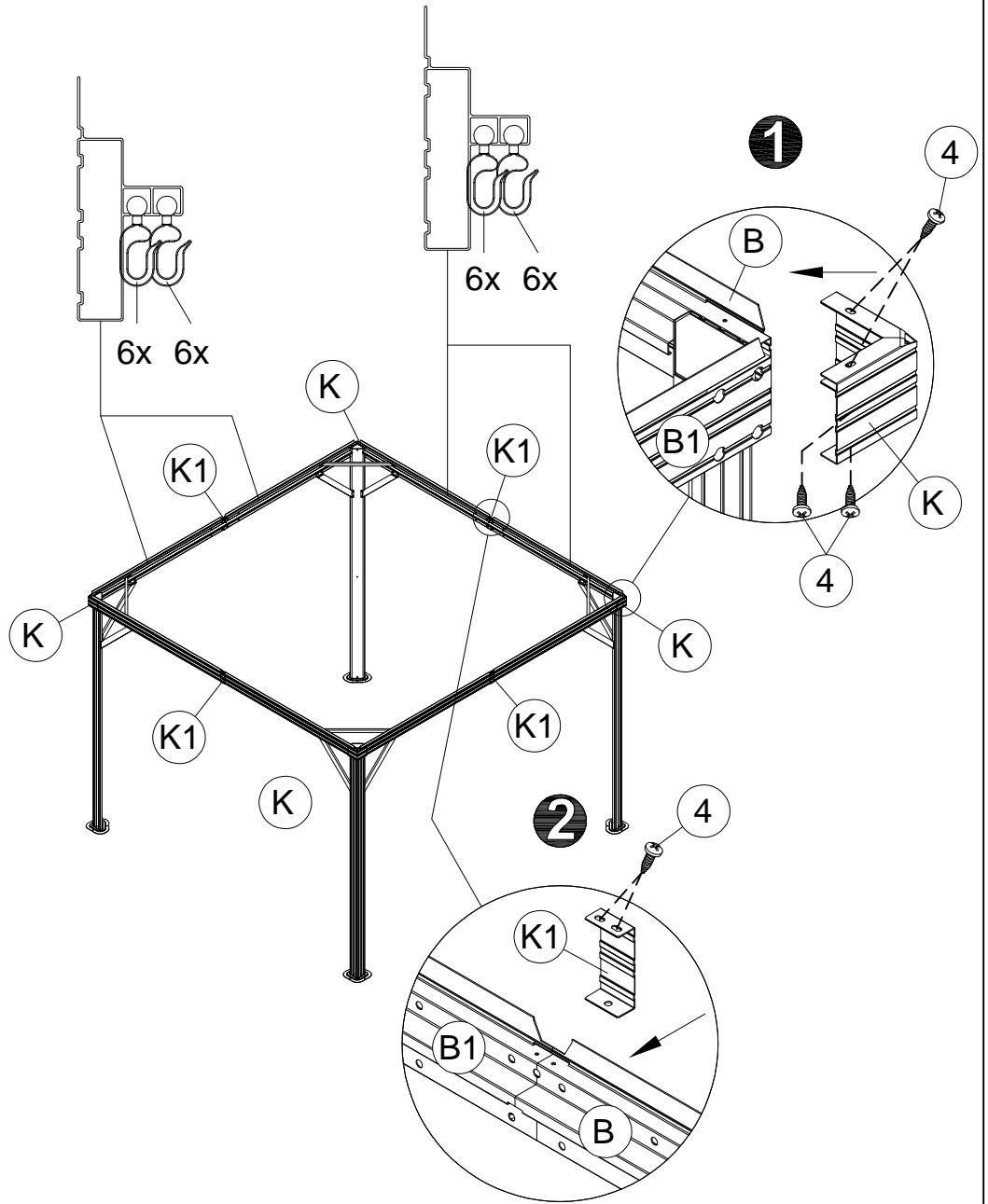


**3** 4x M5x12

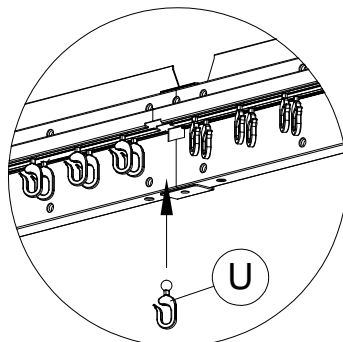


**4** ST4.8x12 24x

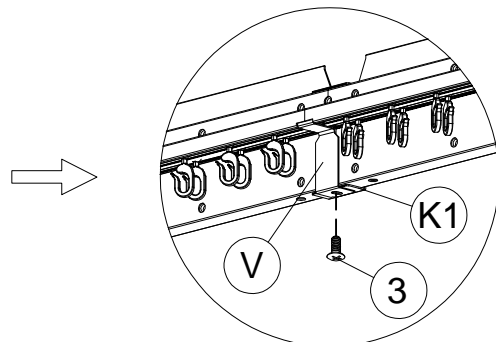
<6>



**3**



**4**

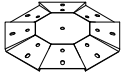


7



<7>

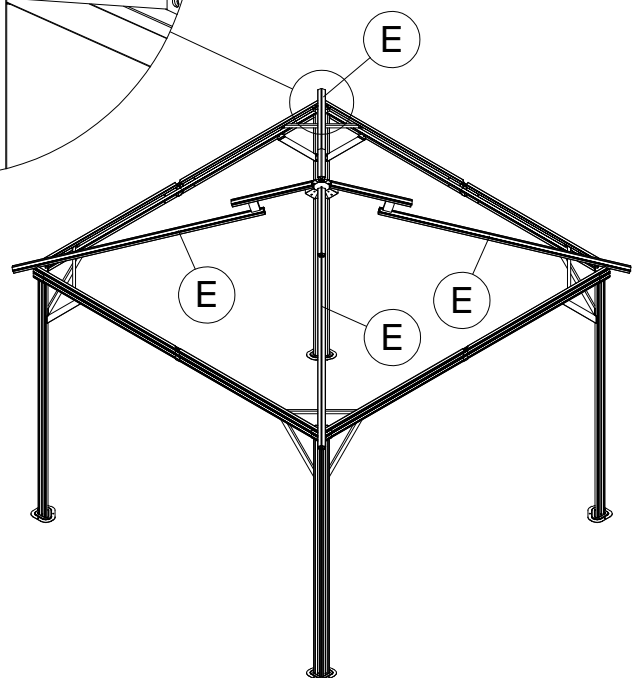
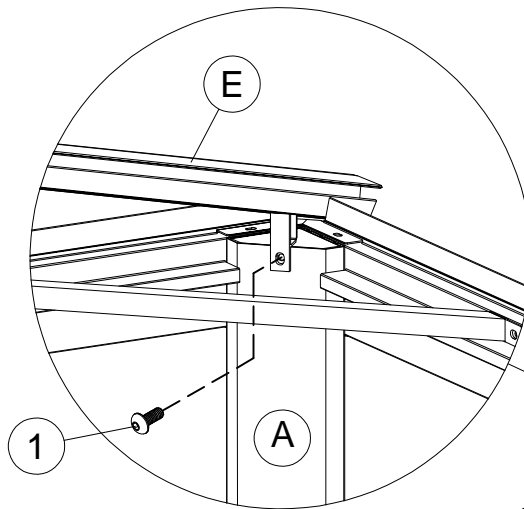
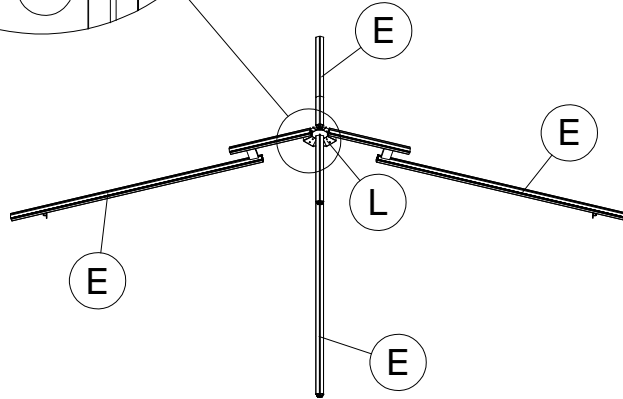
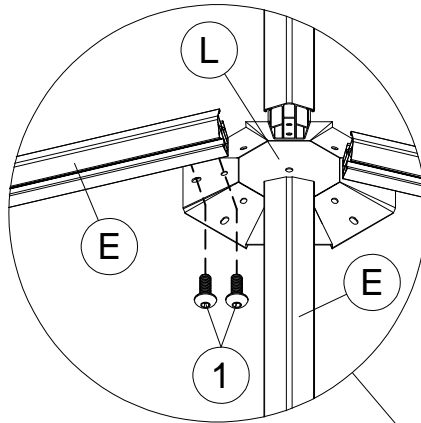
E 4x



L 1x



1 12x M6x15



8

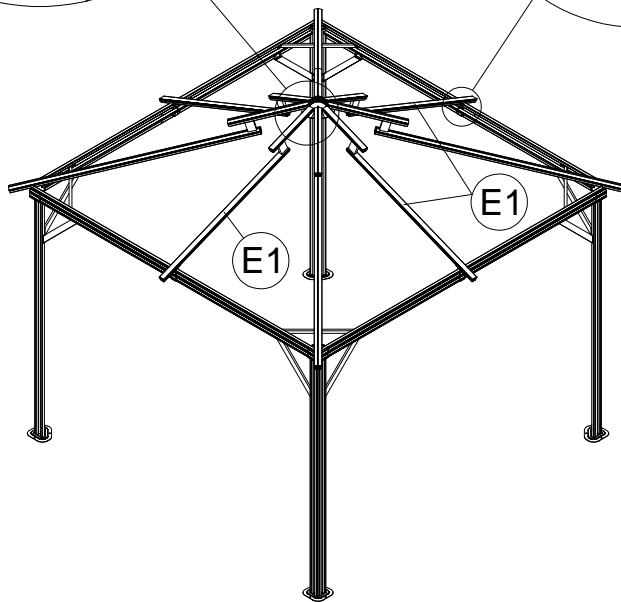
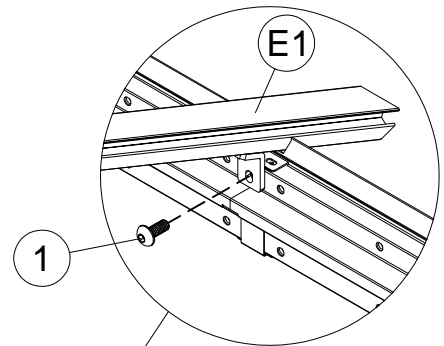
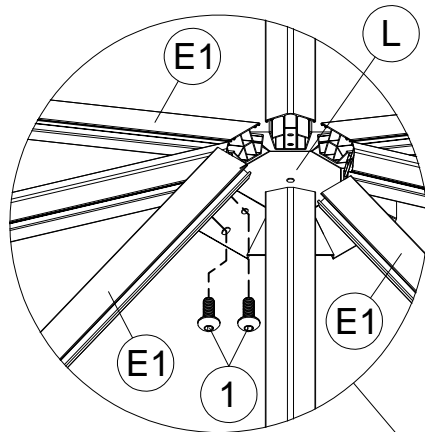


<8>

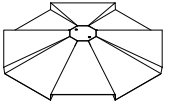
E1 6x



M6x15  
1 12x



9

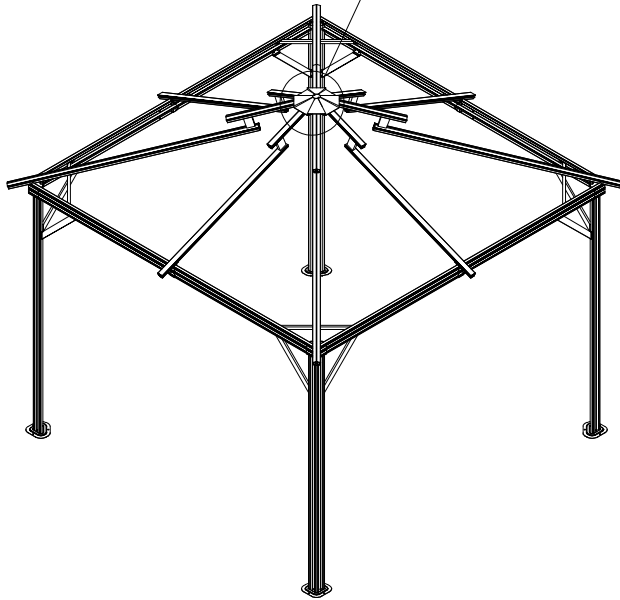
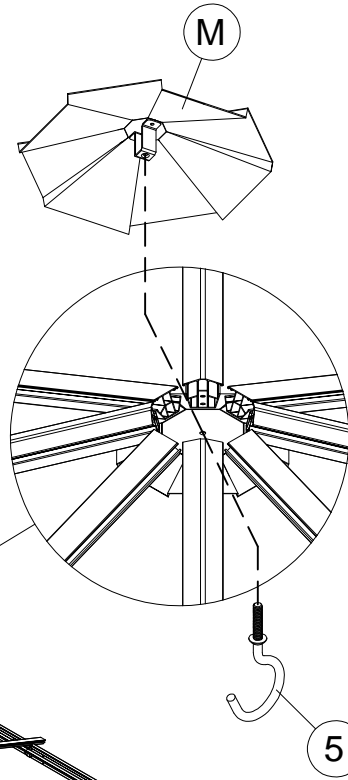


<9>

M 1x



5 1x





<10>

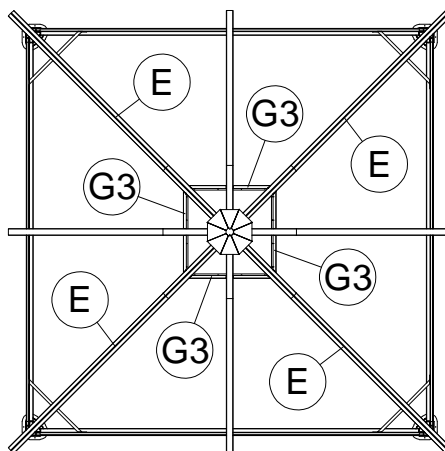
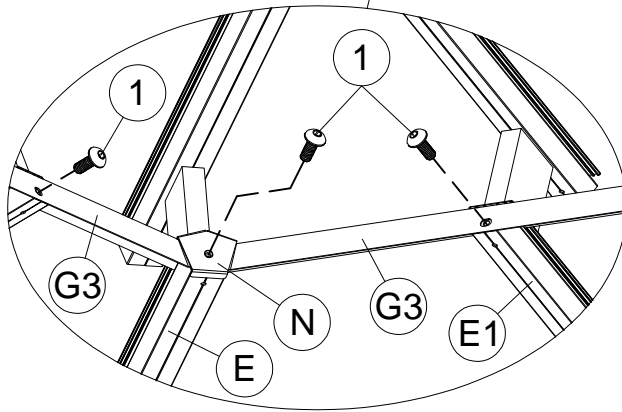
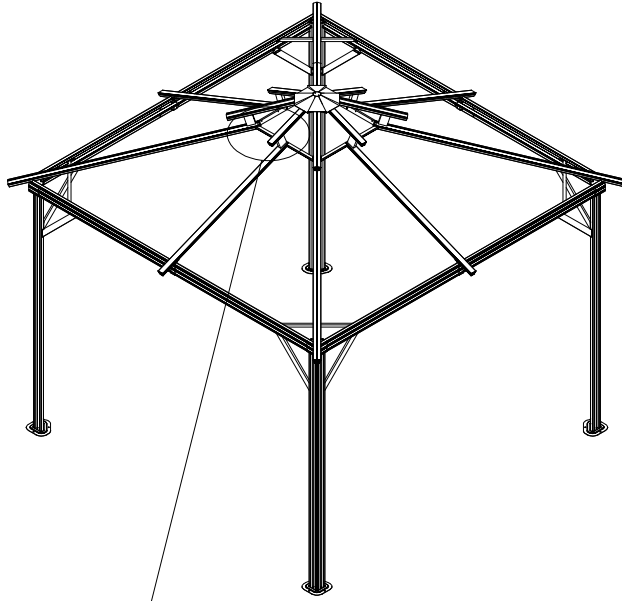
G3 4x



N 4x



1 8x M6x15



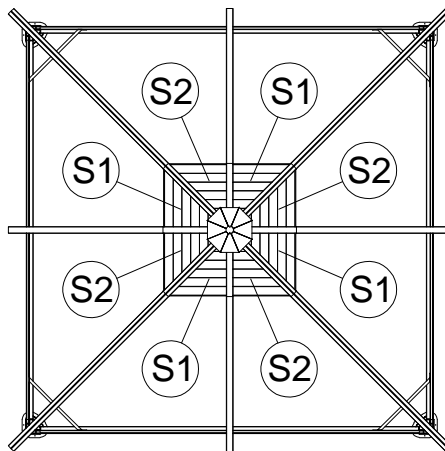
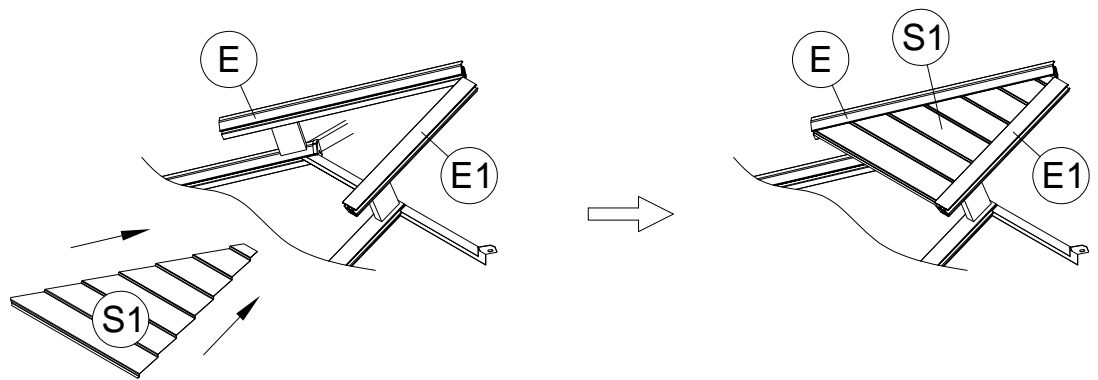
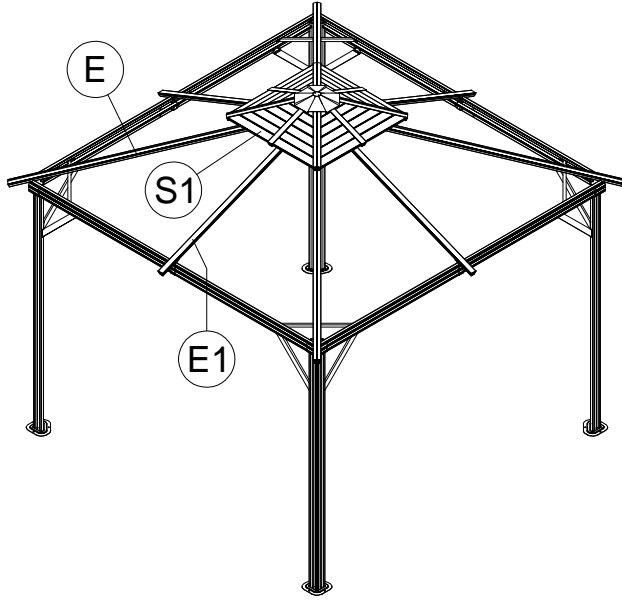


<11>

S1 4x



S2 4x



<12>



D1 4x



D2 4x



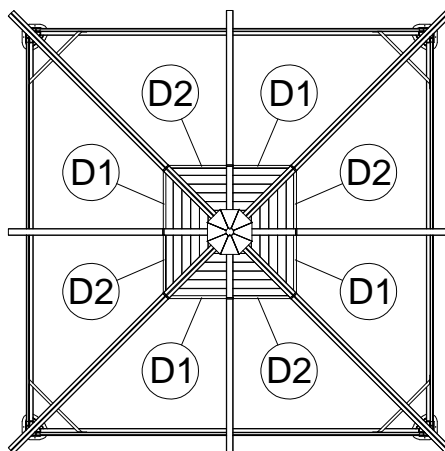
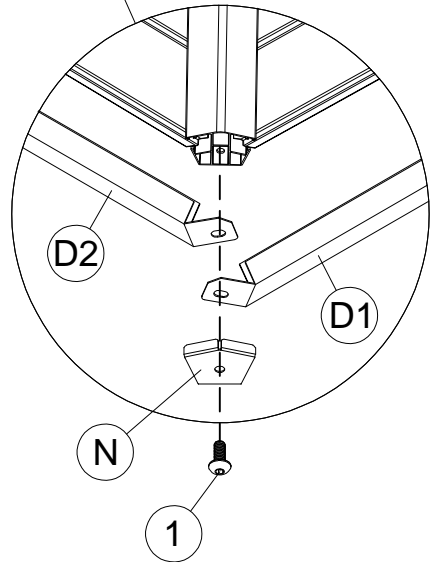
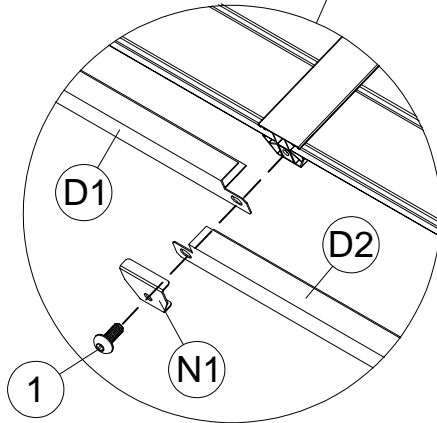
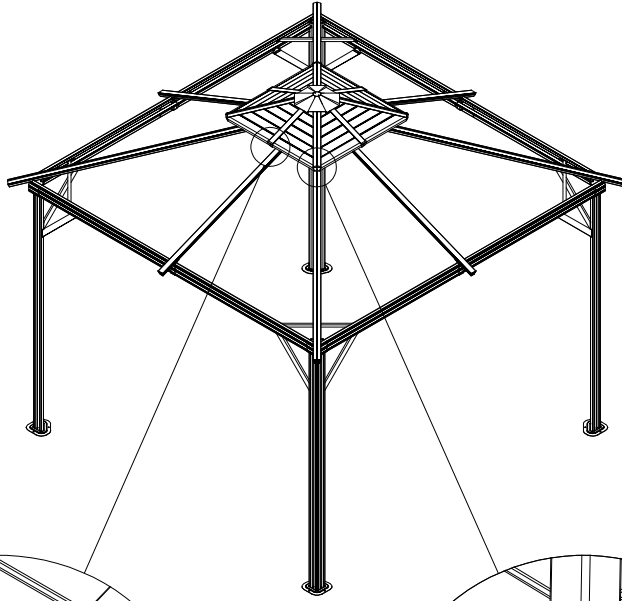
N 4x



N1 4x



1 8x M6x15

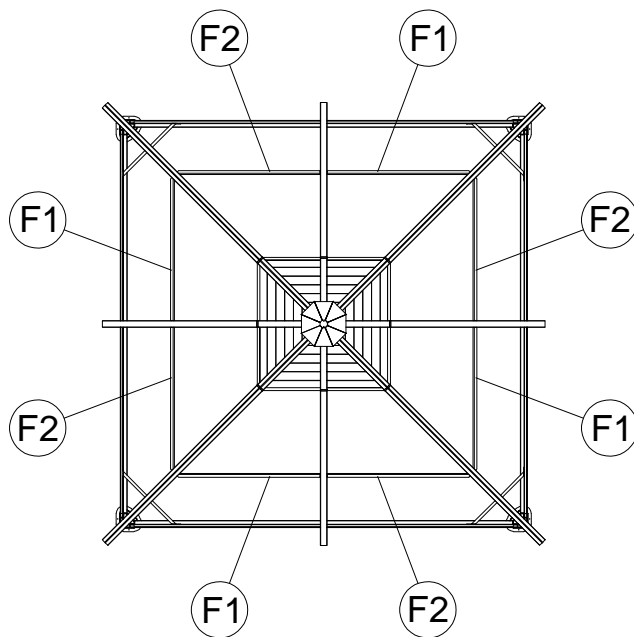
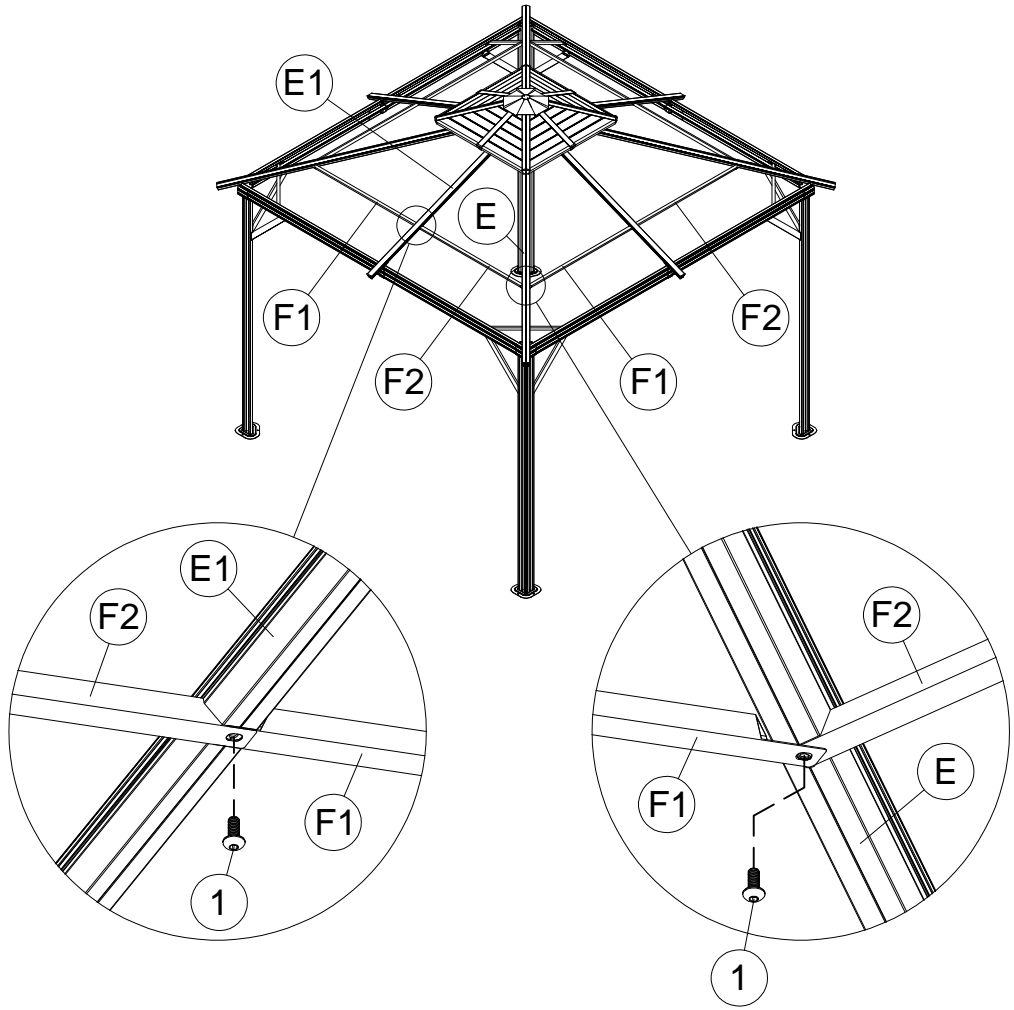


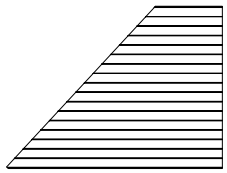
<13>

F1 4x

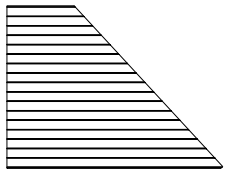
F2 4x

1 8x M6x15

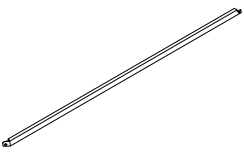




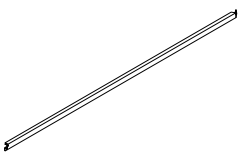
Q1 4x



Q2 4x



G1 4x



G2 4x



N 4x



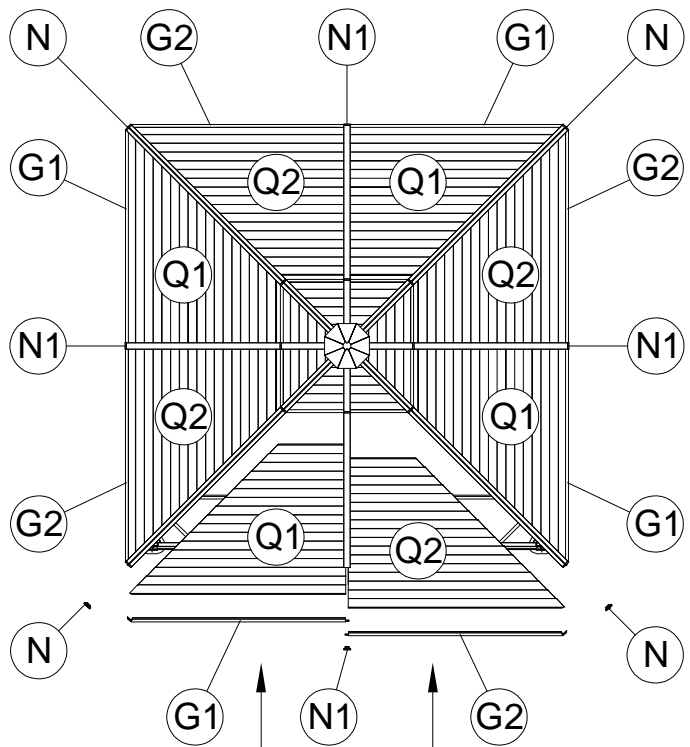
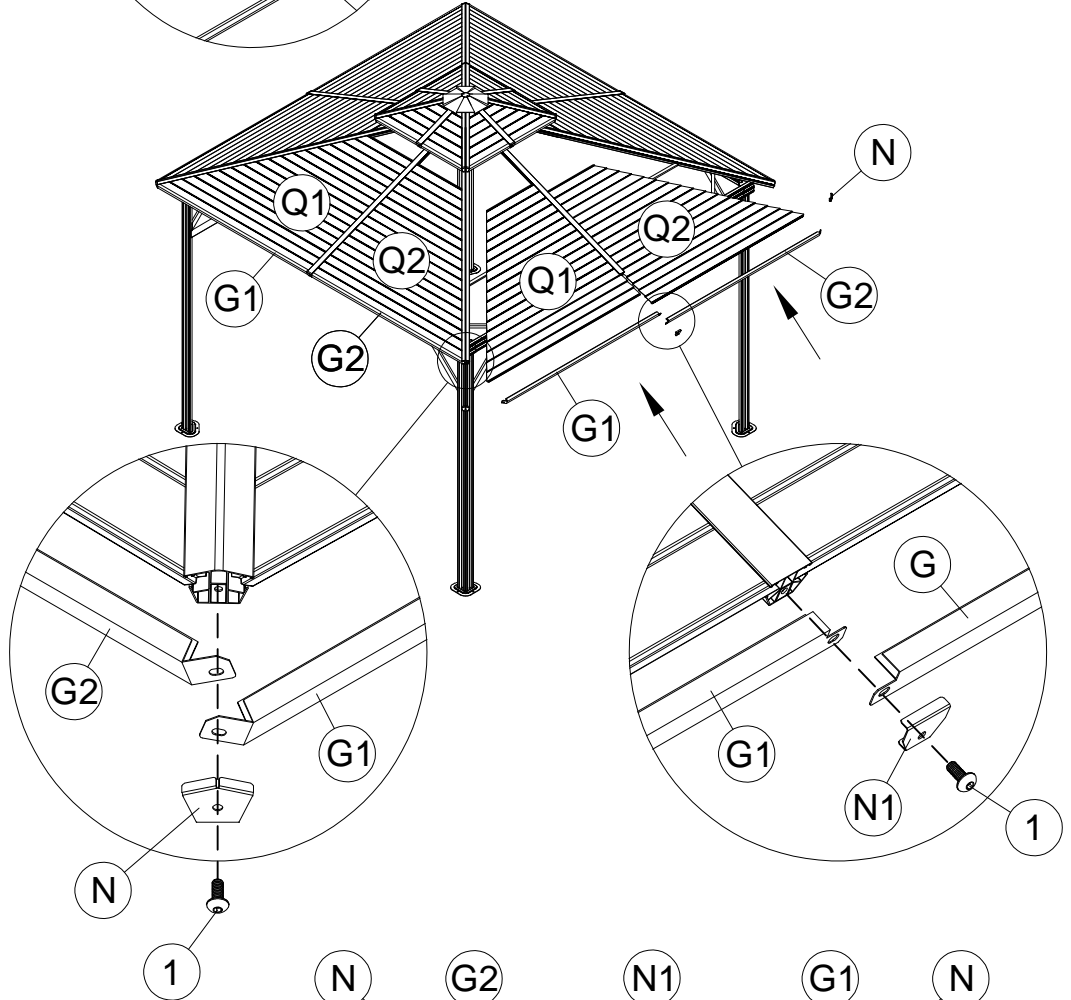
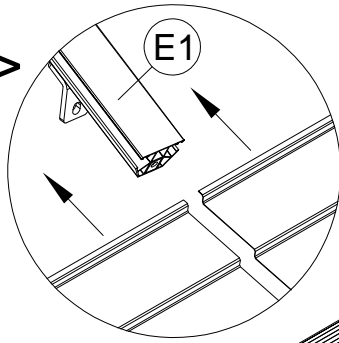
N1 4x



1 8x M6x15

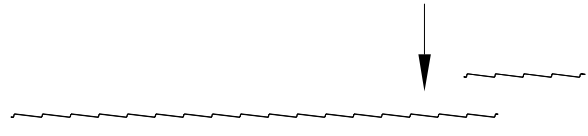
15

<14>





<15>



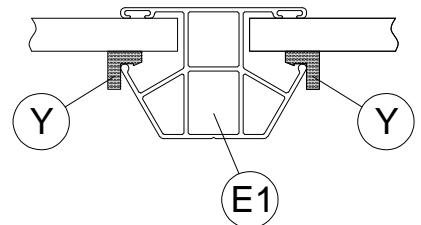
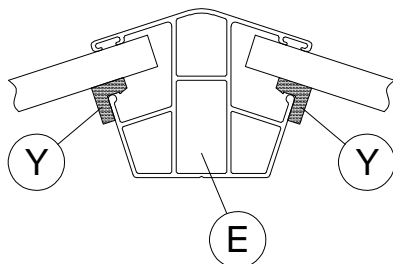
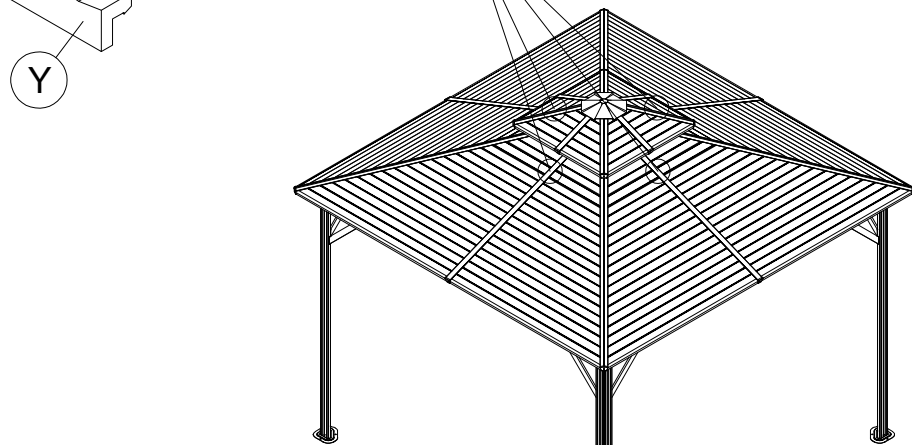
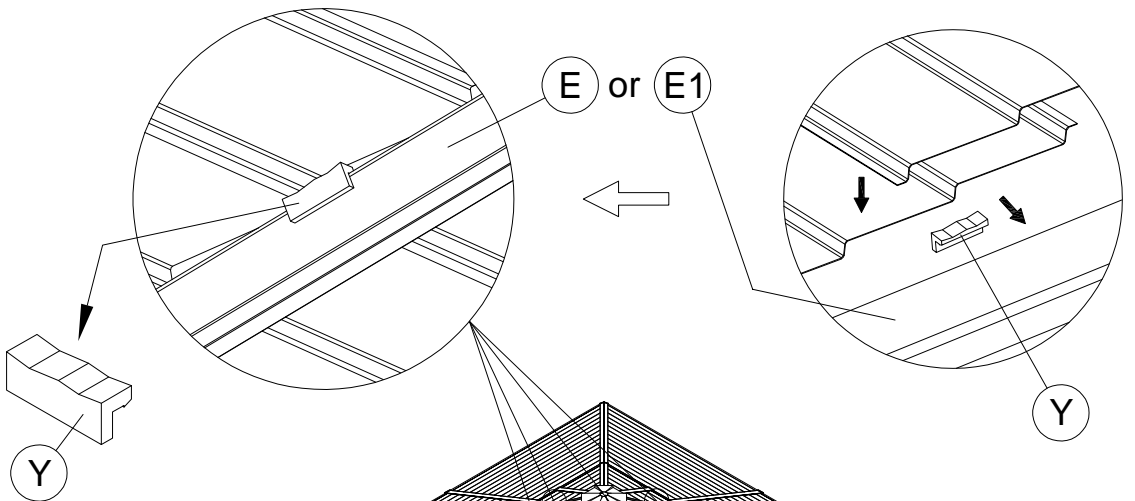
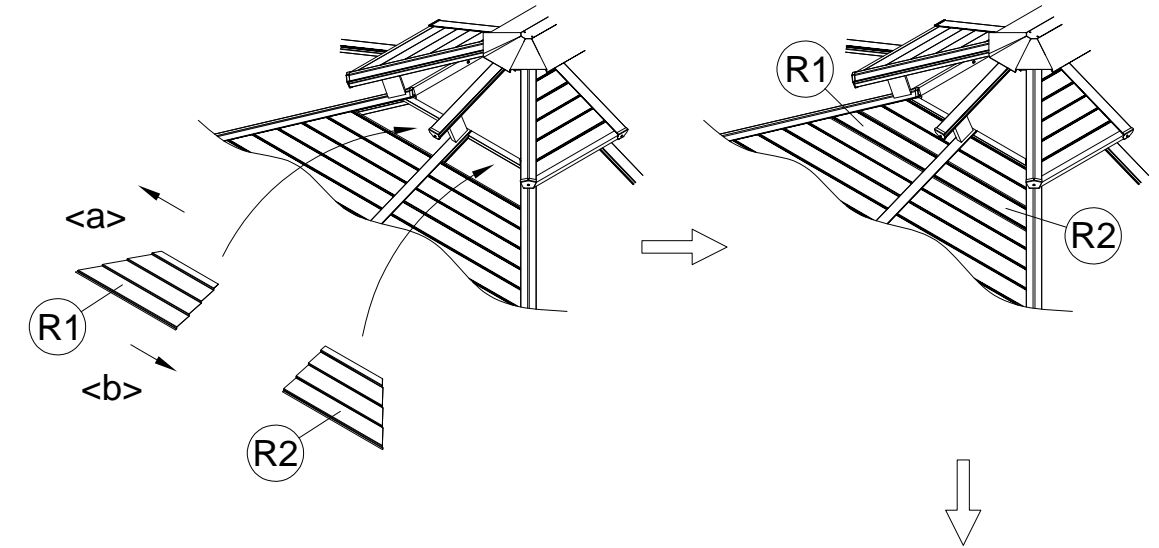
R1 4x



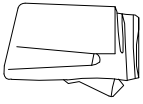
R2 4x



Y 16x

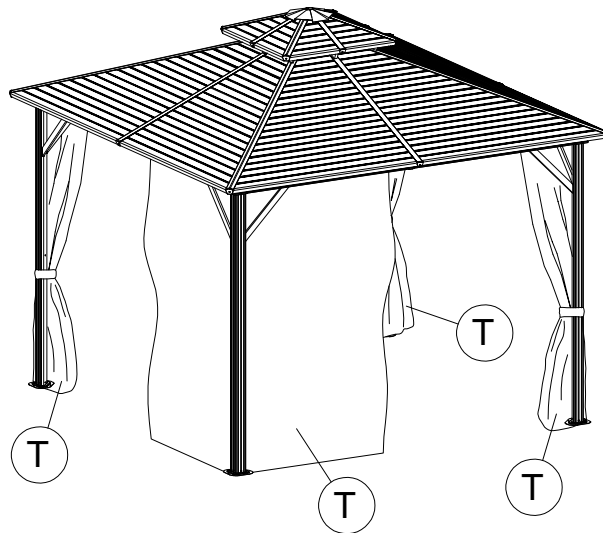
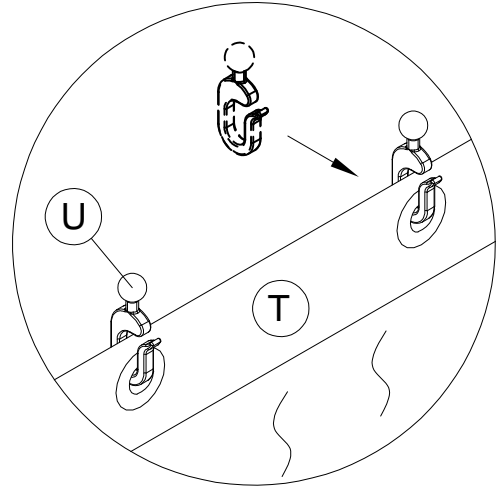
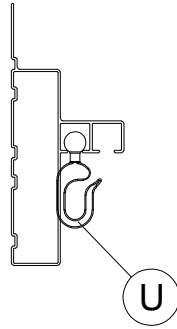


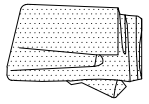
16



<16>

T 4x

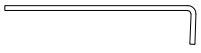




+



T1 4x + 1x

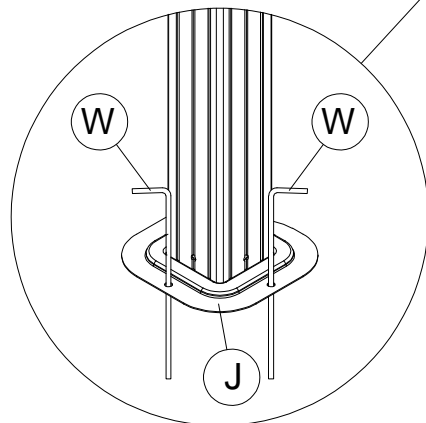
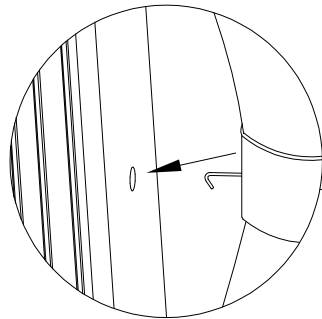
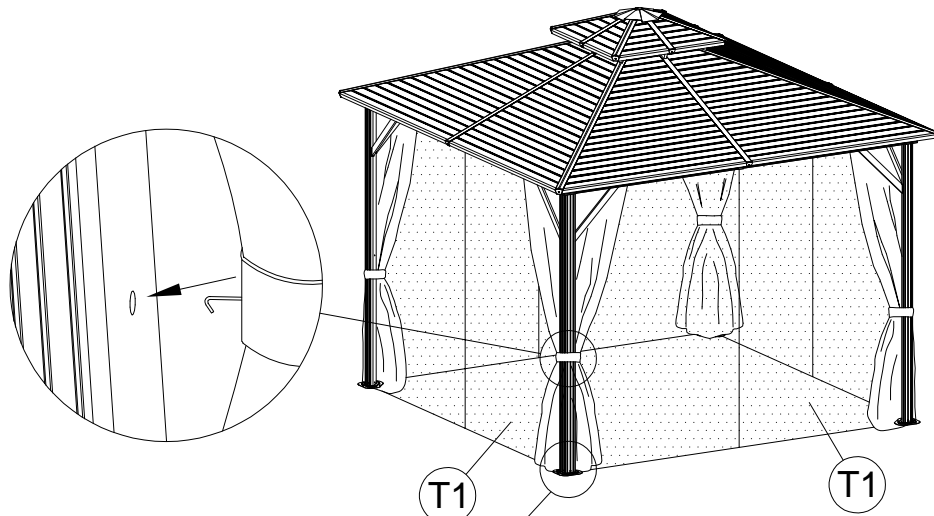
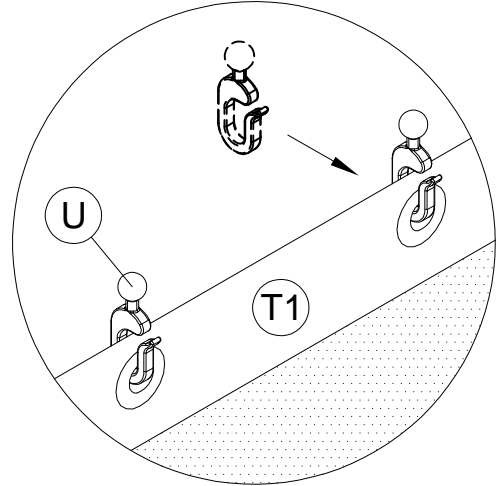
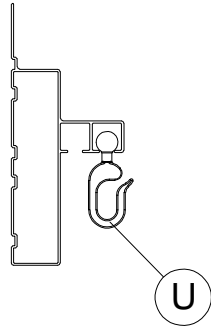
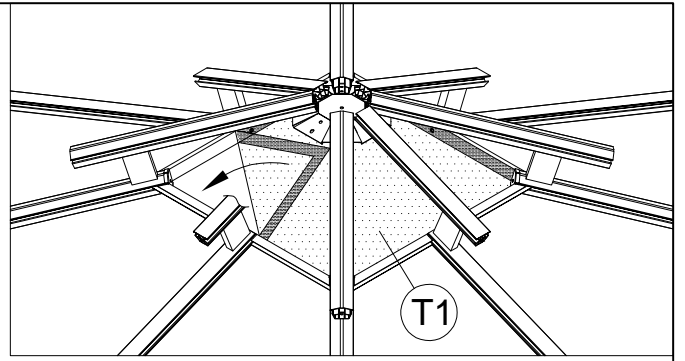


W 12x

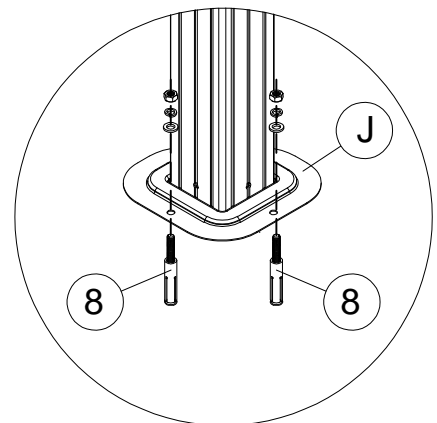


8 12x











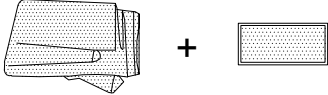


<17>
















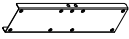

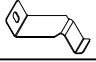
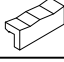


or

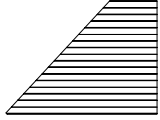
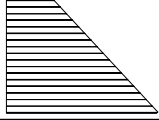






18

Carton-1/3	No	Reference Picture	Part	Qty
	1		A	4
	2		B	4
	3		B1	4
	4		E	4
	5		J	4
	6		K	4
	7		K1	4
	8		L	1
	9		M	1
	10		T	4
	11		T1	4+1
	12		1,2,3,4, 5	209
	13			2

Carton-2/3	No	Reference Picture	Part	Qty
	1		E1	4
	2		F1	4
	3		F2	4
	4		G1	4
	5		G2	4
	6		G3	4
	7		D1	4
	8		D2	4
	9		H1	4
19	10		H2	4
	11		H	4

Carton-2/3	No	Reference Picture	Part	Qty
	12		N	12
	13		N1	8
	14		P	4
	15		U	96
	16		V	4
	17		Y	16
	18		W	12
	19		8	12

Carton-3/3	No	Reference Picture	Part	Qty
	1		Q1	4
	2		Q2	4
	3		R1	4
	4		R2	4
	5		S1	4
	6		S2	4

US



001-877-644-9366  
customerservice@aosom.com

CA



001-855-537-6088  
customerservice@aosom.ca

UK



0044-800-240-4004  
enquiries@mhstar.co.uk

DE



0049-(0)40-88307530  
service@aosom.de

FR



0033-1-84166106  
contact@aosom.fr

ES



0034-931294512  
atencioncliente@aosom.es

IT



0039-0249471447  
clienti@aosom.it