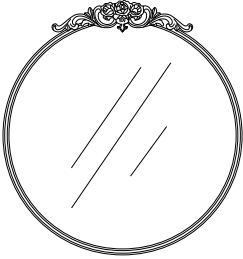


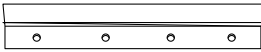


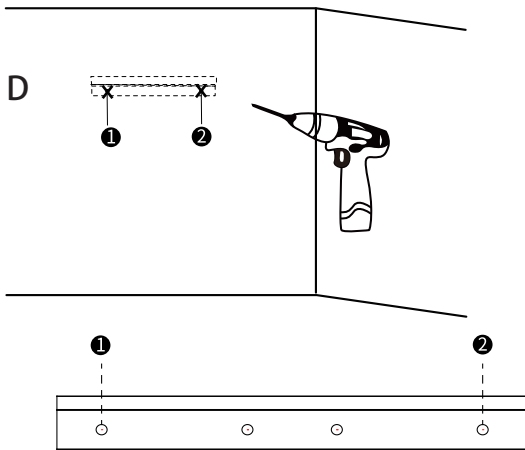
ASSEMBLY INSTRUCTION

Parts

Code	Diagram	QTY	Code	Diagram	QTY
A		1pc	B		2pcs
C		2pcs	D		1pc

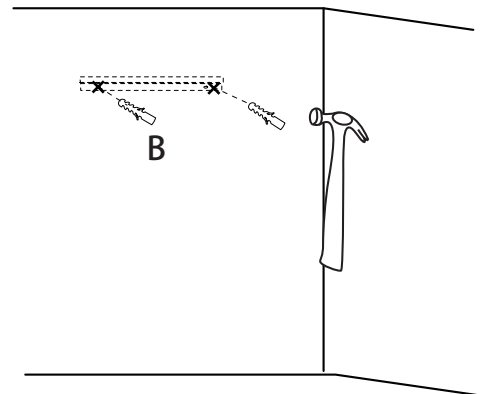
Assembly Steps

Step 1



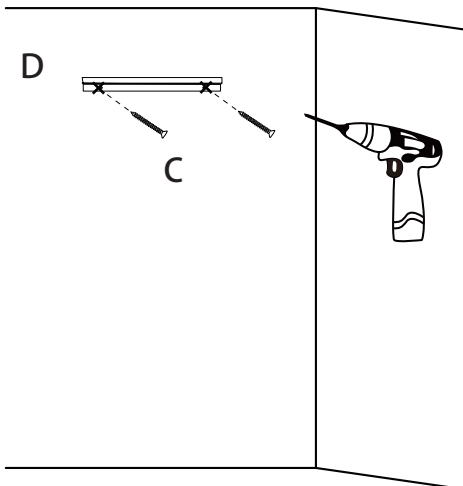
Punch 2 holes in the wall with an electric drill at the proper height.

Step 2



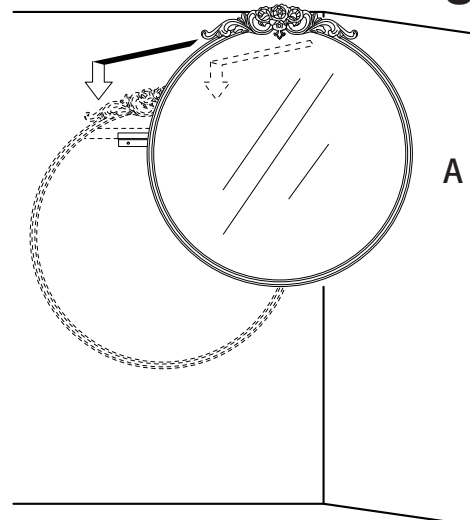
Insert the wall anchors.

Step 3



Install the screws.

Step 4



Place the hangers at the back of the mirror over the hanger.