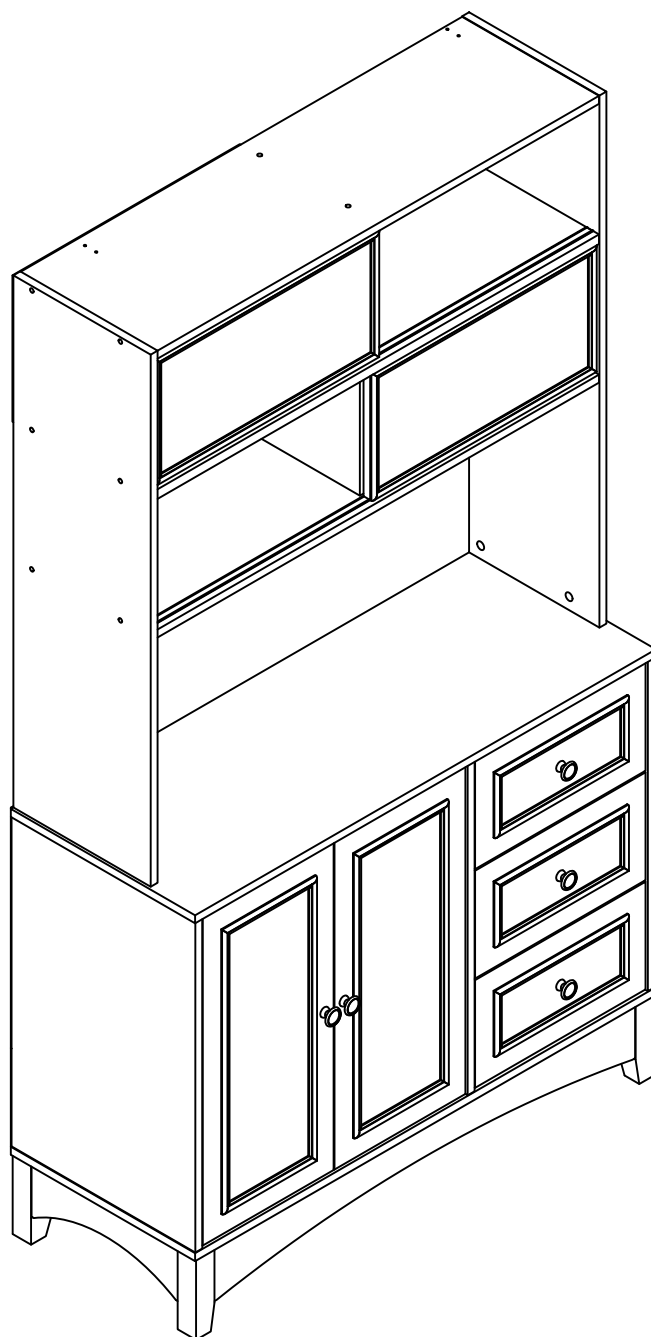


Assembling Instruction



ATTENTION

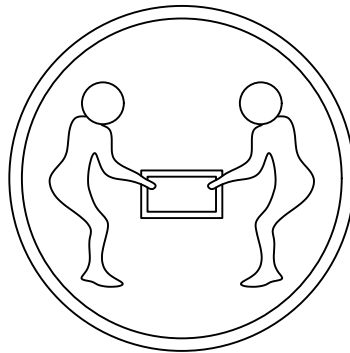
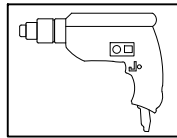
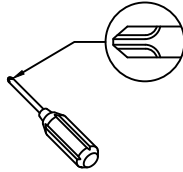
We are concerned about each customer's experience, so if there is any loss or damage, feel free to contact us and provide the name of the missing or damaged parts regarding to the P.3 page of the instructions at any time please. We will send replacement to you asap.

Please attach your order ID so that we can assist you better.



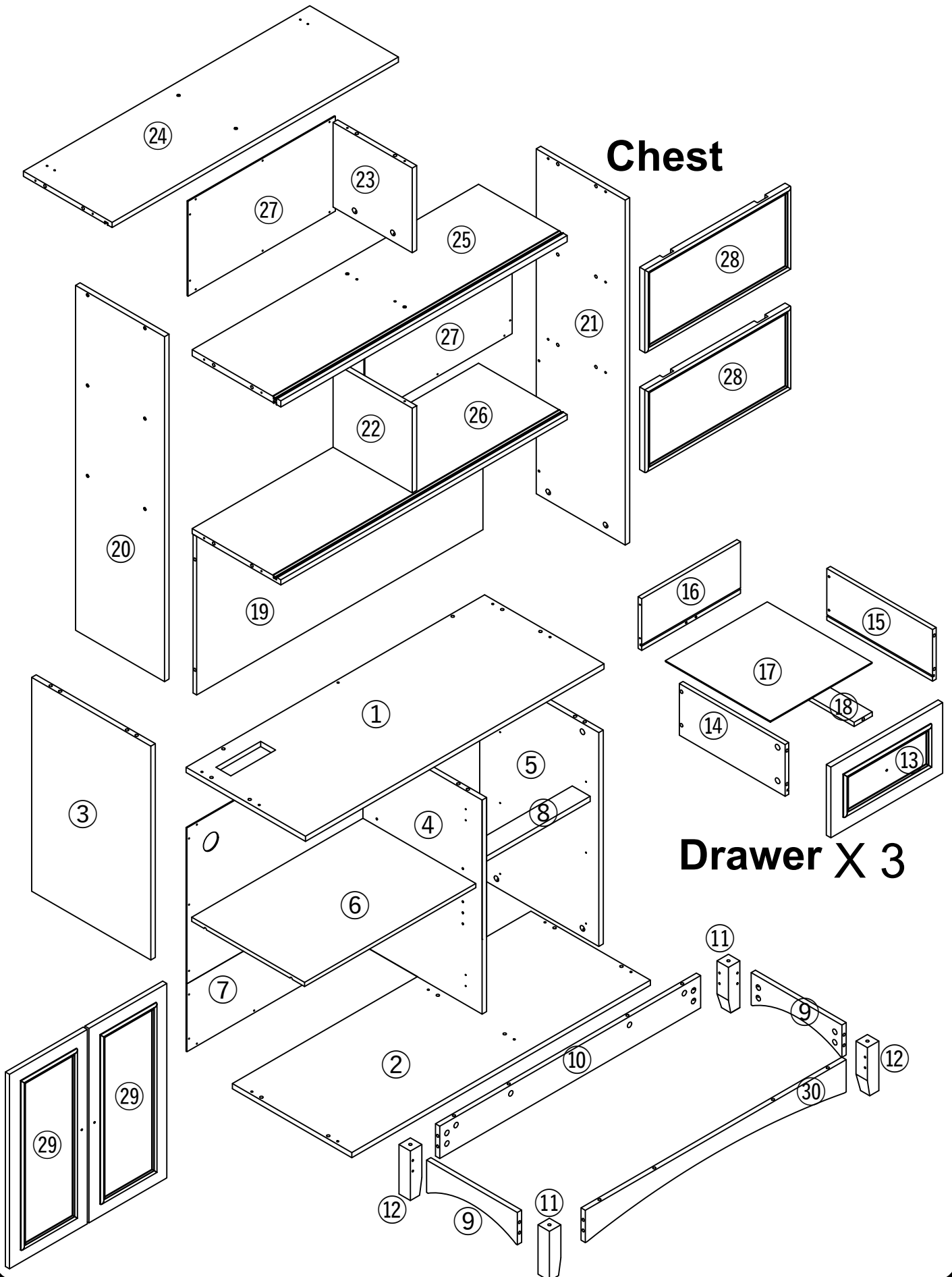
General Assembly Guidelines

- I. Ensure that all parts and hardware are available before beginning assembly.
- II. Follow each step carefully to ensure the proper assembly of this product.
- III. Two people are recommended for ease in the assembly of this product.
- IV. The three main types of hardware used to assemble this product are: wood dowels, screws and bolts.
- VI. A Phillips head screwdriver is required for the assembly of this product.

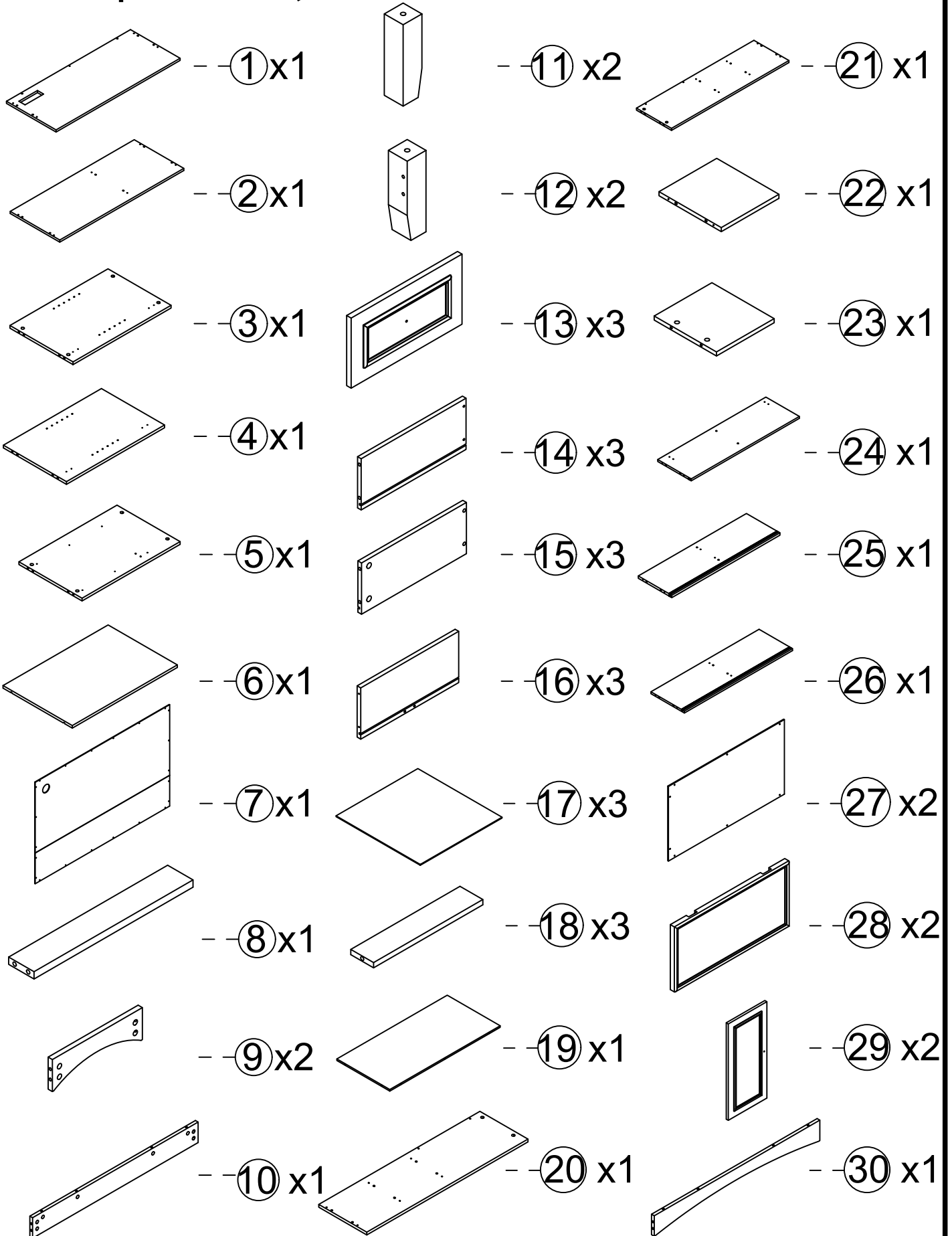


We recommend that two people install this cabinet.

Parts List



Components



HARDWARE PACK CONTENT

(A)



Ø6x32mm

67+1

(B)



Ø15x10mm

67+1

(C)



Ø8x30mm

40+1

(D)



Ø3.5*12mm

38+2

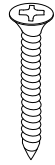
(E)



Ø4.5x38mm

18+1

(F)



Ø3.5x30mm

18+1

(G)



M4x18mm

5

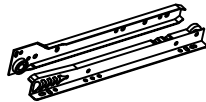
(H)



5

(I)

14"



3

(J)



Ø3*12mm

72+2

(K)



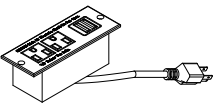
1

(L)



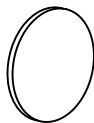
4

(M)



1

(N)



Ø30mm

6

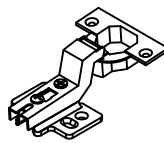
(O)



Ø3.5*12mm

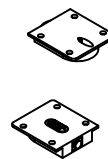
24+1

(P)



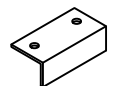
4

(Q)

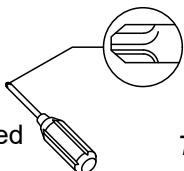


4

(R)



1



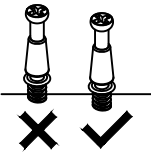
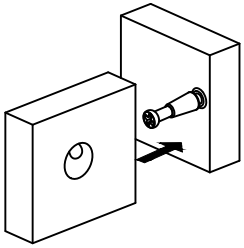
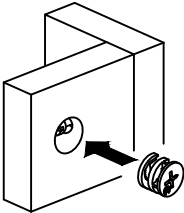
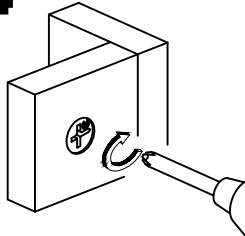
not included

If you have a Phillips screwdriver at home, it will make the installation easier.

The hardware quantities listed above are required for proper assembly. Some extra hardware may also have been included.

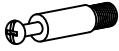

CAM LOCK/BOLT FASTENING INTRODUCTION

(You will use it during assembly)

| | | | |
|--|---|--|---|
| 1  | 2  | 3  | 4  |
| <p>1. Screw cam bolt into the threaded anchor gently. (Attention: don't screw cam bolt too deep or too shallow.)</p> | <p>2. Please connect the 2 boards you want connect by inserting cam bolt.</p> | <p>3. Insert the cam lock into the round hole of the board. (Attention: point the arrow on the top of the cam lock to the outer edge.)</p> | <p>4. Turn the cam lock clockwise until it is firmly tightened.</p> |

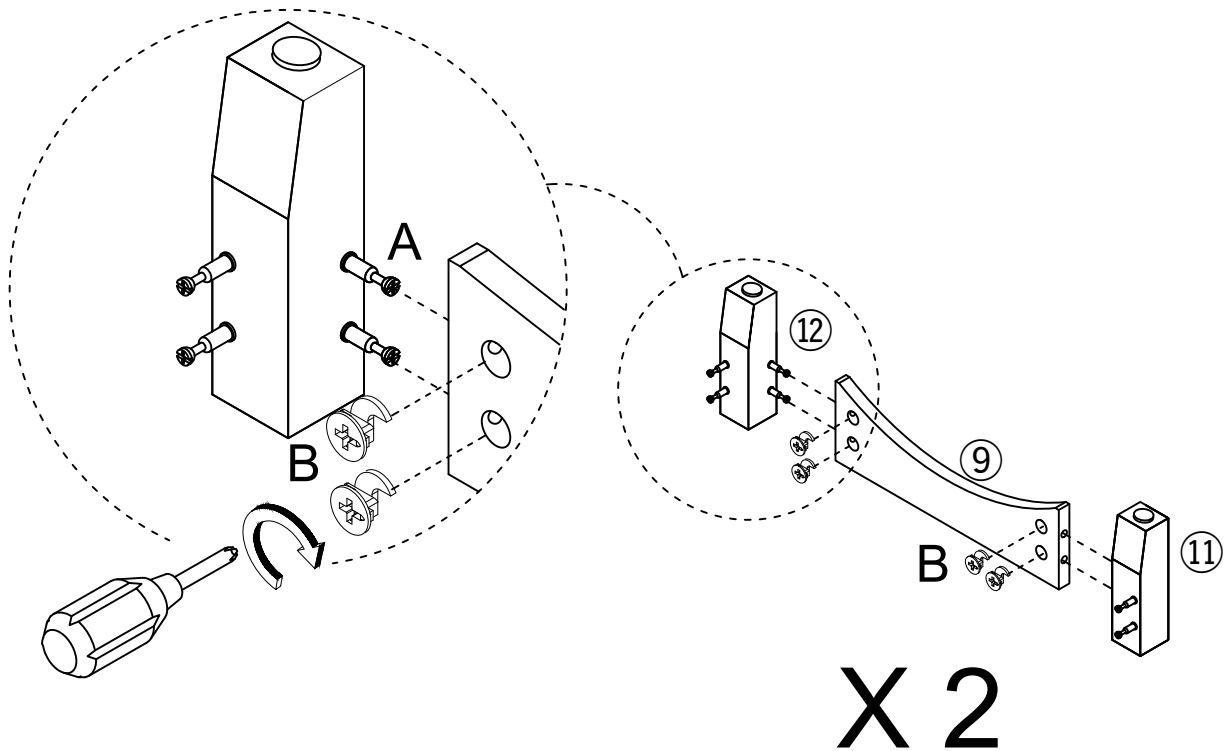
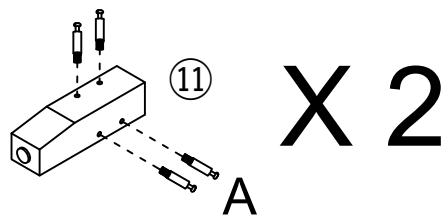
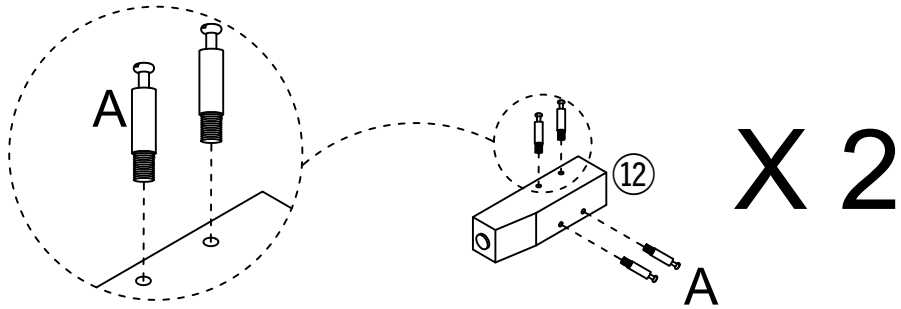
Please use [A] cam bolts and [B] cam locks as shown in the illustrations.

Step 1

| A | B |
|---|---|
|  |  |
| X16 | X8 |


-Screw (A) to the panel ⑪, ⑫ as below shown

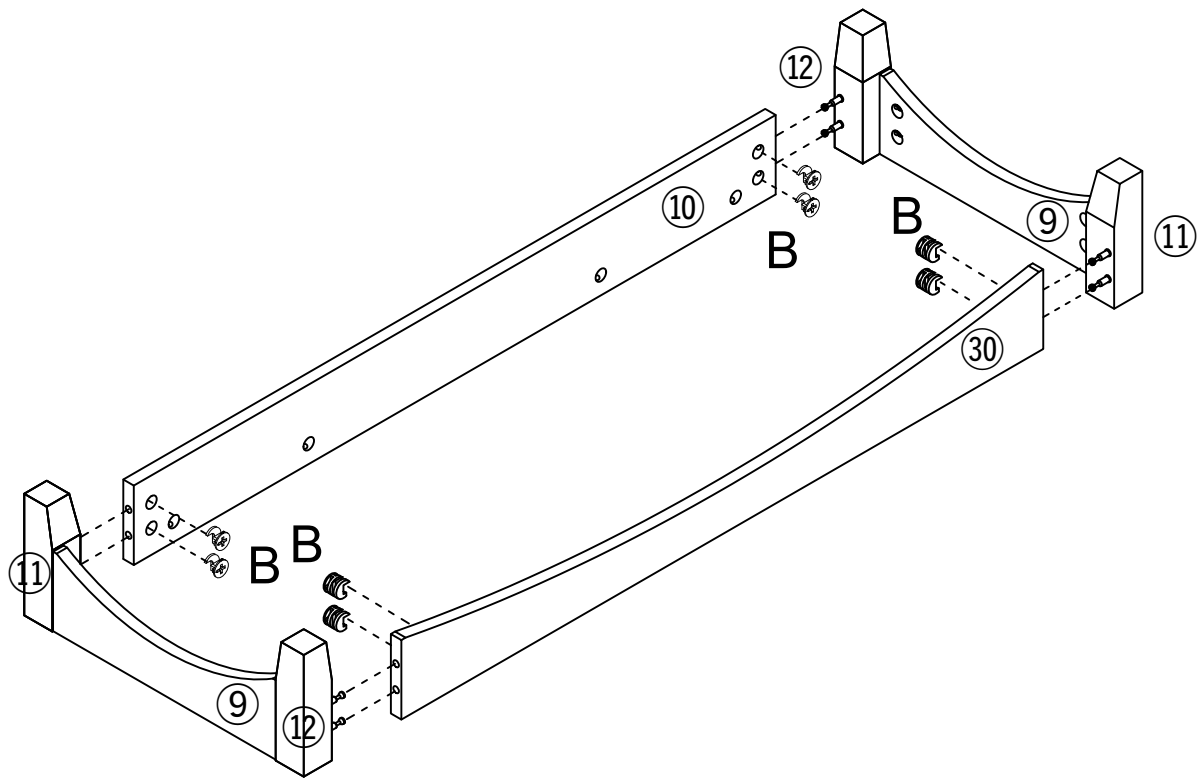
-Screw (B) to lock the panel ⑨ with the panel ⑪, ⑫ as below shown





Step 2

-Screw (B) to lock the panel ⑩, ③⑩ with the combination of ⑨ & ⑪ & ⑫ as below shown

| |
|---|
| B |
|  |
| X8 |

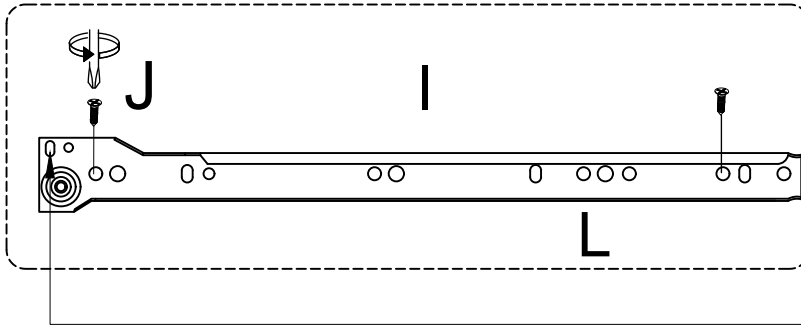


Step 3

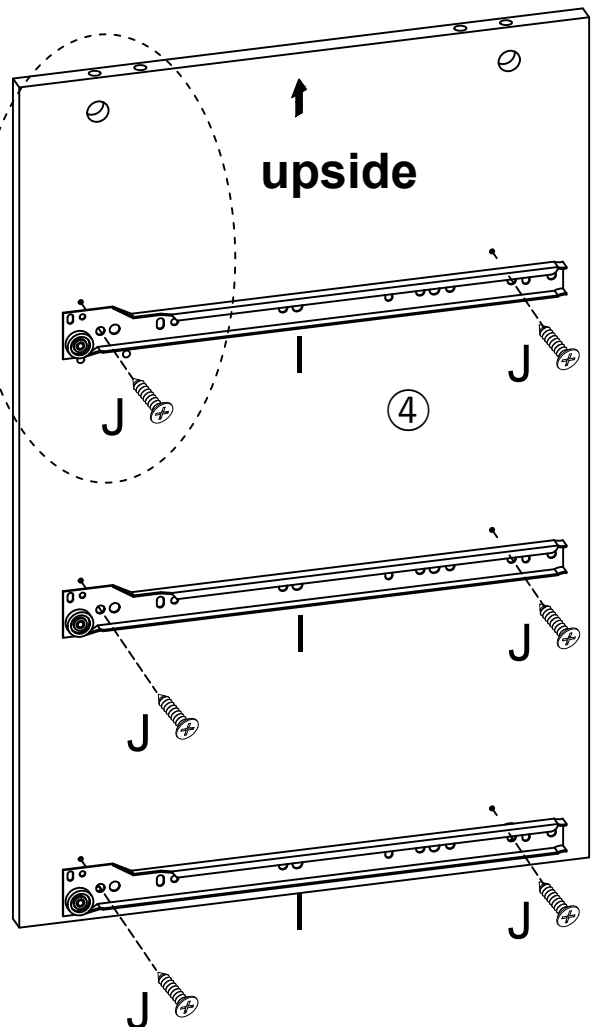
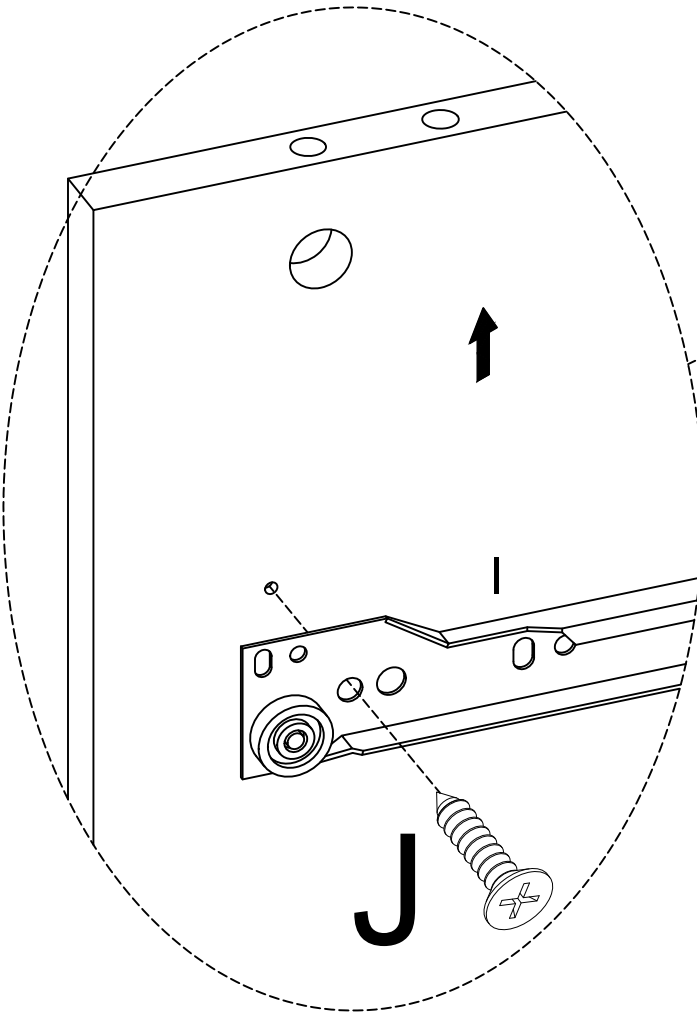
| | |
|---|---|
| I | J |
|  |  |
| L | |
| X3 | X9 |

The slide (I) includes 4 parts and there is a sign on each part: L, R, DL and DR. We should take notes of this and install the correct part to the panel to make sure the dresser works.

- Install the part (L) of the drawer slide (I) on the left panel ④ as below shown
- Repeat to install the other 2 parts (L) on the panel ④ as below shown





The first hole in the UPPER row holes of the slide is without the corresponding pre-drilled hole, after fix the position of the slide and then screw on.



The screw (J) should be locked in the first hole against the pulley.

NOTE: When you screw the screws, please refer to the illustration carefully to make sure that the slide screws correspond to the position.

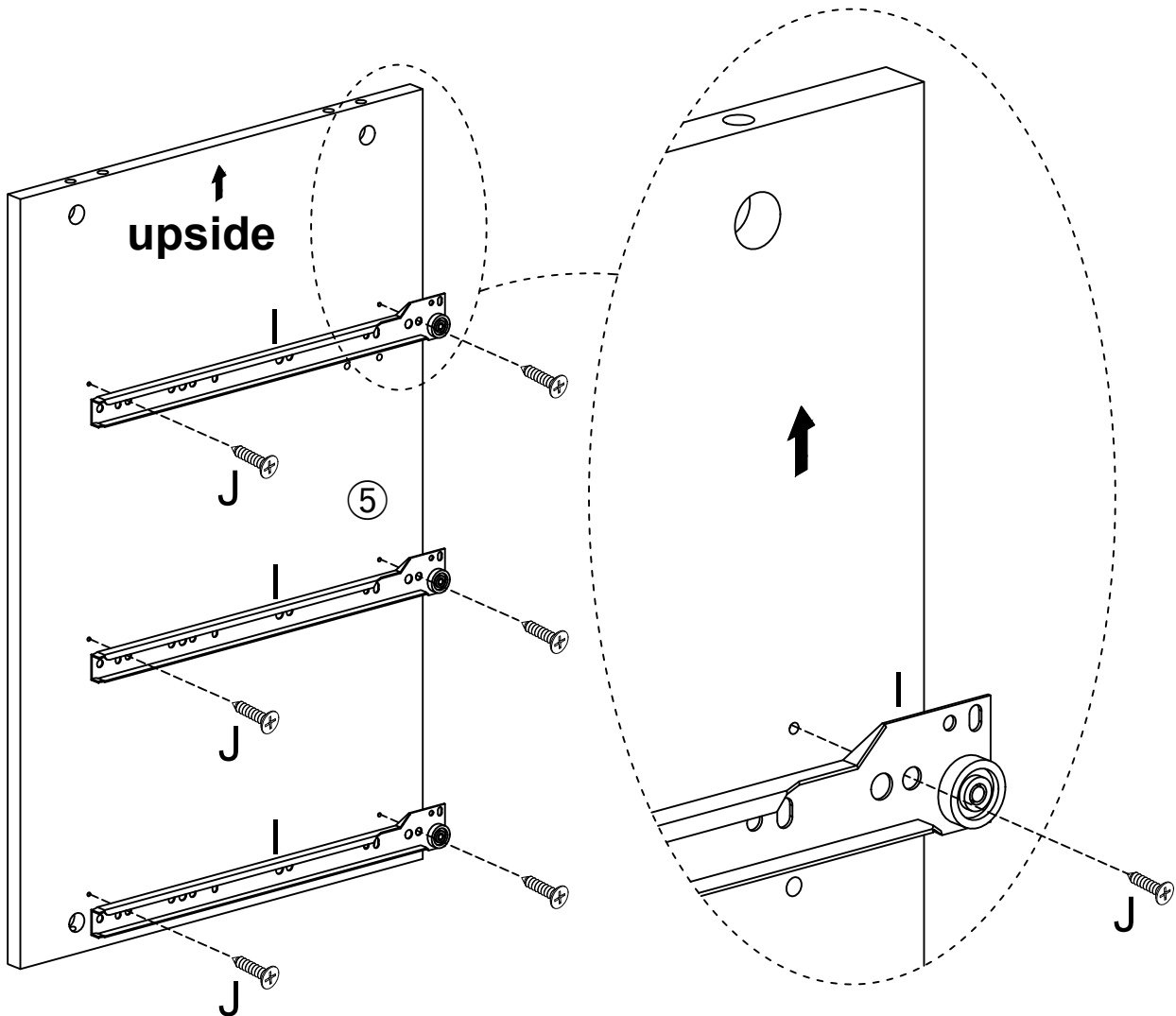
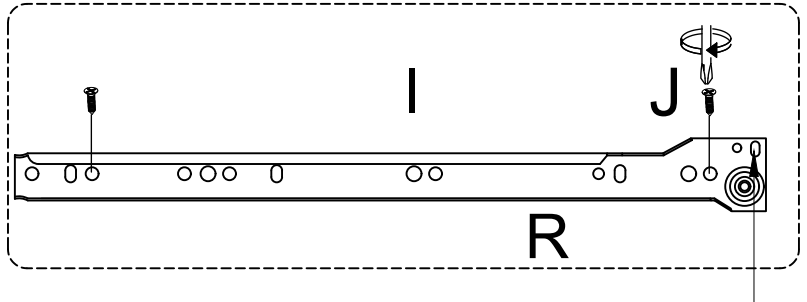
Step 4

| | |
|---|---|
| I | J |
|  R |  |
| X3 | X9 |

The slide (I) includes 4 parts and there is a sign on each part: L, R, DL and DR. We should take notes of this and install the correct part to the panel to make sure the dresser works.

- Install the part (R) of the drawer slide (I) on the left panel ⑤ as below shown
- Repeat to install the other 2 parts (R) on the panel ⑤ as below shown

The first hole in the UPPER row holes of the slide is without the corresponding pre-drilled hole, after fix the position of the slide and then screw on.



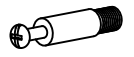
The screw (J) should be locked in the first hole against the pulley.

NOTE: When you screw the screws, please refer to the illustration carefully to make sure that the slide screws correspond to the position.

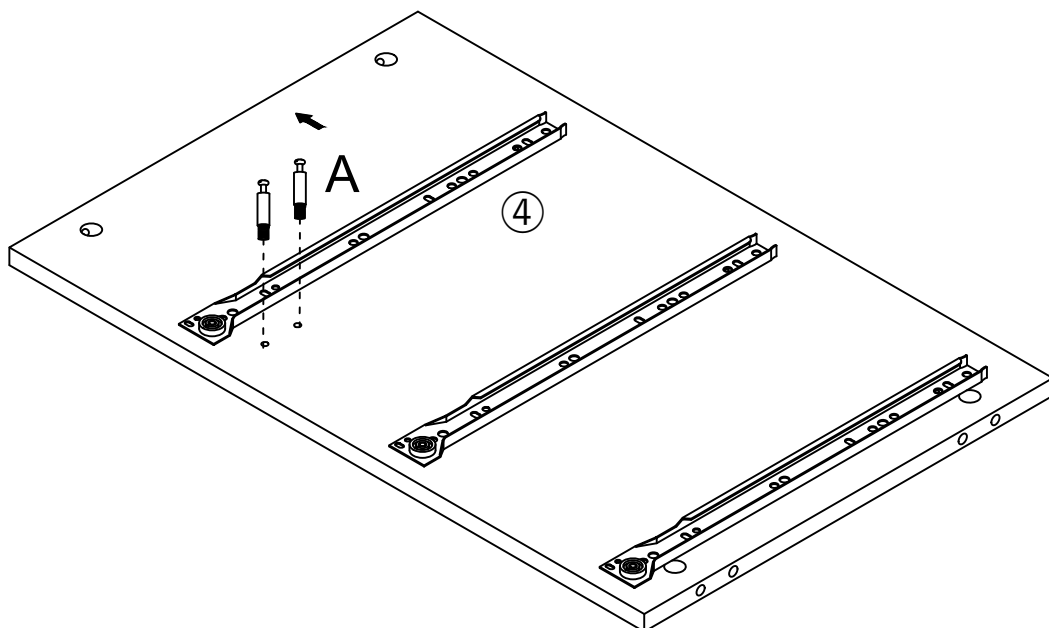
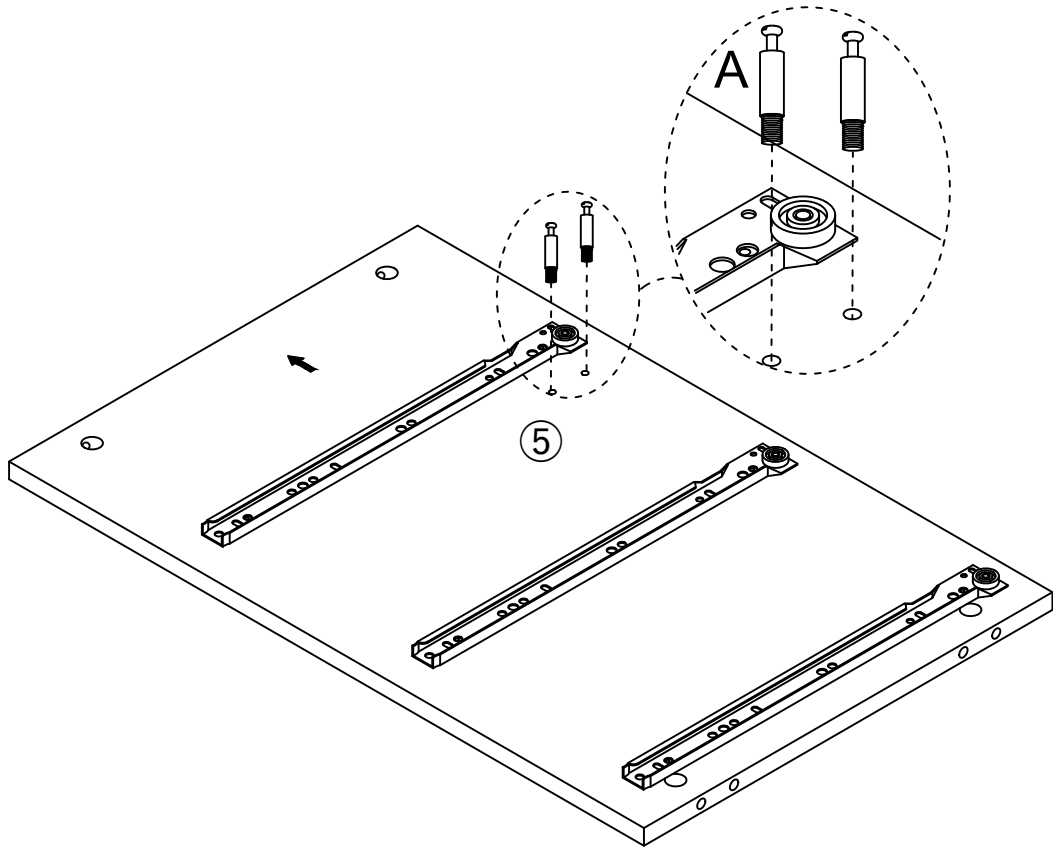
Step 5

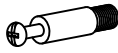

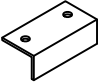
-Screw (A) to the panel ④ and ⑤ as below shown

A



X 4

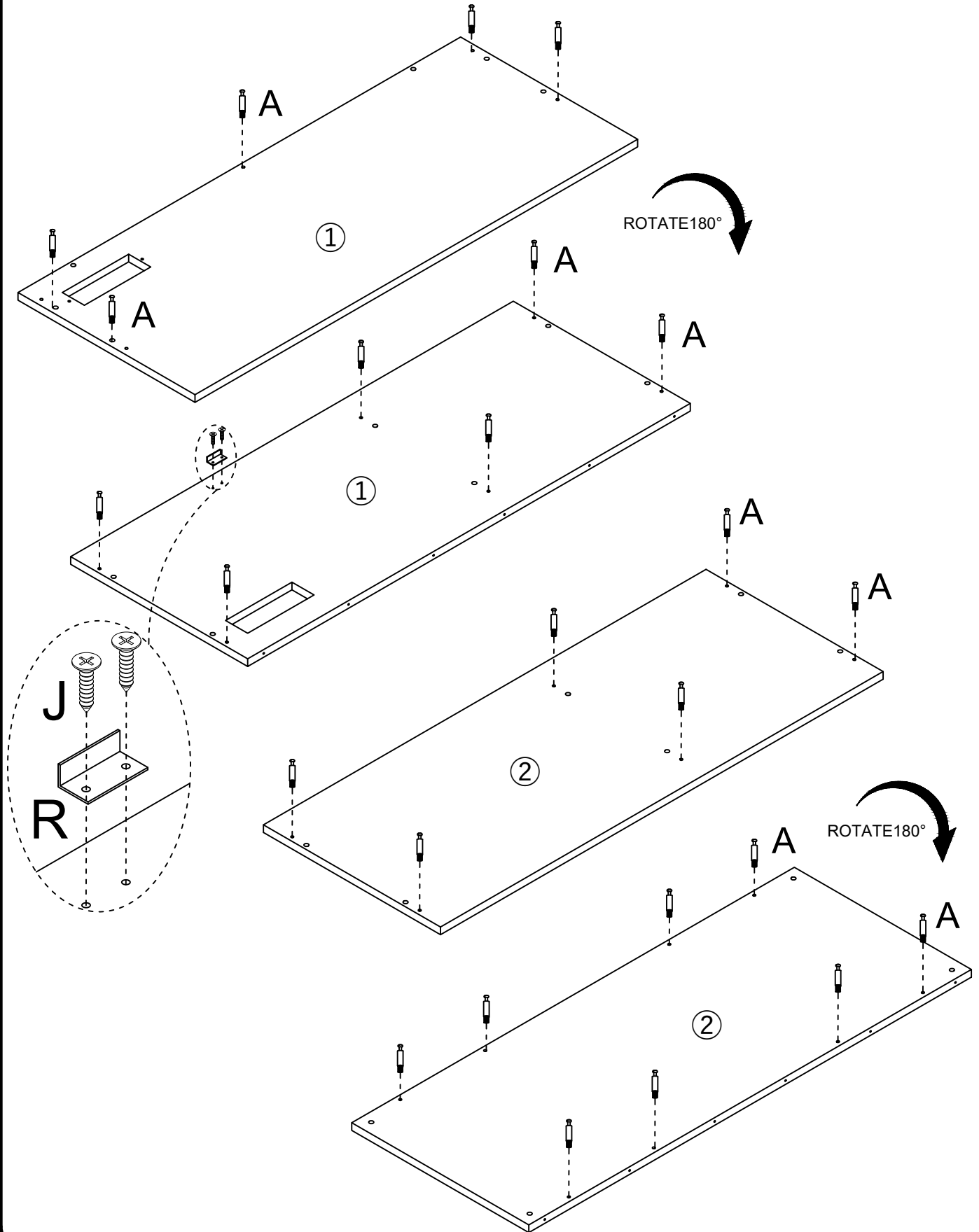


| A | J | R |
|---|---|---|
|  |  |  |
| X25 | X2 | X1 |

Step 6

-Screw (A) to the panel ① and ② as below shown

-Screw (J) to lock the (R) with the panel ① as below shown



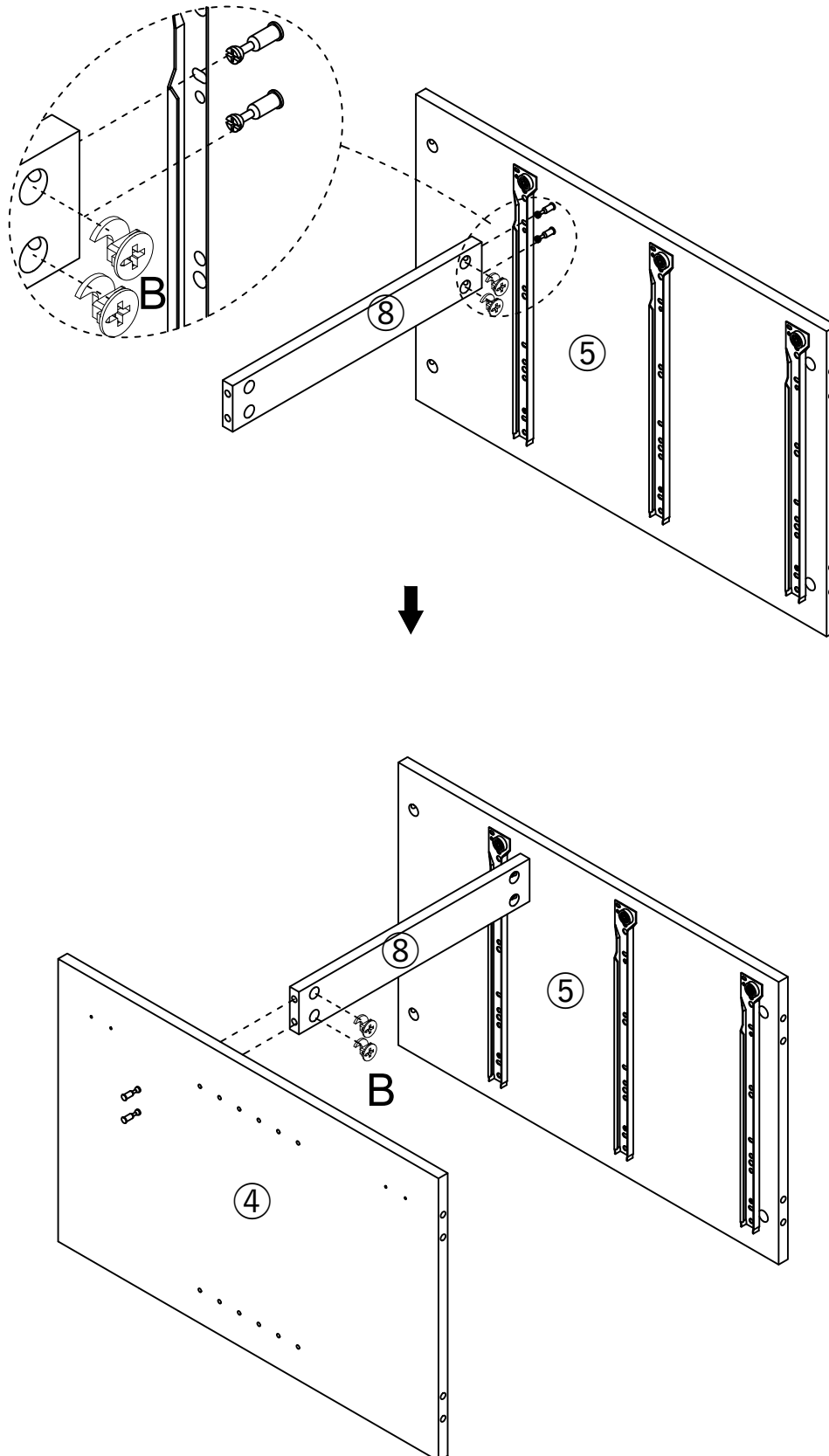
B





X4

Step 7

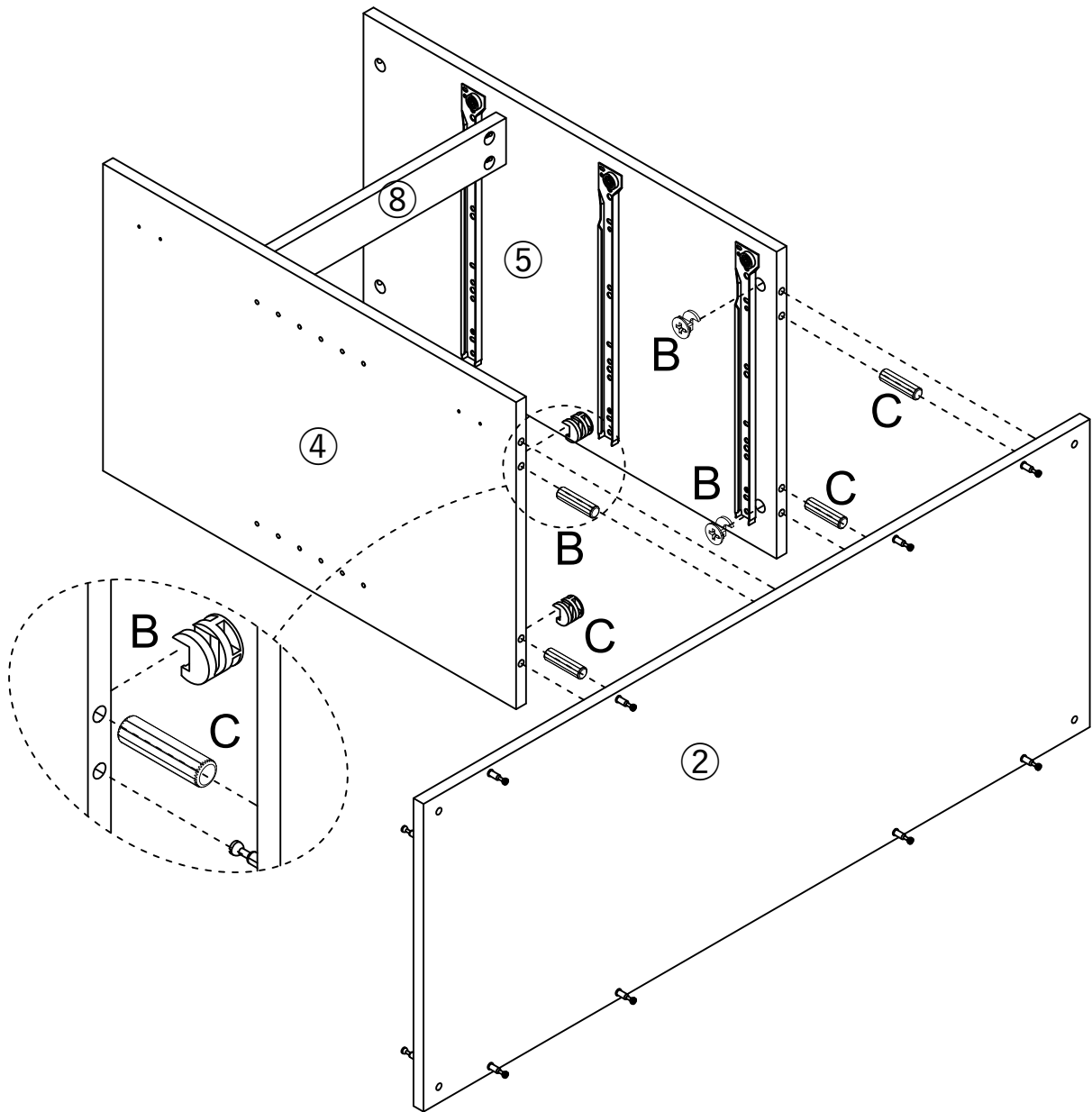
-Screw (B) to connect the panel ⑧ with the panel ④, ⑤ as below shown





Step 8

| B | C |
|---|---|
|  |  |
| X4 | X4 |

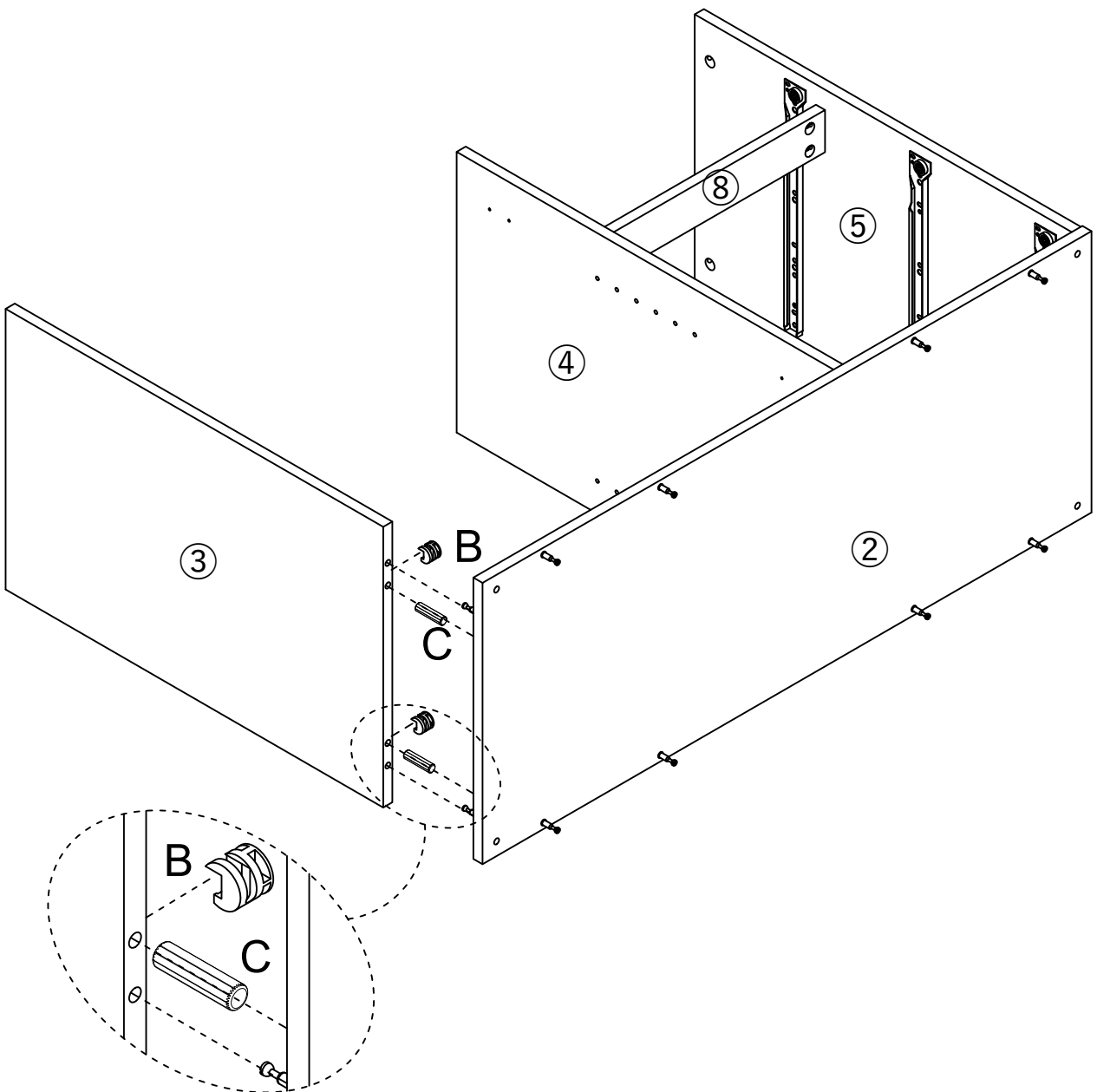
- Screw (C) to the panel ④ and ⑤ as below shown
- Attach the panel ② to the side boards ④ & ⑤ as below shown
- Screw (B) to lock the panel ④ & ⑤ with the panel ② as below shown





Step 9

| B | C |
|---|---|
|  |  |
| X2 | X2 |

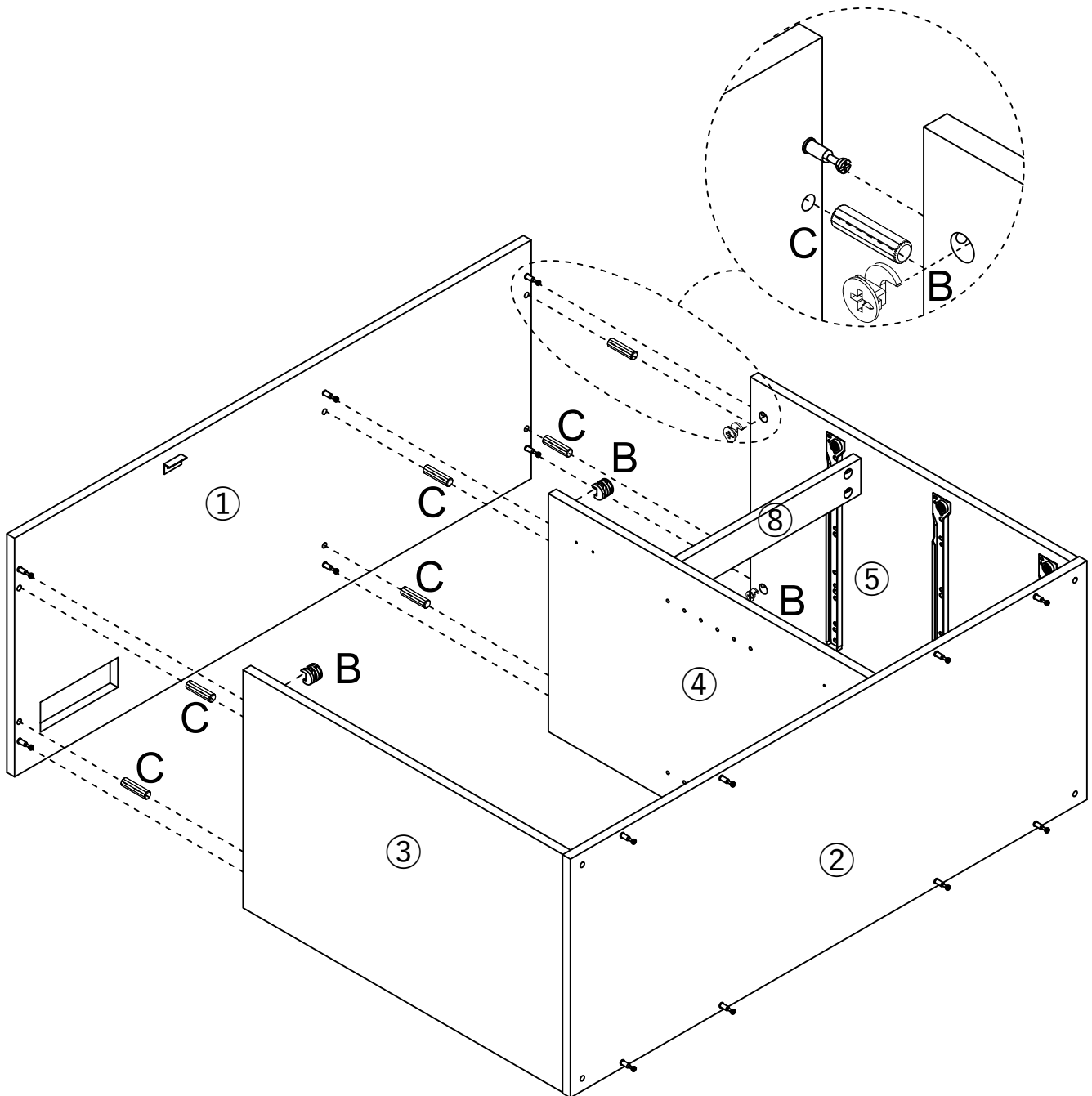
- Screw (C) to the panel ③ as below shown
- Attach the panel ③ to the side board ② as below shown
- Screw (B) to lock the panel ③ with the panel ② as below shown





Step 10

| B | C |
|---|---|
|  |  |
| X6 | X6 |

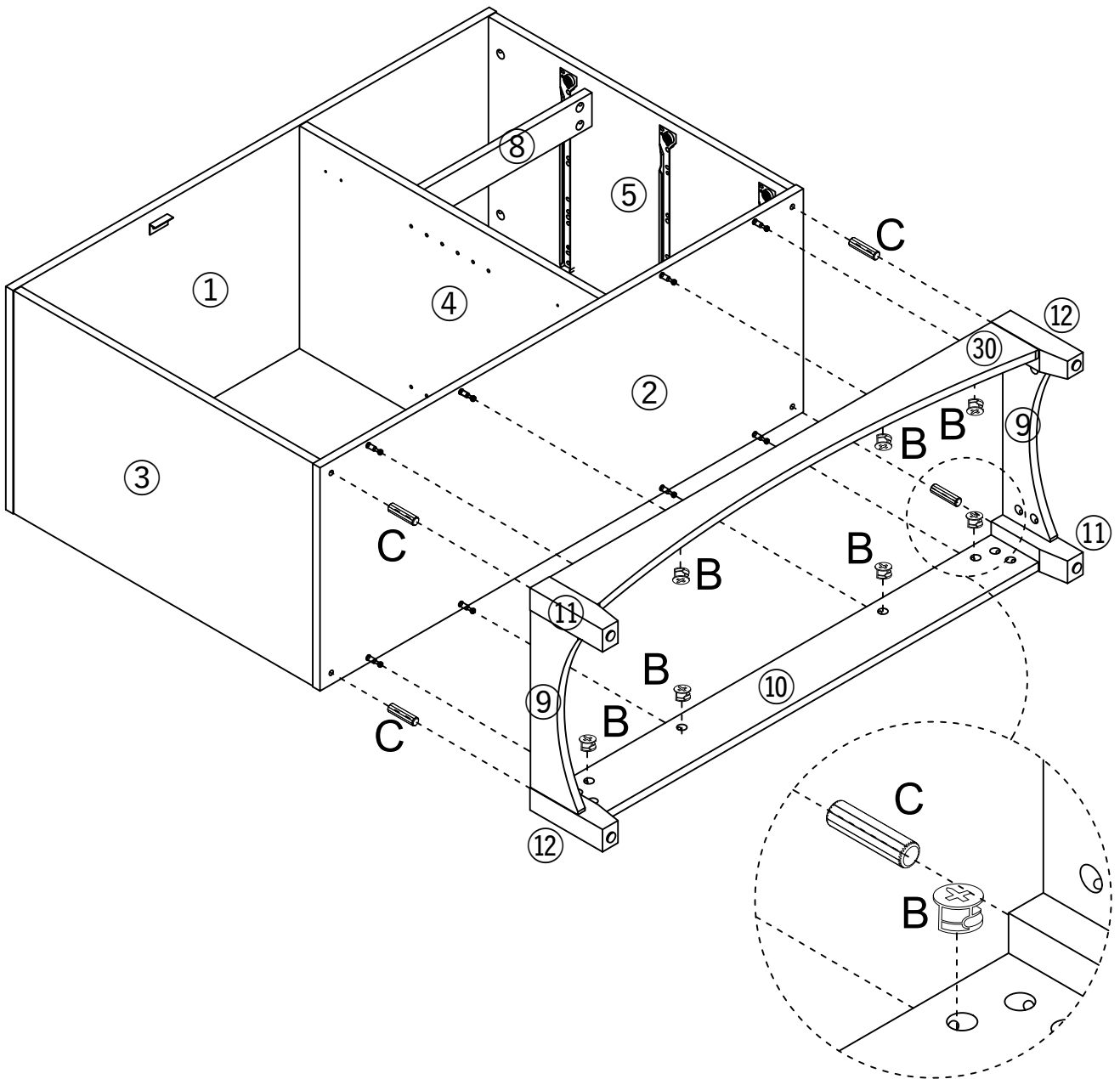
- Screw (C) to the panel ③, ④, ⑤ as below shown
- Attach the panel ① to the side boards ③ & ④ & ⑤ as below shown
- Screw (B) to lock the panel ③ & ④ & ⑤ with the panel ① as below shown



Step 11

| B | C |
|---|---|
|  |  |
| X8 | X4 |

- Screw (C) to the panel ⑪, ⑫ as below shown
- Attach the combination of the bottom base ⑨ & ⑩ & ⑪ & ⑫ & ③⑩ to the side board ② as below shown
- Screw (B) to lock the ⑩ & ③⑩ with the panel ② as below shown



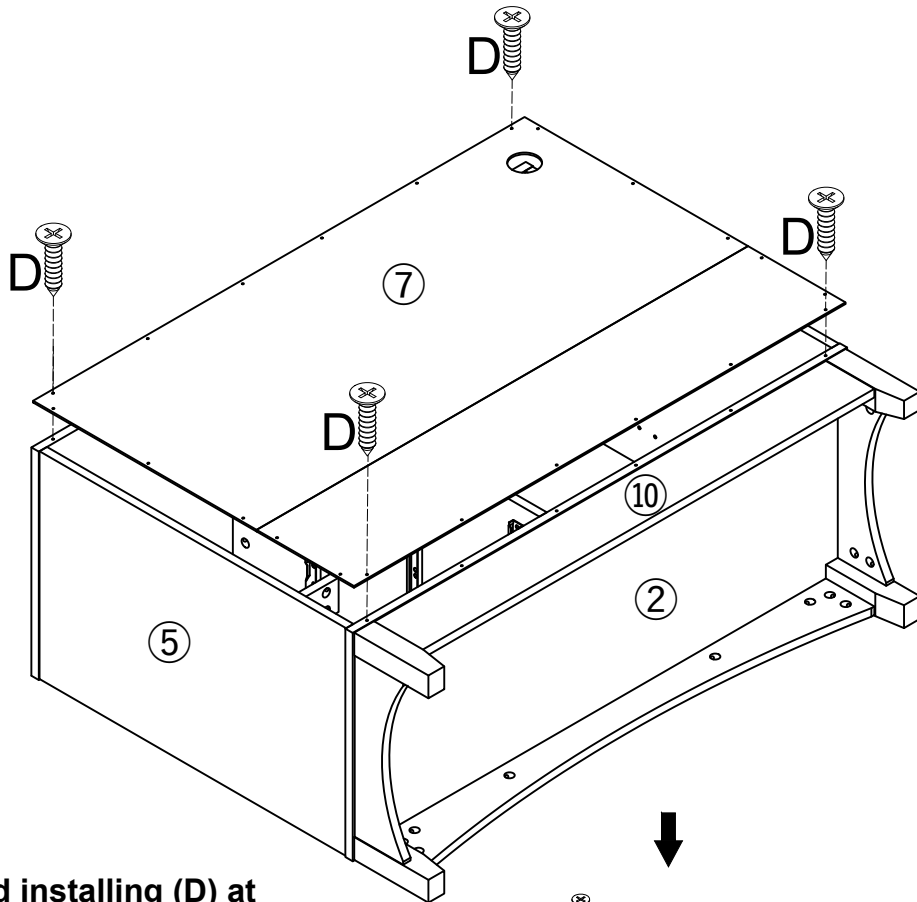
Step 12

-Screw (D) to install the back panel ⑦ as below shown

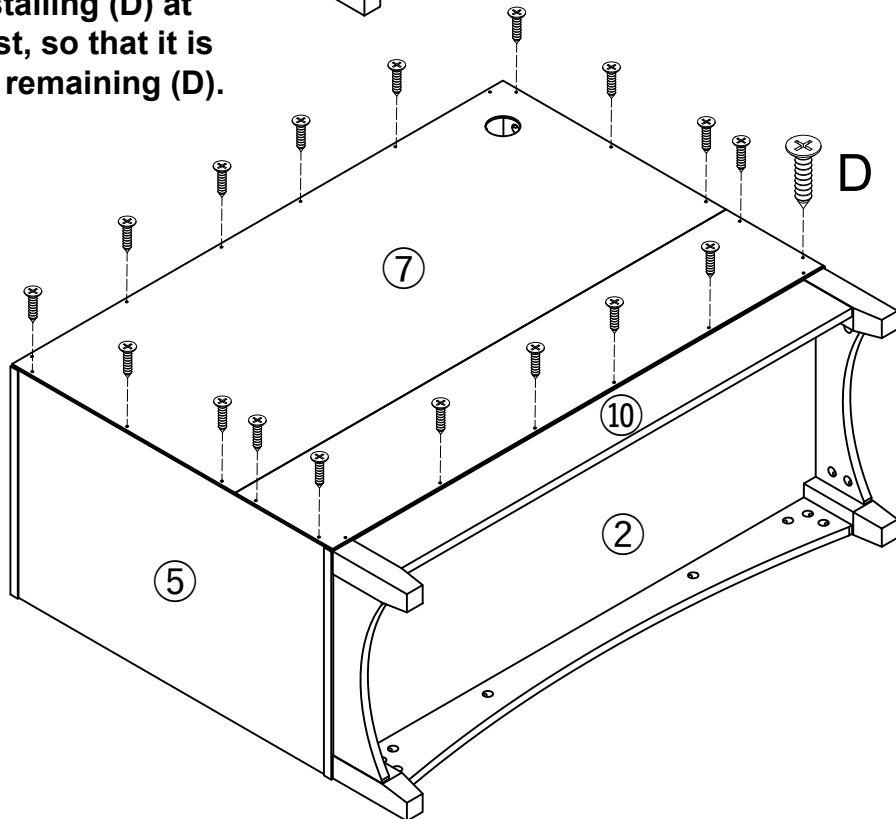
D



X22



We recommend installing (D) at the four corners first, so that it is easier to install the remaining (D).




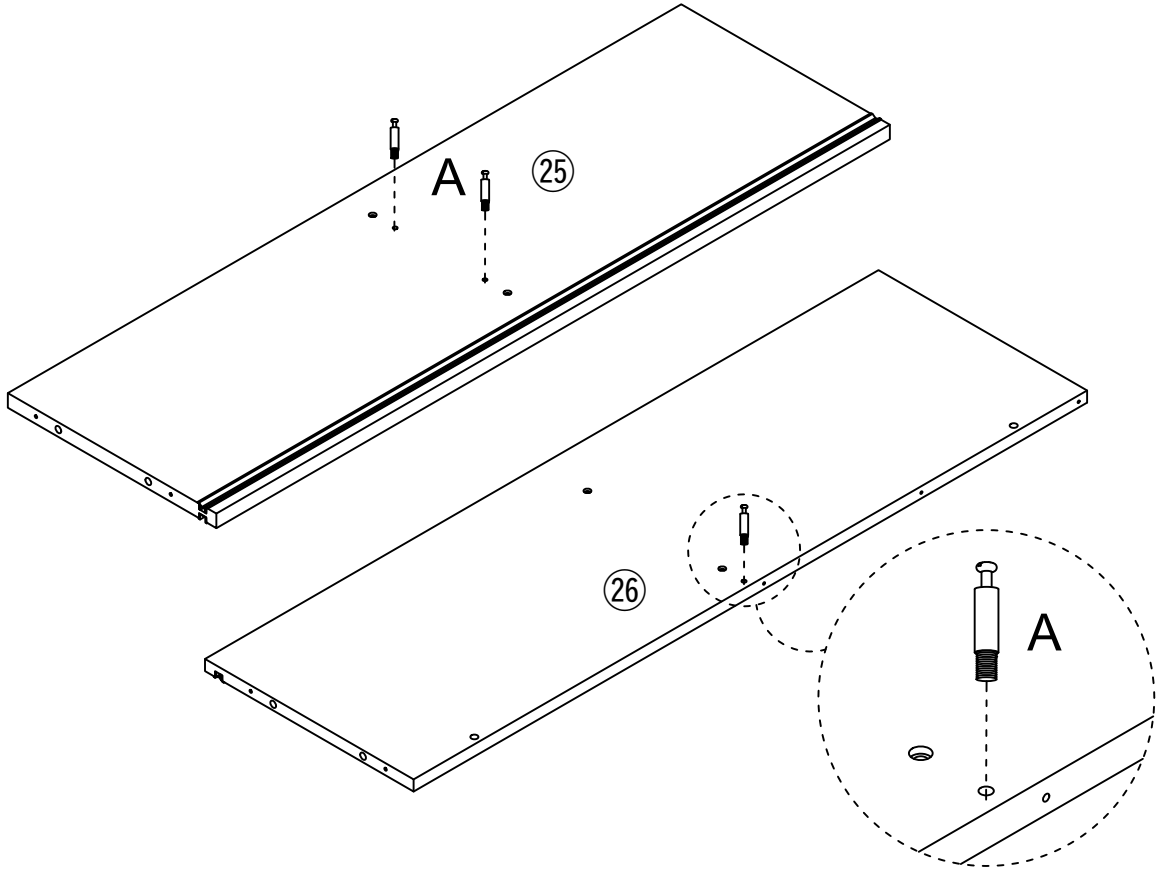
Warm Tips:

We recommend that to put the product upside down when you install the back panel, for screw the (D) easier.

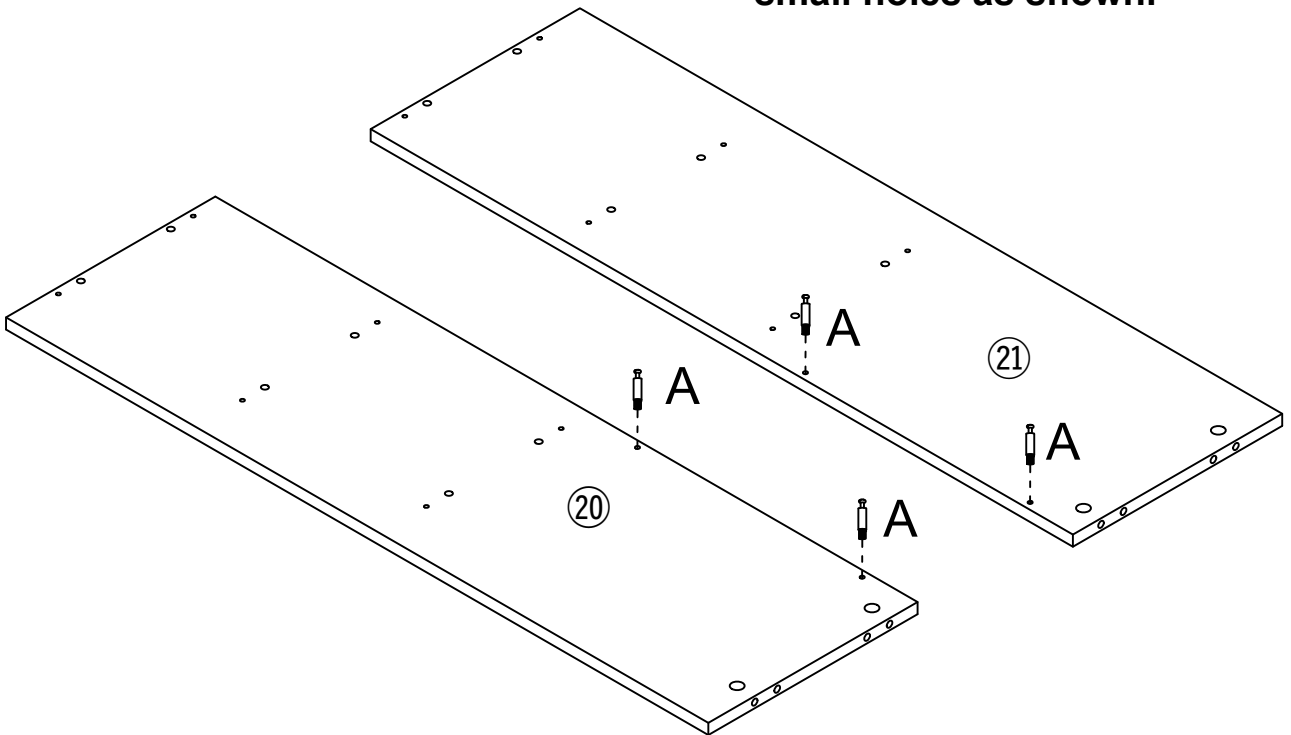
Step 13

-Screw (A) to the panel ⑳, ㉑, ㉕, ㉖ as below shown



| |
|---|
| A |
|  |
| X 7 |



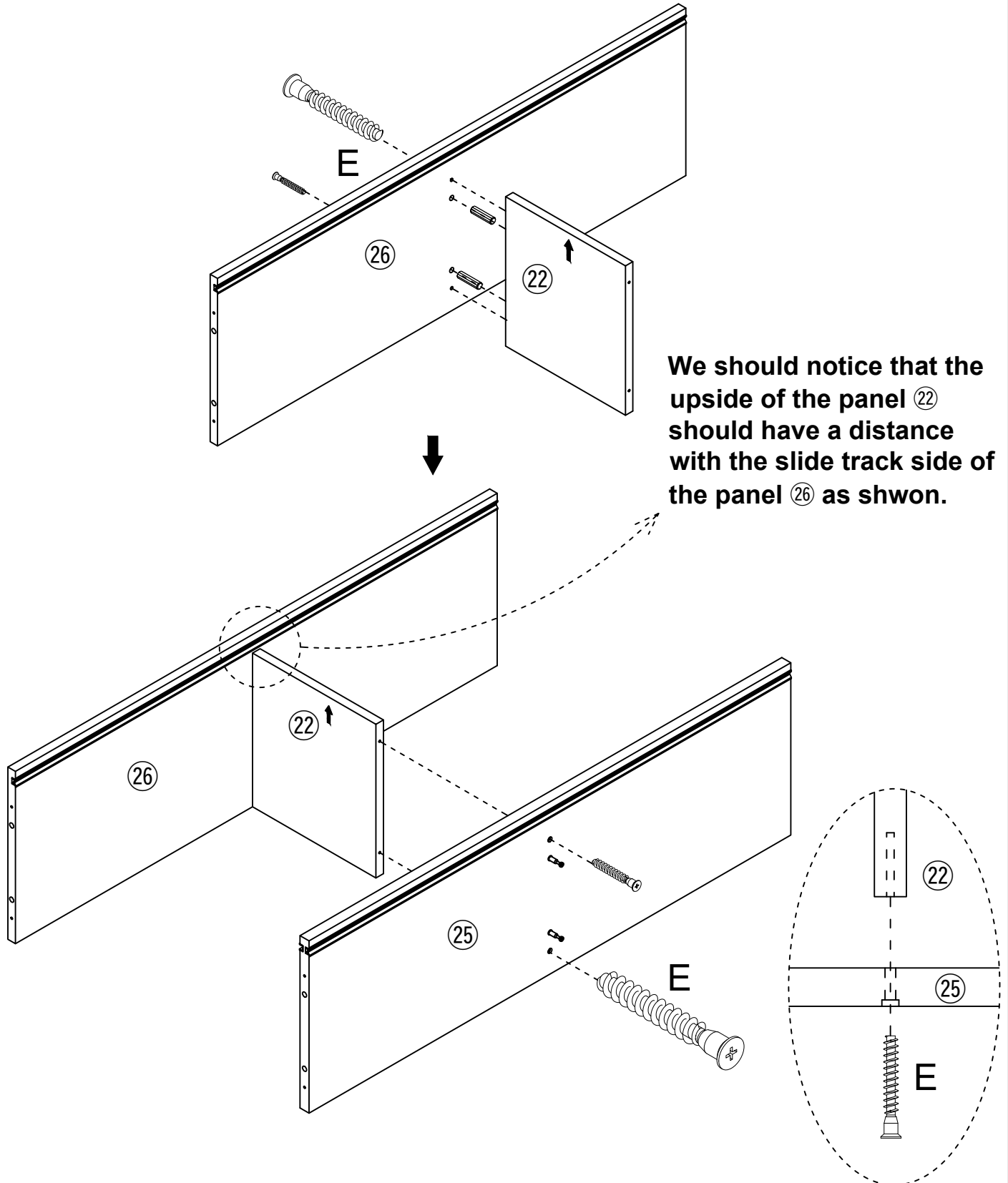
(A) should be screwed to the small holes as shown.






Step 14

| | |
|---|---|
| C | E |
|  |  |
| X2 | X4 |

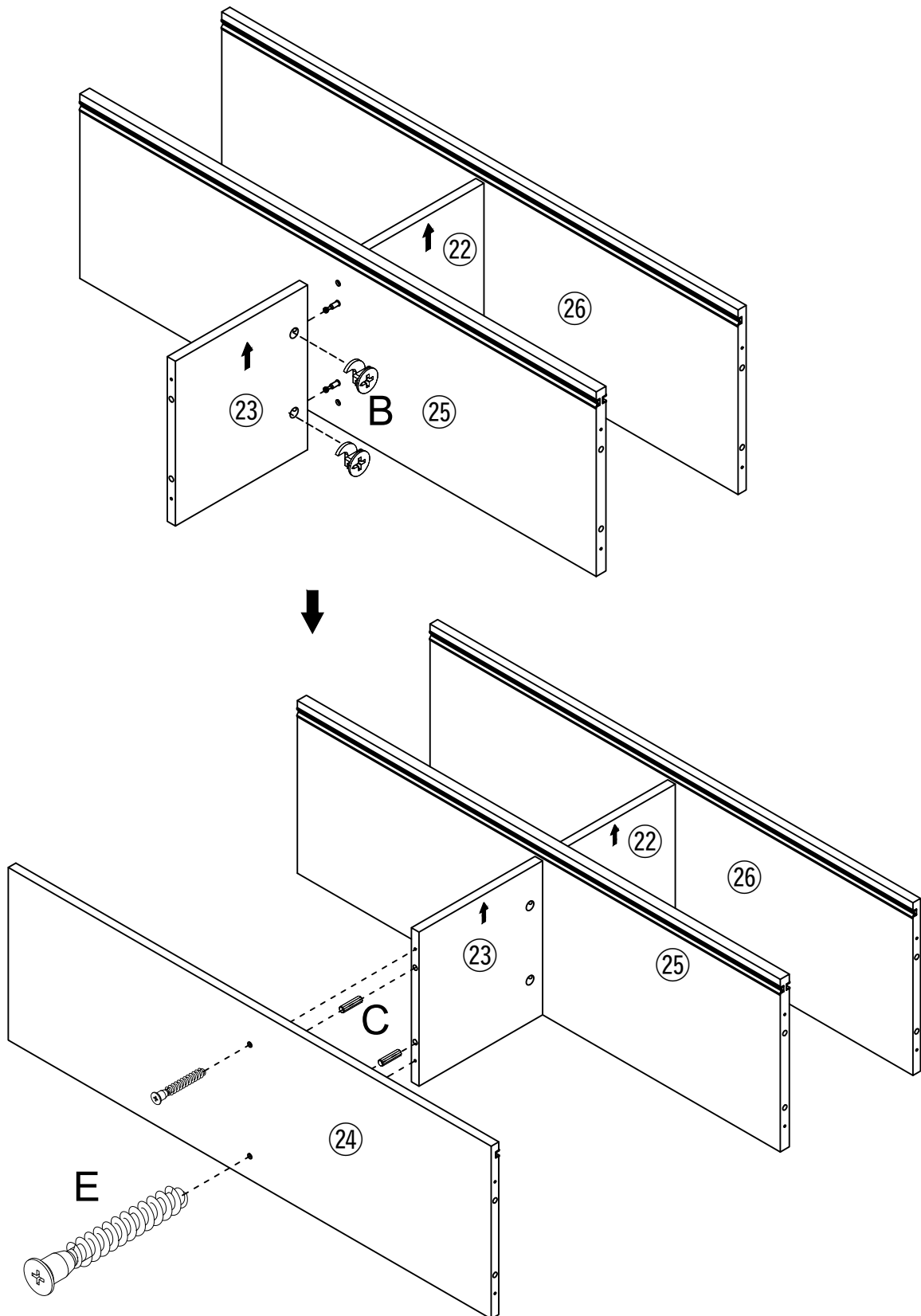
- Screw (C) to the panel ②② as below shown
- Screw (E) to lock the panel ②⑥ with ②② as below shown
- Screw (E) to lock the panel ②⑤ with ②② as below shown



Step 15


| B | C | E |
|---|---|---|
|  |  |  |
| X2 | X2 | X2 |

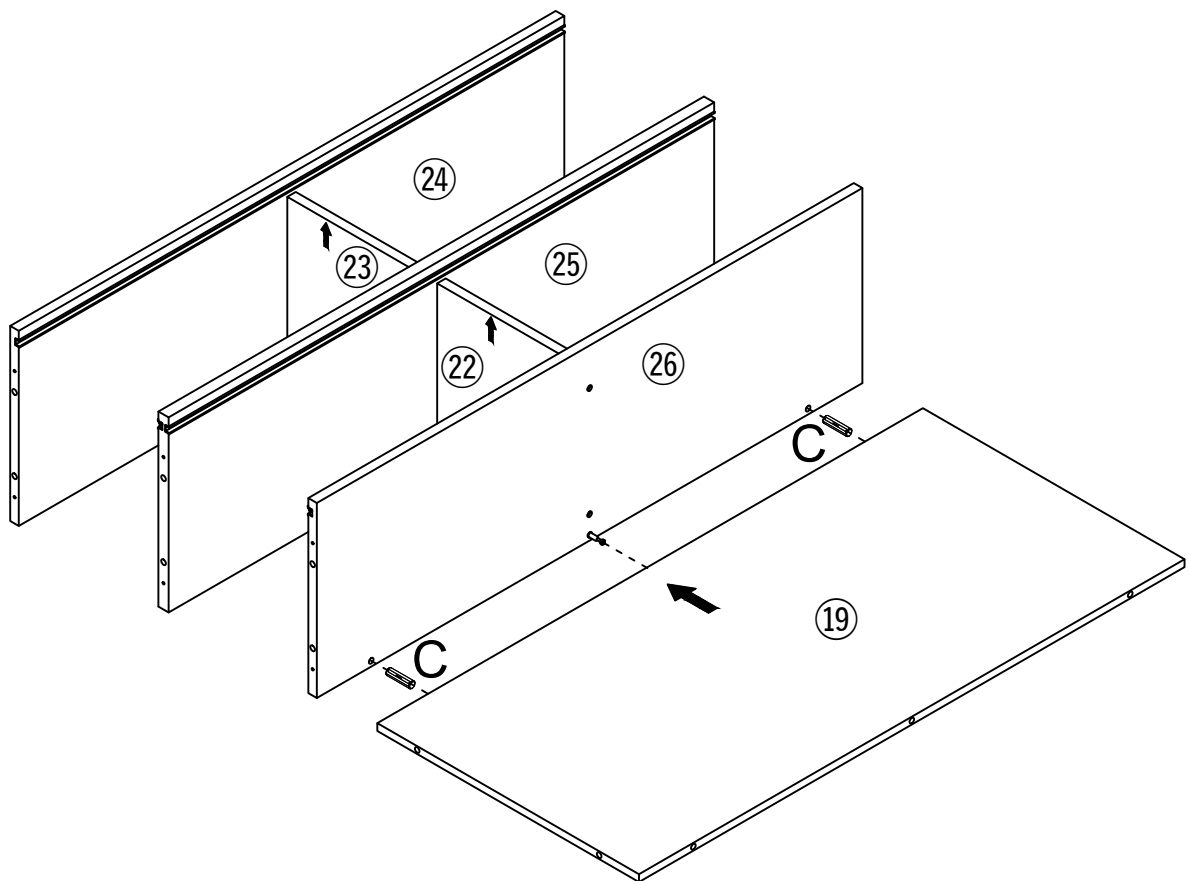
- Screw (B) to lock the panel ②③ with the panel ②⑤ as below shown
- Screw (C) to the panel ②③ as below shown
- Screw (E) to lock the panel ②④ with the panel ②③ as below shown





Step 16

- Screw (C) to the panel ⑱ as below shown
- Attach the panel ⑱ with the panel ⑳ as below shown

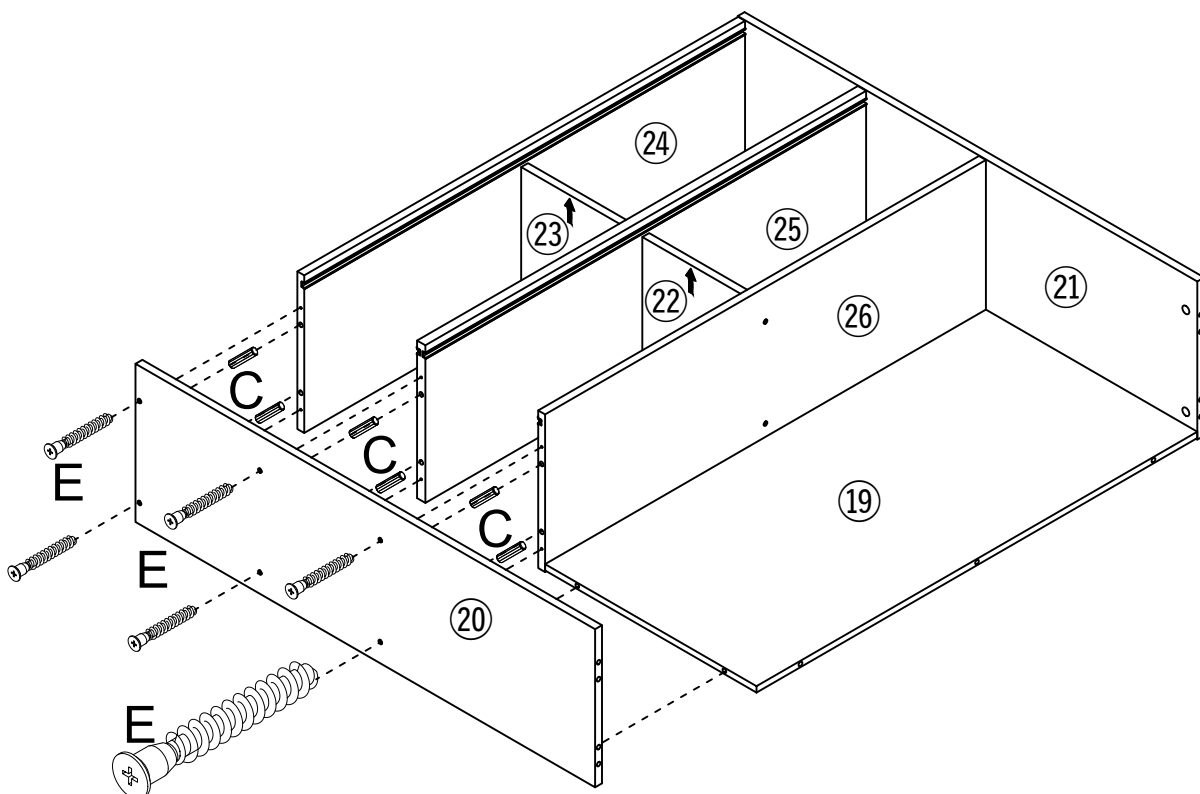
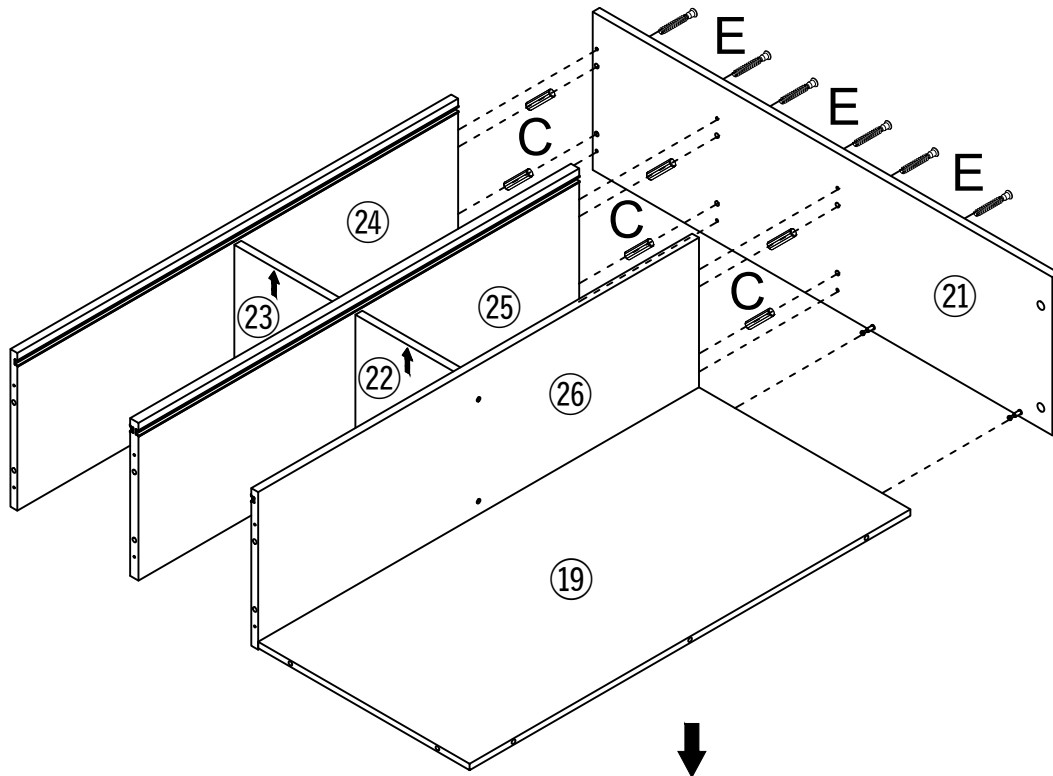
| |
|---|
| C |
|  |
| X2 |



Step 17




| C | E |
|---|---|
|  |  |
| X12 | X12 |

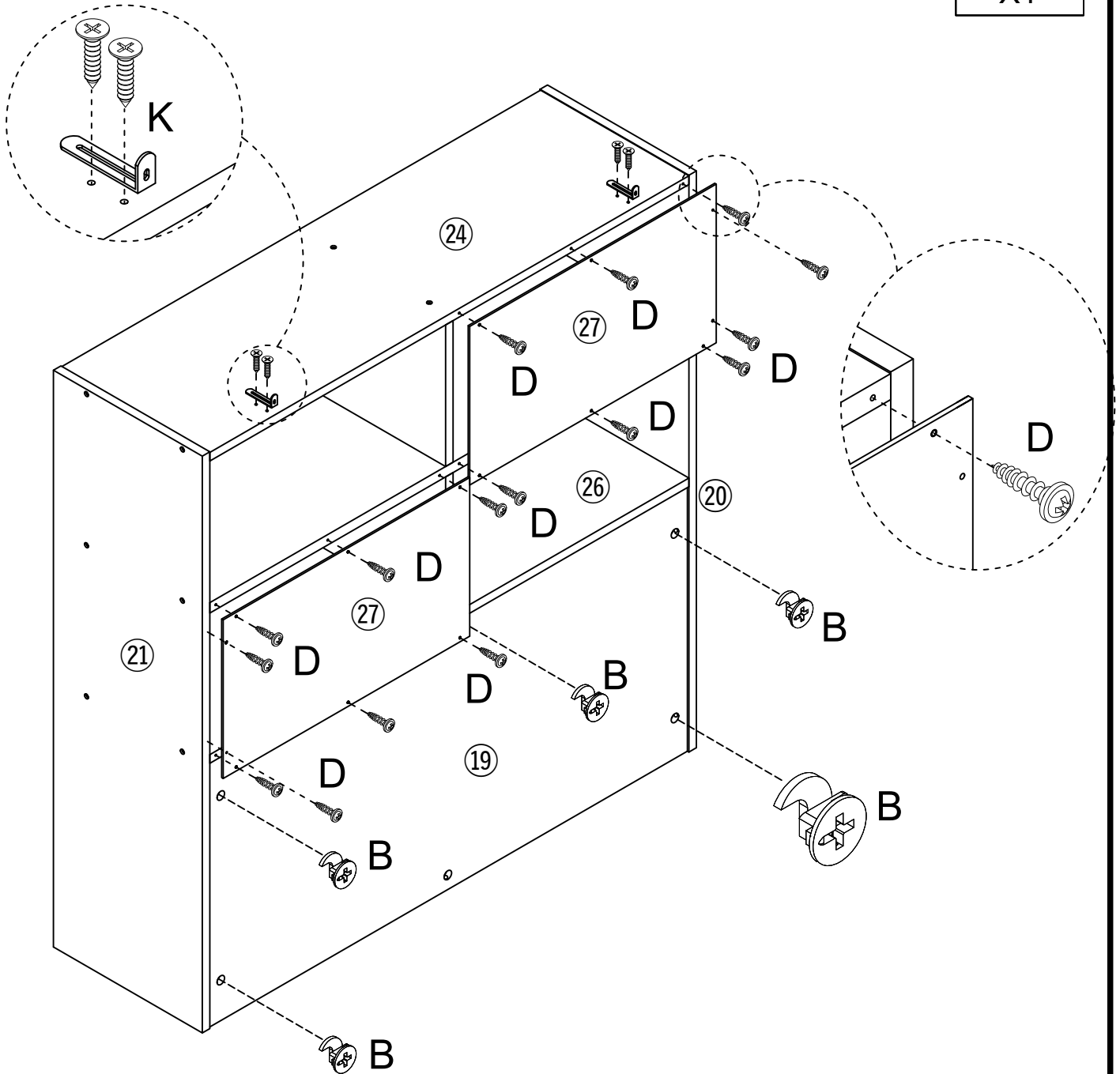
- Screw (C) to the panel ⑳, ㉔, ㉕, ㉖ as below shown
- Screw (E) to lock the panel ㉑ with the combination of ㉔ & ㉕ & ㉖ as below shown
- Repeat the last operation to lock the panel ㉒ with the combination of ㉔ & ㉕ & ㉖ below shown





Step 18

- Screw (D) to install both back panel (27) as below shown
- Fix the anti-tip device to the top panel (24) as below shown
- Screw (B) to install the back panel (19) as below shown

| | |
|---|---|
| B | D |
|  |  |
| X5 | X16 |
| | K |
|  | |
| | X1 |

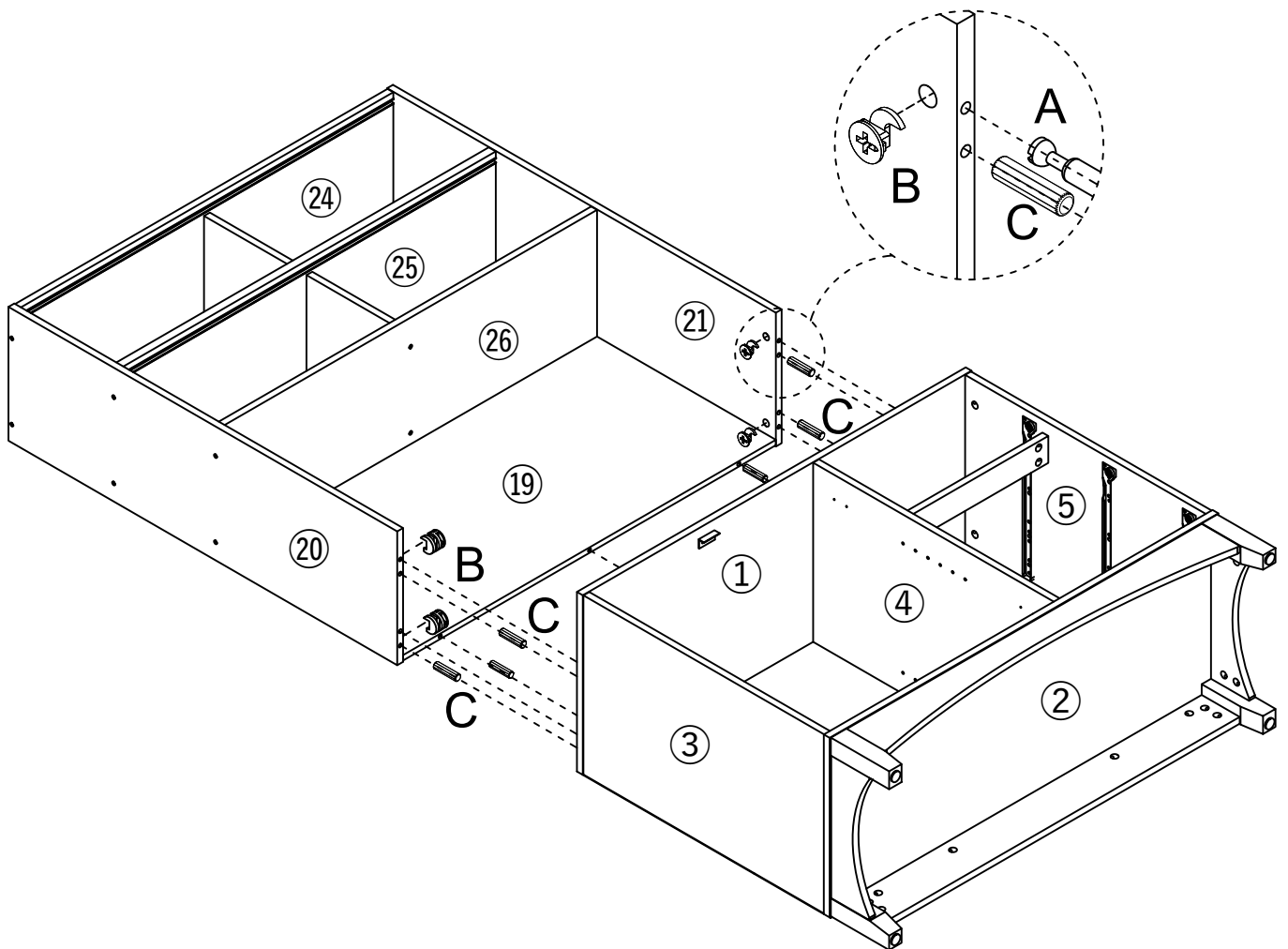


Step 19

| B | C |
|---|---|
|  |  |
| X4 | X6 |

-Screw (C) to the panel ①⑨ & ②⑦ & ③① as below shown

-Screw (B) to connect the two part of the cabinet as below shown



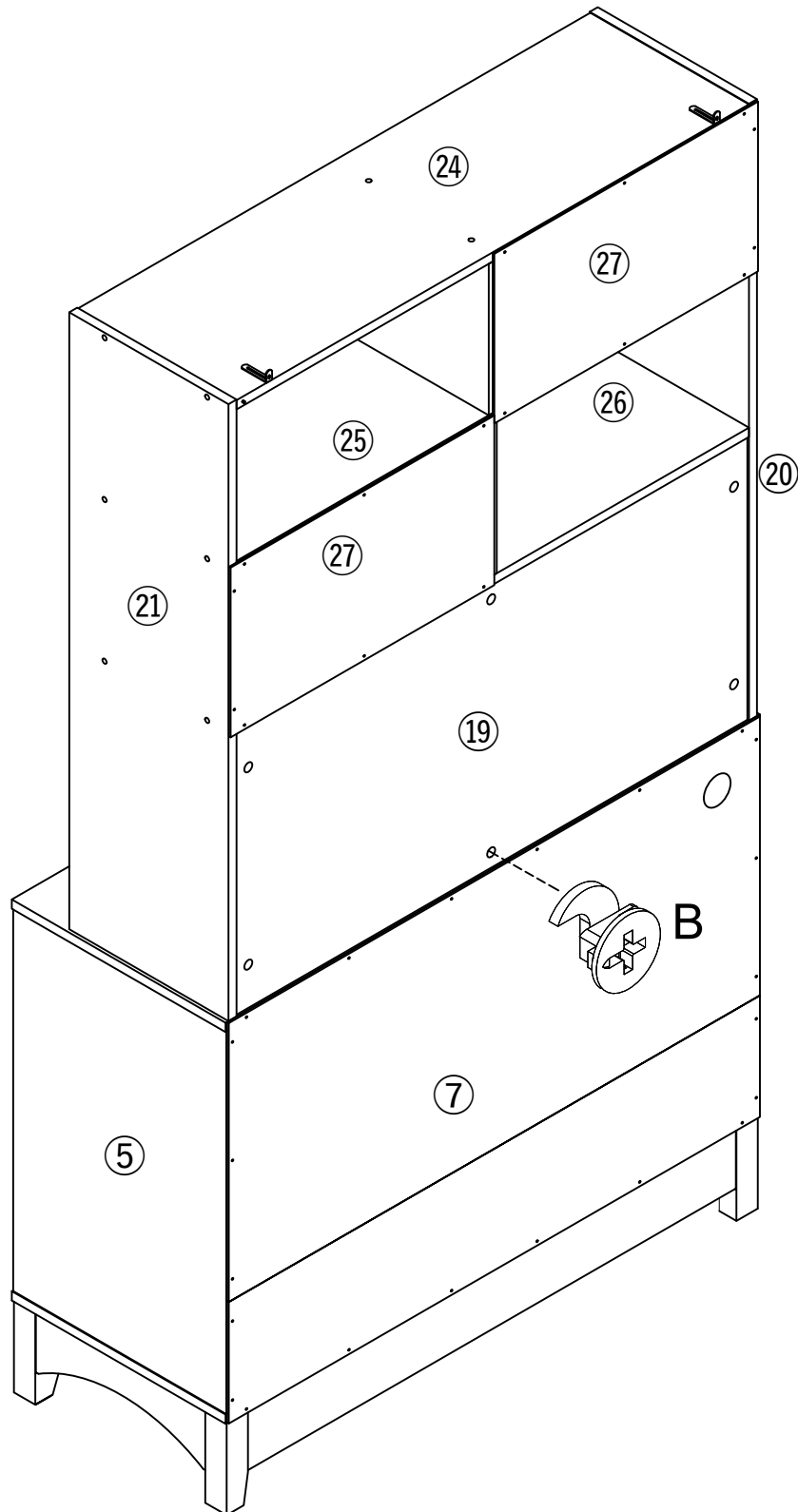
Step 20

B



X1

-Screw (B) to lock the back panel ⑱ with the panel ① as below shown



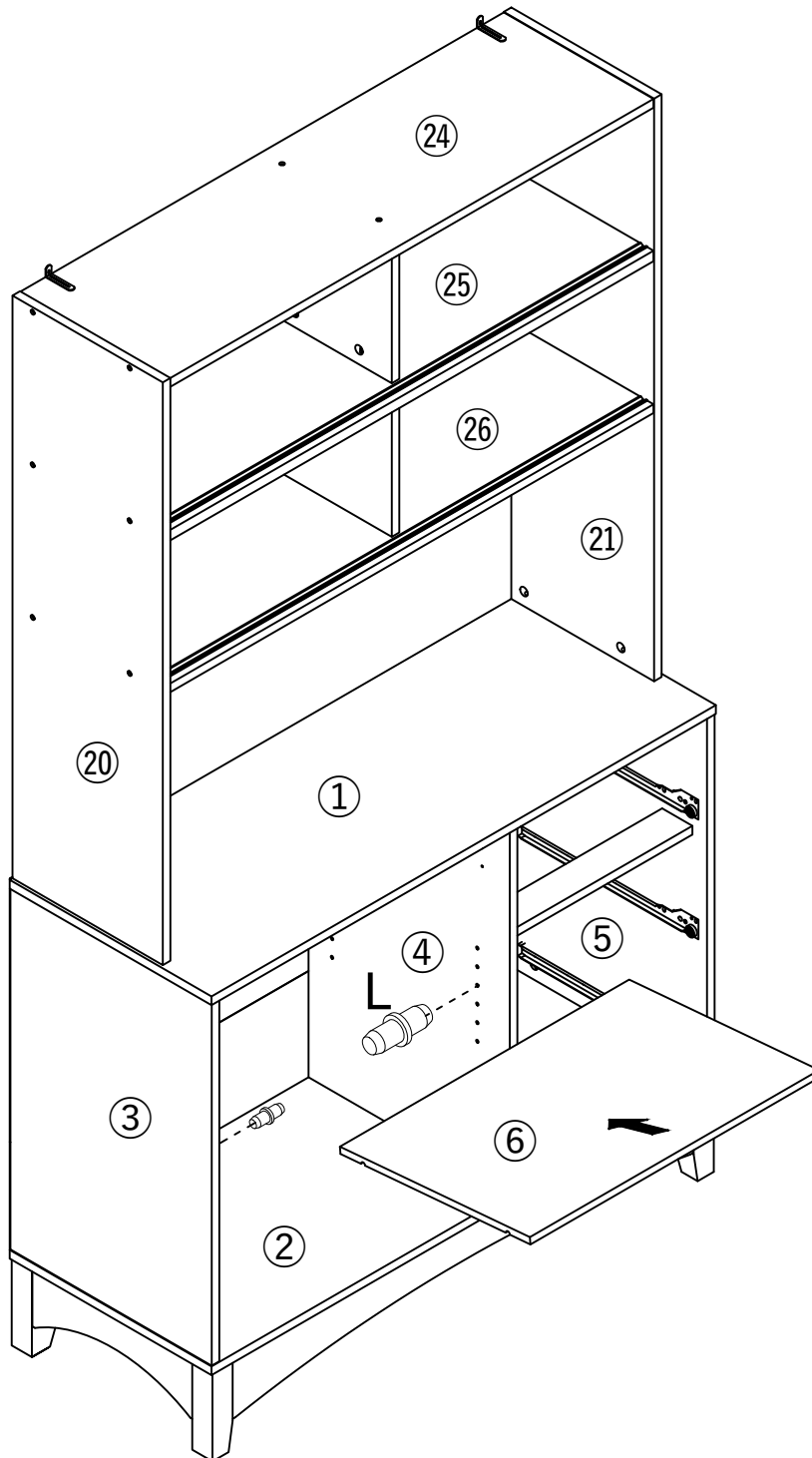
Step 21

- Insert (L) to the panel ③ and ④ as below shown
- Put the cabinet shelf ⑥ in as below shown

L

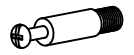


X4



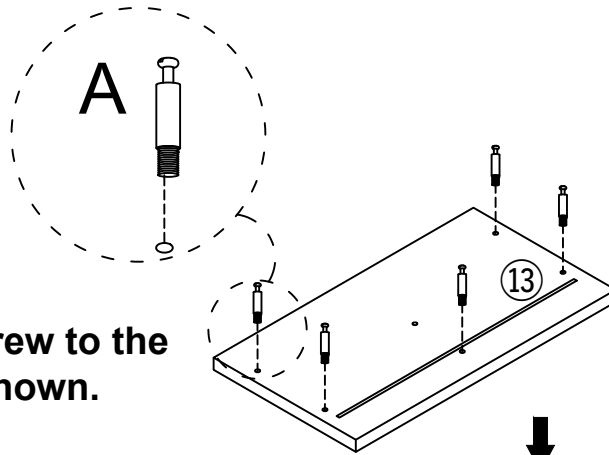
Step 22

A



X15

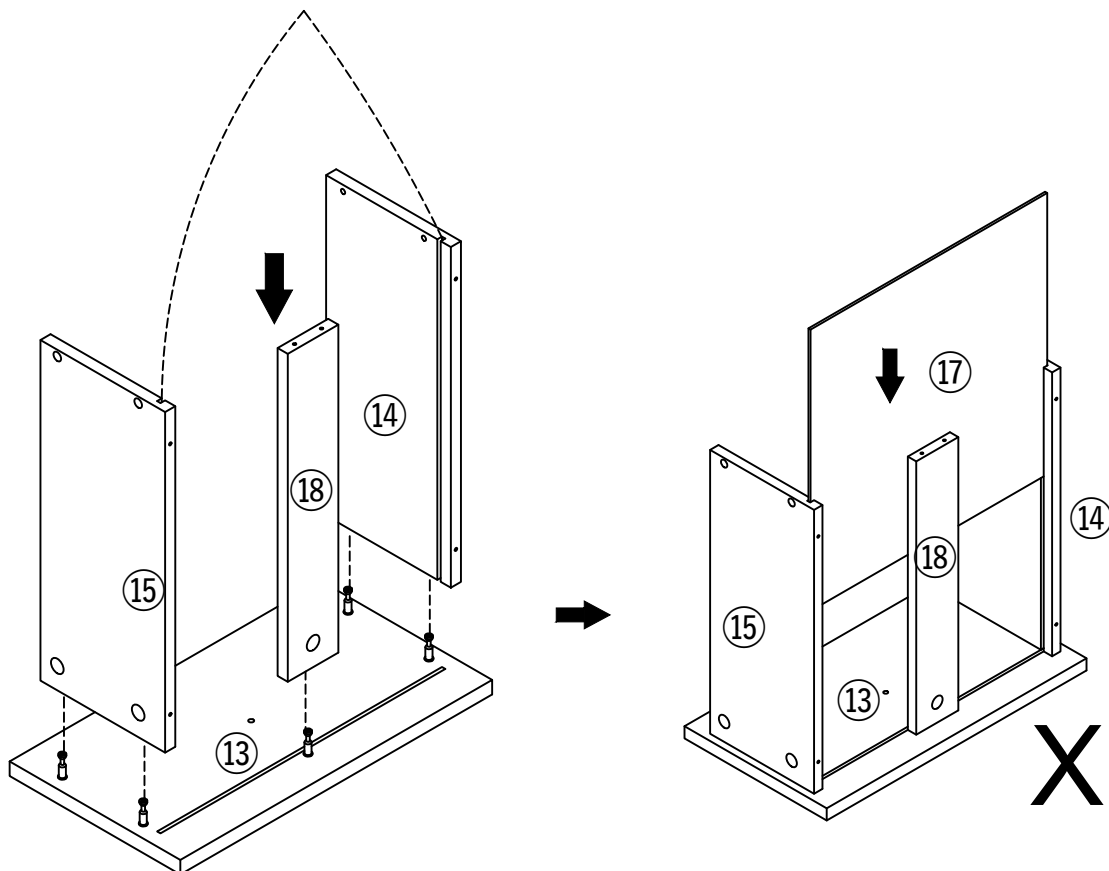
- Screw (A) to the panel ⑬ as below shown
- Attach the panel ⑭, ⑮, ⑱ to ⑬ as below shown
- Insert the drawer bottom panel ⑰ as below shown



(A) should be screw to the small holes as shown.



X 3

The long groove is used to install the bottom plate, make sure to take note of installing the grooves of these boards on the same side.

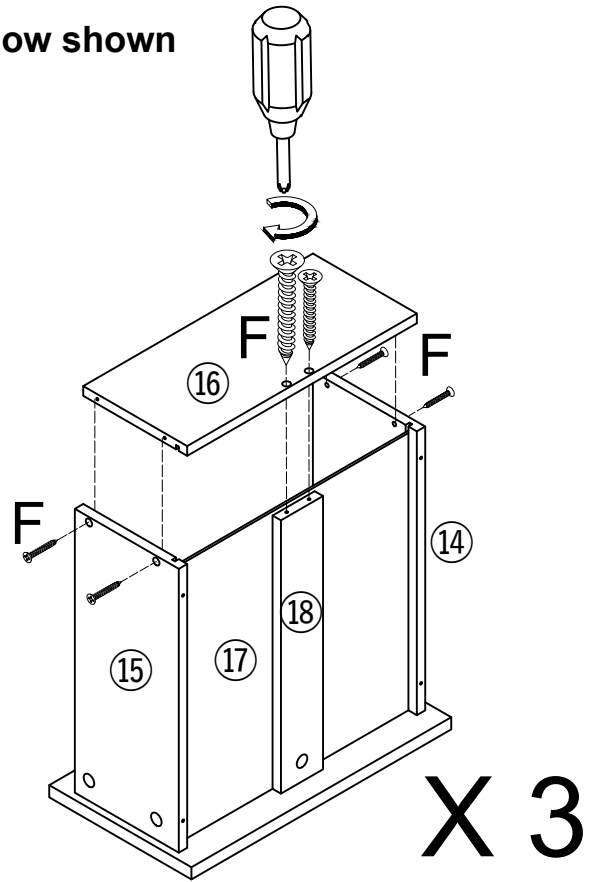
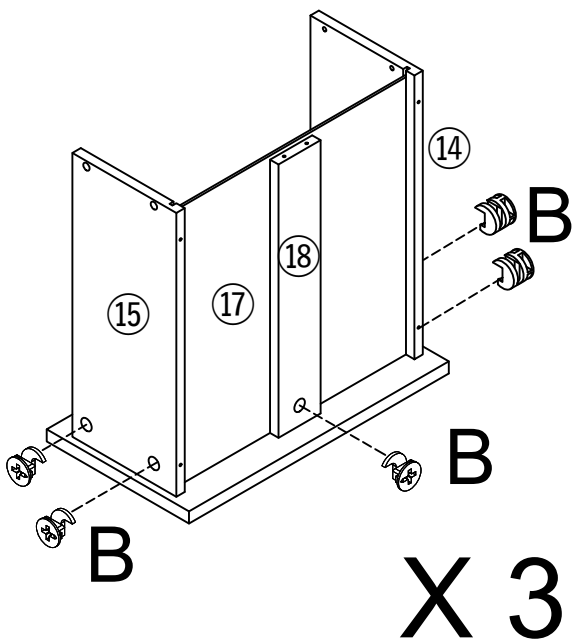


X 3



Step 23

| | |
|---|---|
| B | F |
|  |  |
| X15 | X18 |

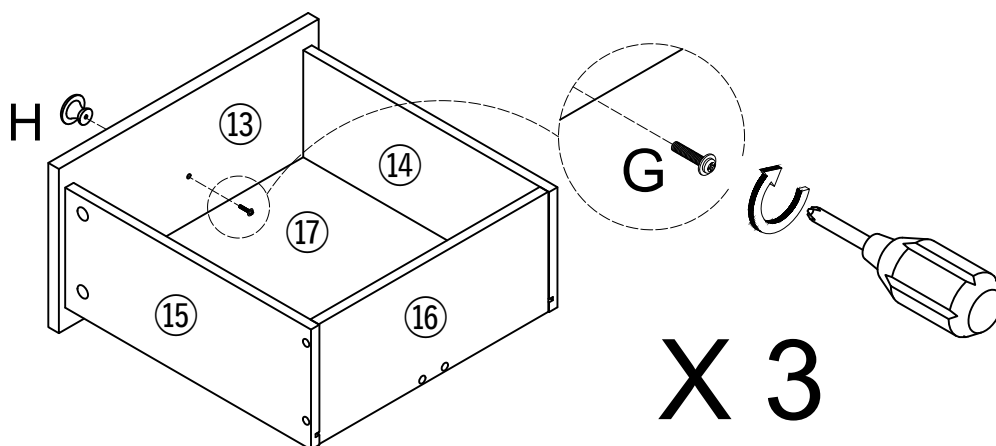
- Screw (B) to lock the ⑭, ⑮ and ⑱ with the panel ⑬ as below shown
- Attach the panel ⑯ as below shown
- Screw (F) to lock ⑭ & ⑮ & ⑱ with ⑯ as below shown



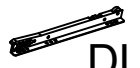


Step 24

| | |
|---|---|
| G | H |
|  |  |
| X3 | X3 |

- Use (G) to lock the drawer knob (H) to the panel ⑬ as below shown



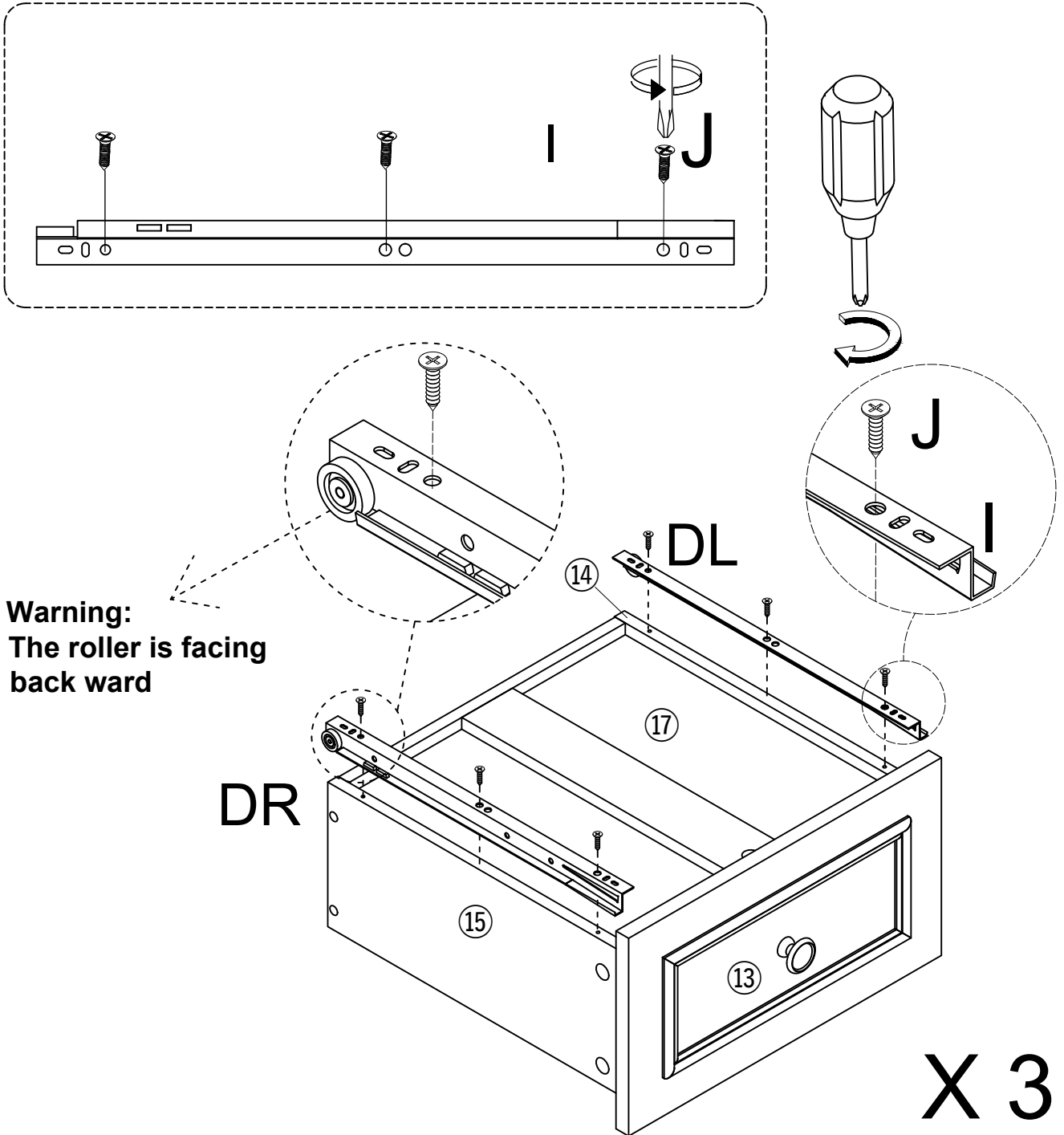
Step 25

| | | |
|--|--|---|
| I | I | J |
|  DL |  DR |  |
| X3 | X3 | X18 |

-There is a sign on each slide like DL or DR. We mark them as below shown and we suggest you check it carefully to avoid installing in a wrong way.

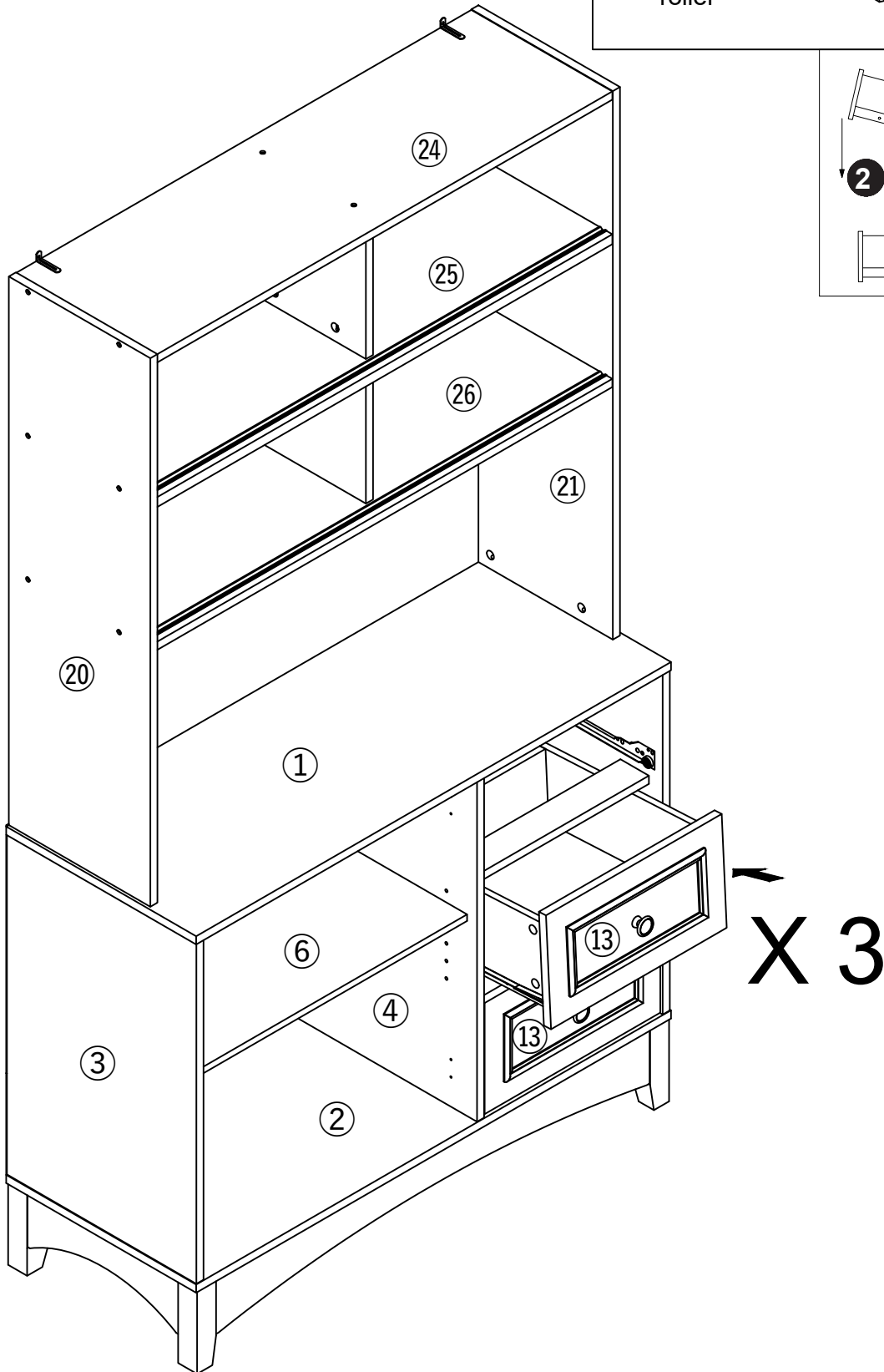
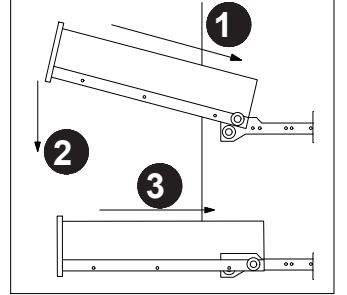
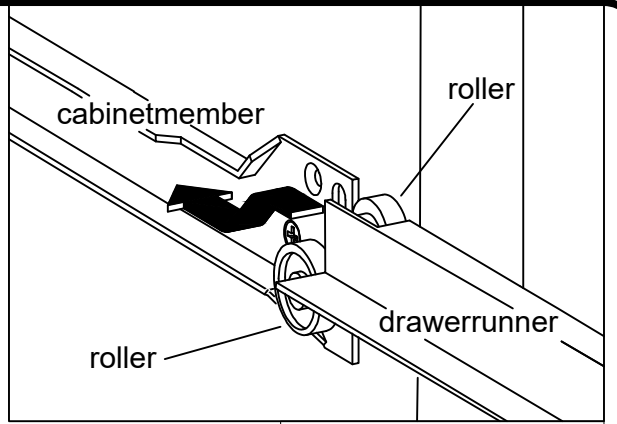
-Install the drawer slides (I) on the drawer side panels (14) & (15) as below shown

If necessary, install another screw in the middle of the drawer slide.



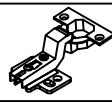



Repeat the previous step to install the remaining drawers.

Step 26

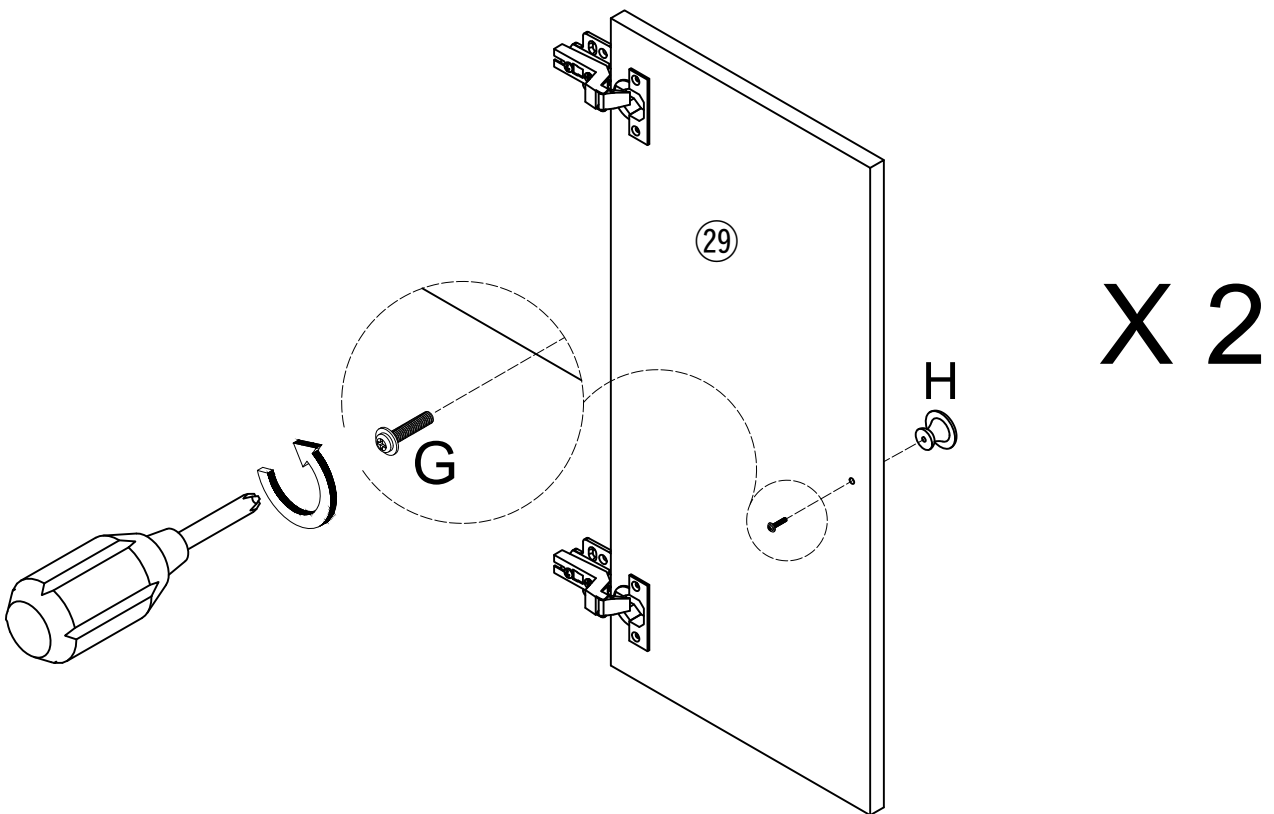
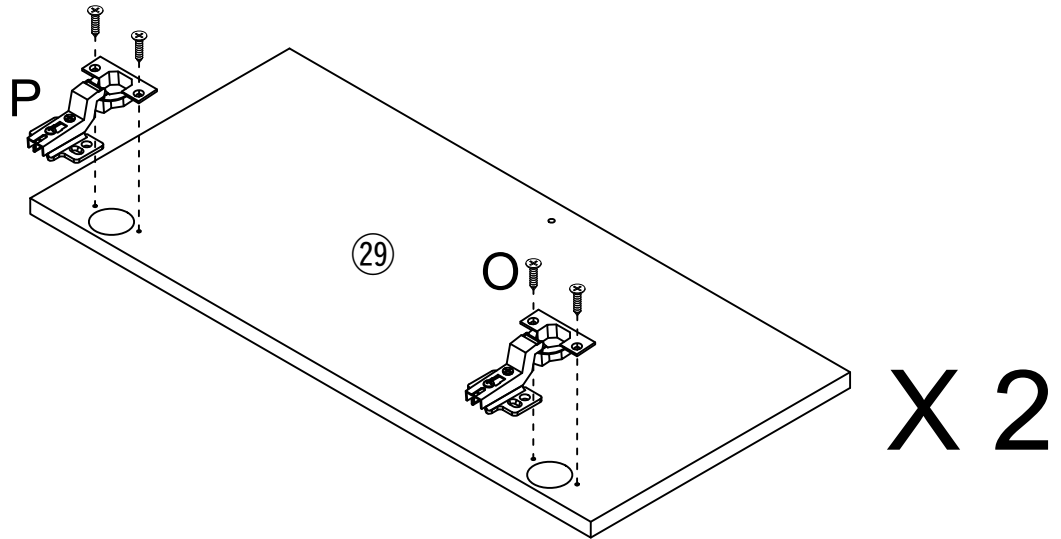


Step 27

| | | | |
|--|---|---|---|
| G | H | P | O |
|  |  |  |  |
| X2 | X2 | X4 | X8 |

-Screw (O) to lock the (P) to the panel (29) as below shown


-Use (G) to lock the drawer knob (H) to the panel (29) as below shown

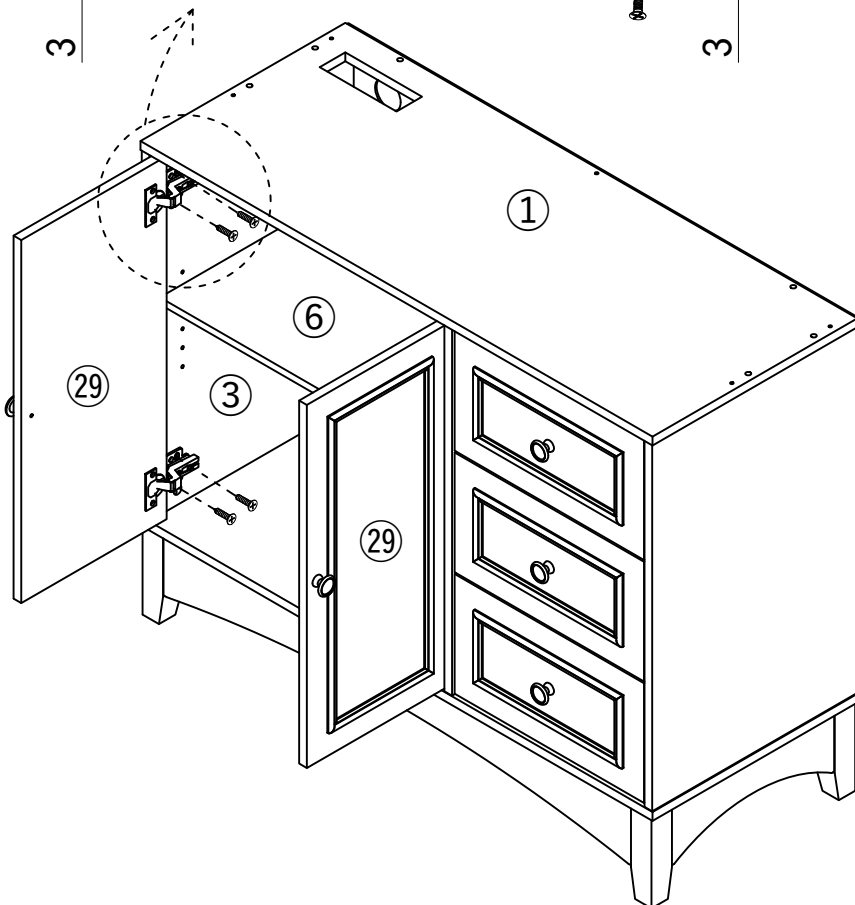
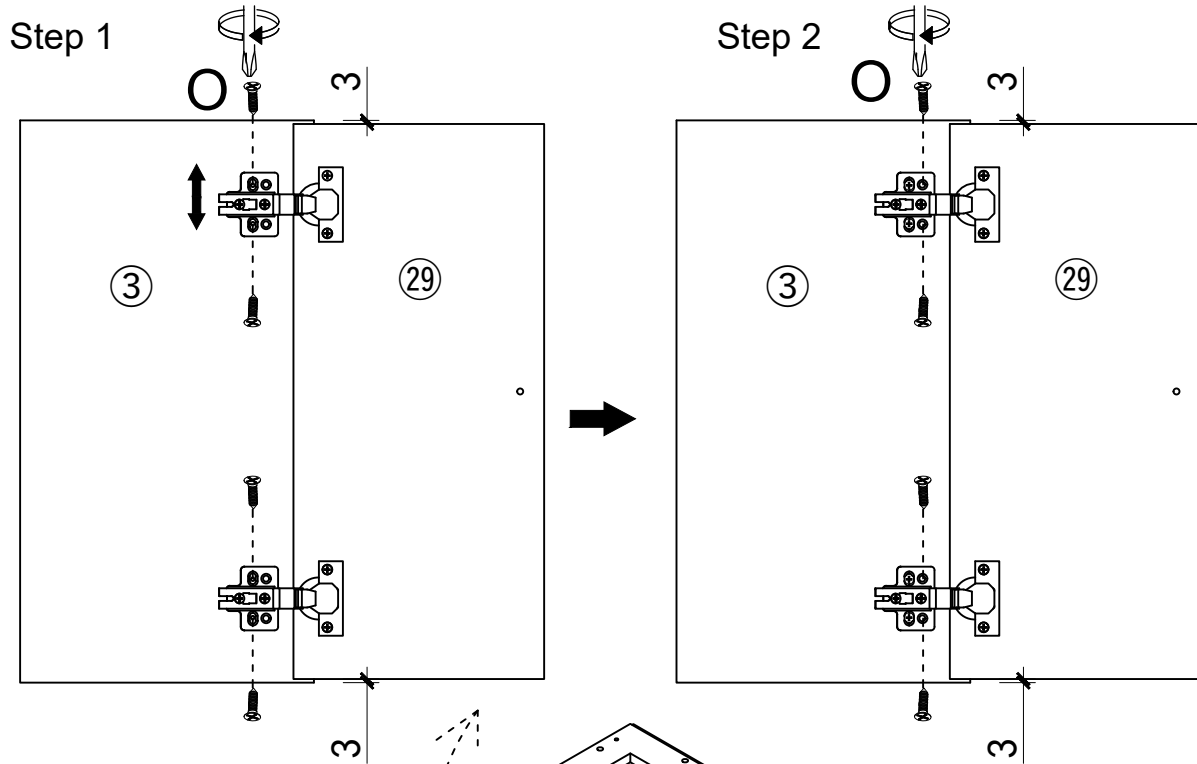


Step 28

-Screw (O) to lock the (P) with the panel ③ as below shown

Warning: We have to leave at least 3mm of the cabinet door to the upper side of the out-frame. So we can't tighten the (O) until we install both of the cabinet door and adjust them to a proper condition. Then we can tighten all the (O) to make doors steady.


| |
|---|
| O |
|  |
| X8 |

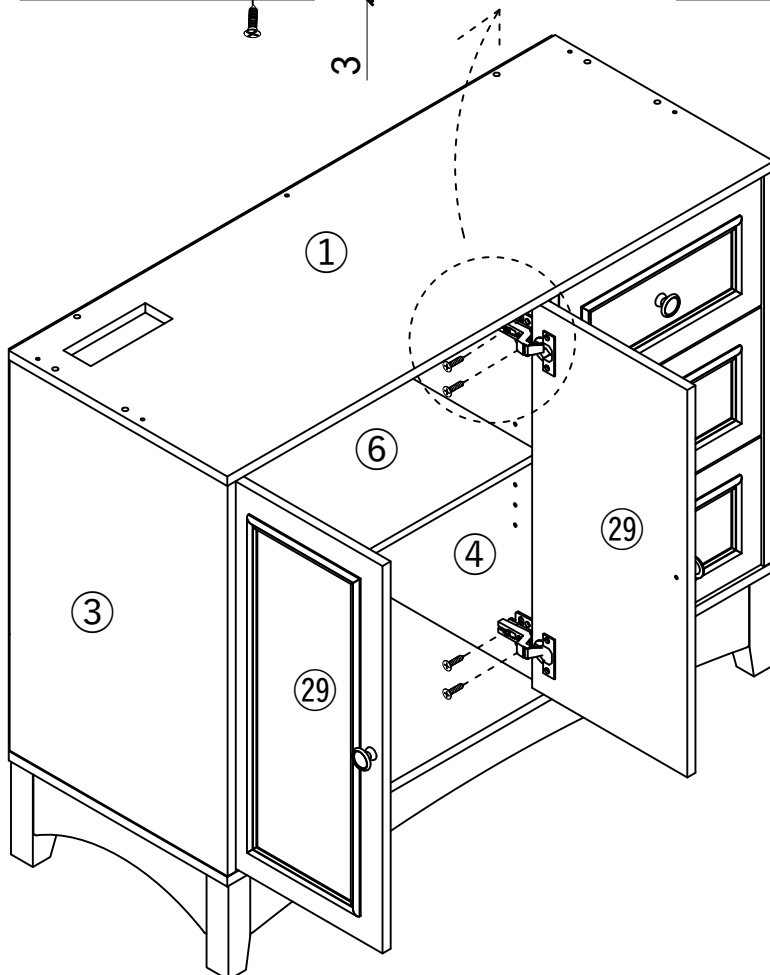
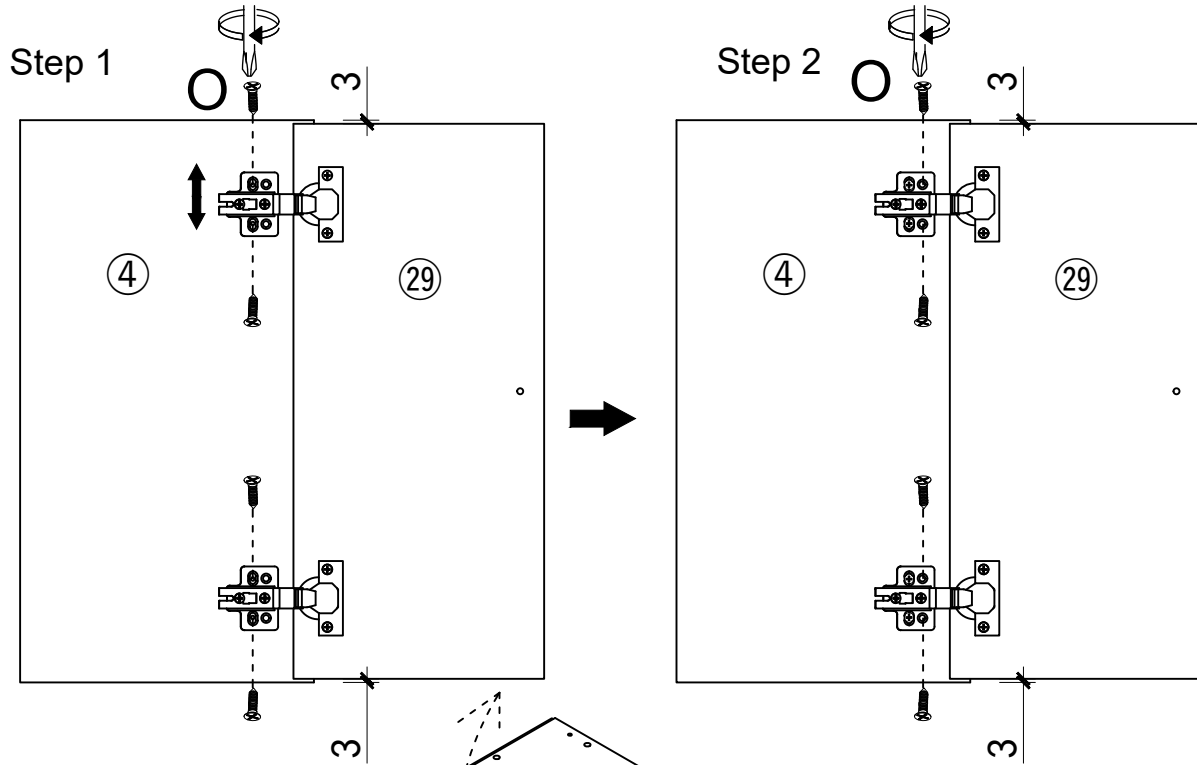


Step 29

-Screw (O) to lock the (P) with the panel ④ as below shown

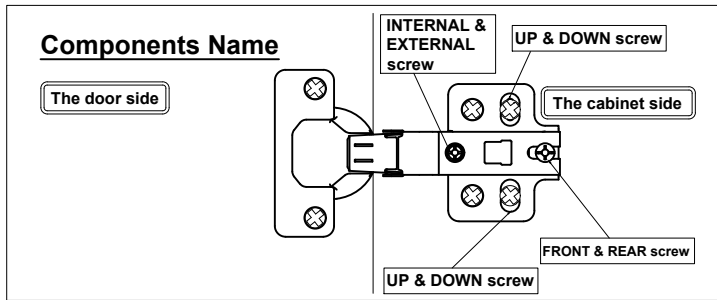
Warning: We have to leave at least 3mm of the cabinet door to the upper side of the out-frame. So we can't tighten the (O) until we install both of the cabinet door and adjust them to a proper condition. Then we can tighten all the (O) to make doors steady.

| |
|---|
| O |
|  |
| X 8 |



The ways to adjust the door

- Before adjusting the hinge, please check whether the cabinet is skewed.
- If the skew can not be repaired, please remove the anti-tipping device first, then adjust the cabinet to vertical position.
- Please adjust the hinge with the door open.
- Please operate it with more than 2 people, one person holds the door and the other one adjusts the screw.



Obvious gaps between doors or Doors don't look closed

1 Turn "internal & external screw" to the right can make the door approach inside. Please adjust the doors little by little..

When door is crooked

1 Rotate the "front and rear screws" to the left

2 Push the door to the cabinet

3 Rotate the "front and rear screws" to the right

Please take the following steps to adjust first.

※ After adjusting the "front and rear screw", the door still does not change, please turn the "internal & external screw" to the right Slightly.

When door is leaning

1 Turn "internal & external screw" to the left can make the top of the door tilted outward.

1 Turn "internal & external screw" to the left can make the top of the door tilted outward.

When door is higher on top

1 Turn "up & down screw" to the left

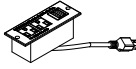

2 Lower the door's height so that 2 doors are of the same height.

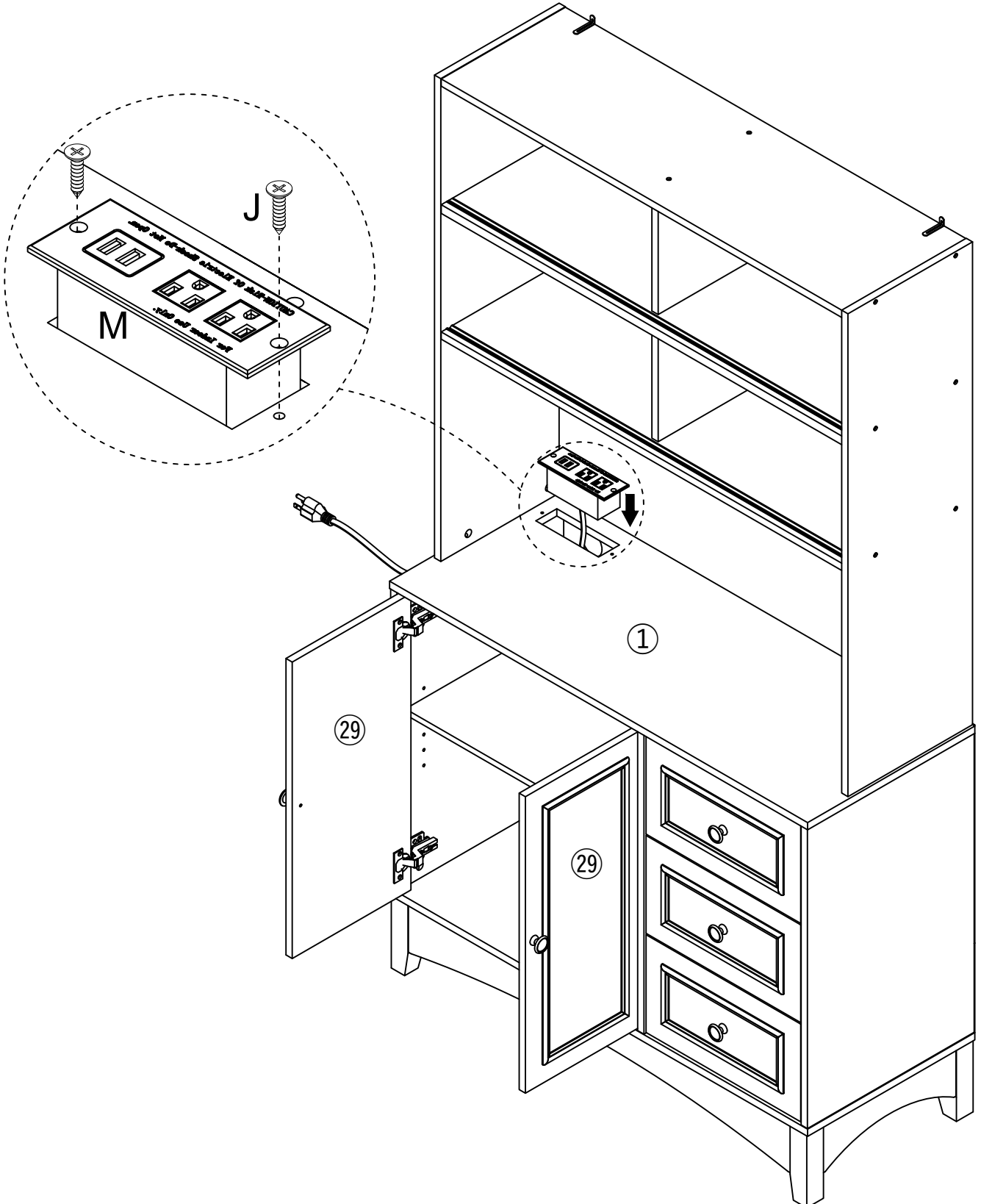
3 Turn "up & down screw" to the right

※ if the door is lower on bottom, please lift up the left door slightly on step 2

Step30



-Install the charger (M) as below shown

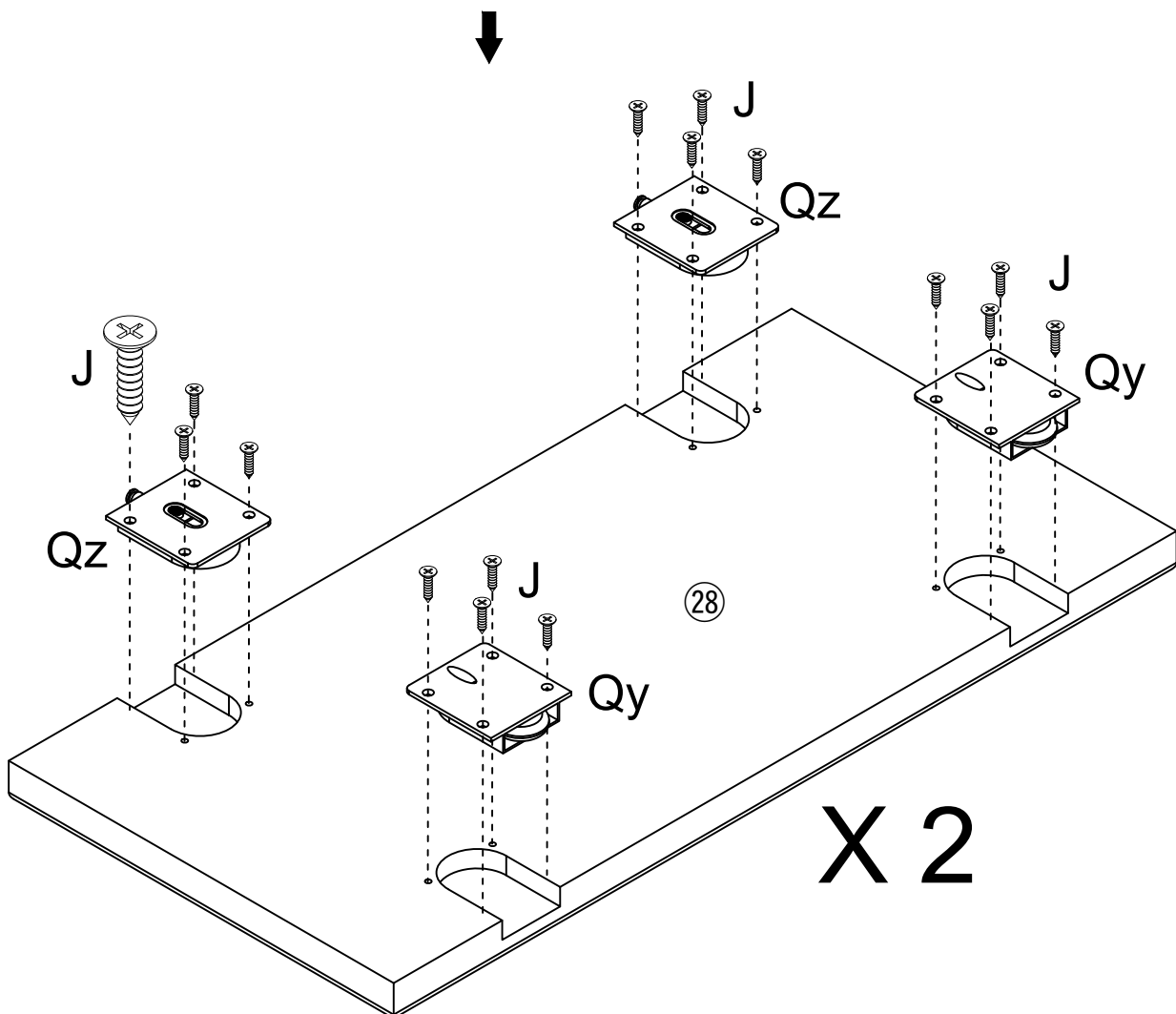
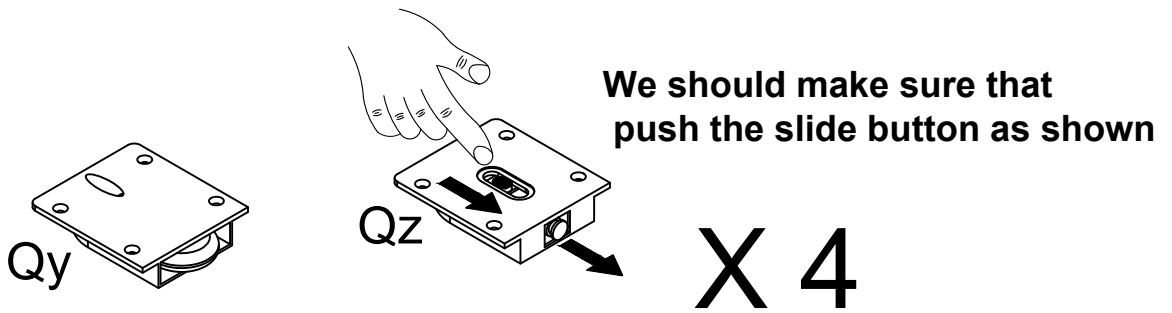
| | |
|---|---|
| M | J |
|  |  |
| X1 | X2 |



Step 31

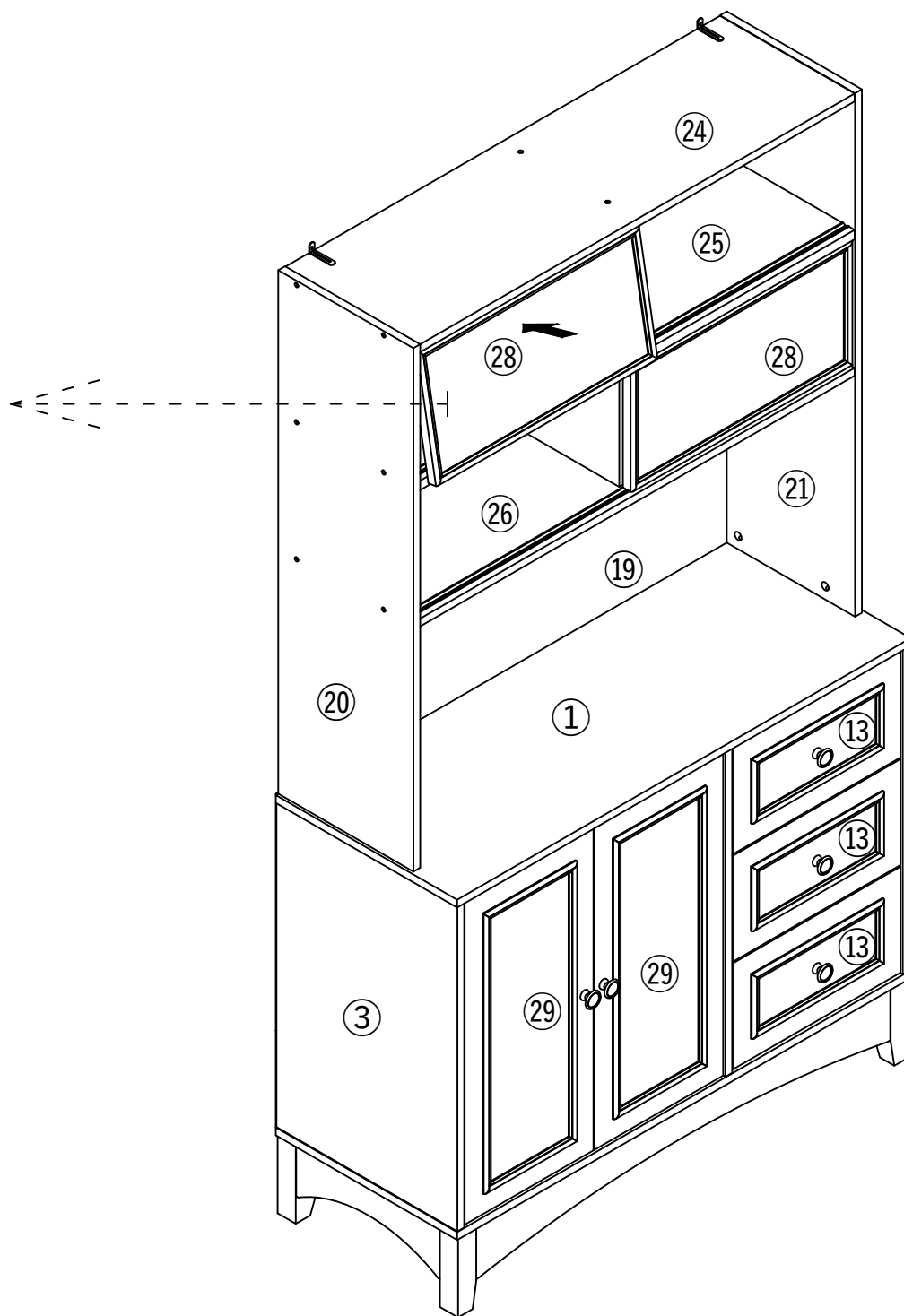
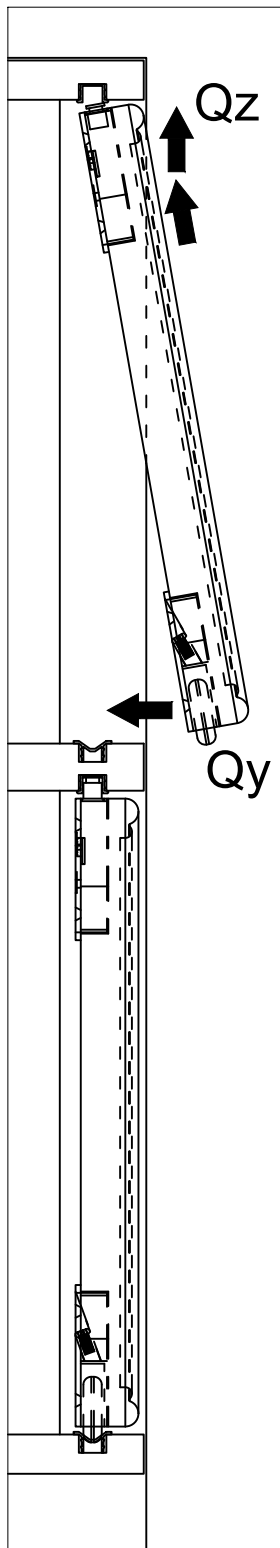
-Screw (J) to lock the (Q) with the panel (28) as below shown

| | |
|---|---|
| Q | J |
|  |  |
| X4 | X32 |



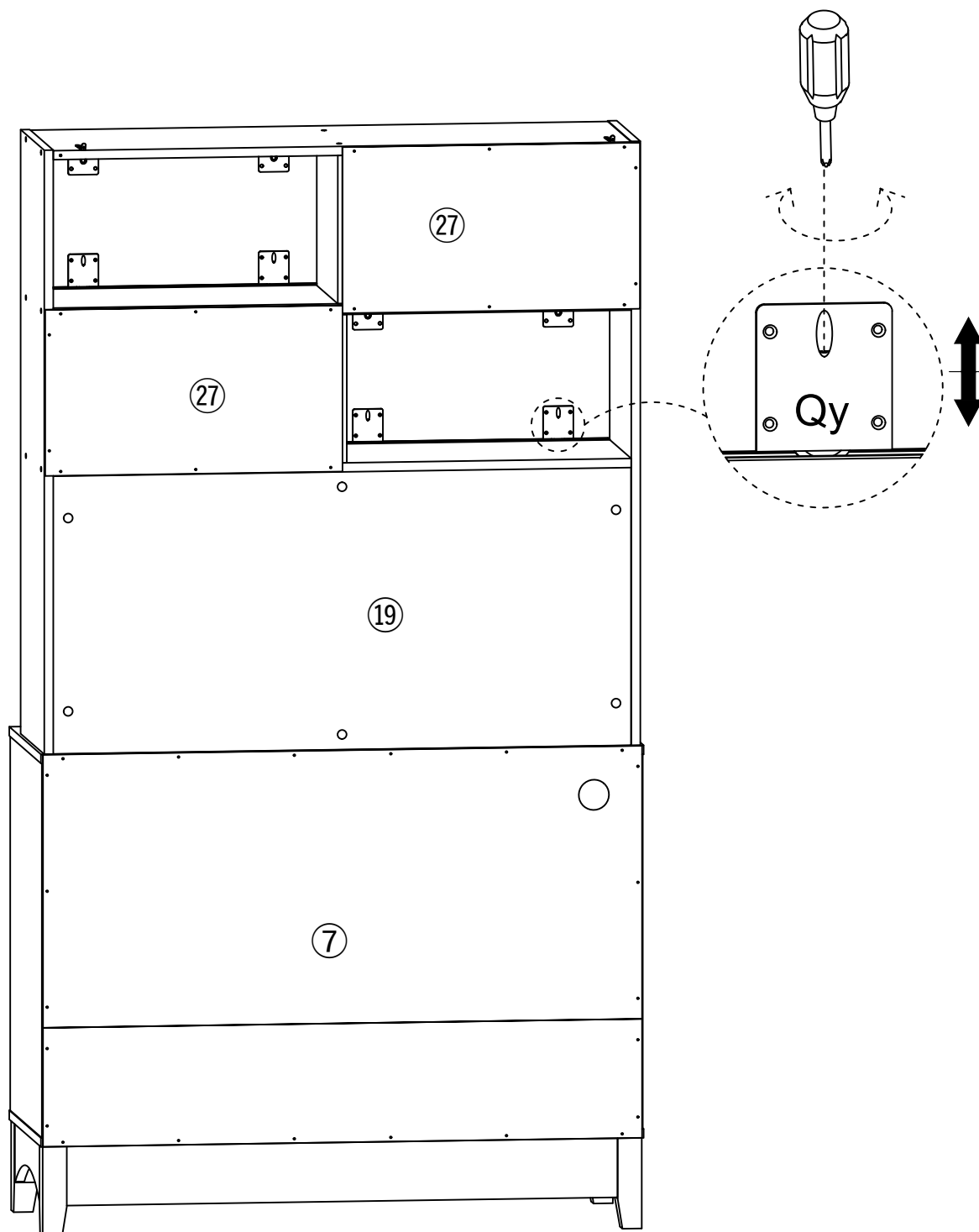
Step 32

-Put in the cabinet door ②⑧ as below shown
When we put it in, we should give a gap and let the raised buckle into the upper rail of the panel ②④ as shown



Step 33

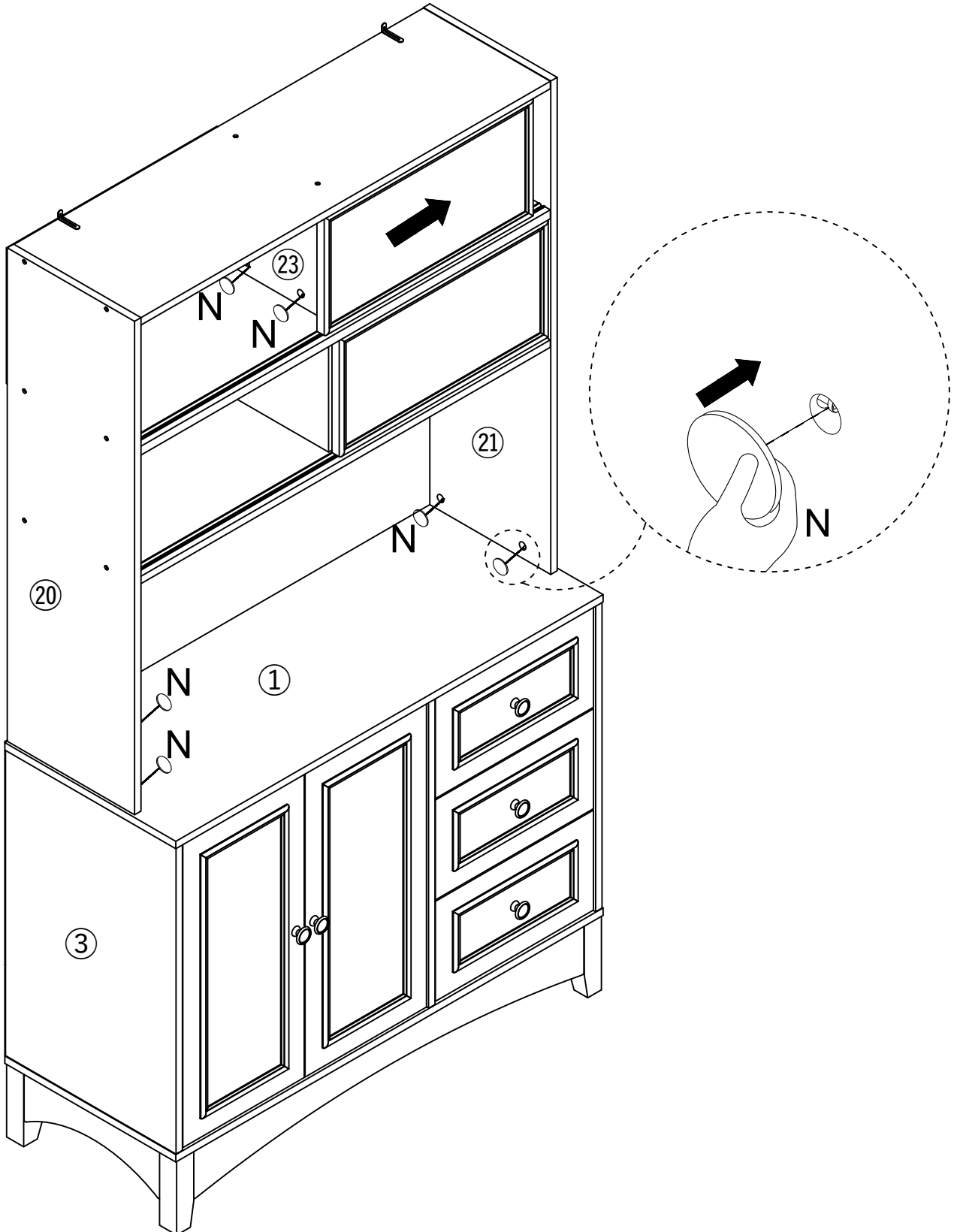
If you feel the cabinet door loose or tight, we can tighten or loosen it by twist the screw of the (Q) as shown.



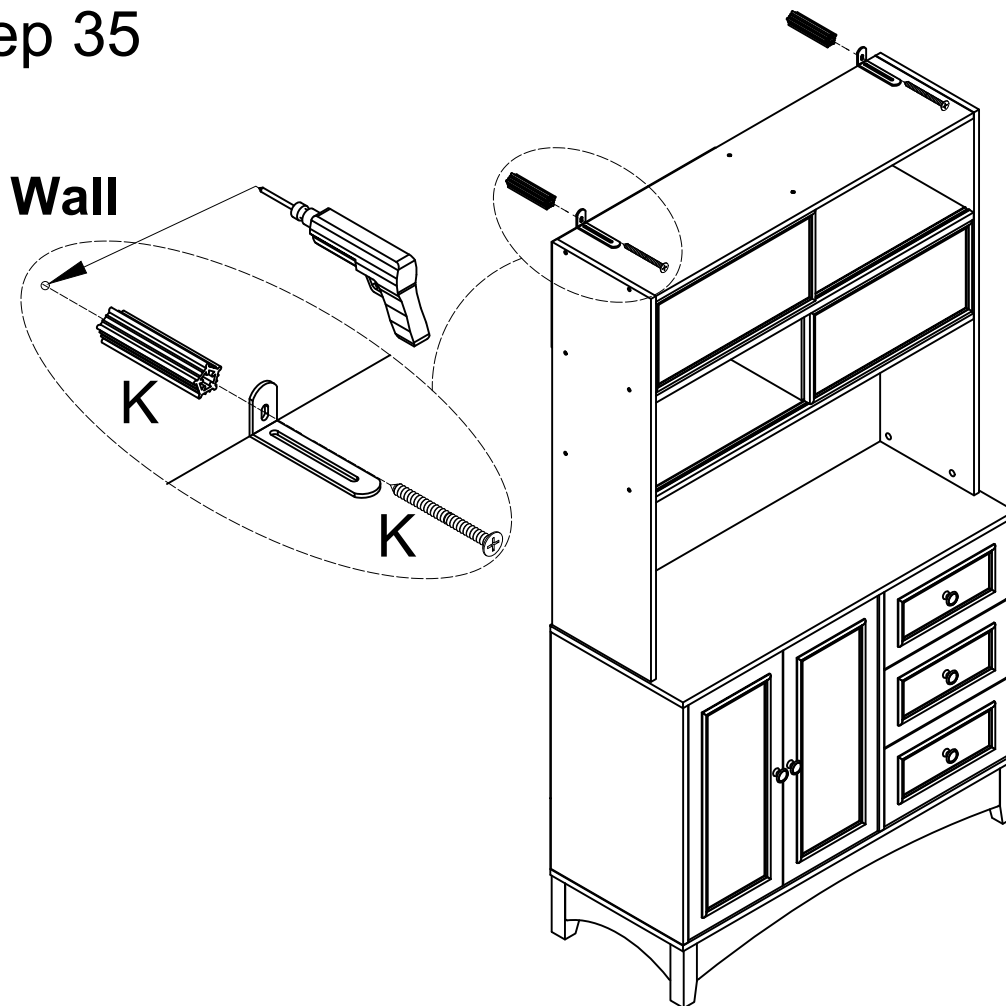
Step 34


-Paste the (N) to cover the pre-drilled holes as shown

| |
|----|
| N |
| O |
| X6 |



Step 35



| |
|---|
| K |
|  |
| X1 |

Tools required (not included): phillips screwdriver, stud finder, tape measure, pencil, power drill and 3/16" drill bit.

Now, follow the instructions printed on the plastic bag containing the tipping restraint hardware to attach the tip-over restraints to the unit and the wall.

NOTE: The tipping restraint hardware included is for wooden stud wall construction. It must be attached to a wall stud depending upon your wall construction, and different anchor hardware maybe required. Please contact your local hardware store for assistance.

Young children can be seriously injured by tipping furniture, so you must install the tipping restraint hardware with the unit to prevent the unit from tipping, in case of causing any accidents or damage.

The tipping restraints are intended only as a deterrent, they are not a substitute for proper adult supervision.

The tipping restraints are not earthquake restraints. if you wish to add the extra security of earthquake restraints, they must be purchased and installed separately.