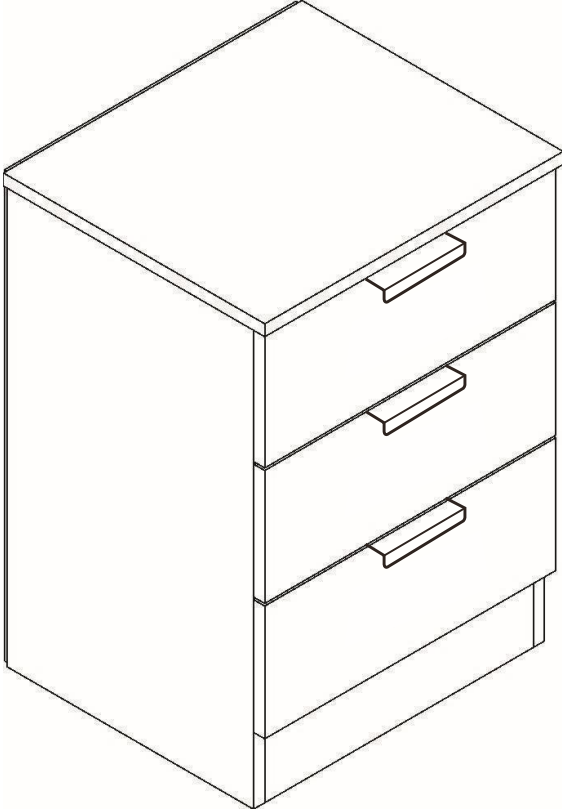


Instruction manual

Bedside Table 3 Drawer



⚠ SAFETY AND CARE ADVICE ⚠

PLEASE READ THESE INSTRUCTIONS CAREFULLY AND KEEP FOR FUTURE REFERENCE

- **Warning:** Please lift with care.
- Check you have all the components and tools listed on pages 2 and 3.
- Remove all fittings from the plastic bags and separate them into their groups.
- Keep children and animals away from the work area, small parts could choke if swallowed.
- Make sure you have enough space to lay out the parts before starting.
- Do not stand or put weight on the product, this could cause damage.
- Assemble the item as close to its final position (in the same room) as possible.

- Assemble on a soft level surface to avoid damaging the unit or your floor (use opened out unit carton).



- We do not recommend the use of power drill/drivers **for inserting screws**, as this could damage the unit. Only use hand screwdrivers.
- Dispose of all packaging carefully and responsibly.

CARE AND MAINTENANCE

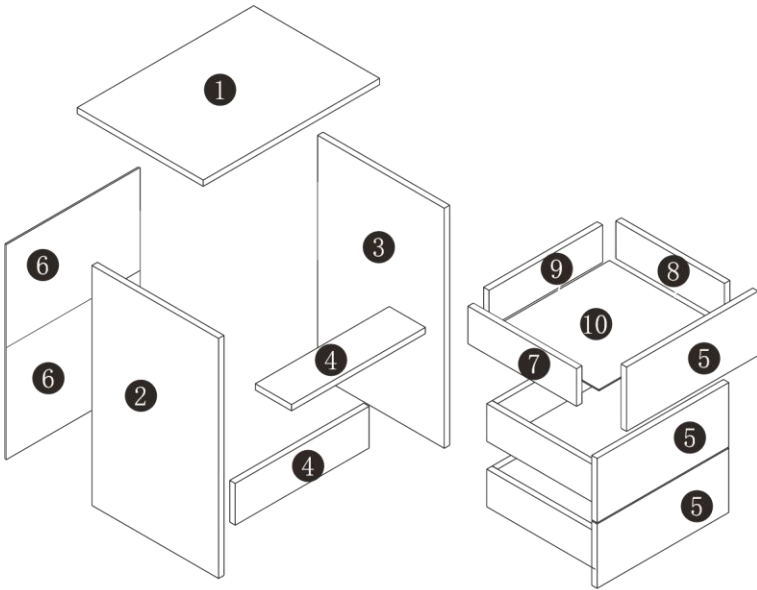
- Only clean using a damp cloth and mild detergent, do not use bleach or abrasive cleaners.
- From time to time check that there are no loose screws on this unit.

- This product should not be discarded with household waste. Take to your local authority waste disposal center.

Note *If required the next page can be cut out and used as reference throughout the assembly. Keep this page with these instructions for future reference.*

COMPONENTS

Please check you have all the panels listed below:



PANEL LIST

1	Chest Top	x1	7	Left Drawer Side	x3
2	Left side	x1	8	Right Drawer Side	x3
3	Right Side	x1	9	Drawer Back	x3
4	Plinth/Cross Rail	x2	10	Drawer Base	x3
5	Drawer Front	x3			
6	Back	x2			



COMPONENTS

Please check you have all the fittings listed below:



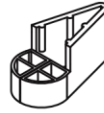
Metal dowel x 20

H



18mm Screw x 6

J



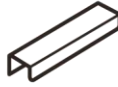
Pin holder tool x 1

B



Locking nut x 20

I



Handle x 3

C



Wooden dowel x 8

CR



Outer Drawer Runner Right x 3

This runner attaches to the main body of bedside table

D



14mm Screw x 24

CL



Outer Drawer Runner Left x 3

This runner attaches to the main body of bedside table

E



38mm Screw x 12

DR



Inner Drawer Runner Right x 3

This runner attaches to the drawer

F



Plastic Nail x 4

G



Nail x 17

DL



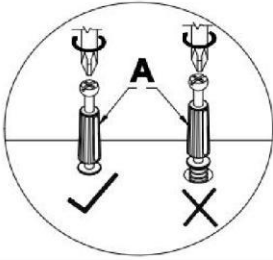
Inner Drawer Runner Left x 3

This runner attaches to the drawer

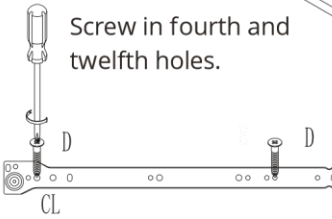
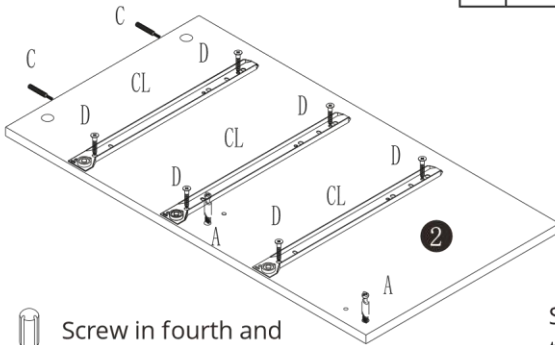


ASSEMBLY INSTRUCTIONS

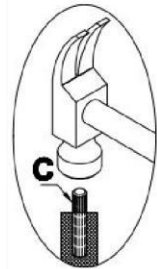
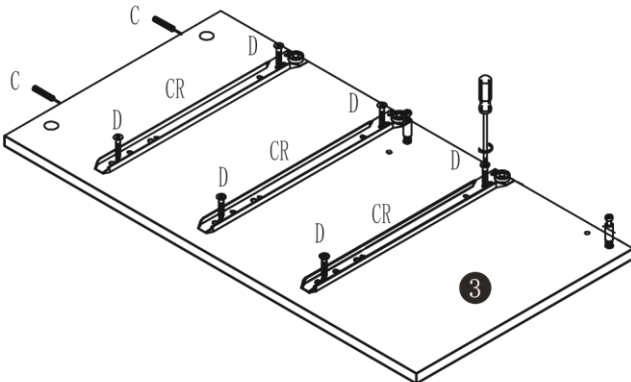
Step 1



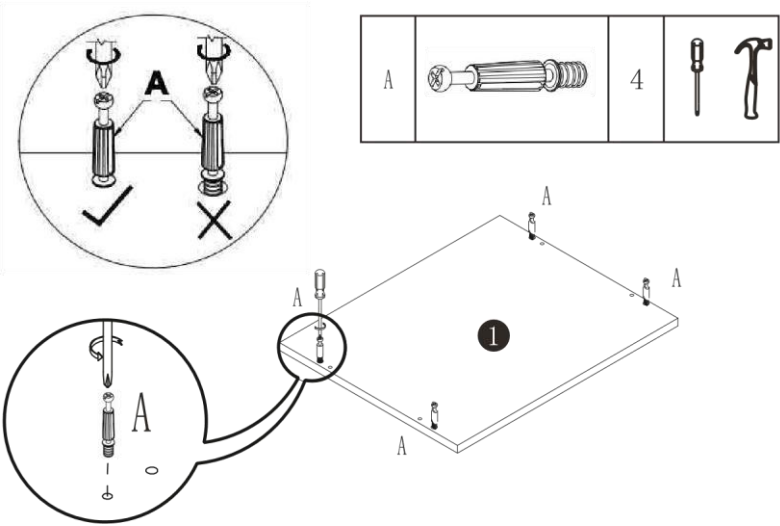
A		4	
C		4	
CR			3
CL			3
D			12



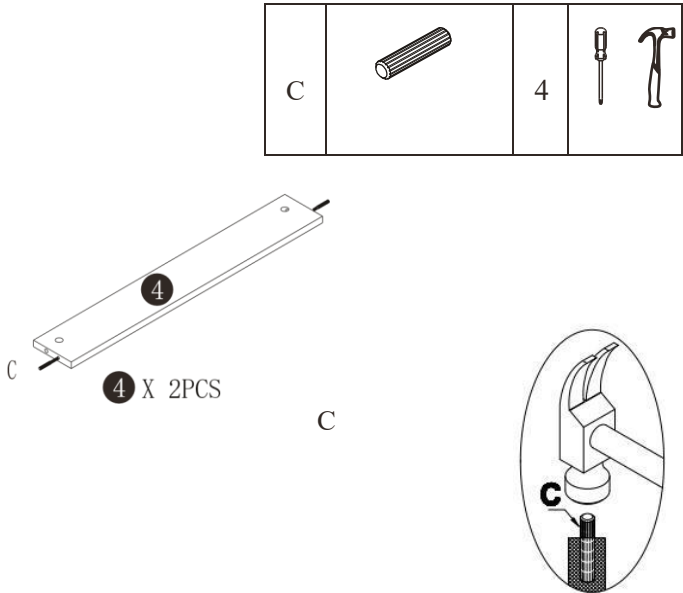
Screw in fourth and twelfth holes.



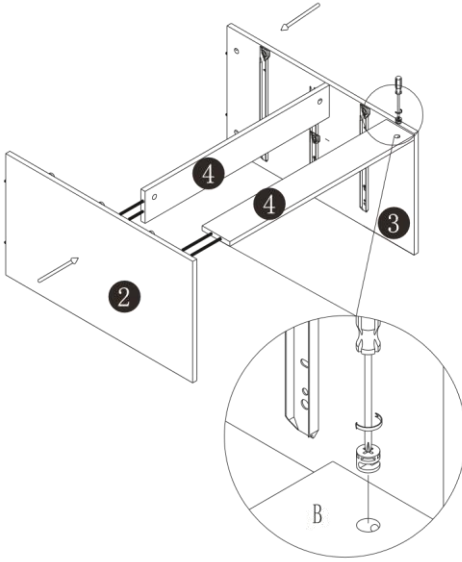
Step 2



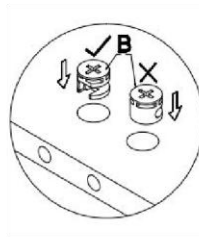
Step 3



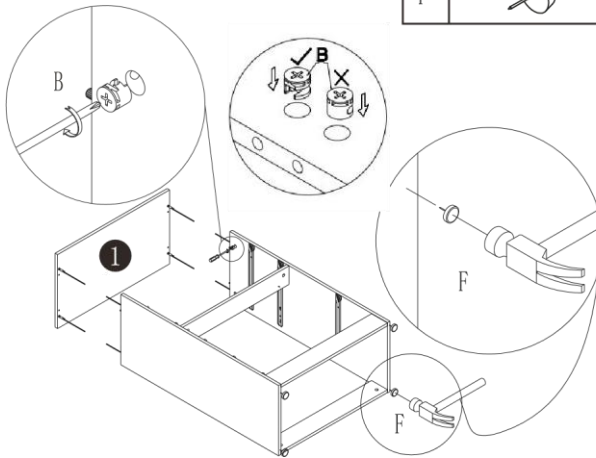
Step 4



B		4	
---	--	---	--

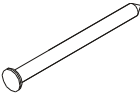

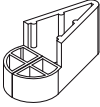



Step 5

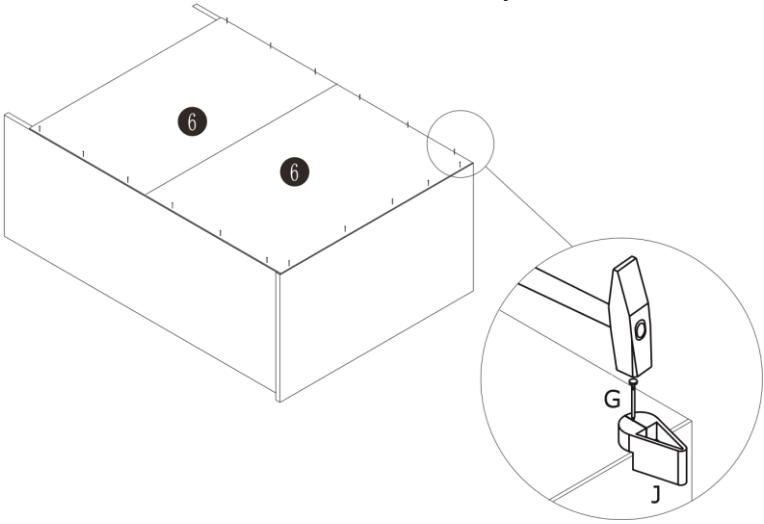


B		4	
F		4	




Step 6

G		17	
J		1	

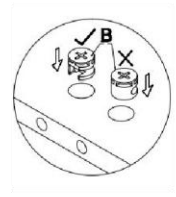
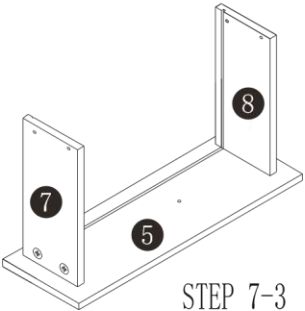
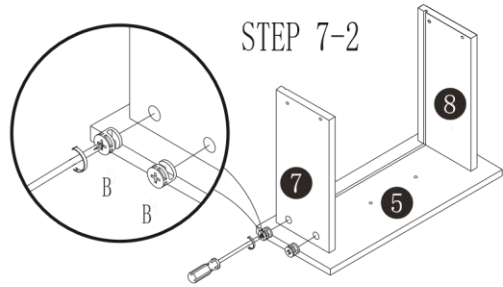
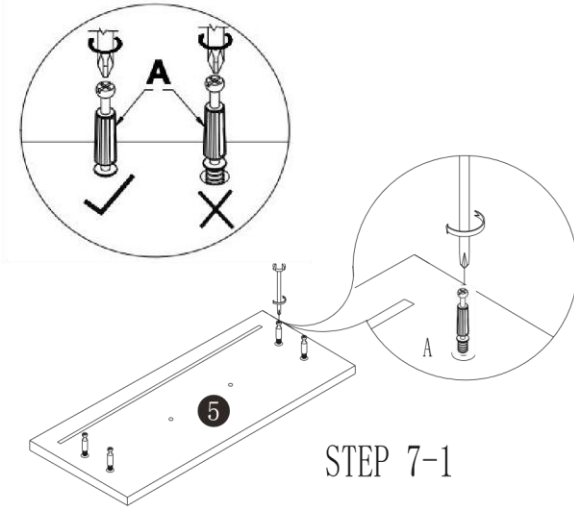
180°  Note: Please turn the product over to the back side.



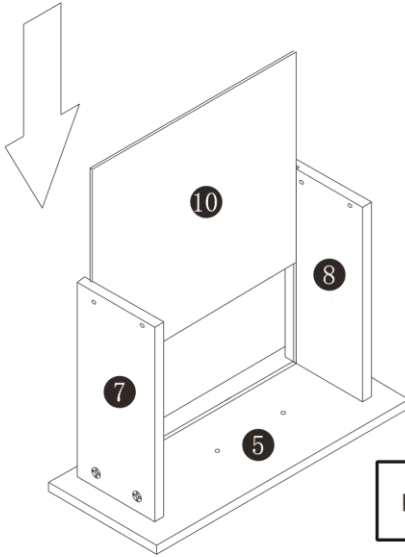
Step 7

A		12	
B		12	

Repeat the process for all 3 drawers

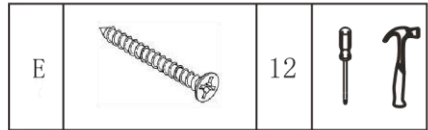
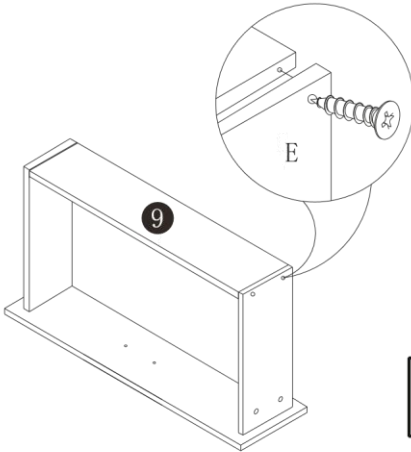


Step 8



Repeat the process for all 3 drawers

Step 9



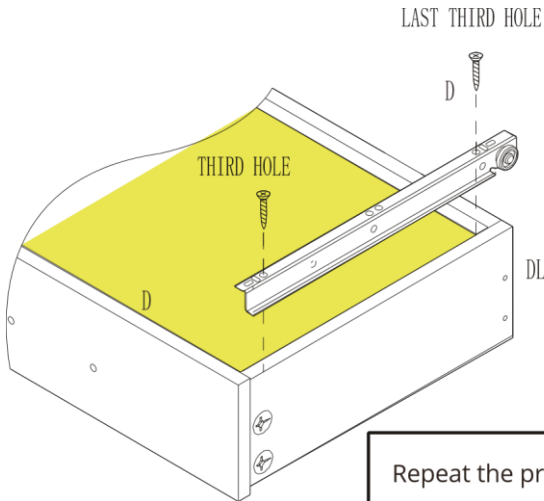
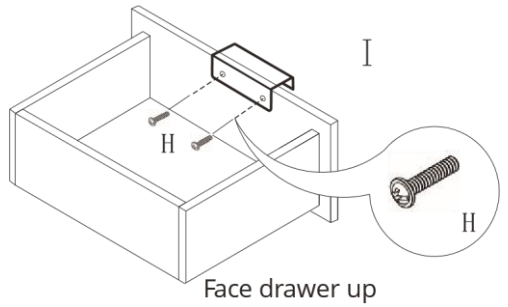
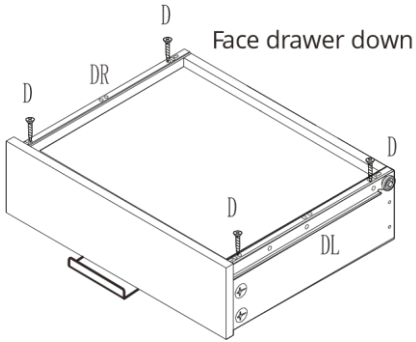
Repeat the process for all 3 drawers

Step 10



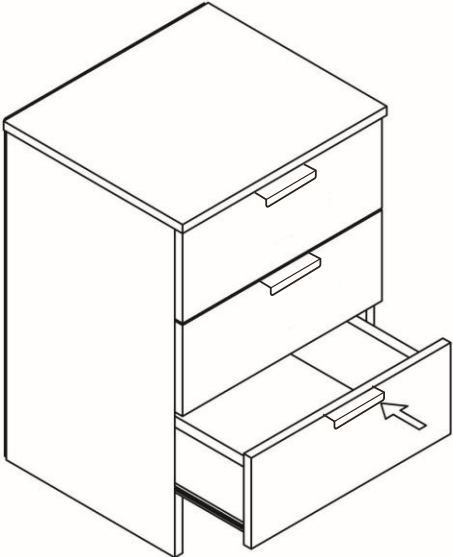
Pls turn the drawer upside down to fit the runners and make sure the runner wheels go at the BACK of the drawers, failure to assemble correct way will misalign the drawers.

I		3	
D		12	
D R		3	
DL		3	
H		6	



Repeat the process for all 3 drawers

Step 11



Congratulations! Now you have finished assembling the product.

IF YOU FIND A DEFECTIVE PART

We fully stock all parts and components. Any defective part can be quickly replaced. Take note of the defective part number in manual and we will arrange a replacement.

COPYRIGHT

All material in this instruction manual is copyrighted.

Any unauthorised use may violate worldwide copyright, trademark and other laws.