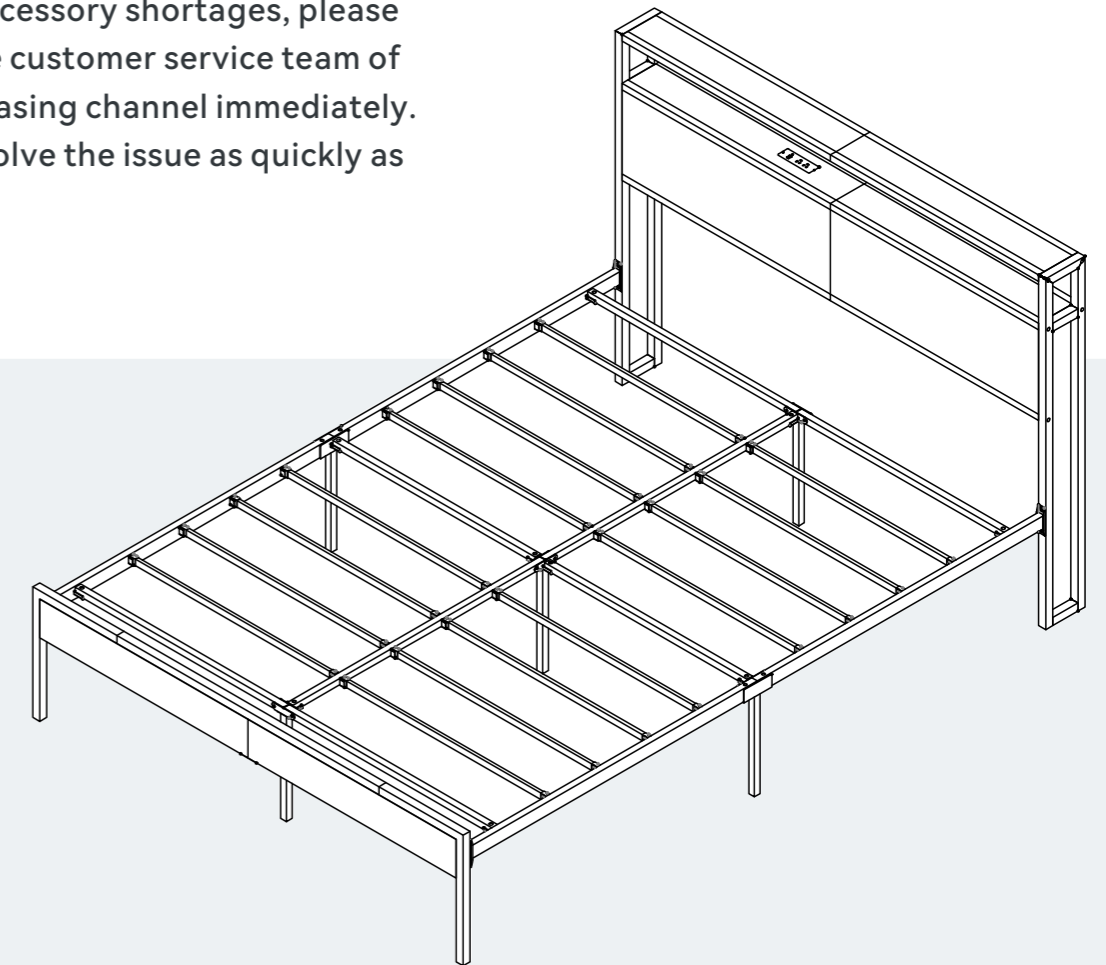


| Bed

Bed

Assembly Instruction – Please keep properly for future reference.

If you find any missing boxes, damaged parts, or accessory shortages, please contact the customer service team of your purchasing channel immediately. We will resolve the issue as quickly as possible.



SKU:

BL11N7-1F0A0
BL11N7-1F0B0
BL11N7-1F0C0
BL11N7-1F0D0
BL11N7-1Q0A0
BL11N7-1Q0B0
BL11N7-1Q0C0
BL11N7-1Q0D0

V1.0

EN

CONTACT US

- **Email:** service@grandtunnel.com
In order to receive assistance more quickly, please provide

THE FOLLOWING INFORMATION:

- Order number
- Purchase platform
- Purchase date
- Detailed description of the issue along with photos (if applicable)

Important – Please read these instructions carefully before starting the installation.

Before Assembly



Thank you for choosing this product!

To ensure safe use and long-term maintenance, please read this manual carefully and keep it properly for future reference.

Important Notice:

- To ensure a smooth and successful installation, please read this guide carefully. It provides essential information about the required tools, materials, and assembly steps. Follow the instructions in each section to avoid any issues caused by improper installation.
- Please review all operational and safety guidelines to ensure proper and secure assembly.
- This guide reflects the most current product information available at the time of printing. We reserve the right to make changes to product features, packaging, or availability without prior notice.
- Before starting assembly, ensure that all necessary electrical and environmental preparations are completed.
- This manual contains important instructions regarding installation, cleaning, and maintenance. Please read it thoroughly and keep it for future reference.

Safety Warnings



1. Follow Warning Labels

Do not remove, alter, or obscure any warning labels on the product or packaging. Always adhere to the displayed safety instructions to ensure proper usage.

2. Conduct Regular Inspections

Periodically inspect all components to ensure they are properly installed, undamaged, and securely fastened. Report any issues to customer support immediately.

3. Practice Safe Usage

Avoid playing, jumping, or engaging in activities on or under the bed, as this may cause injury or structural damage.

4. Beware of Rope Hazards

Do not attach ropes, hooks, straps, or any non-designated accessories to any part of the bed, as this may pose a safety hazard.

5. Keep This Manual for Reference

Store this manual in a safe and accessible place for future reference.

6. Safety is a Shared Responsibility

Ensuring safety is a joint responsibility between the manufacturer and the user. Please follow all safety precautions during assembly and use.

Disclaimer

We are committed to delivering safe, high-quality, and reliable products to our customers. If you have any questions, concerns, or require further assistance, please contact our customer service team without hesitation.

Safety Instructions / Warnings



Please read and follow all instructions carefully before installation and use.

WARNING:

Risk of electric shock – Do not open or disassemble electrical parts.

- Use only the power cord specifically provided for this product.
Plug rating: 110-240V~, 50/60Hz, 1500W. USB output: DC 5V / 2A.
- Do not use with damaged power cords or plugs.
- Keep power cables away from moving or sharp parts of the furniture.
- Do not use extension cords or power strips unless specifically approved for the load.
- This product is **not a toy**. Do not allow children to play with electrical components or moving parts.
- Children under 8 years old must be kept away from the furniture unless continuously supervised.
- Keep remote controls, control switches, and ports out of children's reach.
- Always **disconnect the product from power** before cleaning, maintenance, or relocation.
- Do not attempt to open, modify, or repair electrical components.
- **Repairs must be performed by qualified professionals only.**
- Do not insert any foreign objects into openings or mechanisms.
- Clean with a dry cloth or a slightly damp soft cloth. Do not use solvents.
- This product is intended **for indoor** use only in dry environments.
- Do not expose the furniture to moisture, liquids, or direct sunlight.
- Ensure stability and clearance around any moving parts (e.g., lift mechanisms, recliners).
- Do not overload power outlets or USB ports beyond the specified ratings.
- **Always unplug the product when it is not in use.**

FCC Information:

CAUTION: Changes or modifications not expressly approved by the party responsible for compliance could void the user's authority to operate the equipment!

This device complies with Part 15 of the FCC Rules. Operation is subject to the following two conditions:

- 1) This product may cause harmful interference.
- 2) This product must accept any interference received, including interference that may cause undesired operation.

WARNING: Changes or modifications to this product not expressly approved by the party responsible for compliance could void the user's authority to operate the product.

Note: This product has been tested and found to comply with the limits for a Class B digital device pursuant to Part 15 of the FCC Rules, These limits are designed to provide reasonable protection against harmful interference in a residential installation.

This product generates, uses and can radiate radio frequency energy, and if not installed and used in accordance with the instructions, may cause harmful interference to radio communications. However, there is no guarantee that interference will not occur in a particular installation. If this product does cause harmful interference to radio or television reception, which can be determined by turning the product off and on, the user is encouraged to try to correct the interference by one or more of the following measures.

- Reorient or relocate the receiving antenna.
- Increase the distance between the product and receiver.
- Connect the product to an outlet on a circuit different from that to which the receiver is connected.
- Consult the dealer or an experienced radio/TV technician for assistance.

Maintenance and Care Recommendations



1. Regular Cleaning

To maintain hygiene and prevent bacterial growth, clean the product regularly. Use a damp, well-wrung cloth to avoid excess moisture and prevent surface scratches.

2. Prevent Corrosion

Keep the product away from acidic or alkaline substances, as they may cause corrosion or damage to the materials.

3. Use Only Authorized Replacement Parts

Do not use unauthorized or third-party replacement parts, as they may compromise the product's safety and durability. If a replacement is needed, contact the manufacturer or an authorized dealer for approved parts.

4. Cleaning Precautions

Do not machine wash or rinse any part of the product directly with water, as this may damage the materials and reduce product lifespan.

5. Prevent Pests

Keep wooden furniture away from damp or humid areas to prevent pest infestations and wood damage. Use a dehumidifier or air conditioner during humid seasons to maintain a dry environment.

6. Protect from Sunlight

Avoid placing furniture in direct sunlight, as prolonged exposure may cause cracking, discoloration, or fading. If sunlight exposure is unavoidable, use curtains or shades to minimize damage.

7. Keep Away from Fire

Position furniture away from heat sources and open flames to prevent damage and maintain its condition.

8. Perform Regular Care

Apply furniture oil periodically to maintain the wood's shine, prevent cracks, and extend its lifespan.

9. Clean Frequently

Regularly vacuum dust and debris, especially underneath furniture, to keep it clean and hygienic.

10. Maintain a Dry Environment

Ensure good ventilation to prevent moisture buildup, which can damage wood. Use a dehumidifier if necessary to protect the furniture.

11. Avoid Corrosive Liquids

Keep furniture away from acidic or alkaline substances, as these can damage the surface and reduce durability.

12. Use a Damp Cloth for Cleaning

Wipe furniture with a well-wrung damp cloth to prevent water damage or swelling. Avoid excessive moisture exposure.

13. Limit Sun Exposure

Excessive sunlight can dry out and weaken wood. Position furniture in shaded areas or use UV-blocking curtains to protect it from damage.

Customer Service Guide



Thank you for choosing our product! We are committed to providing you with excellent service. If you find any missing parts, damaged packaging, or product damage after receiving all packages, please follow the steps below to quickly contact our customer service team. We will do our best to resolve your issue.

1. Missing Parts

Verify Parts:

1. Refer to the “Parts List” in the manual to verify the name, specifications, and quantity of the missing parts.
2. Take a clear photo of the parts list and mark the missing parts with detailed information, e.g., “Missing 5 pieces of M6×30mm screws.”

Contact Us:

By Email:

Send an email to service@grandtunnel.com, with the subject line “Missing Parts Issue.” Include the following in the email:

- A description of the missing parts and a photo of the parts list.
- Order details (order number, purchase platform, purchase date).

2. Product or Packaging Damage

If it affects normal use:

Steps:

1. Take clear photos or videos showing the damaged parts and the extent of the damage (multi-angle shots are recommended).
2. Email the photos/videos along with order details to service@grandtunnel.com, with the subject line “Product Damage Issue.”

Resolution:

After verification, we will arrange for a replacement part, product exchange, or refund as quickly as possible.

If it does not affect normal use:

Steps:

1. Contact our customer service team (by email: service@grandtunnel.com).
2. Provide a description of the damage and include relevant photos or videos.

Resolution:

We will provide repair guidance or an appropriate compensation plan based on the specific situation.

Contact Us:

Customer Service Email: service@grandtunnel.com

Helpful Tips

To process your issue efficiently, please prepare the following information:

- Order details (order number, purchase platform, purchase date).
- Clear photos or videos.
- We are committed to providing quick and professional solutions, no matter the size of the issue, to ensure your satisfaction.

Thank you for your trust and support!
We hope you enjoy using our product!

Parts List



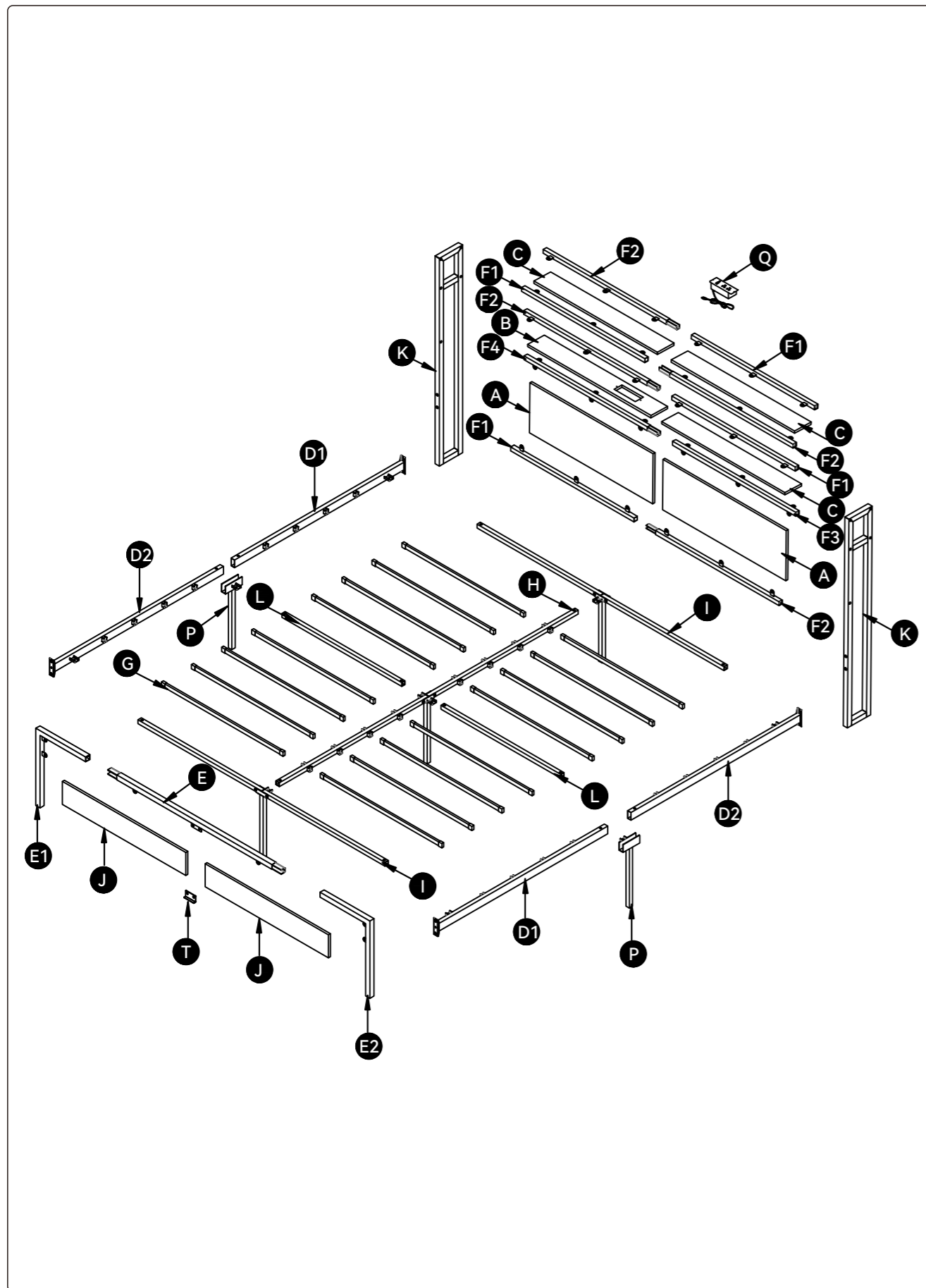
A	x2	B	x1	C	x3
D1	x2	D2	x2	E	x1
E1	x1	E2	x1	F1	x4
F2	x4	F3	x1	F4	x1
G	x16	H	x1	I	x2

J	x2	K	x2	L	x2
P	x2	Q	x1	T	x1

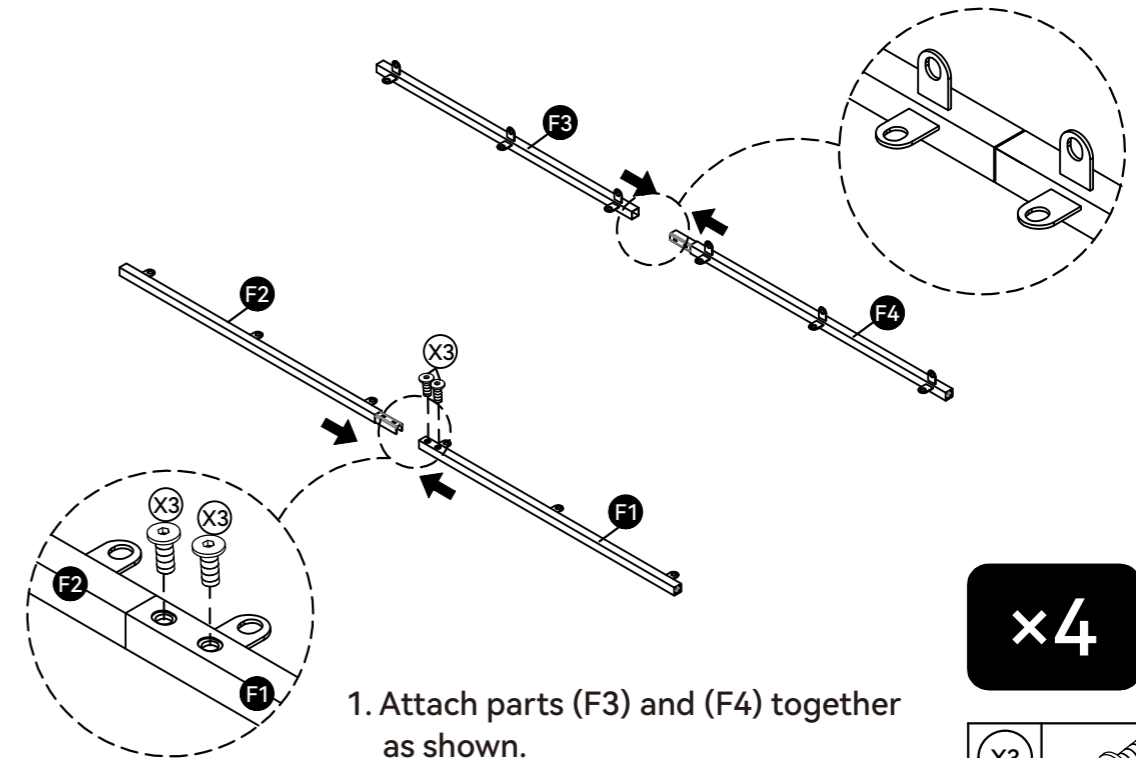
Hardware List

X1	x14	X2	x14	X3	x16
M8*50mm		M8*30mm		M8*18mm	
X4	x46	X5	x2	X6	x1
M6*10mm		M3*12mm		M8	
X7	x1	X8	x1		
M6		M3			

Assembly Instructions



Step 1

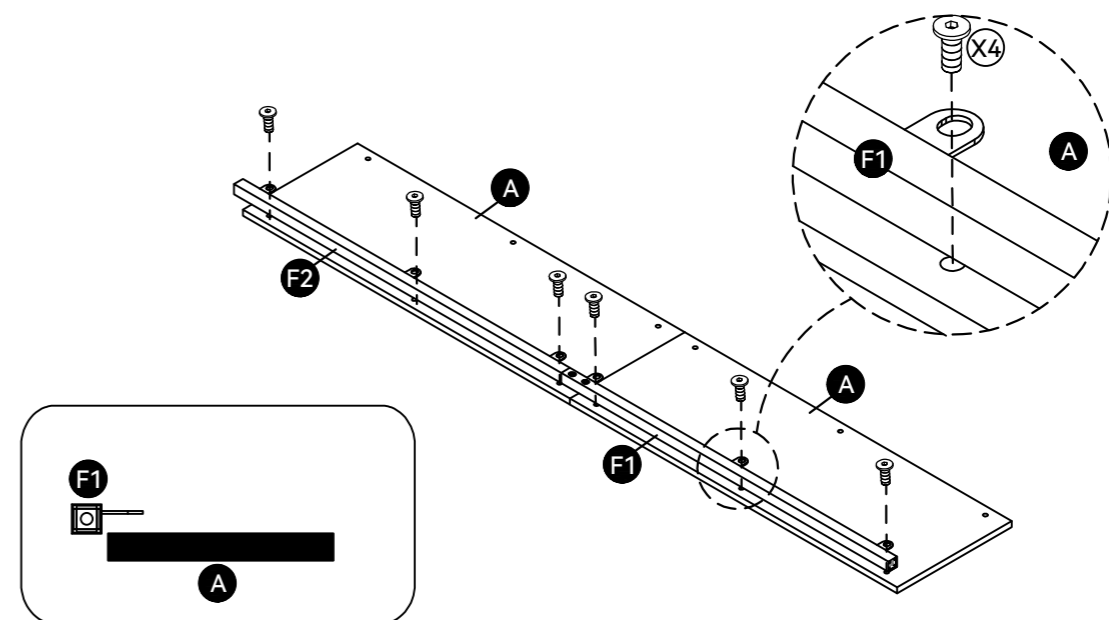


1. Attach parts (F3) and (F4) together as shown.
2. Attach parts (F1) and (F2) together using (X3) bolts. Fully tighten.

x4

(X3)	
x8	M8*18mm

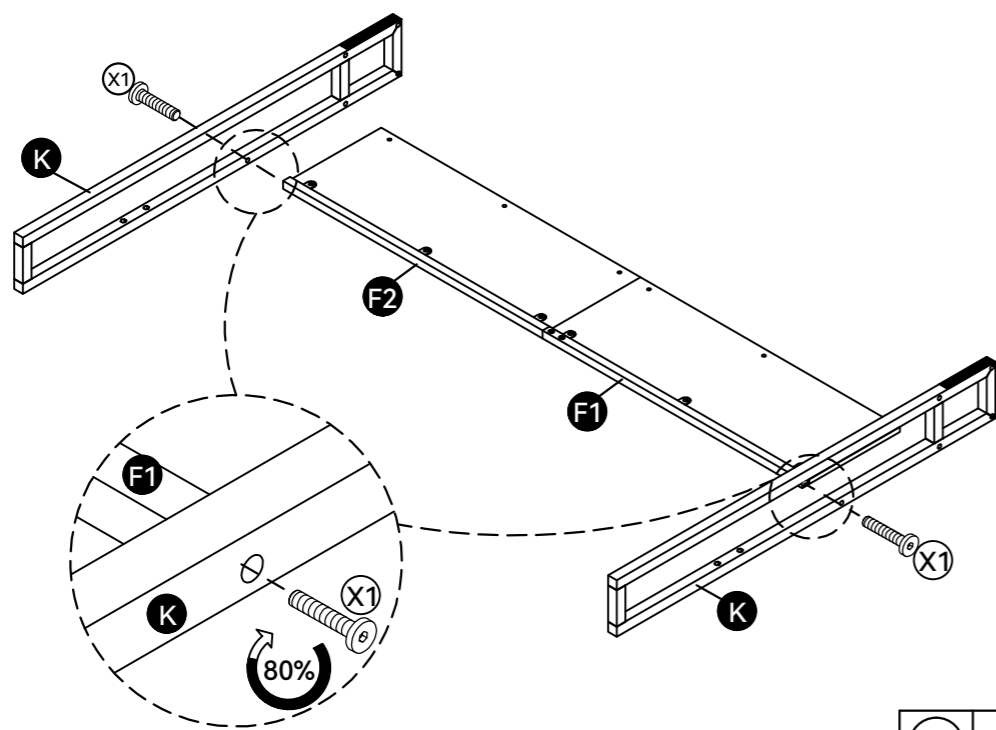
Step 2



- Attach parts (F1) and (F2) to part (A).
Align the parts as shown in the diagram and fully tighten using (X4) bolts.

(X4)	
x6	M6*10mm

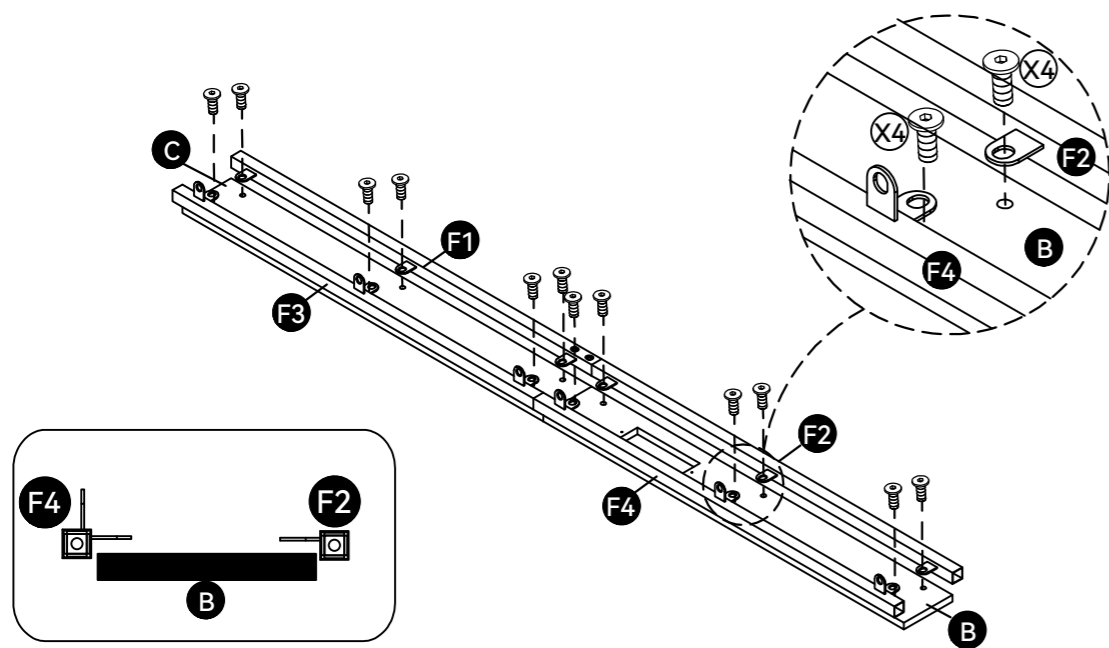
Step 3



Attach part (K) to parts (F1) and (F2) using (X1) bolts.
Tighten the bolts to 80% only to allow for later adjustment.

(X1)	
x2	M8*50mm

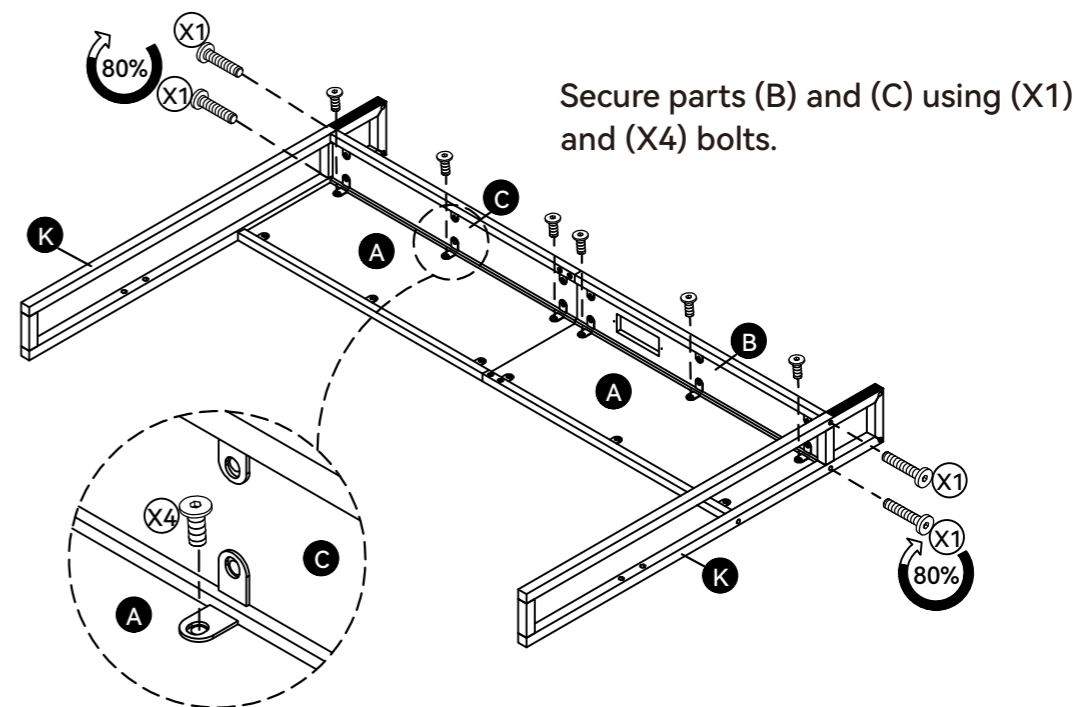
Step 4



Position parts (B) and (C) as shown.
Attach parts (F1), (F2), (F3), and (F4) to parts (B) and (C) using (X4) bolts, then fully tighten.

(X4)	
x12	M6*10mm

Step 5

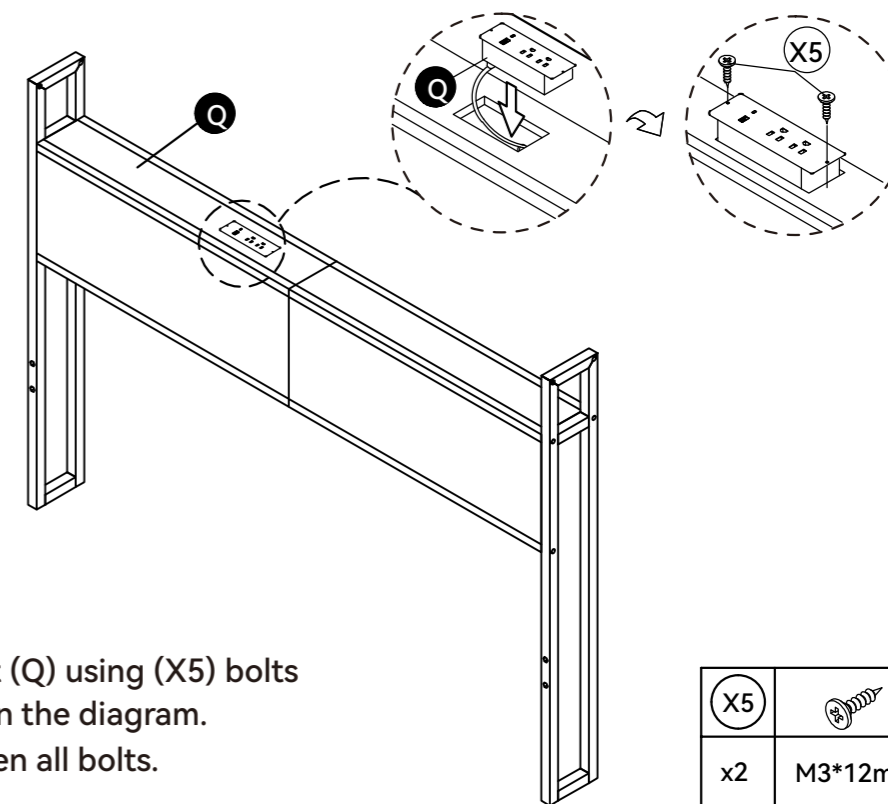


Secure parts (B) and (C) using (X1) and (X4) bolts.

NOTE: Fully tighten the (X4) bolts.
Tighten the (X1) bolts to 80% only to allow for later adjustment.

(X1)		(X4)	
x4	M8*50mm	x6	M6*10mm

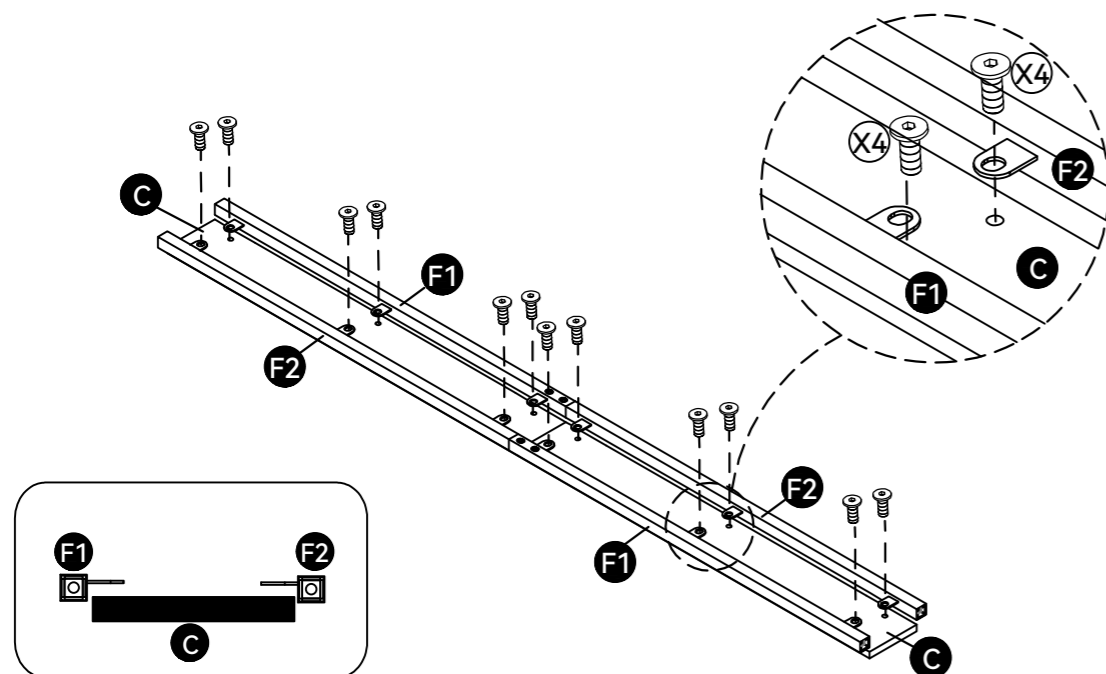
Step 6




Install part (Q) using (X5) bolts as shown in the diagram.
Fully tighten all bolts.

(X5)	
x2	M3*12mm

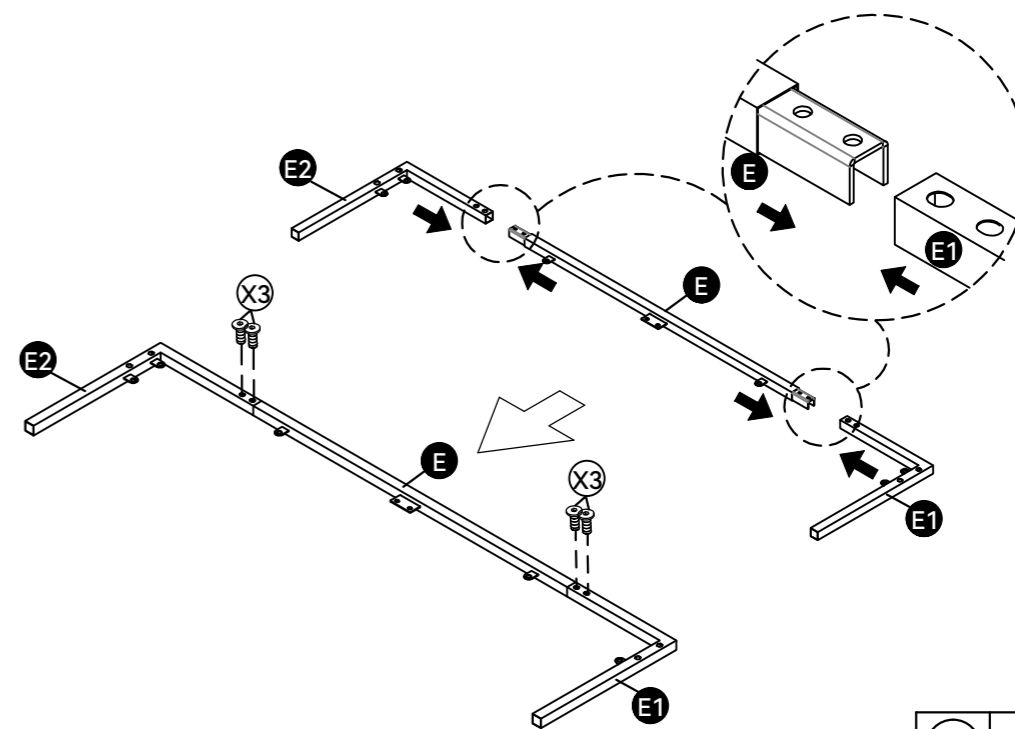
Step 7




Position part (C) as shown.
Attach parts (F1) and (F2) to part (C) using (X4) bolts,
then fully tighten.

X4	
x12	M6*10mm

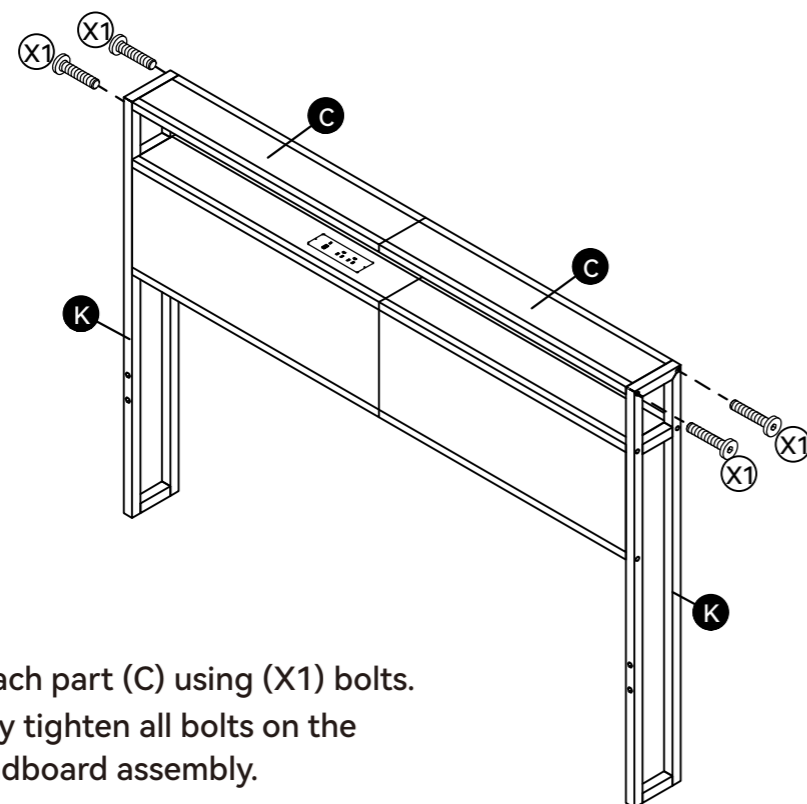
Step 9




Attach parts (E), (E1), and (E2) together using (X3) bolts.
Fully tighten.

X3	
x4	M8*18mm

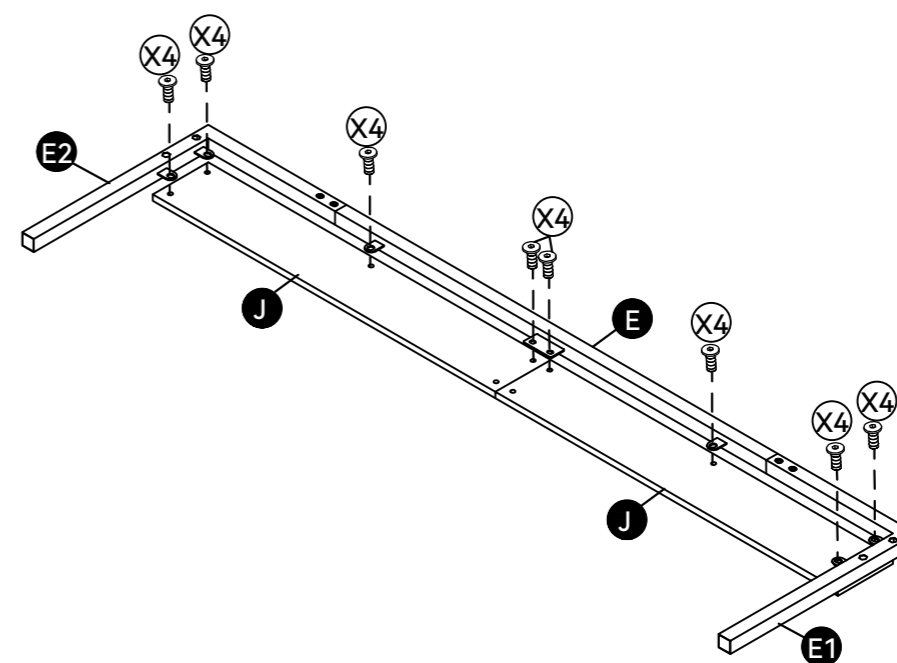
Step 8




1. Attach part (C) using (X1) bolts.
2. Fully tighten all bolts on the
headboard assembly.

X1	
x4	M8*50mm

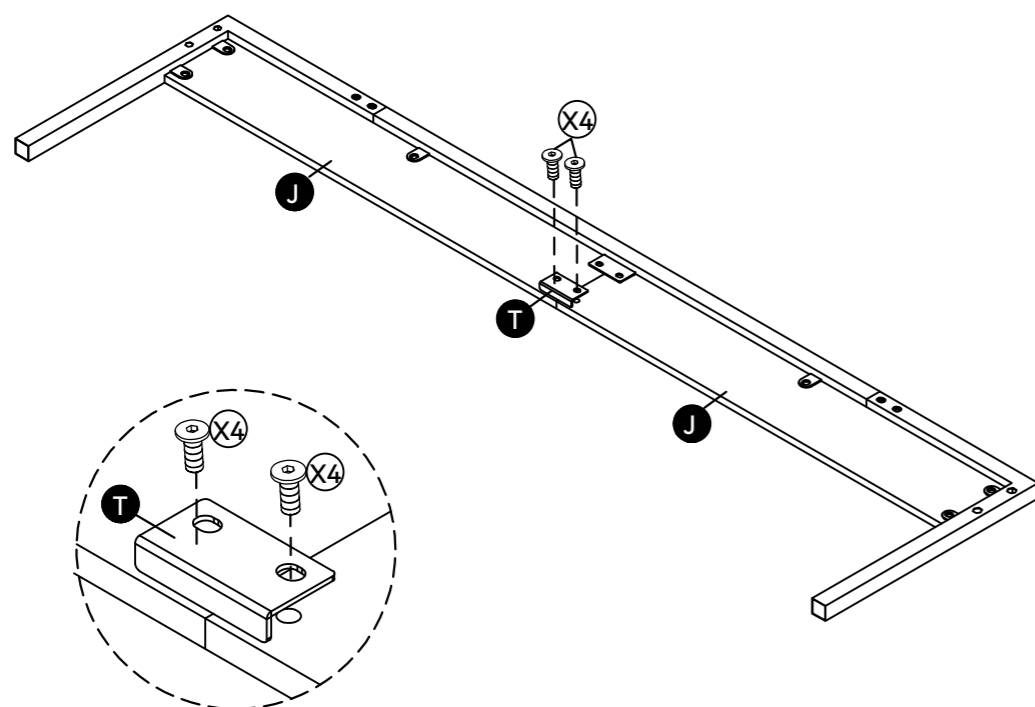
Step 10




Install part (J) using (X4) bolts. Fully tighten.

X4	
x8	M6*10mm

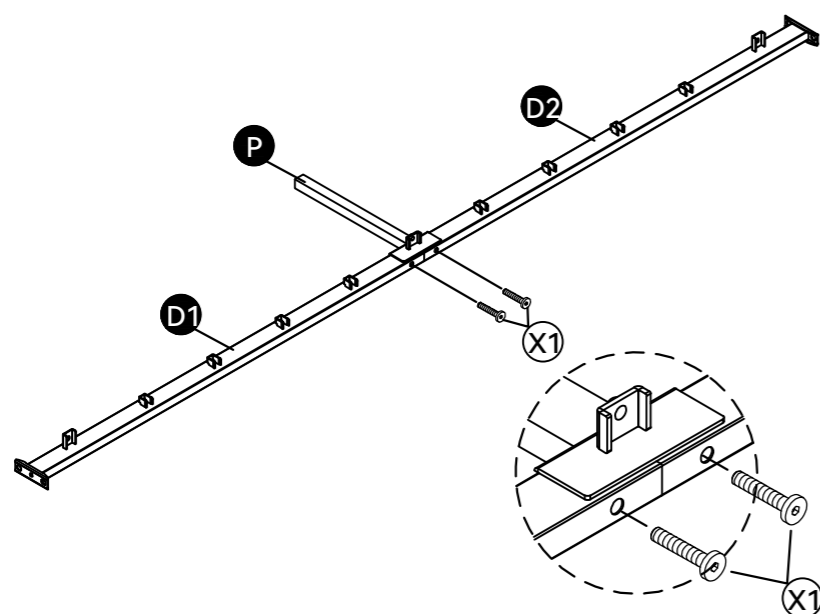
Step 11




Attach part (T) to part (J) using (X4) bolts.
Fully tighten.

X4	
x2	M6*10mm

Step 12

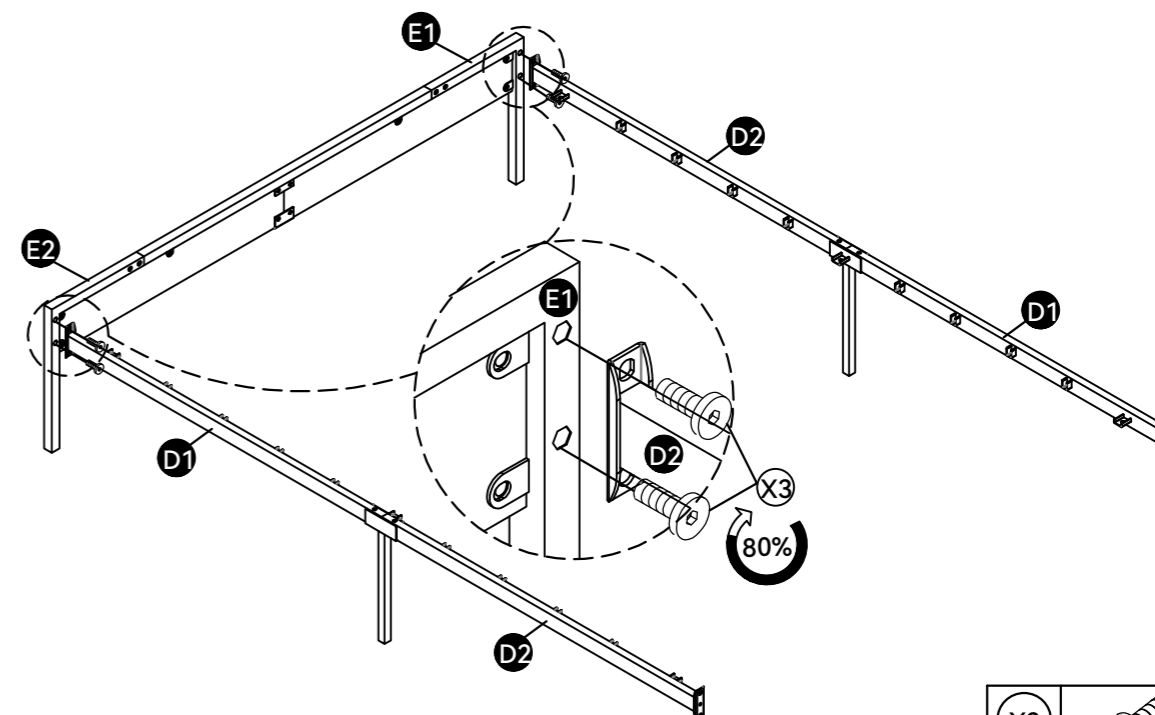


Attach parts (D1) and (D2) to part (P) using (X1) bolts.
Fully tighten.


X1	
x4	M8*50mm

x2

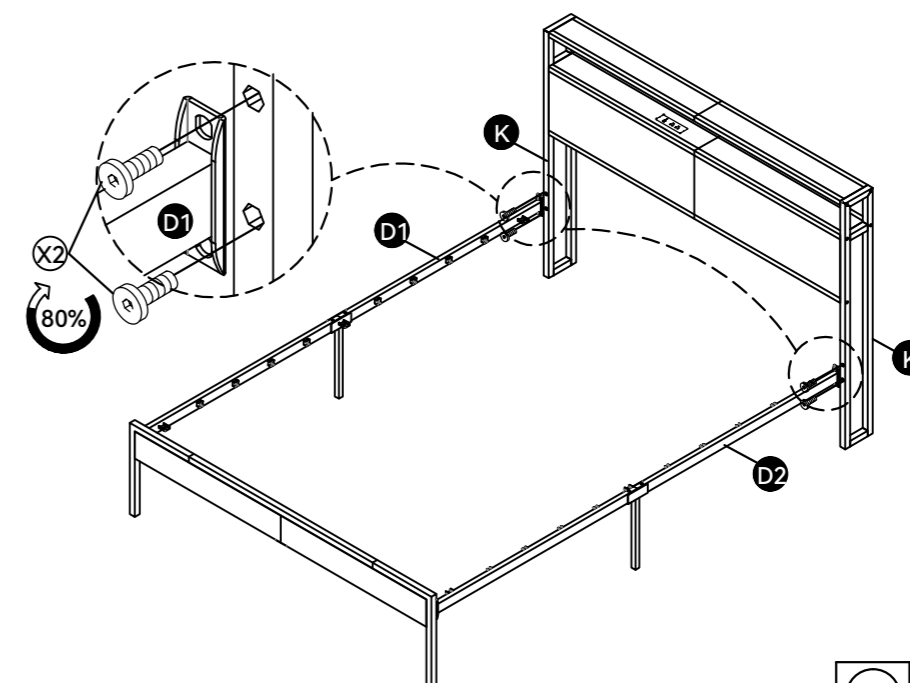
Step 13




Attach parts (D1), (D2), (E1), and (E2) together using (X3) bolts.
Tighten the bolts to 80% only to allow for later adjustment.

X3	
x4	M8*18mm

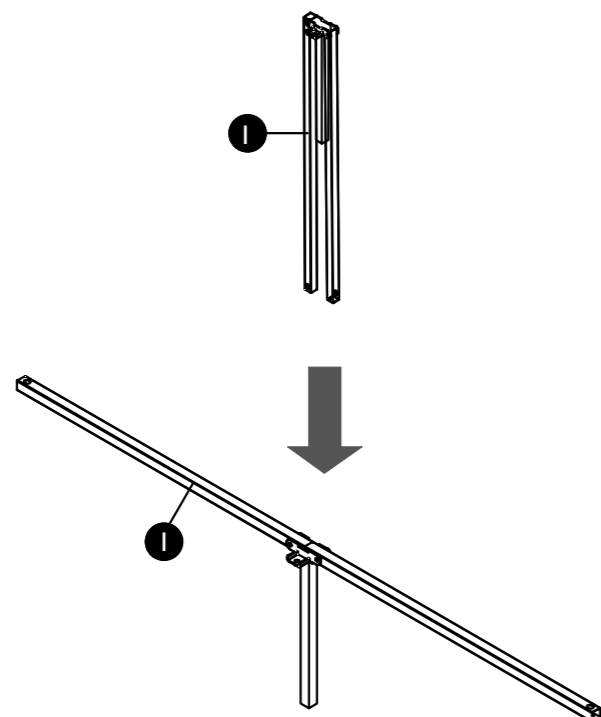
Step 14



Attach parts (D1), (D2), and (K) together using (X2) bolts.
Tighten the bolts to 80% only to allow for later adjustment.

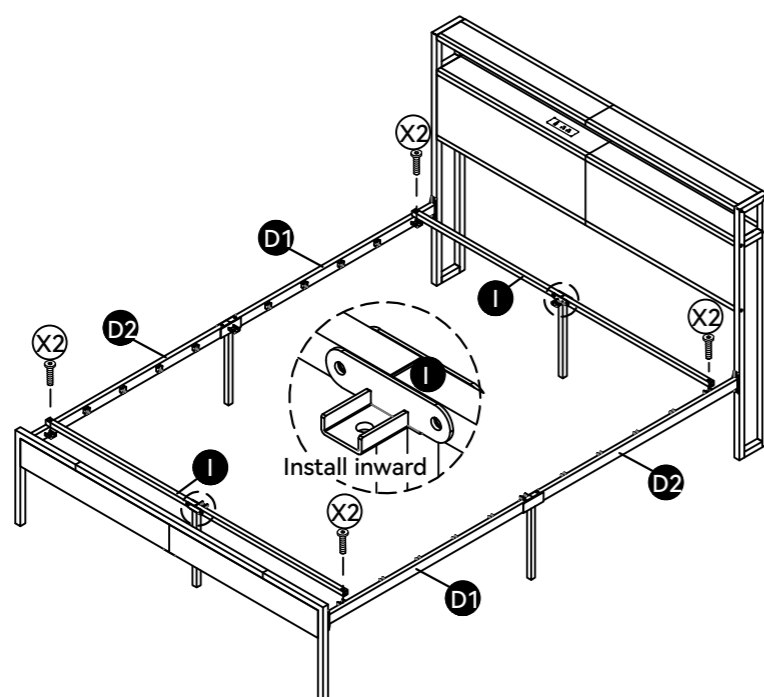
X2	
x4	M8*30mm

Step 15




Unfold part (I).

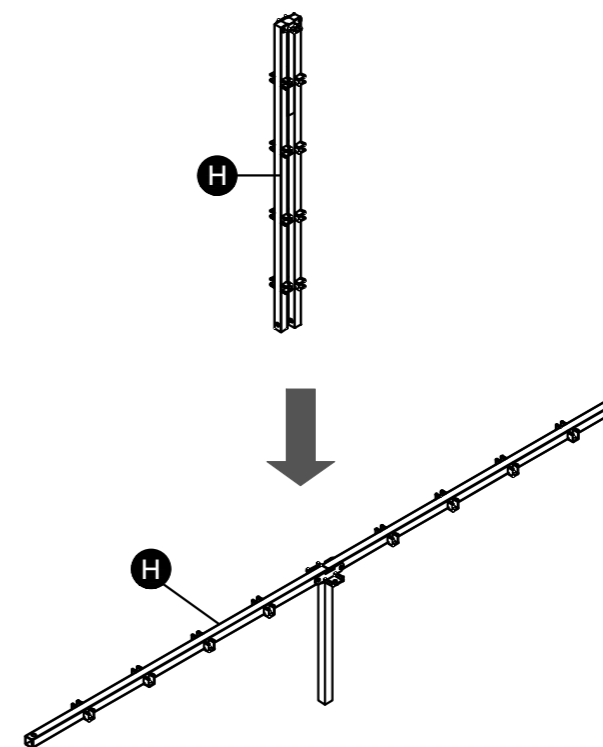
Step 16



Install part (I) as shown using (X2) bolts.
Fully tighten.

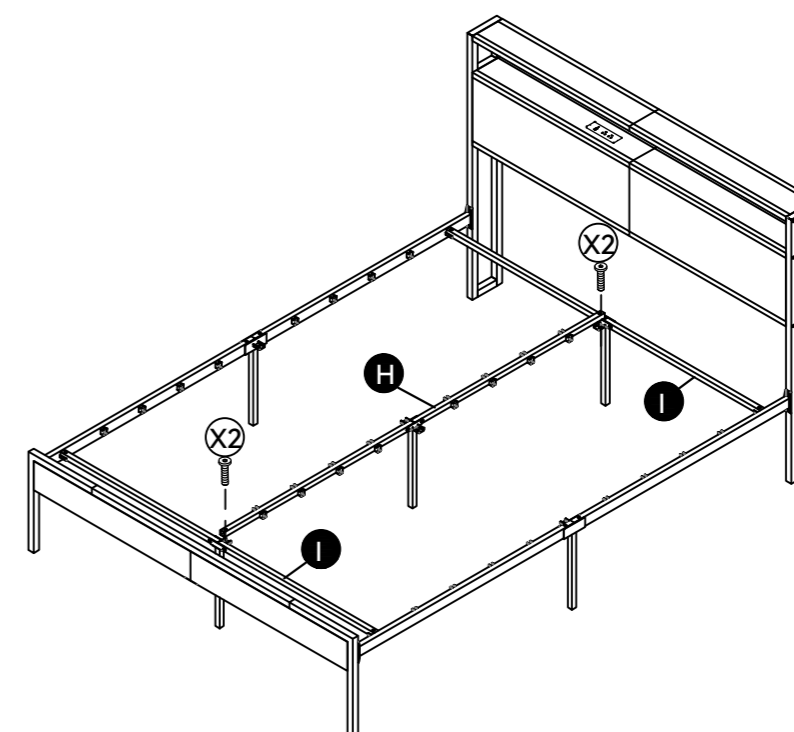
X2	
x4	M8*30mm

Step 17

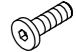


Unfold part (H).

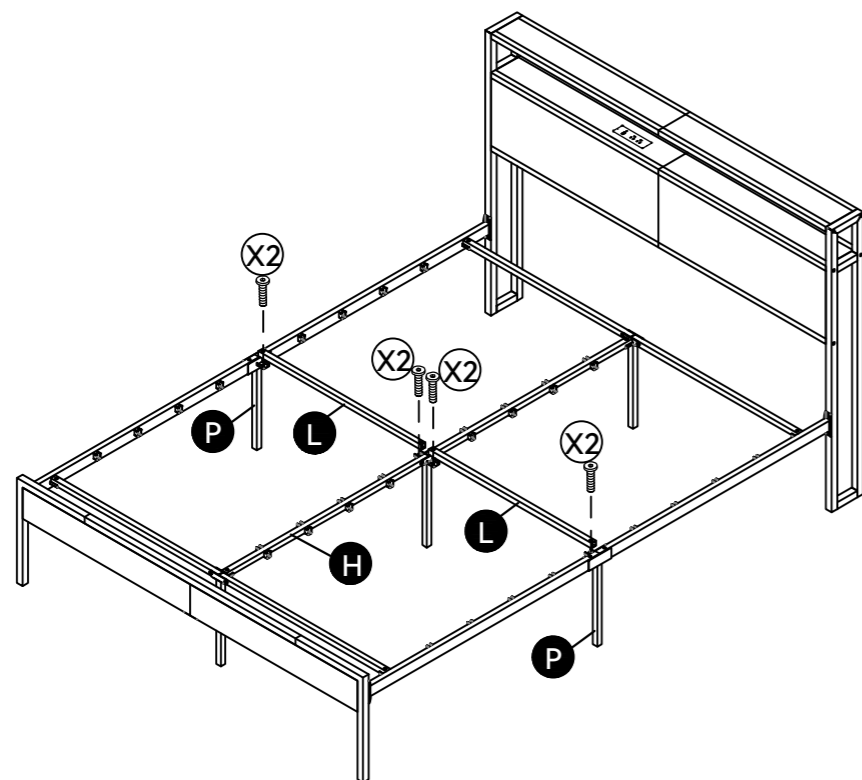
Step 18




Install part (H) using (X2) bolts. Fully tighten.

X3	
x2	M8*30mm

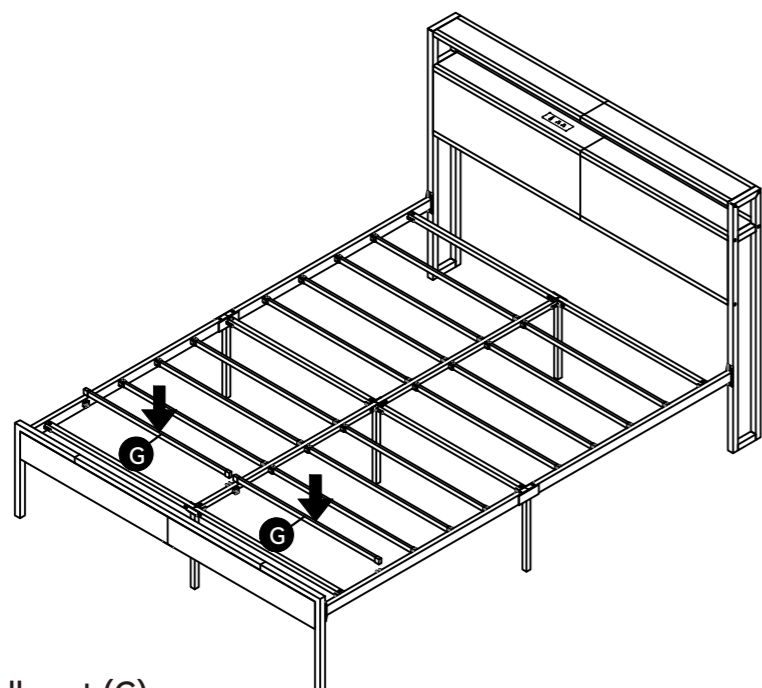
Step 19



Install part (L) using (X2) bolts. Fully tighten.

(X2)	
x4	M8*30mm

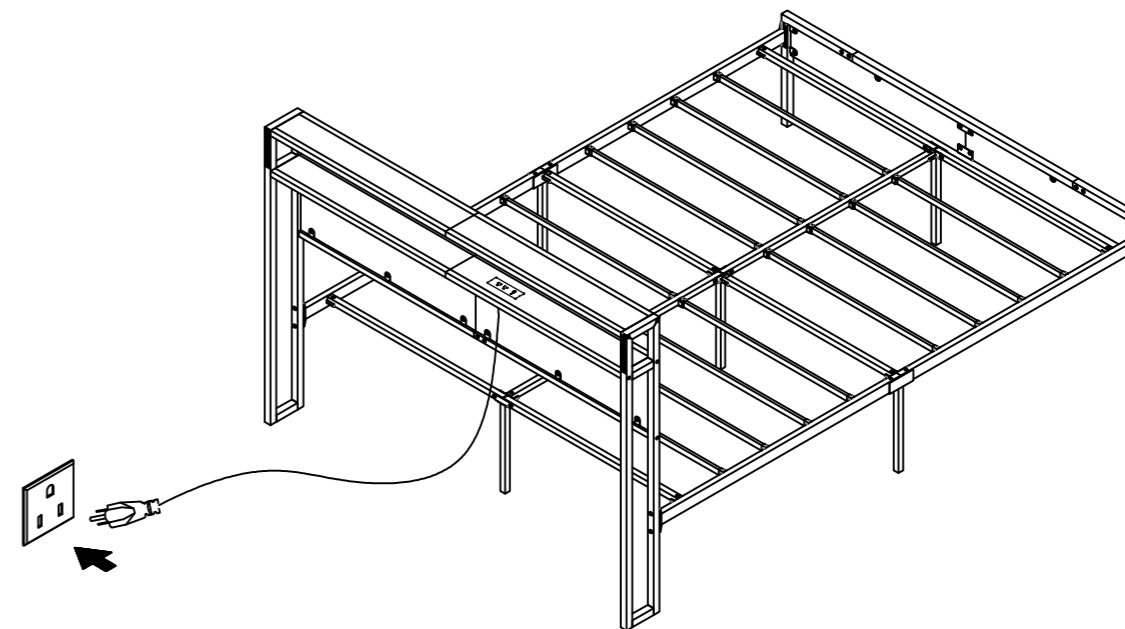
Step 20



Install part (G).

IMPORTANT: Fully tighten ALL bolts on the bed frame at this time.

Step 21



Plug the power cord into a wall outlet.