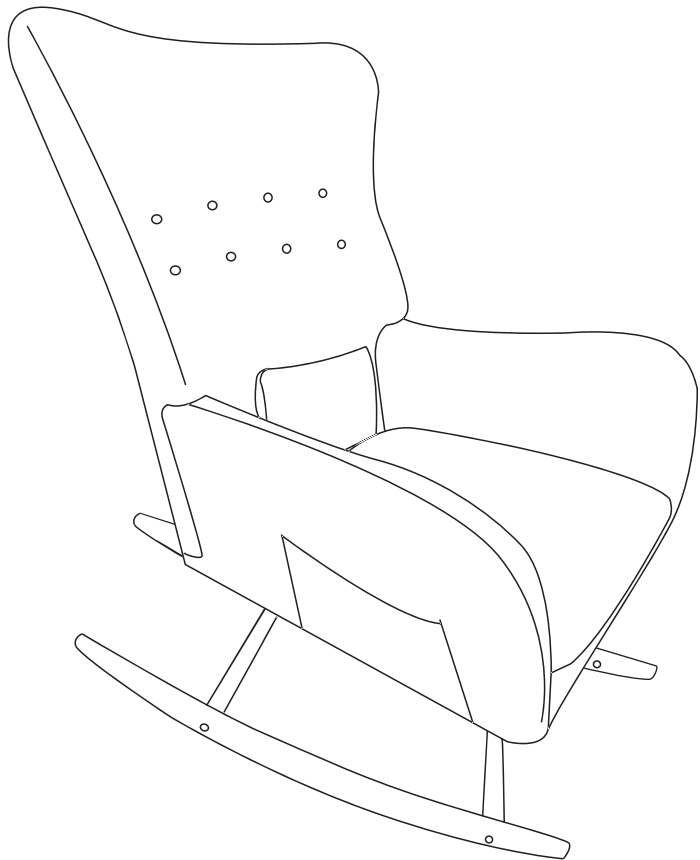


# Rocking Chair

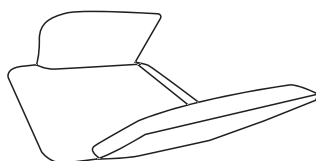


# Parts list

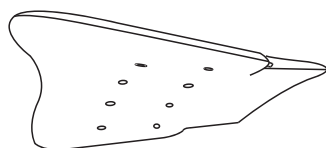
(1) A x1



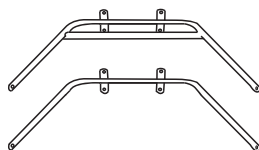
(2) B x1



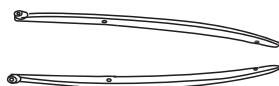
(3) C x1



(4) D x1



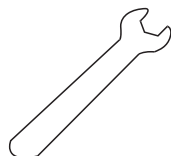
(5) E x1



(6) F x4



(7) G x1



(8) H x1



(9) I x2



(10) J x8



(11) K x4

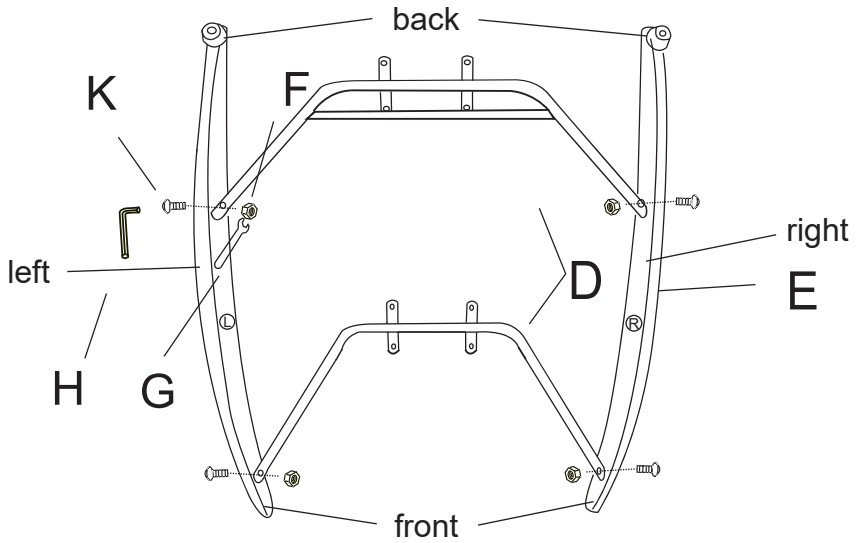


(12) L x2



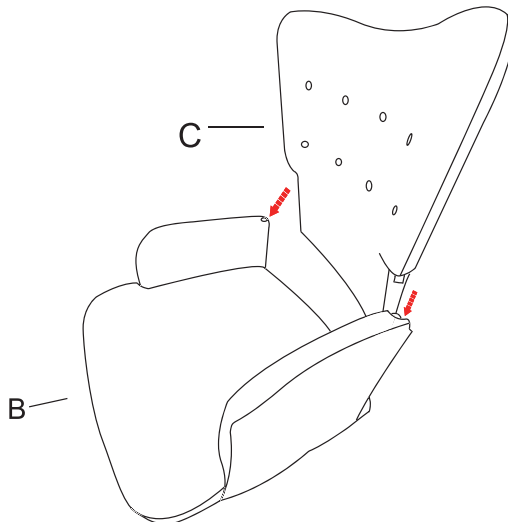
# Installation steps

①



Screw the screws into the screw holes in the chair legs.

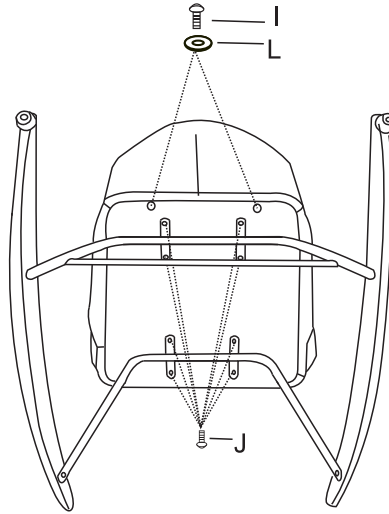
②



Connect the backrest to the seat.

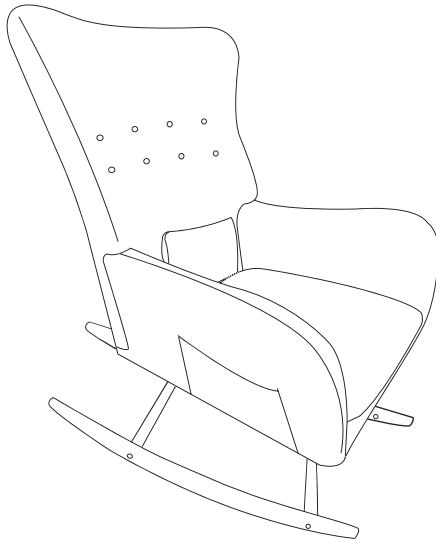
# Installation steps

③



Fasten the legs and seat together with screws.

④



1.

**Q: What should I do if the screw does not match the hole?**

A: Don't tighten all the screws yet. Align all the screws and finally tighten all the screws.

2.

**Q: What should I do if I am still unable to install?**

A: Please feel free to contact us, we will provide you with a satisfactory after-sales solution within 24h.