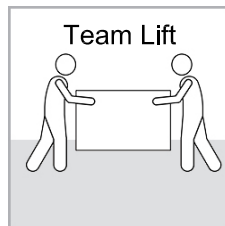
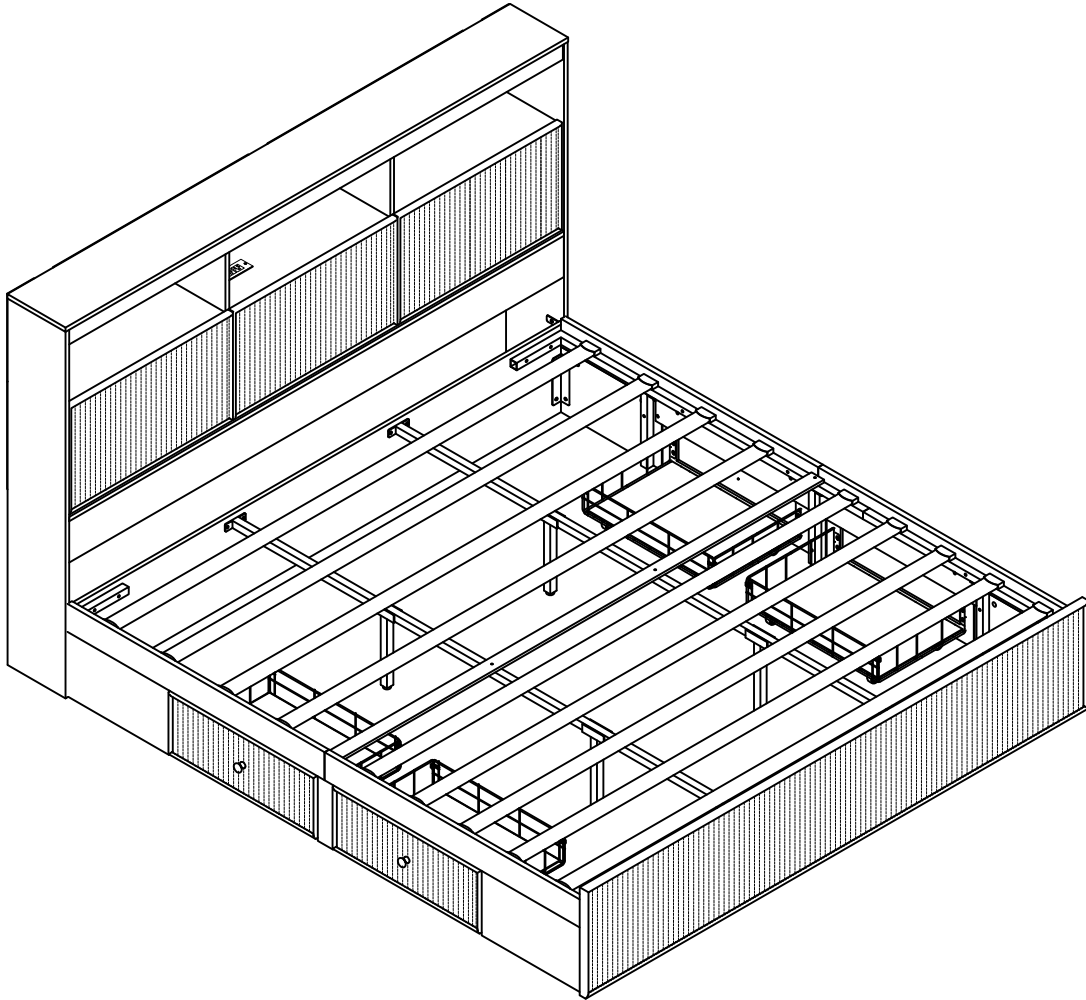
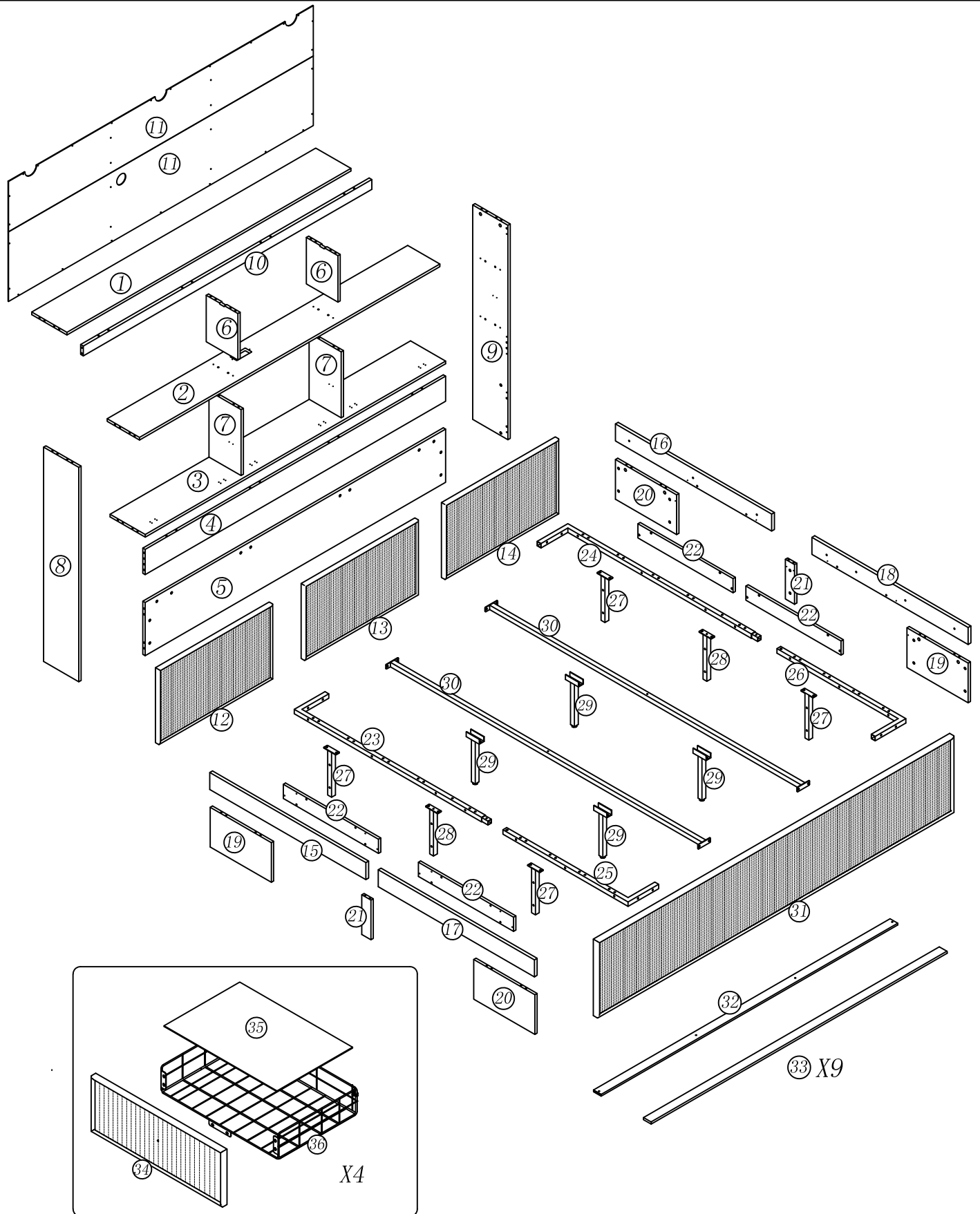



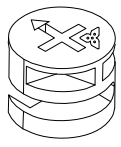


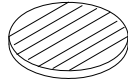
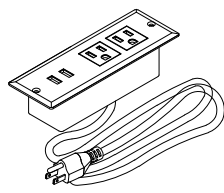
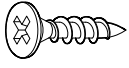
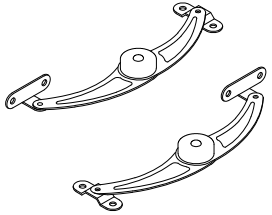
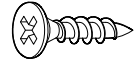
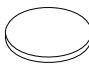
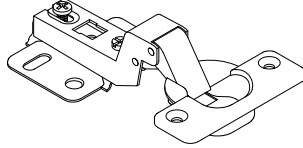


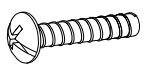

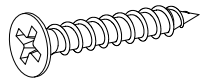
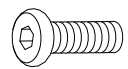
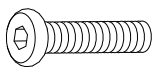
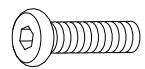
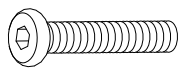
ASSEMBLY INSTRUCTIONS



PACKAGE INCLUDE

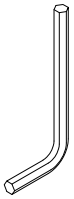


PACKAGE CONTENT

<p>Ø6x35MM</p>  <p>(A) 54x+2</p>	<p>Ø15x11MM</p>  <p>(B) 54x+2</p>	<p>Ø8x30MM</p>  <p>(C) 57x+2</p>	<p>Ø8x20MM</p>  <p>(D) 8x+1</p>
<p>Ø25MM</p>  <p>(E) 30x+2</p>	 <p>(F) 1x</p>	<p>Ø3x12MM</p>  <p>(G) 2x</p>	 <p>(H) 3x</p>
<p>Ø3x12MM</p>  <p>(J) 24x+2</p>	<p>Ø10x2MM</p>  <p>(K) 6x</p>	<p>Ø35MM</p>  <p>(L) 6x</p>	<p>Ø3.5x14MM</p>  <p>(M) 36x+2</p>
<p>Ø24x21MM</p>  <p>(N) 4x</p>	<p>5/32"x13 MM</p>  <p>(O) 4x</p>	<p>Ø3x15MM</p>  <p>(P) 33x+2</p>	<p>Ø4x19MM</p>  <p>(Q) 16x+1</p>
<p>M6x12MM</p>  <p>(R) 78x+2</p>	<p>M6x35MM</p>  <p>(S) 34x+2</p>	<p>M6x20MM</p>  <p>(T) 2x</p>	<p>M6x45MM</p>  <p>(U) 2x</p>

PACKAGE CONTENT

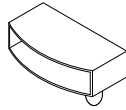
4MM



(V)

1x

56*30*30MM



(W)

18x+1

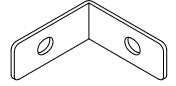
160*35*35*2MM



(X)

4x

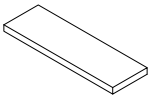
50*35*35*2MM



(Y)

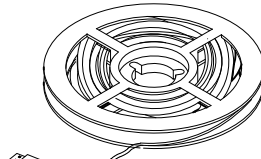
4x

48*15*3MM



(Z)

20x+2

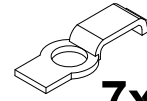


1x



1x

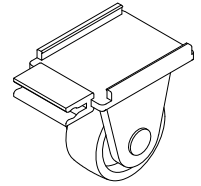
(AA)



7x



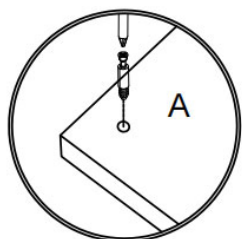
7x



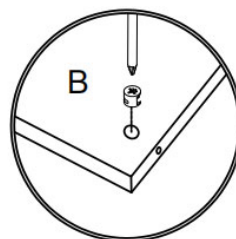
(AB)

16x

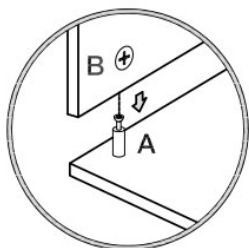
How to use the cam lock system



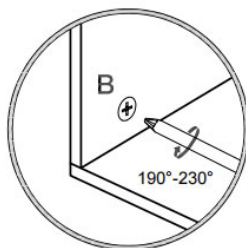
1. Screw cam bolt into panel



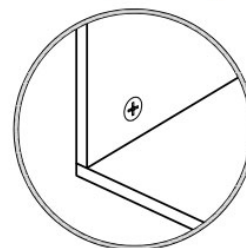
2. Push cam into panel - arrow feature on cam top points to panel edge



3. Align cam bolt(s) with cam(s) and insert all the way into cross-bored hole(s)

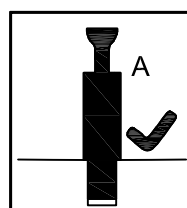
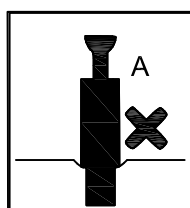
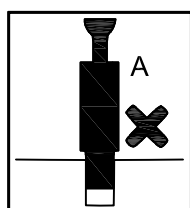
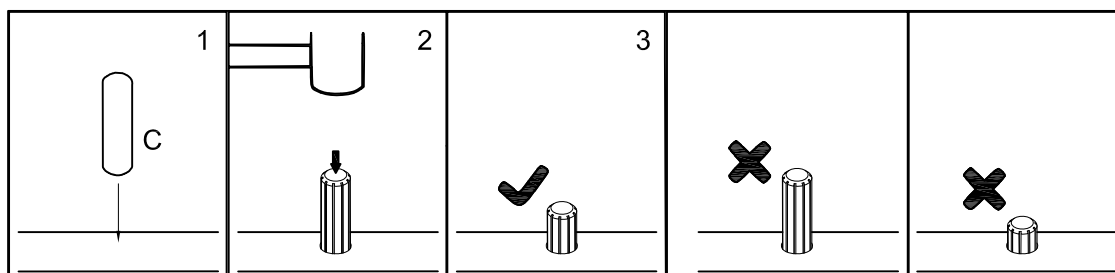


4. Rotate cam(s) clockwise 190°-230° to lock panels together



5. Panels should be tight against each other and connection should be rigid

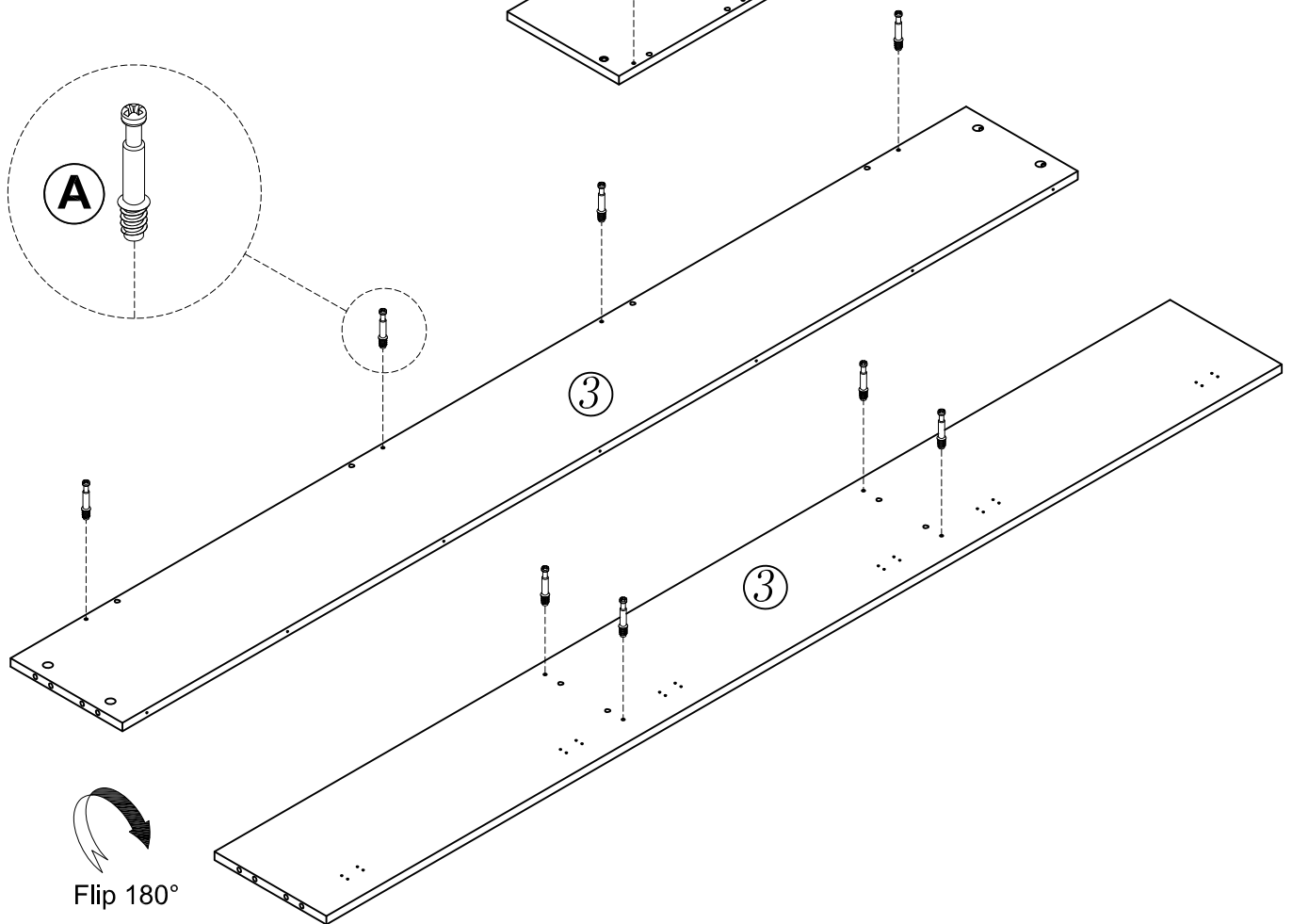
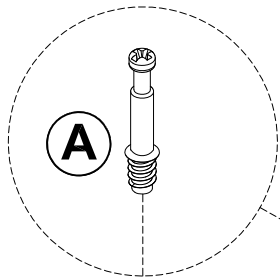
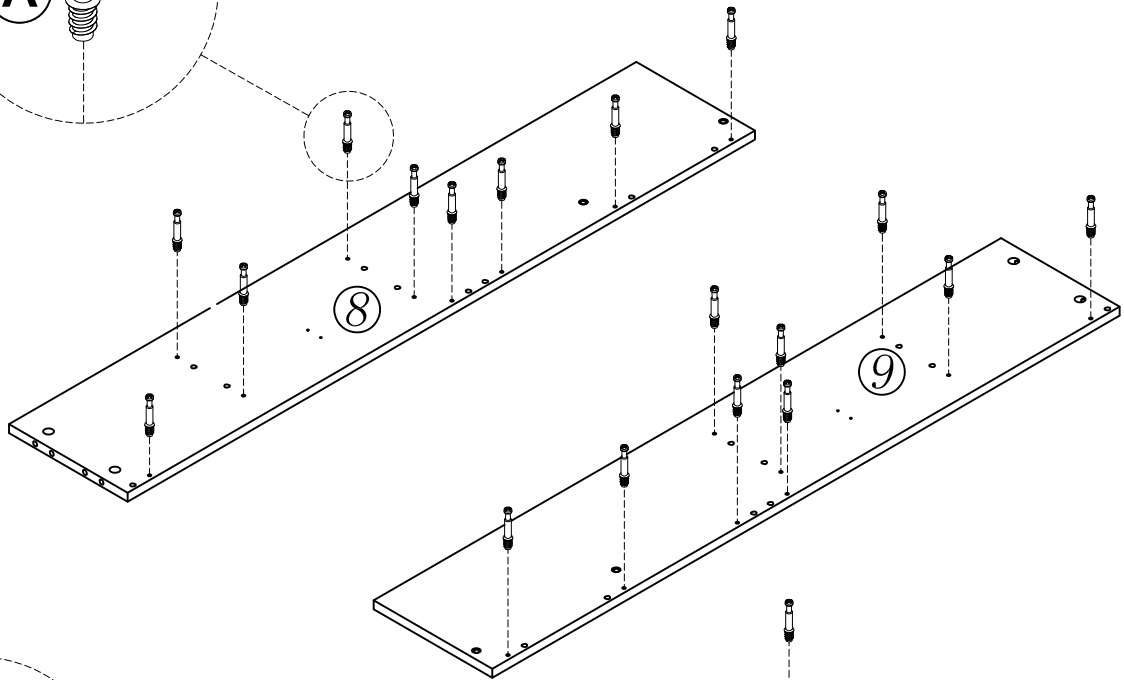
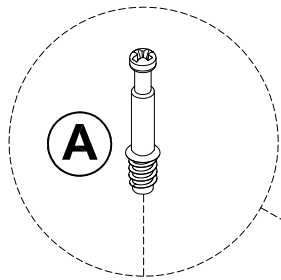
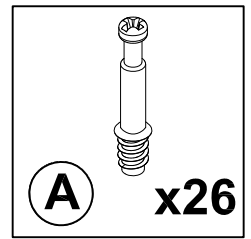
Insert the wood dowel (C) at least half way by tapping lightly with a rubber mallet, IT NECESSARY.



WARNING

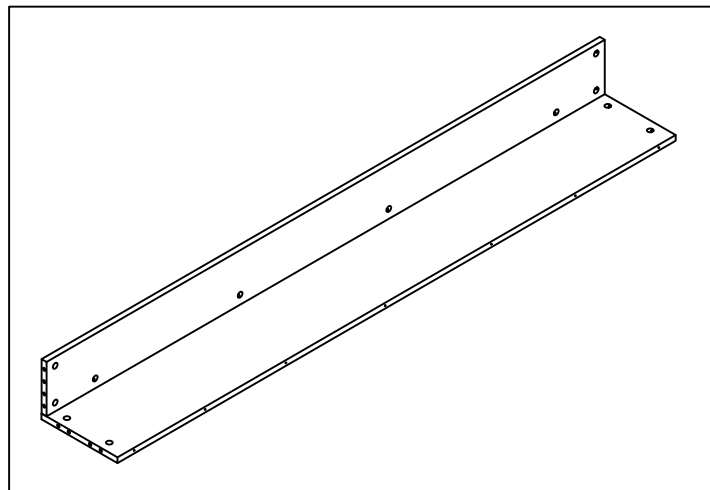
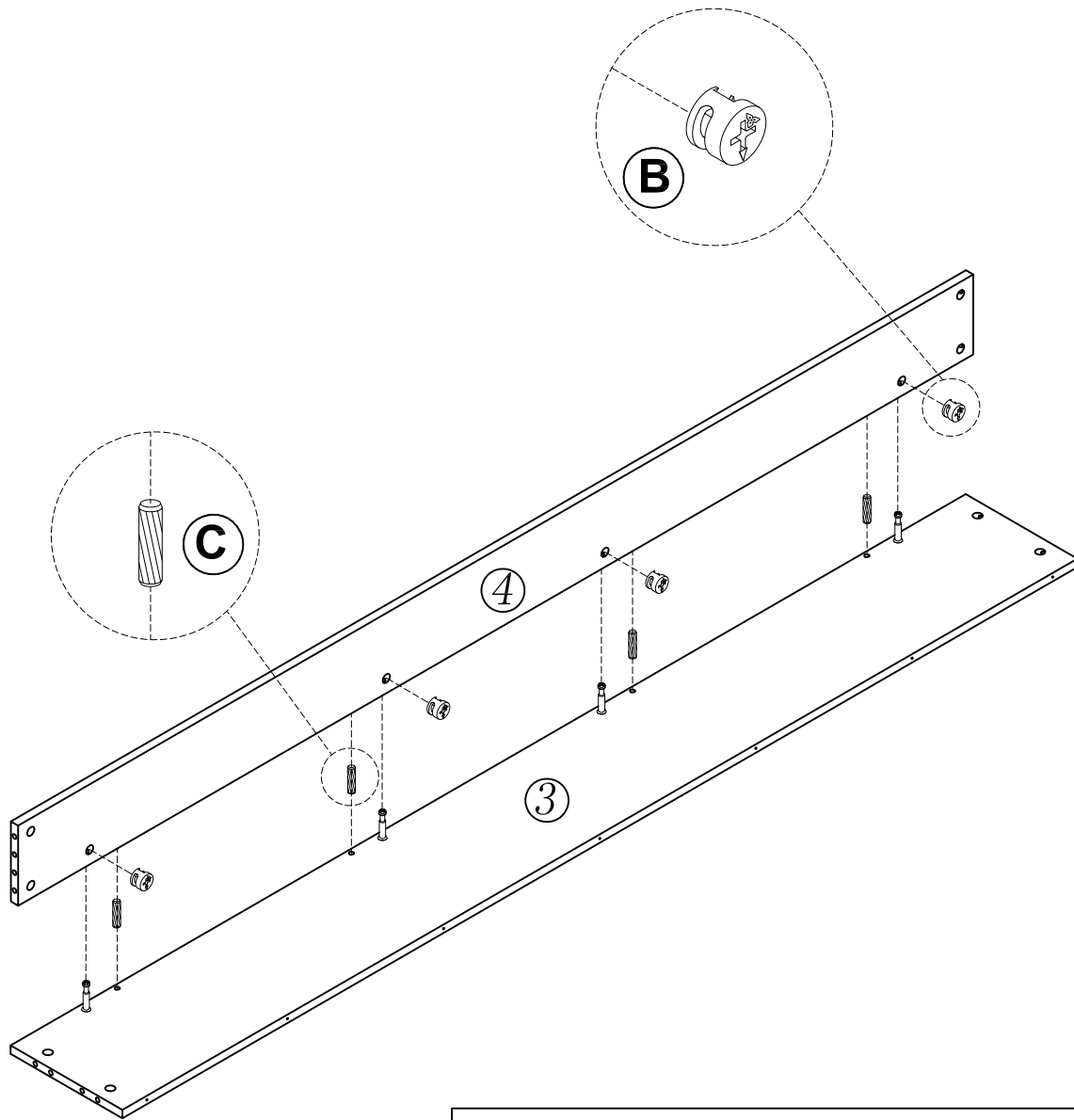
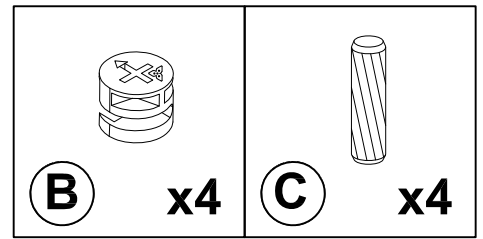
- Unit must be placed on a level surface or leveled with included hardware (when applicable).
- Do not sit or stand on or allow children to climb, sit or stand on the assembled product.
- For safety reasons, it is imperative that this unit be mounted to the wall.
- Do not use without installing the tip restraint.
- Unit can tip over causing severe injury or death.
- Do not exceed the recommended weight limits.
- Evenly distribute the weight on each level and always keep the heavier loads on the bottom.
- Before cutting, drilling or hammering into any wall or floor surface, verify the location of electrical, plumbing and gas lines. Cutting may cause serious injury.

STEP 1

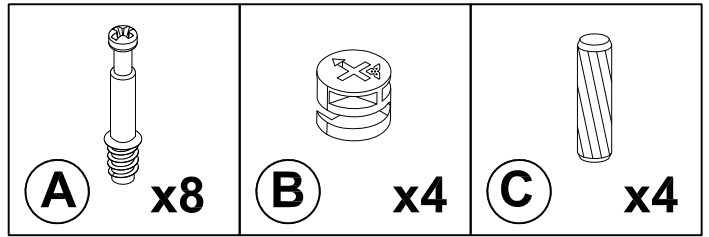



Flip 180°

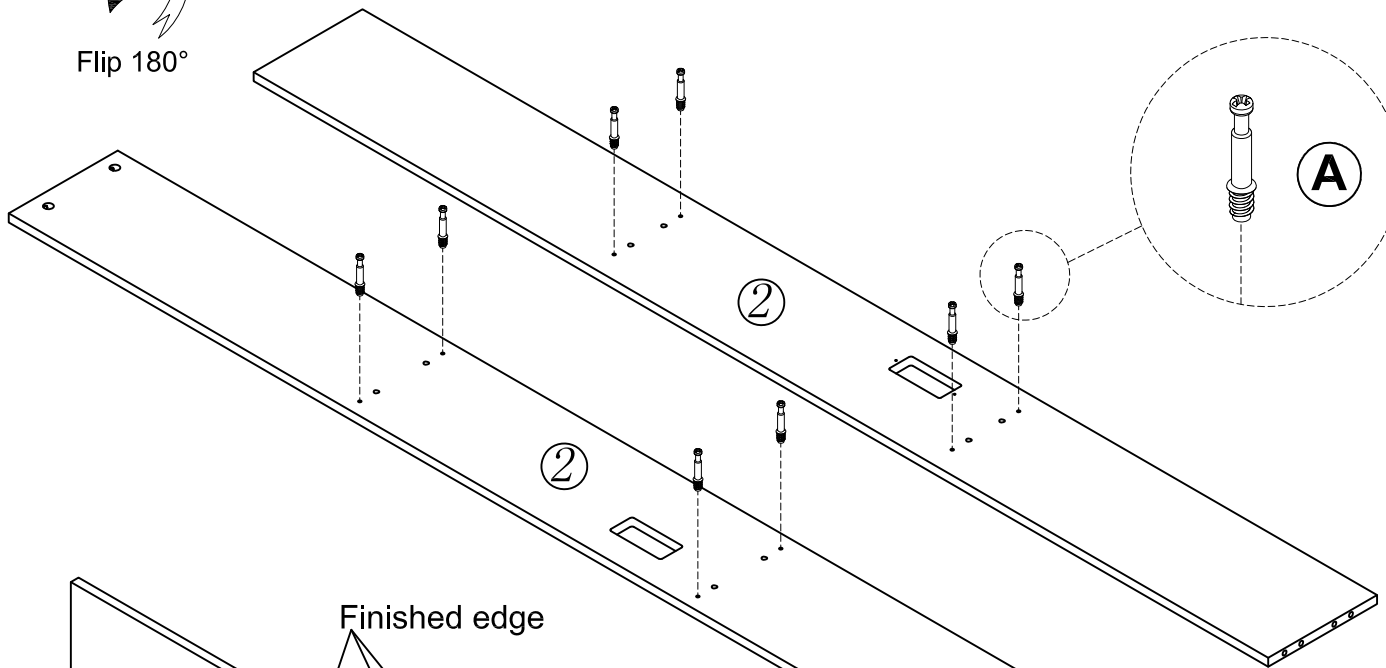
STEP 2



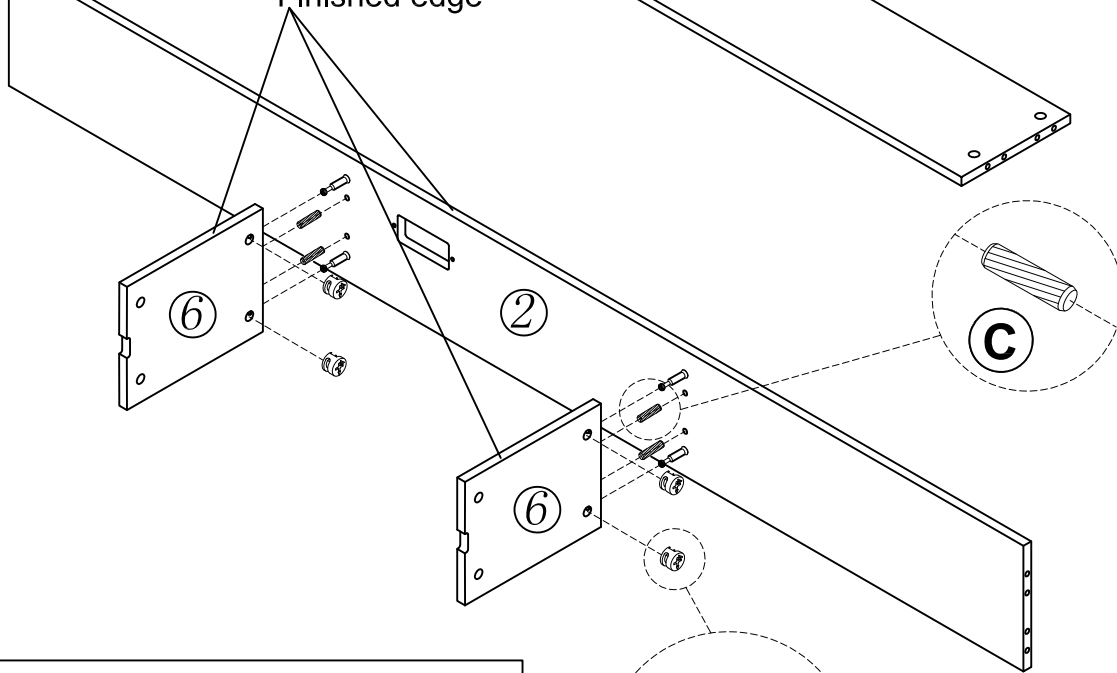
STEP 3



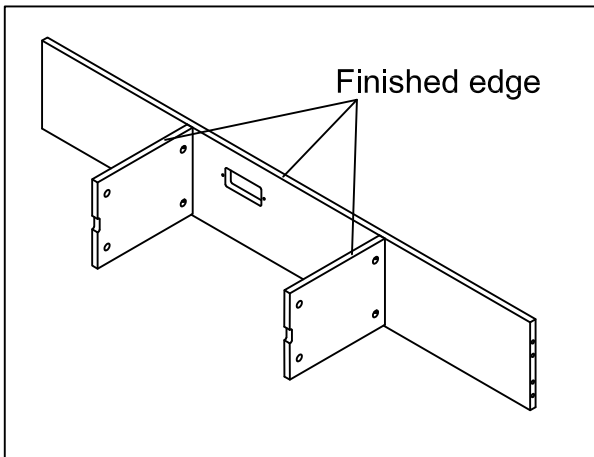
Flip 180°



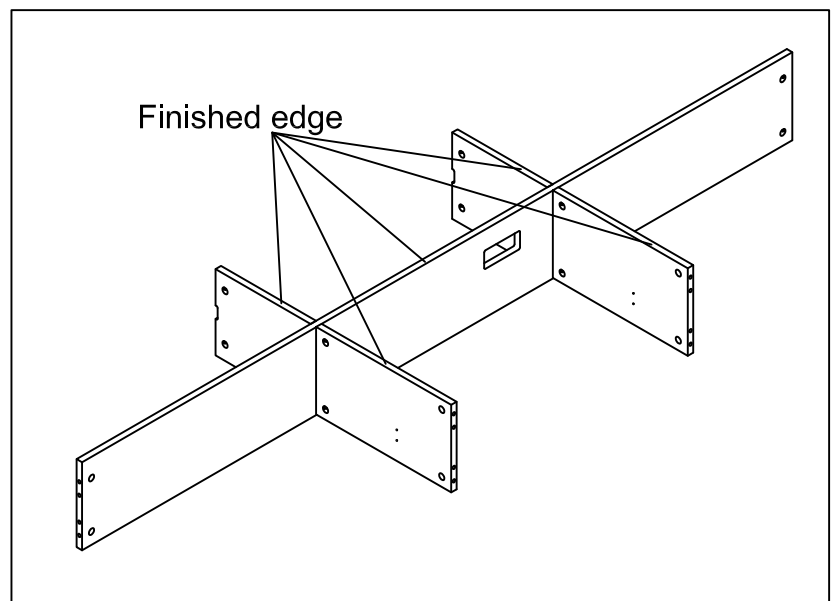
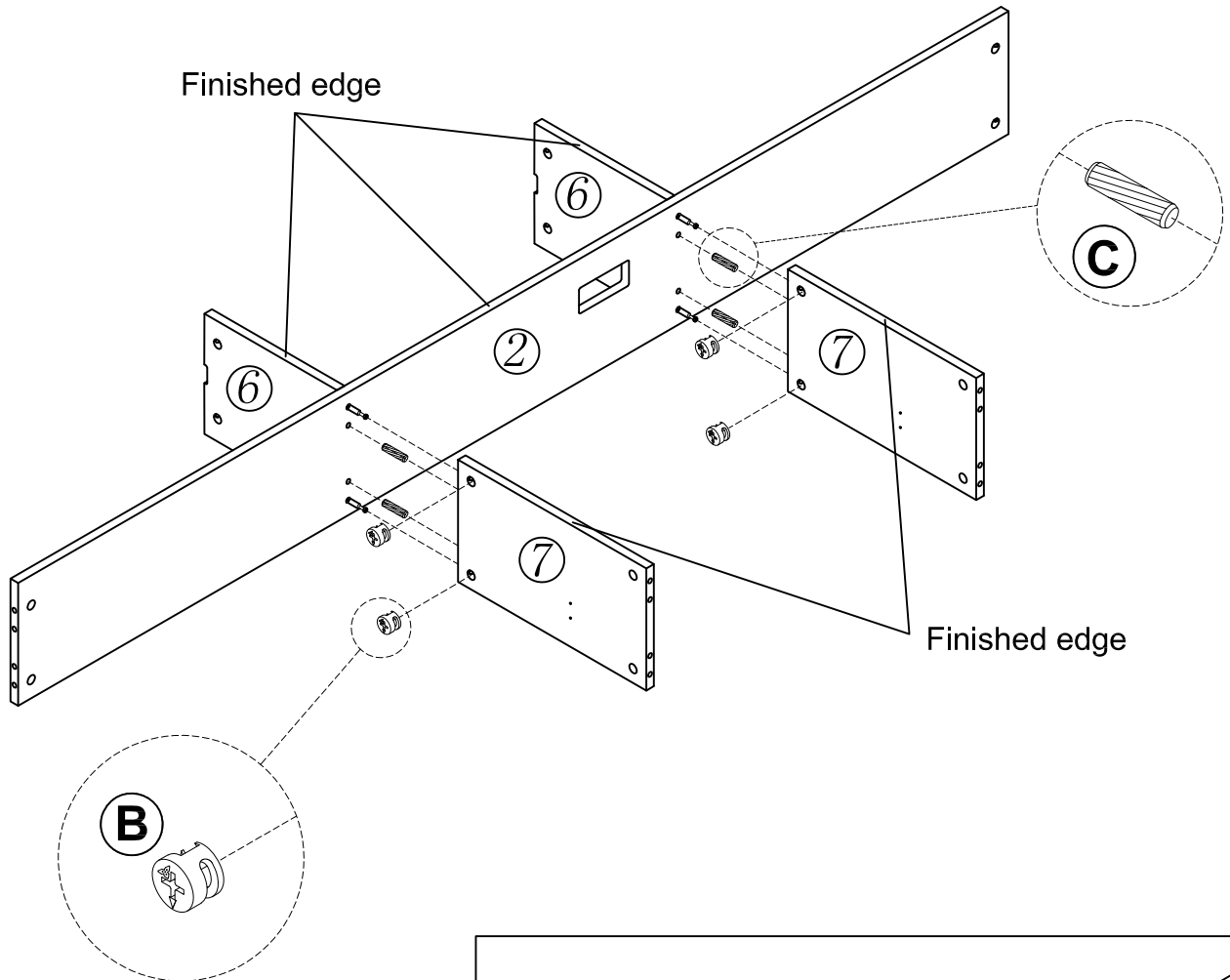
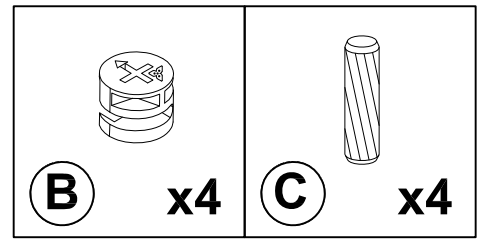
Finished edge



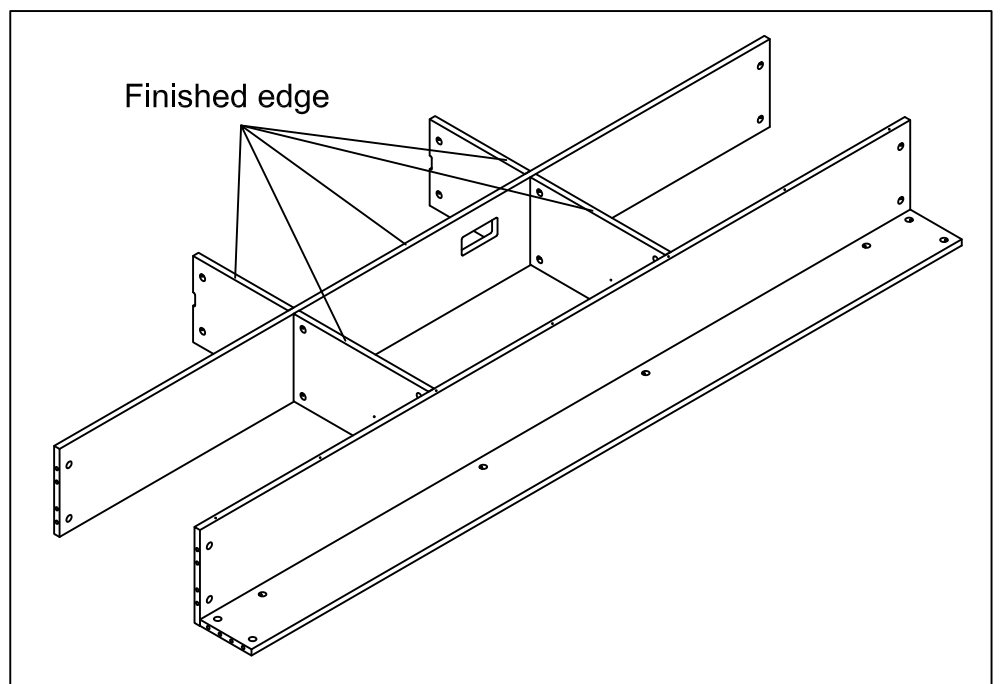
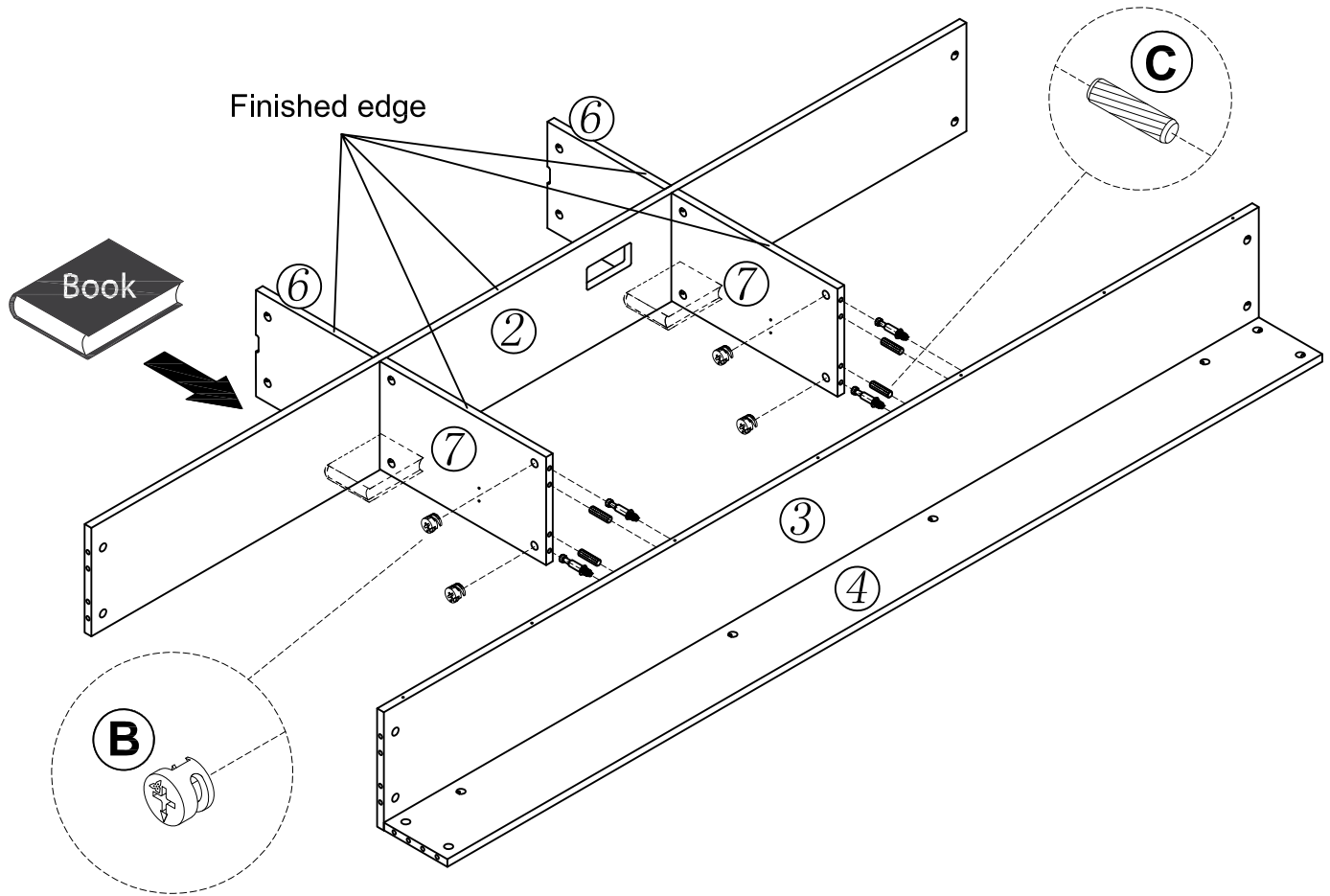
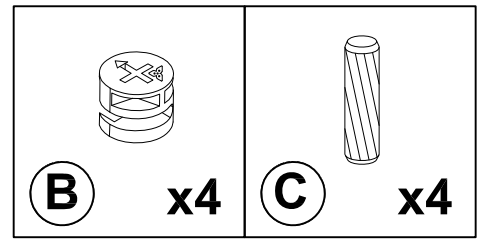
Finished edge



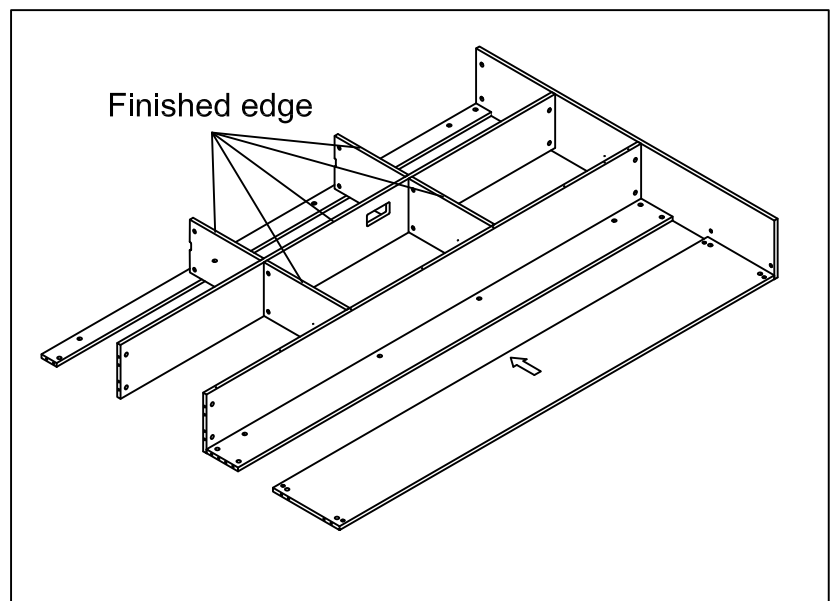
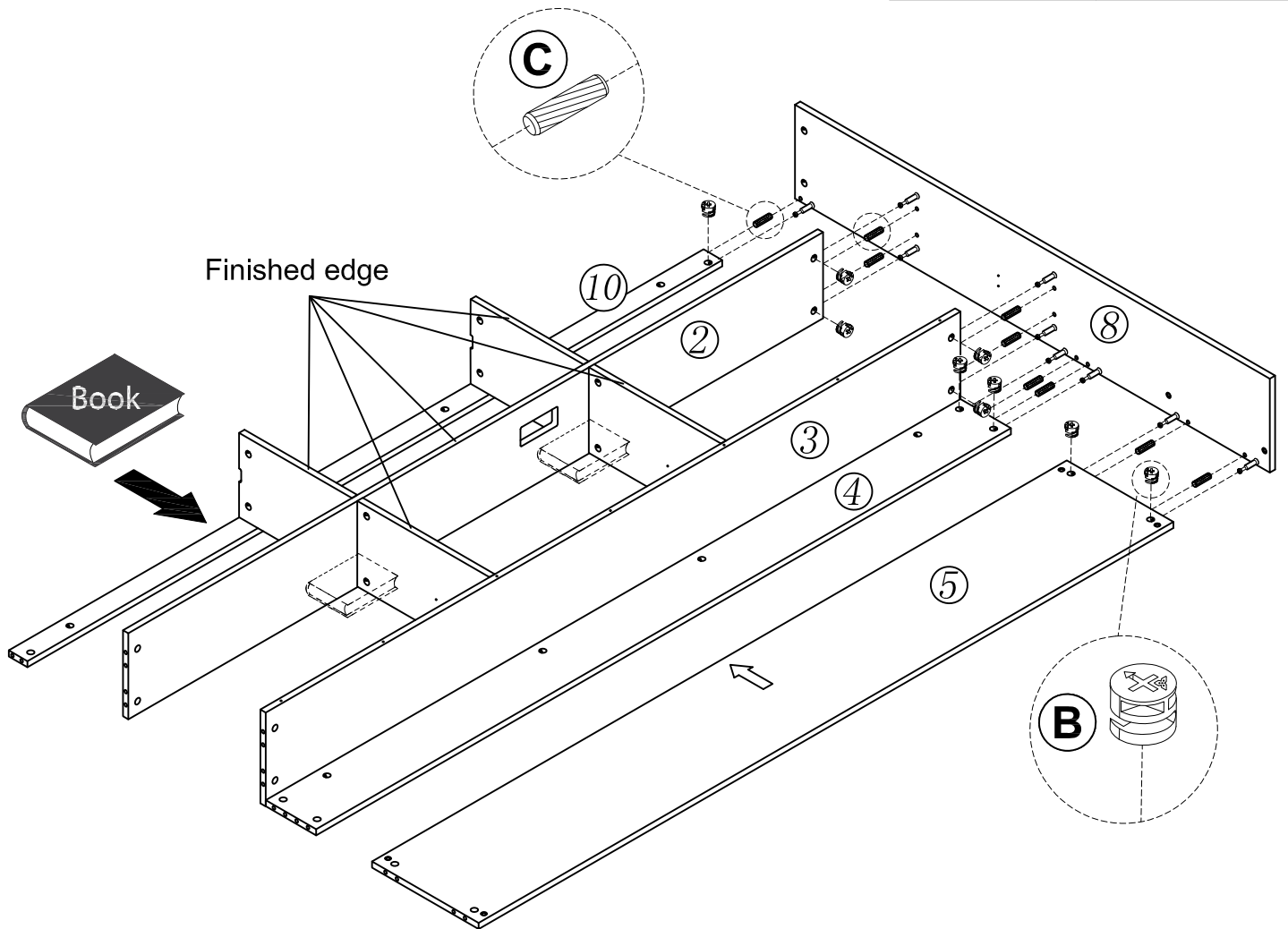
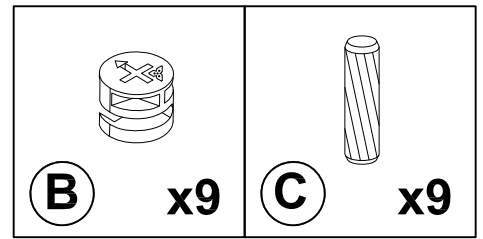
STEP 4



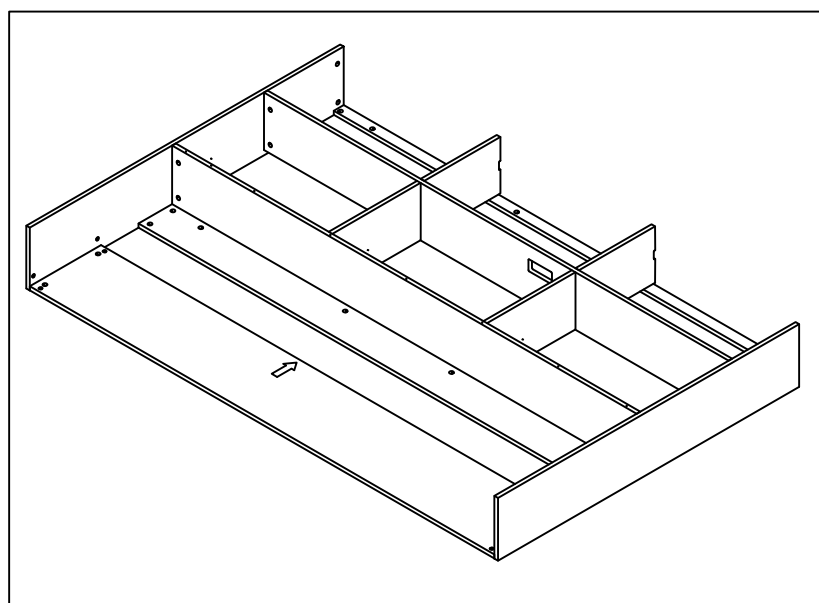
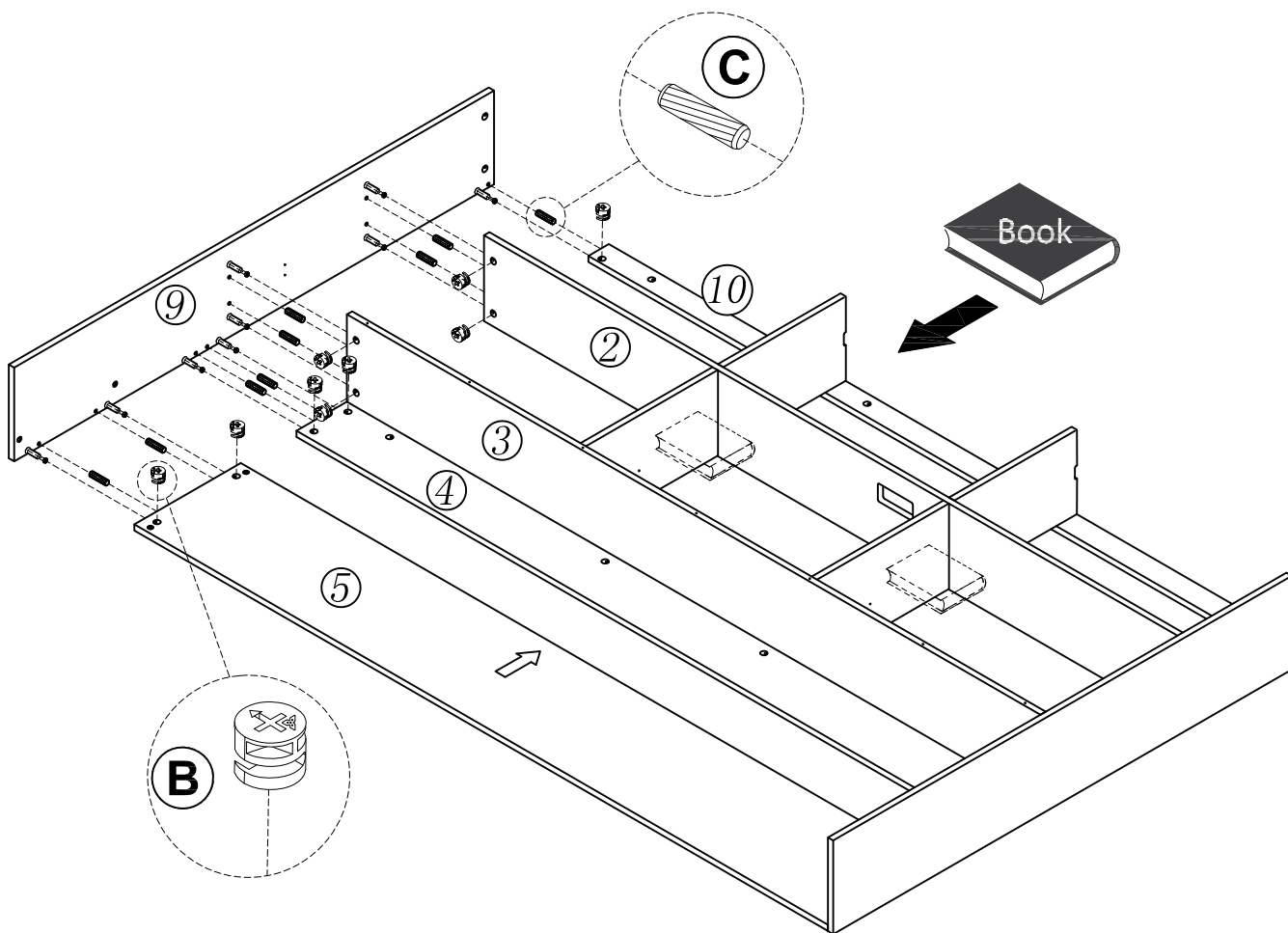
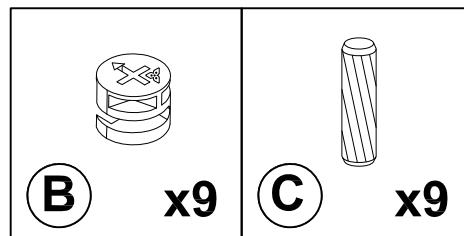
STEP 5



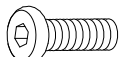
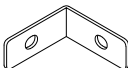

STEP 6

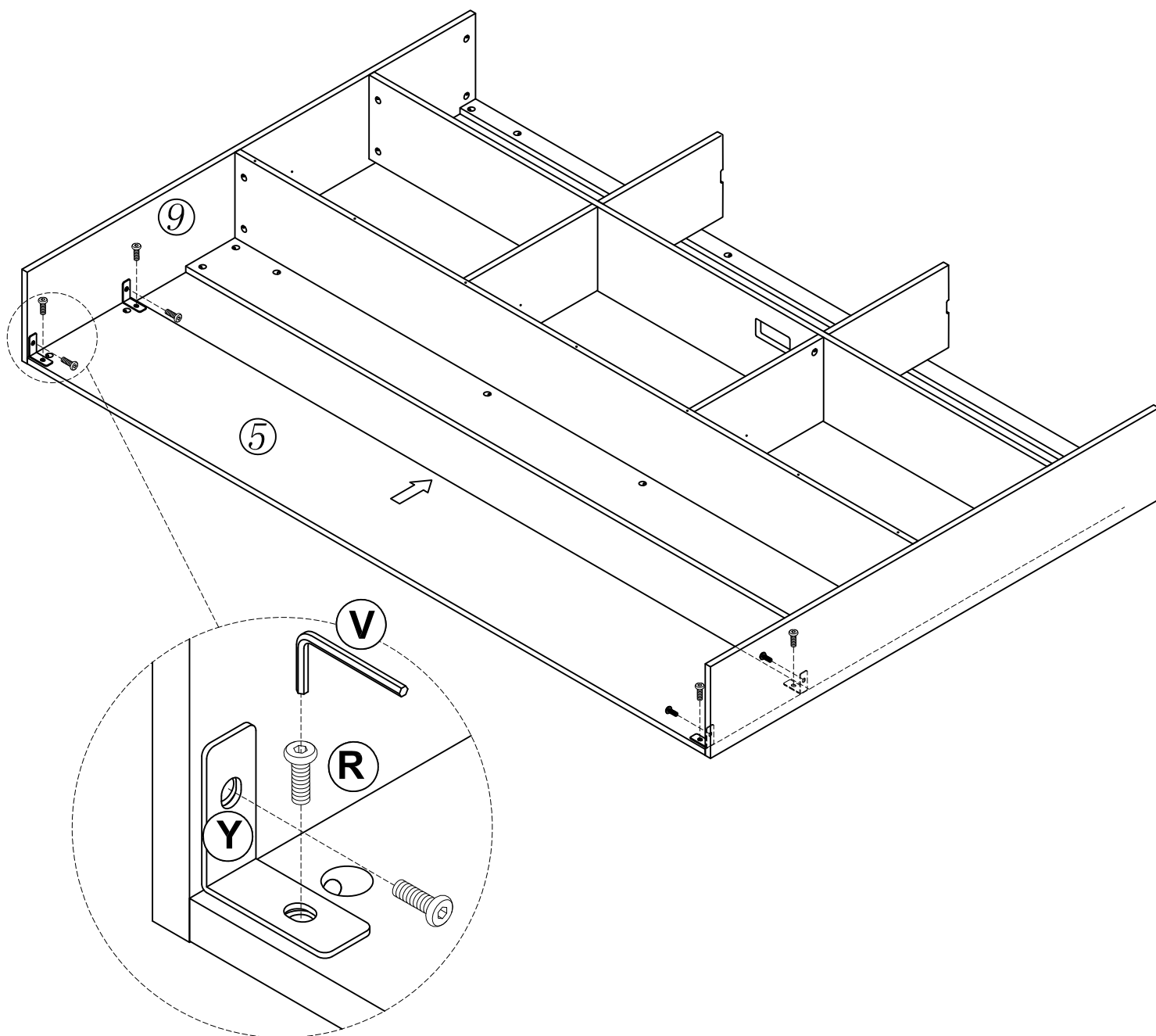


STEP 7

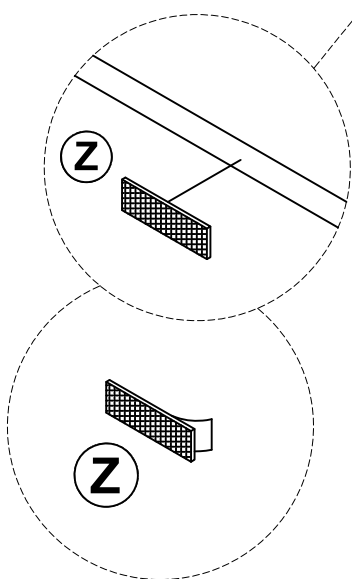
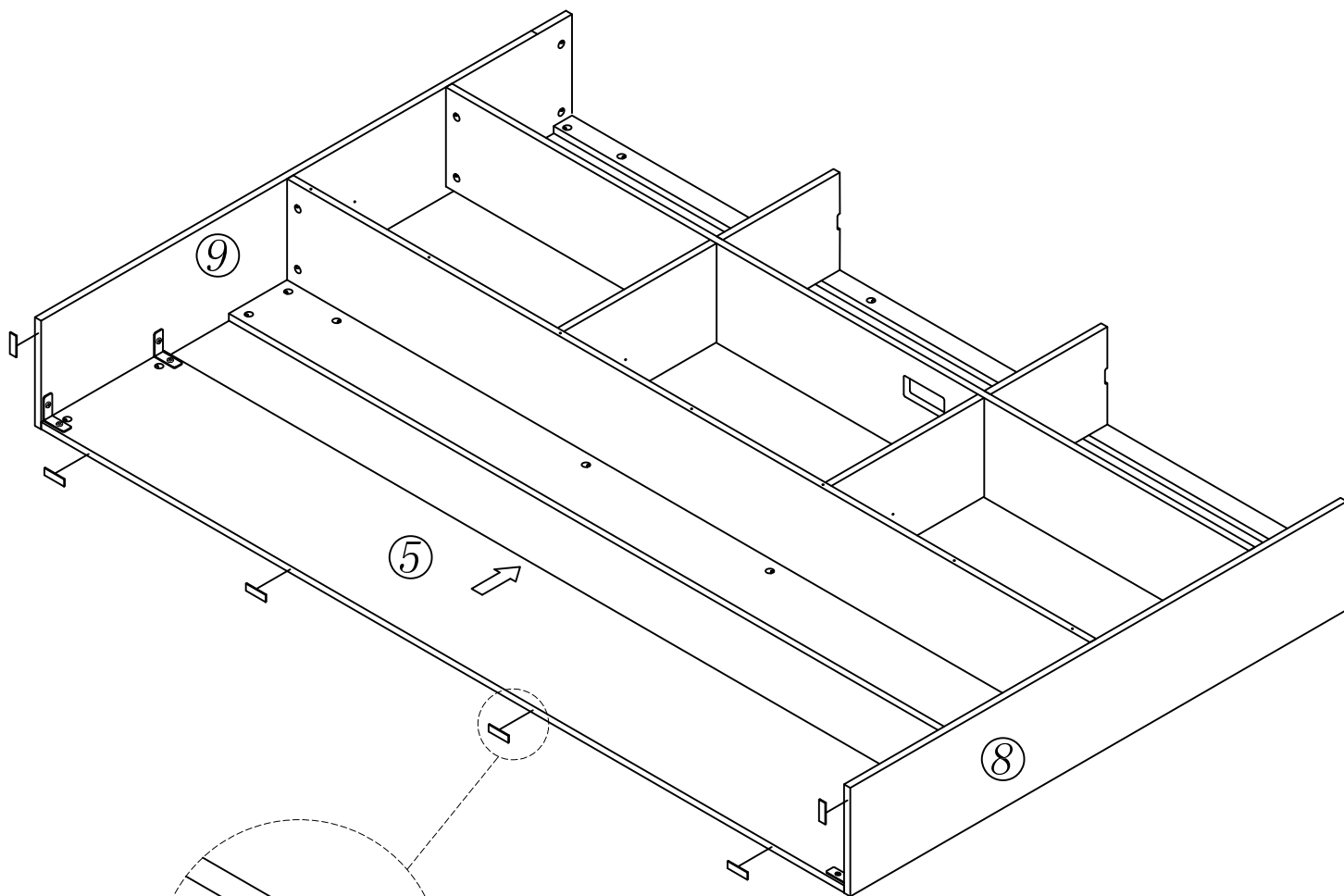
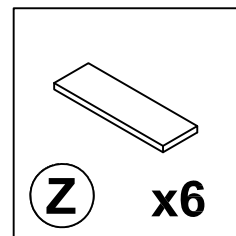


STEP 8

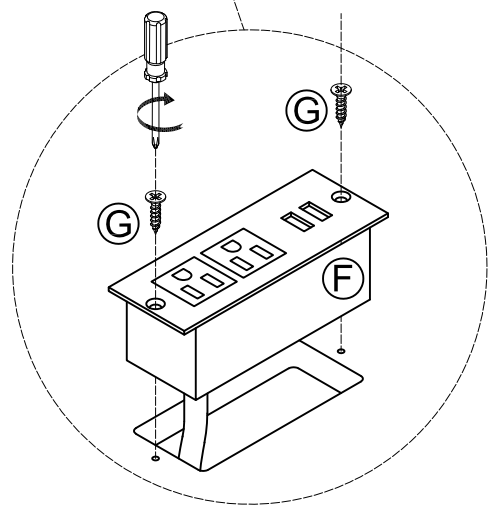
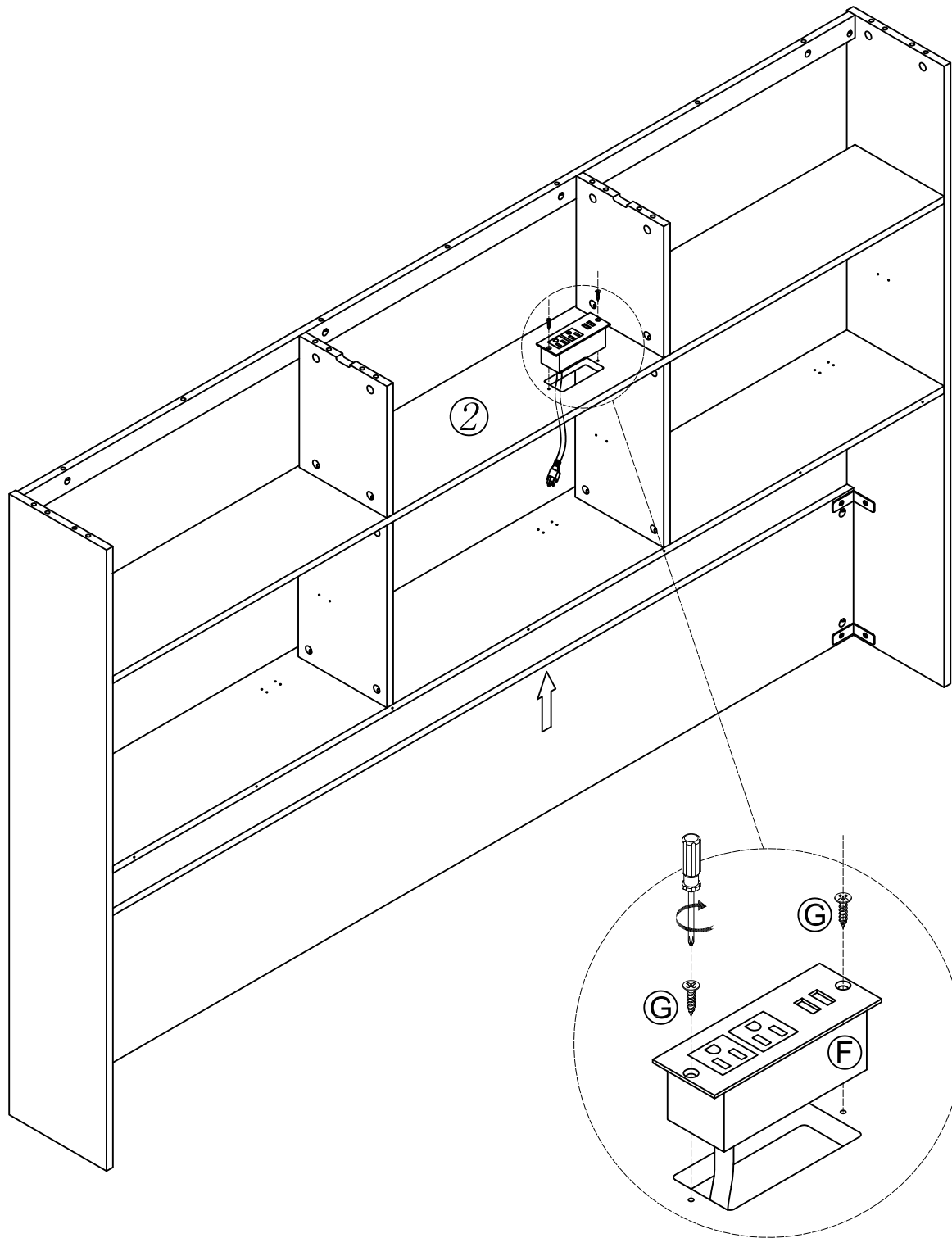
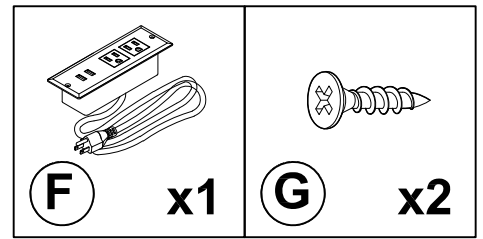
		
(R) x8	(Y) x4	(V) x1



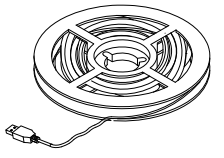
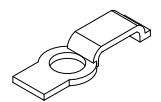


STEP 9

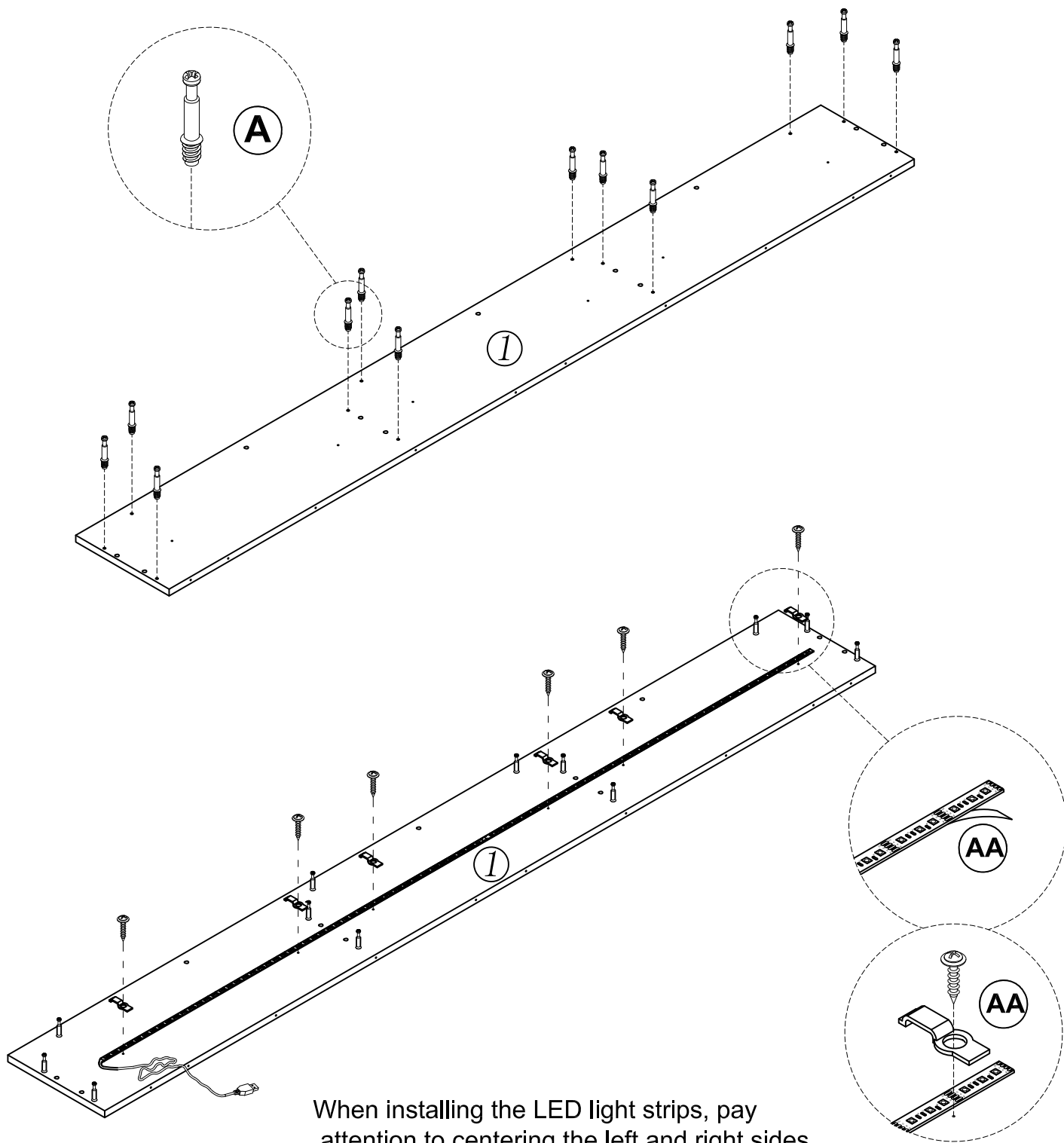


STEP 10



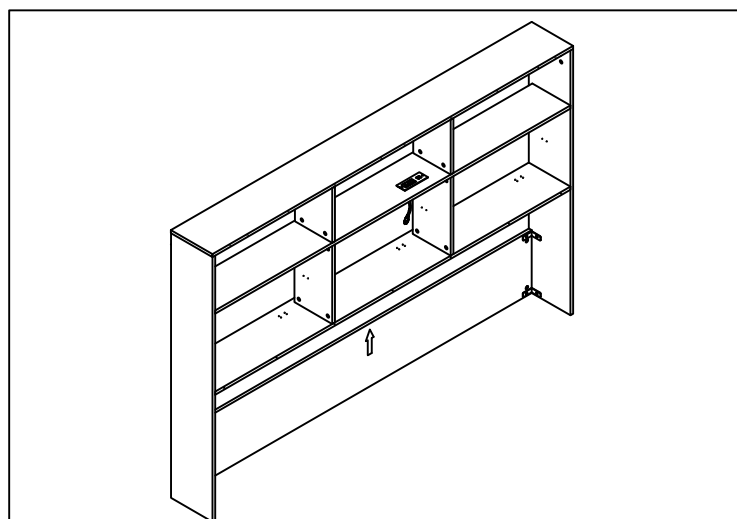
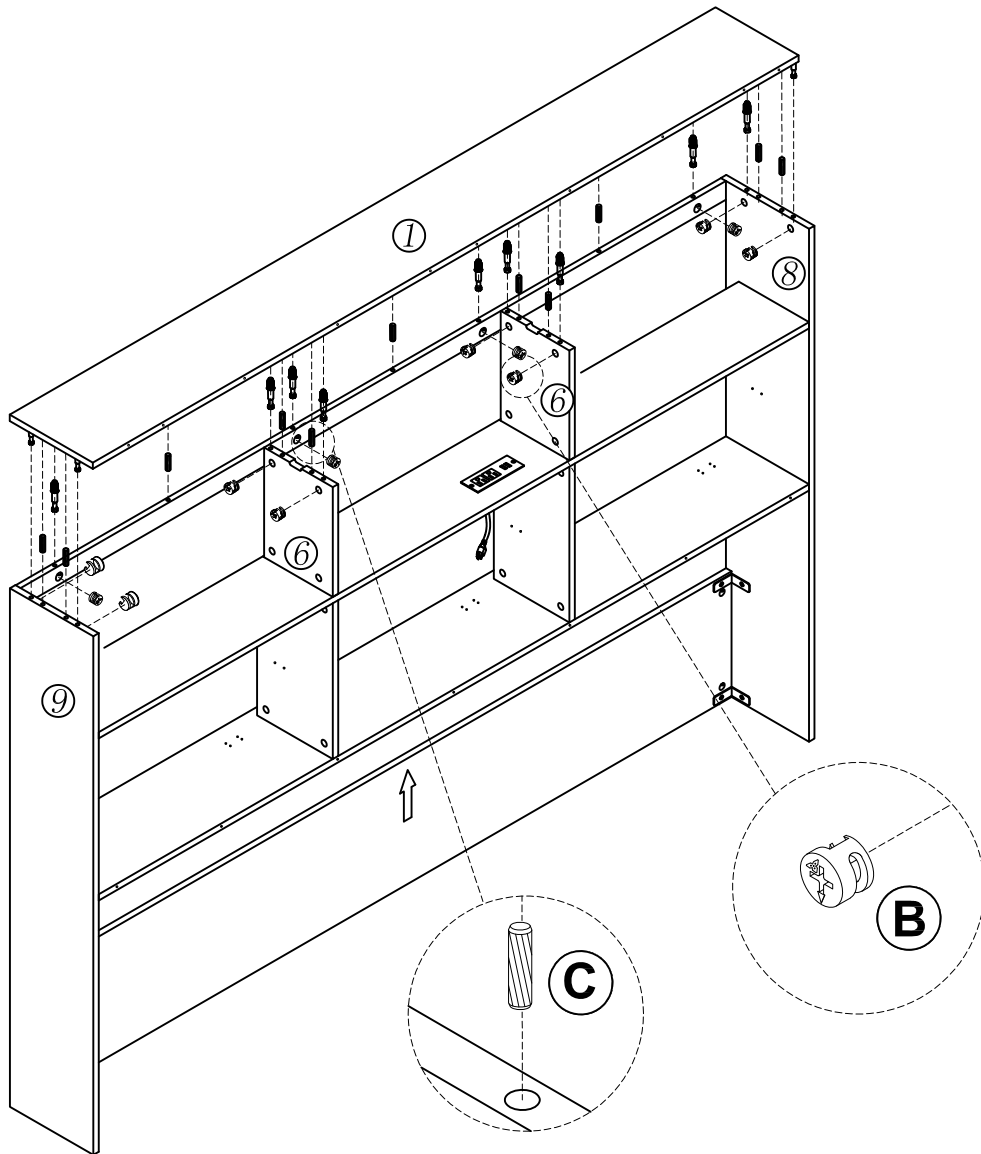
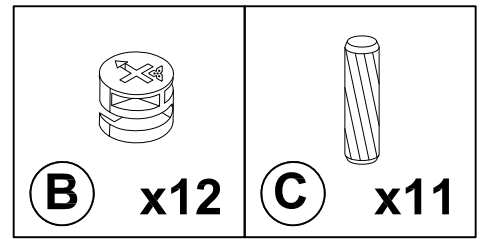
STEP 11

 1x	 6x	 x6	 (A) x12
(AA)			

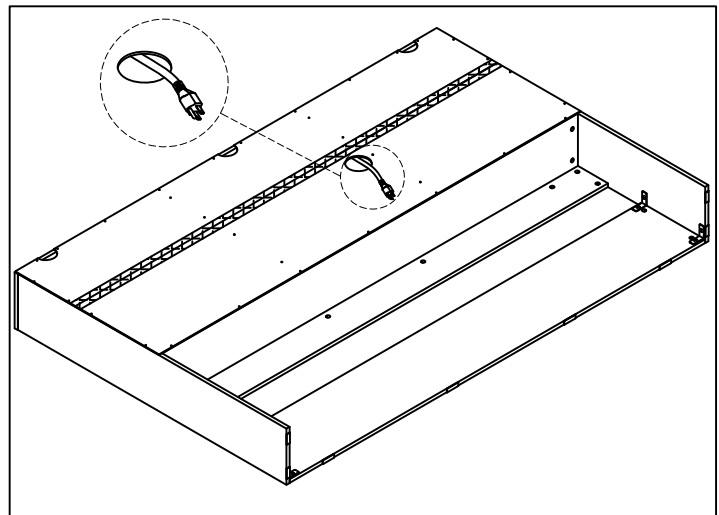
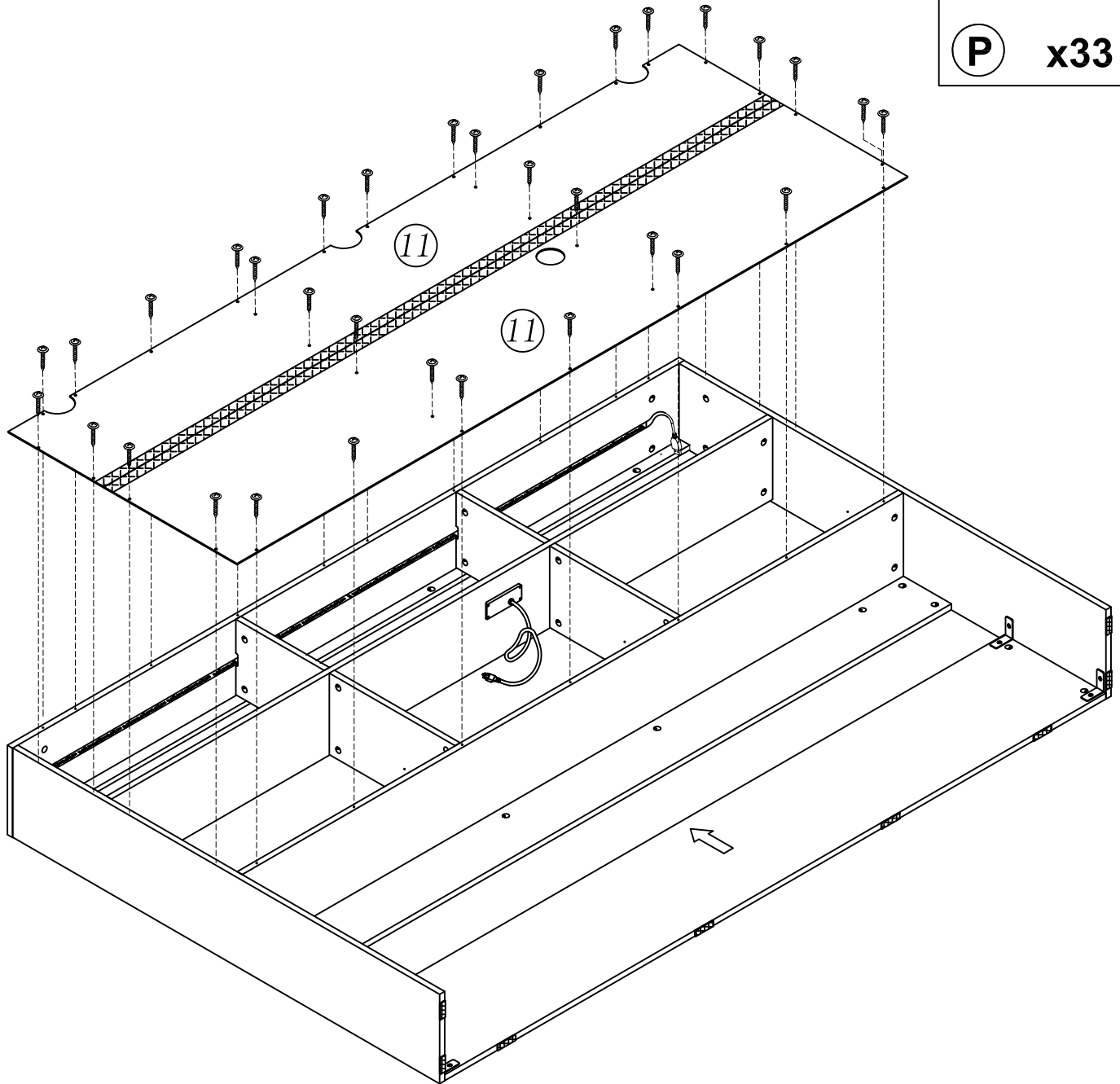
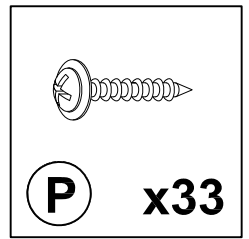


When installing the LED light strips, pay attention to centering the left and right sides

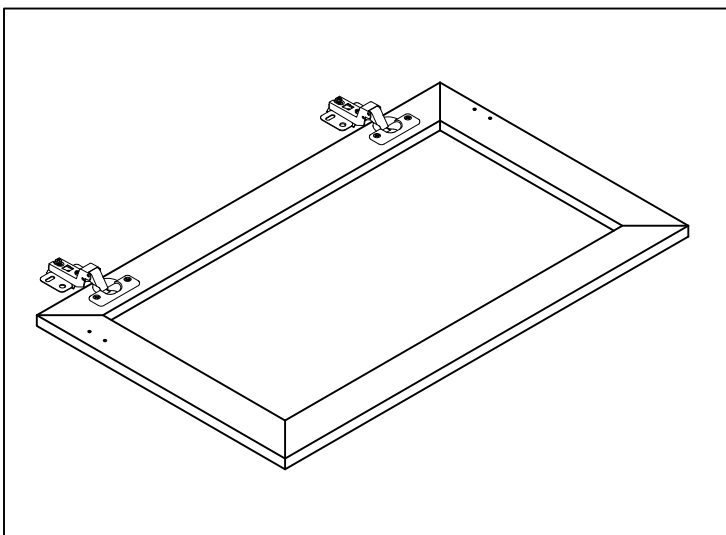
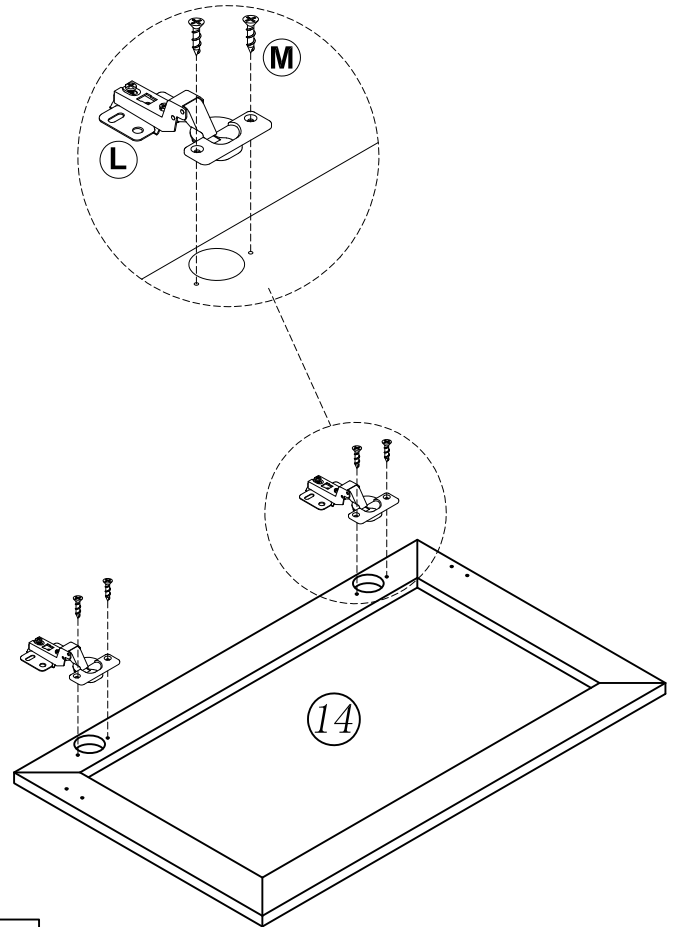
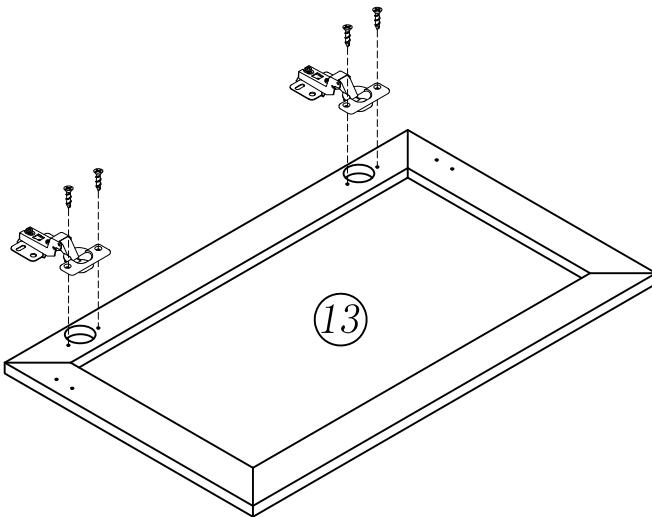
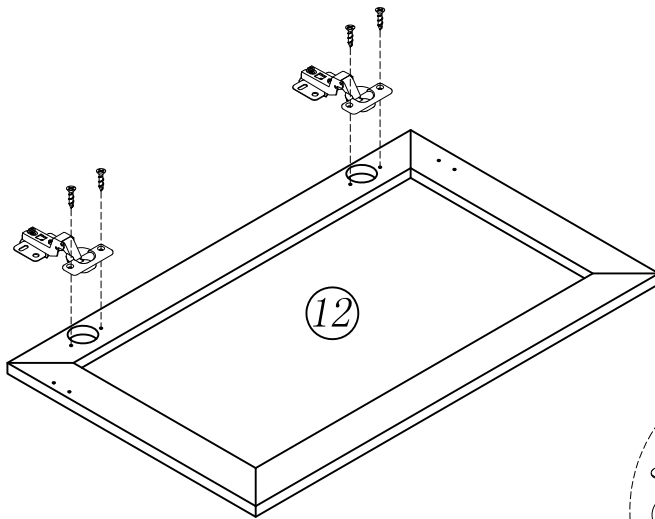
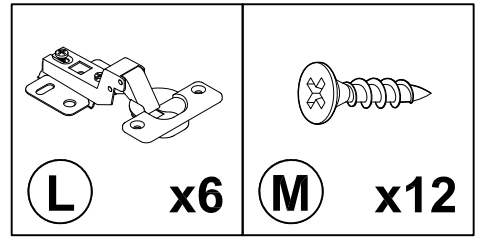
STEP 12



STEP 13



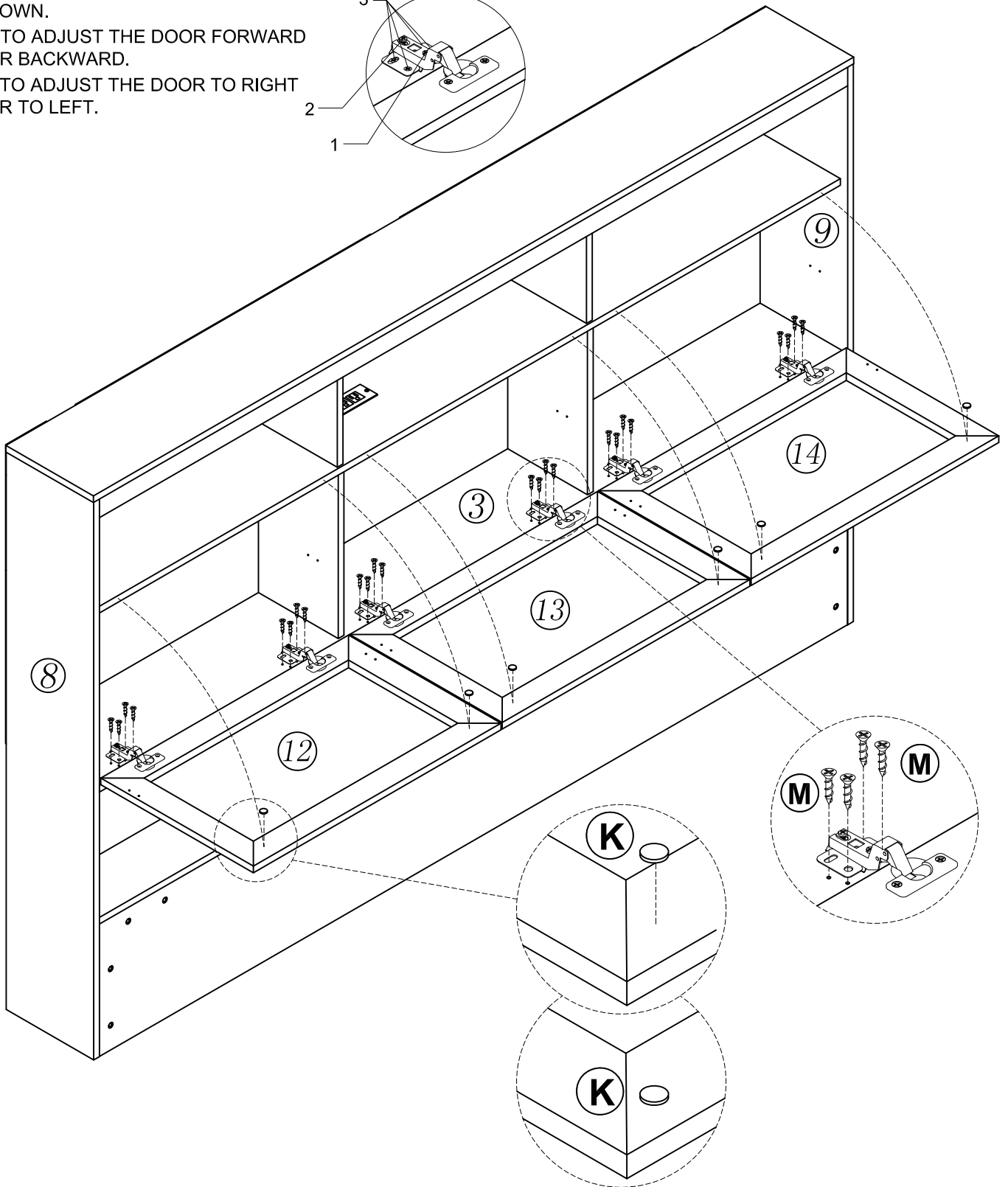
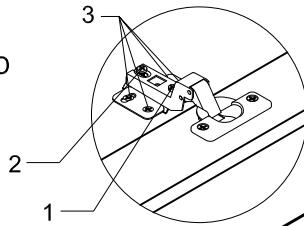
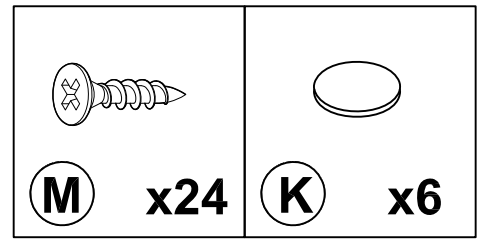
STEP 14



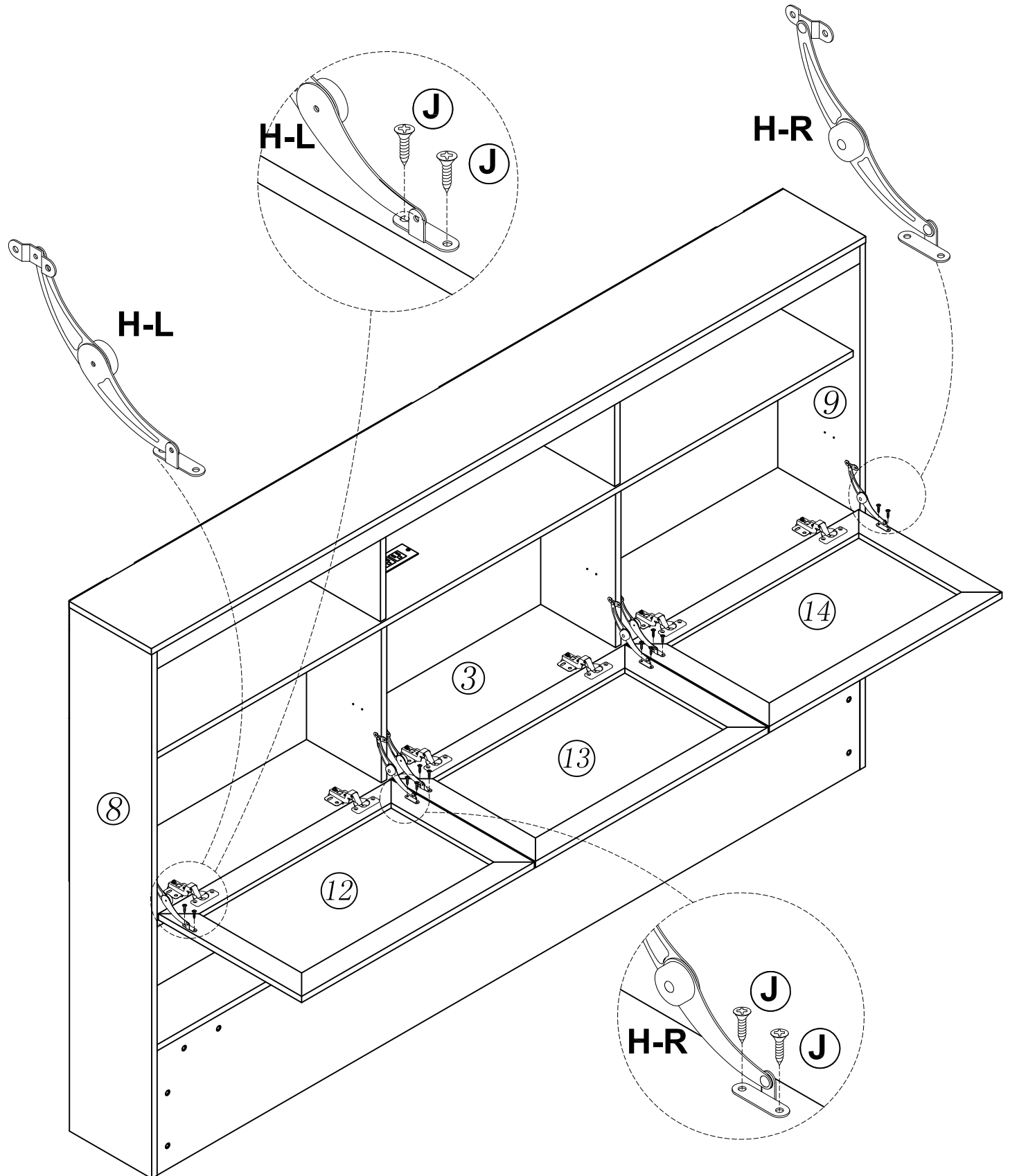
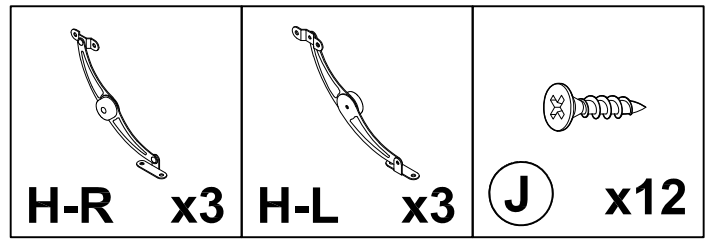
STEP 15

Three-way adjustable hinge for perfectly aligned doors

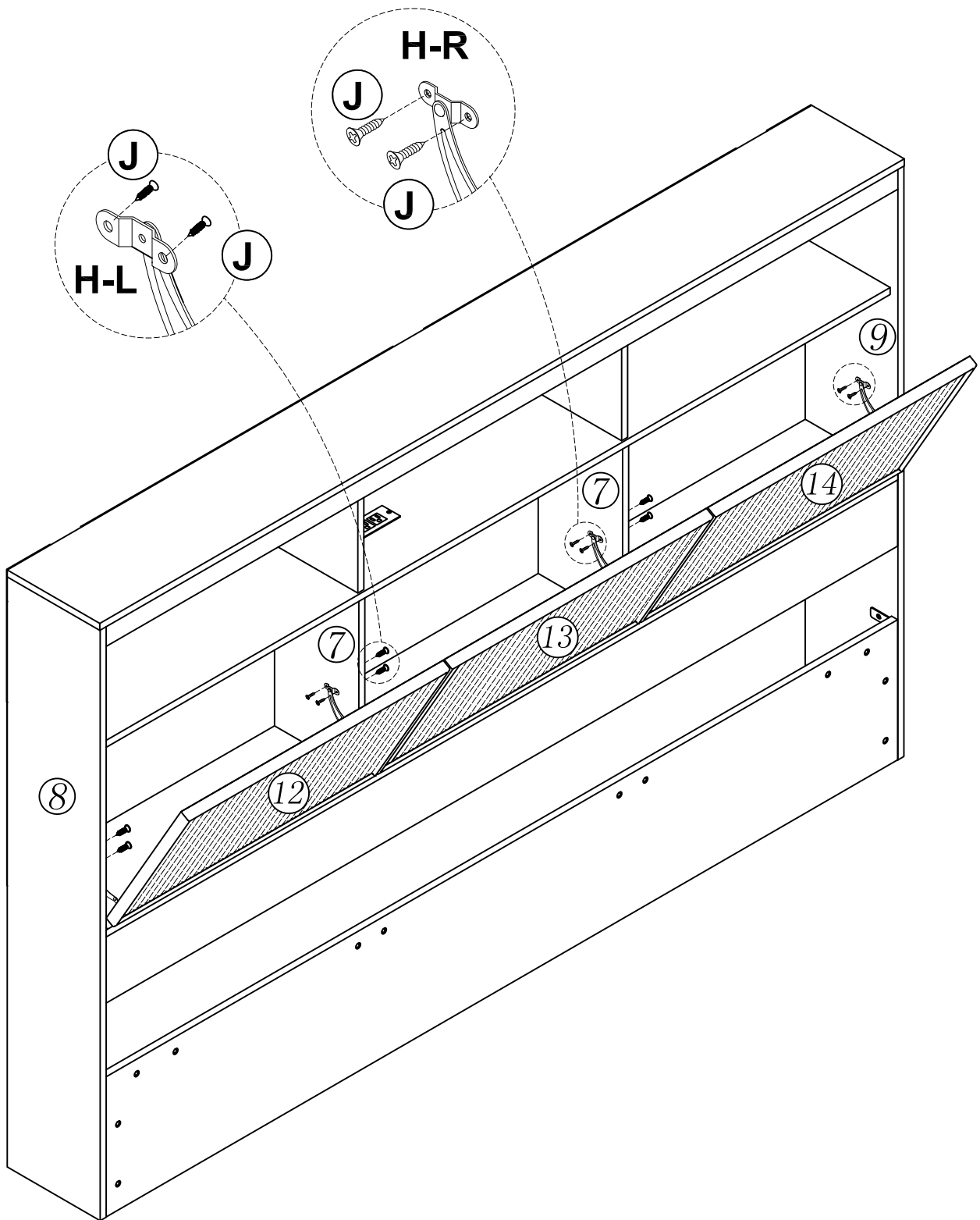
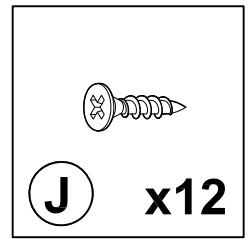
1. TO ADJUST THE DOOR UP OR DOWN.
2. TO ADJUST THE DOOR FORWARD OR BACKWARD.
3. TO ADJUST THE DOOR TO RIGHT OR TO LEFT.



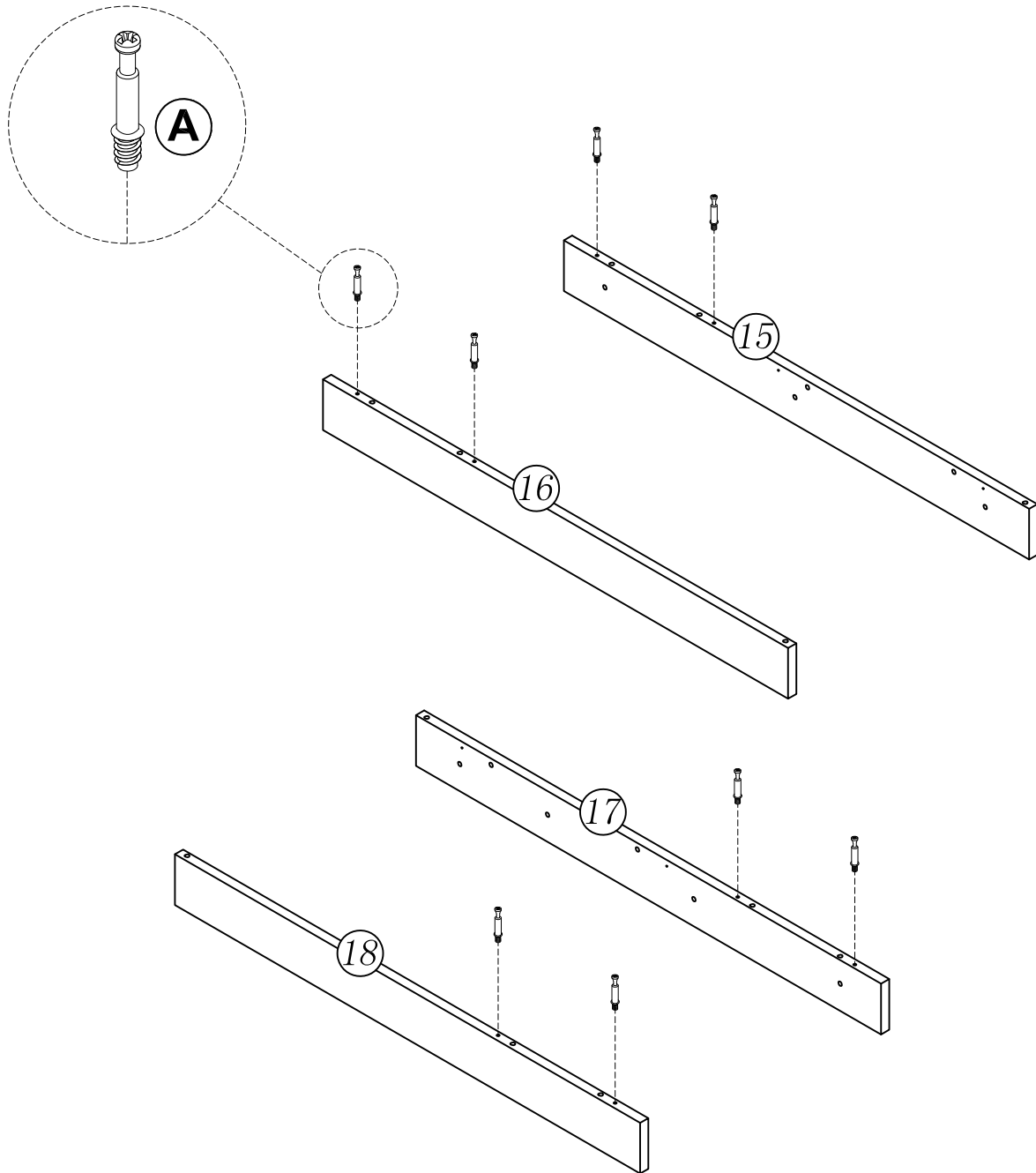
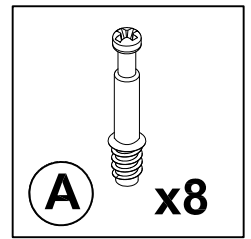
STEP 16



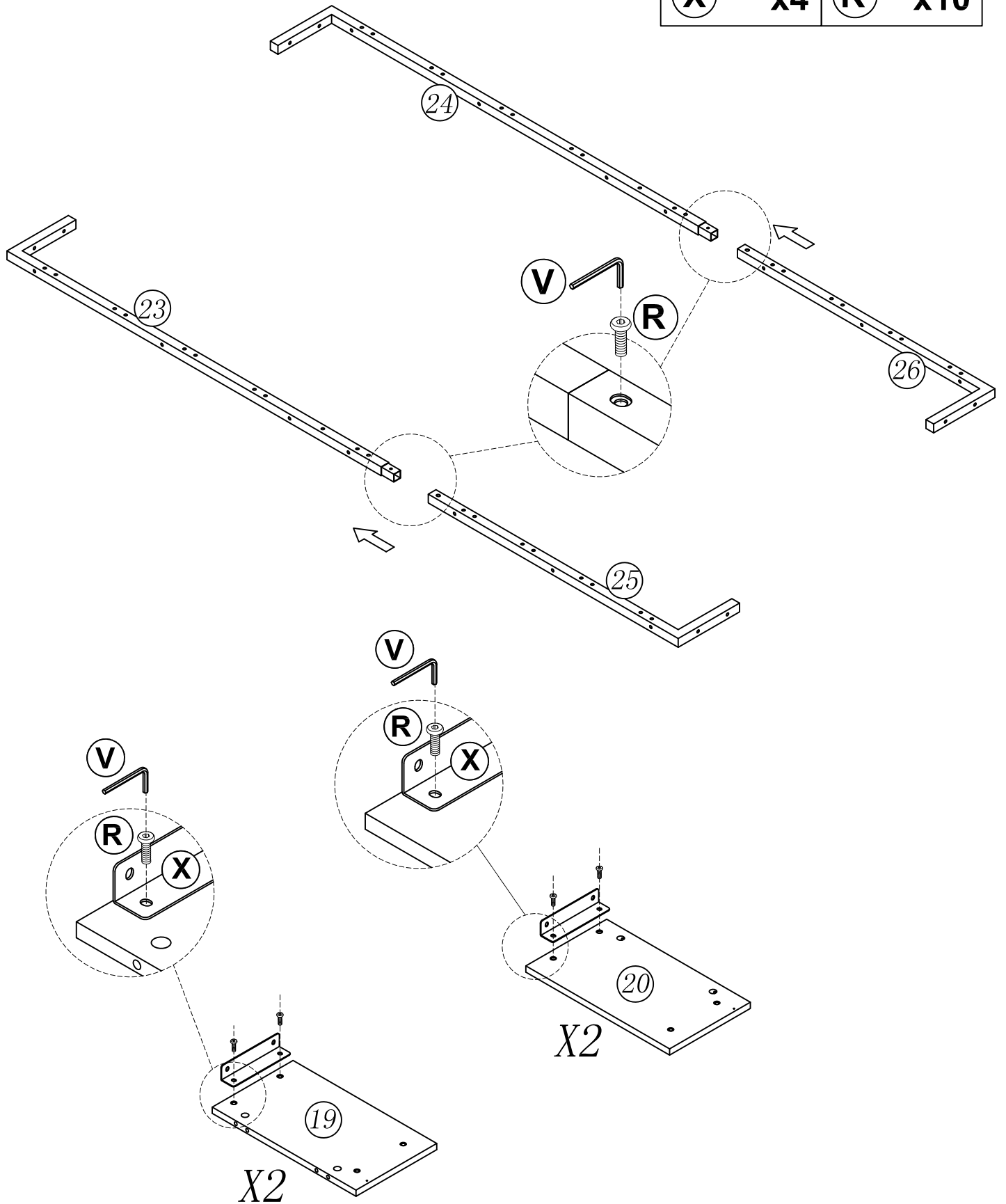
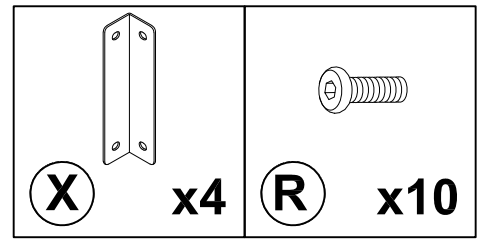
STEP 17



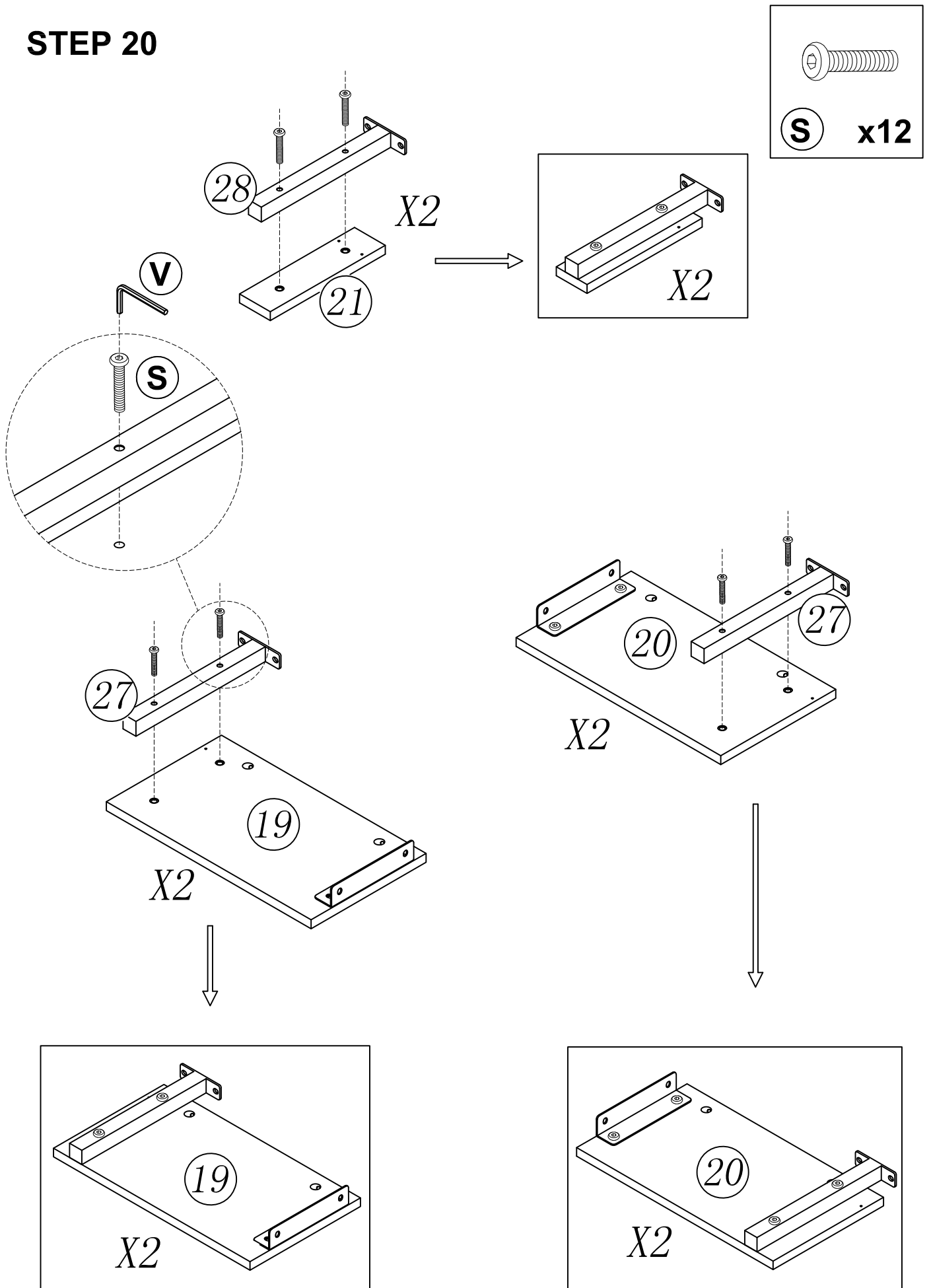
STEP 18



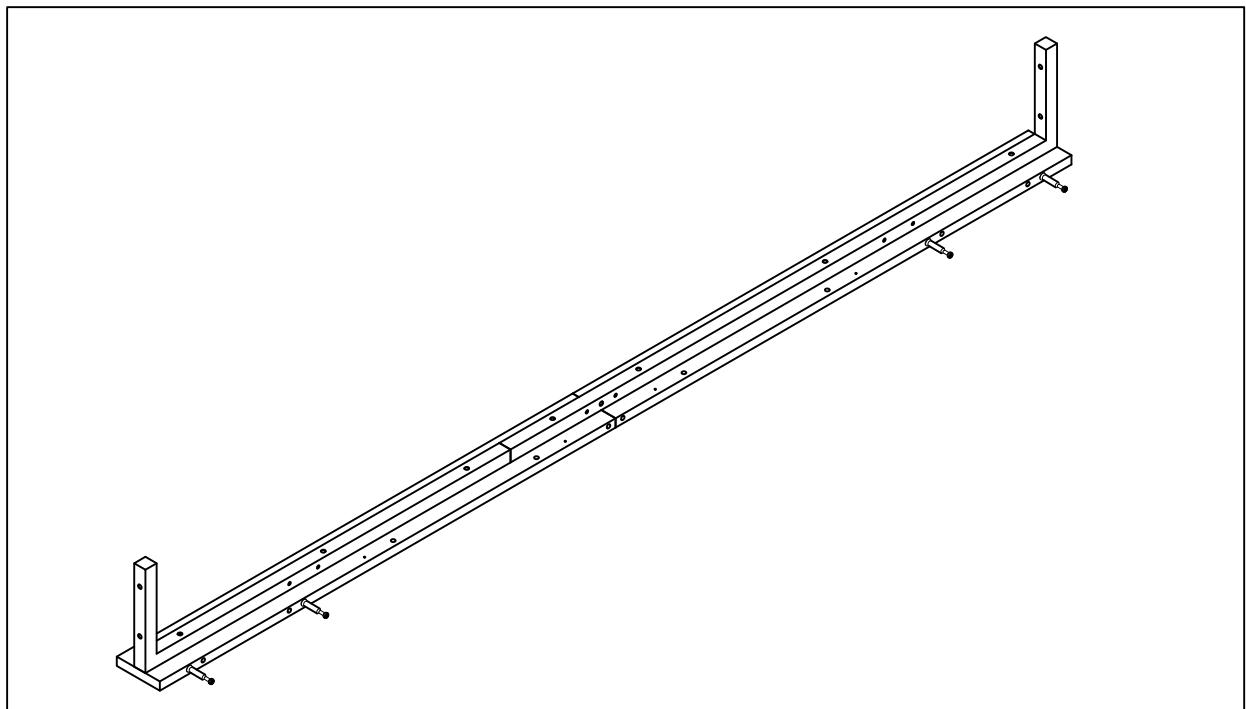
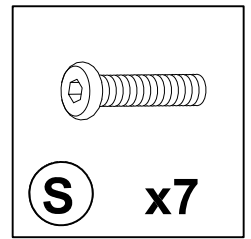
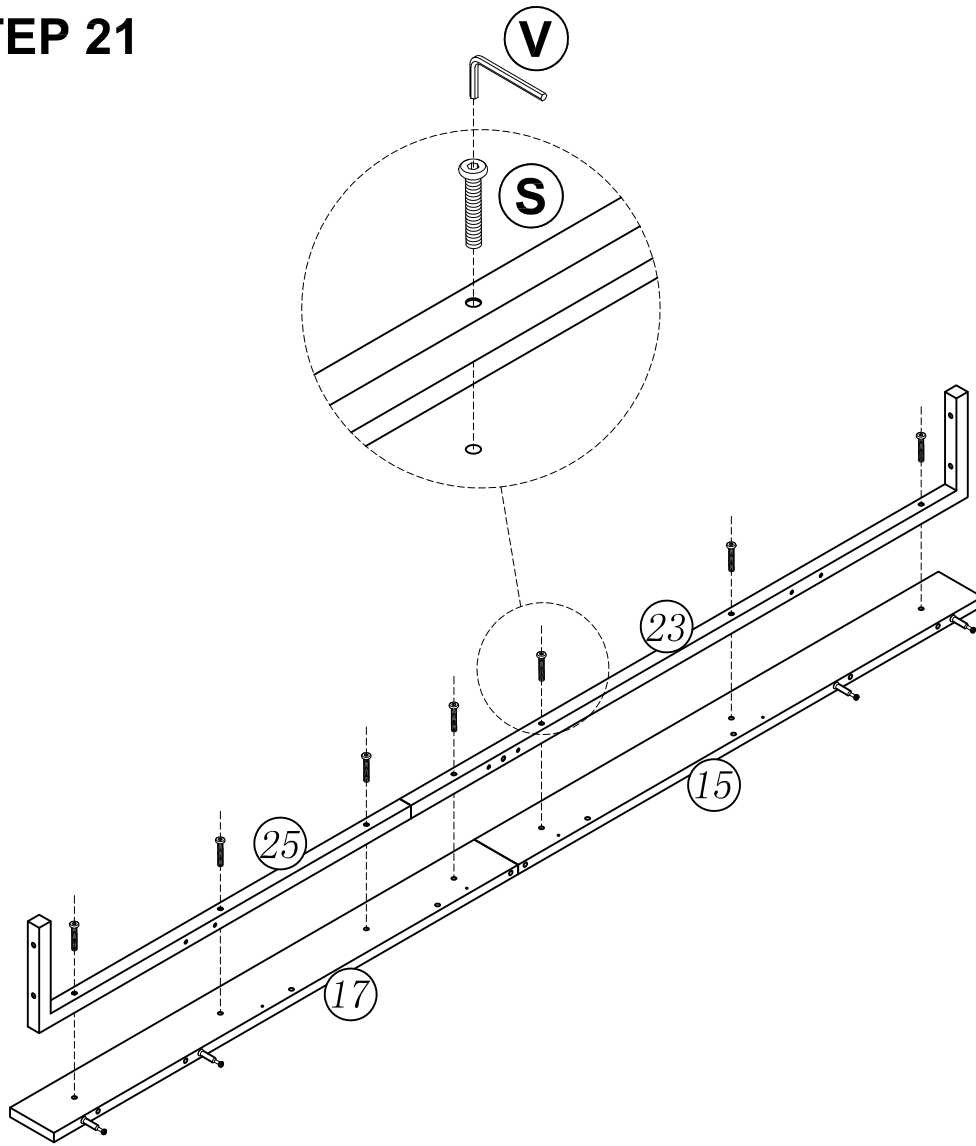
STEP 19



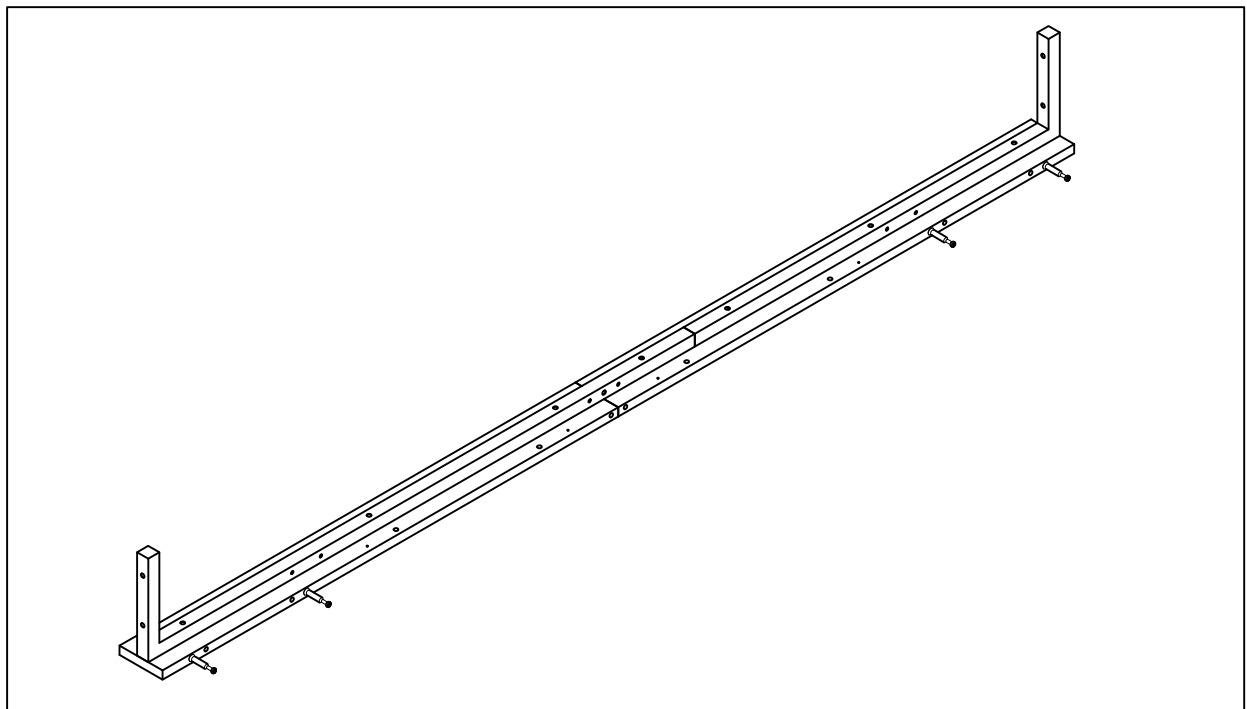
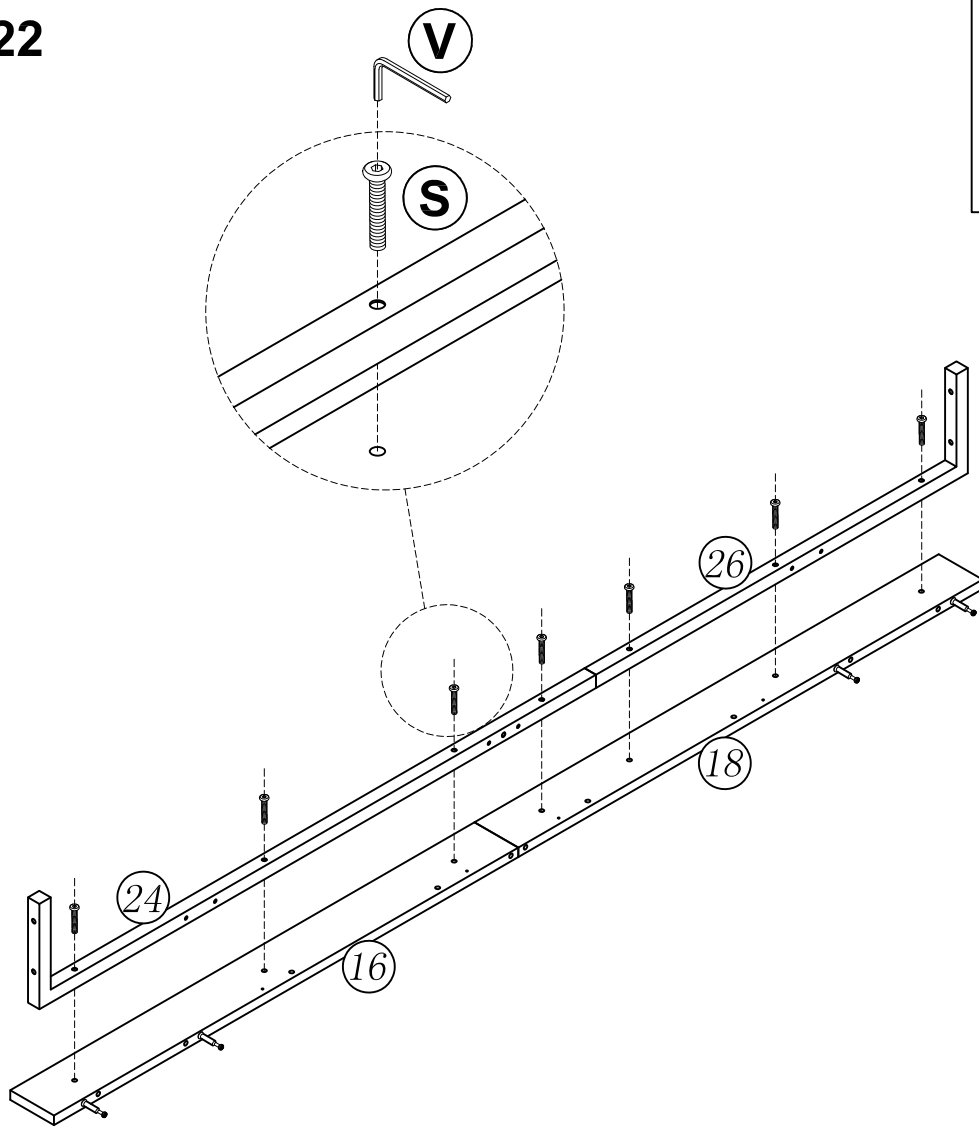
STEP 20



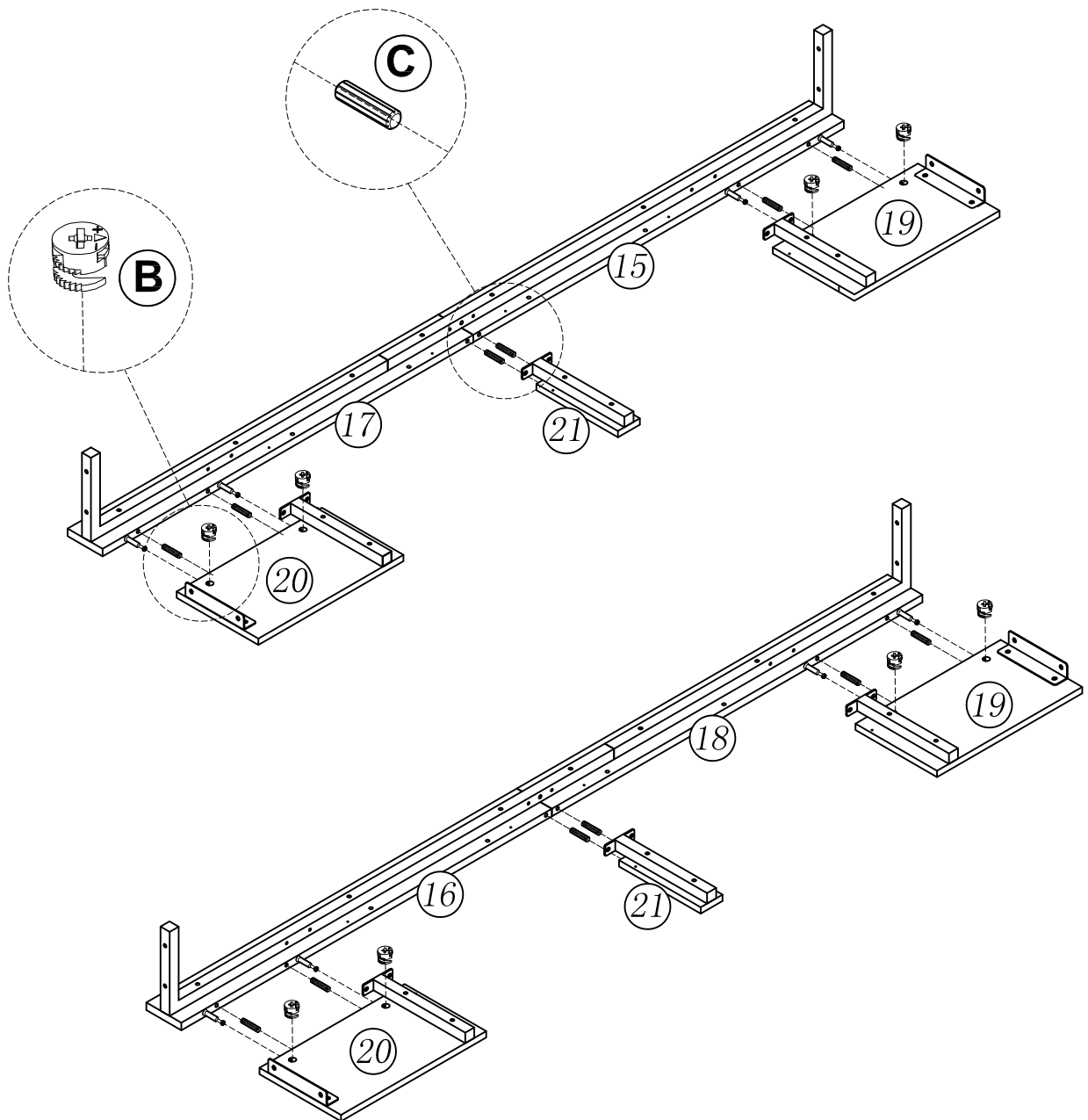
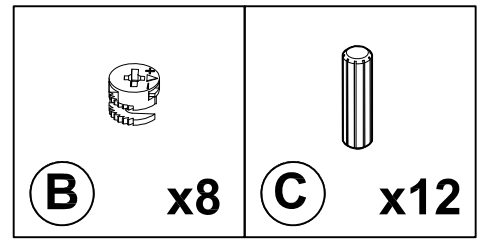
STEP 21



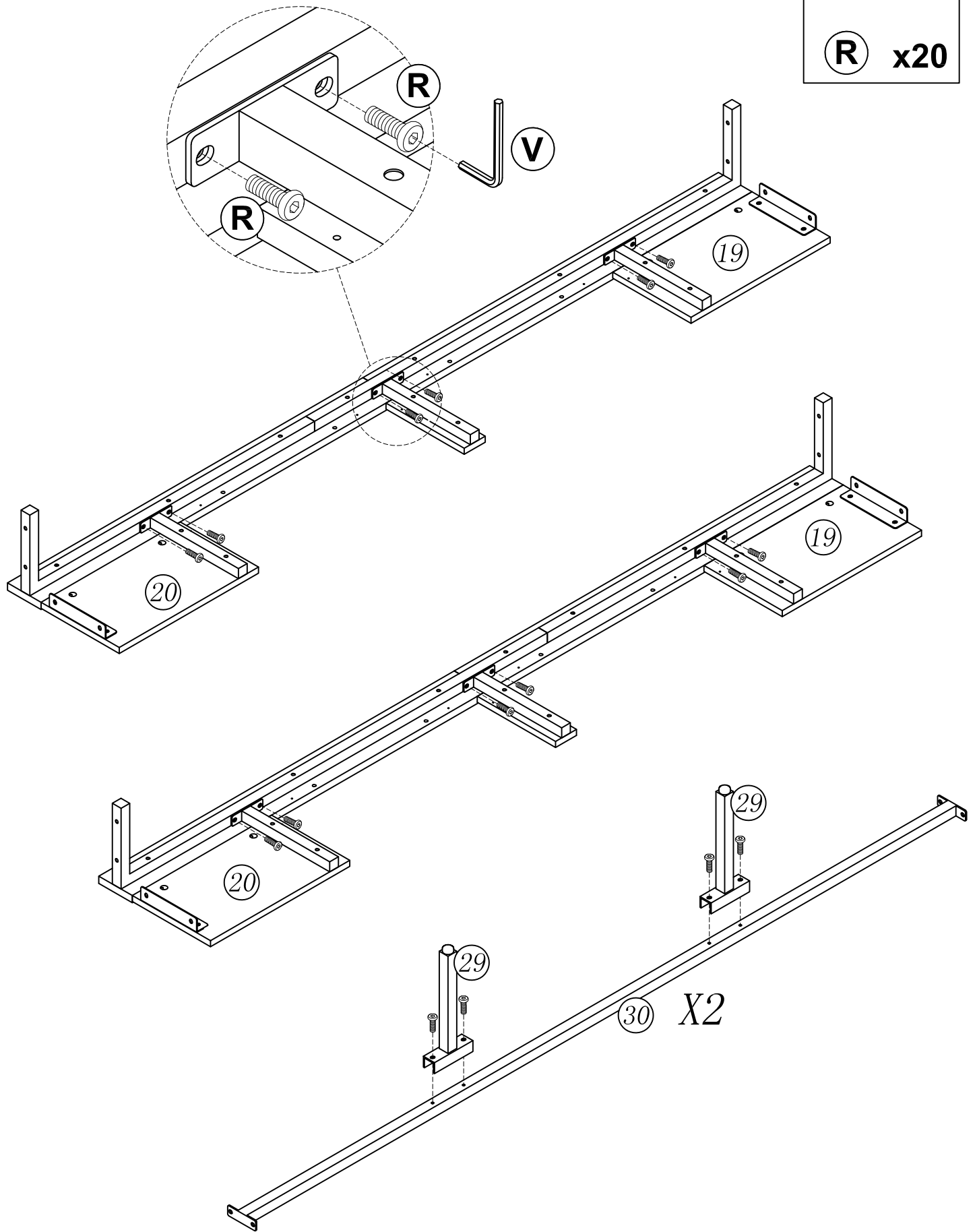
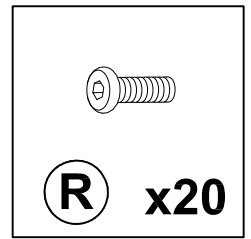
STEP 22



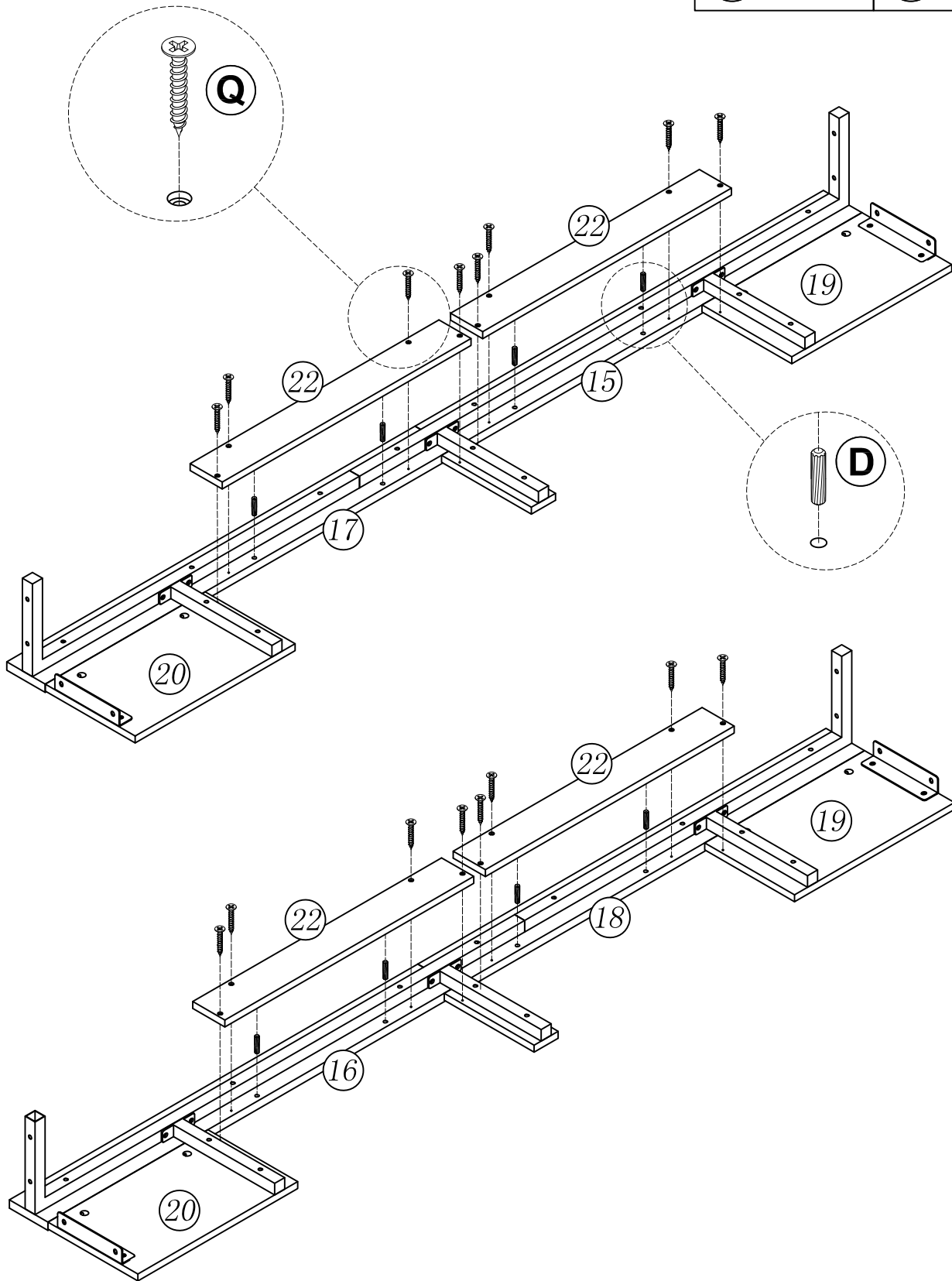
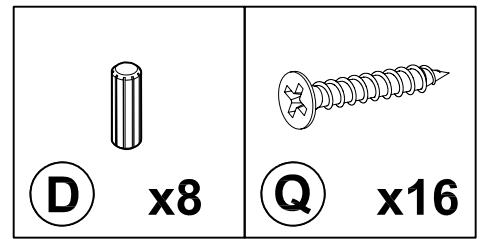
STEP 23



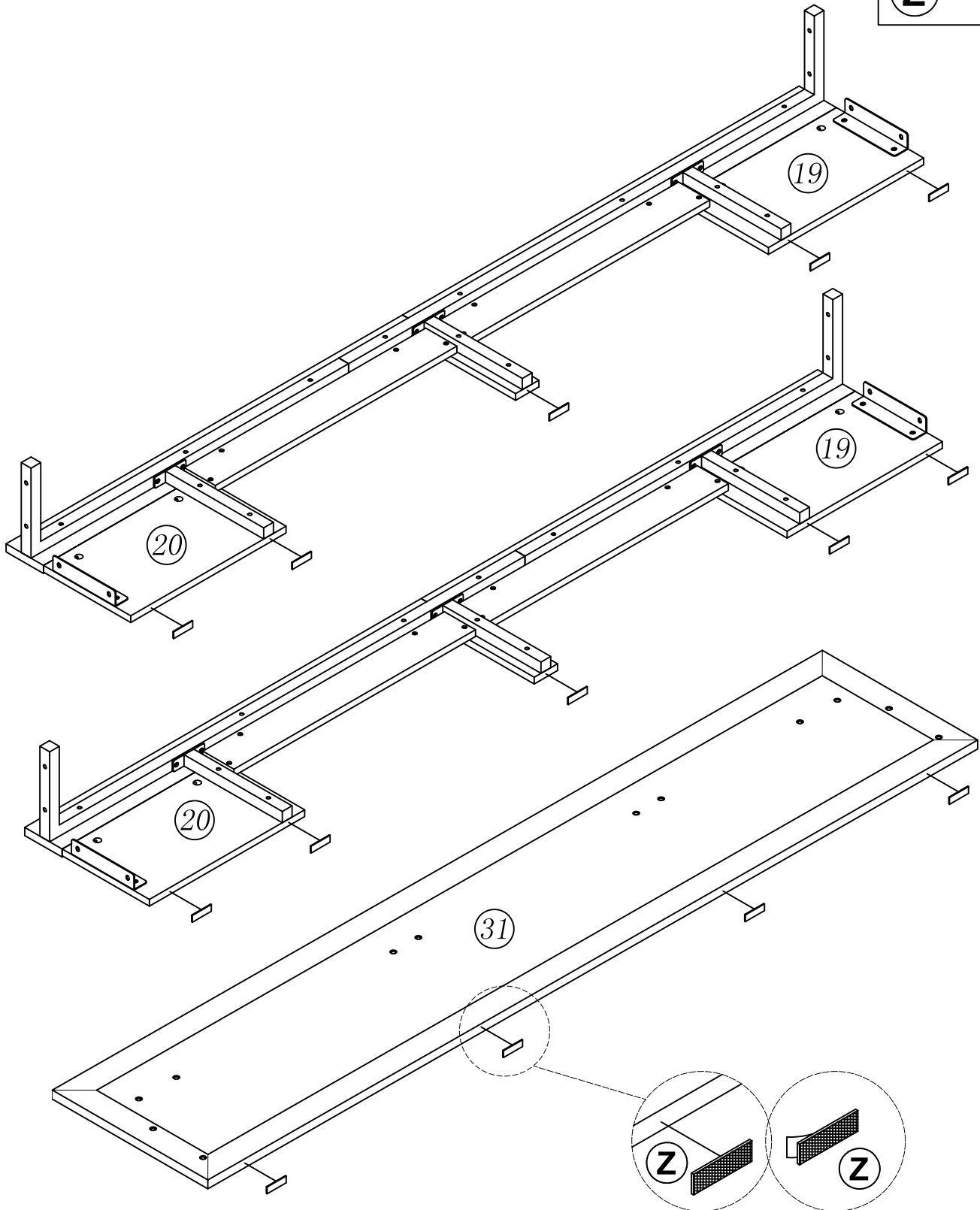
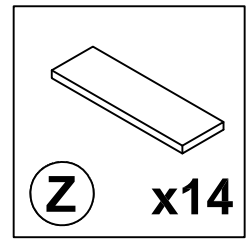
STEP 24



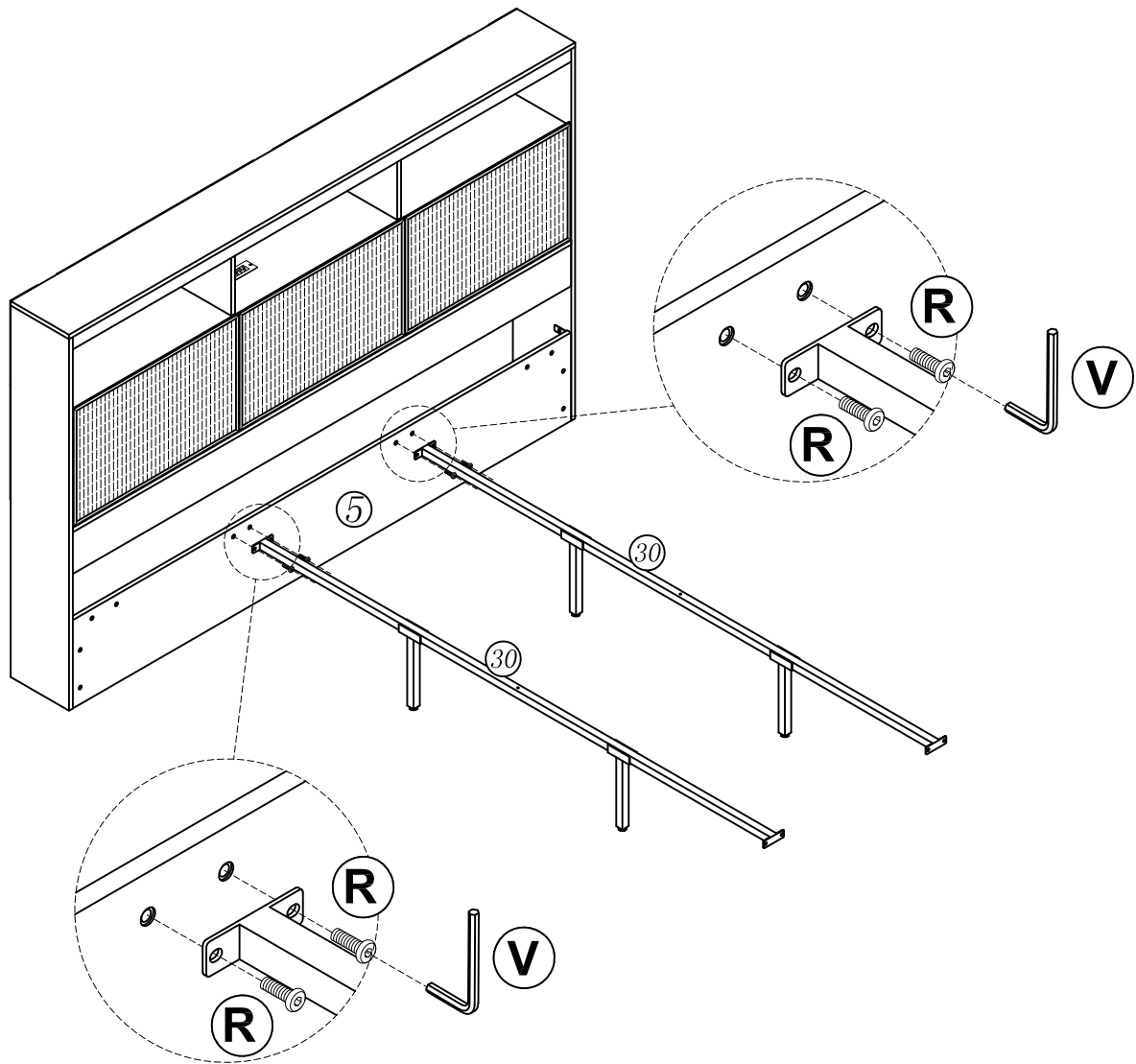
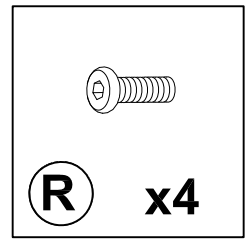
STEP 25



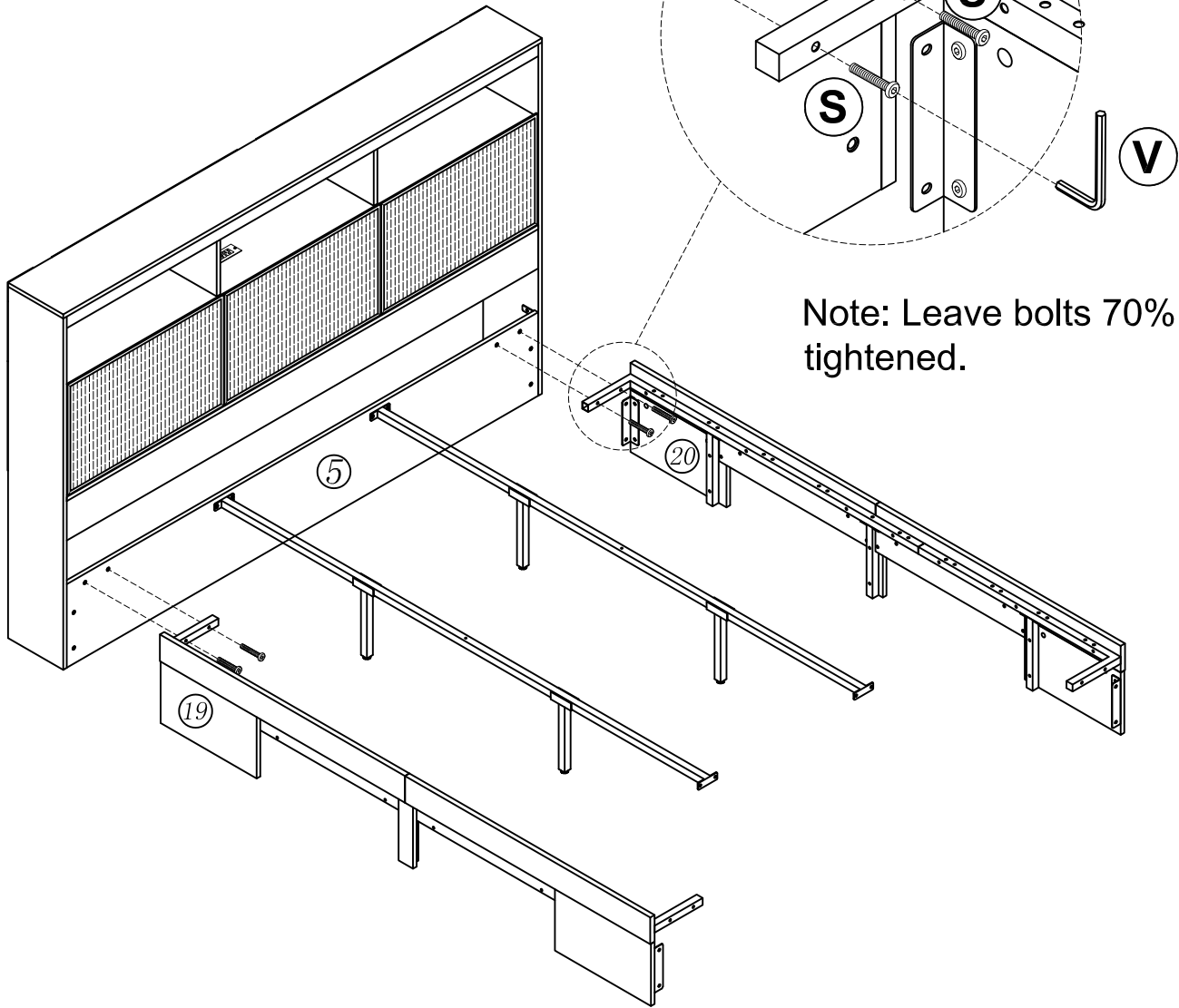
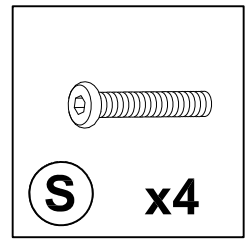
STEP 26



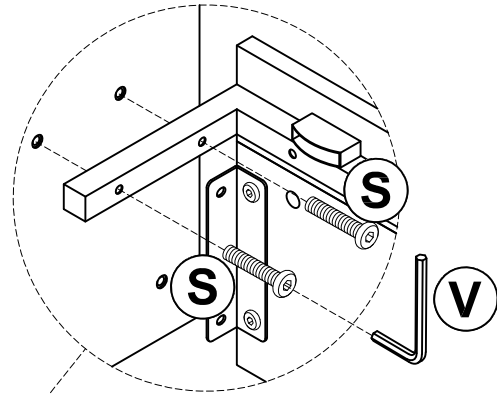
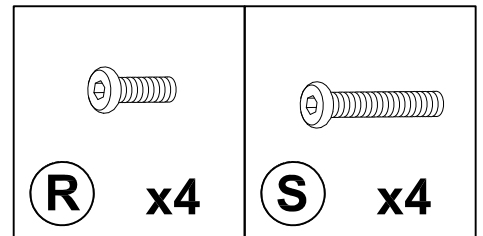
STEP 27



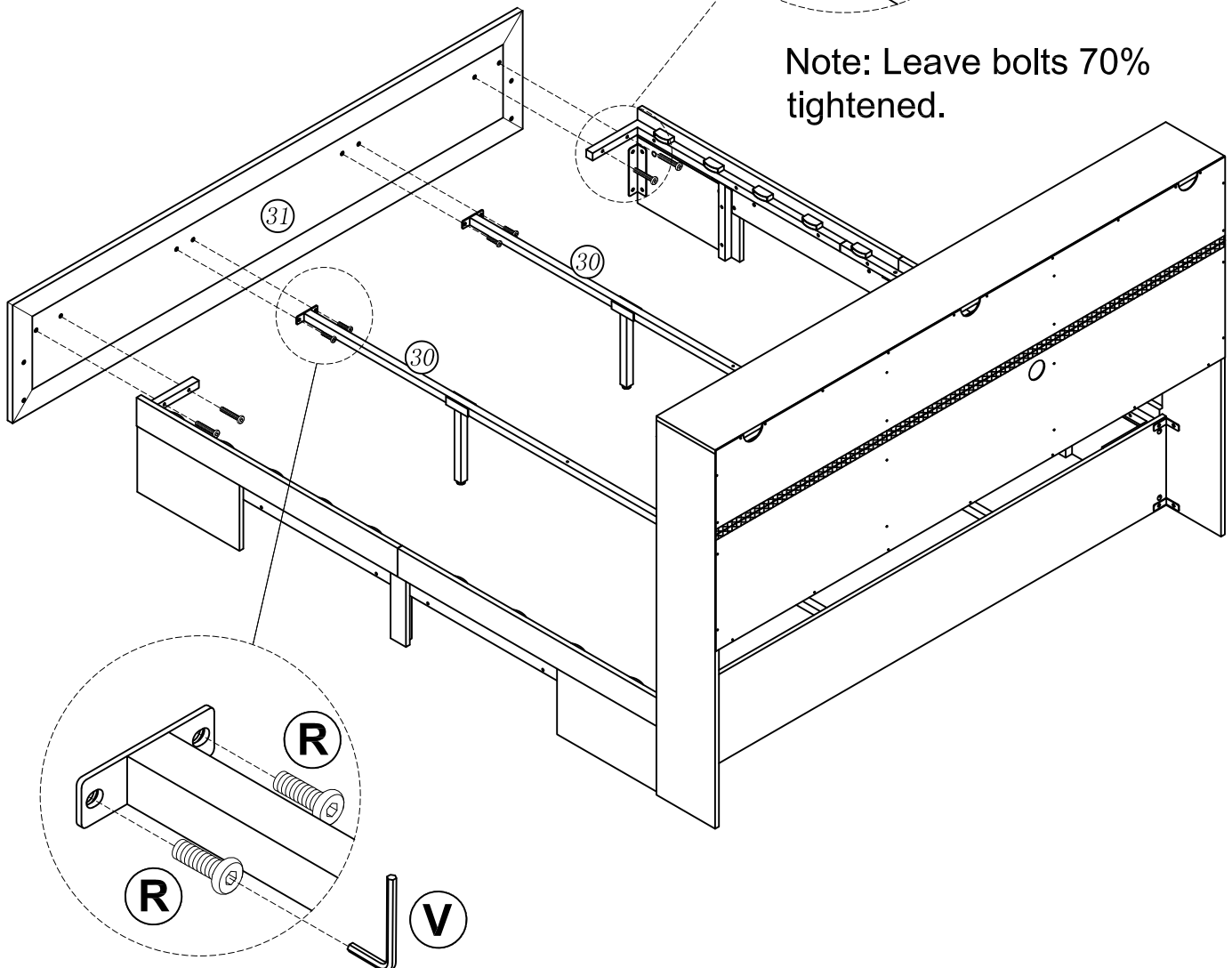
STEP 28



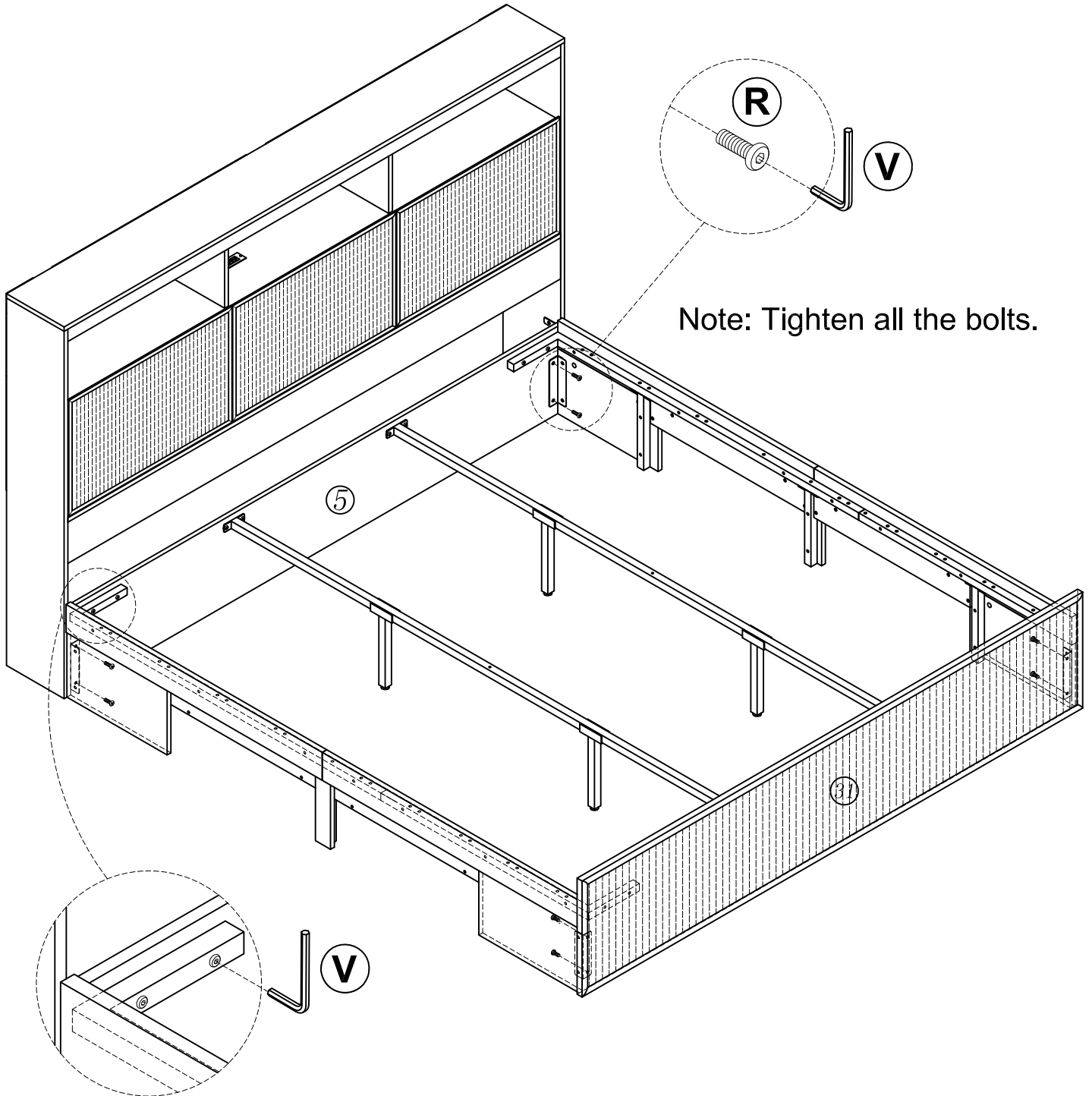
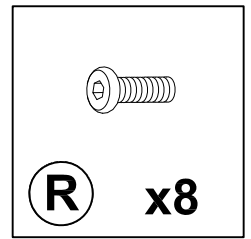
STEP 29



Note: Leave bolts 70% tightened.

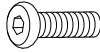
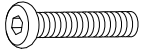


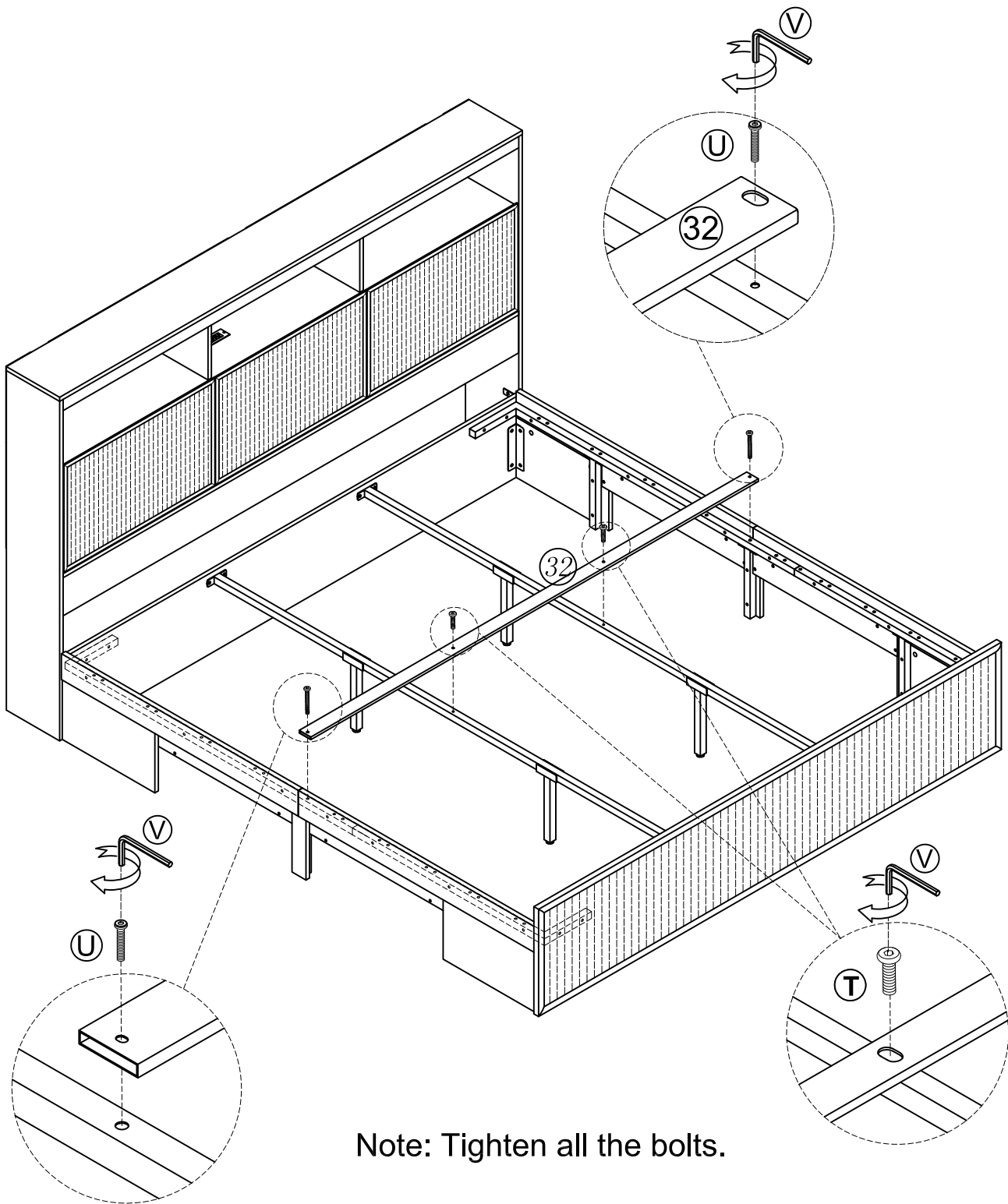
STEP 30



Note: Tighten all the bolts.

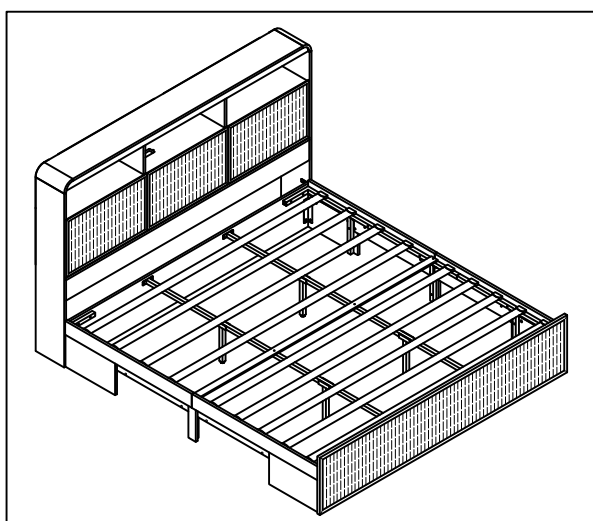
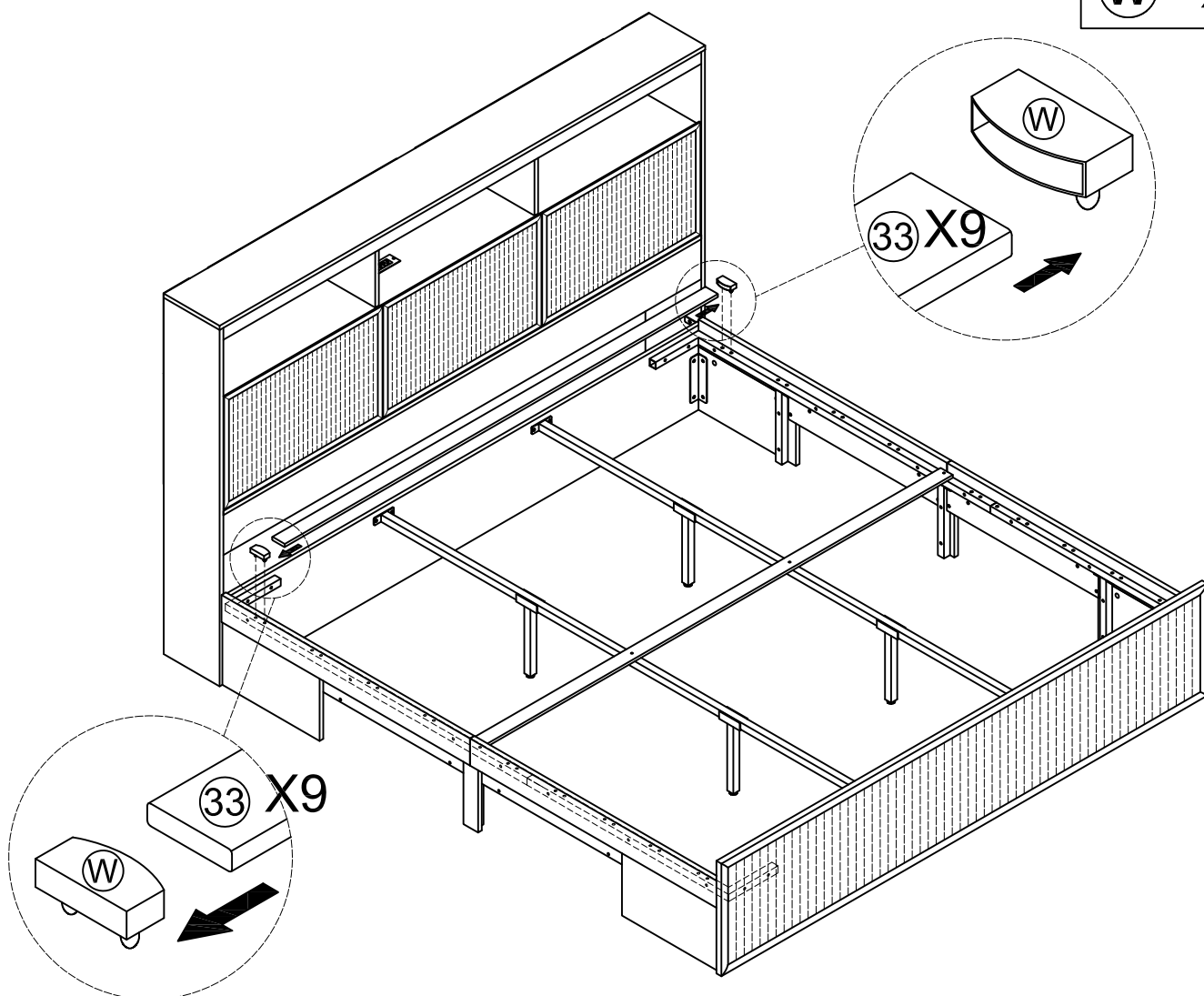
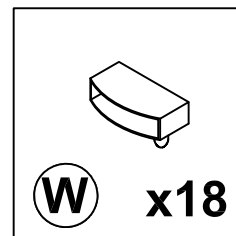
STEP 31

	
T x2	U x2

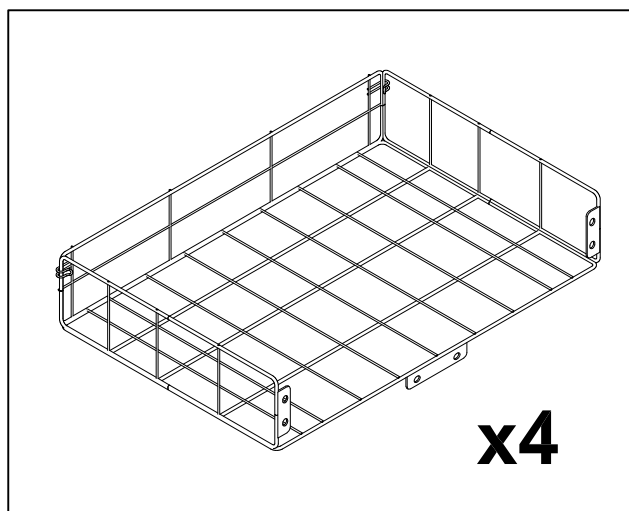
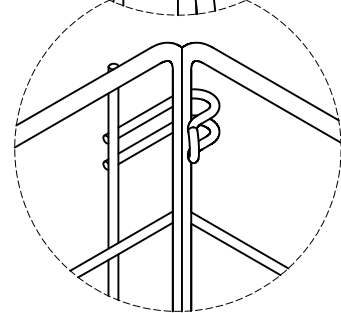
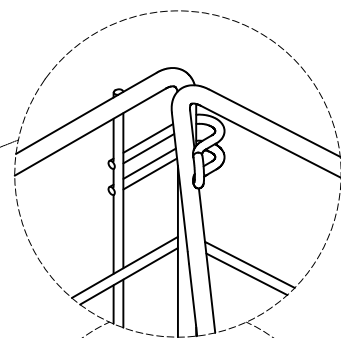
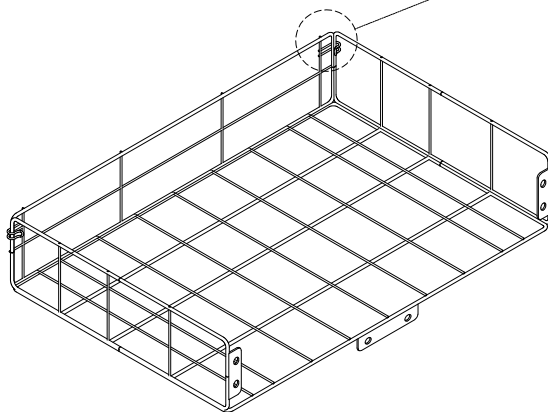
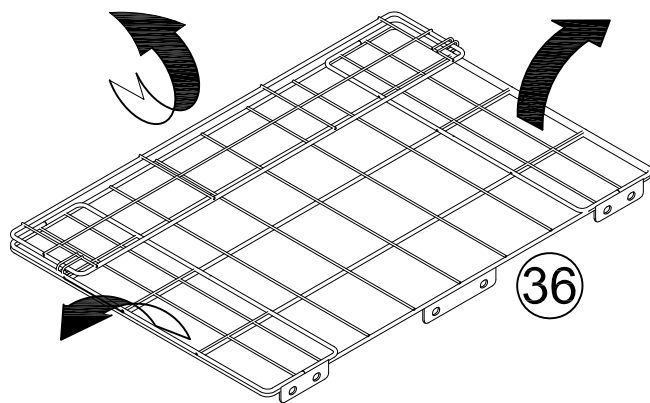


Note: Tighten all the bolts.

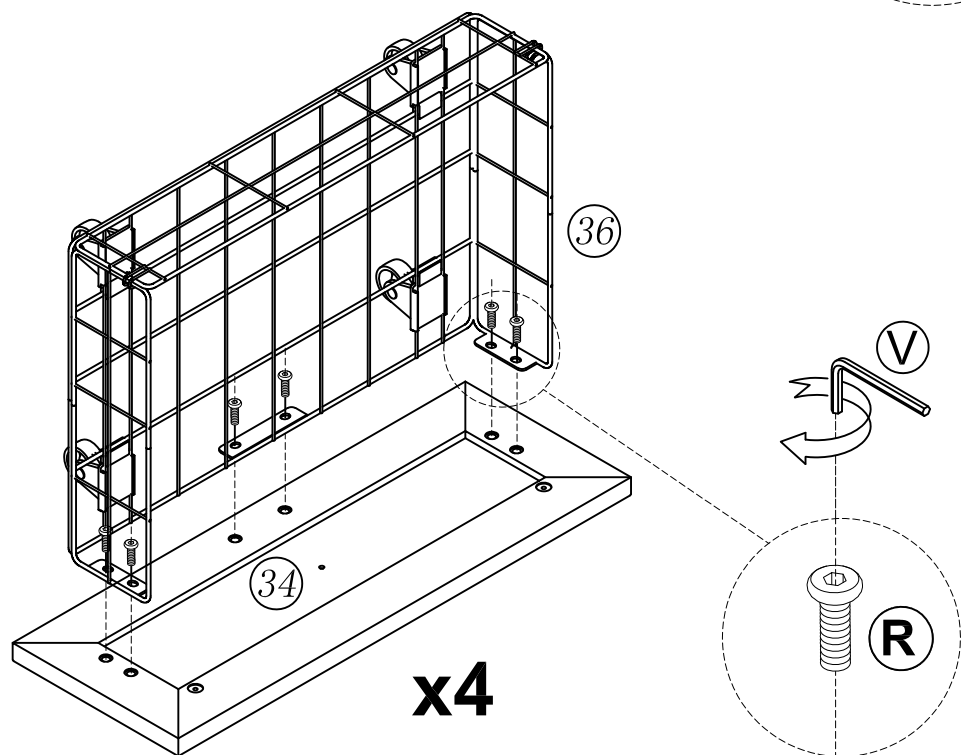
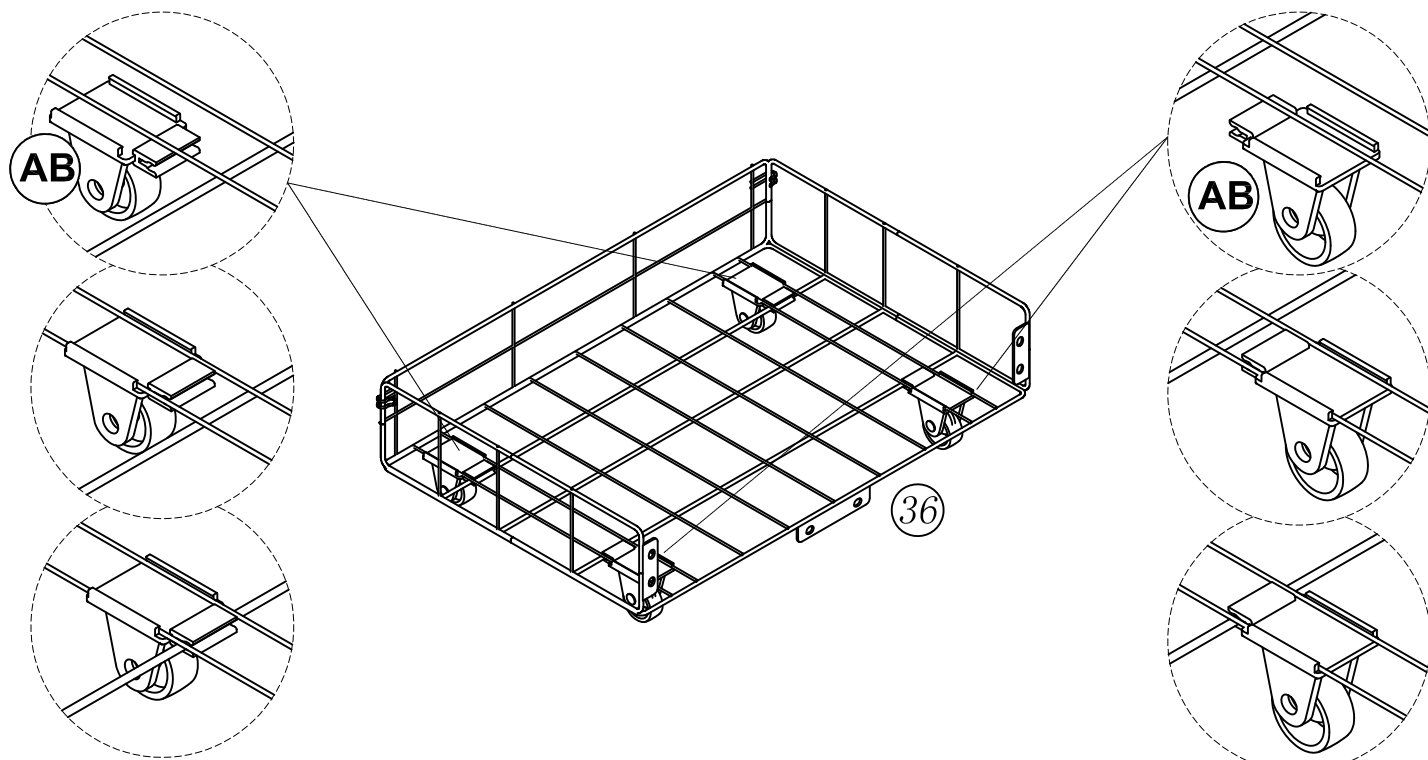
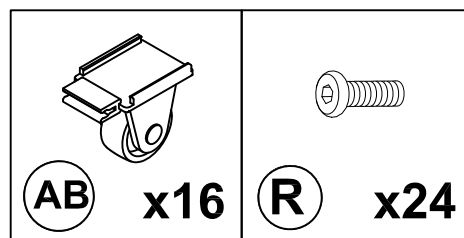
STEP 32



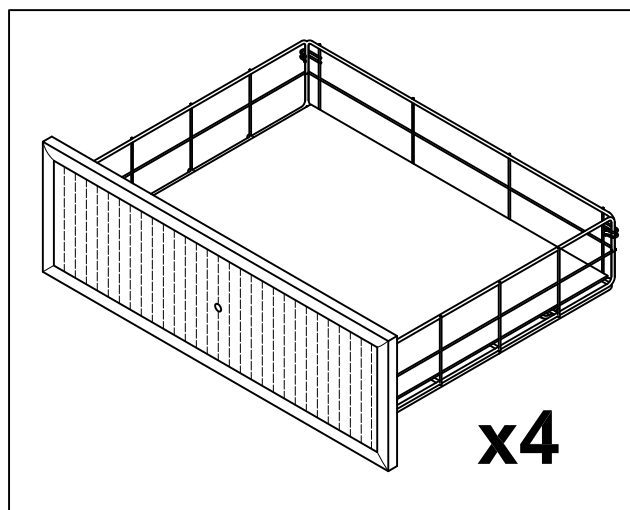
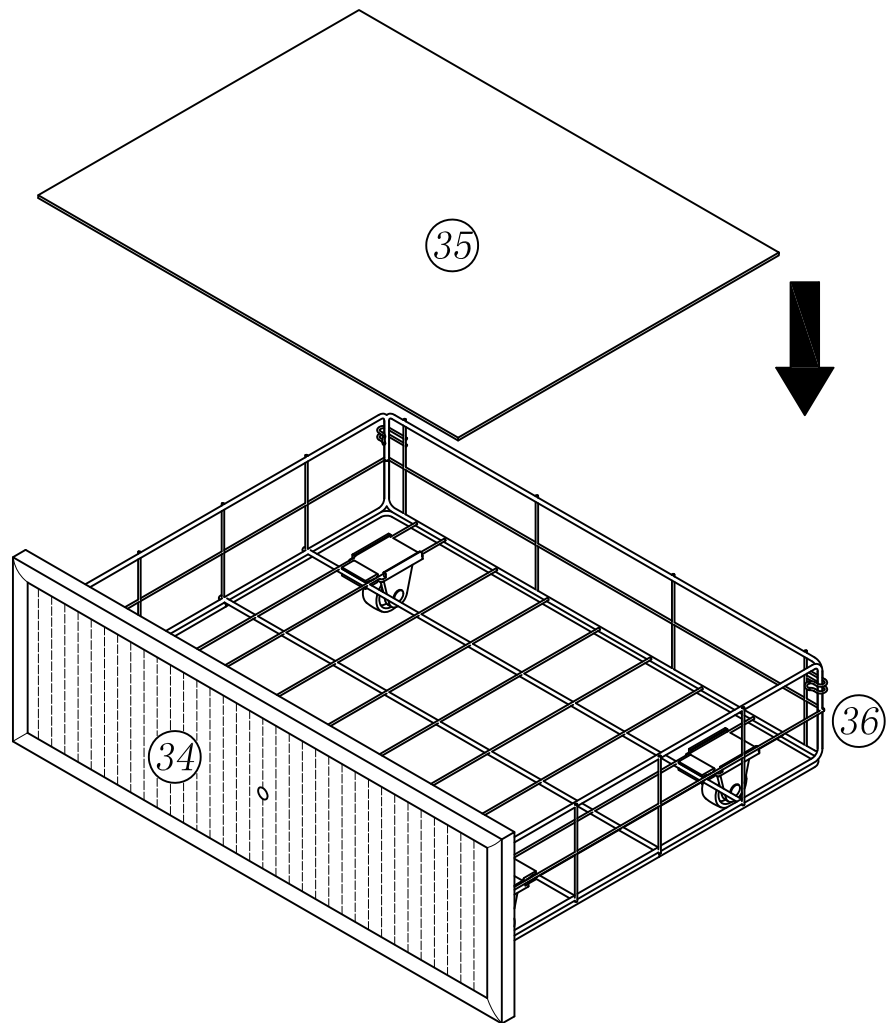
STEP 33



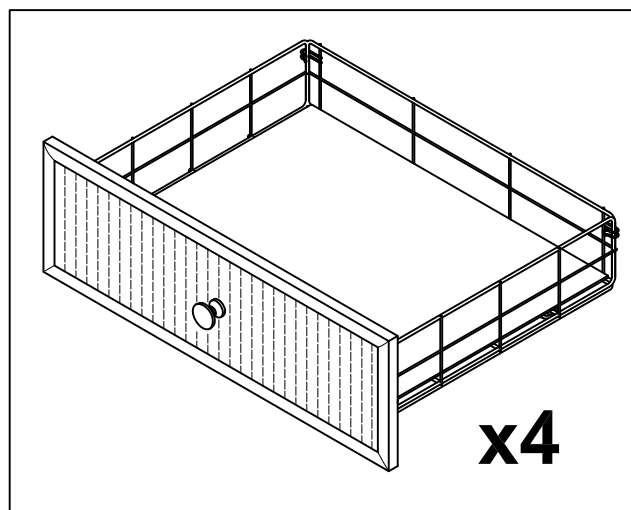
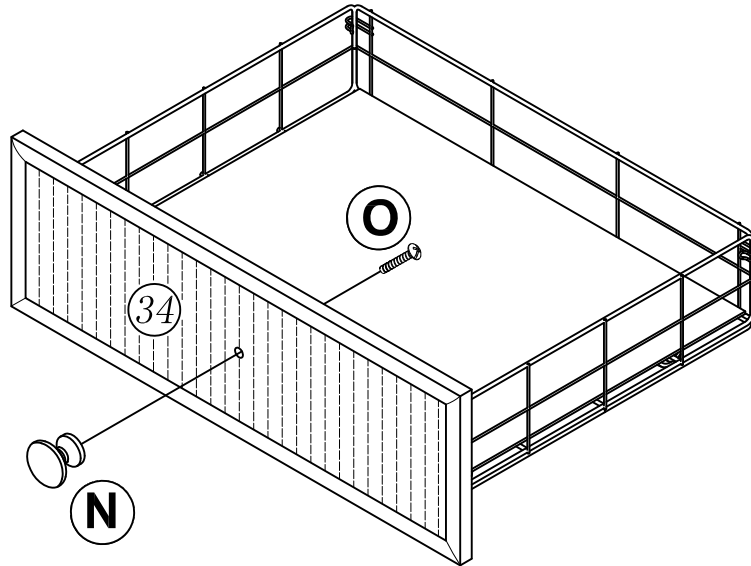
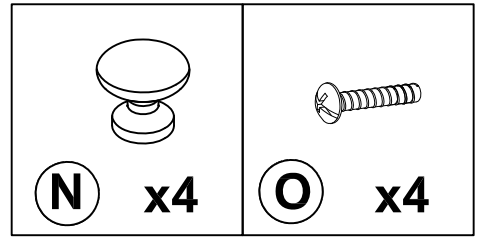
STEP 34



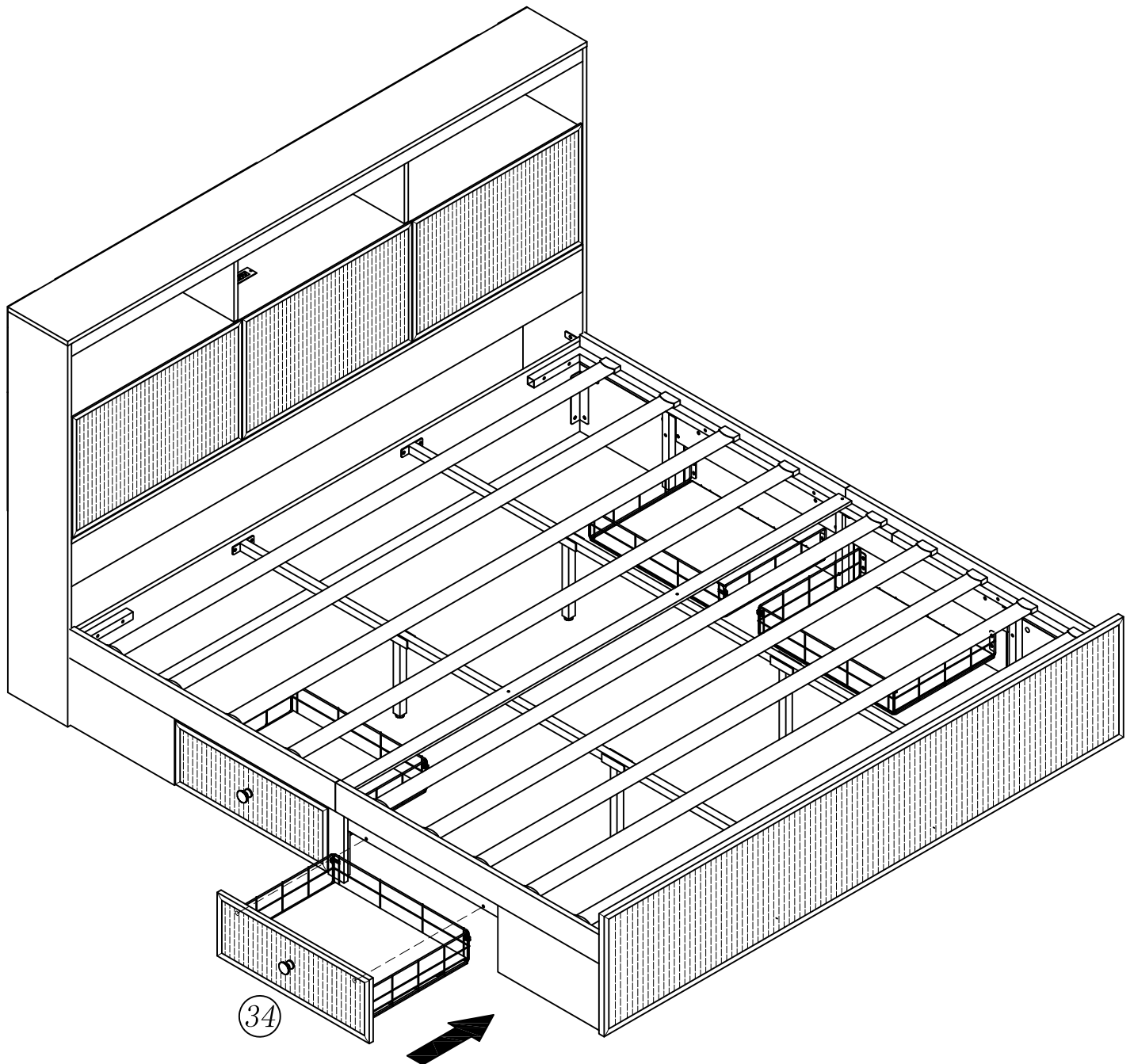
STEP 35



STEP 36



STEP 37



Align the suction iron on the suction surface with the magnet