

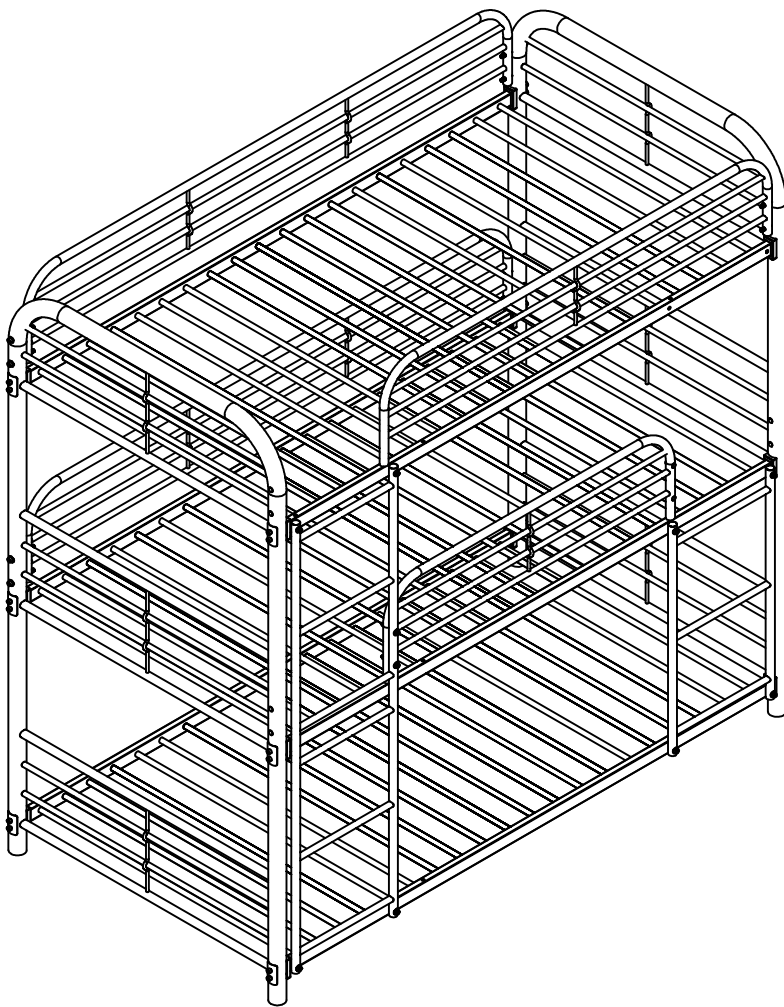
ASSEMBLY INSTRUCTIONS

MODEL #

CM-BK937

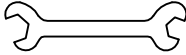
Questions?

GIVE US CALL: 1-888-980-5122
MON-FRI 8:30AM - 5:30PM (PST)



TOOLS REQUIRED


Allen Wrench
(Included)



Open spanner
(Included)


Phillips
Screwdriver
(Not Included)



2 - Persons
Recommended

ASSEMBLY RATING


EASY ————— DIFFICULT

The Assembly Rating is a 5-point system showing the level of effort needed to assemble a specific product.




FOA Intro

Thank you for your purchase!

We hope you enjoy this new addition to your home for many years to come.

Our commitment to providing quality products does not simply end when you purchase our product. We fully stand behind our products from start to finish. Our customer service department is available Monday – Friday 8:30 AM – 5:30 PM Pacific and can help with assembly questions as well as, if necessary, replacing damaged or missing parts. To help expedite our service, please have these assembly instructions readily available, along with your order receipt.

 **Consumer Hotline**
Toll-Free 1-888-980-5122

 **Monday to Friday**
8:30AM- 5:30PM (PST)

 **WEBSITE**
www.foagroup.com

 **E-MAIL**
cs.ec@foagroup.com

    foagroup

 FurnitureOfAmerica

CHECK BEFORE STARTING

Are you missing anything?

Double-check all parts, hardware and accessories listed on Page 6 are accounted for.

Check out our Quick Tips!

We recommend reviewing the pre-assembly handouts. Even experts need a refresher now and then!

Should we send any replacements?

Are there any irregularities or flaws in the parts? We can send replacements!

Prep Time!

Please review the assembly instructions and all diagrams prior to assembling. Arrange parts as recommended on Page 7 and group identical hardware together to make assembling easier.

PRE ASSEMBLY INTRODUCTION

We understand building ready-to-assemble furniture can be a challenging experience for some. To help avoid confusion, we have provided some helpful tips that may speed up the process.



Teamwork

ALWAYS have at least two people to help with transporting and assembling the product to avoid potential injury and/or damage.



Suitable Location

Assembling near the area of the intended location is highly recommended.



Sufficient Space

Make sure you have enough space to move around during the assembly.



Avoid Scratches

Use cardboard, blankets or a carpeted area while assembling furniture to prevent scratches.



Flat Surface

Make sure the furniture rests on a flat and level surface with each leg evenly touching the floor.

ASSEMBLY AND CARE ADVICE



FAILURE TO FOLLOW THE GUIDELINES BELOW MAY RESULT IN INJURY AND/OR PROPERTY DAMAGE.



Position each part correctly and insert screws or bolts into their respective holes.



Turn clockwise to tighten and only tighten when step is completed or when instructed to do so.



Use the appropriate hand tools or power tools for assembly. Select steps, such as tightening screws and/or bolts, may require hand tools to avoid causing damage during assembly.



Save the instructions and store any supplied tools for later maintenance.



After two weeks, check and tighten any loose hardware and repeat again every six months thereafter.

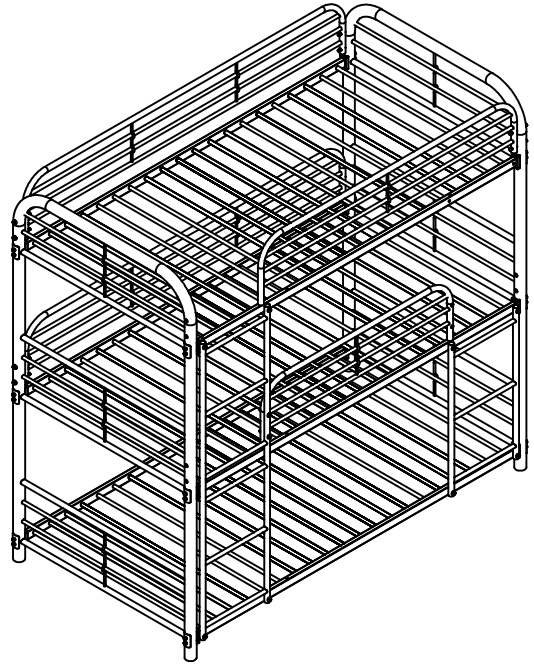
IT IS THE USER'S RESPONSIBILITY TO MAINTAIN THE FURNITURE. THE HARDWARE MAY LOOSEN OVER TIME AND MAY CAUSE THE FURNITURE TO BE WOBBLY AND UNABLE TO SUPPORT ITS INTENDED WEIGHT CAPACITY. THIS MAY LEAD TO COLLAPSE AND MAY CAUSE SERIOUS INJURY.

TRIBED

CM-BK937

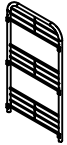


- Please keep instructions for future reference.
- Check the quantity and irregularity of parts and hardware before you start.



PARTS

#1 2pcs



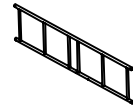
Side Support Frame

#2 3pcs



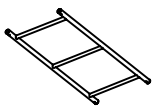
Bed Slat

#3 1pc



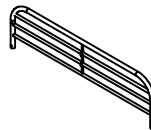
Long Ladder

#4 1pc



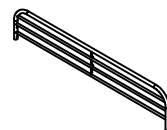
Short Ladder

#5 1pc



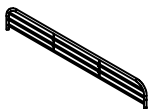
Front Middle Guardrail

#6 1pc



Front Top Guardrail

#7 2pcs



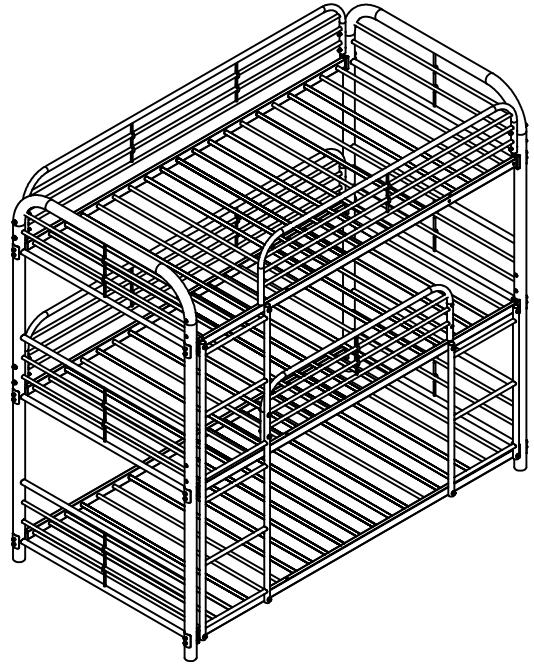
Back Guardrail

TRIBED

CM-BK937



- Please keep instructions for future reference.
- Check the quantity and irregularity of parts and hardware before you start.



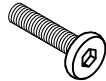
HARDWARE

#A 12pcs



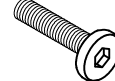
Washer

#B 10pcs



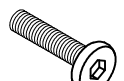
Bolt 5/16-18UNC X $3\frac{3}{8}$ "

#C 24pcs



Bolt 5/16-18UNC X $2\frac{3}{4}$ "

#D 12pcs



Bolt 1/4-20UNC * $2\frac{5}{32}$ "

#E 20pcs



Flat Washer 5/16-18

#F 10pcs



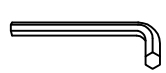
HEX NUT 5/16-18UNC

#G 10pcs



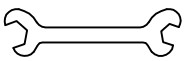
HEX NUT 1/4-20UNC

#H 1pc



Allen Wrench 5/16-18

#I 1pc



Open spanner

#J 12pcs



Plug Ø11

#K 4pcs



Plug Ø9

#M 2pcs



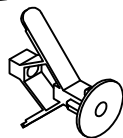
Screw

#N 2pcs



Metal Plate

#O 2pcs



Bracket

#P 2pcs

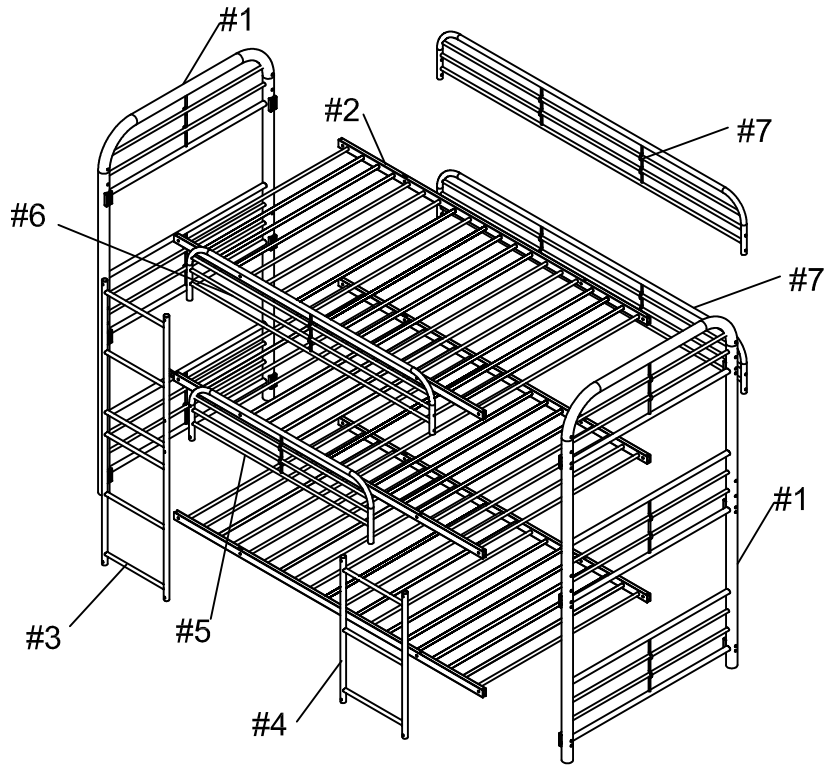


Girding

ASSEMBLY INSTRUCTIONS

Exploded View

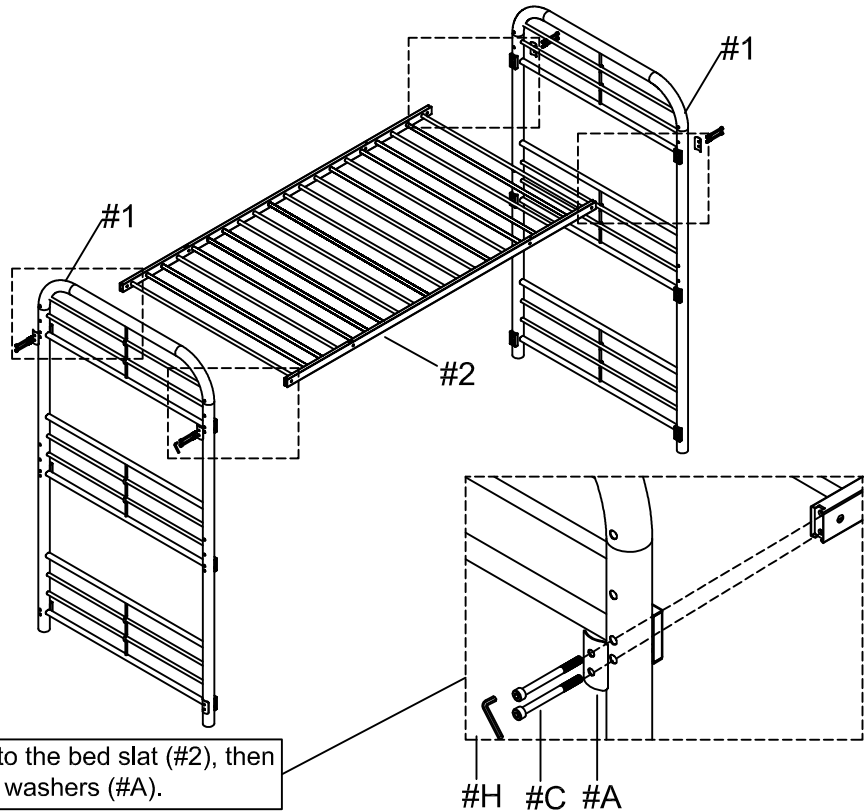
1



DO NOT FULLY TIGHTEN ALL BOLTS UNTIL ASSEMBLY IS COMPLETED.

2

- Part #1 x2pcs
- Part #2 x1pc
- Hardware #A x4pcs
- Hardware #C x8pcs

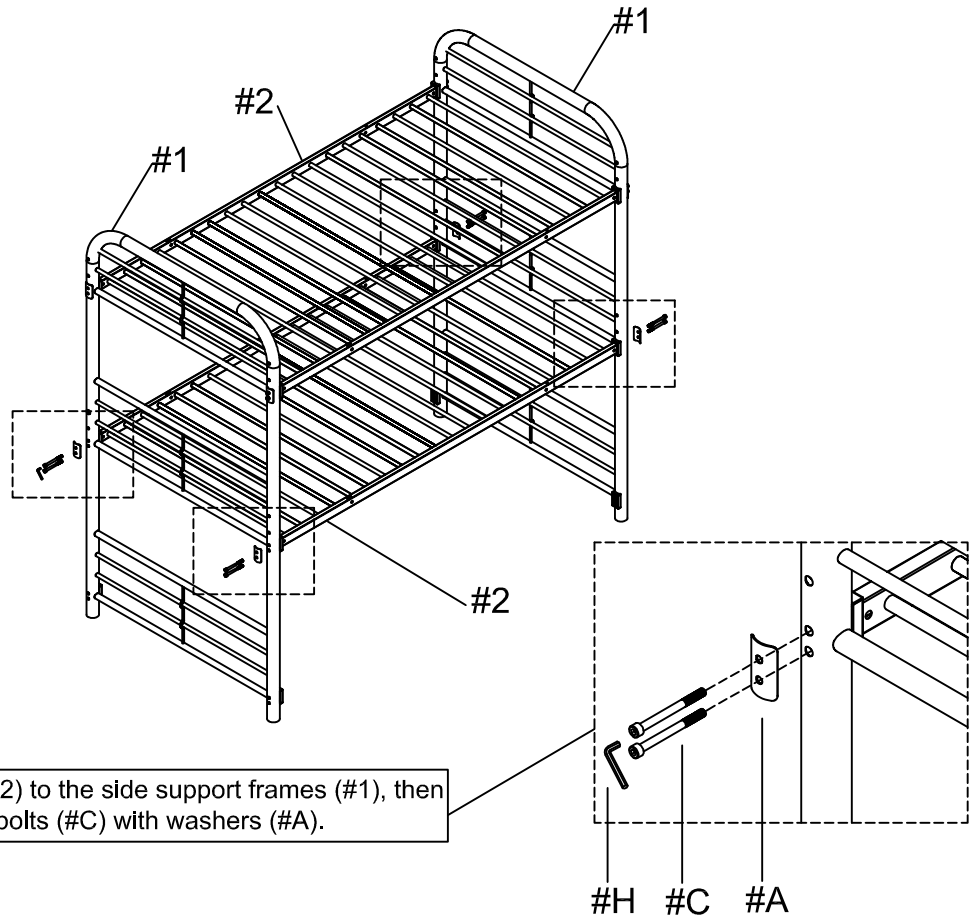


Align side support frames (#1) to the bed slat (#2), then secure by using bolts (#C) with washers (#A).

ASSEMBLY INSTRUCTIONS

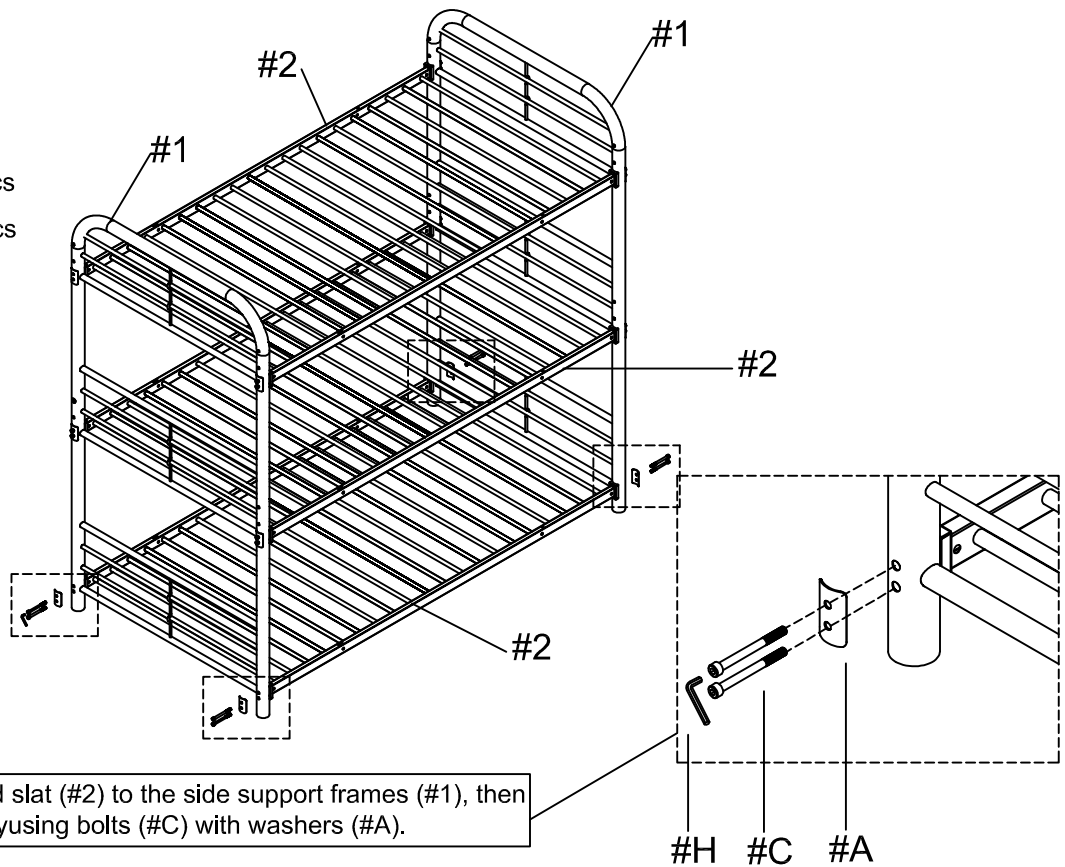
3

- Part #2 x1pc
- Hardware #A x4pcs
- Hardware #C x8pcs



4

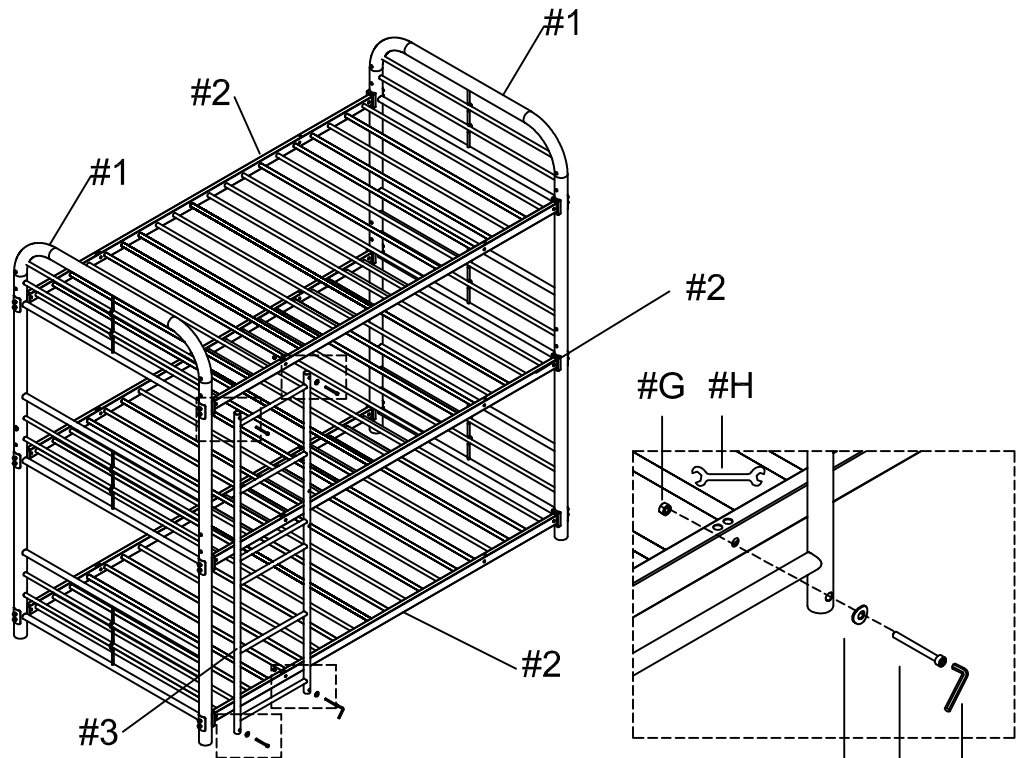
- Part #2 x1pc
- Hardware #A x4pcs
- Hardware #C x8pcs



ASSEMBLY INSTRUCTIONS

5

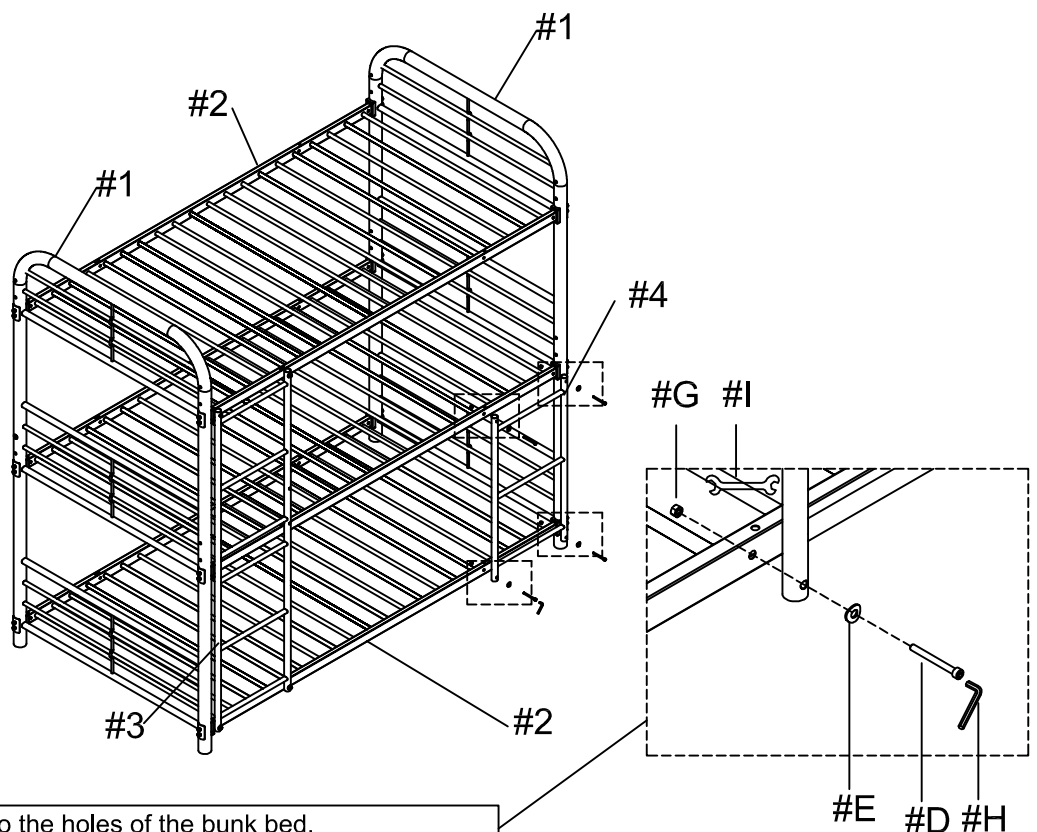
- Part #3 x1pc
- Hardware #D x4pcs
- Hardware #E x4pcs
- Hardware #G x4pcs



Align long ladder (#3) to the holes of the bunk bed, then secure by using bolts (#D) with washers (#E), to hex nut (#G).

6

- Part #4 x1pc
- Hardware #D x4pcs
- Hardware #E x4pcs
- Hardware #G x4pcs

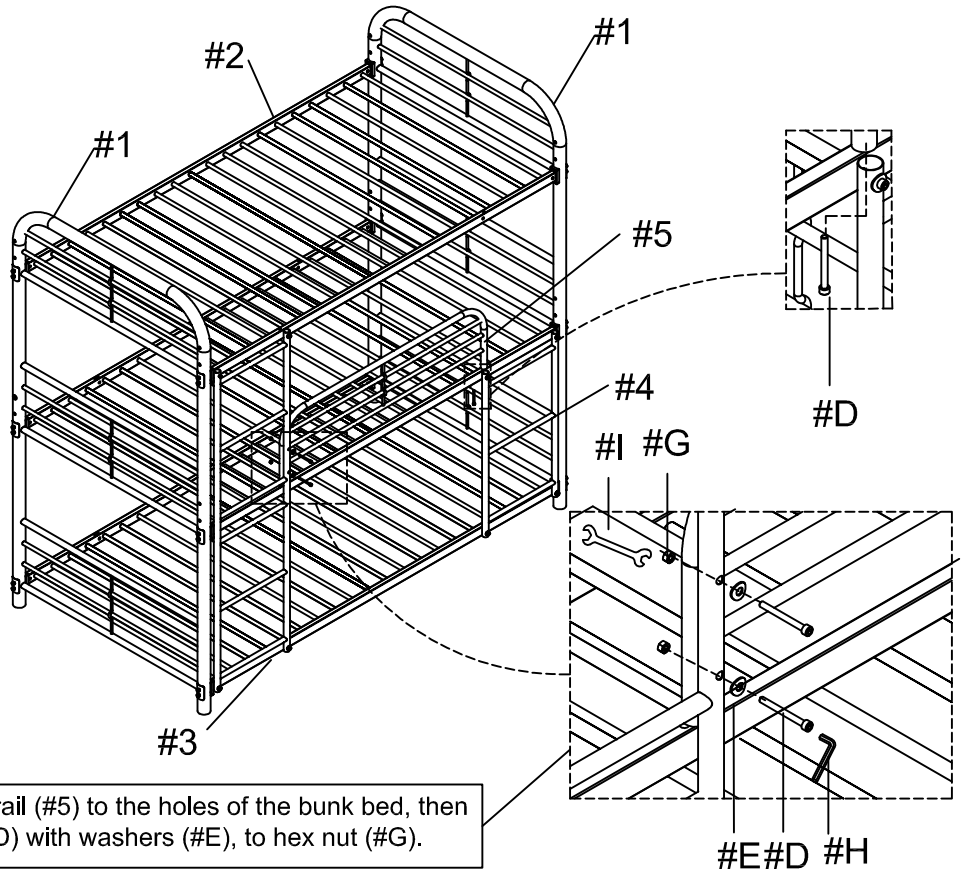


Align short ladder (#4) to the holes of the bunk bed, then secure by using bolts (#D) with washers (#E), to hex nut (#G).

ASSEMBLY INSTRUCTIONS

7

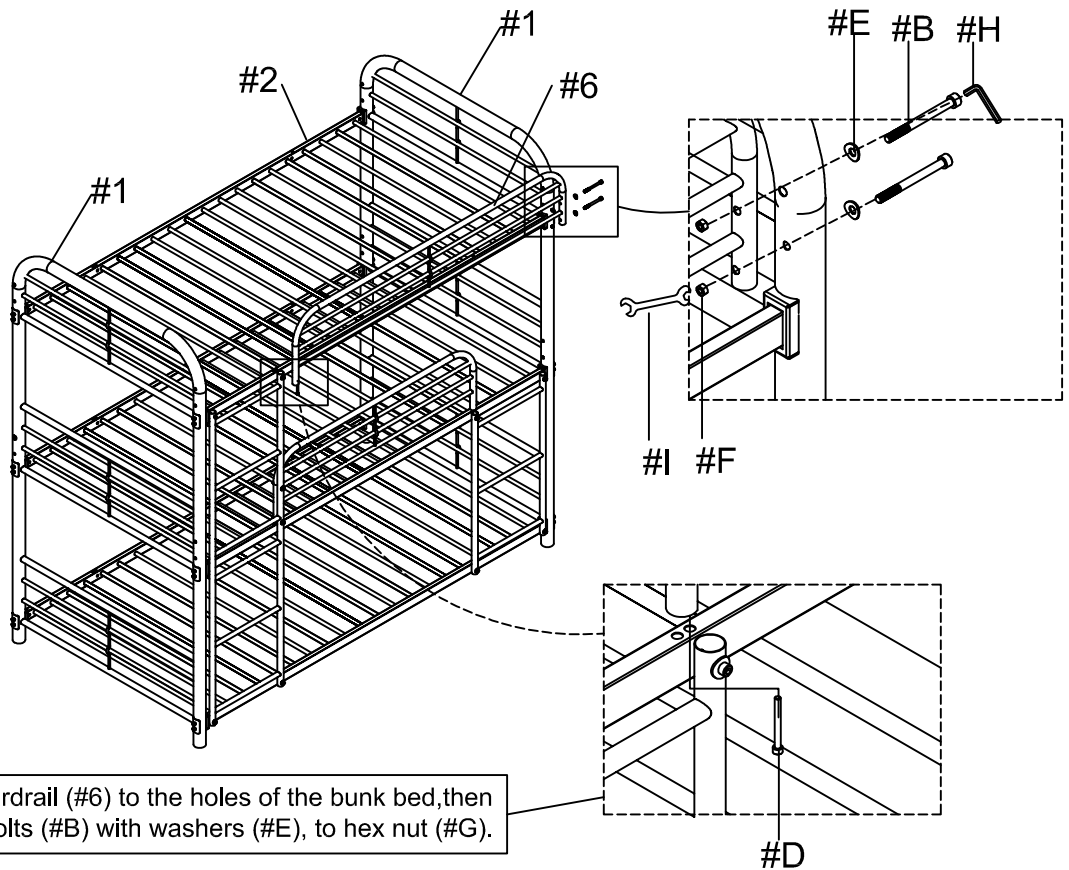
- Part #5 x1pc
- Hardware #D x3pcs
- Hardware #E x2pcs
- Hardware #G x2pcs



Align front middle guardrail (#5) to the holes of the bunk bed, then secure by using bolts (#D) with washers (#E), to hex nut (#G).

8

- Part #6 x1pc
- Hardware #B x2pcs
- Hardware #D x1pc
- Hardware #E x2pcs
- Hardware #F x2pcs

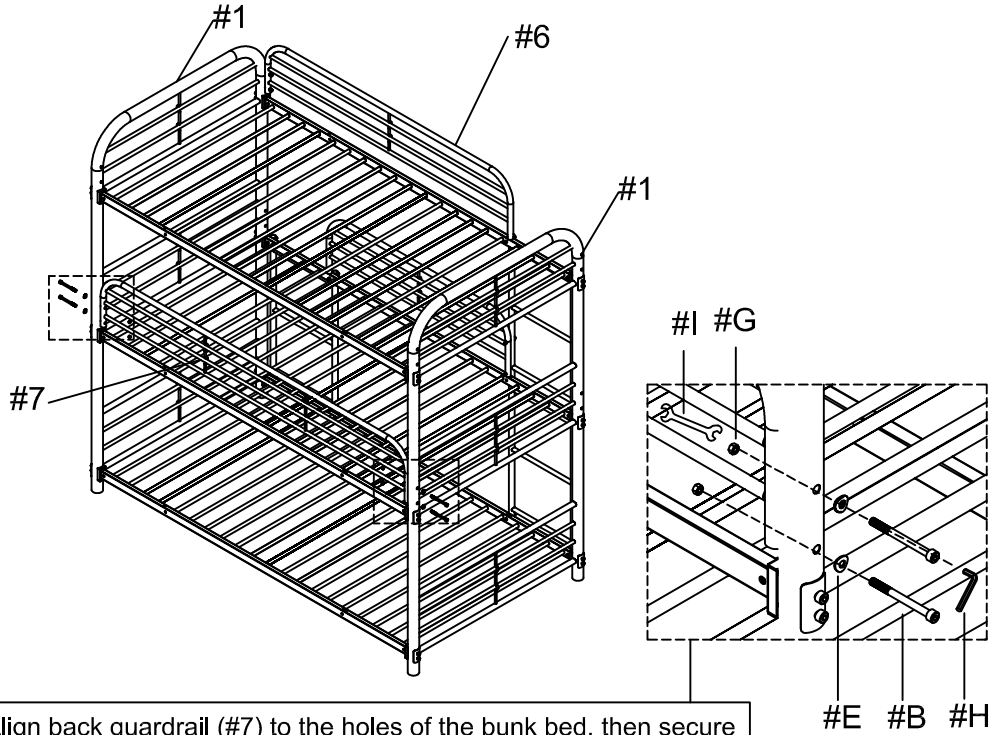


Align front top guardrail (#6) to the holes of the bunk bed, then secure by using bolts (#B) with washers (#E), to hex nut (#G).

ASSEMBLY INSTRUCTIONS

9

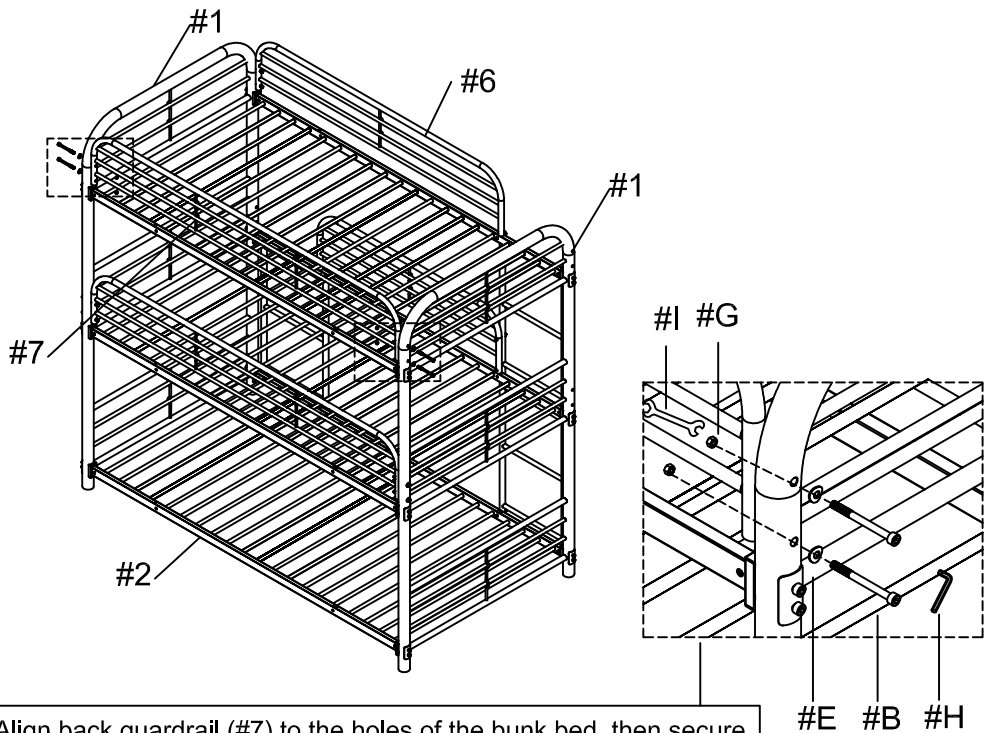
- Part #7 x1pc
- Hardware #B x4pcs
- Hardware #E x4pcs
- Hardware #G x4pcs



Align back guardrail (#7) to the holes of the bunk bed, then secure by using bolts (#B) with washers (#E), to hex nut (#G).

10

- Part #7 x1pc
- Hardware #B x4pcs
- Hardware #E x4pcs
- Hardware #G x4pcs



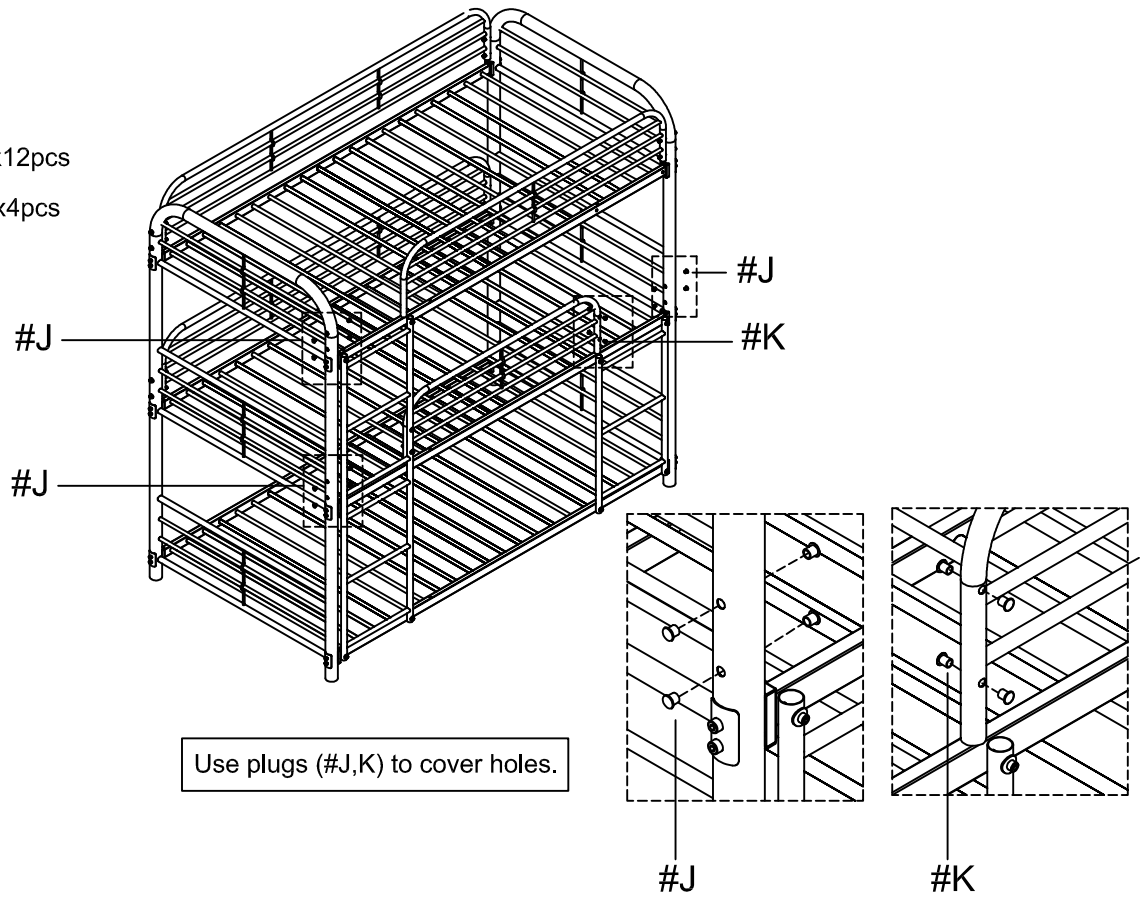
Align back guardrail (#7) to the holes of the bunk bed, then secure by using bolts (#B) with washers (#E), to hex nut (#G).

ASSEMBLY INSTRUCTIONS

11

Hardware #J x12pcs

Hardware #K x4pcs

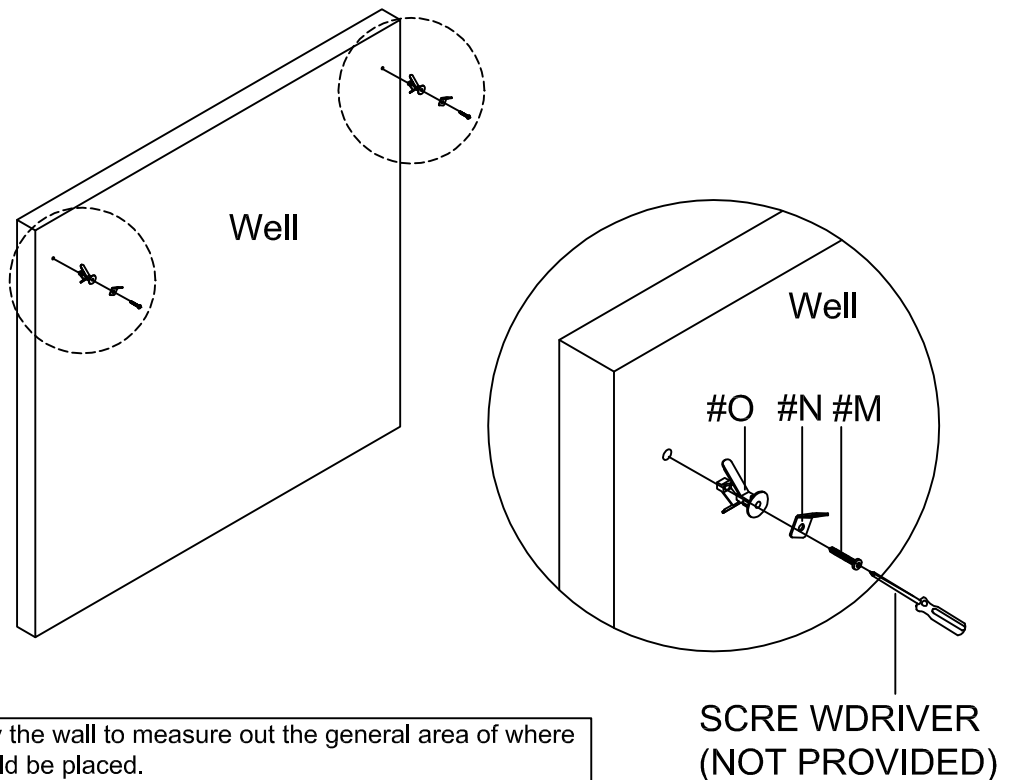


12

Hardware #M x2pcs

Hardware #N x2pcs

Hardware #O x2pcs

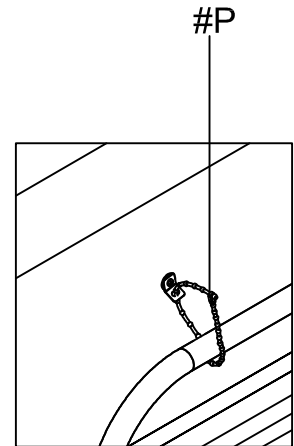
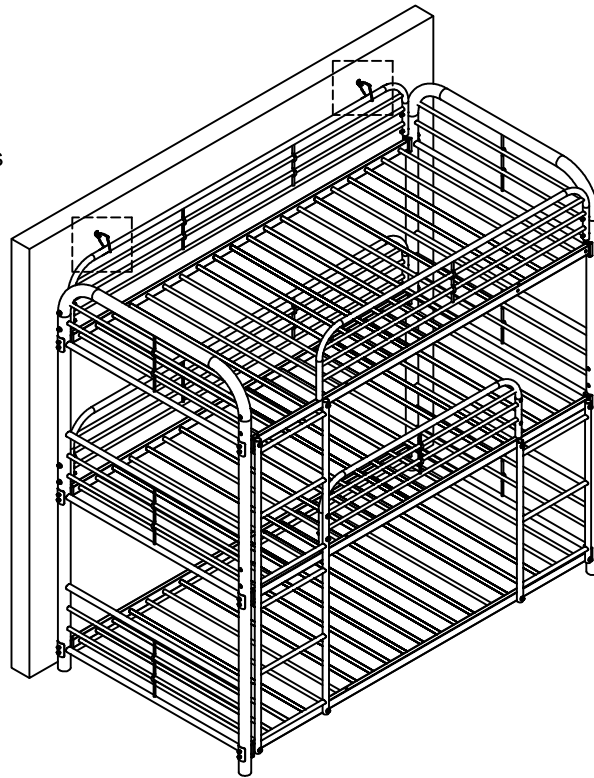


- 1) Place bunk bed by the wall to measure out the general area of where the wall anchor should be placed.
- 2) Secure metal plate (#N) to the wall anchor (#O) by using screws (#M).

ASSEMBLY INSTRUCTIONS

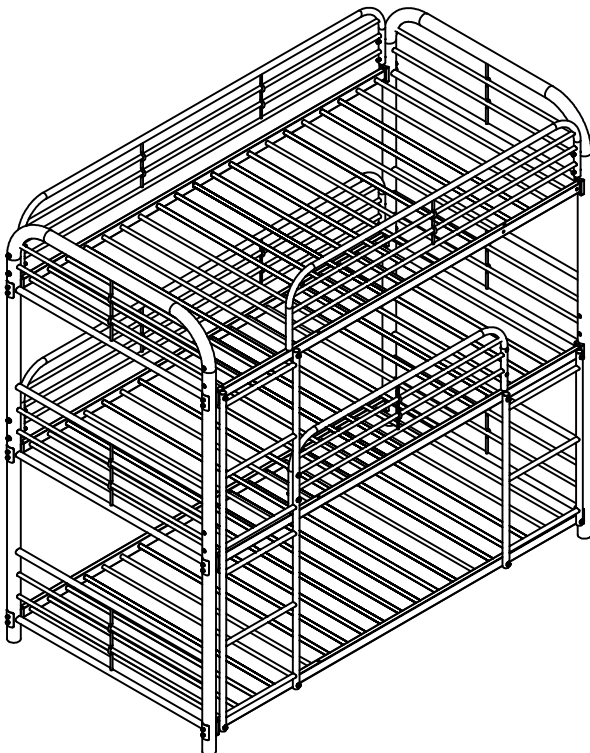
13

Hardware  #P x2pcs



Attach the straps (#P) to the guardrail and metal plate.

14



ASSEMBLY COMPLETED



Please ensure the furniture rests on an even and flat surface. If the product wobbles or feels loose, double-check all bolts and/or screws are properly tightened and secured.



Keep this handy!

Please retain this instruction manual and any order-related information for future reference.

Safety Warnings

1. Follow the information on the warnings appearing on the upper bunk end structure and on the carton . Do not remove warning label from bed.
2. Always use the recommended size mattress or mattress support, or both, to help prevent the likelihood of entrapment or falls.
3. Surface of mattress must be at least 5 in(127mm). below the upper edge of guardrails .
4. Do not allow children under 6 years of age to use the upper bunk.
5. Periodically check and ensure that the guardrail, ladder ,and other components are in their proper position ,free from damage ,and that all connectors are tight .
6. Do not allow horseplay on or under the bed and prohibit jumping on the bed.
7. Always use the ladder for entering and leaving the upper bunk.
8. Do not use substitute parts ,Contact manufacturer or dealer for replacement parts.
9. Use of a night light may provide added safety precaution for a child using the upper bunk.
10. Always use guardrails on both long sides of the upper bunk.
If the bunk bed will be placed next to the wall, the guardrail that runs the full length of the bed should be placed against the wall to prevent entrapment between the bed and the wall.
11. The use of water or sleep flotation mattress is prohibited .
12. Keep these instructions for future reference.
13. Use only mattress which is (74"-74.5")X(37 $\frac{1}{2}$ "-38 $\frac{1}{2}$ ")X6" on upper bunk and under bunk .
14. Prohibit more than one person on upper bunk.
15. Maximum total weight is not to exceed 400 lbs.on the upper bunk.

STRANGULATION HAZARD:

Never attach or hang items to any part of the bunk bed that are not designed for use with the bed, for example, but not limited to, hooks, belts, and jumpropes.