



**Delironexu**

**DO NOT DISCARD**

**IMPORTANT INFO INSIDE**



**DO NOT  
RETURN TO STORE**

If you have any questions, require technical assistance or have any problems with your product, we will be glad to assist you.

Please contact our customer service team

**[www.delironexu-tl.com](http://www.delironexu-tl.com)**

**[info@delironexu-tl.com](mailto:info@delironexu-tl.com)**



If for any reason this product does not meet your expectations, please be sure to repack this product in the original box and packaging material to avoid delays in the return process.

# UNDERMOUNT SINK INSTALLATION INSTRUCTIONS

## Attention Installer

1. Read these instructions carefully before installation. Inspect sink for damages. Do not install if the sink is damaged.
2. Delironexu recommends that installation of undermount sinks be done by a professional installer.
3. Templates are only provided as a guide. Place template on sink to ensure the template will give you the proper cutout for the sink. Delironexu is not responsible for improper sink or countertop installation. Delironexu is not liable for any damages to sink or countertop or personal injury during installation.
4. The instructions in this guide are for installation on a wood countertop. For installation on granite, marble or cultured stone countertops ask your fabricator for proper installation instructions. Remind your fabricator to install the sink in a way that it can be removed in the future from the countertop if necessary.
5. Observe all local plumbing and building codes.

Alignment of sink to cutout is critical for a superior fit and finished look. Depending on your aesthetic preference, Delironexu sinks can be installed either with a 1/4" reveal, flush fit, or with a negative reveal. Decide on your preference prior to installation.

### 1/4" Reveal

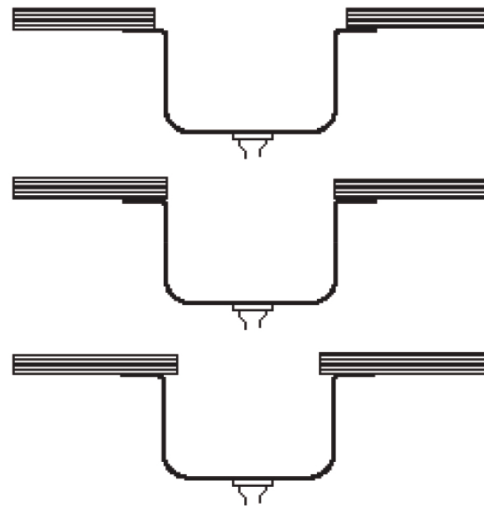
The countertop edge sits approximately 1/4" back from the edge of the sink and exposes the rim of the sink.

### Flush Fit

The countertop meets the edge of the sink, **fitting flush** with the sink bowl.

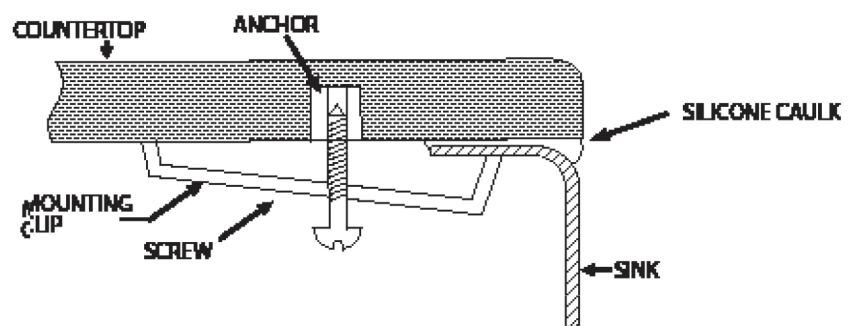
### 1/4" Overhang

The countertop extends 1/4" over the edge of the sink on all sides.



## Installation

1. Place template on countertop. Position it such that the sink will have proper clearance from cabinet.
2. Trace a line around the template. Determine what "reveal" you want your sink to have (see previous page) and based on that, adjust the line accordingly. Cut along the line.
3. Turn the countertop upside down, and mark evenly-spaced positions for the anchors for the mounting clip. We recommend 3 mounting clips for the sink sides 20" and longer, and 2 mounting clips for the shorter sides. Drill holes for the anchors (following the countertop manufacturer's instructions) as shown below. Use a drill bit with stop block to avoid drilling through the countertop. Secure anchors into the countertop and fasten mounting clips loosely. NOTE: For granite, marble or solid stone countertops we recommend using lead anchors which are glued to the countertop.
4. Clean the underside of the countertop and the rim of the sink. Using a good quality silicone caulk, apply silicone caulk evenly around the rim of the sink.
5. Place sink over the countertop opening. Tighten the screws until mounting clips are snug against sink.
6. Check alignment of sink to countertop opening and move slightly if you have to.
7. Tighten down clips evenly without overtightening. Remove excess silicone.



**INSTALLATION SHOWN IN  
ZERO REVEAL MOUNT**

# TOPMOUNT SINK INSTALLATION INSTRUCTIONS

## BEFORE YOU START PRIOR TO INSTALLATION

- We recommend that all topmount sinks be installed by an experienced, professional installer.
- **IMPORTANT:** The cabinet must be installed, secured, plumb, and level. Failure of this step can result in product damage.
- Our topmount sinks should only be fastened to a solid surface countertop.
- Make sure that you have all necessary parts by checking the part list.
- We are not responsible for sink or countertop if damaged during installation. Inspect the sink prior to installation to make sure that it has not been damaged.
- Metal edges may be sharp - Extreme care should be taken when handling.
- Follow all local plumbing and building codes.

## RECOMMENDED TOOLS

- Tape Measure
- Safety Goggles
- Painters Tape
- Level
- Framing Square
- Pencil (not permanent marker)
- Scissors
- Drill
- Jigsaw
- Phillips Screwdriver
- Screwdriver
- Shims or Cabinet Fillers
- Denatured Alcohol
- Construction Adhesive
- Silicone Sealant

## PREPARE THE COUNTERTOP

1. Position the cut-out template front to rear so the sink will not interfere with the cabinet; secure with tape.

**Note:** Make sure clearance is suitable for backsplash, faucet, and plumbing for the sink

2. Trace the template on countertop with a pencil. Dry fit the sink to verify the measurements.

3. Following the countertop manufacturer's instructions, carefully cut the countertop on the inside of the traced line.

**Note:** Use the appropriate saw that best fits your countertop material.

**IMPORTANT:** The cabinet must be installed, secured, plumb, and level BEFORE installing the sink.

## INSTALL THE COUNTERTOP

1. Clean the top of the countertop and the bottom flange (or lip) of the sink with denatured alcohol.

2. Apply a narrow bead of silicone adhesive sealant evenly all around the top edge of the countertop.

3. Position and align the sink over the countertop opening. Carefully lower the sink into the cutout in the countertop. Press silicone onto countertop.

4. Preassemble the mounting bracket and fastener. Bend left side of the mounting bracket over to the most (as shown in picture).

5. From the underside — place the mounting bracket in each hole, the fastener head is facing/supporting countertop underneath, and the bending part of mounting bracket is against the sink.

6. Tighten fasteners until mounting brackets are snug against sink. Check alignment of sink to the countertop opening.

7. Tighten down fasteners evenly. Be careful not to over-tighten.

8. Immediately remove excess sealant.

9. Immediately clean and dry the sink after installation.

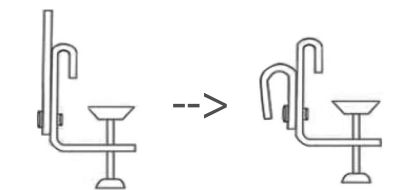
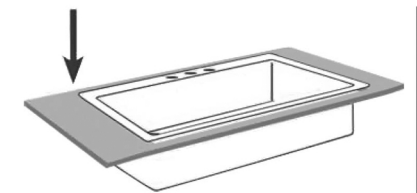
Outline For Sink Cutout



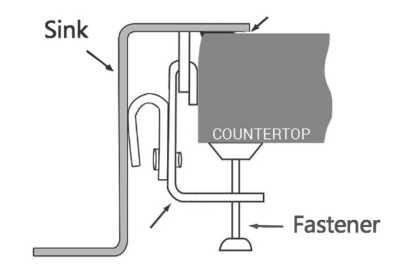
Apply Silicone Sealant After Cleaning The Sink Edge And Countertop



Carefully Lower The Sink Into The Cutout On The Countertop



Silicone Caulk





**Delironexu**



## Care & Maintenance

### For Stainless Steel Sinks

#### Daily Care

- For best results, rinse sink after each use
- Wipe off with soft sponge or cloth
- Do not use steel wool or abrasive cleaners such as ammonia and bleach
- Do not leave pots, utensils, or standing water in the sink

#### Deeper Clean

- Use water and mild liquid detergent (ammonia-free)
- Apply cleaner with soft sponge, rinse, and pat dry with microfiber cloth
- Polish sink with recommended stainless steel cleaner to retain luster

Company website: [www.delironexu-tl.com](http://www.delironexu-tl.com)

Contact email: [info@delironexu-tl.com](mailto:info@delironexu-tl.com)

