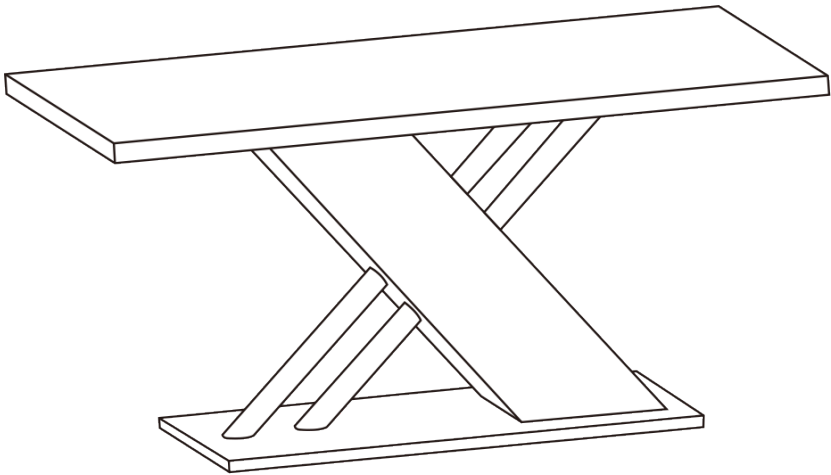


DINING TABLE

ASSEMBLY GUIDE



Important - Please read these instructions fully before starting assembly



**SAFETY AND
CARE ADVICE**



NO POWER TOOLS

SAFETY AND CARE ADVICE

- Check you have all the components and tools listed.
- Remove all fittings from the plastic bags and separate them into their groups.
- We do not recommend the use of power drills/drivers for inserting screws, as this could damage the unit. Only use hand screwdrivers and Allen keys.
- Keep children and animals away from the work area, small parts could cause choking if swallowed.
- Make sure you have enough space to layout the parts before starting.
- Assemble the item as close to its final position (in the same room) as possible.
- Do not overtighten the nuts to avoid causing damage to the threads.
- Only clean using a damp cloth and mild detergent, do not use bleach or abrasive cleaners.
- From time to time check that there are no loose screws on this unit
- This product should not be discarded with household waste. Take to your local authority waste disposal centre

IMPORTANT INFORMATION



45 MINUTE
BUILD

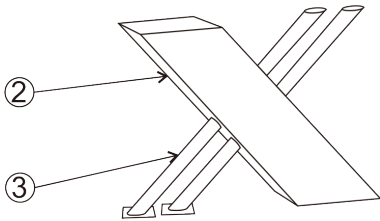
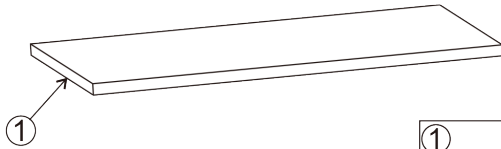










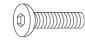







TWO
PERSON



MAXIMUM
CAPACITY 100Kg

PLEASE CHECK CAREFULLY AND MAKE SURE YOU HAVE ALL FITTINGS AND TOOLS LISTED BELOW BEFORE YOU START.

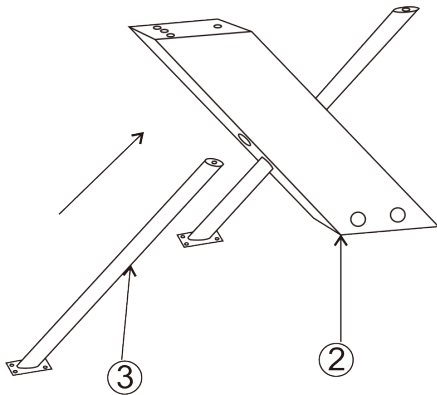
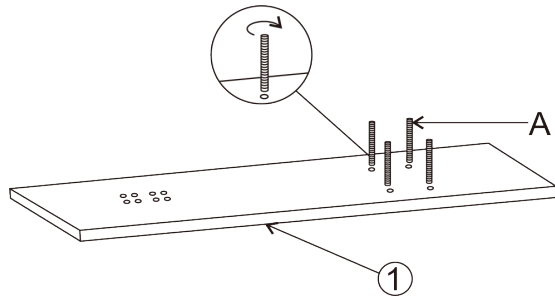


①  x1	②  x1	③  x2	④  x1
A  M8*65mm x4	B  M8*20mm x8	C  M8*10mm x14	D  M8*18mm x8
E  M8*30mm x6	F  M8*22mm x6	G  x1	H  x1
I  Ø35 x4	J  Ø30 x6	K  Ø40 x4	L  M8 x4

NOTE: The quantities above are the correct amount to complete the assembly. In some cases more fittings may be supplied than are required.

STEP 1

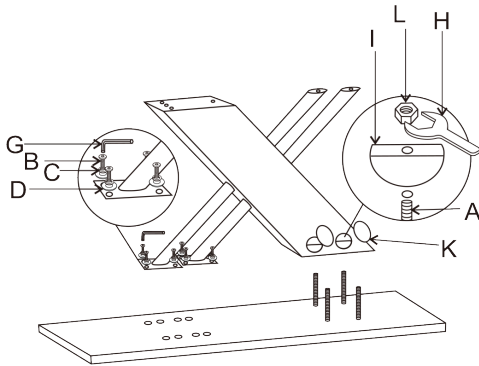
Put the pieces on a soft flat surface e.g. a carpet to avoid scratching or bumping. Insert part Ax4 into the assembly holes of part 1 (the table top).



STEP 2

Insert the metal rods (part 3) into the table leg (part 2) as shown. Pay attention to the direction of the rods so that the base feet are facing downwards.

FULL ASSEMBLY INSTRUCTIONS



STEP 3

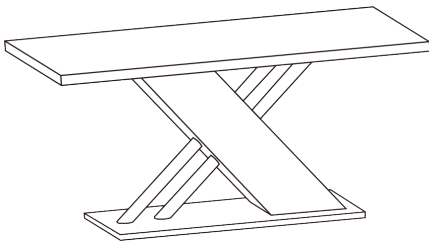
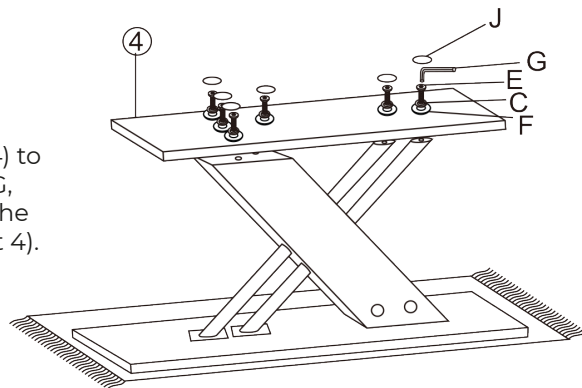
Add the table frame to the table top using the fixings indicated in the diagram.

ATTENTION: Do not fully tighten screws. Keep these screws slightly loose so the table angle can be adjusted and fixed once assembly is complete.

Then use fixing K to cover the holes on the table legs (part 2) as shown.

STEP 4

Attach the table base (part 4) to the table legs using fixings G, E, C, F. Use fixing J to cover the holes on the table Base (part 4).



STEP 5

ATTENTION: Tighten all screws/bolts fully and then with help turn the table over. Assembly is now complete.



OUR 2 YEAR* GUARANTEE

our products come with a 2 year guarantee to give you peace of mind shopping :

*excludes some garden furniture items which have a 1 year guarantee



WHAT THE GUARANTEE COVERS



PRE-INSERTED FIXINGS
e.g. lose metal threads



FAULTY JOINTS
e.g. legs bending



EXTERNAL FIXING FAULTS
e.g. bonding/glue



STRUCTURAL INTEGRITY
e.g. the frame of the product