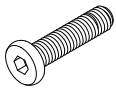


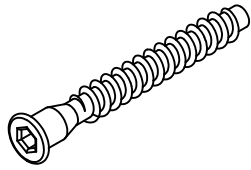
M6*30

A x26

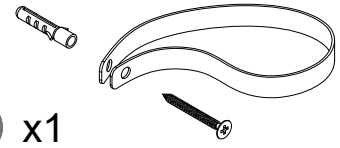


M6*50

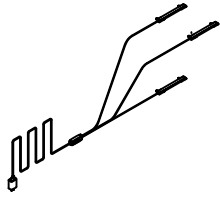
B x2



C x1

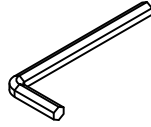


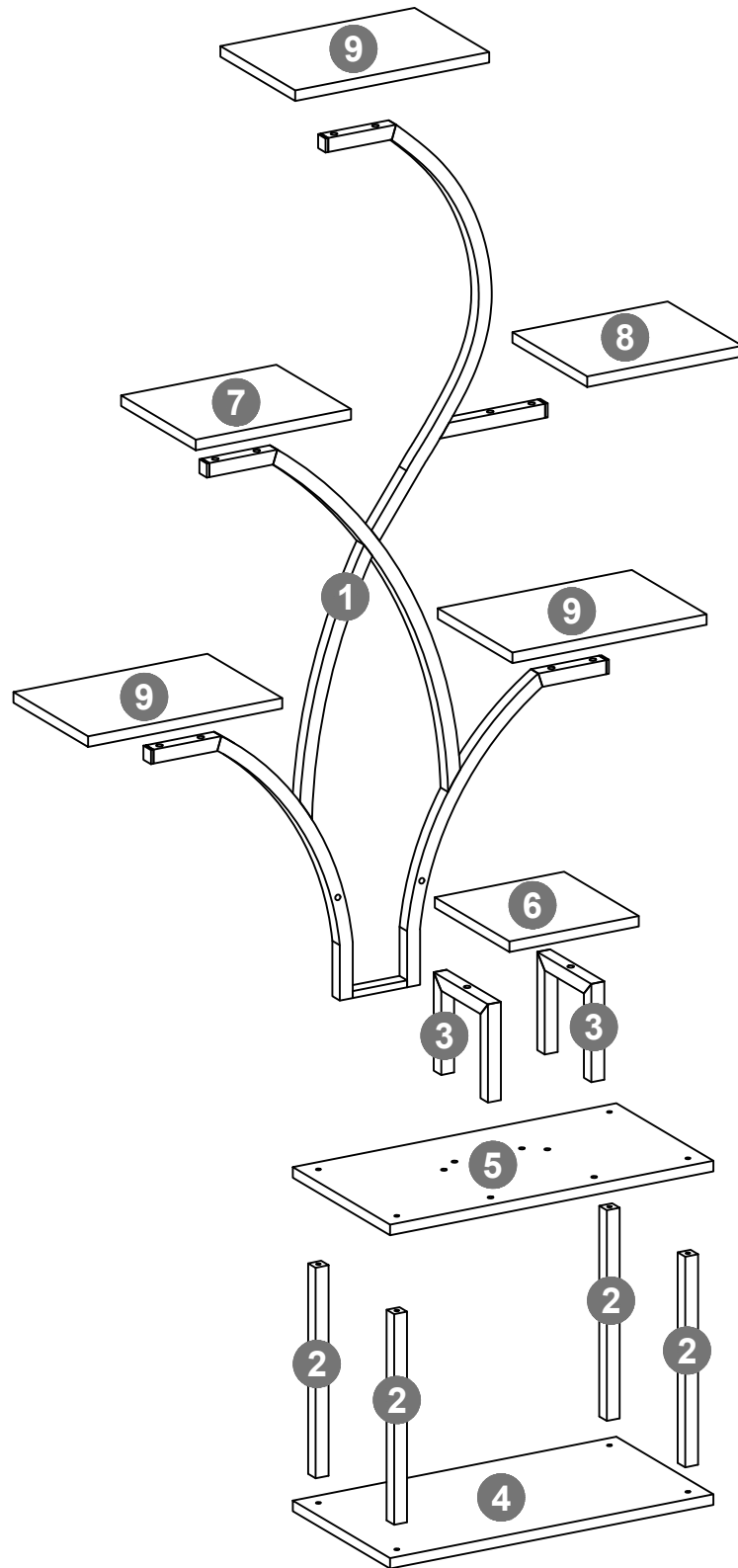
- x1

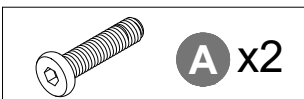
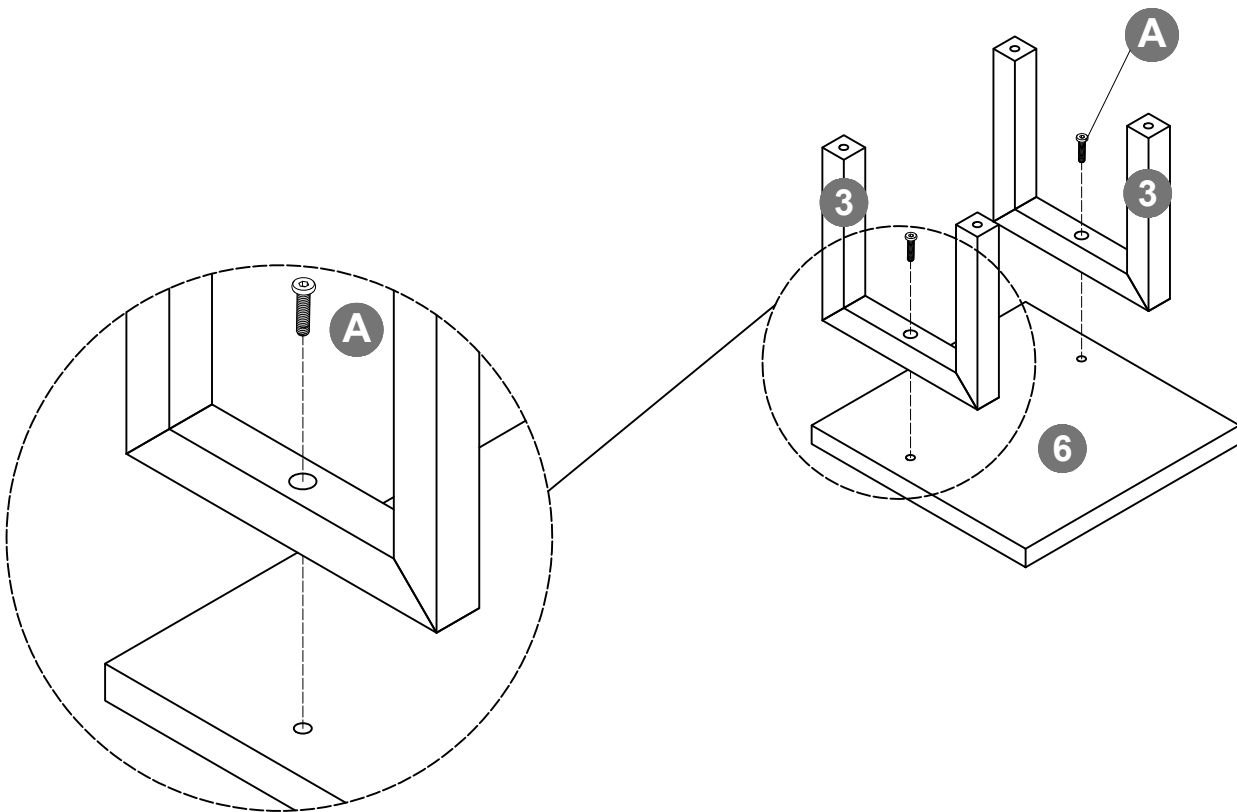
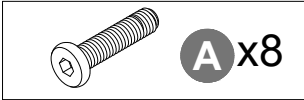
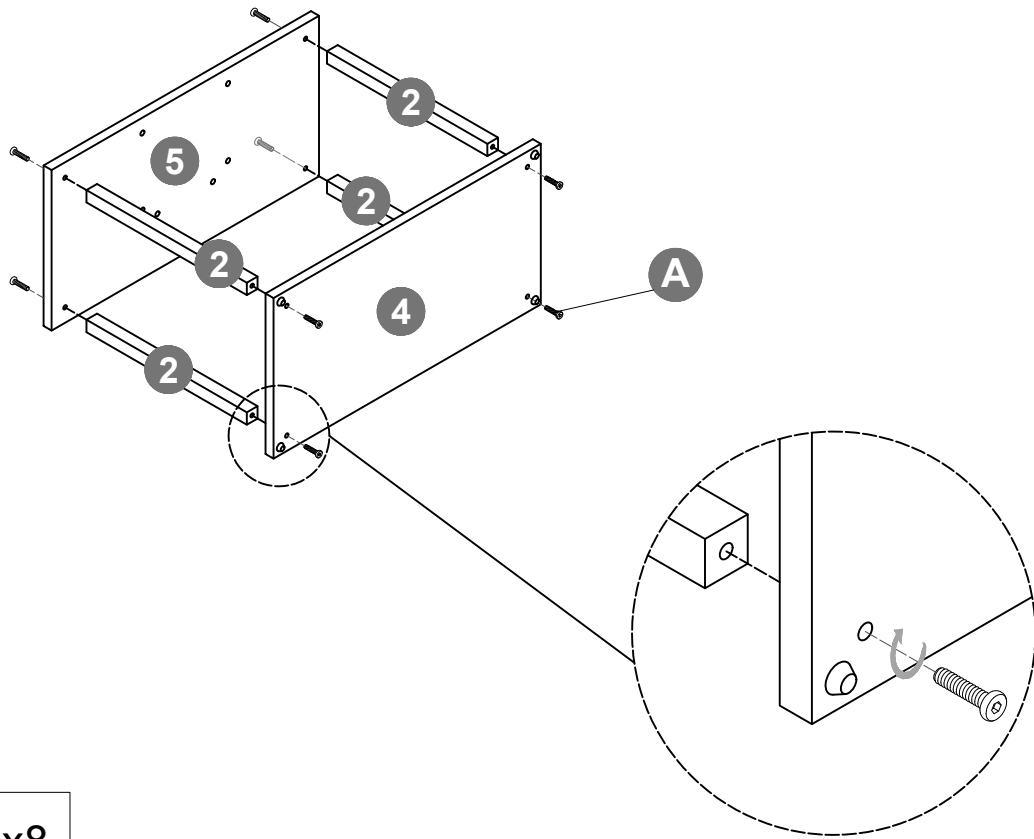


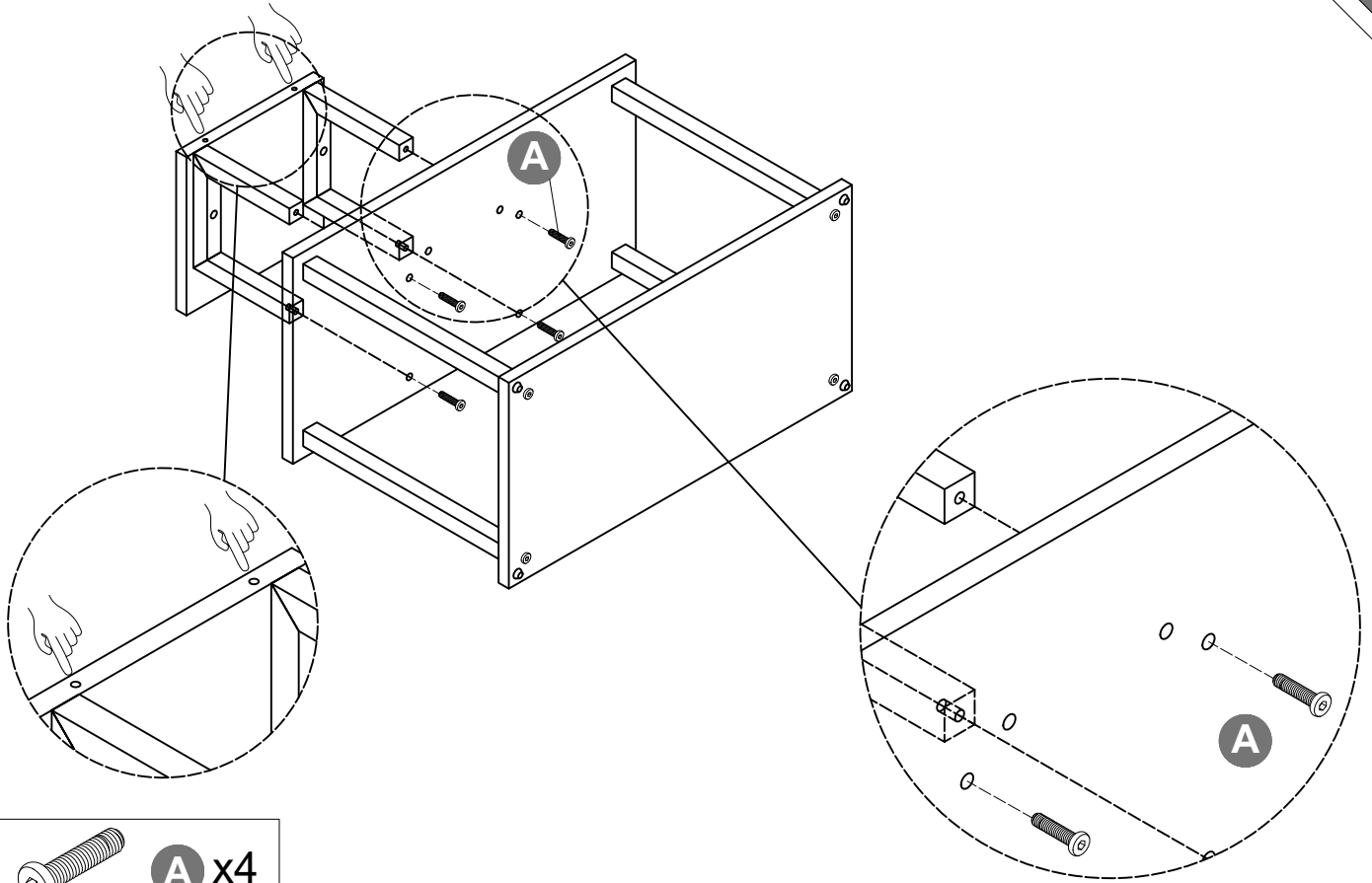
S4

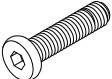
- x1

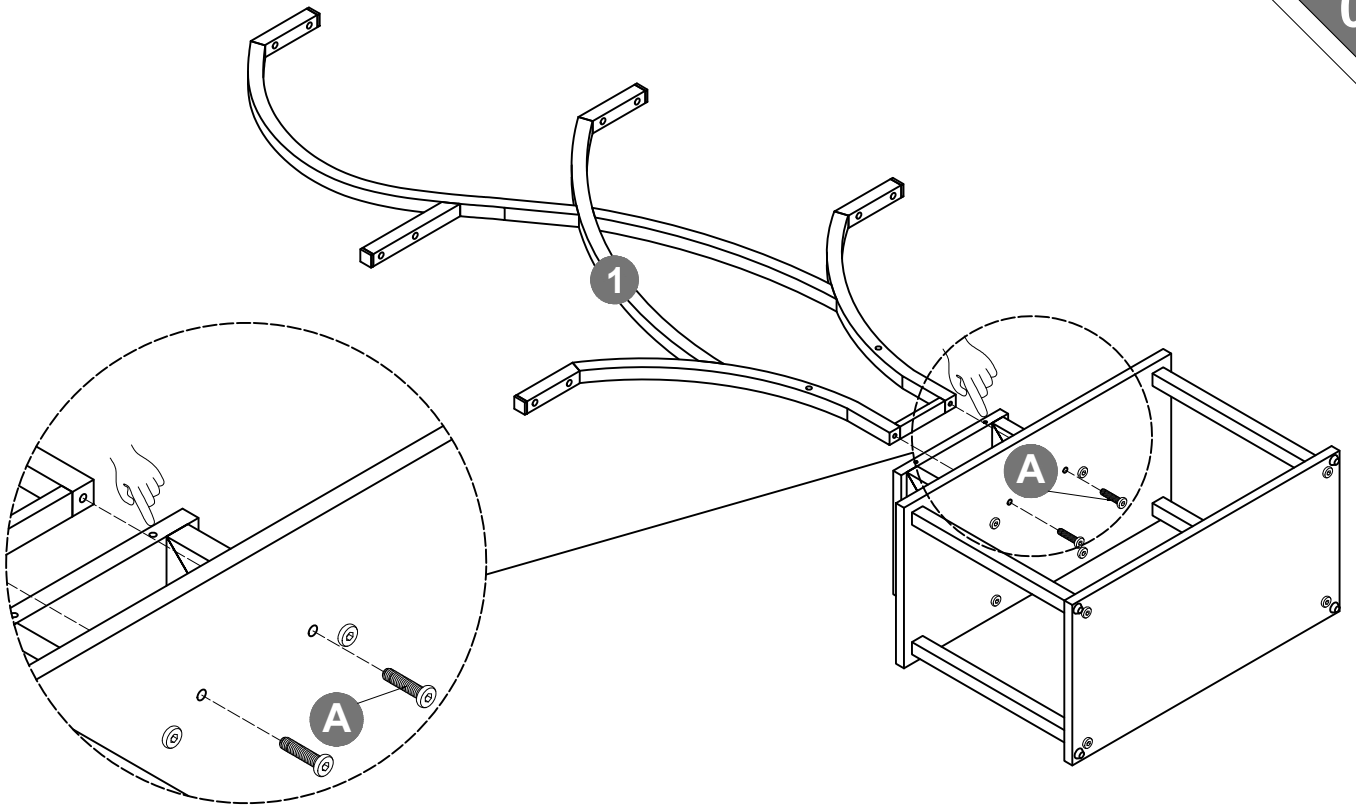


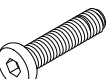






 **A** x4



 **A** x2

