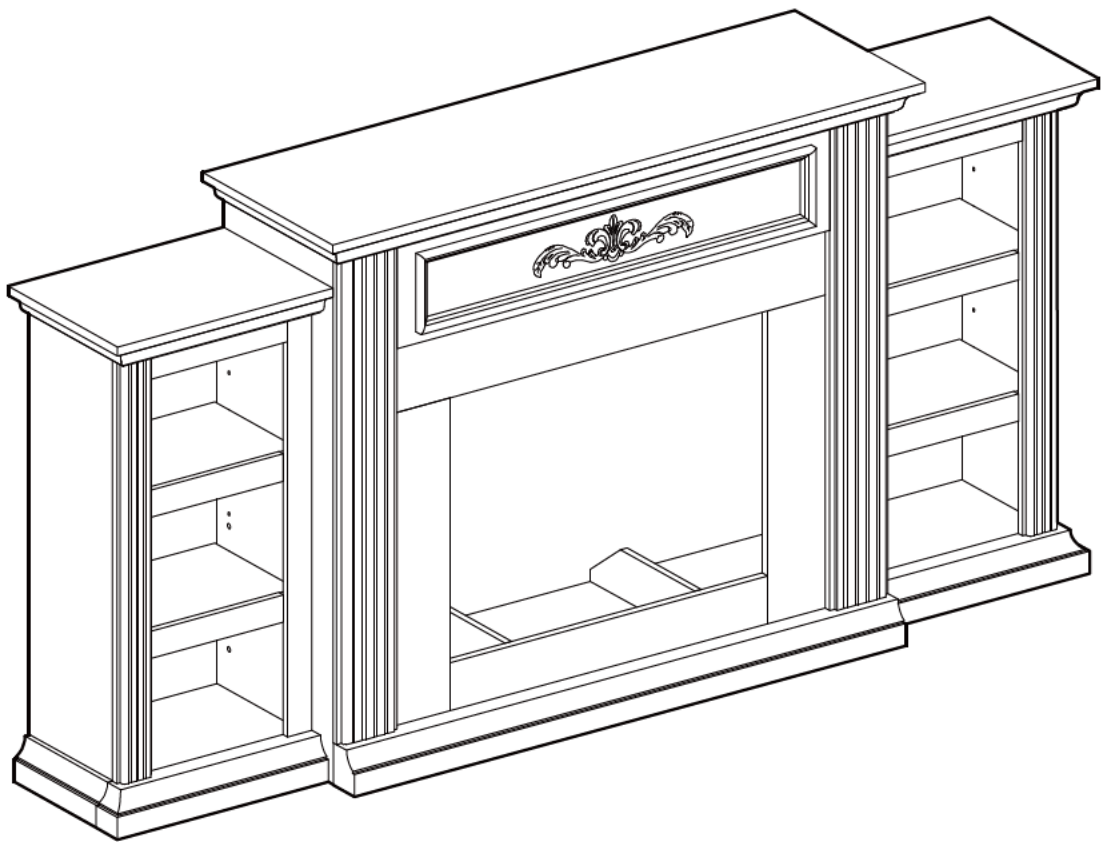
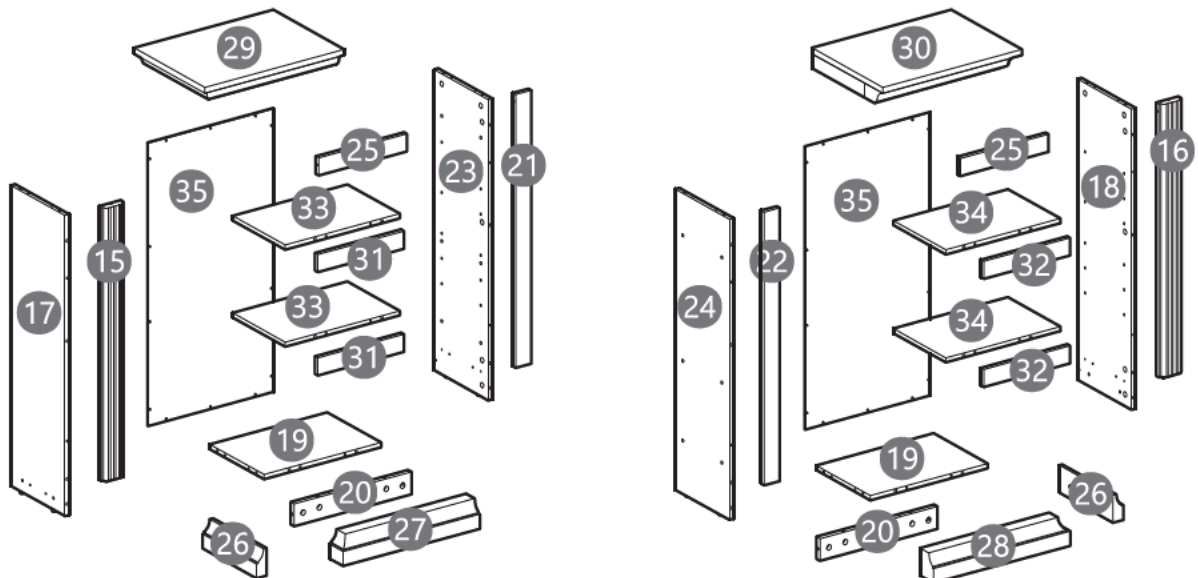
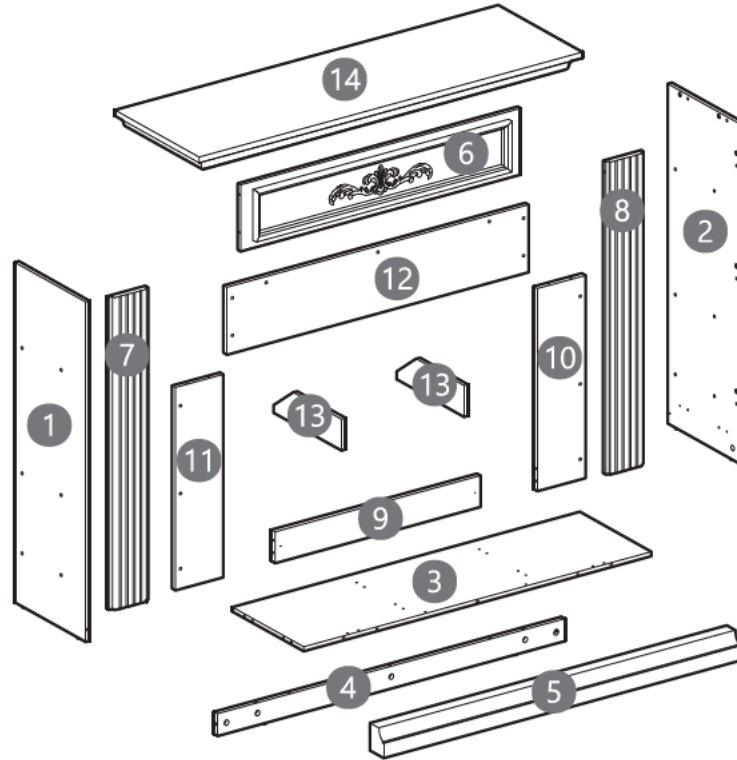


ASSEMBLY INSTRUCTIONS



If you have any questions, please contact us.

ASSEMBLY STRUCTURE REFERENCE DIAGRAM



PACKAGE CONTENT

A



X 74+2

B



X 74+2

C



$\text{\O}6 \times 30\text{mm}$
X 84+2

D



$\text{\O}3 \times 12 \times 6\text{mm}$
X 20+2

E



X 10

F



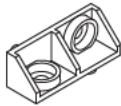
$\text{\O}3 \times 14\text{mm}$
X 28+2

G



$\text{M6} \times 12\text{mm}$
X 24+2

H



X 12

I



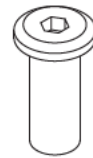
$\text{M6} \times 20\text{mm}$
X 17+2

J



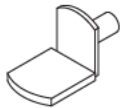
$\text{M6} \times 20\text{mm}$
X 12+1

K



X 12+1

L



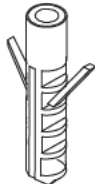
X 16+2

M



X 2

N



X 2

O



$\text{\O}4 \times 35\text{mm}$
X 2

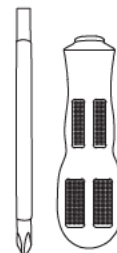
P



M4

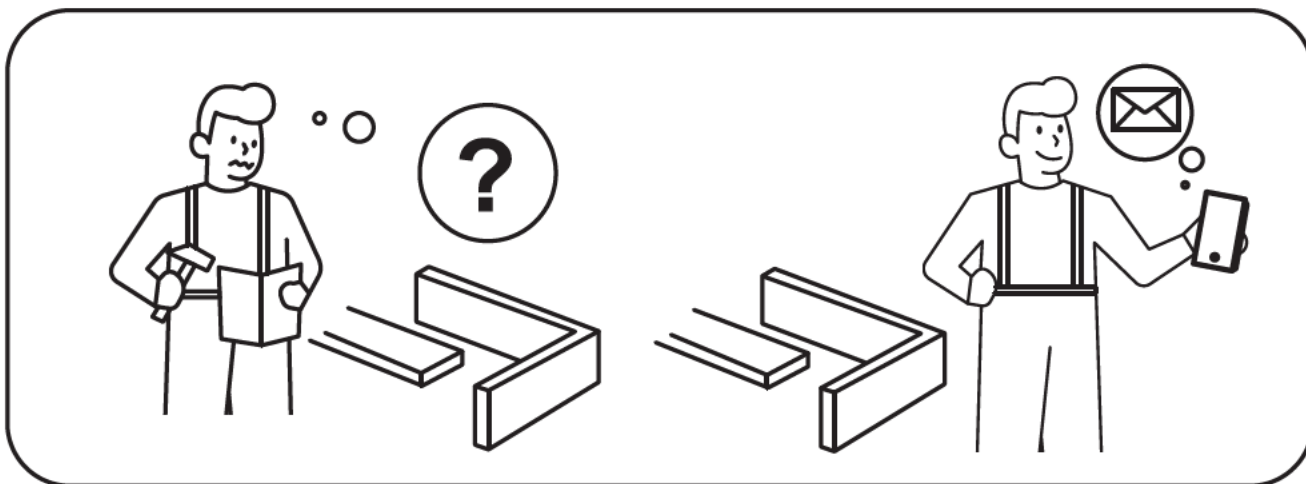
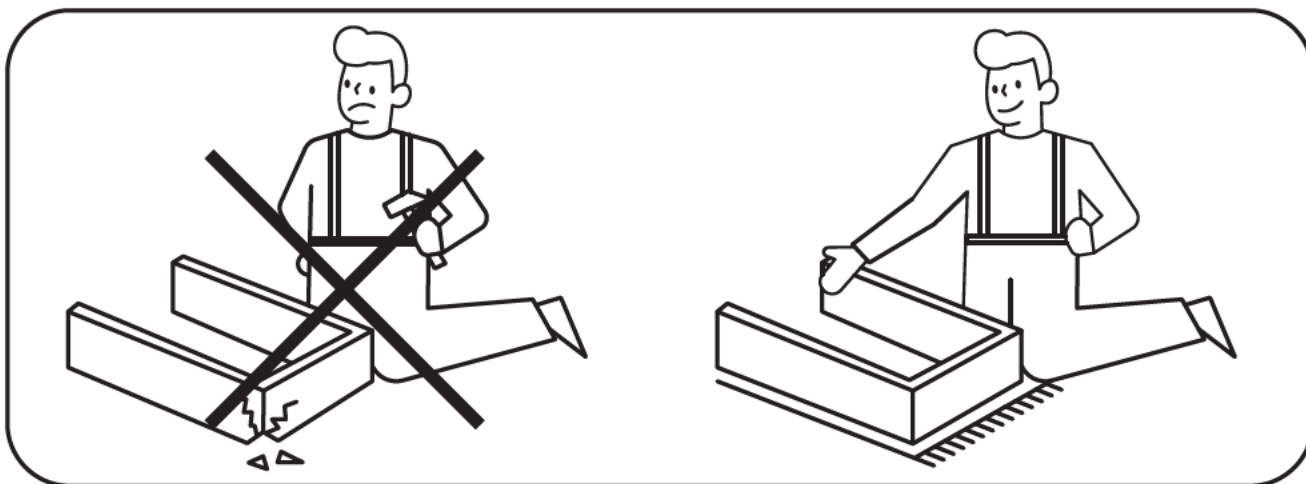
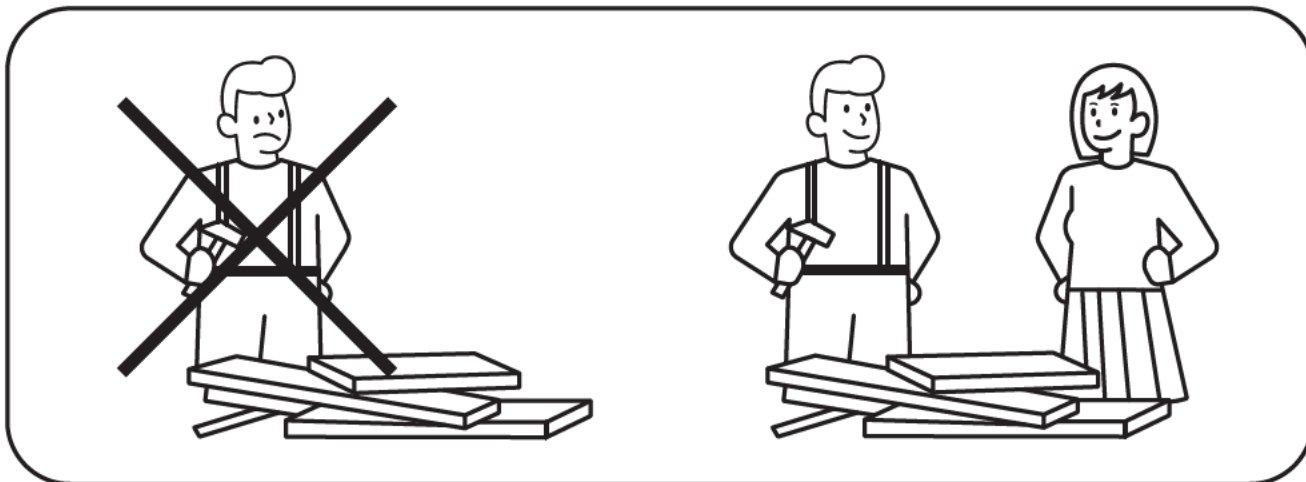
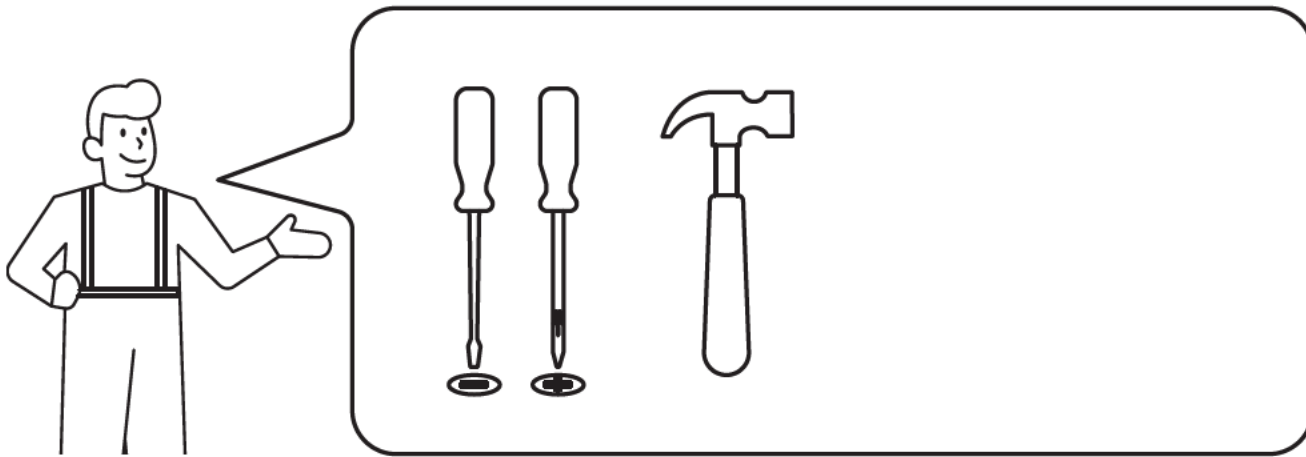
X 1

Q

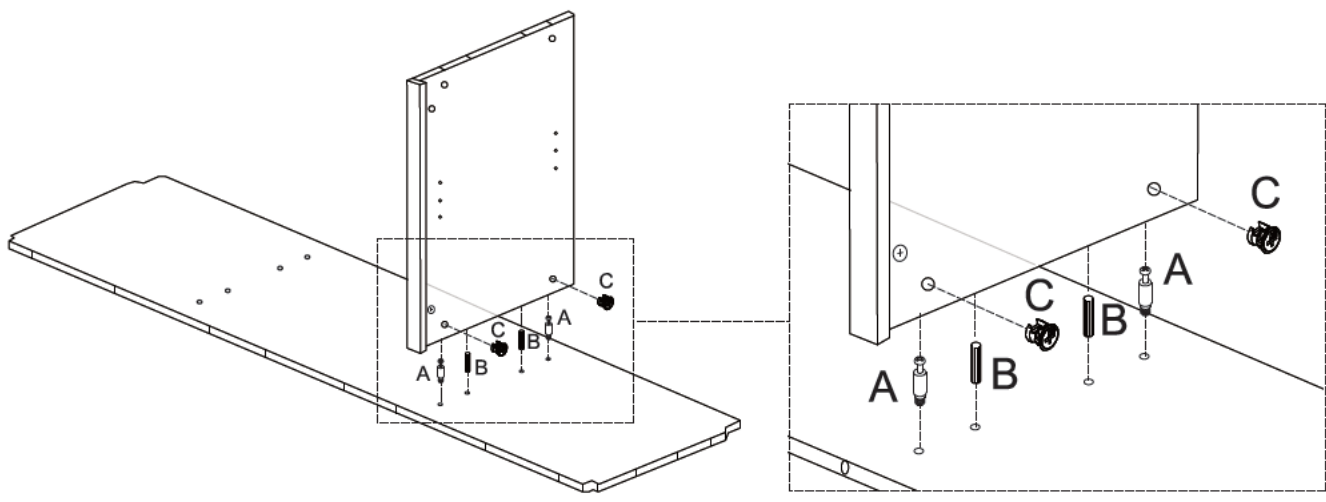


X 1

The hardware quantities listed above are required for proper assembly. Some extra hardware may also have been included.

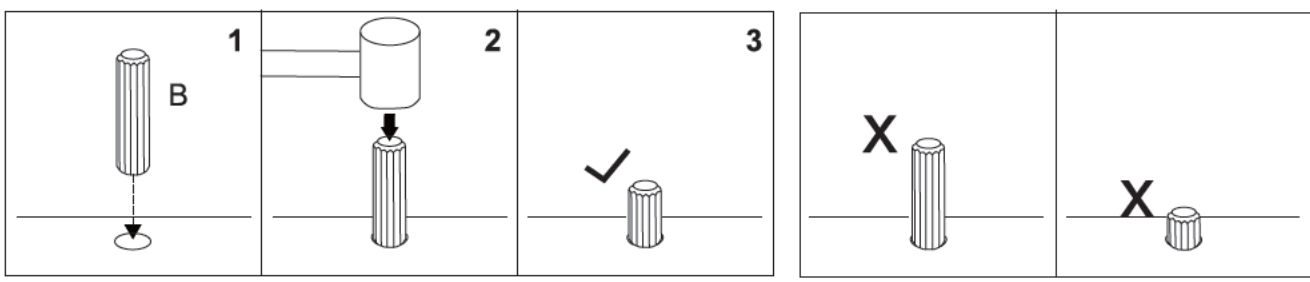


How to work the Knock Down (kd) assembly system

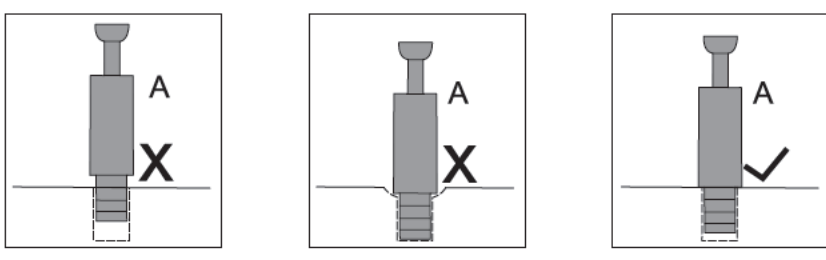


How to install Wood Dowel

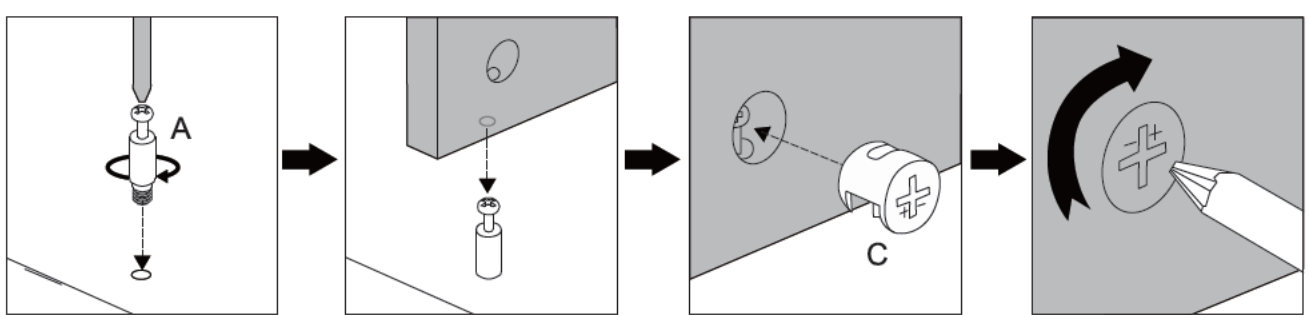
Insert the wood dowel [B] at least half way by tapping lightly with a rubber mallet, IF NECESSARY.



How to use the Cam Lock system



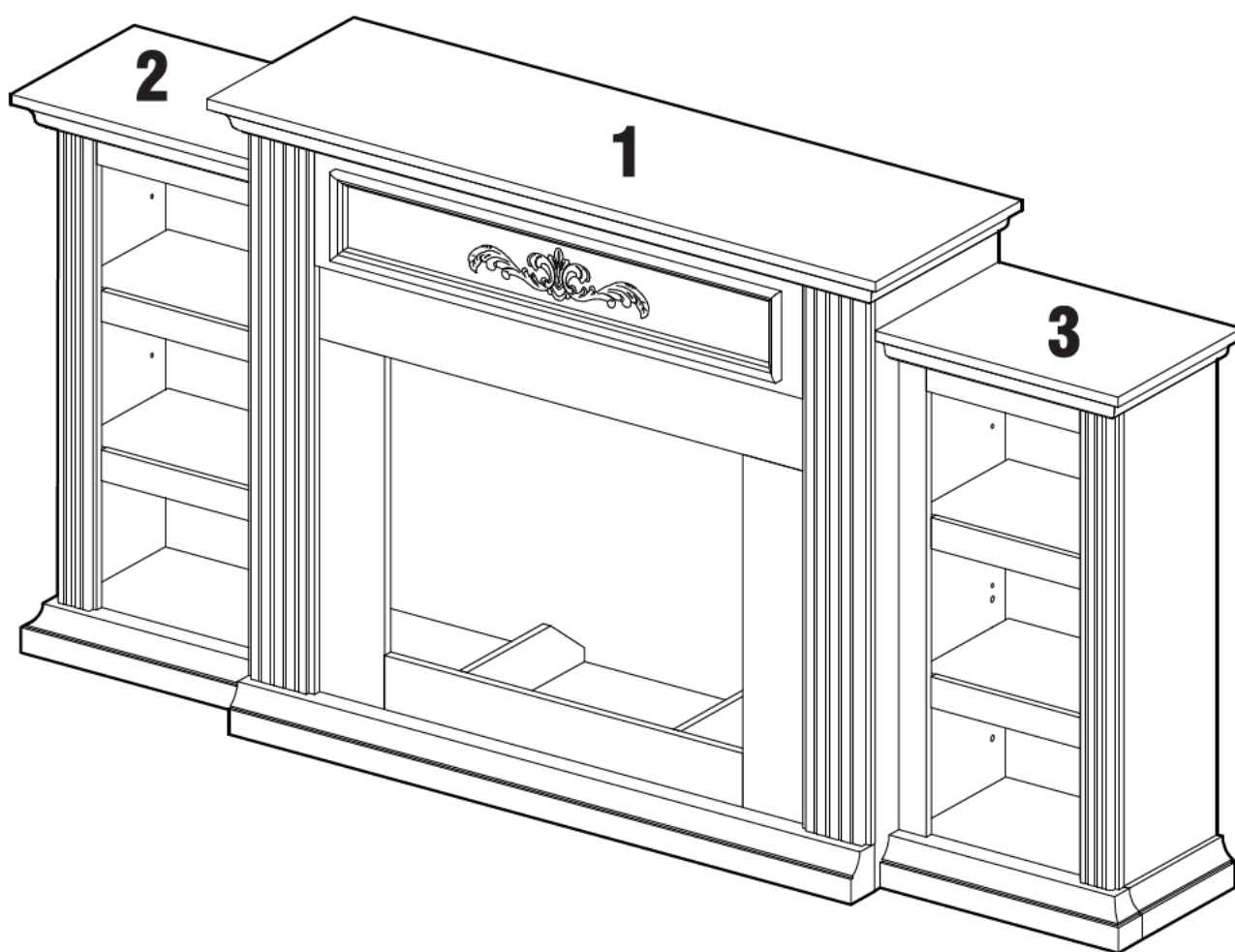
1. Screw the cam bolt [A] into the threaded insert on the panel.
2. Connect both panels together making sure cam bolt [A] goes into the pre-drilled large hole on the end of panel for cam lock [C].
3. Insert the cam lock [C] into the pre-drilled large hole on the panel. **Make sure the cross slot of cam lock [C] faces out.**
4. Rotate the cam lock [C] **clockwise** with a self-supplied philips screwdriver to lock the cam bolt [A] in place.



Now you are ready to assemble the electric fireplace mantel

It divided in to three parts in total:

- 1. Install the center part**
- 2. Install the left part**
- 3. Install the right part**

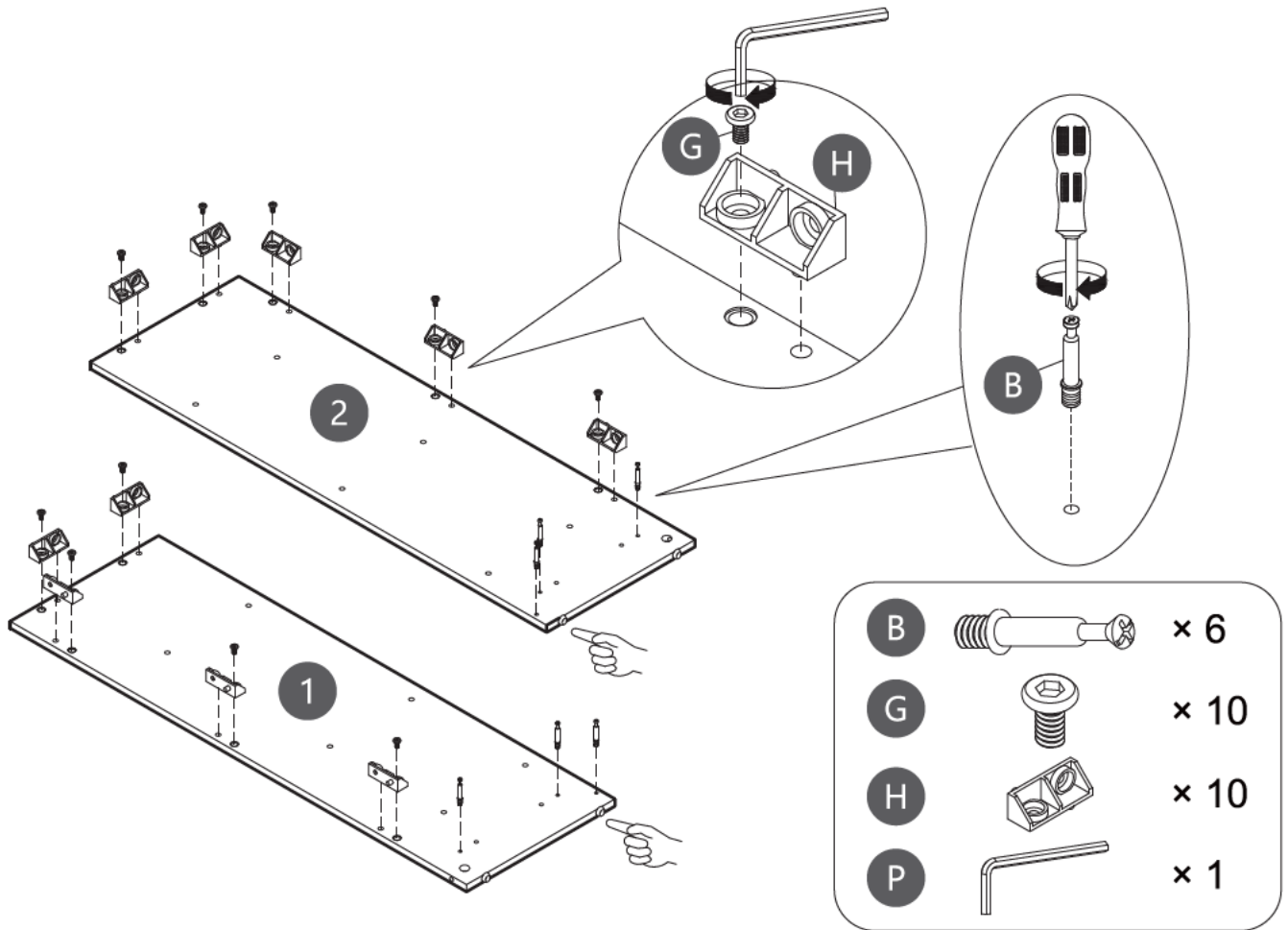


We recommend using a power drill to assemble.

Step 1

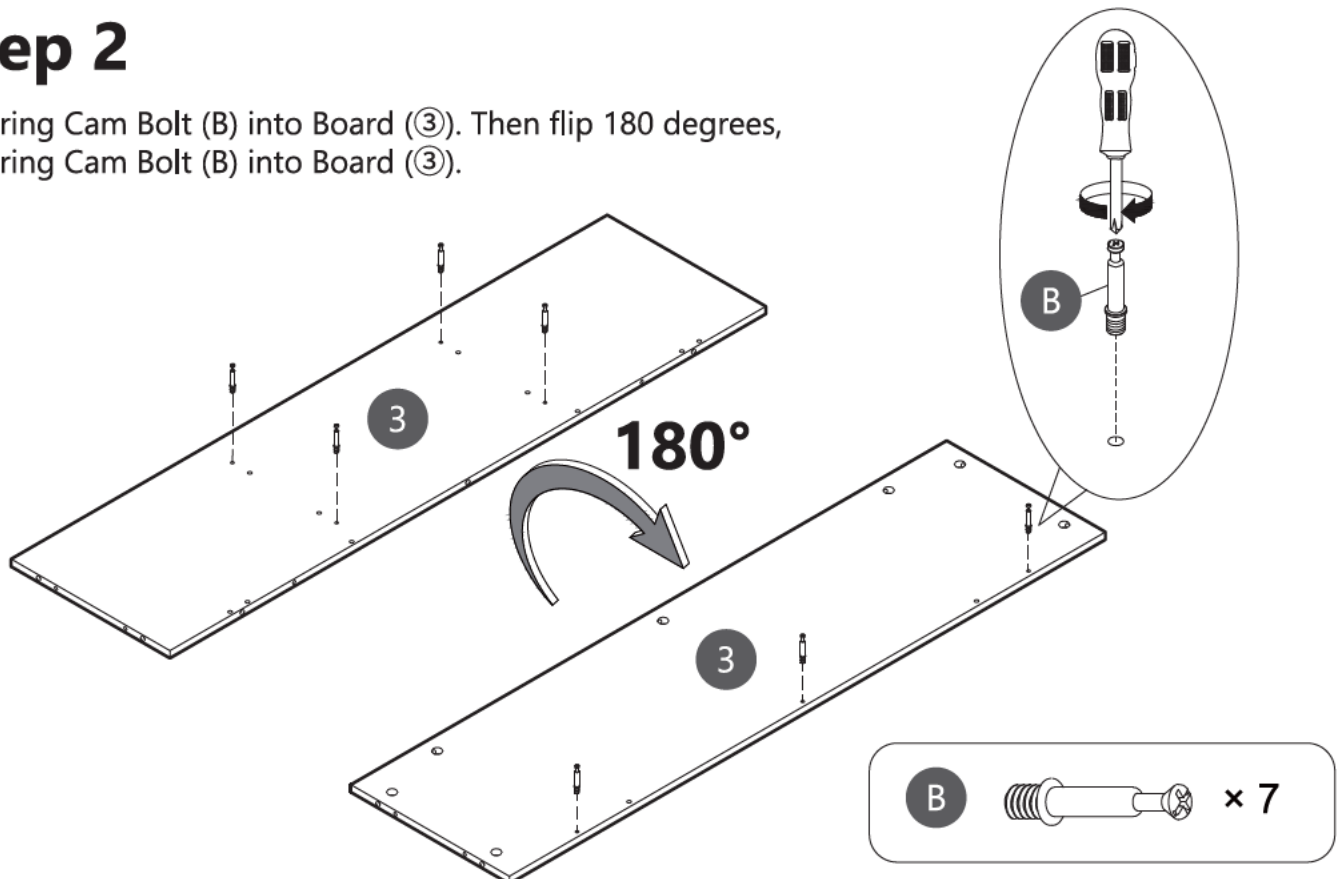
Securing Cam Bolt (B) into Board (①&②).

Using Screws (G) and a 7-Shaped Wrench (P) secure Connector (H) to Board (①&②).



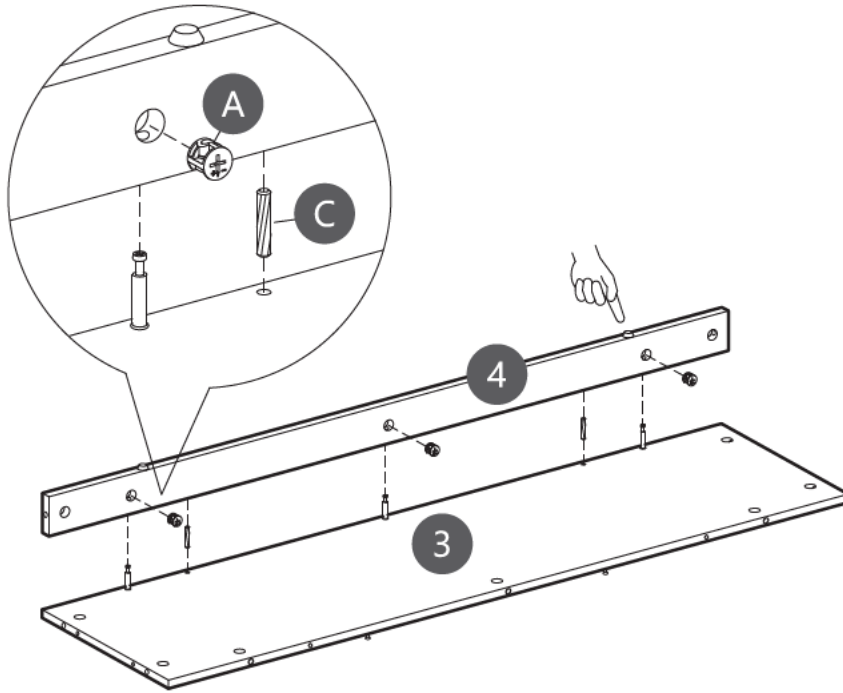
Step 2

Securing Cam Bolt (B) into Board (③). Then flip 180 degrees, Securing Cam Bolt (B) into Board (③).



Step 3

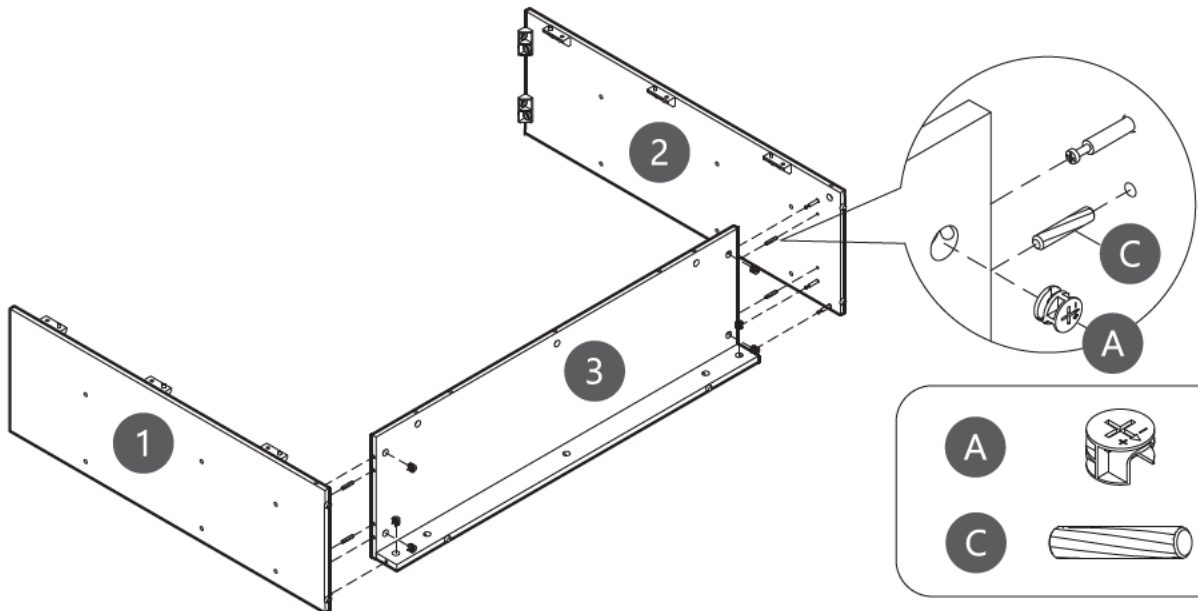
Inserting Wooden Dowel (C) into Board (3), then attach Board (4) to Board (3).
Using Cam Lock (A) secure Board (4) to Board (3).



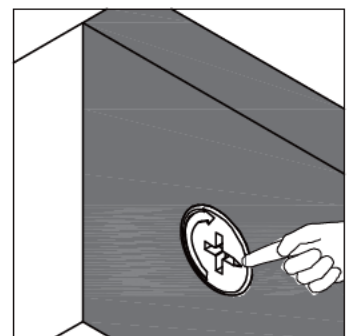
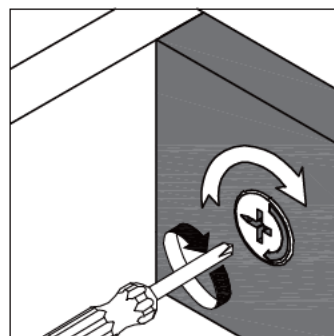
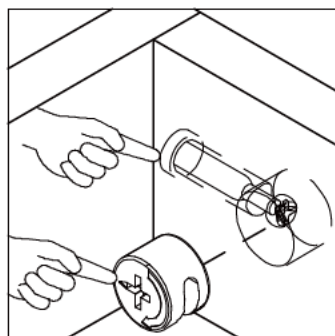
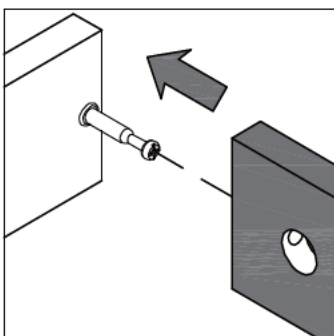
A		× 3
C		× 2

Step 4

Inserting Wooden Dowel (C) into Board (3), then attach Board (1&2) to Board (3).
Using Cam Lock (A) secure Board (1&2) to Board (3).

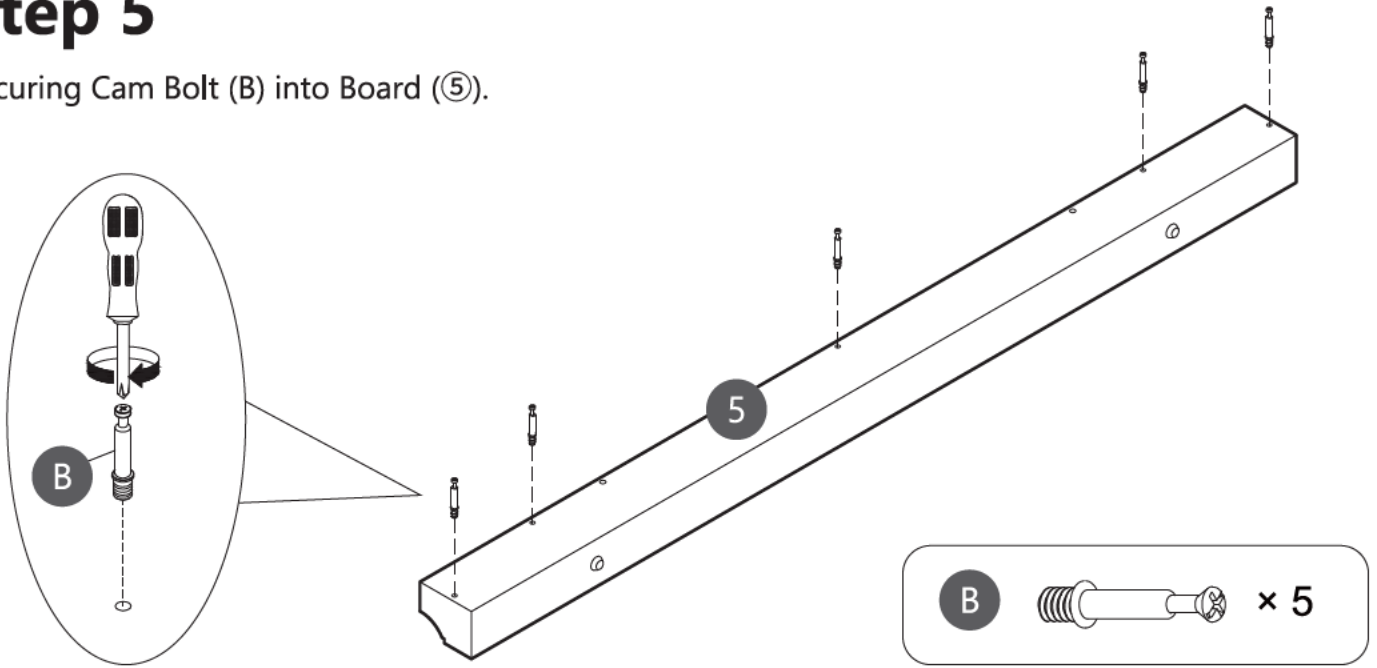


A		× 6
C		× 4



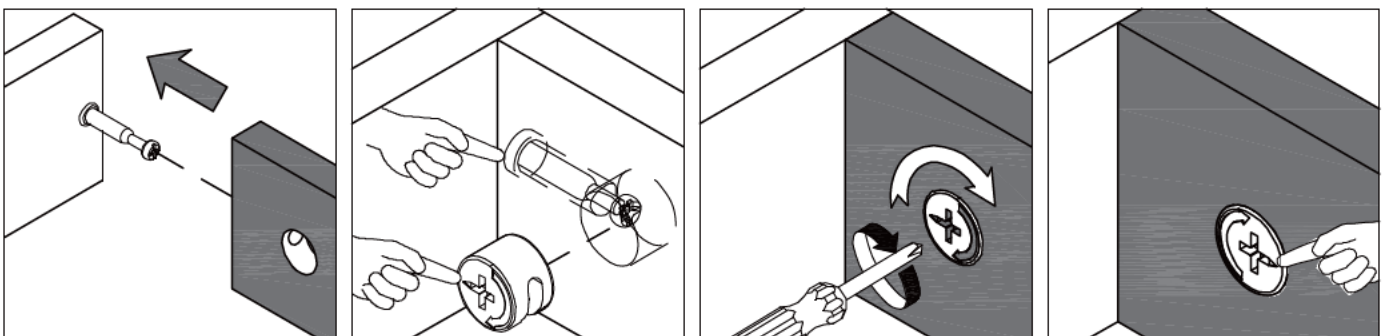
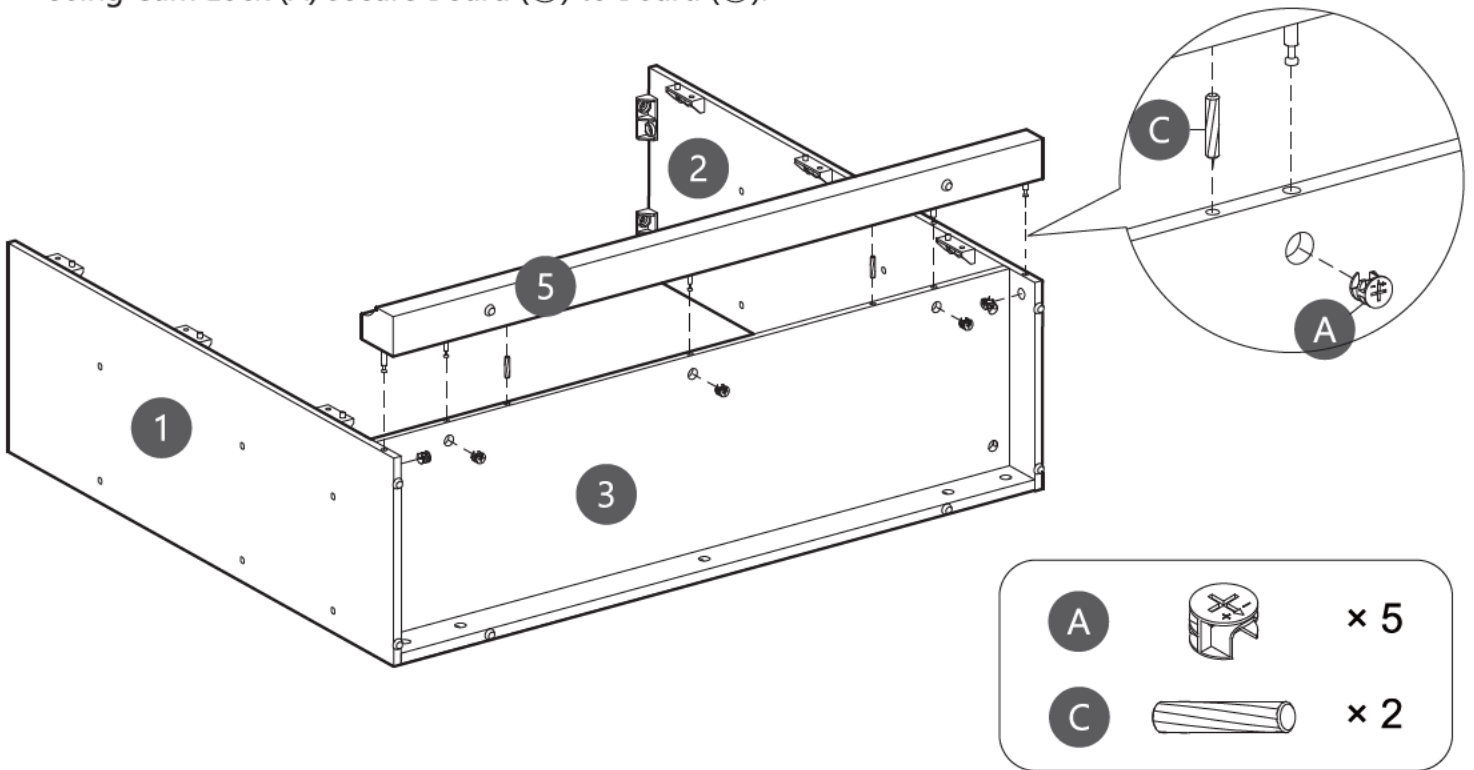
Step 5

Securing Cam Bolt (B) into Board (5).



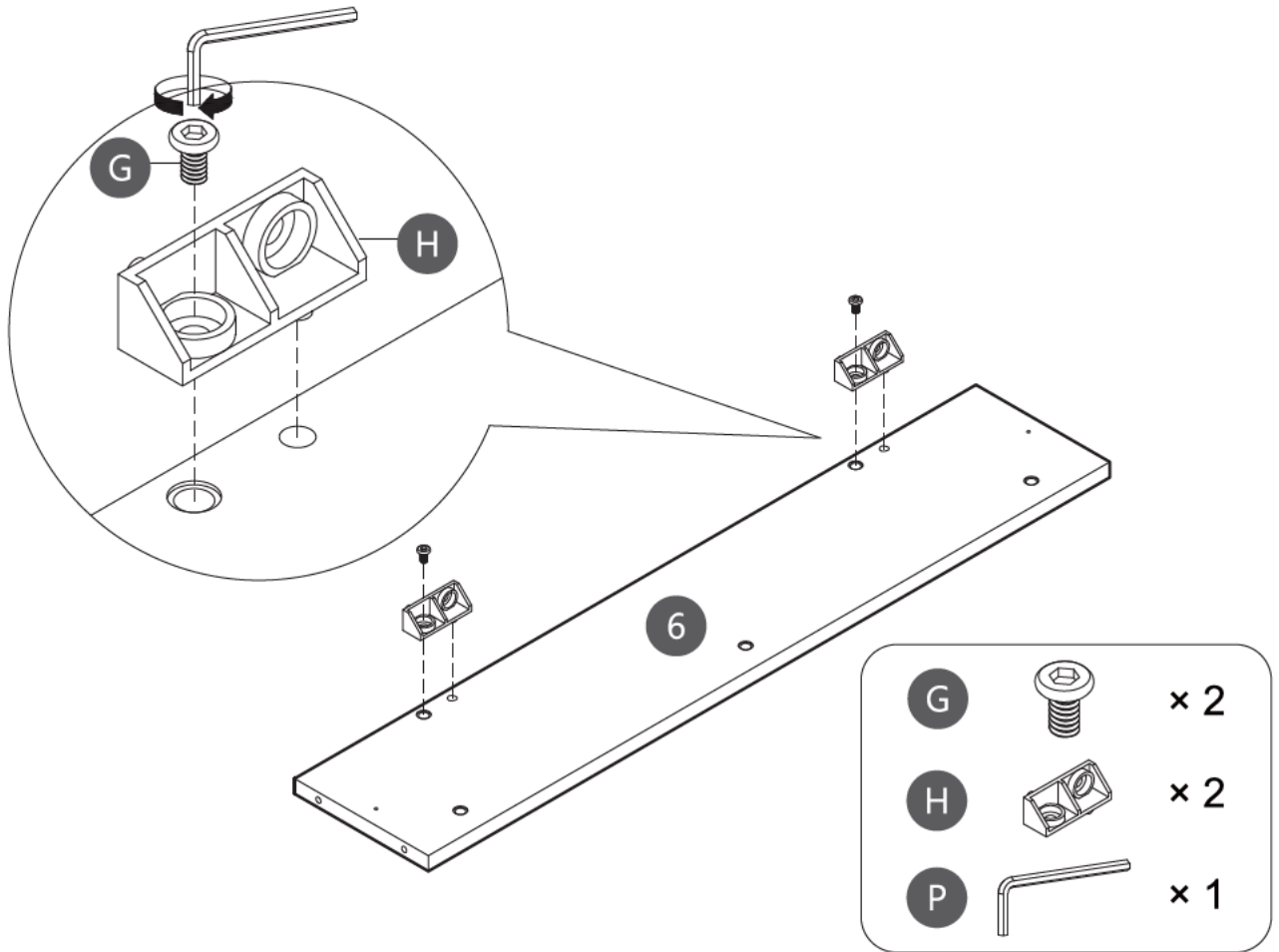
Step 6

Inserting Wooden Dowel (C) into Board (3), then attach Board (5) to Board (3).
Using Cam Lock (A) secure Board (5) to Board (3).



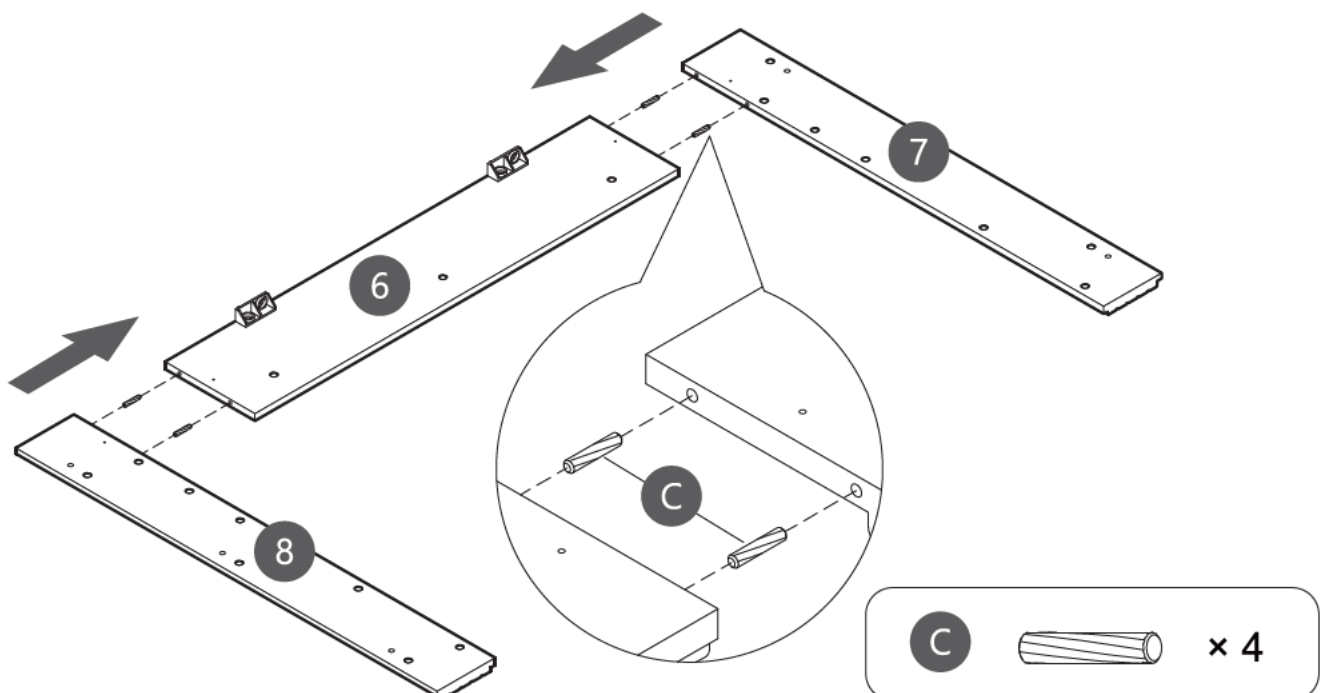
Step 7

Using Screws (G) and a 7-Shaped Wrench (P) secure Connector (H) to Board (6).



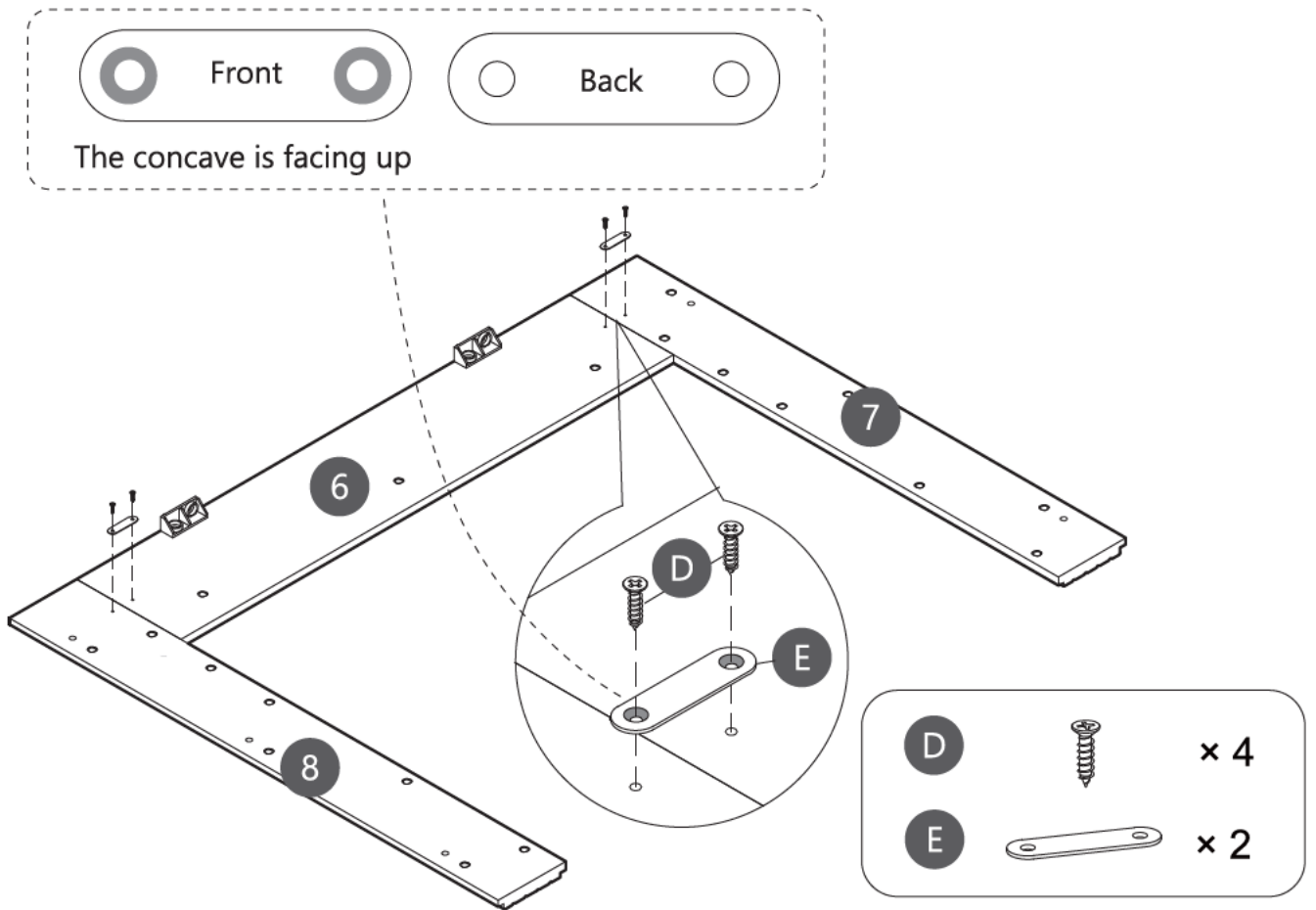
Step 8

Inserting Wooden Dowel (C) into Board (6), then attach Board (7&8) to Board (6).



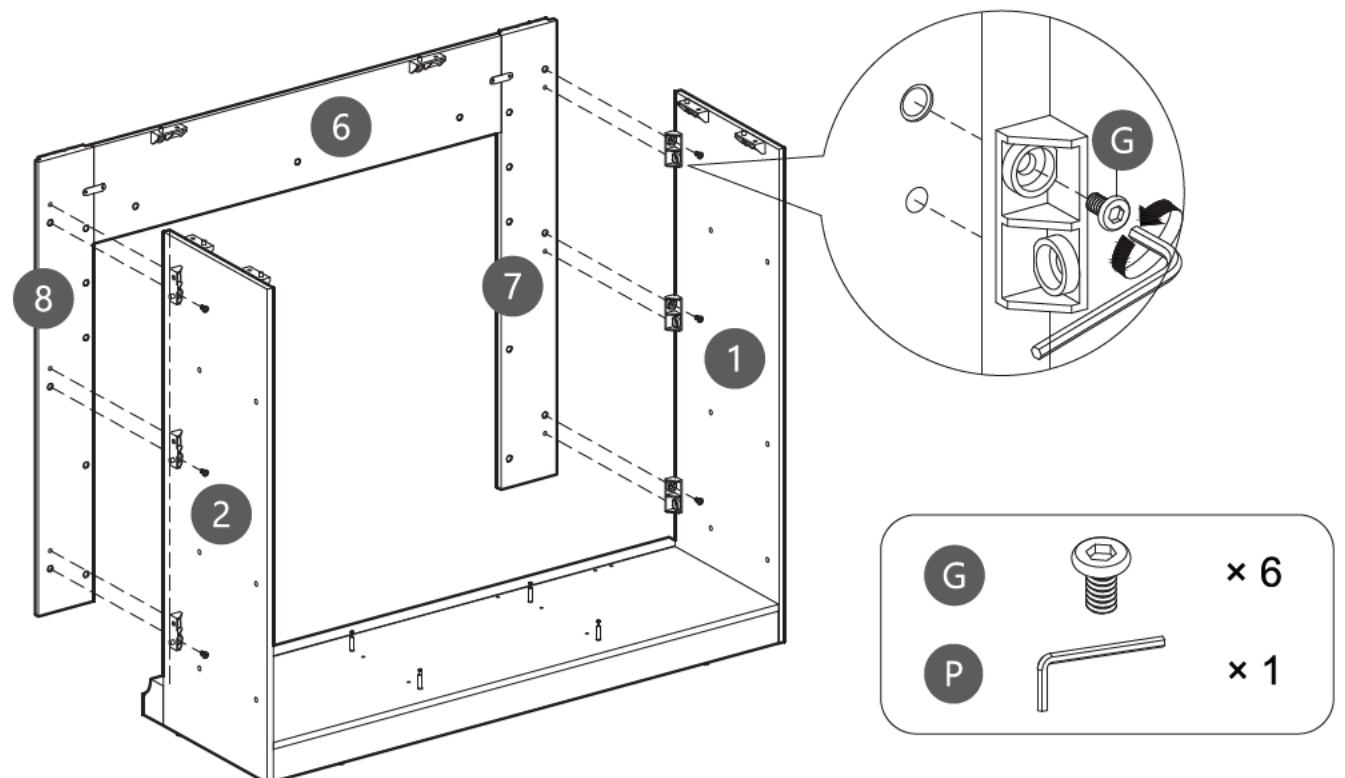
Step 9

Using Screws (D) secure Connector (E) to Board (⑥&⑦) and Board (⑥&⑧).



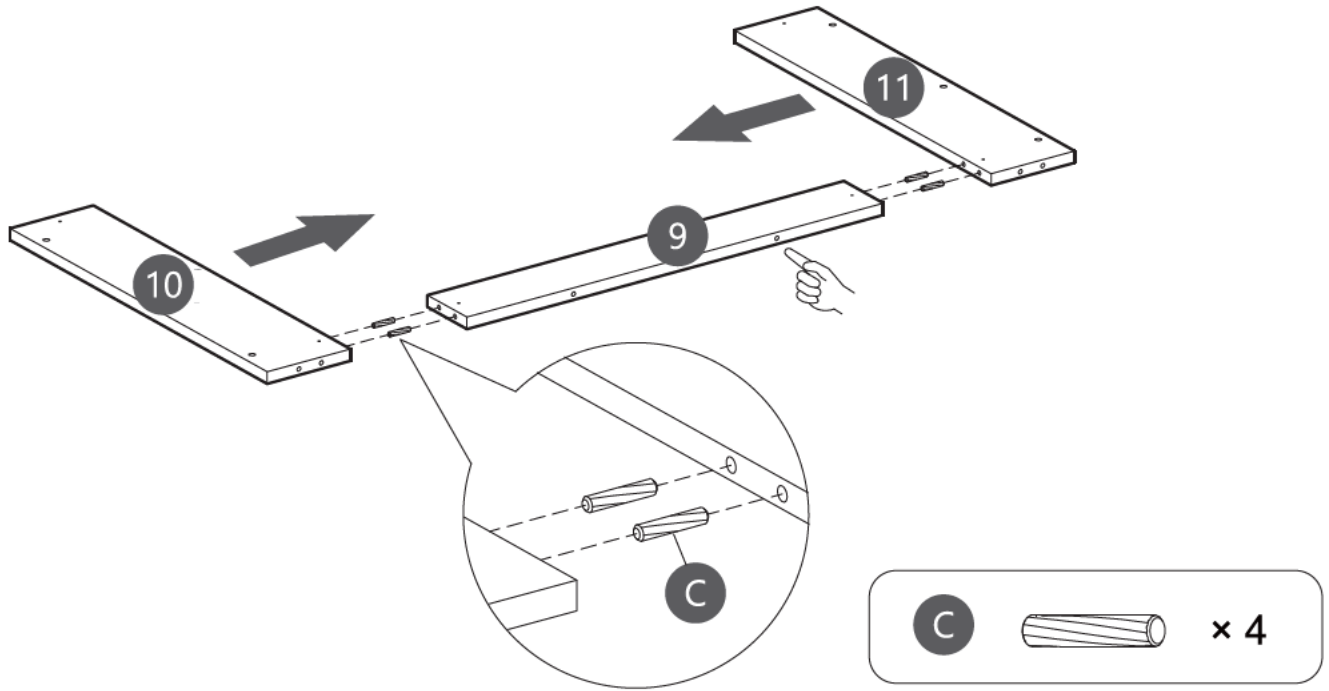
Step 10

Using Screws (G) and a 7-Shaped Wrench (P) secure Board (①&②) to Board (⑦&⑧).



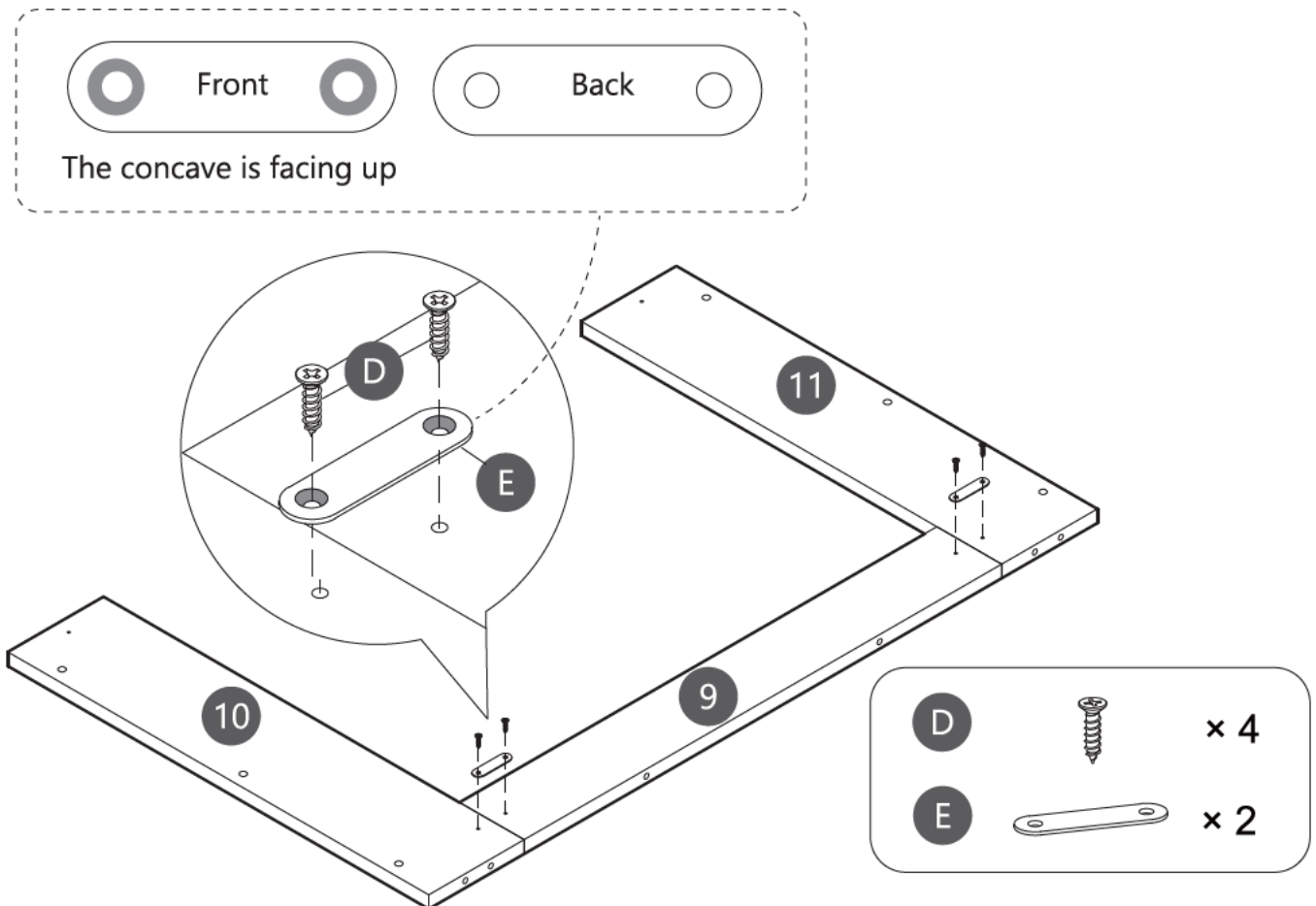
Step 11

Inserting Wooden Dowel (C) into Board (9), then attach Board (10&11) to Board (9).



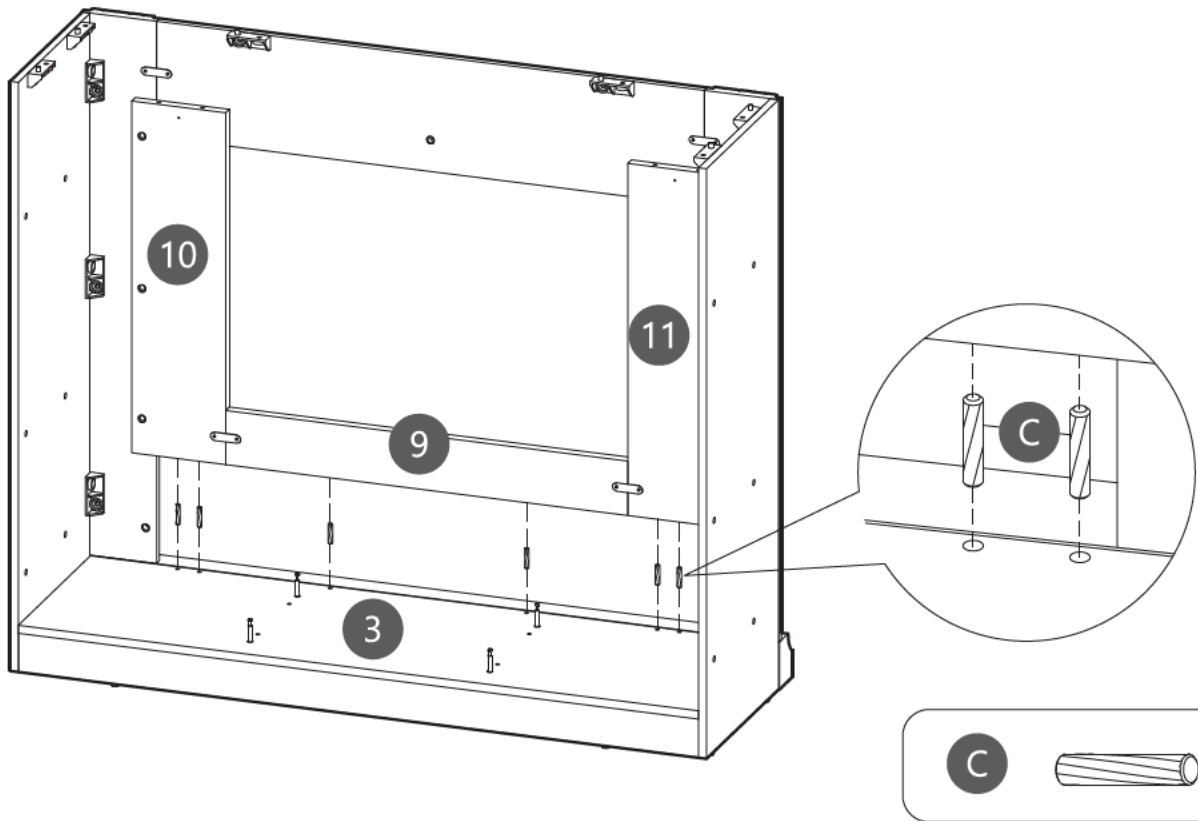
Step 12

Using Screws (D) secure Connector (E) to Board (9&10) and Board (9&11).



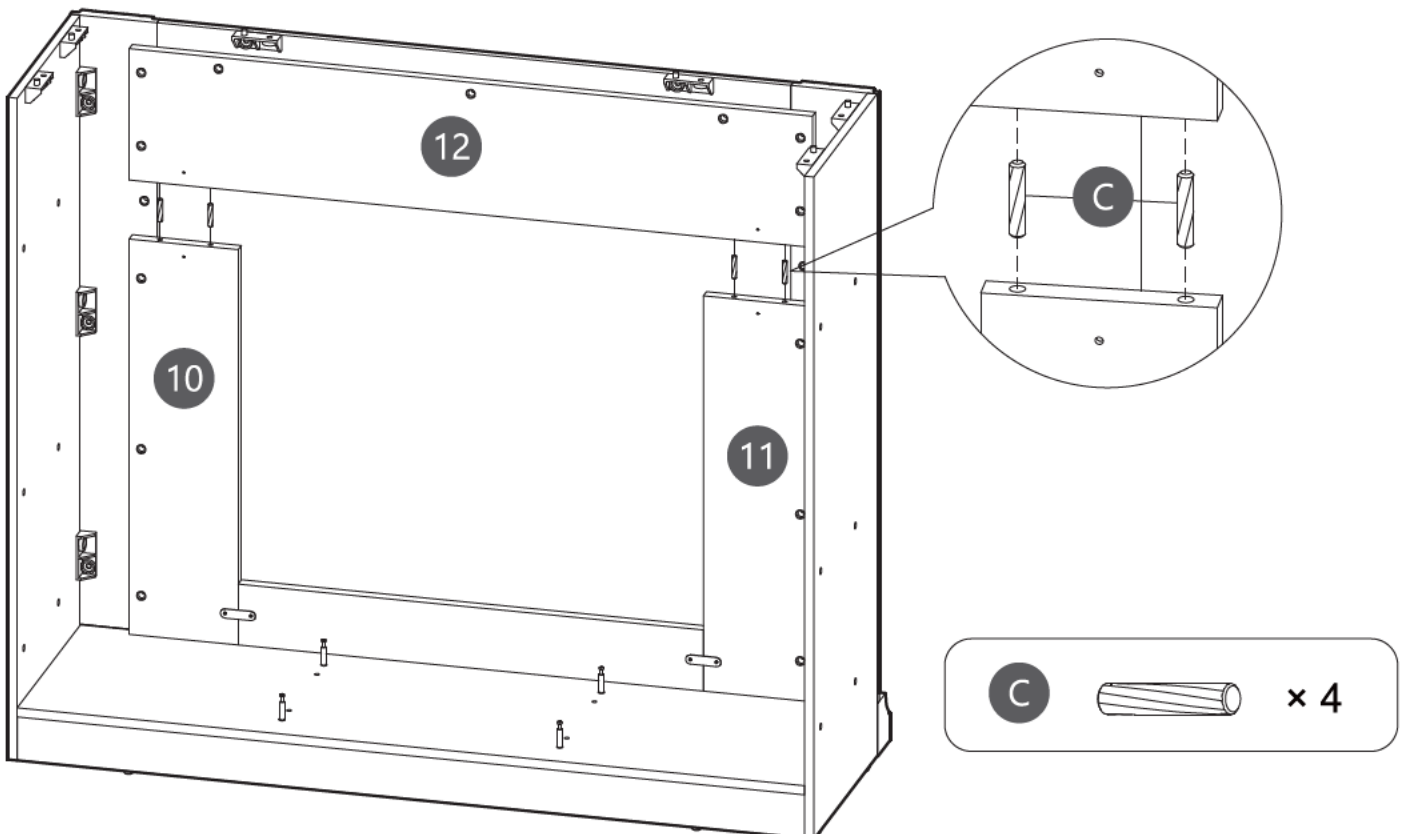
Step 13

Inserting Wooden Dowel (C) into Board (③), then attach Board (⑨) to Board (③).



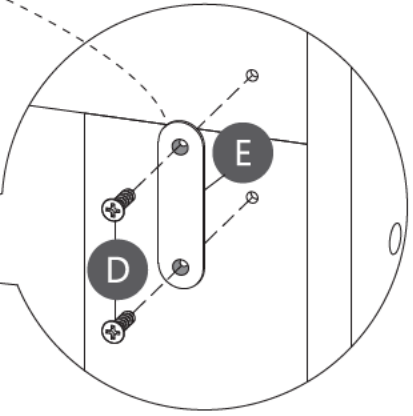
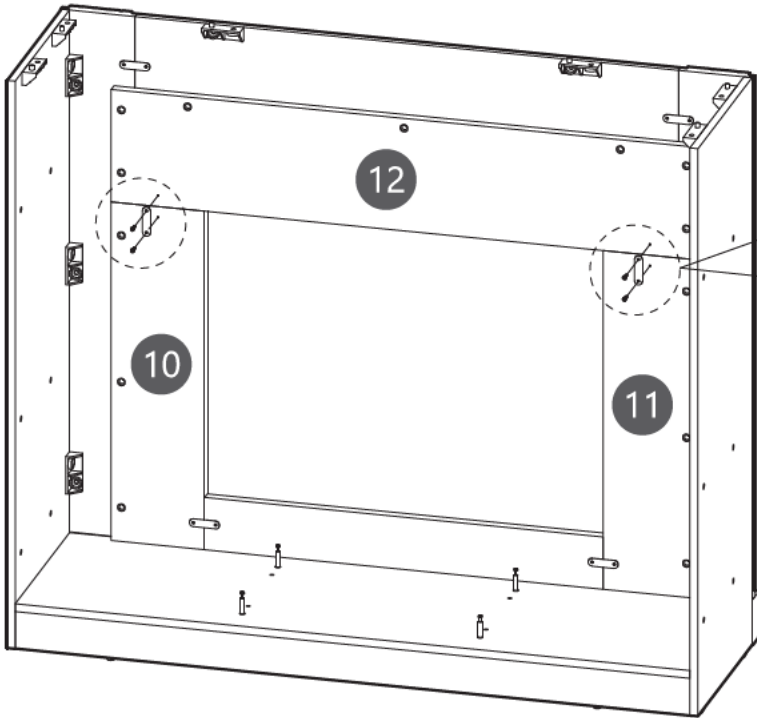
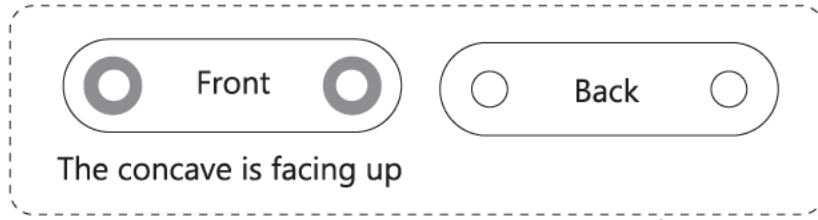
Step 14



Inserting Wooden Dowel (C) into Board (⑩&⑪), then attach Board (⑫) to Board (⑩&⑪).



Step 15

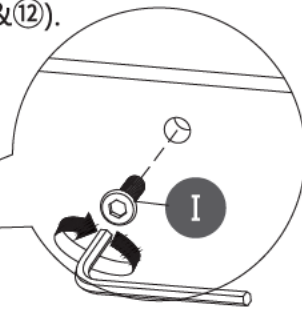
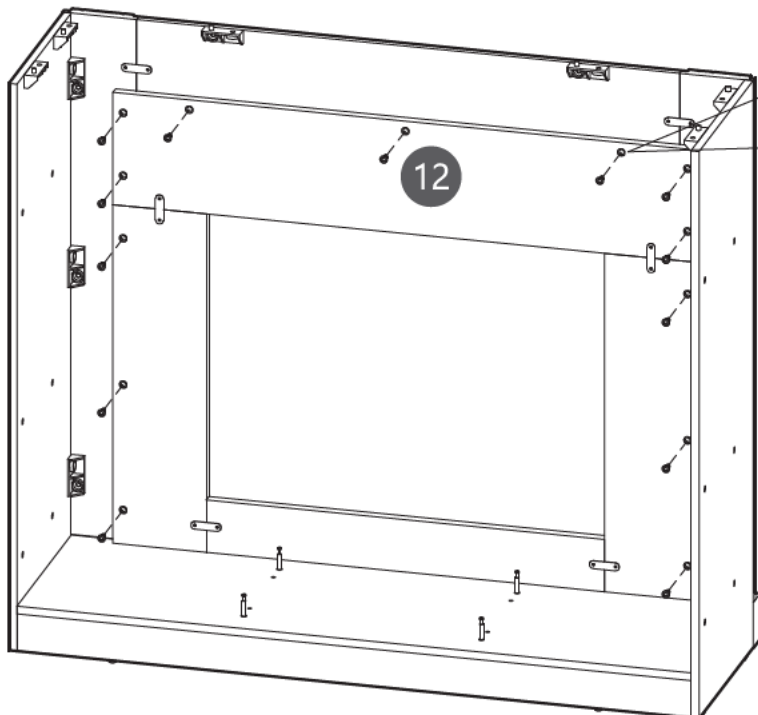
Using Screws (D) secure Connector (E) to Board (10&12) and Board (11&12).





- | | | |
|---|---|-----|
| D |  | × 4 |
| E |  | × 2 |

Step 16

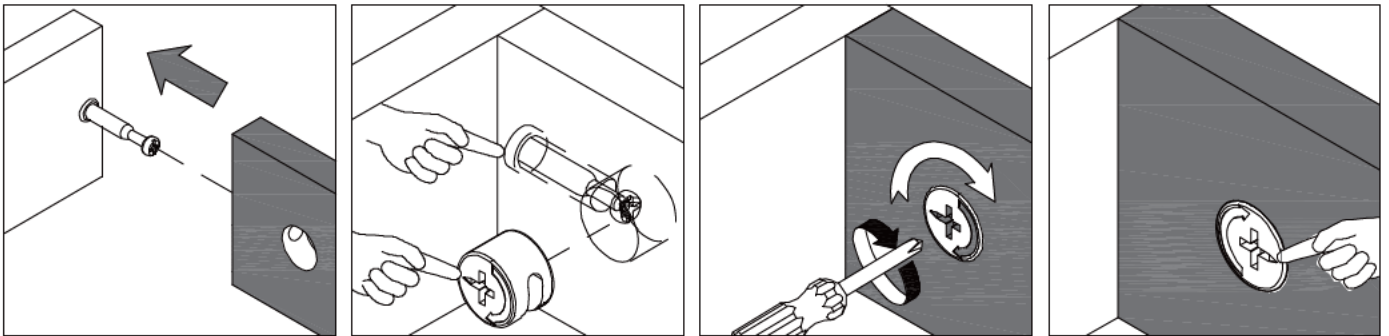
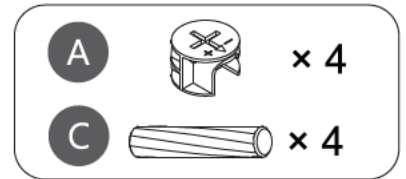
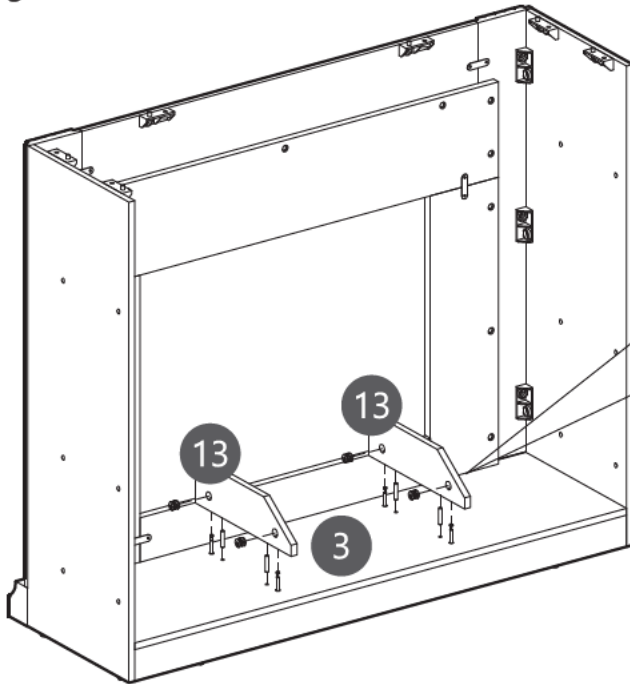
Securing Screws (I) and a 7-Shaped Wrench (P) into Board (10&11&12).



- | | | |
|---|---|------|
| I |  | × 13 |
| P |  | × 1 |

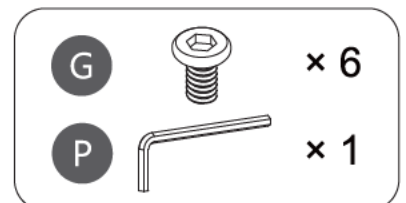
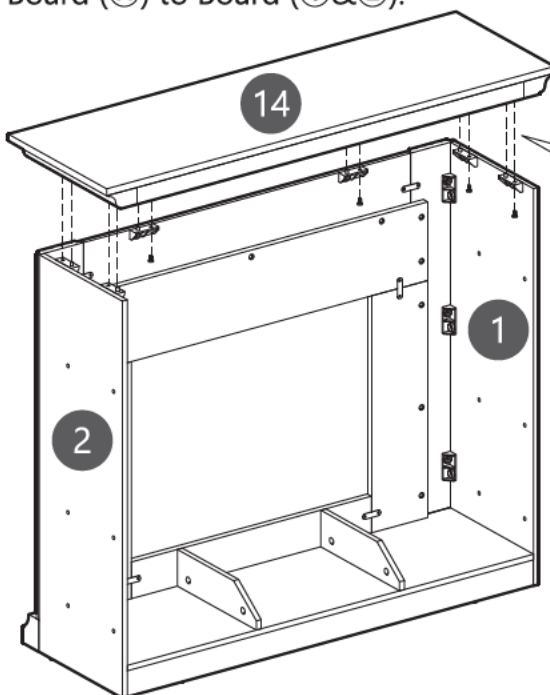
Step 17

Inserting Wooden Dowel (C) into Board (⑬), then attach Board (⑬) to Board (③).
Using Cam Lock (A) secure Board (⑬) to Board (③).



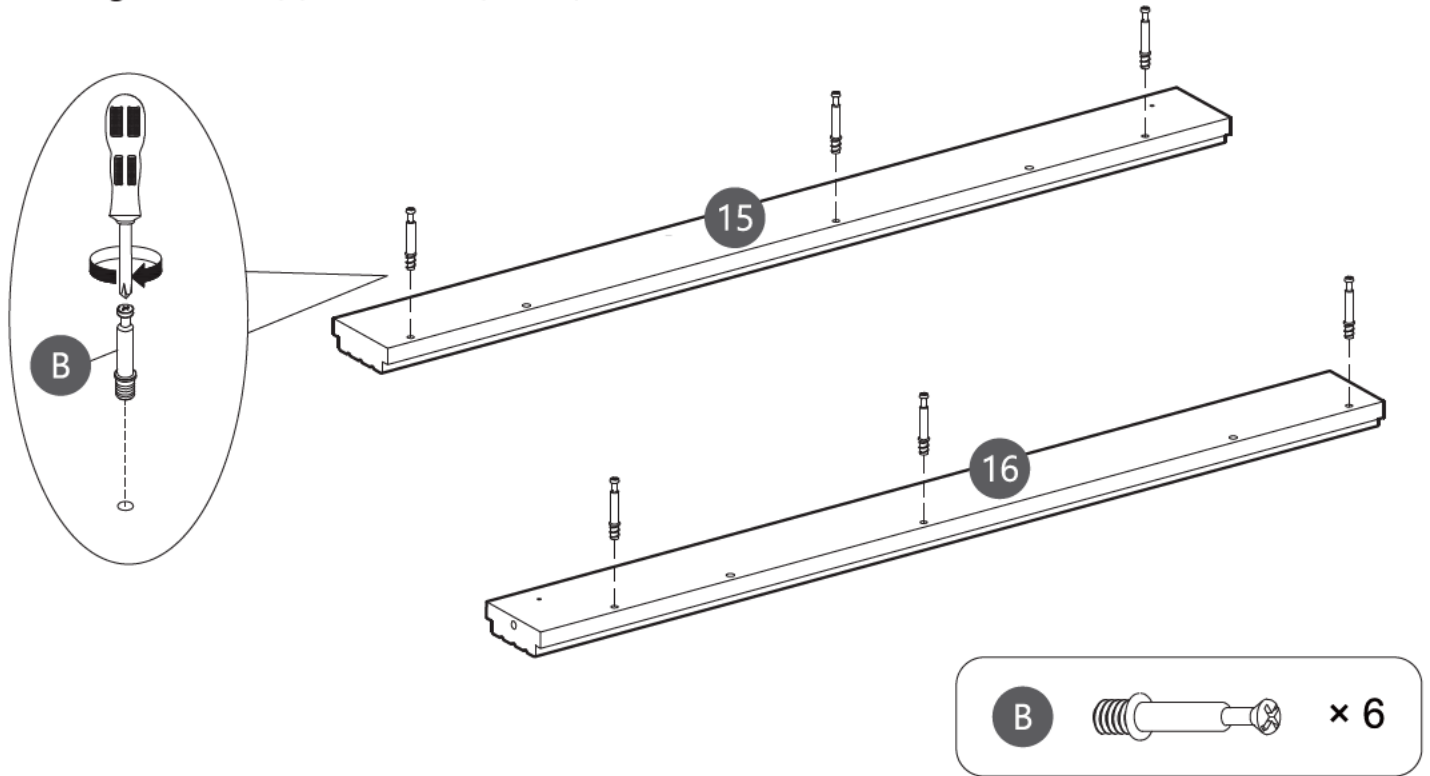
Step 18

Securing Screws (G) and a 7-Shaped Wrench (P) Through Connector (H) secure Board (⑭) to Board (①&②).



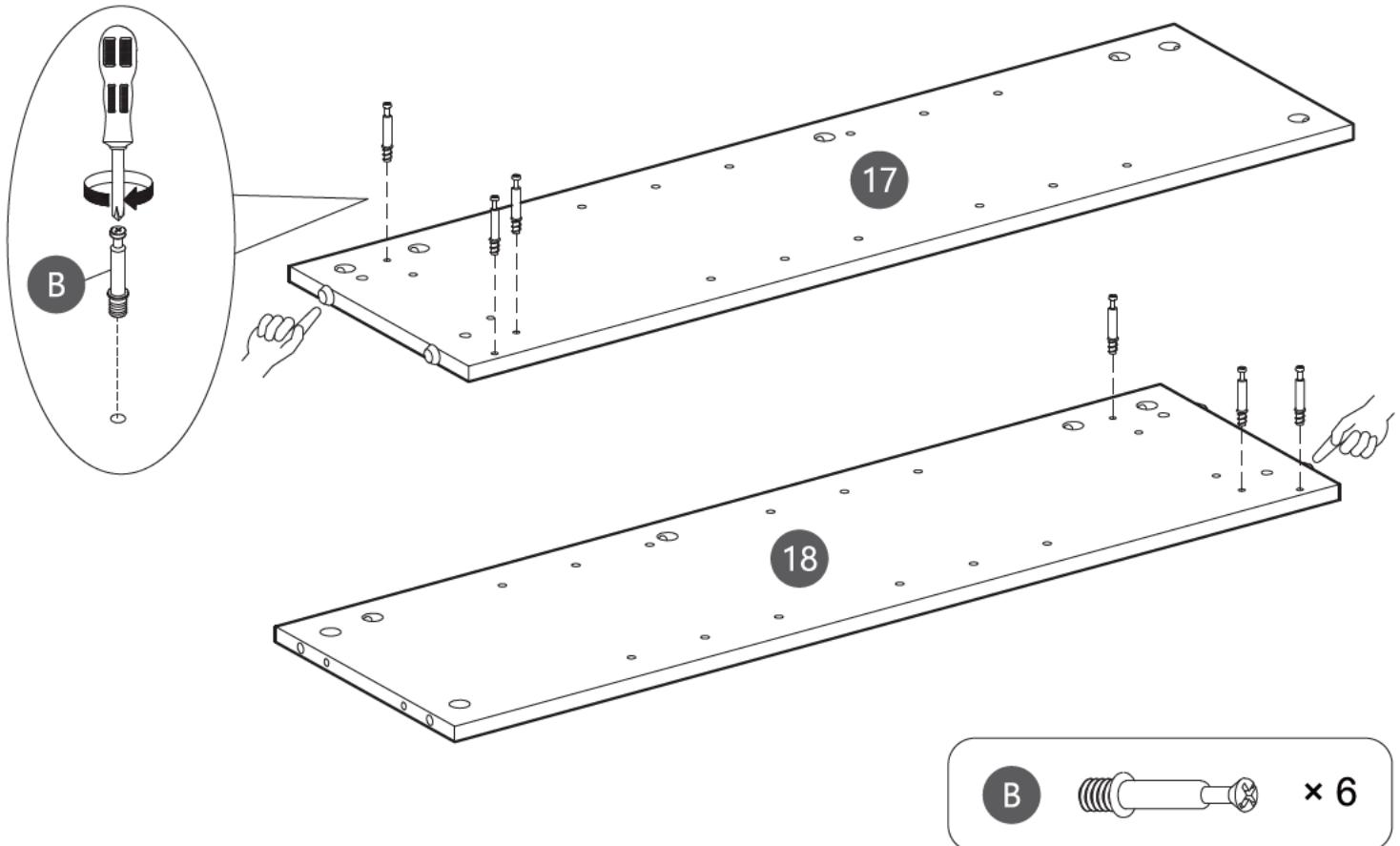
Step 19

Securing Cam Bolt (B) into Board (15&16).



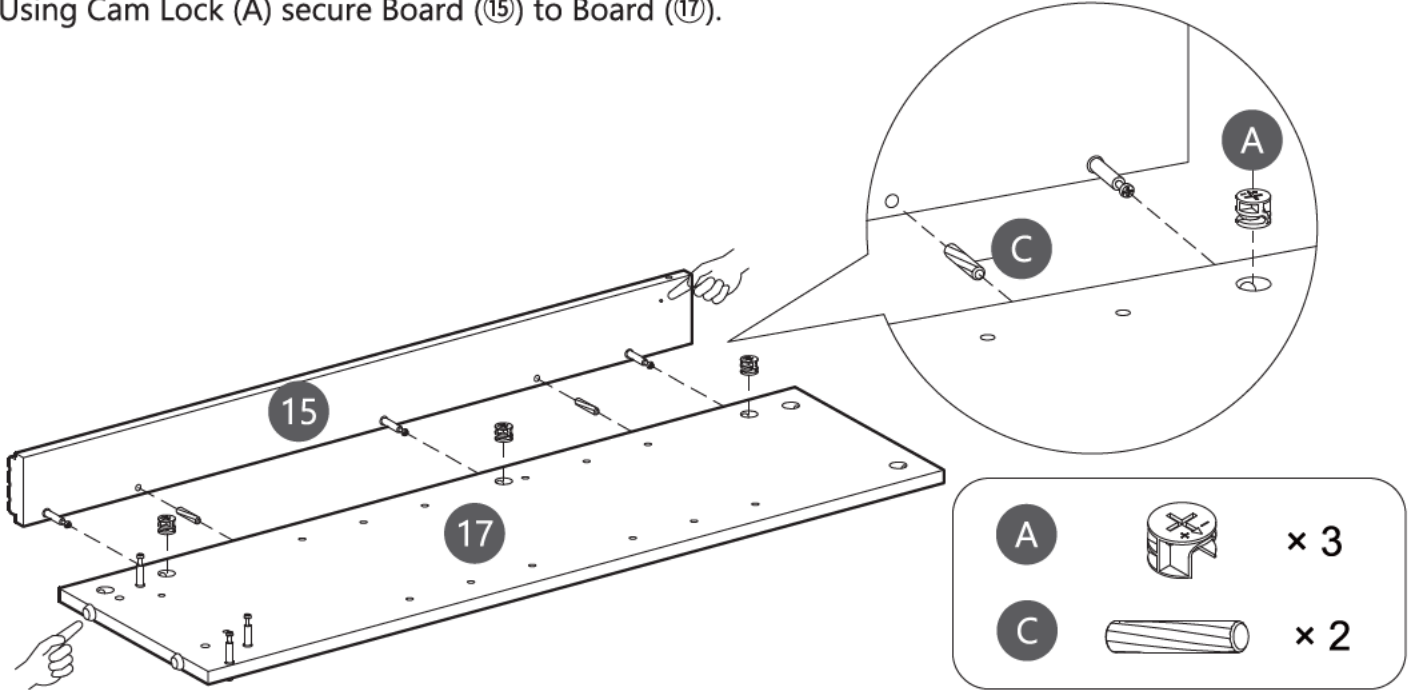
Step 20

Securing Cam Bolt (B) into Board (17&18).



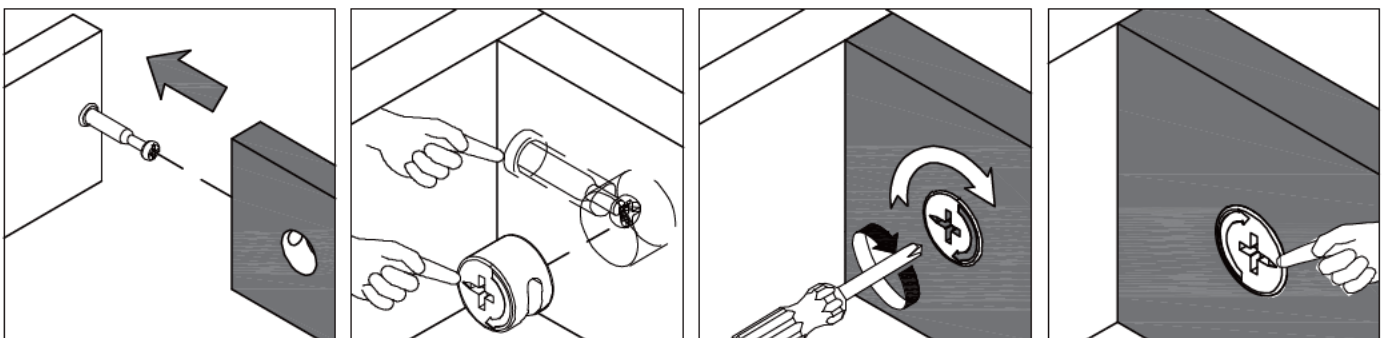
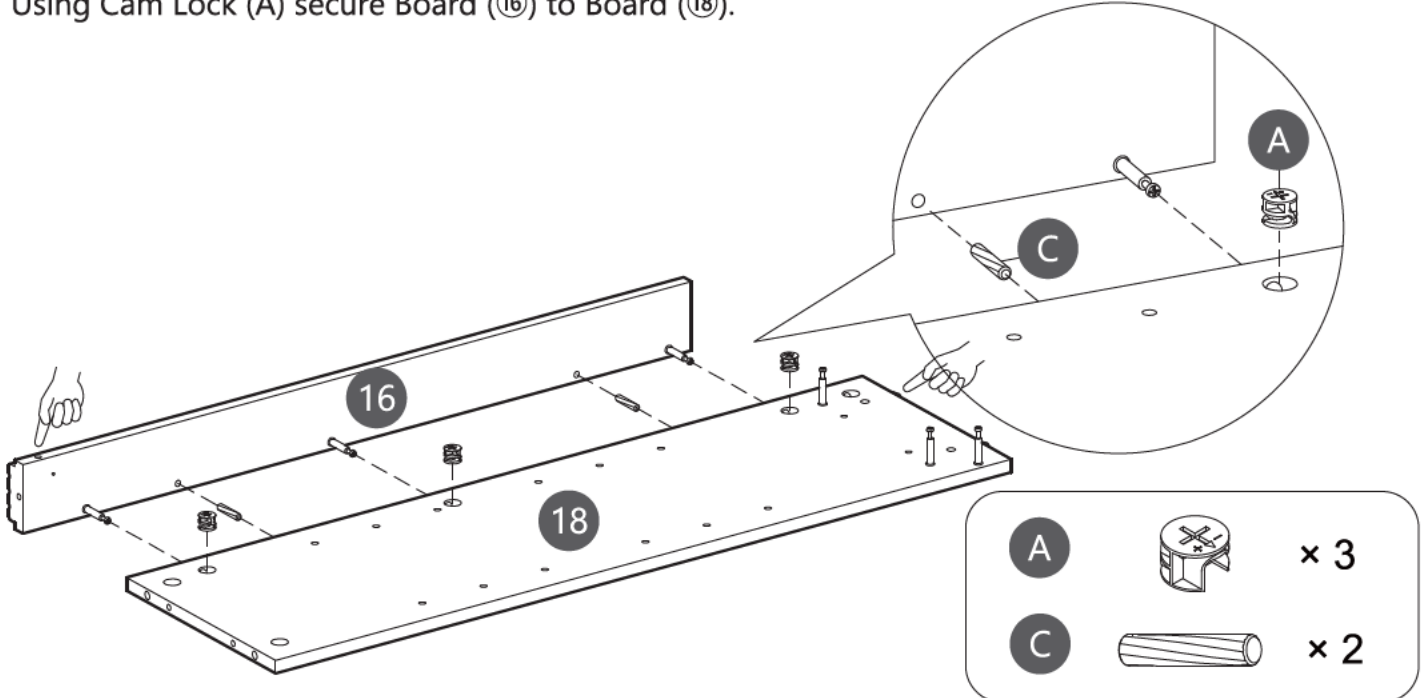
Step 21

Inserting Wooden Dowel (C) into Board (17), then attach Board (15) to Board (17).
Using Cam Lock (A) secure Board (15) to Board (17).



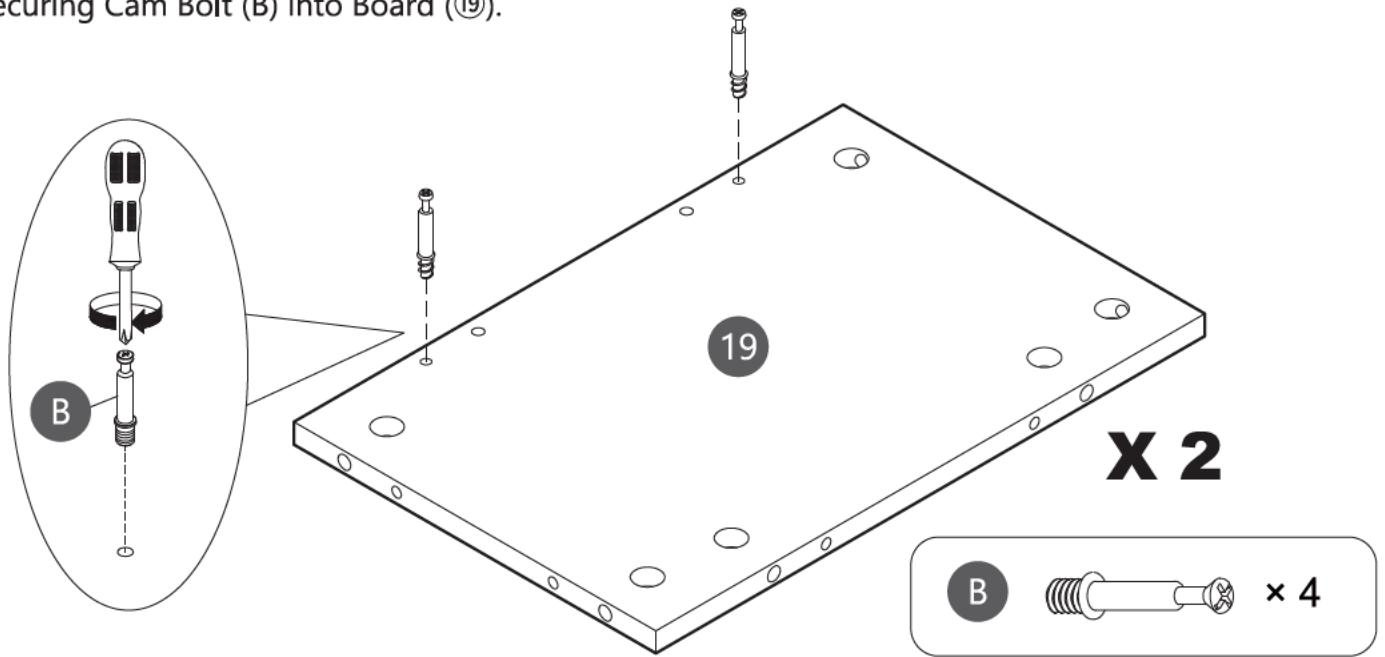
Step 22

Inserting Wooden Dowel (C) into Board (18), then attach Board (16) to Board (18).
Using Cam Lock (A) secure Board (16) to Board (18).



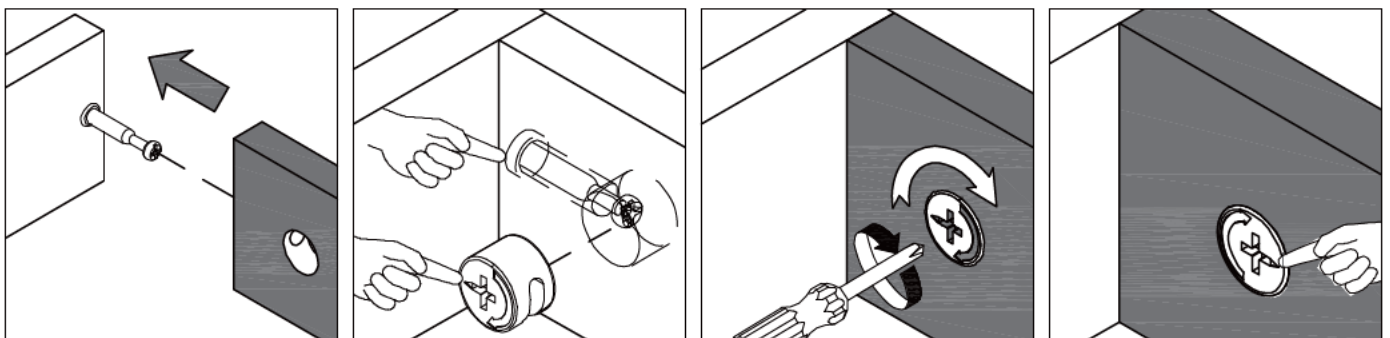
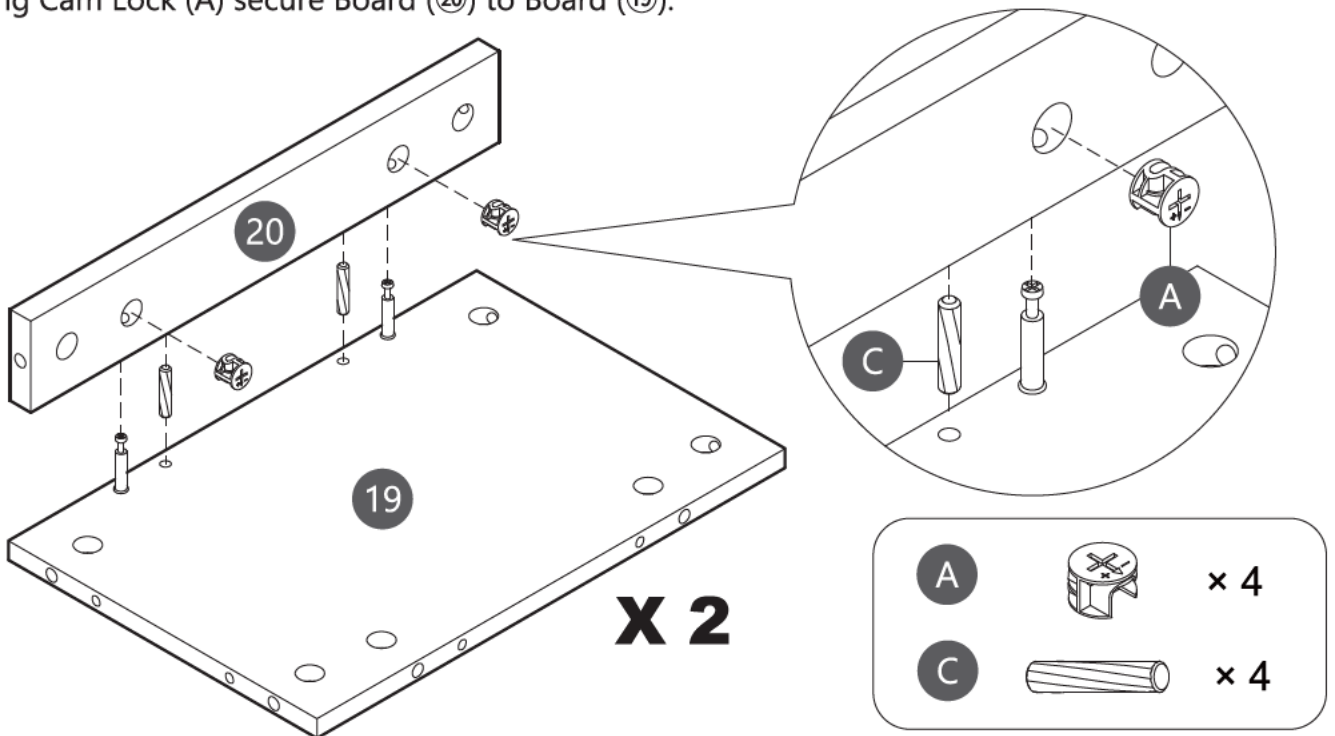
Step 23

Securing Cam Bolt (B) into Board (19).



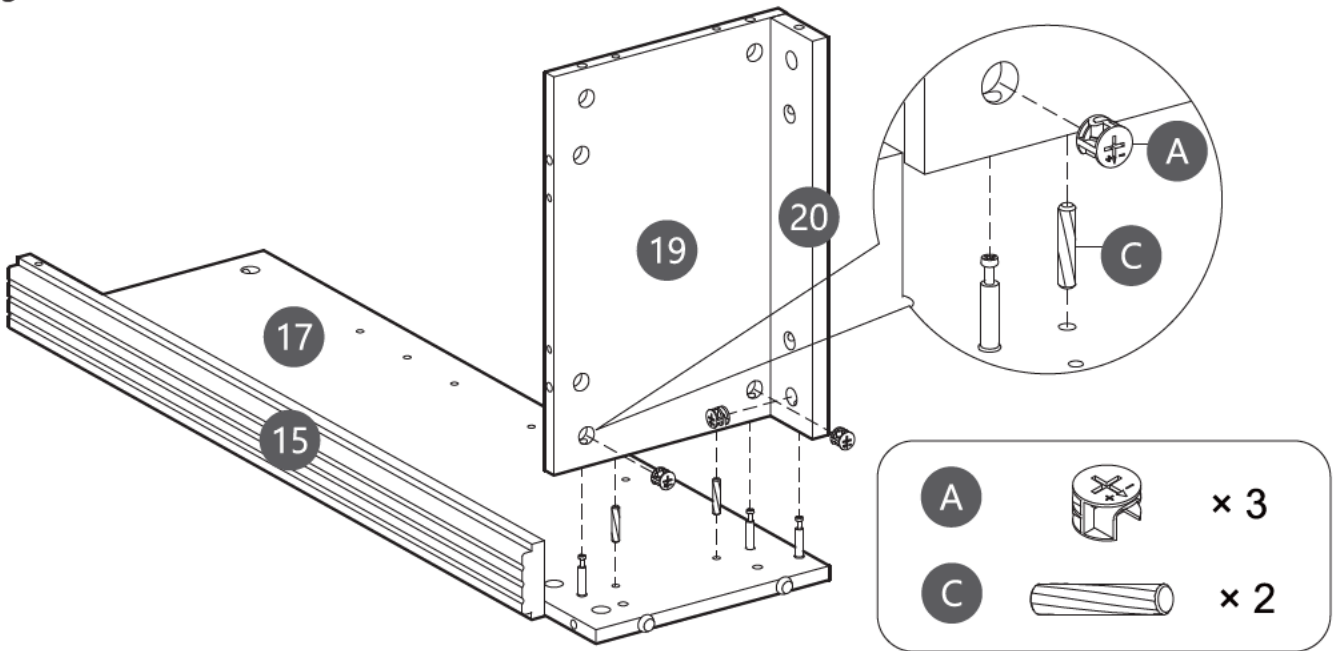
Step 24

Inserting Wooden Dowel (C) into Board (19), then attach Board (20) to Board (19).
Using Cam Lock (A) secure Board (20) to Board (19).



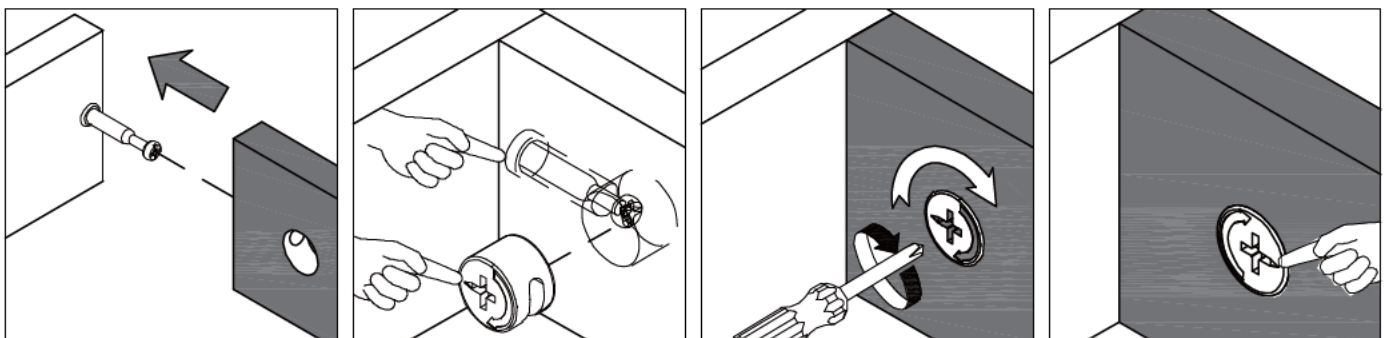
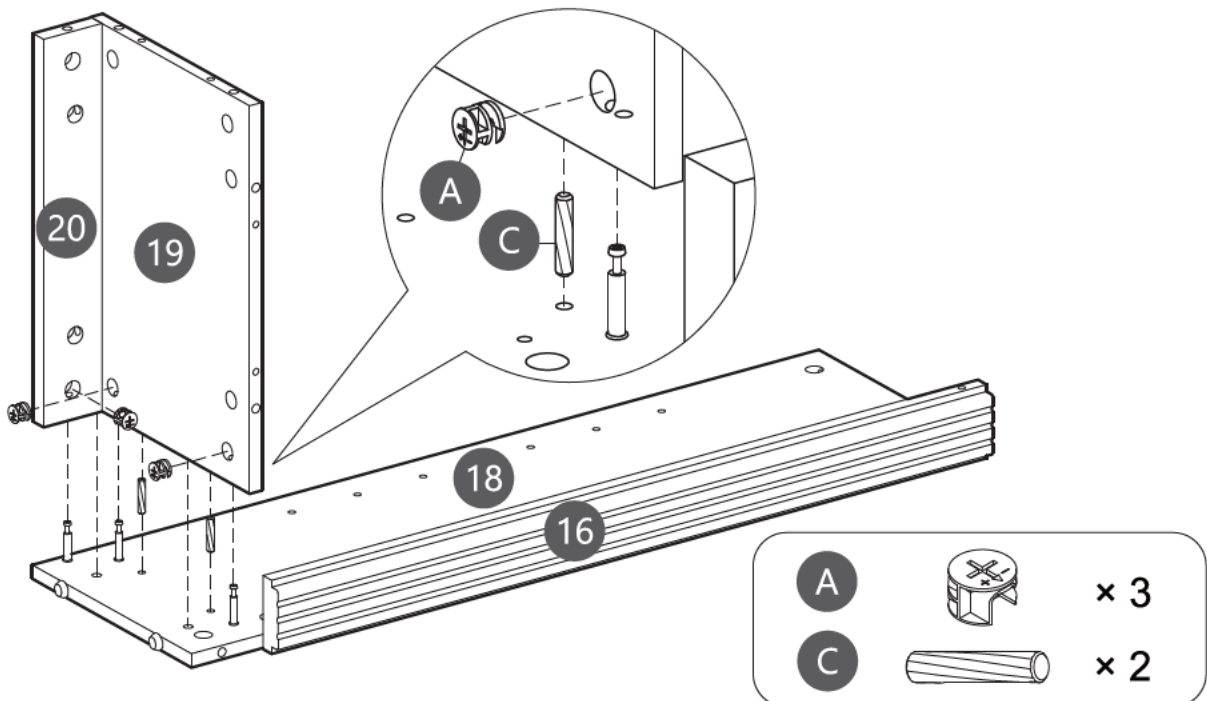
Step 25

Inserting Wooden Dowel (C) into Board (17), then attach Board (19&20) to Board (17).
Using Cam Lock (A) secure Board (19&20) to Board (17).



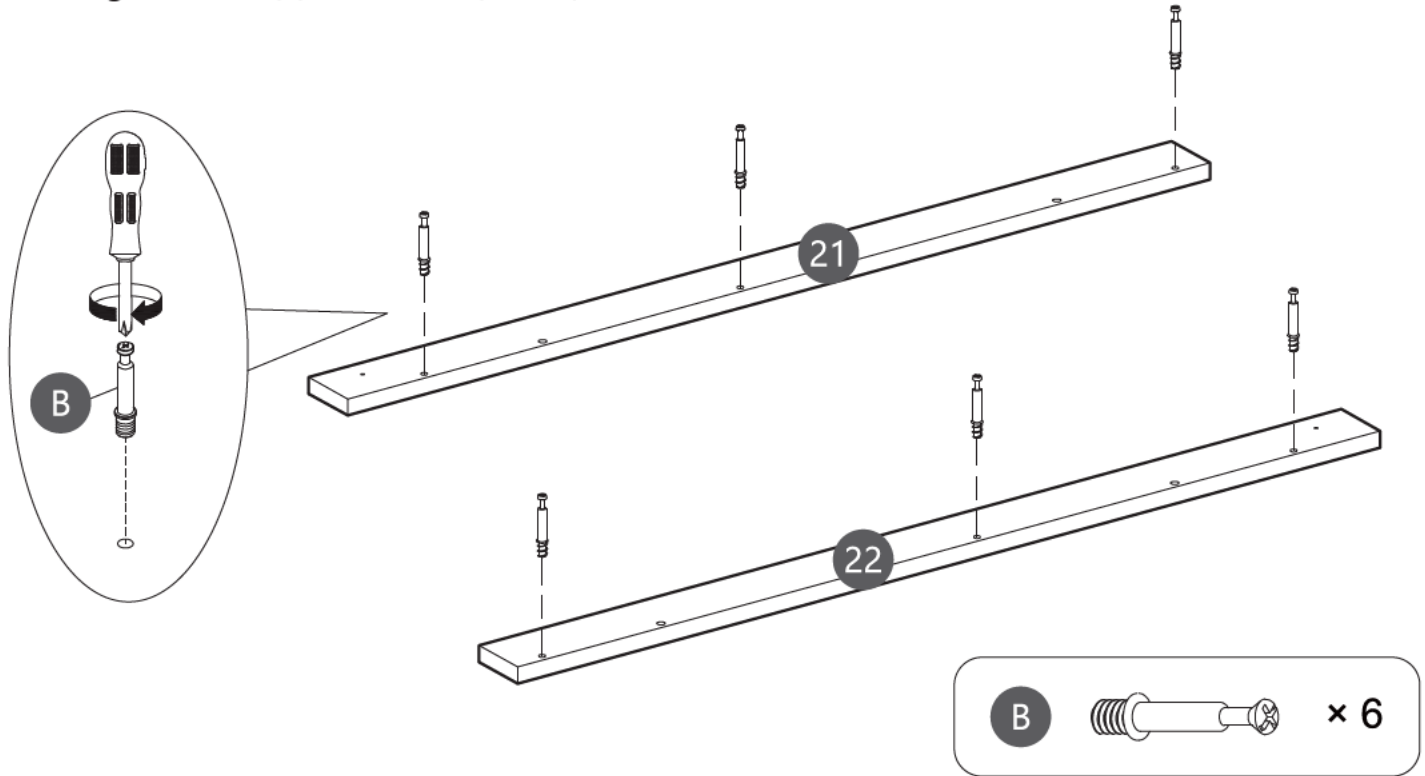
Step 26

Inserting Wooden Dowel (C) into Board (18), then attach Board (19&20) to Board (18).
Using Cam Lock (A) secure Board (19&20) to Board (18).



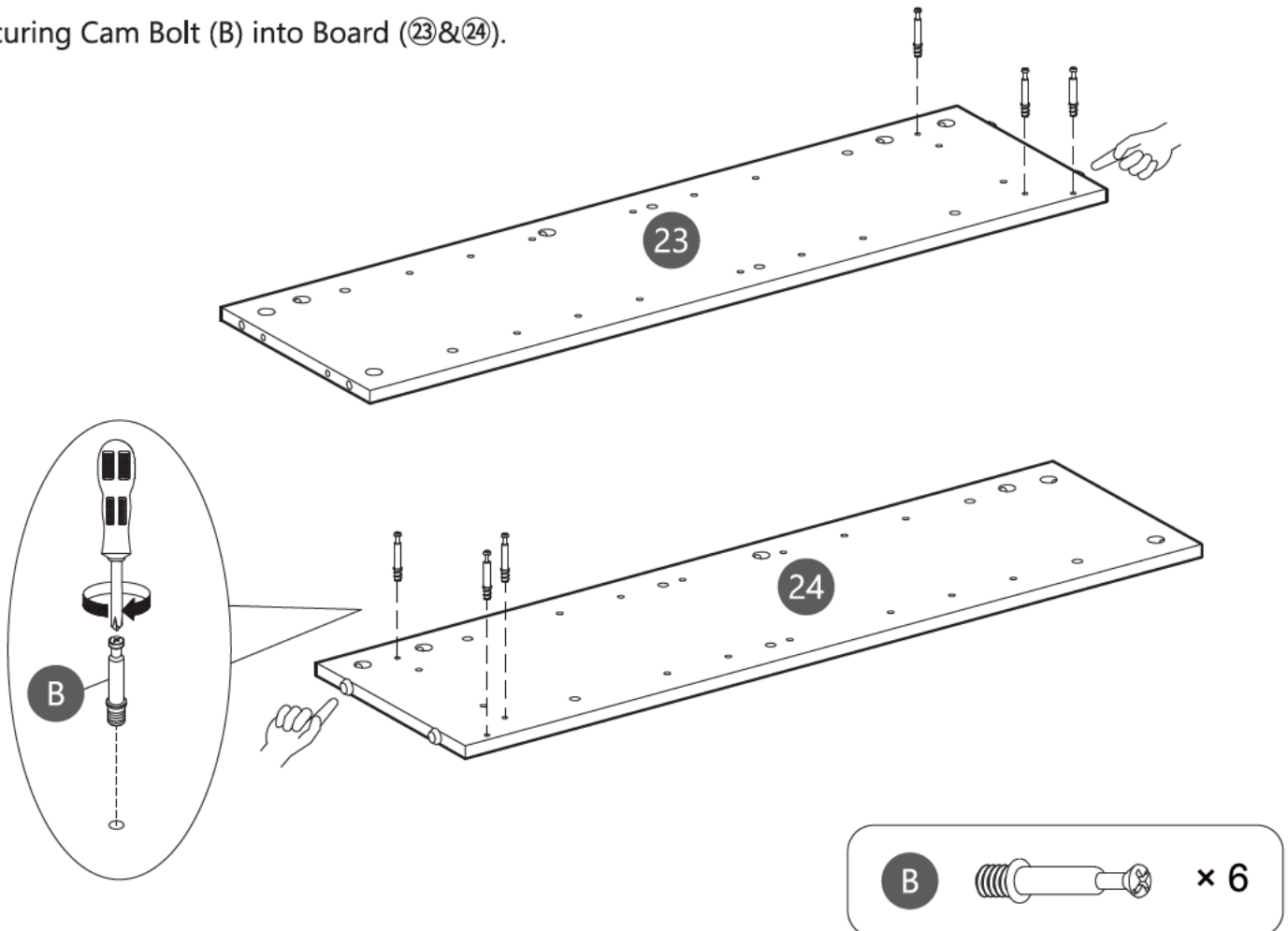
Step 27

Securing Cam Bolt (B) into Board (21&22).



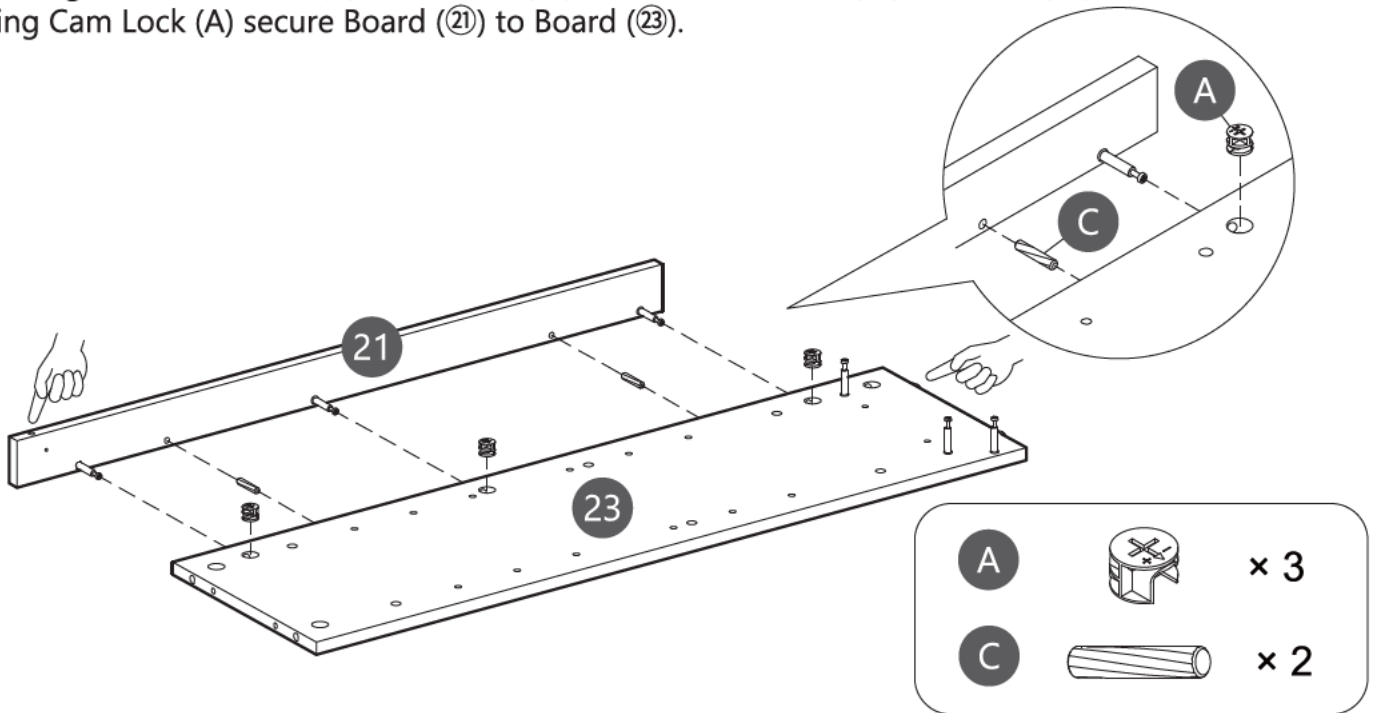
Step 28

Securing Cam Bolt (B) into Board (23&24).



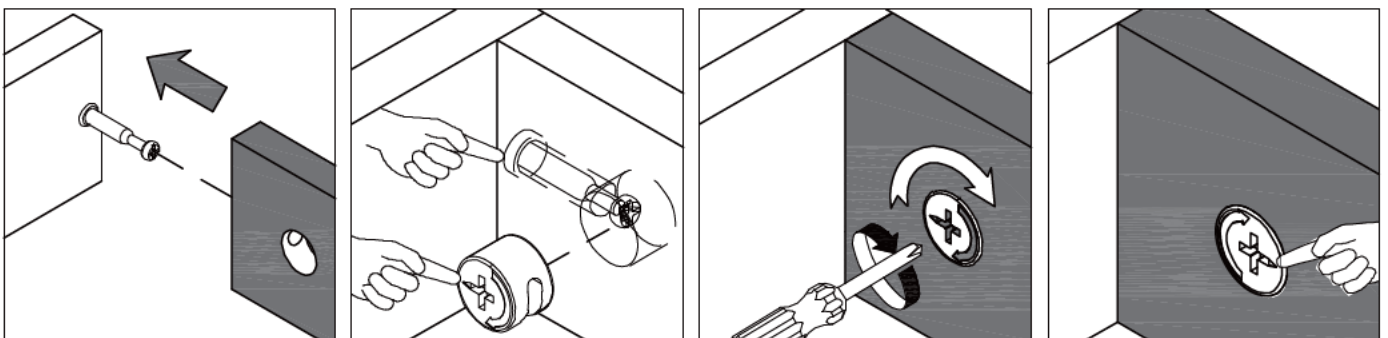
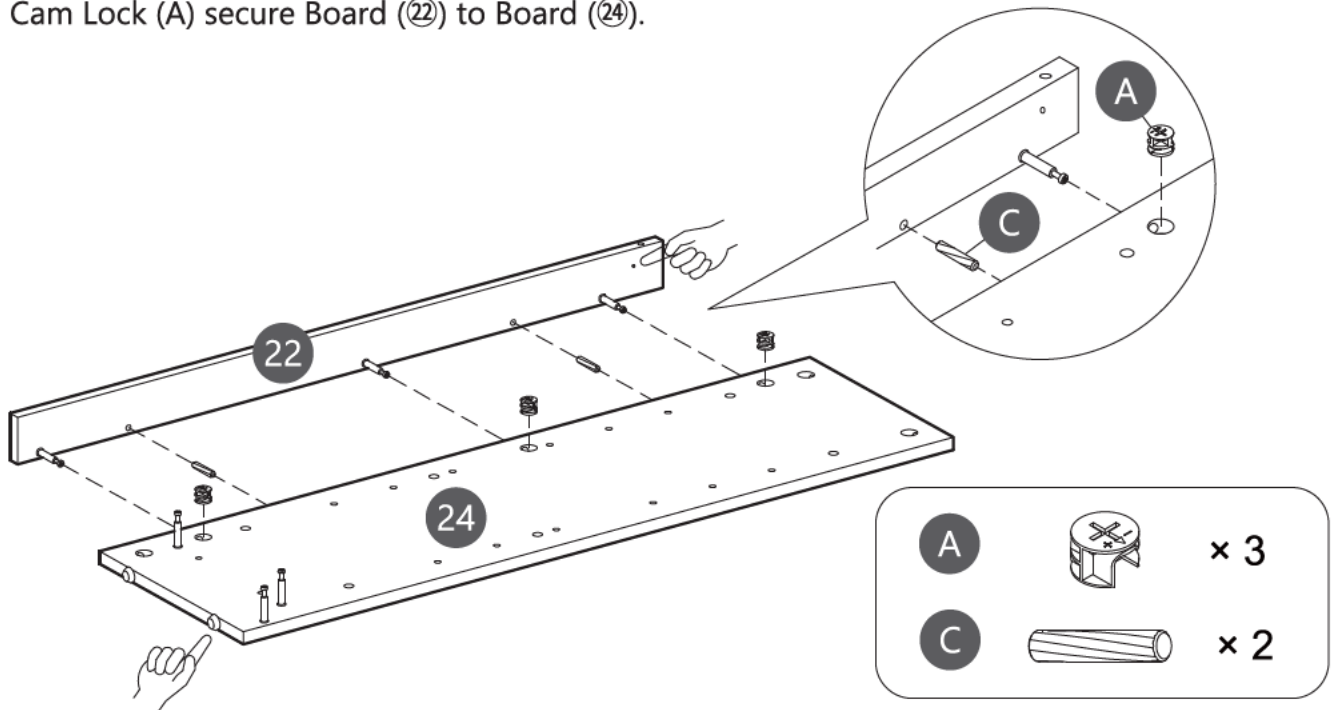
Step 29

Inserting Wooden Dowel (C) into Board (23), then attach Board (21) to Board (23).
Using Cam Lock (A) secure Board (21) to Board (23).



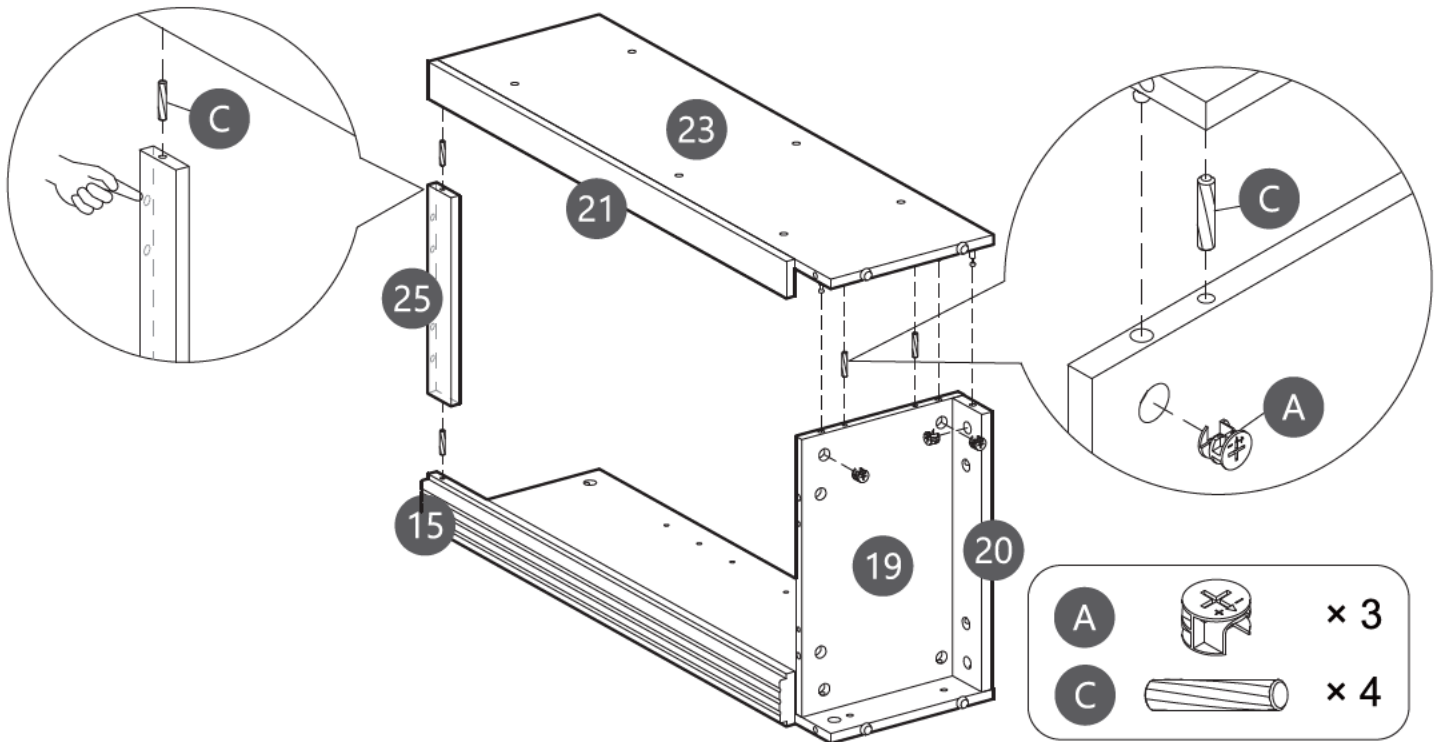
Step 30

Inserting Wooden Dowel (C) into Board (24), then attach Board (22) to Board (24).
Using Cam Lock (A) secure Board (22) to Board (24).



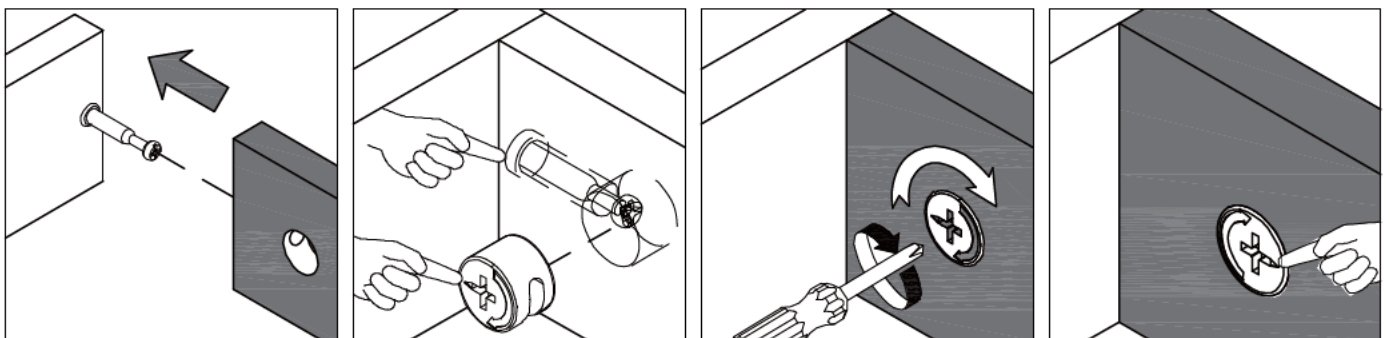
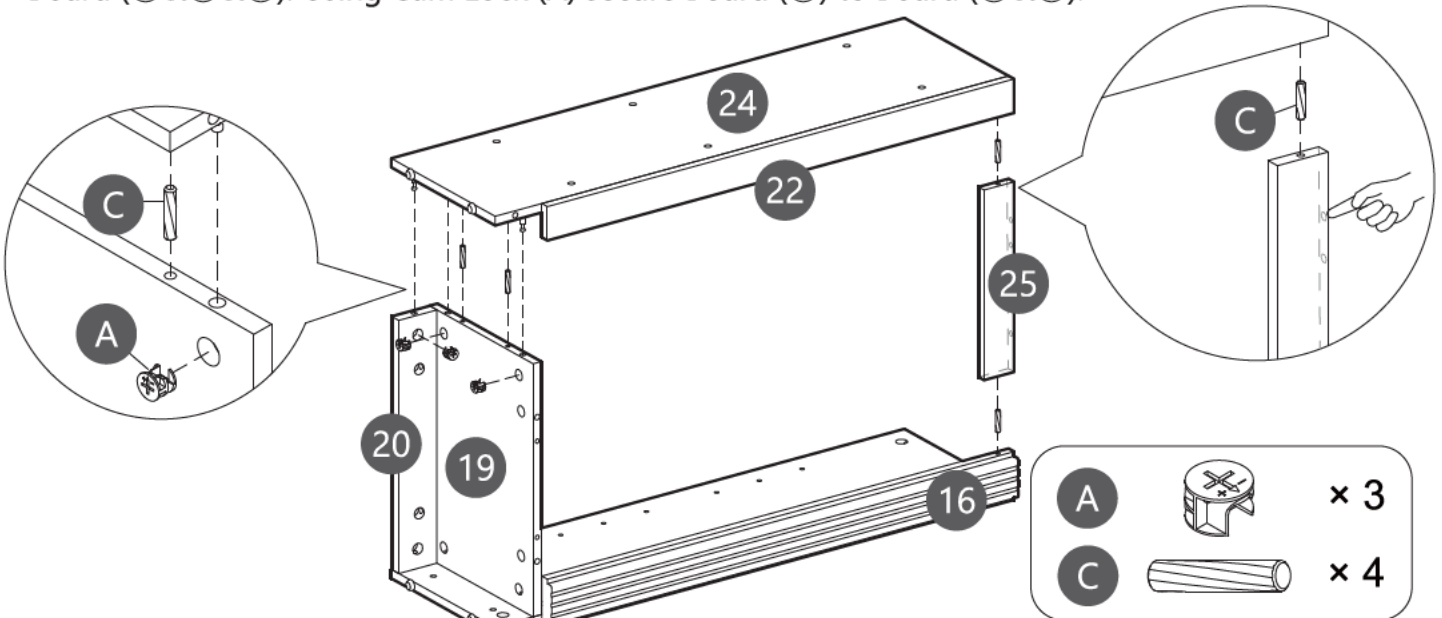
Step 31

Inserting Wooden Dowel (C) into Board (19&25), then attach Board (21&23&25) to Board (15&19&20). Using Cam Lock (A) secure Board (23) to Board (19&20).



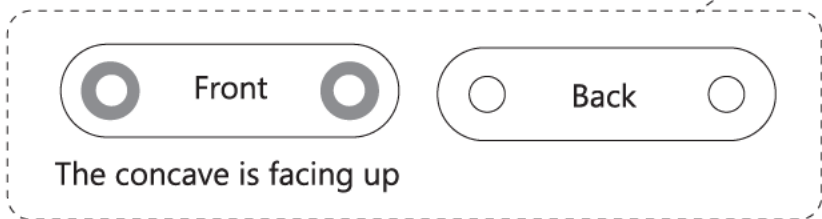
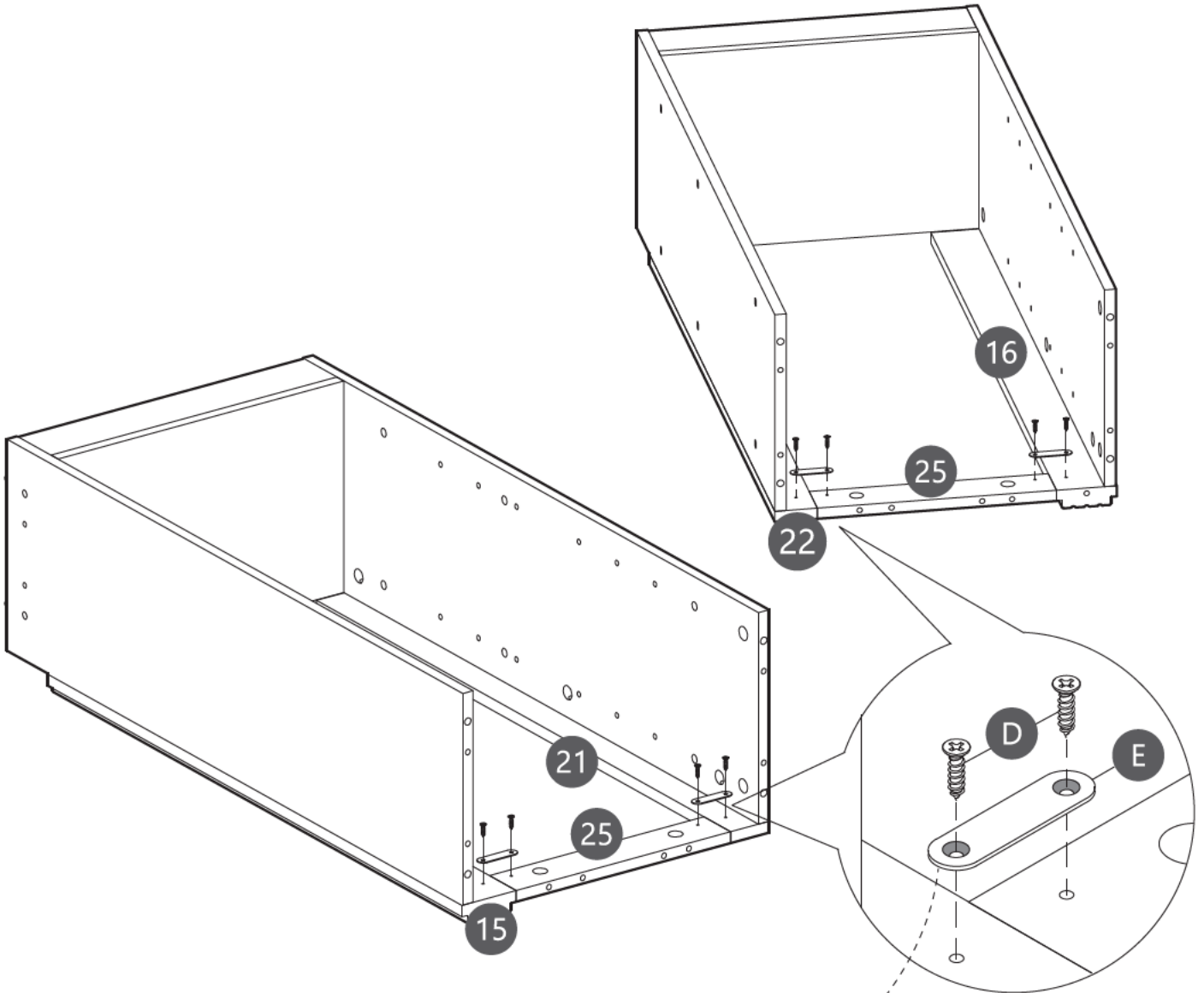
Step 32

Inserting Wooden Dowel (C) into Board (19&25), then attach Board (22&24&25) to Board (16&19&20). Using Cam Lock (A) secure Board (24) to Board (19&20).



Step 33

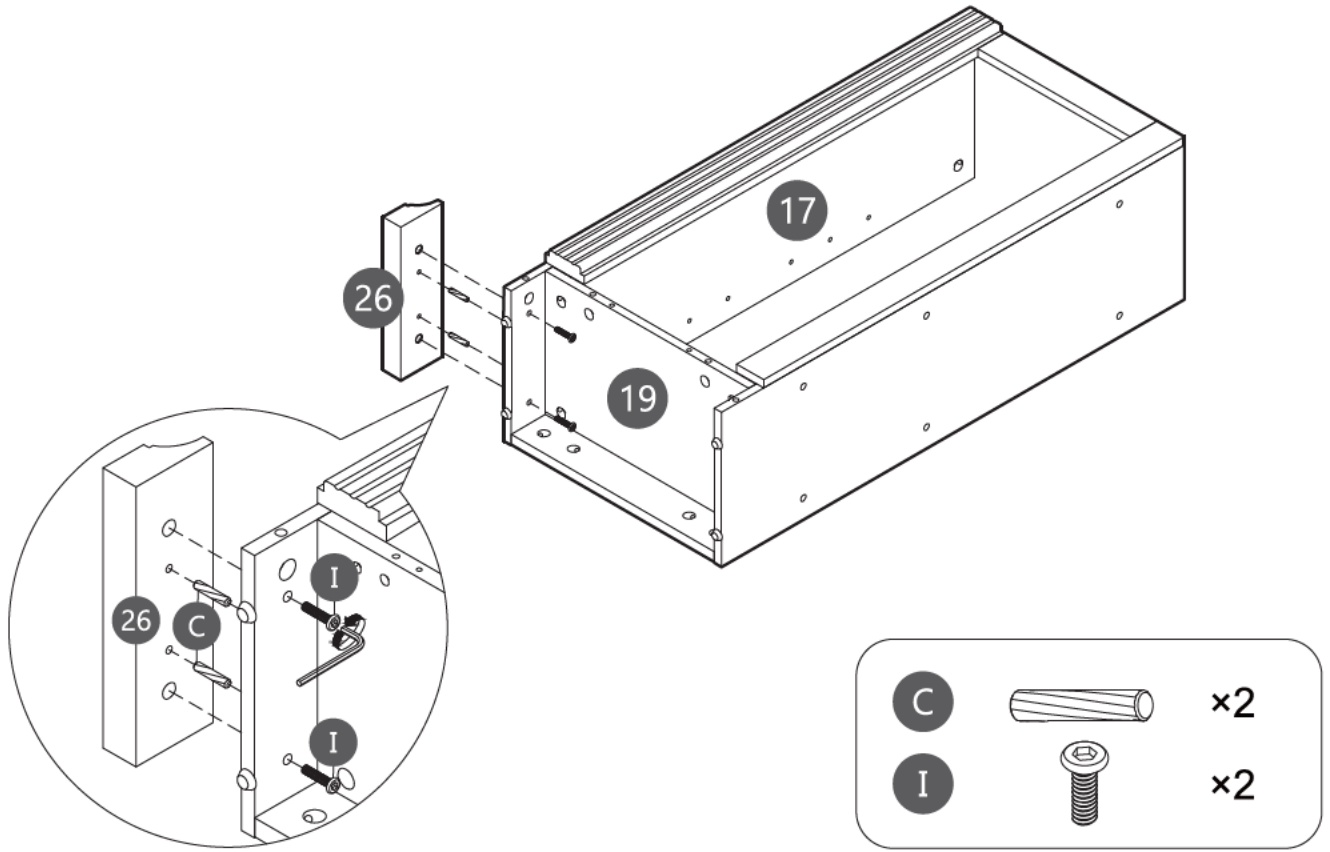
Using Screws (D) secure Connector (E) to Board (15&21&25)(16&22&25).



- | | | |
|---|---|-----|
| D |  | × 8 |
| E |  | × 4 |

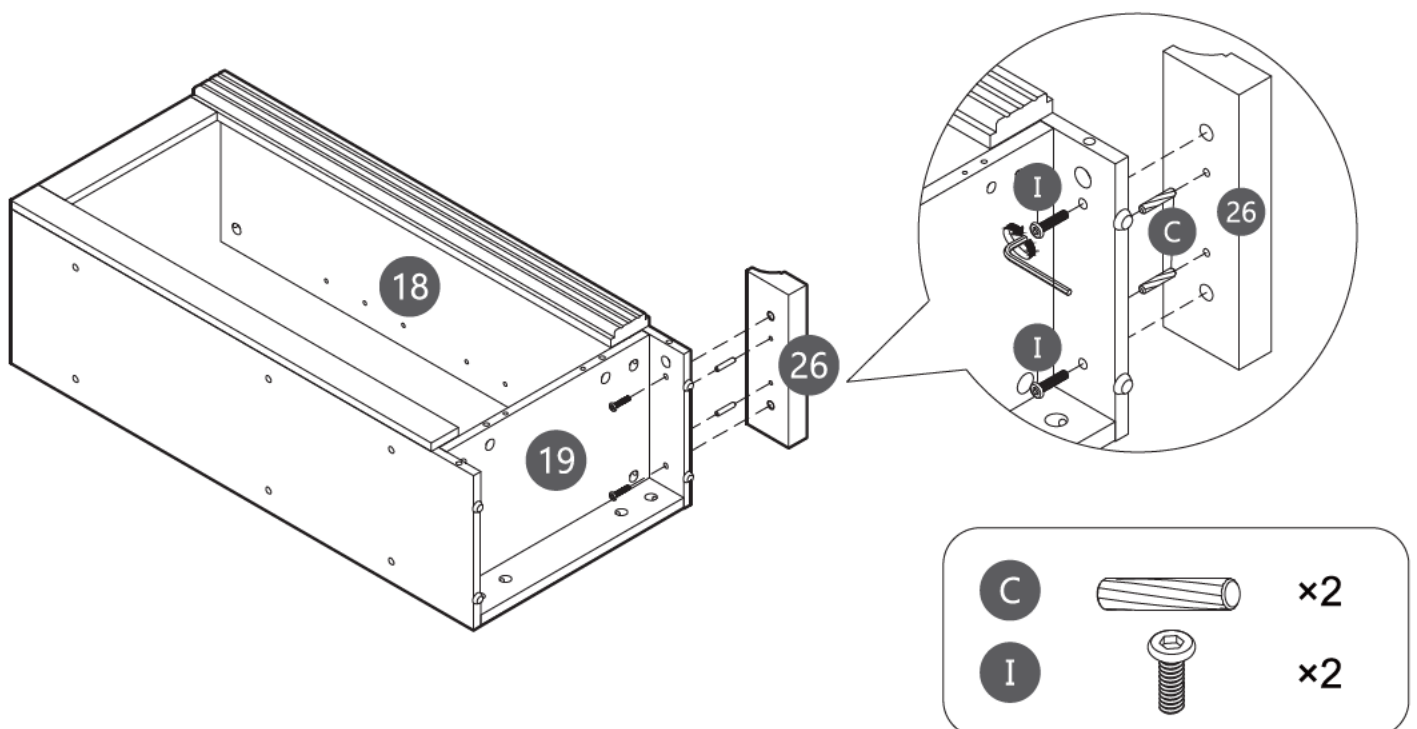
Step 34

Inserting Wooden Dowel (C) into Board (17), then attach Board (26) to Board (17).
Using Screws (I) and a 7-Shaped Wrench (P) secure Board (26) to Board (17).



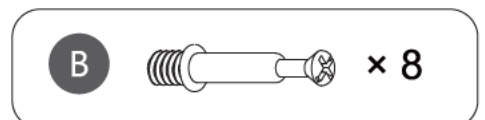
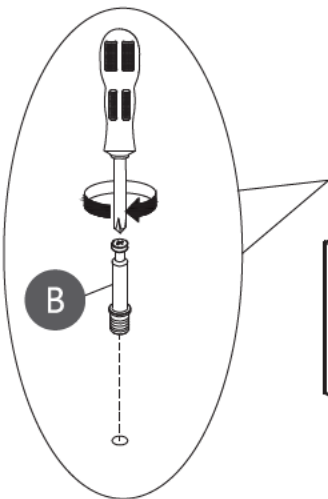
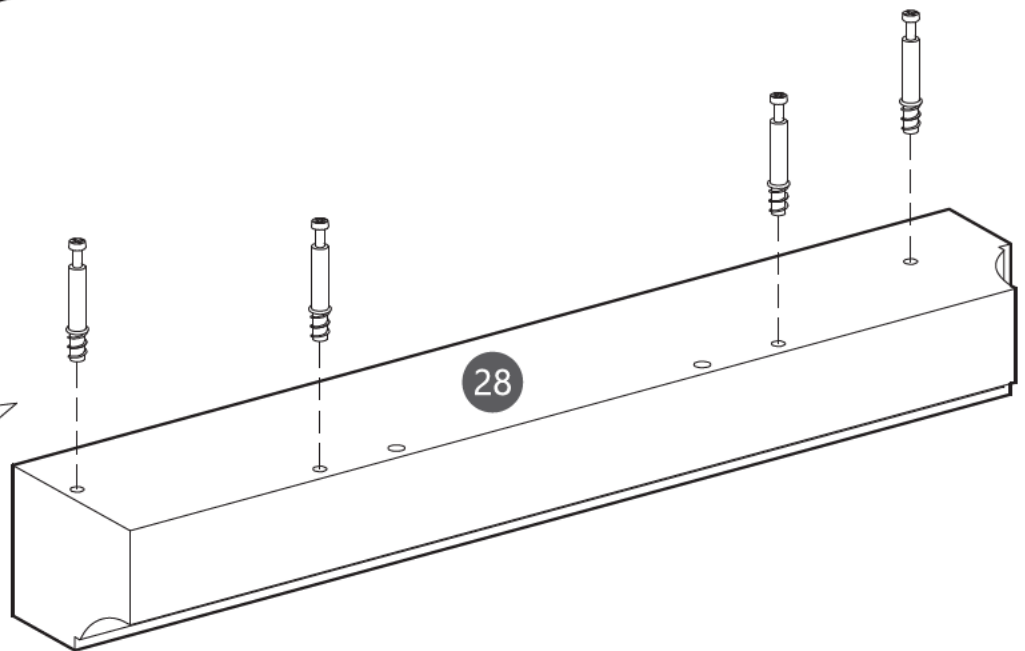
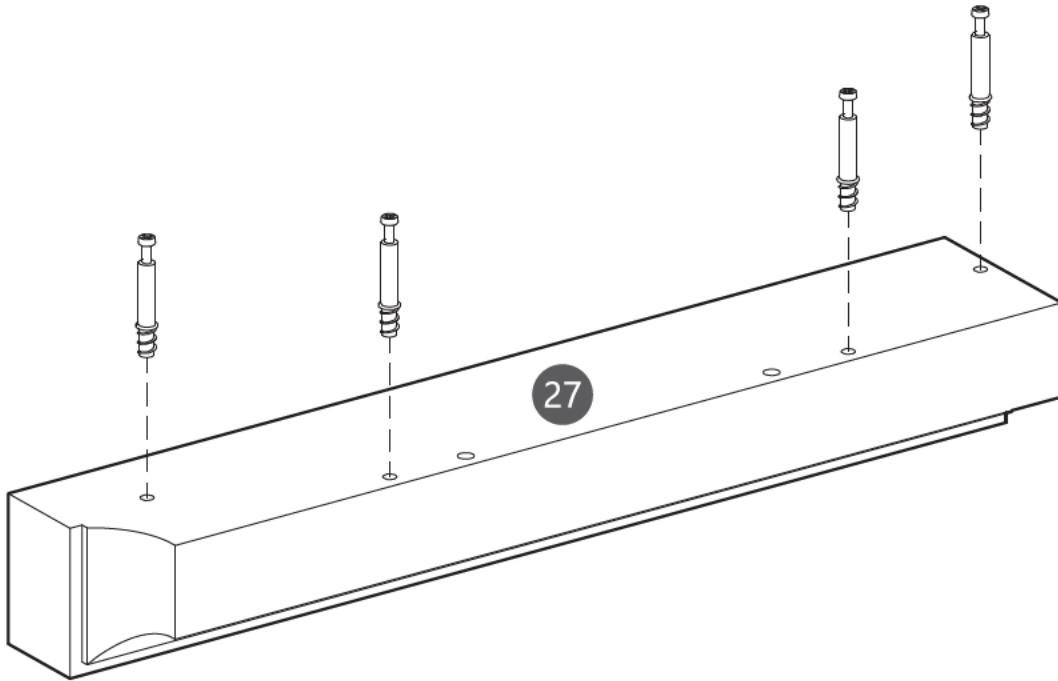
Step 35

Inserting Wooden Dowel (C) into Board (18), then attach Board (26) to Board (18).
Using Screws (I) and a 7-Shaped Wrench (P) secure Board (26) to Board (18).



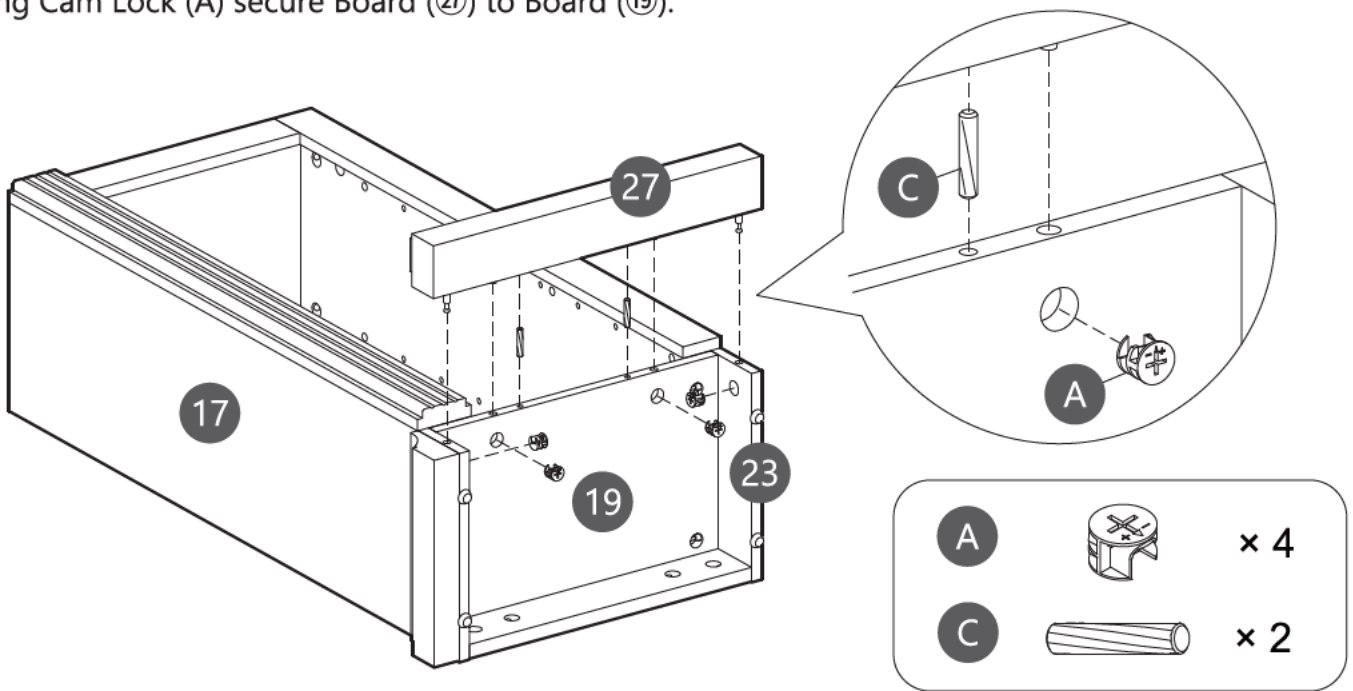
Step 36

Securing Cam Bolt (B) into Board (27&28).



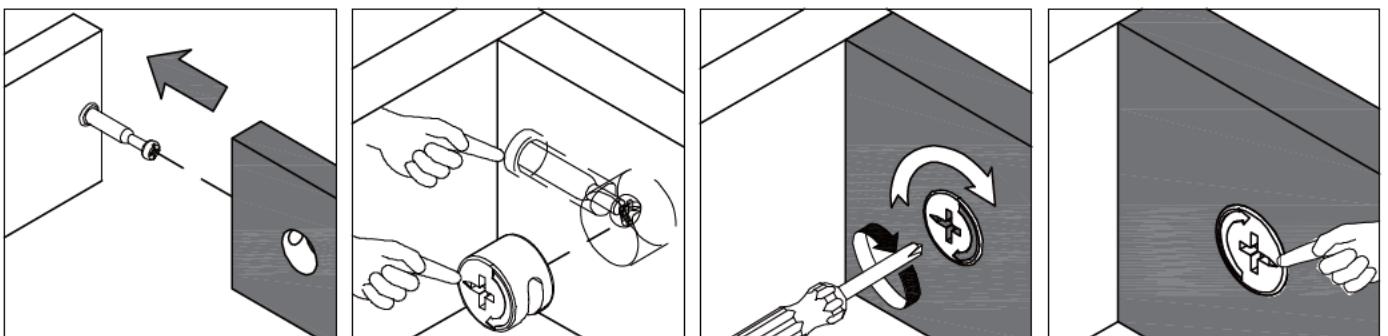
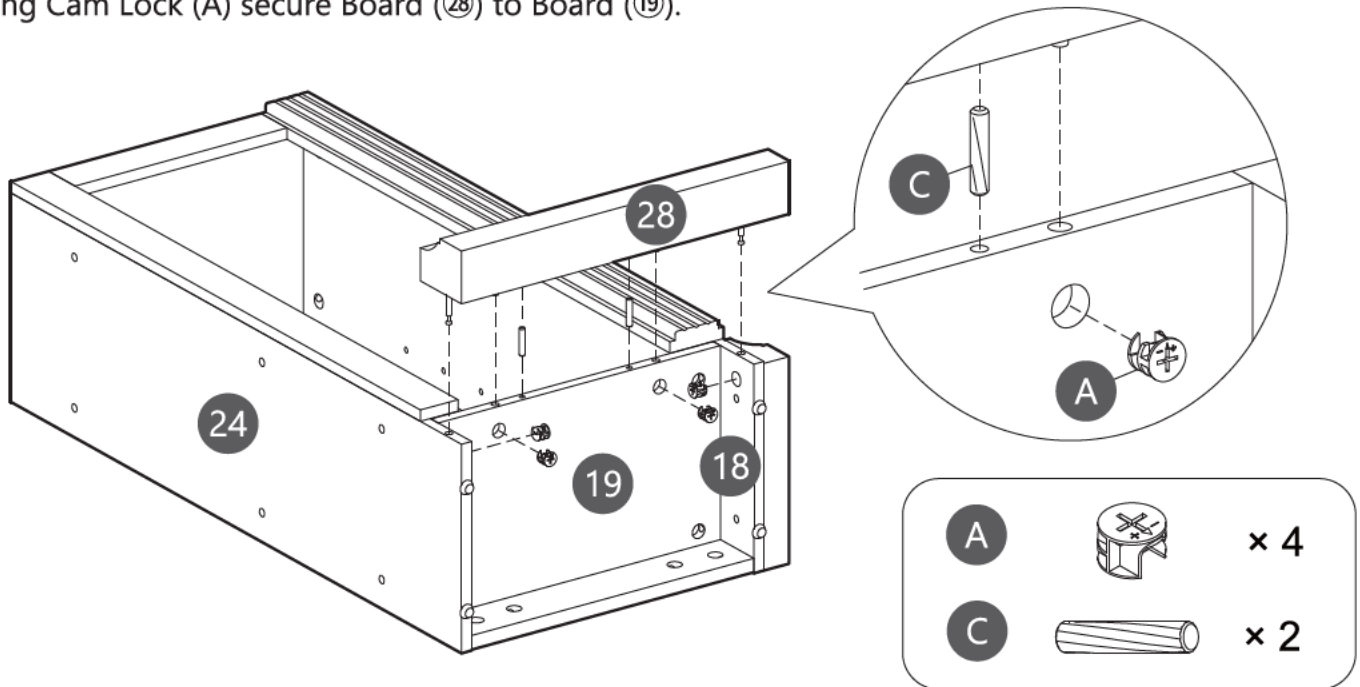
Step 37

Inserting Wooden Dowel (C) into Board (19), then attach Board (27) to Board (19).
Using Cam Lock (A) secure Board (27) to Board (19).



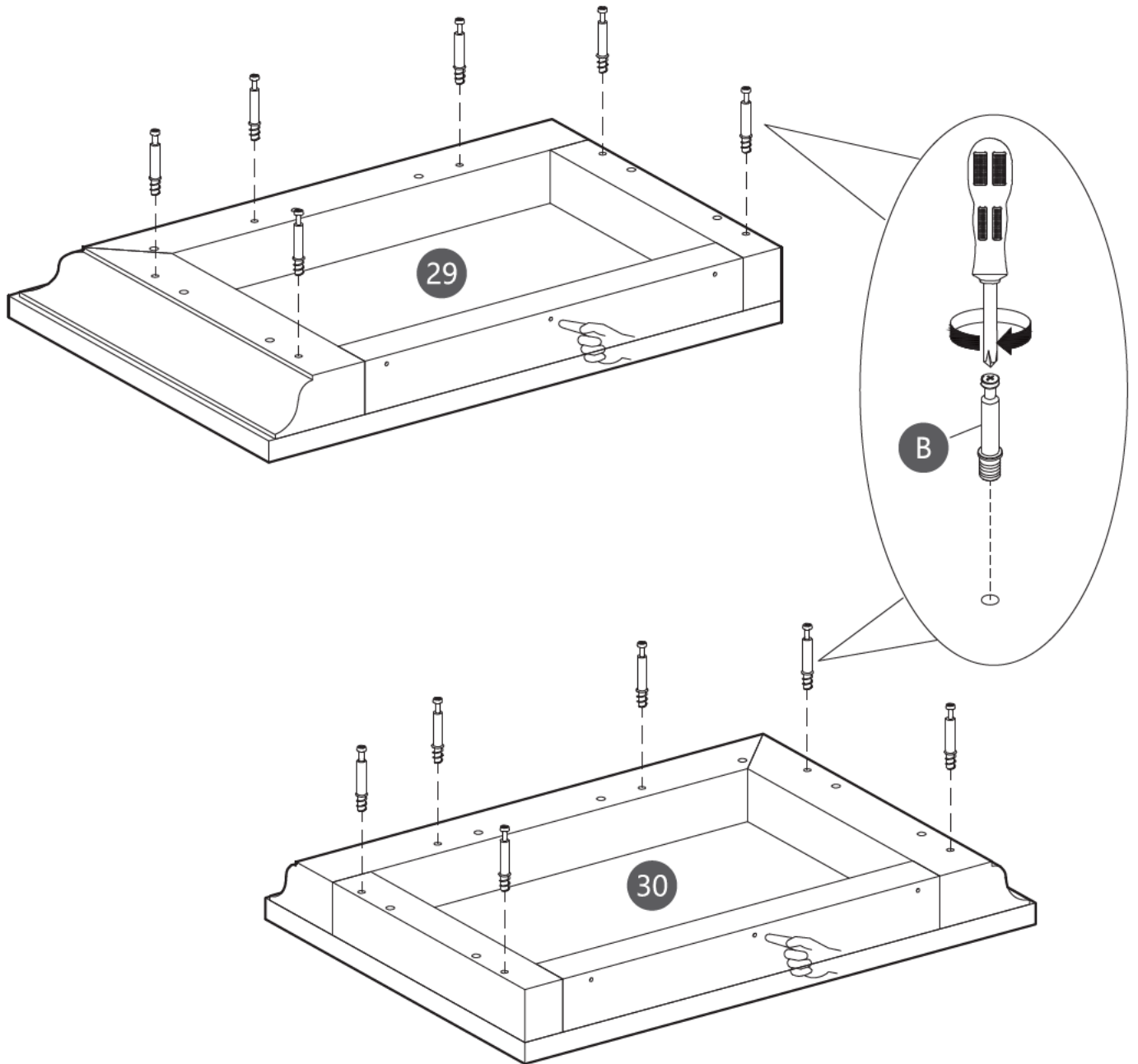
Step 38

Inserting Wooden Dowel (C) into Board (19), then attach Board (28) to Board (19).
Using Cam Lock (A) secure Board (28) to Board (19).



Step 39

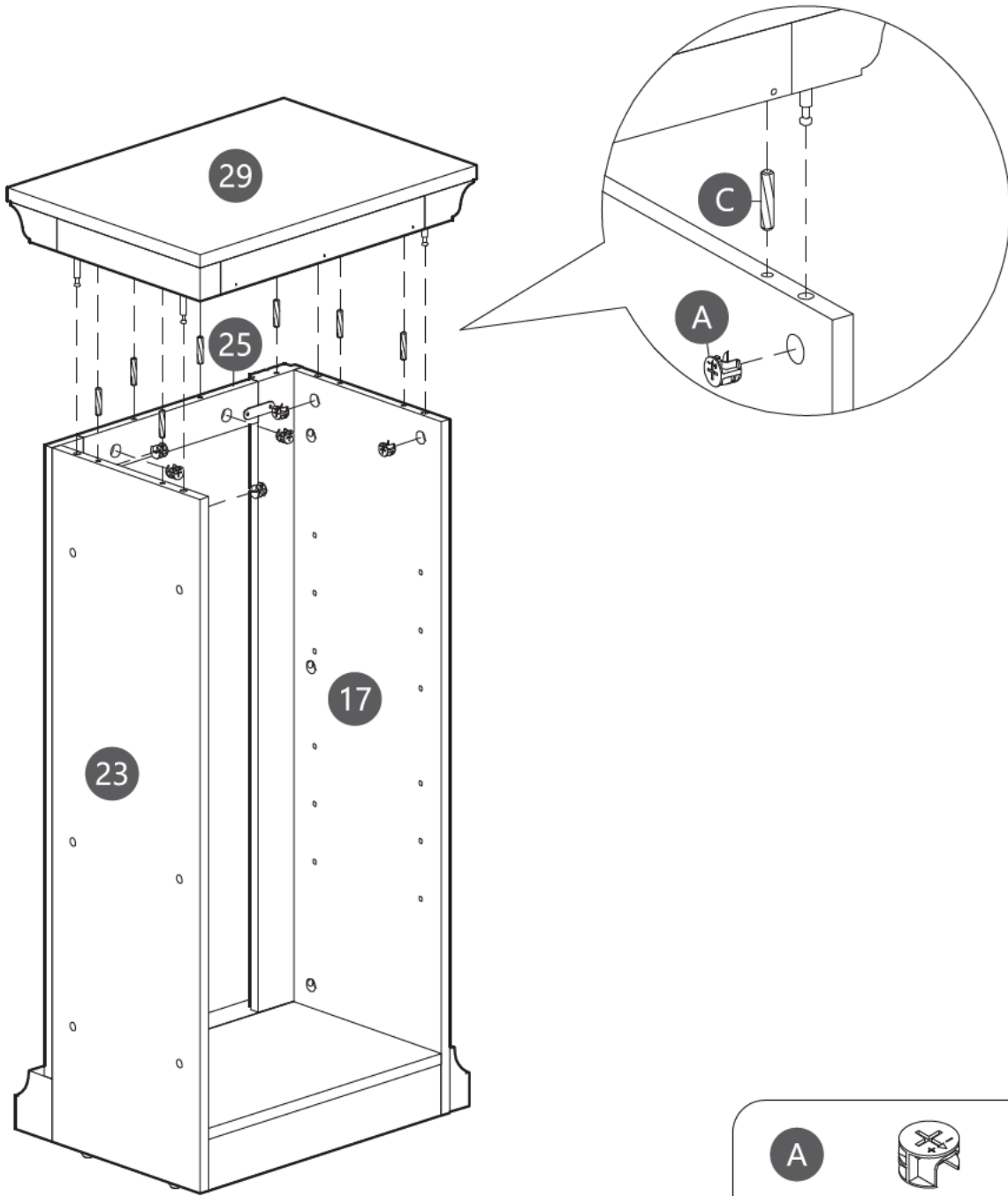
Securing Cam Bolt (B) into Board (29&30).





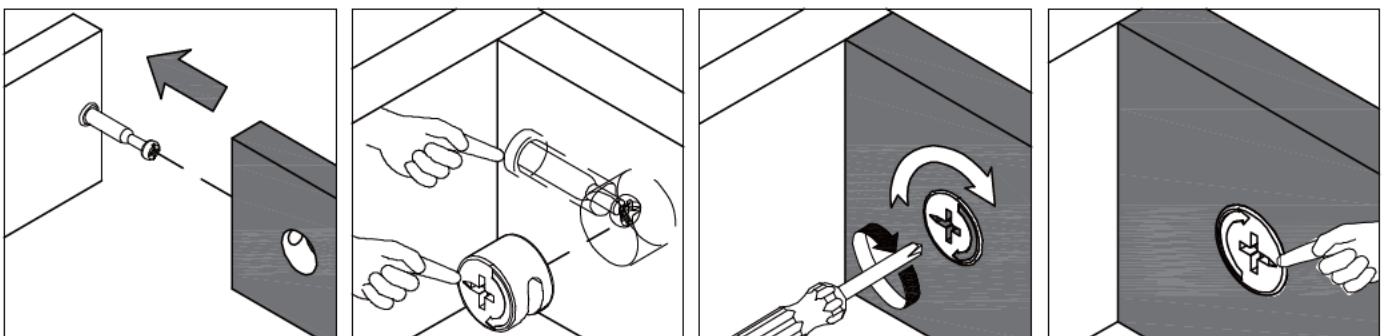
B × 12

Step 40

Inserting Wooden Dowel (C) into Board (17&23&25), then attach Board (29) to Board (17&23&25). Using Cam Lock (A) secure Board (29) to Board (17&23&25).

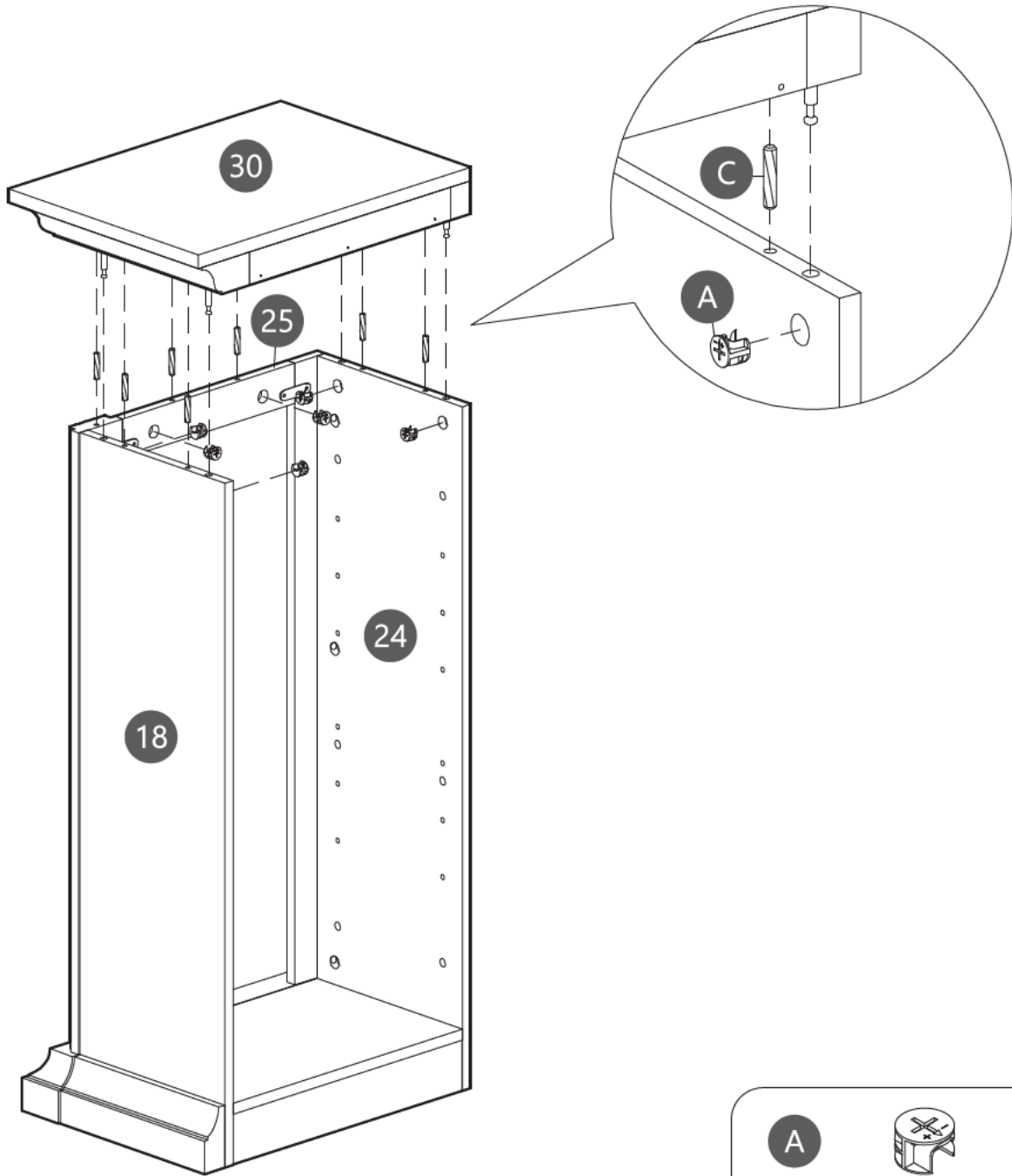




- | | | |
|---|---|-----|
| A |  | × 6 |
| C |  | × 7 |

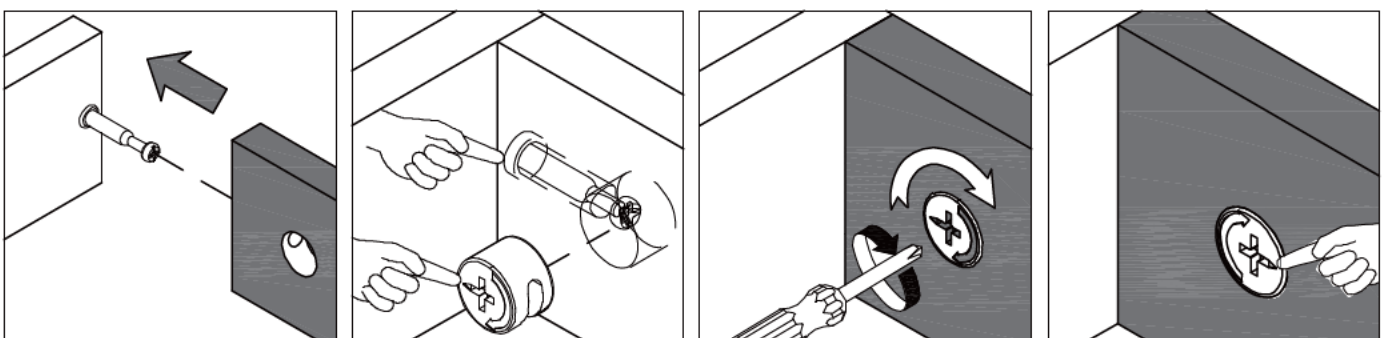


Step 41

Inserting Wooden Dowel (C) into Board (18&24&25), then attach Board (30) to Board (18&24&25). Using Cam Lock (A) secure Board (30) to Board (18&24&25).

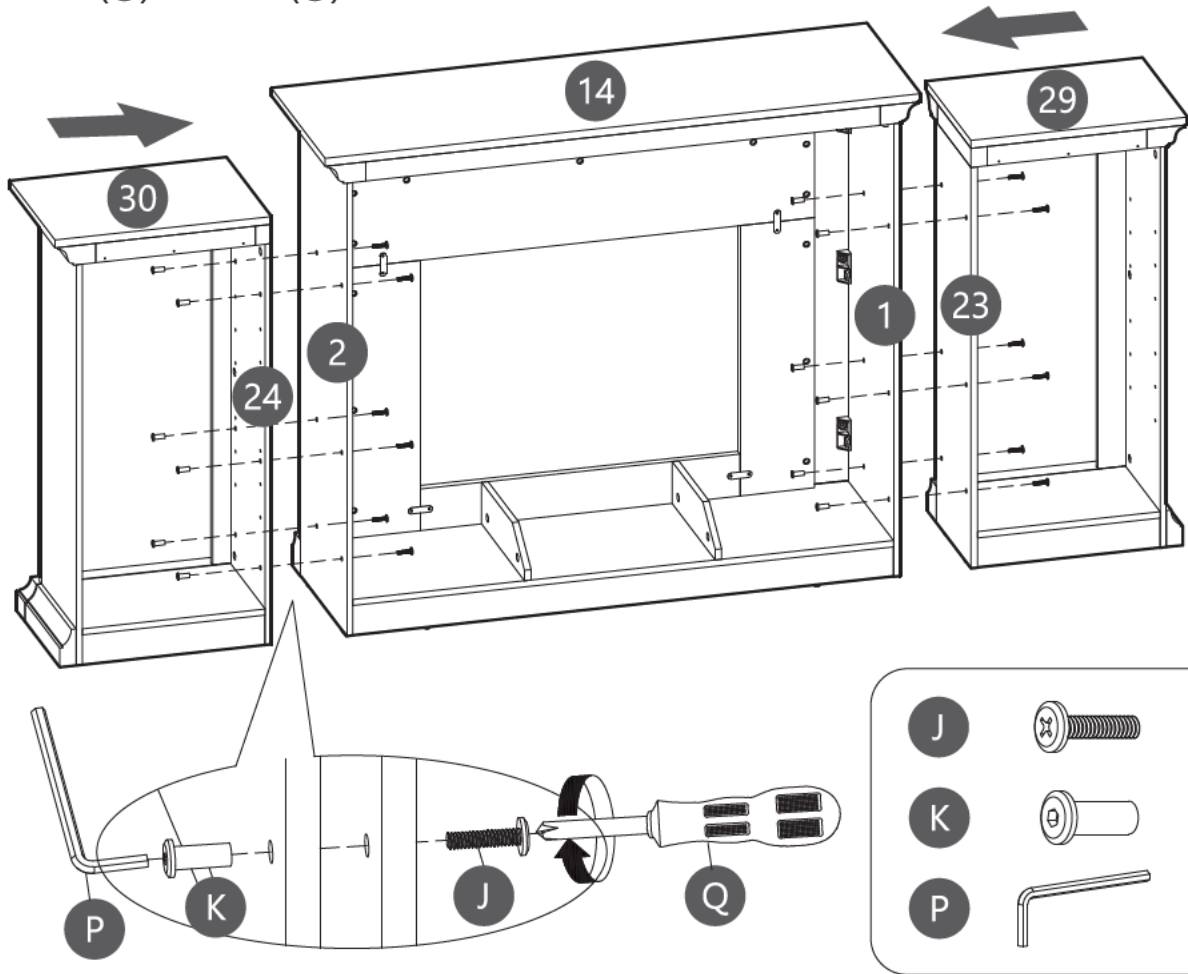


A		× 6
C		× 7



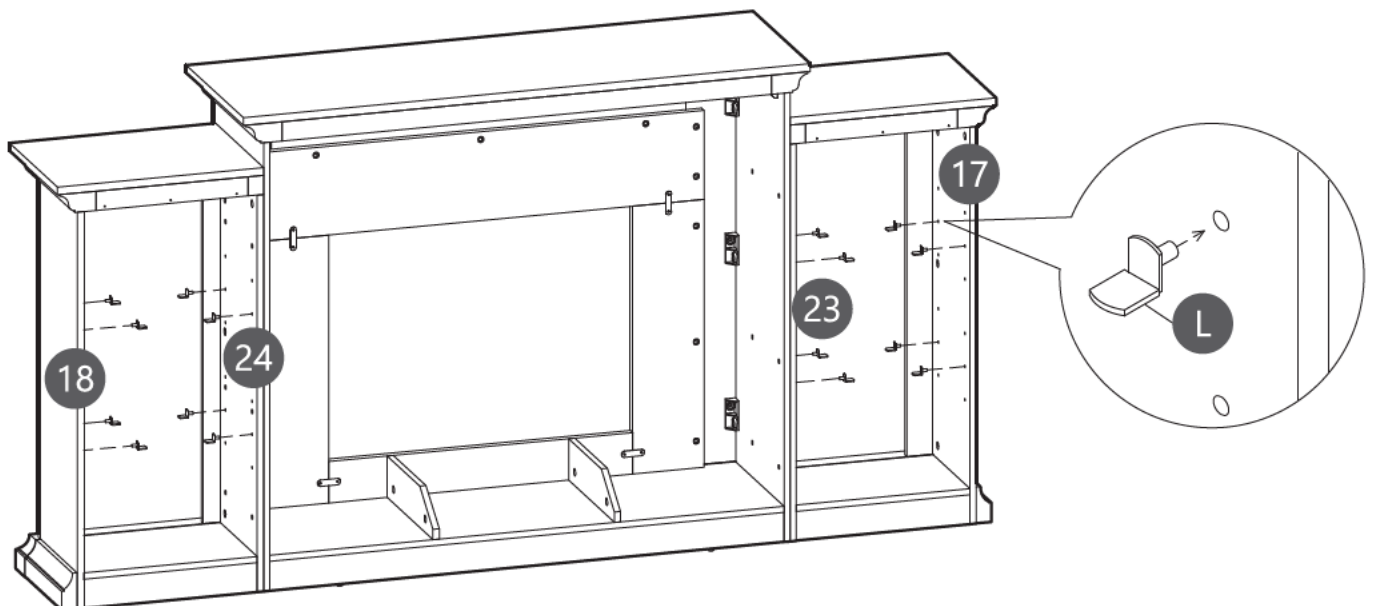
Step 42

Using Screws (J&K) and a 7-Shaped Wrench (P) secure Board (24) to Board (2) and secure Board (23) to Board (1).

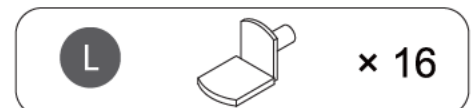


Step 43

Securing Screws (L) into Board (17&18&23&24).

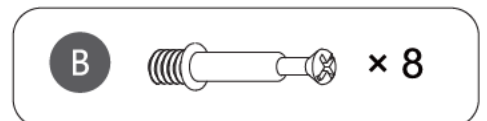
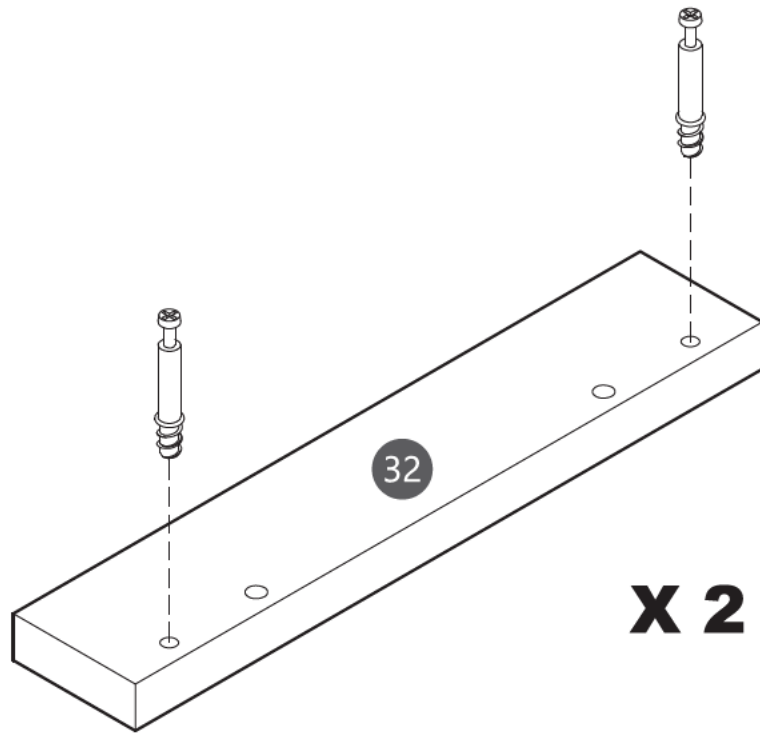
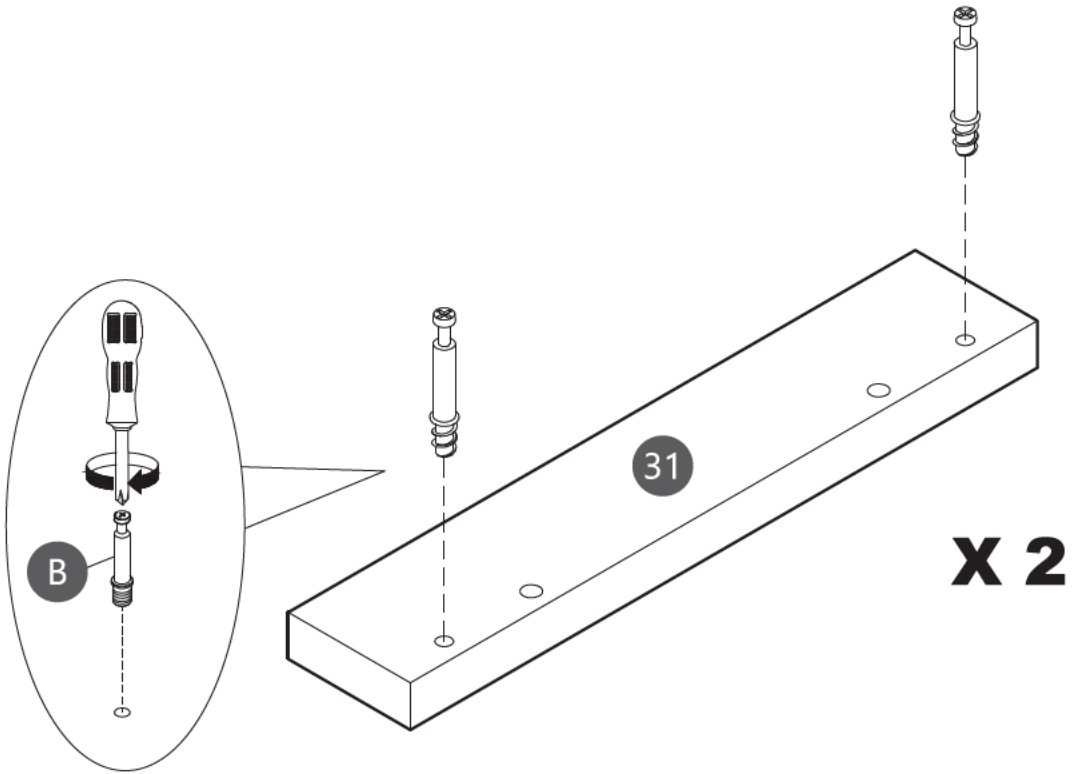


This Support Screw (L) can be Adjust the Hole Position to Install for Adjusting the Height of the Bookshelf Board



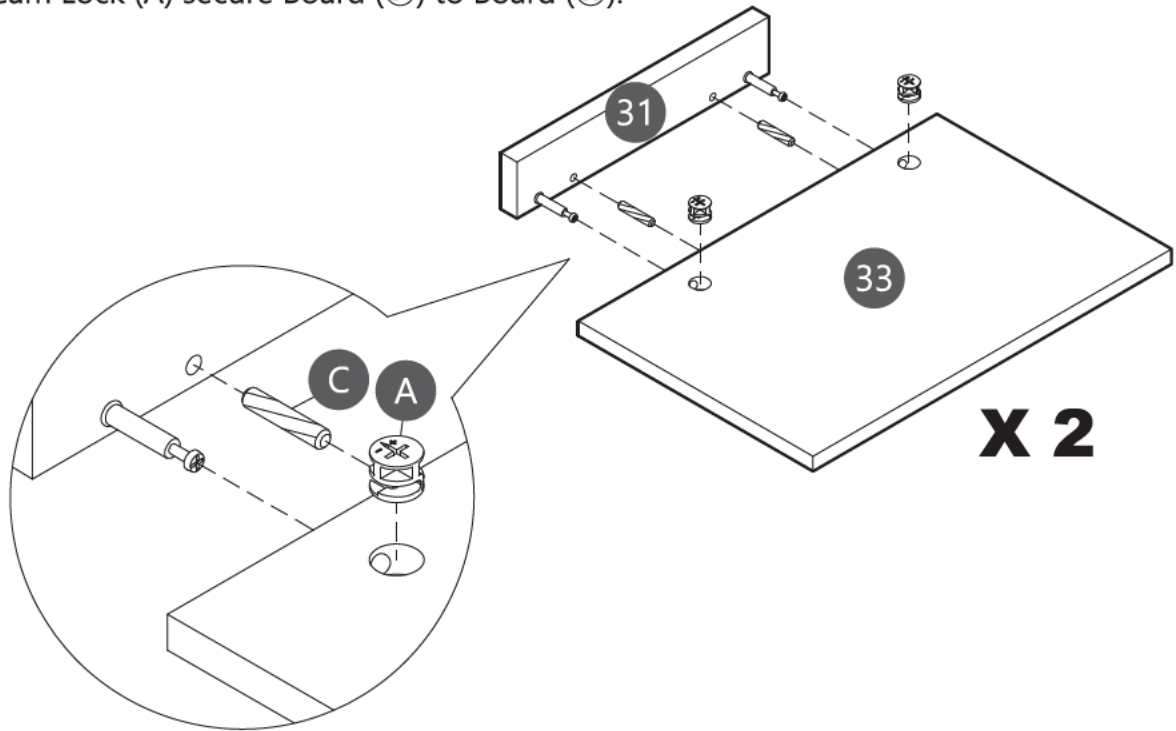
Step 44

Securing Cam Bolt (B) into Board (31&32).

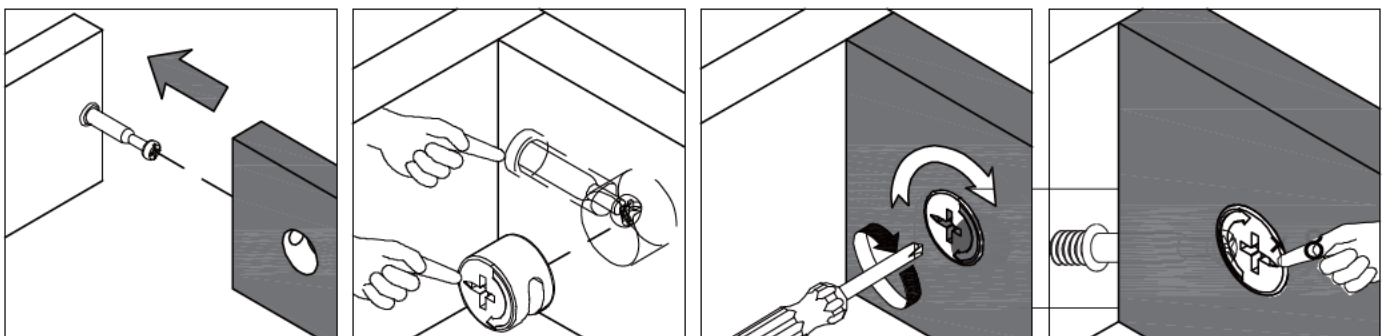
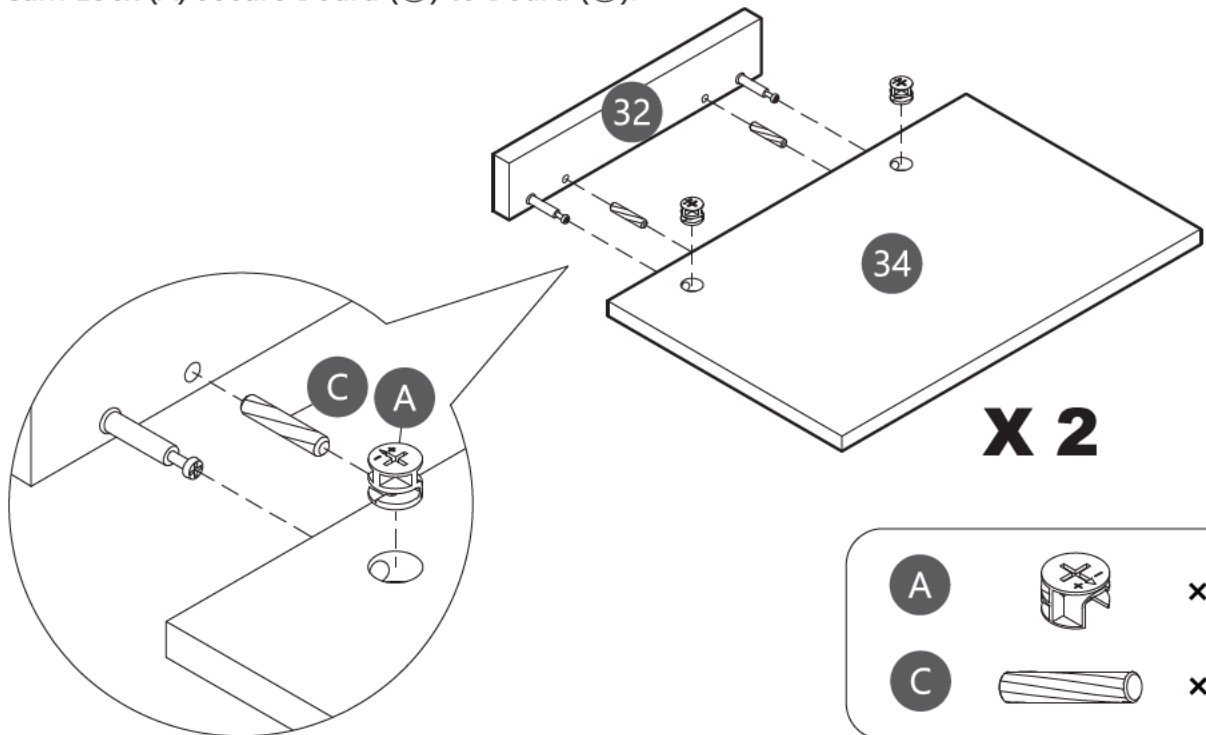


Step 45

Inserting Wooden Dowel (C) into Board (33), then attach Board (31) to Board (33).
Using Cam Lock (A) secure Board (31) to Board (33).

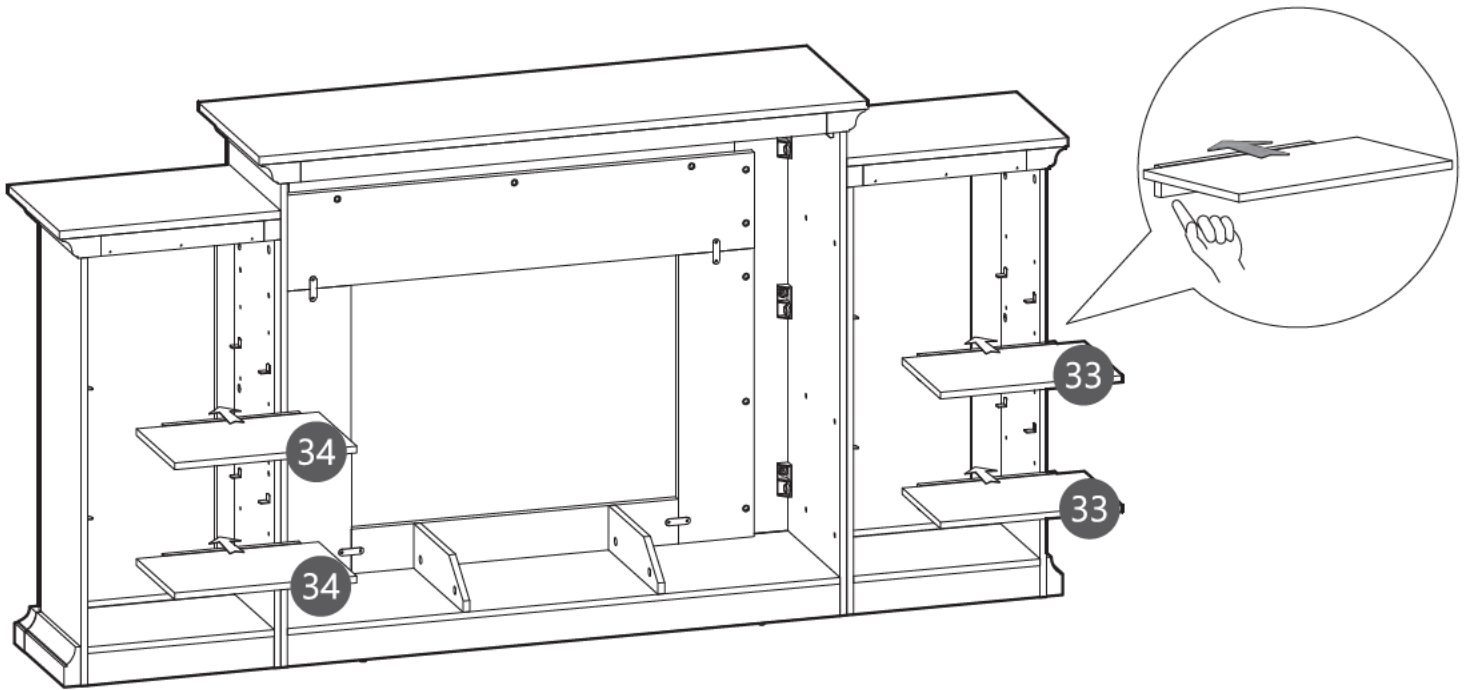


Inserting Wooden Dowel (C) into Board (34), then attach Board (32) to Board (34).
Using Cam Lock (A) secure Board (32) to Board (34).



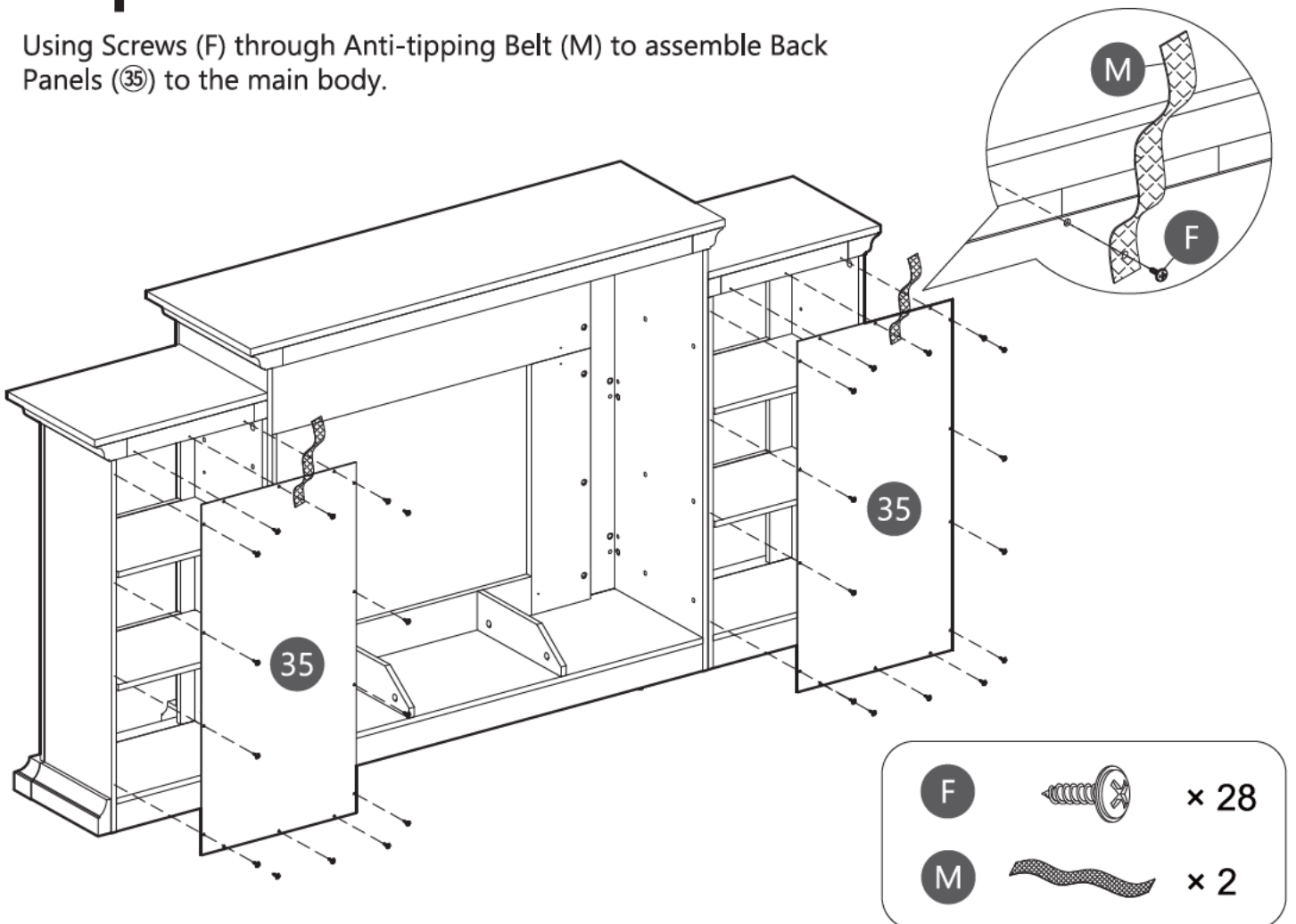
Step 46

Place the Board (33&34) into the Mantel.



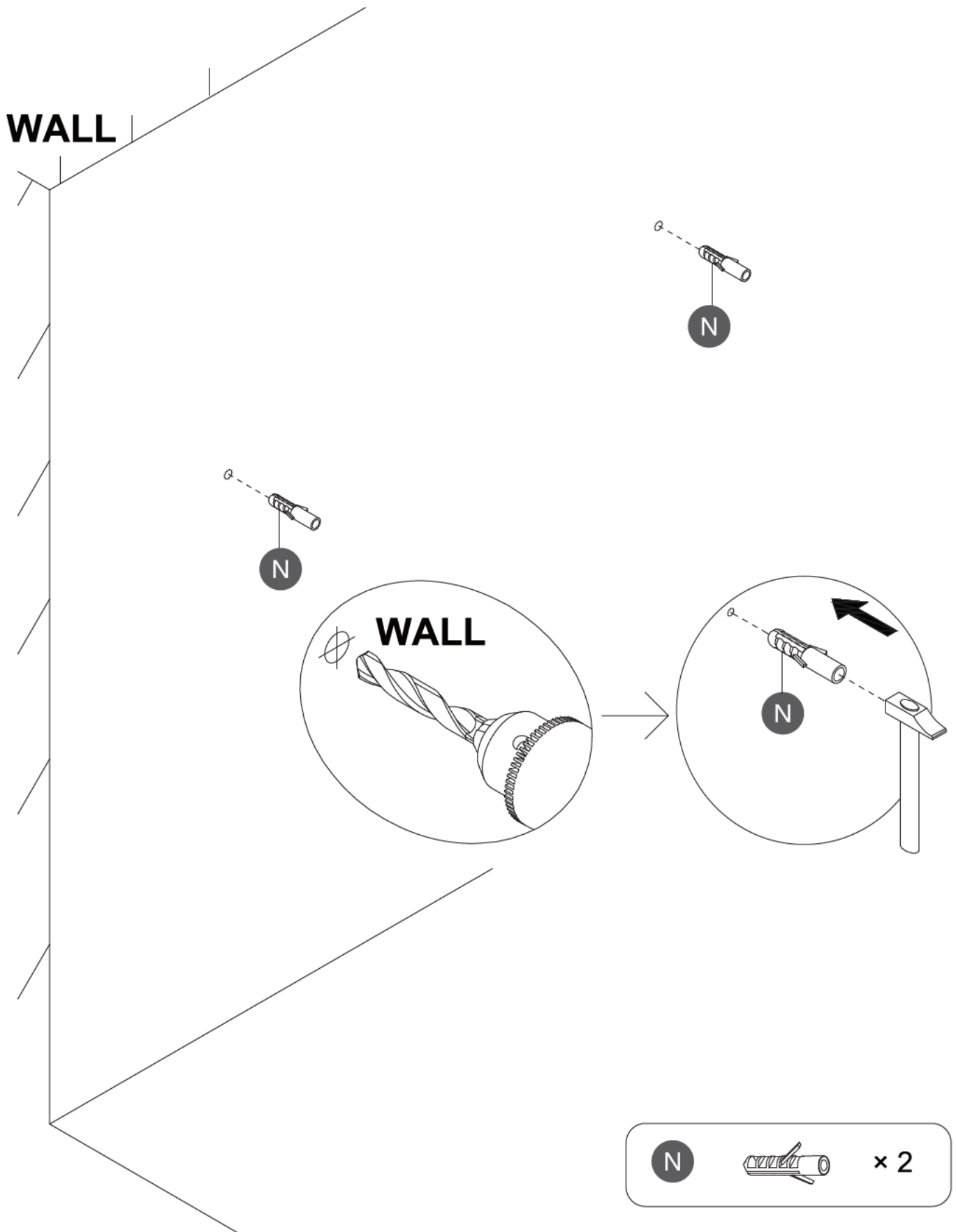
Step 47

Using Screws (F) through Anti-tipping Belt (M) to assemble Back Panels (35) to the main body.



Step 48

Drill 2 holes in the wall and Hammer the (N) in.



Step 49

Using Screw (O) attach Anti-tipping Belt (M) into Nut (N) to wall.

