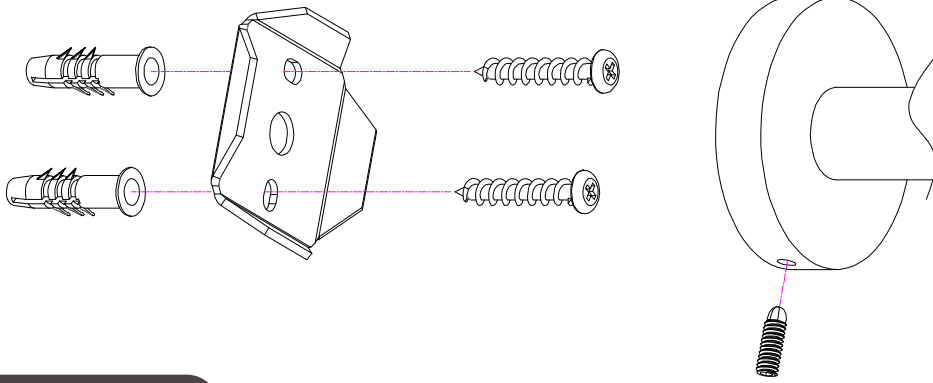


USER MANUAL

INSTALLATION DIAGRAM



DIMENSION

