

Thank You For Shopping With COZAYH HOME

We value your feedback and want to hear from you. To let us know how we can improve your shopping experience, or to ask a specific question about your order, please find our contact information below.

Customer Service Line: 1.312.600.5553 (M-F 9am-5pm Central Time)

Customer Service Email: Support@cozayh.com

Website: www.cozayhome.com



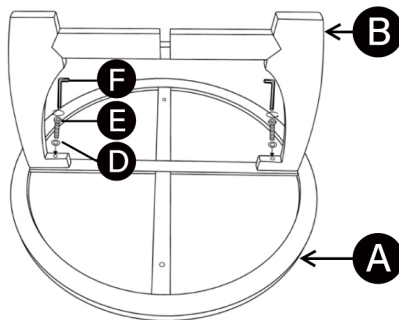
SKU:
PH0401-4

Assembly Instructions

Laying out all the parts and hardware, identifying each part as shown may help you assemble the table.

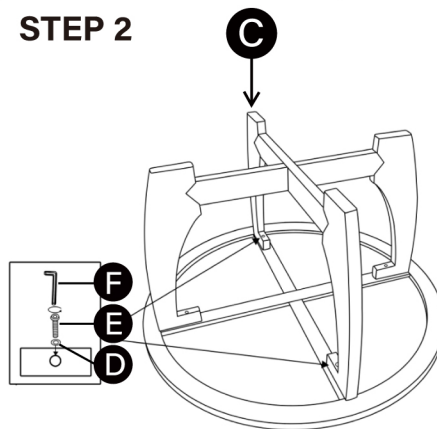
ITEM	PART	DESC.	QTY	ITEM	PART	DESC.	QTY
A		Table top	1	D		Flat washer	4
B		Wood base	1	E		Bolts (Ø8×50mm)	4
C		Wood base	1	F		Allen wrench	1

STEP 1



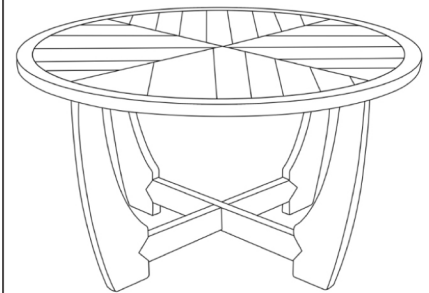
Flip the table top upside down, attach wood base B to the table top A using bolts and flat washers.

STEP 2



Attach wood base C to the table top A using bolts and flat washers.

STEP 3



Finished product. Please make sure all the bolts are fully tightened before styling.



WARNING

- Do not dispose of any packaging or contents of the shipping carton until assembly is completed to avoid accidentally discarding small parts or hardware.
- Choking Hazard – Adult assembly required. It may contain small parts and sharp points.
- Do NOT use power tools.
- This product can hold a maximum load of 25 Lbs. Do NOT overload.



COZAYH HOME