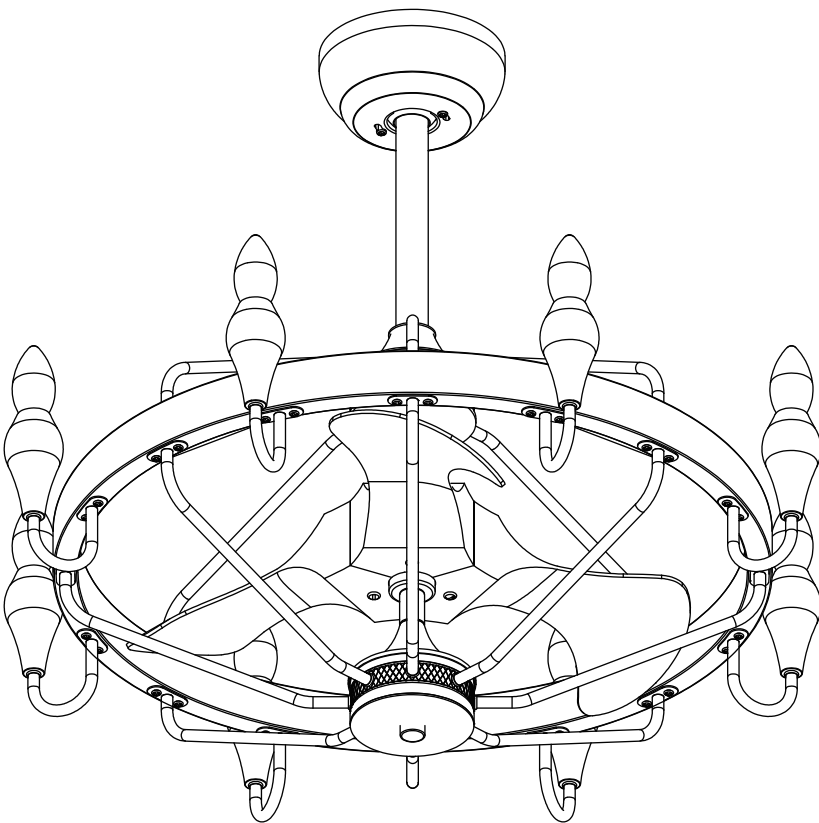


INSTALLATION MANUAL

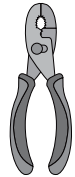
CEILING FAN WITH LIGHT



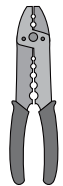
TOOLS REQUIRED



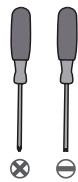
Ladder



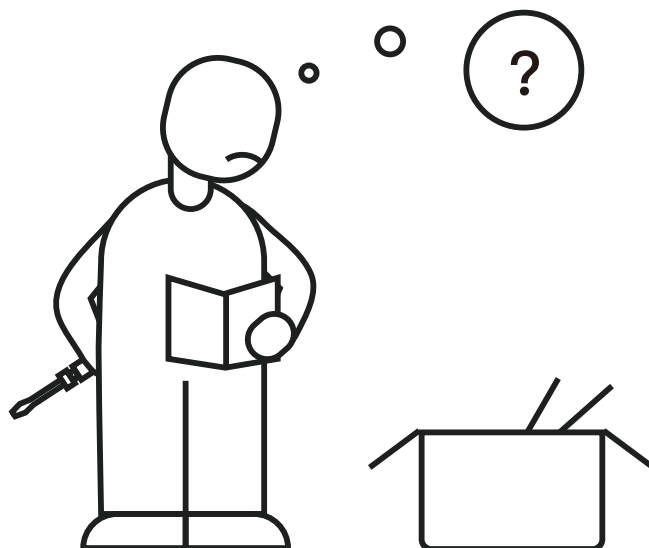
Pliers



Wire
Strippers



Screwdrivers

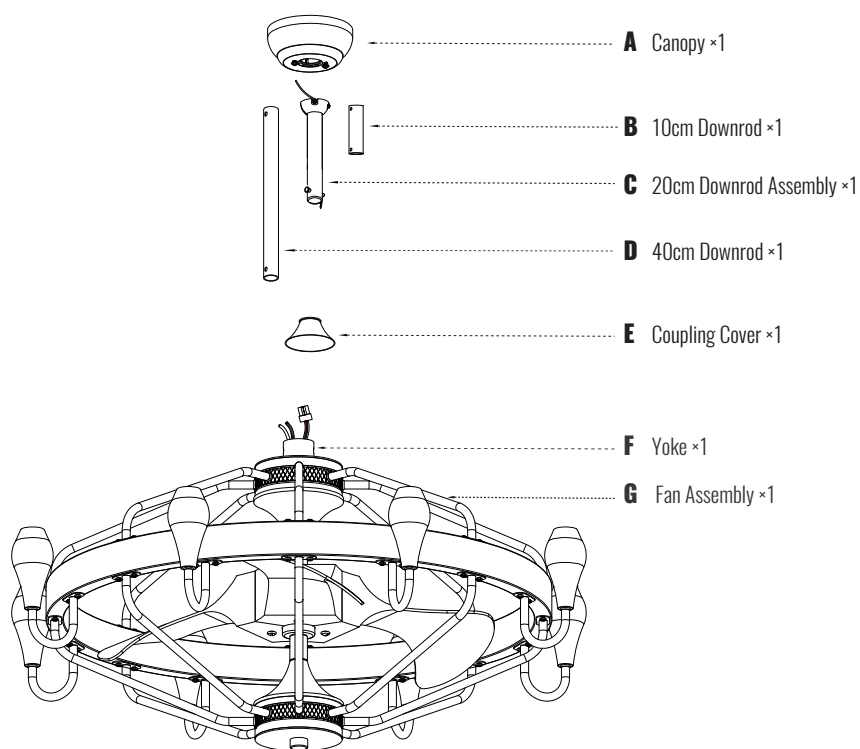


Please contact us with following information:



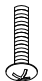


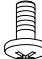

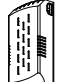





1. Screen shot of your order page, including product picture, name and order ID number.
2. Problem details with pictures / short video if possible.

PACKING LIST

Note: The light bulbs are not included in the packing list.



INSTALLATION KIT

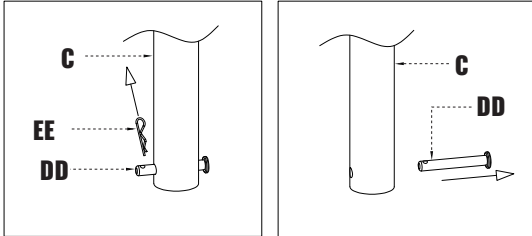
<p>AA</p>  <p>Mounting Bracket ×1</p>	<p>BB</p>  <p>Wire Nut ×5</p>	<p>CC</p>  <p>Outlet Box Screw ×2</p>	<p>DD</p>  <p>Clevis Pin ×1</p>	<p>EE</p>  <p>"R" Pin ×1</p>
<p>FF</p>  <p>Set Screw ×2</p>	<p>GG</p>  <p>Canopy Screw ×2</p>	<p>HH</p>  <p>Receiver ×1</p>	<p>II</p>  <p>Plastic Anchor ×2</p>	<p>JJ</p>  <p>Remote Holder Screw ×2</p>
<p>KK</p>  <p>Remote Control ×1</p>	<p>LL</p>  <p>Remote Holder ×1</p>	<p>MM</p>  <p>Pair of Gloves ×1</p>		

Note:

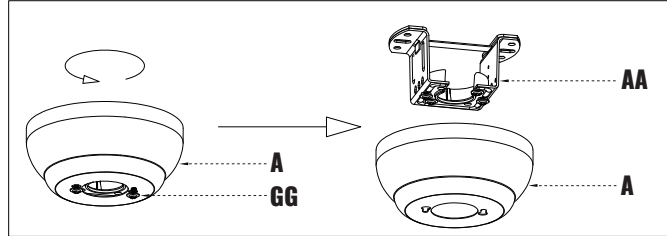
1. The listed quantity is for installation, extra hardware may be included.
2. Parts "AA, GG" have been pre-installed on canopy (A).
3. Parts "DD, EE" have been pre-installed on downrod assembly (C).
4. Parts "FF" have been pre-installed on yoke (F).
5. Remote control requires alkaline battery AAA 1.5V×2pcs (not included).

INSTALLATION

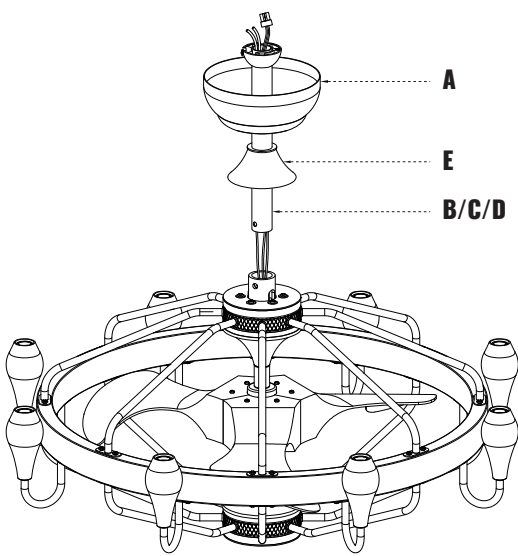
1. Assemble the Downrod And Canopy



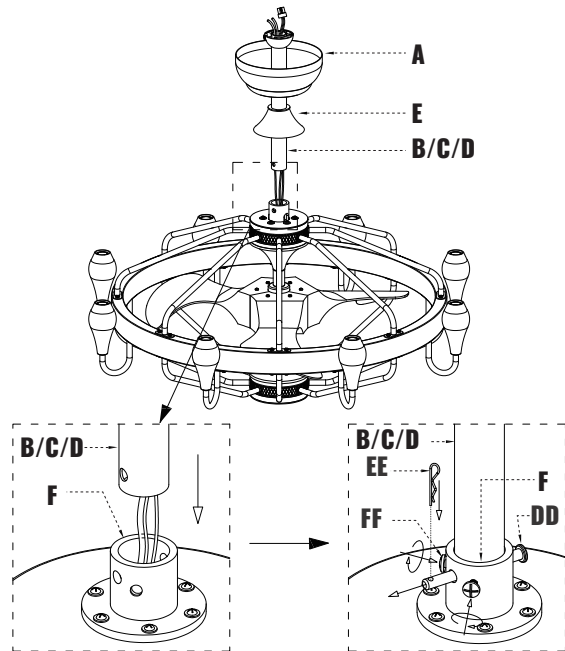
Step 1. Remove the "R" pin (EE) and clevis pin (DD) from the downrod assembly (C).



Step 2. Loosen the canopy screws (GG) from the canopy (A) but do not take off, rotate the canopy (A) to separate it from the mounting bracket (AA).

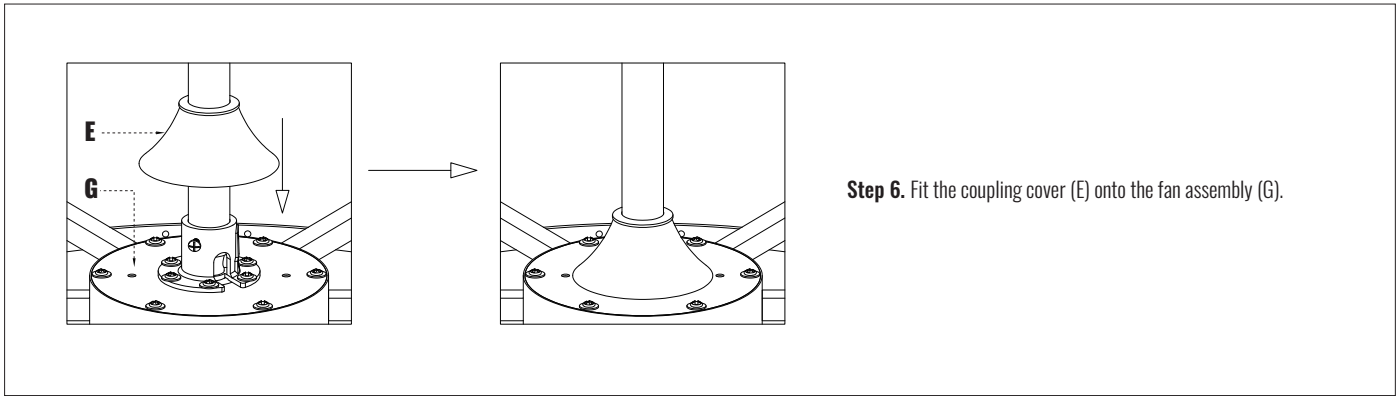


Step 3. Assemble the canopy (A) and coupling cover (E). Route wires from the fan through the downrod (B/C/D).



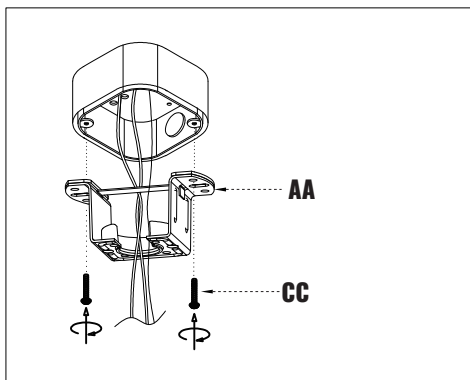
Step 4. Align the holes at the bottom of the downrod (B/C/D) with those in the yoke (F).

Step 5. Carefully insert the clevis pin (DD) through the holes in the yoke (F) and downrod (Be careful not to jam the clevis pin against the wires inside the downrod). Insert the "R" pin (EE) into the end of the clevis pin (DD). Tighten the previously removed set screws (FF) to secure the downrod.



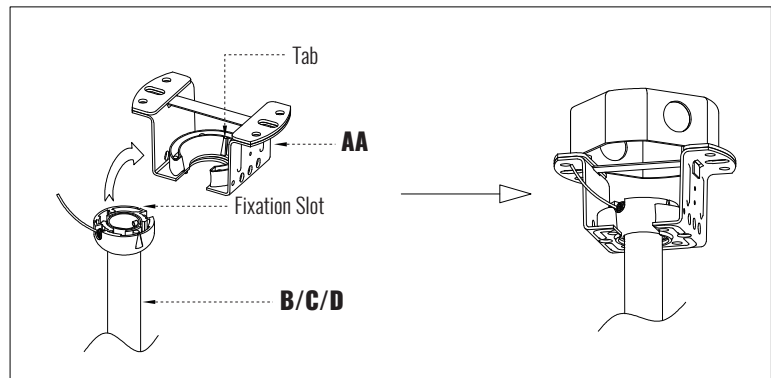
Step 6. Fit the coupling cover (E) onto the fan assembly (G).

2. Mount the Bracket



Take off the screws from outlet box, attach the mounting bracket (AA) to the box with screws taken off or provided (CC).

3. Hang the Fan

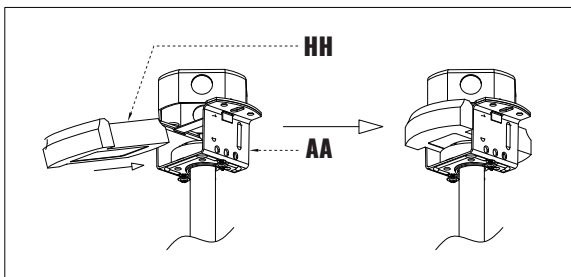


Lift the downrod (B/C/D) into the mounting bracket (AA). Rotate the downrod until the tab in the mounting bracket is seated in the fixation slot in the downrod ball.

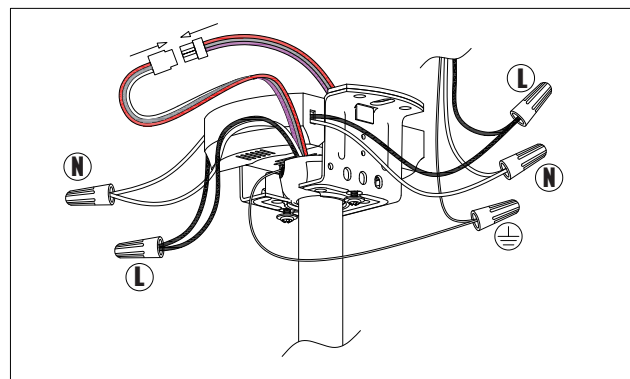
4. Connect the Wires

Note:

- ① This fan only needs one set of input wires (black, white, and ground wire). Both of the fan and lights will be controlled by the remote controller.
- ② This fan can only be connected to an on/off switch if you have one, not a dimmer switch.



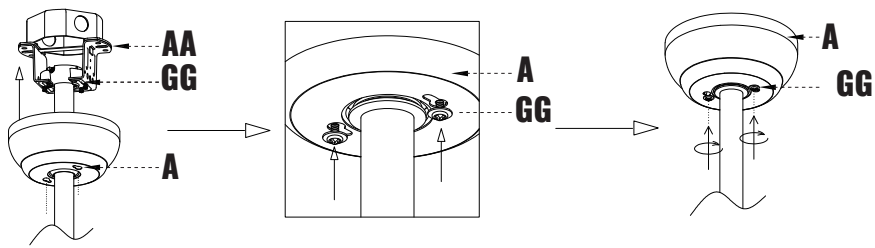
Step 1. Insert the receiver (HH) into the gap of mounting bracket (AA).



Step 2. Connect the wires on the fan and the receiver (HH).

Step 3. Connect the wires from the receiver to the house supply wires with wire nuts (BB), ground wire (green, green/yellow, or bare copper) to ground wire, neutral wire (white) to neutral wire, and hot wire (black) to hot wire. Wrap the connection with electrical tape.

5. Attach the Canopy



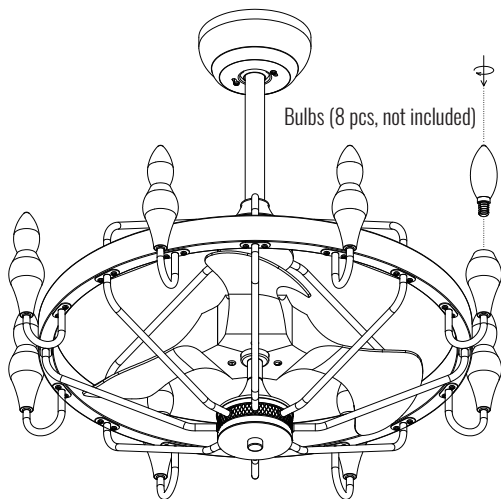
Step 1. Loosen the canopy screws (GG) from the mounting bracket (AA) but do not take off.

Step 2. Push canopy (A) up to the ceiling, making canopy screws (GG) go through the screw holes on canopy (A), then rotate canopy (A) to make it lock onto the canopy screws (GG).

Step 3. Tighten the canopy screws (GG) to secure the canopy (A).

6. Install Light Bulbs

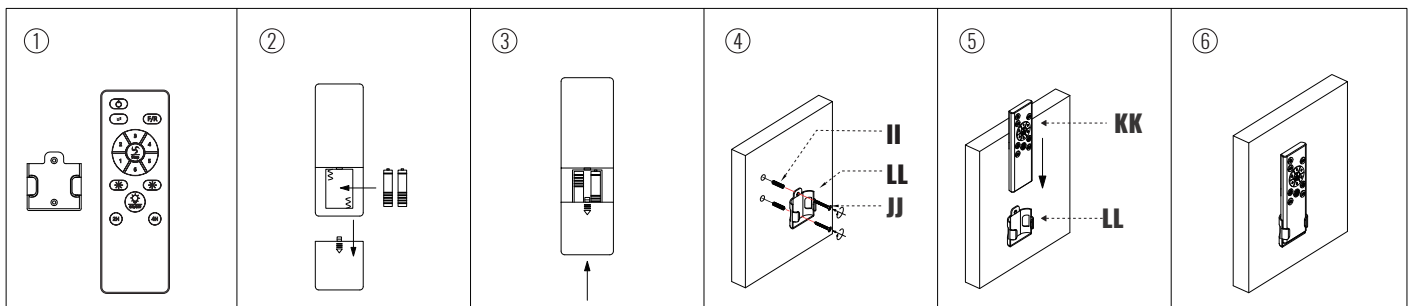
Install light bulbs (Use only E12 LED bulbs, max 8W each).



Note:

1. Dimming requires dimmable LED bulbs, max 8W per bulb.
2. For bulbs with color temperature control, repeatedly switch "on" and "off" using the wall switch or the remote's "light ON/OFF" button (button ⑨) to change settings.

REMOTE CONTROL INSTRUCTIONS



1. Insert 2 batteries before using: AAA 1.5V battery x 2pcs (not included).

2. Mark and drill screw holes in the wall, then insert the plastic anchors (II).

3. Use remote holder screws (JJ) to fix the remote holder (LL) onto the wall.

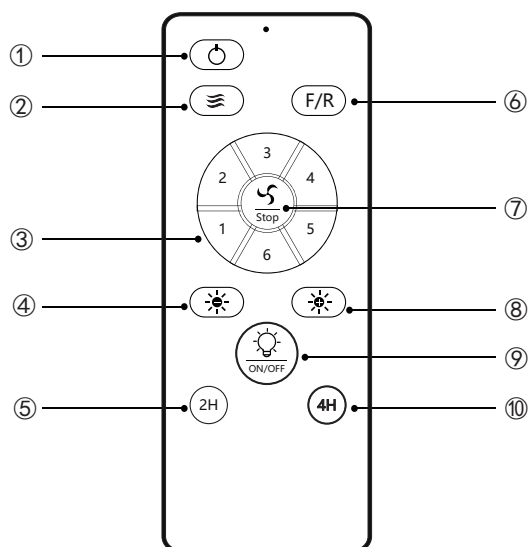
REMOTE CONTROL INSTRUCTIONS

NOTE:

Please insert 2 batteries before using: AAA 1.5V battery x 2pcs (not included).

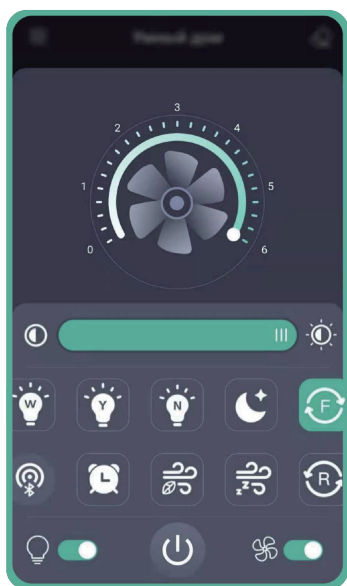
- ① Turn off the fan and lights.
- ② Natural wind. The fan's speed will change automatically.
- ③ Turn on the fan on 1/2/3/4/5/6 speed.
- ④ ⑧ Change the brightness of the light.
- ⑤ ⑩ 2H/4H for timing the fan.
- ⑥ Alternate the fan's rotation between forward and reverse.
- ⑦ Turn off the fan.
- ⑨ Turn on/off the lights.

REMOTE SIGNAL PAIRING: If the remote control loses signal with the fan, turn off the power from the wall switch, then turn it back on, immediately press button ⑨ for around 3 seconds. After the fixture beeps or flashes, the reconnection is complete.



APP CONTROL INSTRUCTIONS

Install the "FanLamp Pro" app from Google Play, Apple App Store, or other app stores by scanning the QR code or searching for the app name. Ensure that your phone is connected to the internet and Bluetooth enabled.



- Pairing: Click the pair button within 5 seconds after turning on the fan from the wall switch. Once the fan flashes or beeps, it has been successfully paired with your phone and can now be controlled through the app.
- Slide the slider to change the fan speed.
- Slide the slider to change the brightness of the light.
- Quick switch for "White" light color. (Not supported)
- Quick switch for "Yellow" light color. (Not supported)
- Quick switch for "Natural" light color. (Not supported)
- Night mode: Dim the lights. (Not supported)
- Fan moves forward.
- Fan moves reversely.
- Change the direction of the wind. (Not supported)
- Timing the fan.
- Natural wind: The fan speed will change automatically when you use this function.
- Sleeping wind. (Not supported)
- Turn on/off the light.
- Turn on/off the fan.
- Unpairing: Click the unpair button within 5 seconds after turning on the fan. Once the fan flashes or beeps, it has been successfully unpaired from your phone.

Trouble Shooting

1. Fan doesn't work

- Make sure the fixture is connected to an ON/OFF wall switch, not dimmer switch.
- Check the remote control battery (not included in this package).
- Check the circuit breaker to ensure the power is on.
- Turn off power from the circuit breaker, then loosen the canopy and check all the connections according to the wiring diagram.

2. Lights Do Not Light Up / Flicker / Noisy Operation

- Make sure the fixture is connected to an ON/OFF wall switch, not dimmer switch.
- Check your power and switch to make sure it's power on.

3. Noisy Operation

- Re-tighten all screws on bracket.
- Check to see if any of the blades are cracked. If so, replace the blades.

4. Remote does not work

- Make sure the battery is installed correctly.
- Pair the remote control again (See page 7).
- Install 2 new batteries.

Clean And Care

To clean, wipe the fixture with soft cloth. Spray from chemical cleaners can discolor the finish of the fixture. Do not use scouring pads, powders, steel wool or abrasive paper to clean this fixture.

Ordering Parts

Keep this manual for future reference, and in case replacement parts are needed. Available parts can be ordered from place of purchase. Use exact wording from diagrams when ordering parts.