

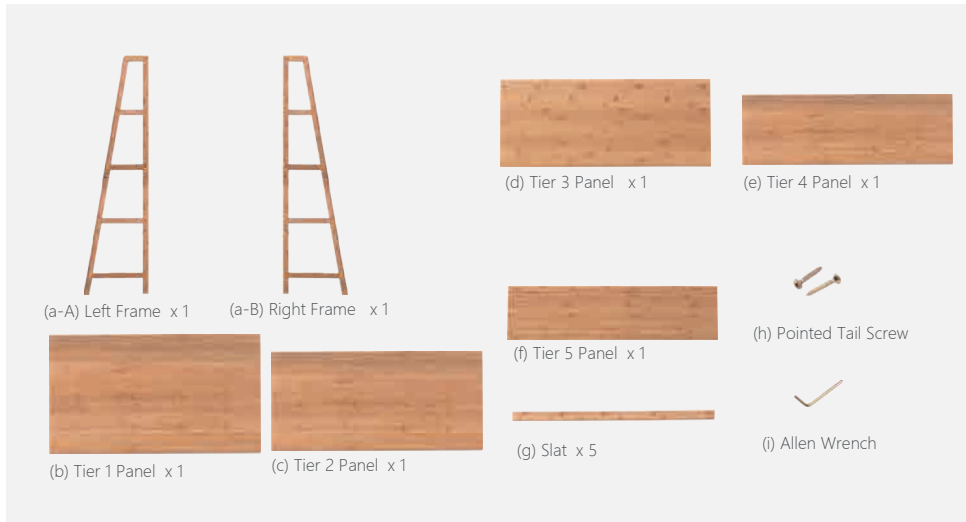
## USER GUIDE

# BOOKSHELF

Natural / Stylish / Unique



## HARDWARE



## ! ATTENTION

- 1 Please always read and follow the assembly, maintenance and operating instruction.
- 2 Do not discard any of the packaging until you have checked that you have all the parts and pack of fittings.
- 3 Keep children away during assembly. This item contains small parts which can be swallowed by children.
- 4 Wipe frames with water gently, do not use bleach, acid, or other solvents.
- 5 Check all hardwares before assembly. Incorrect parts used may lead to damage.

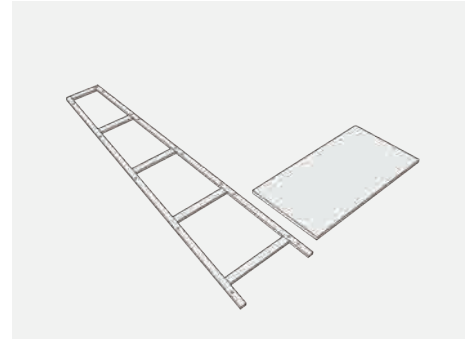


Scan the QR code to view the assembly video.

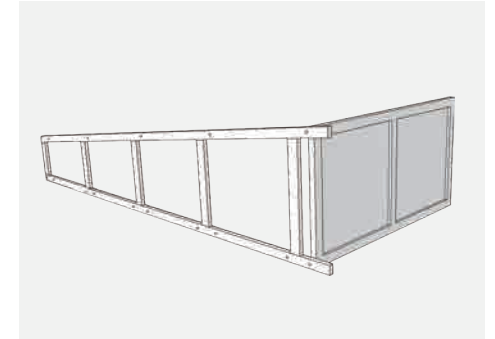


FINISHED PRODUCT

## ASSEMBLY INSTRUCTIONS ( Please wear glove during install )

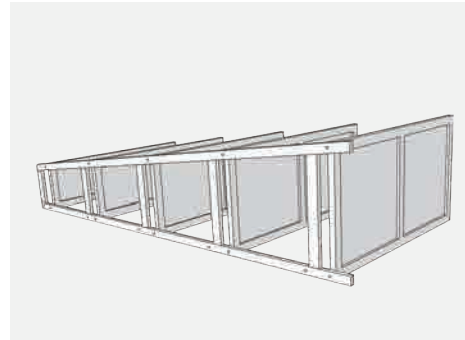


1 Position Left Frame (a-A) and Tier 1 Panel (b).

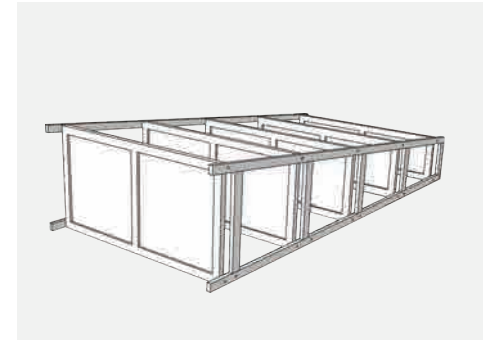


2 Secure Left Frame (a-A) and Tier 1 Panel (b) as picture shown.

© 2020 - 2023 by Pundarika LLC - MoNiBloom.com



3 Secure Panel (c,d,e,f) as picture.



4 Secure Right Frame (a-B).



5 Stand the rack as picture shown.



6 Install Slat (e) on the rack.