

INSTALLATION









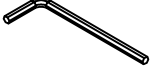
- If you have any questions with the product, please contact us by:
- **Email:**
(we will reply to you within 24 hours)

Assembly Instructions

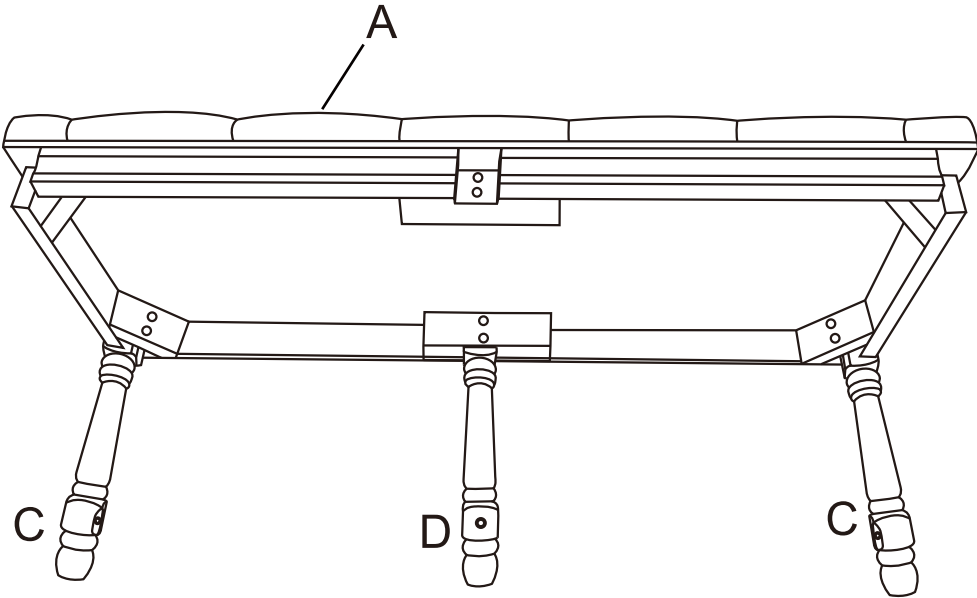
Your bench comes packaged in one box. Carefully remove all of components from the packaging and set aside for assembly.

CAUTION:
DO NOT use any sharp objects to open plastic wrapped components as damage to product or components may result.

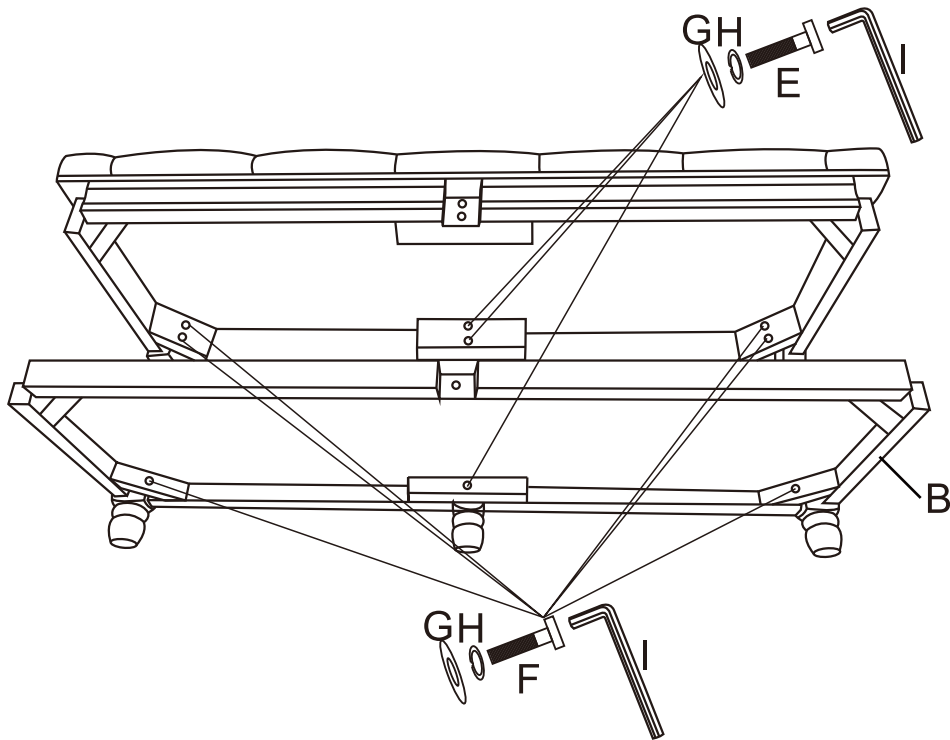
Package Contents

A×1 	B×1 	C×4 	D×2 
seat cushion	seat cushion	legs	legs
E×6  M8×50MM	F×12  M8×60MM	G×18  (Ø8×Ø22)×1.5MM	H×18  (Ø8×Ø13)×2MM
round hex screw	round hex screw	spring washer	flat washer
I×1 			
hex wrench			

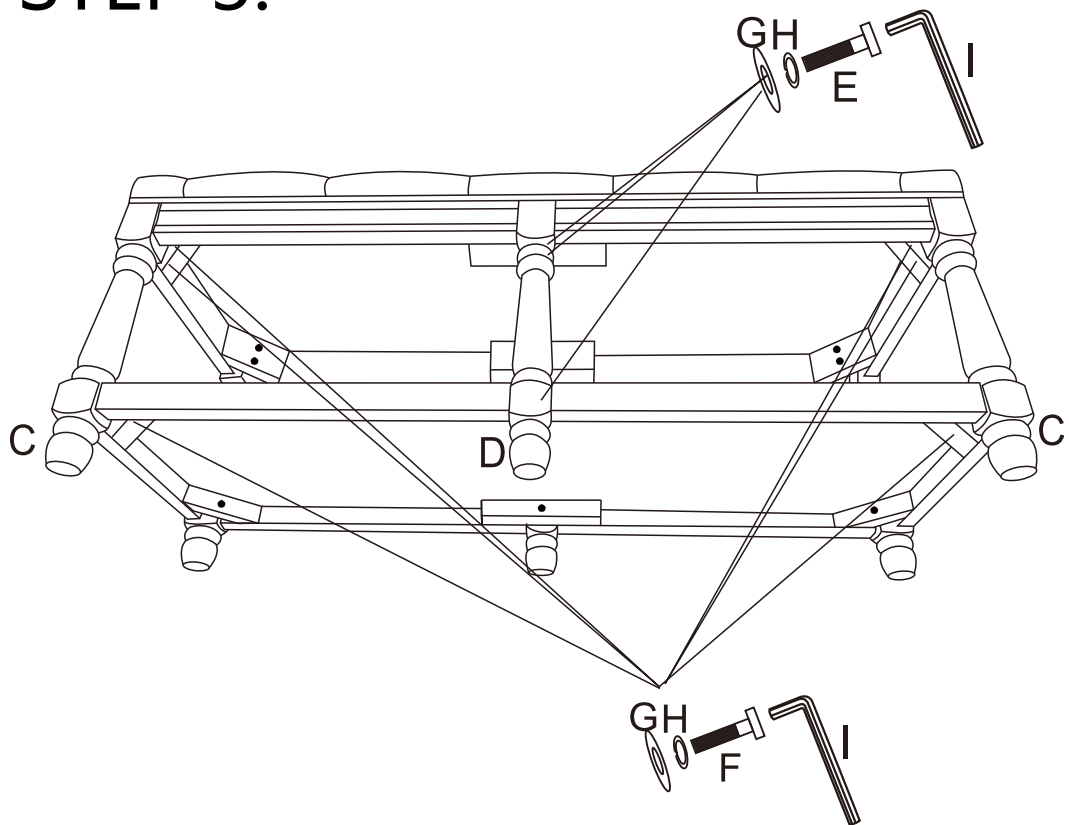
STEP 1.



STEP 2.



STEP 3.



Finished Product

