

**FEATURES**

- 60.04" x 30.43" x 27.56" freestanding bathtub.
- Artificial stone material.
- Center drain location. Spring-loaded chrome finish bottom drain included.
- Built-in overflow.
- 10 Year Limited Residential Warranty  
3 Year Commercial Warranty

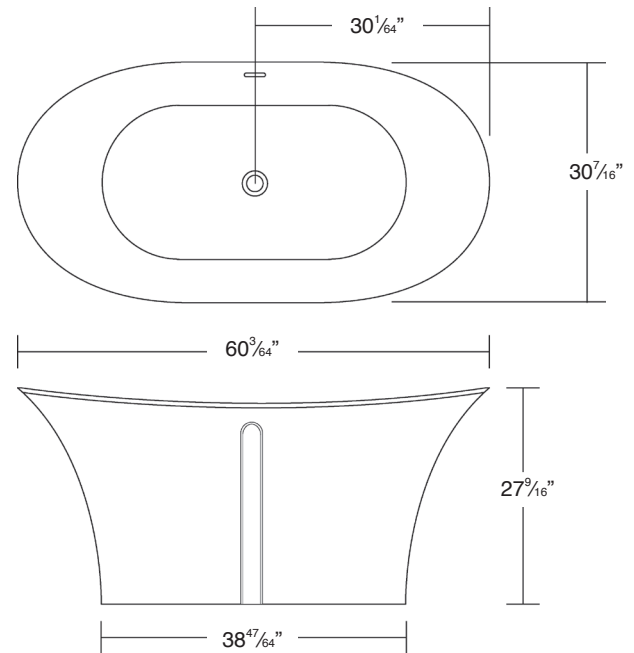
**COLORS/FINISH**

- 01 White
- 08 Biscuit
- 09 Black
- (V) velvet finish



**Specified Model**

Model	<b>SAN6030</b>
Dimensions	L60 <sup>3</sup> / <sub>64</sub> " x W30 <sup>7</sup> / <sub>16</sub> " x H27 <sup>9</sup> / <sub>16</sub> "
Drain Outlet	Center
Water Capacity	53 gallons
Cubic Feet	43.44
Item Weight	161 lbs.
Shipping Weight	276 lbs.
Material	Artificial Stone
Installation	freestanding, floor mounted
Required	floor or wall mount faucet not supplied



**To Be Specified:**

	<b>COLOR</b>
<input type="checkbox"/>	<b>01</b> White
<input type="checkbox"/>	<b>08</b> Biscuit
<input type="checkbox"/>	<b>09</b> Black
	<b>FINISH</b>
<input type="checkbox"/>	<b>V</b> Velvet
	<b>DRAIN COVER</b>
<input type="checkbox"/>	<b>C</b> Chrome

**Compliance Certifications -  
Meets or Exceeds the Following Specifications:**

- CSA B45.5/IAPMO Z124

