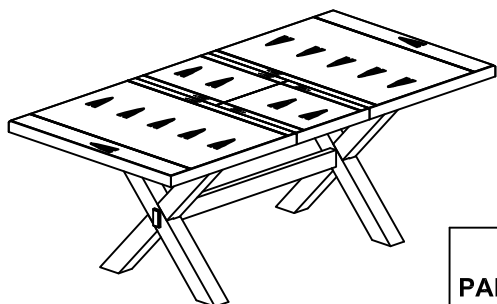


# Assembly instructions for 963-240 Trestle Table

**Caution:** Please read instructions thoroughly before unpacking assembly parts. Sharp, exposed staple tips can cause injury, therefore, for your protection, please remove any exposed staples used in packing.

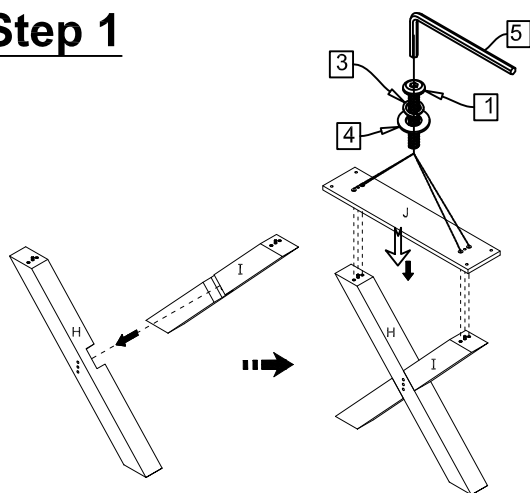
1. We recommend that you should assemble this product with the assistance of another person; this will make assembly easier, and will help to eliminate damage to the product or injury to persons during assembly.
2. Be sure to check all packing materials carefully for small parts that may have come loose inside the carton during shipment.
3. Please do not over tighten screws or bolts.
4. Please put all parts on a non-abrasive floor before assembly, and follow the assembly steps to assemble your newly purchased product correctly and efficiently.



NO.	HARDWARE LIST (963-240)		Q'TY
1		(M8*40MM) BOLT	16+1 pieces
2		(M8*100MM) BOLT	4+1 pieces
3		(Ø5/16 ***13*1.5MM) SPRING WASHER	20+1 pieces
4		(Ø5/16 ***16*2MM) FLAT WASHER	20+1 pieces
5		(L57*4MM) ALLEN KEY	1 piece
6		Ø15*100MM Touch-Up Pen	1 piece

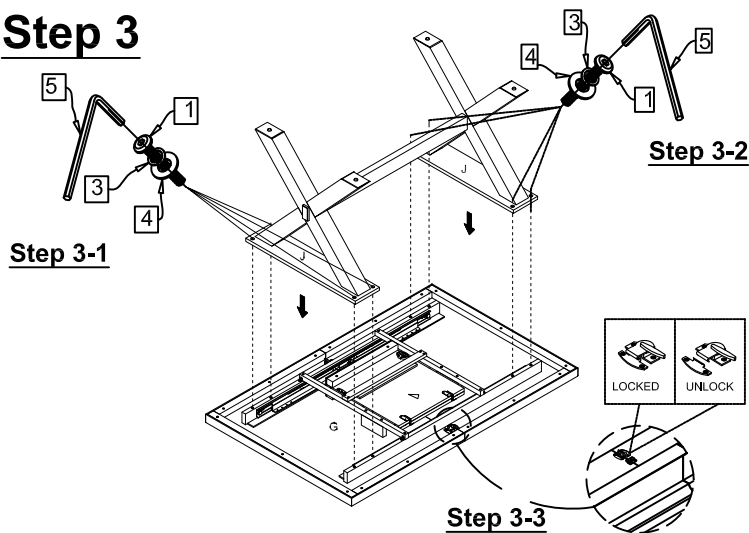
PARTS LIST						
	Table top 1pc	Table leg 2pcs	Table leg 2pcs	Mounting plate 2pcs	Bottom stretcher 1pc	Decorative wood 2pcs

## Step 1

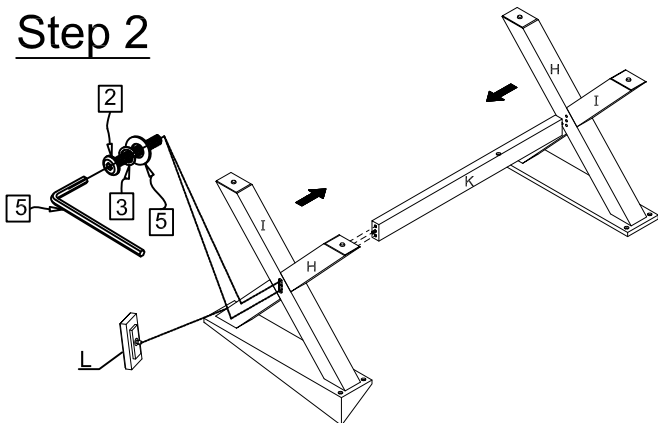


- Assemble the corner blocks to pedestal.

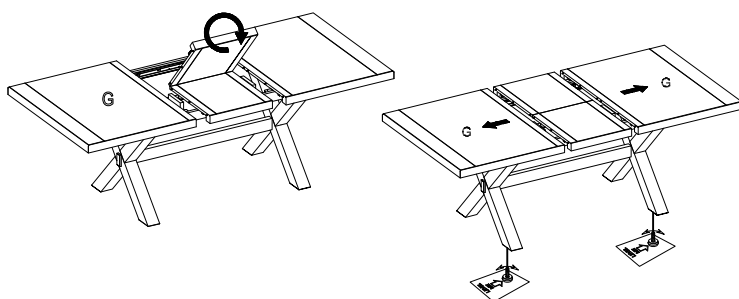
## Step 3



## Step 2



## Step 4



Assembly completed