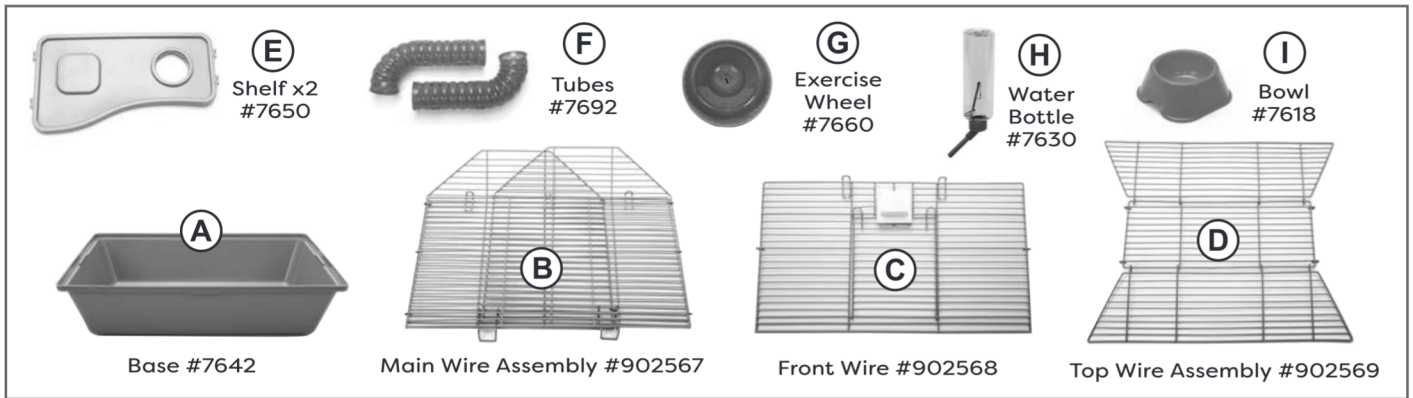


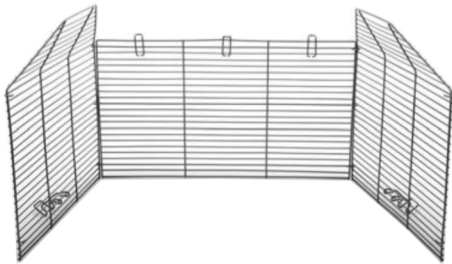
Hamster Starter Kit 17 inch

Assembly Instructions



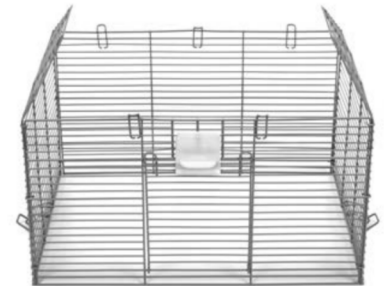
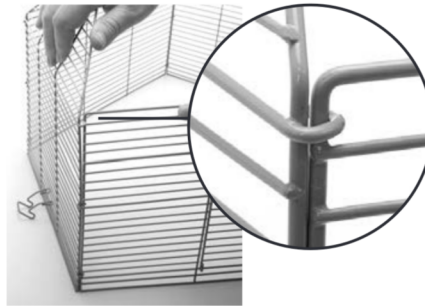
Step 1

Unfold the Main Wire Assembly (B).



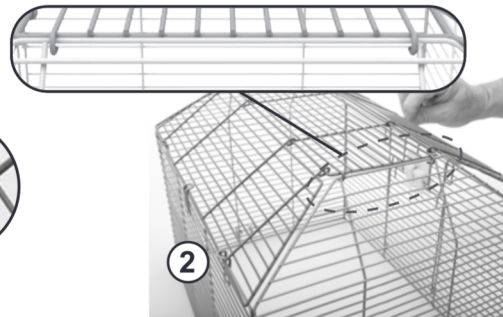
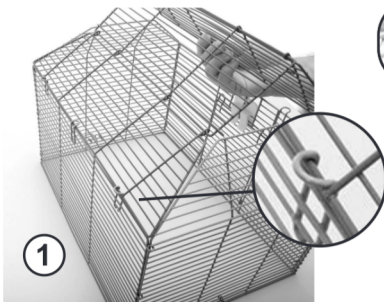
Step 2

Connect the Front Wire (C) to the Main Wire Assembly (B) by weaving together the wire hooks starting at the base and ending at the top.



Step 3

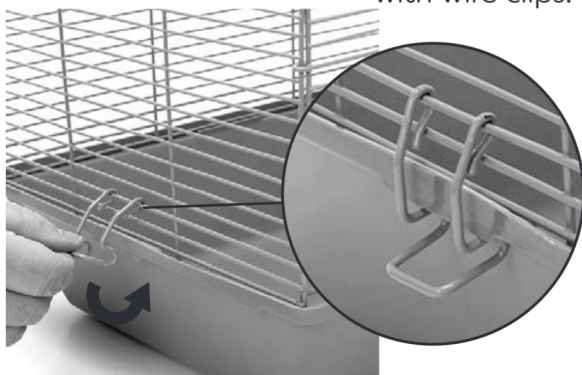
Connect Top Wire (D) to Main Wire Assembly (B) (Top wire hooks should face down). Start at back panel and weave together (1). Connect to side panels one at a time (2).



Completed Wire Assembly

Step 4

Connect the completed wire assembly to the Base (A) - secure with wire clips.



Step 5

On a flat surface connect the Tubes (F) to the Shelves (E) as pictured below.

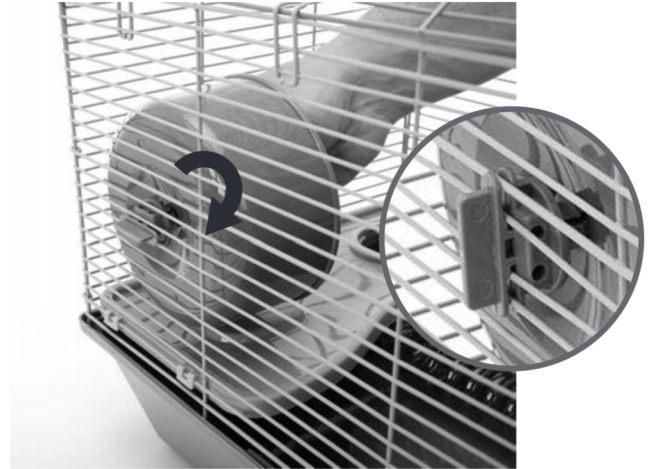


Step 6

Open the front panel of the Top Wire Assembly (D) and clip the shelves (E) with tubes (F) to the 3rd wire rung and the 17th wire rung.

**Step 7**

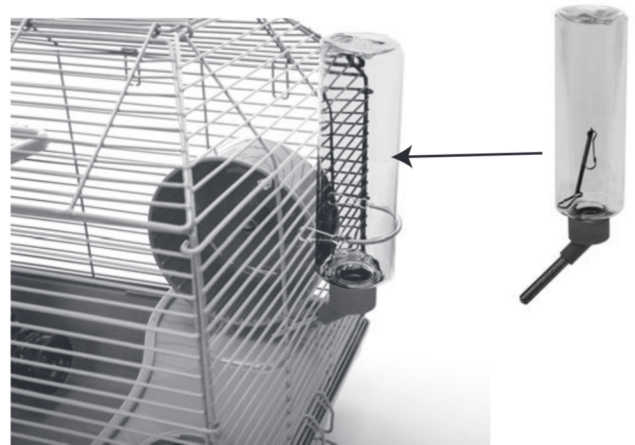
Connect the Exercise Wheel (G) to the back wire so that the wheel is 3/4 inch above the lower shelf level.

**Step 8**

Place the Bowl (I) over the raised section of the shelf.

**Step 9**

Attach the Water Bottle (H) to the side wire using the spring clip.

**Step 10**

Completed Hamster Starter Kit.

**Care Tip**

Your pet needs a constant supply of food and water as well as occasional treats. Provide your pet with fresh water and food daily. When re-filling the water bottle, remove from wire hanger and unscrew cap. Be sure to fill completely with cool, clean water and replace the cap.

(NOTE: A few initial drips are normal while the vacuum forms so the bottle will perform properly).

ware cares™

We care about the carbon pawprint we leave as a company and are committed to using recycled and recyclable material in the manufacturing of our packaging and pet products.

Revised - 02-11-22

Ware Mfg., Inc. claims copyright protection under U.S. and International Copyright Law in the attached sculptural work and in the content of this packaging. Copyright ©2022 Ware Mfg., Inc. All rights reserved.

If you have any questions or concerns about this product contact our customer service department at 1-800-295-2243 Mon-Fri 8:00 – 4:00 MST or email us at hello@warepet.com