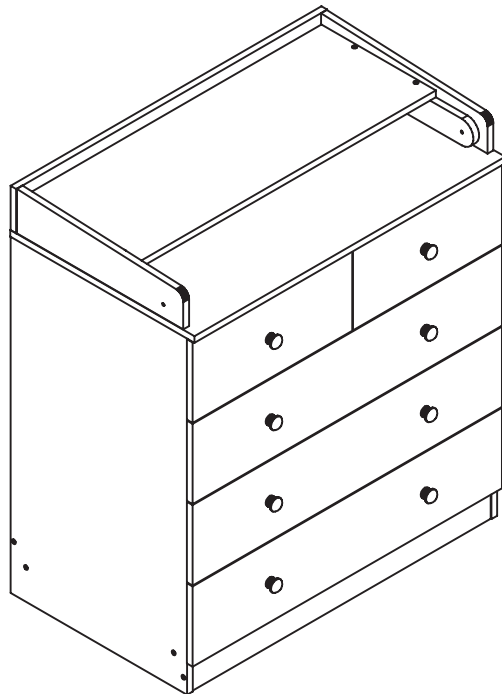











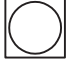
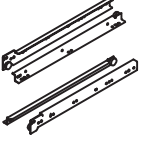



INSTRUCTIONS



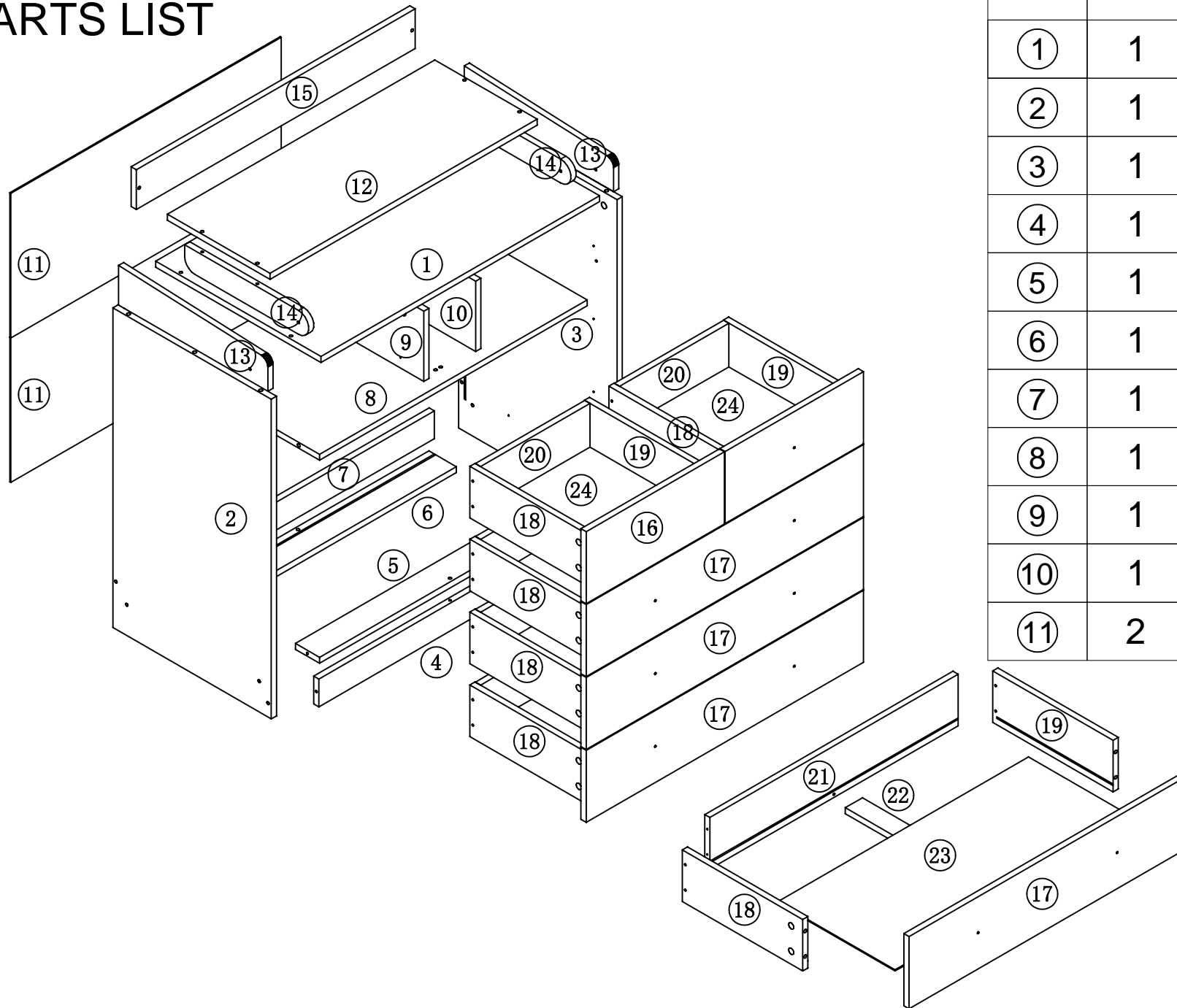
CHANGING UNIT 5 DRAWERS

IMPORTANT
KEEP FOR FUTURE REFERENCE & READ CAREFULLY

PARTS

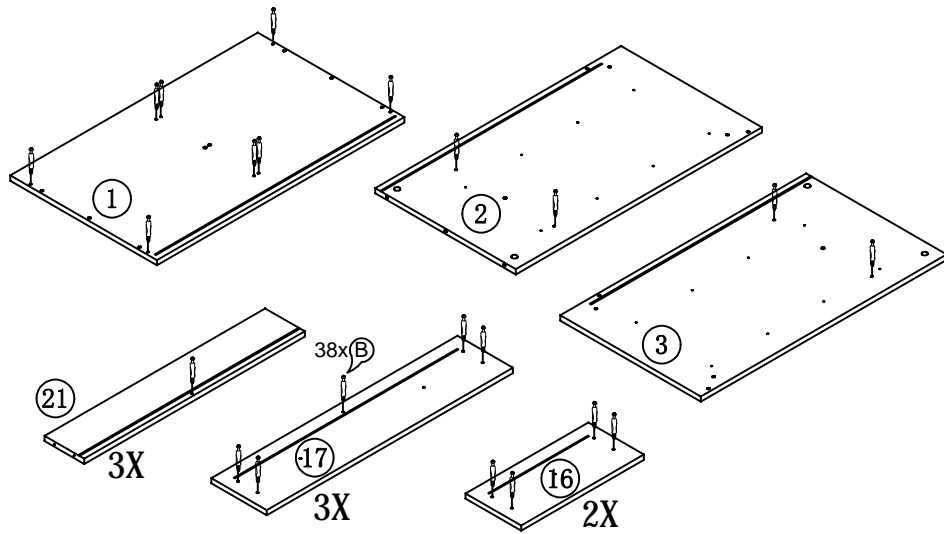
NO.	QTY.	LINEDRAWING
(A)	24	 7x50mm
(B)	38	
(C)	38	
(D)	8	 8x40mm
(E)	8	
(F)	5	
(G)	50	 3.5x14
(H)	20	 3.5x35mm
(I)	46	
(J)	38	
(K)	5	
(L)	1	
(M)	12	 3x14
(N)	2	

PARTS LIST

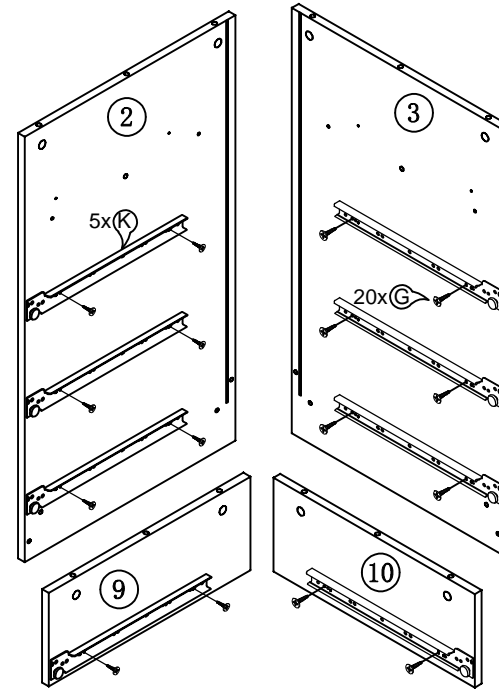


NO.	QTY.	NO.	QTY.
①	1	⑫	1
②	1	⑬	2
③	1	⑭	2
④	1	⑮	1
⑤	1	⑯	2
⑥	1	⑰	3
⑦	1	⑱	5
⑧	1	⑲	5
⑨	1	⑳	2
⑩	1	㉑	3
⑪	2	㉒	3
		㉓	3
		㉔	2

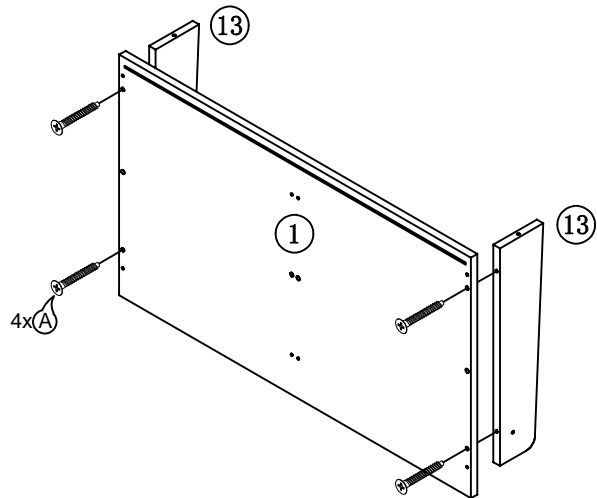
1



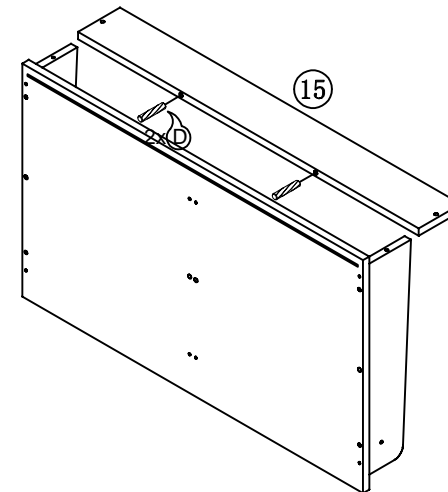
2



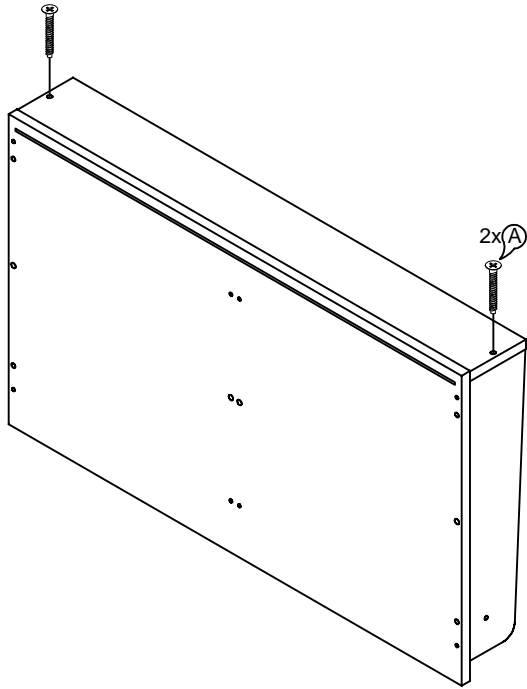
3



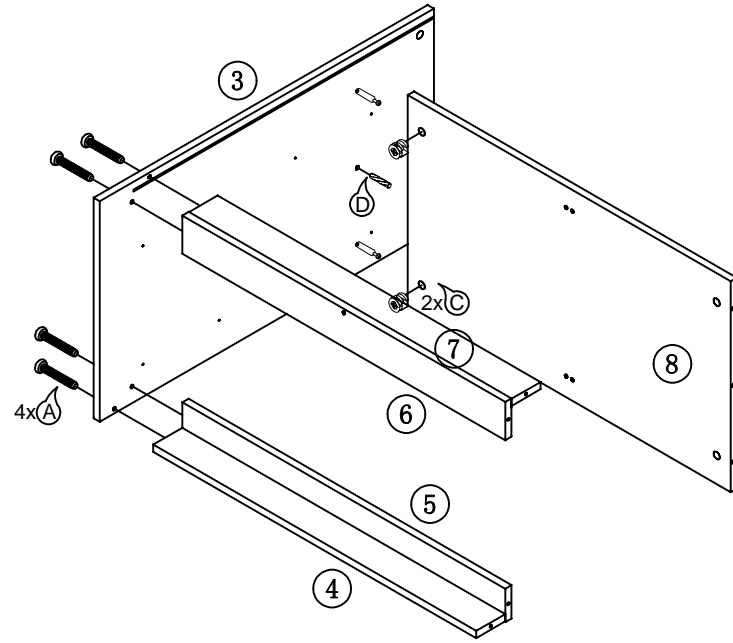
4



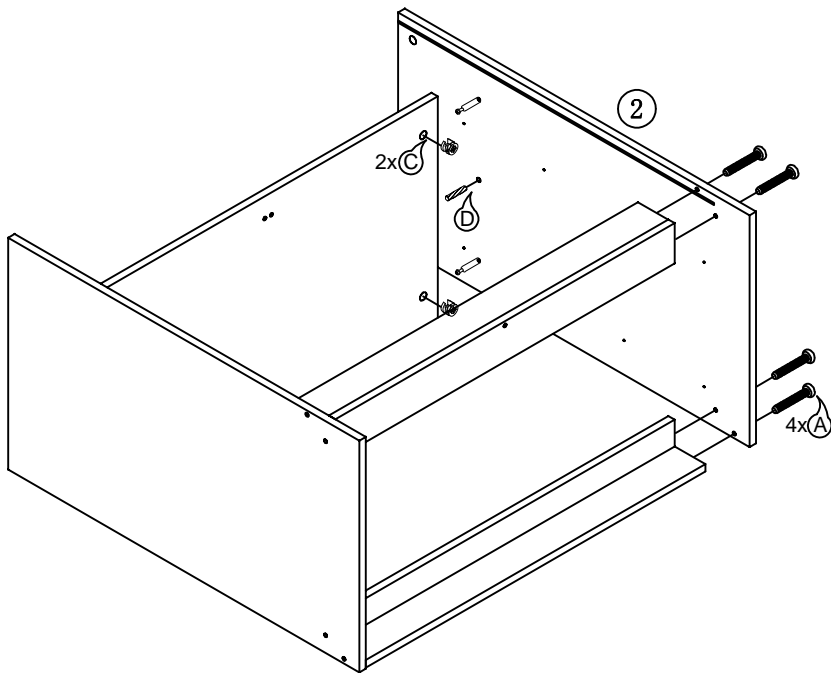
5



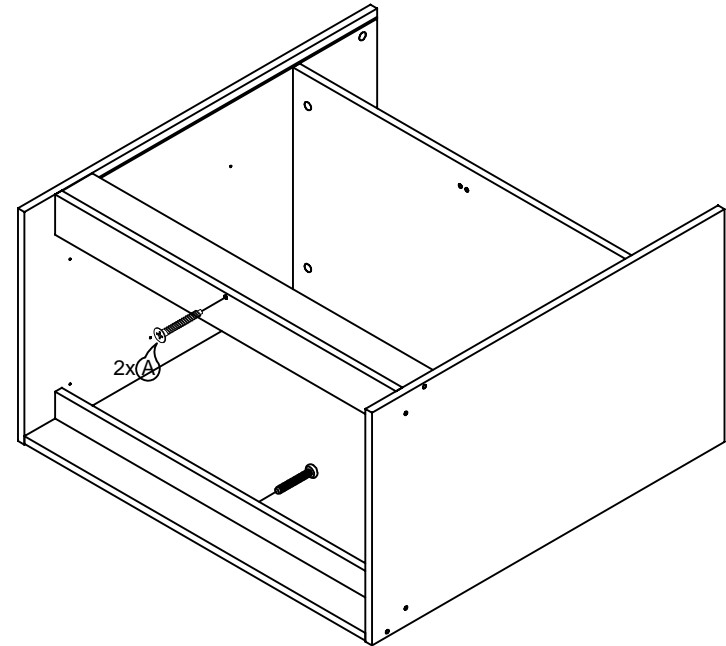
6



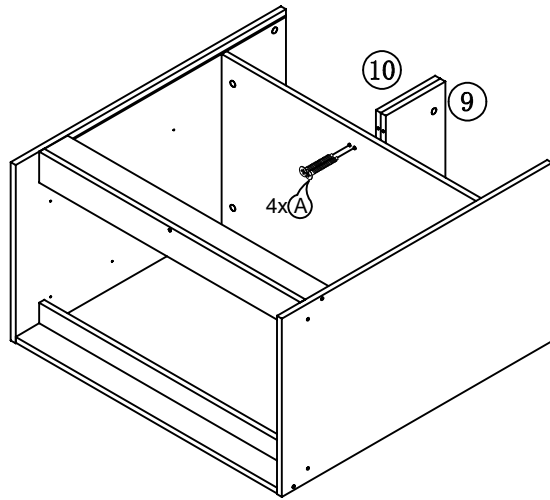
7



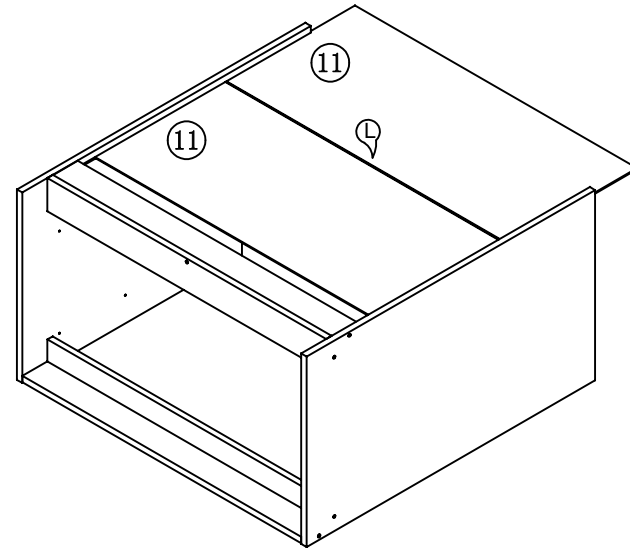
8



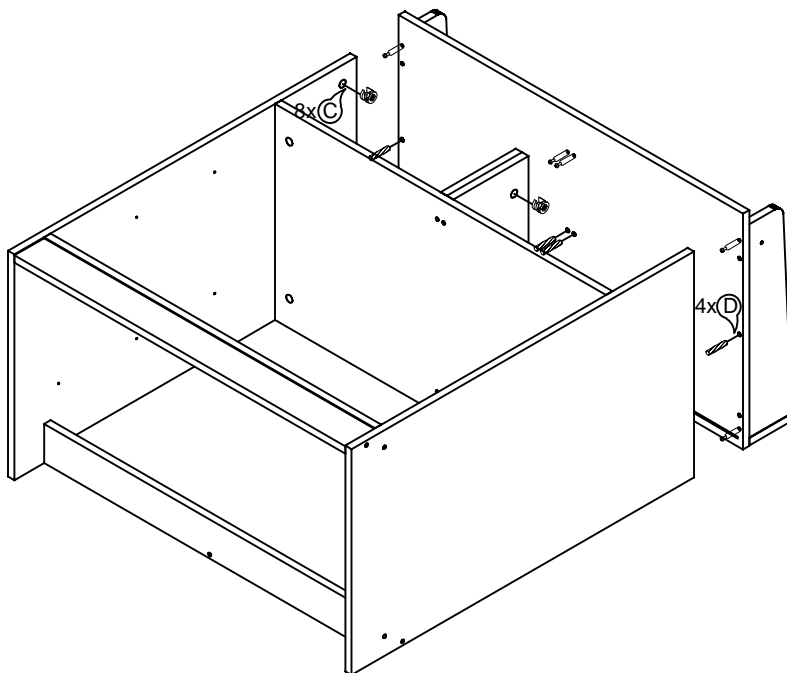
9



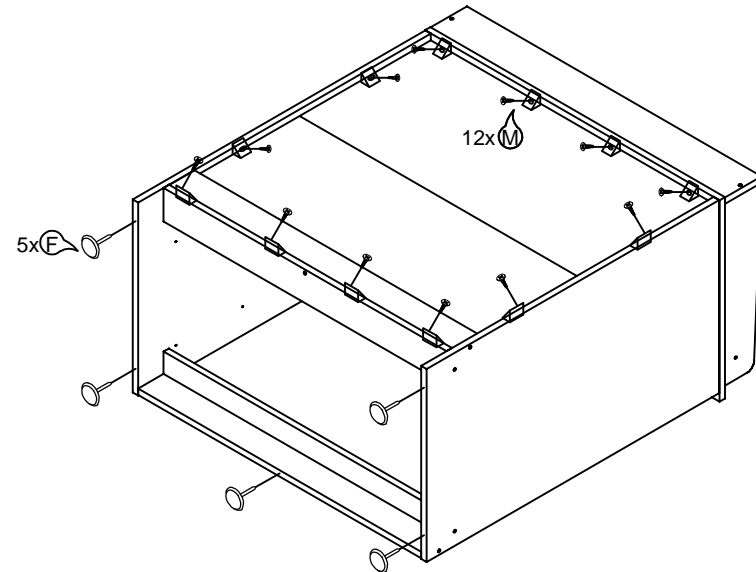
10



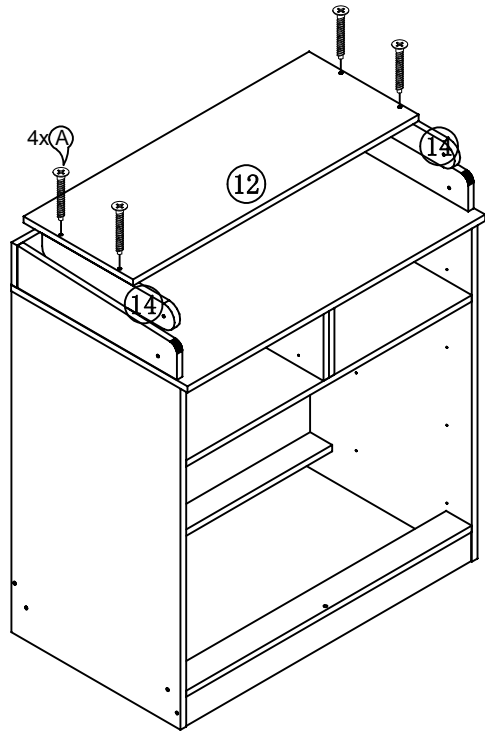
11



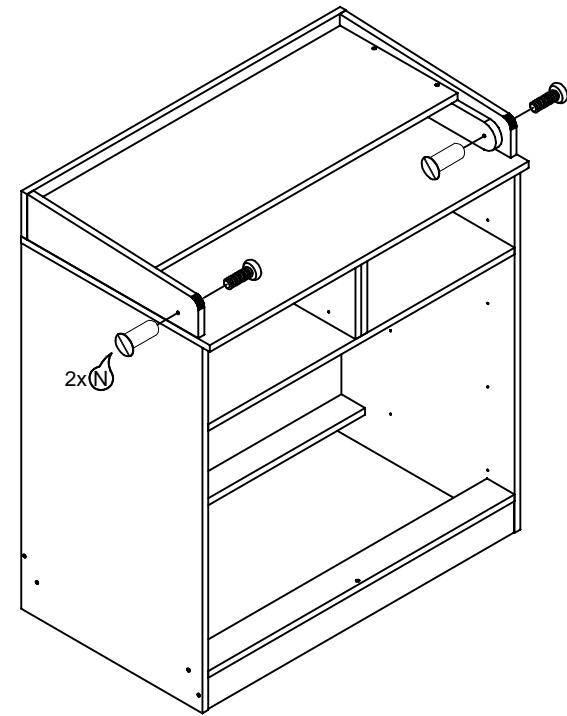
12



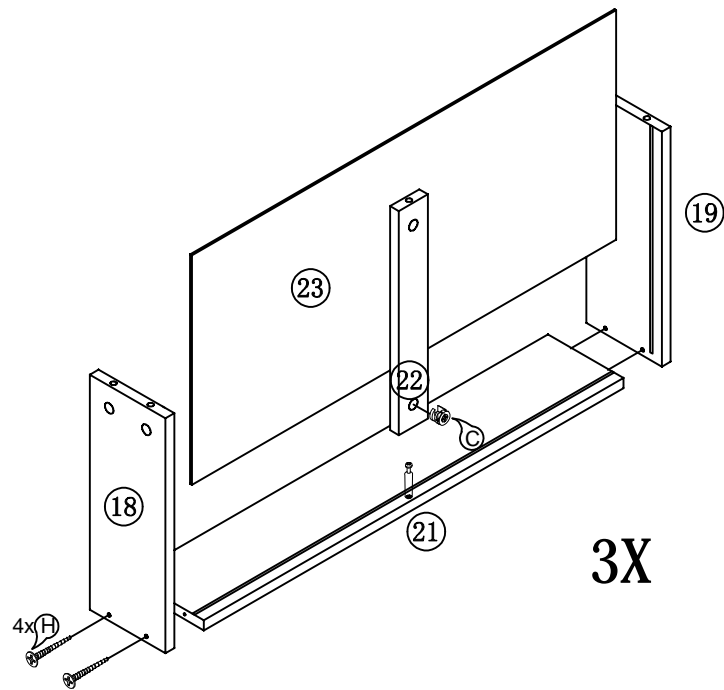
13



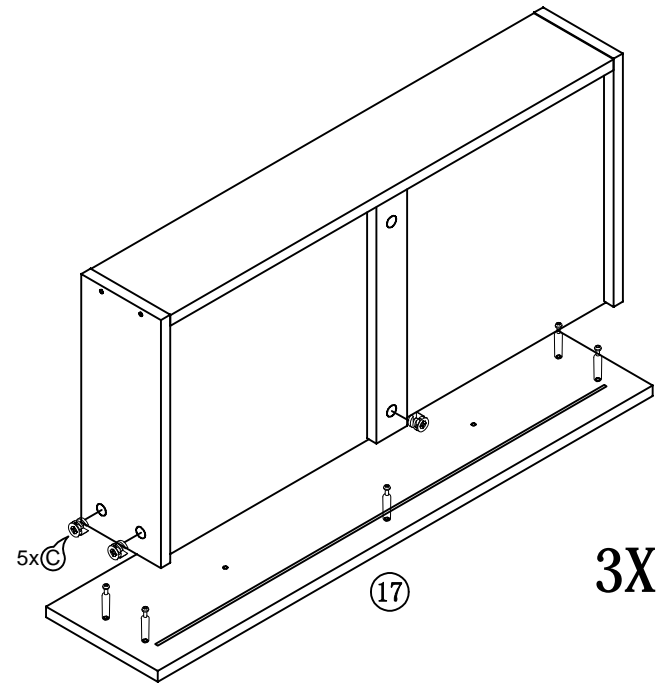
14



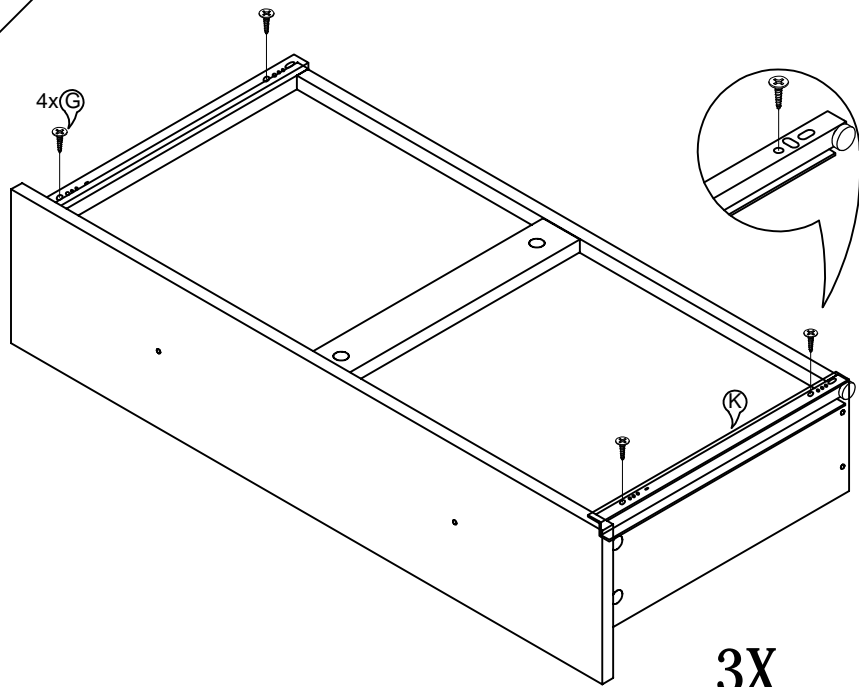
15



16

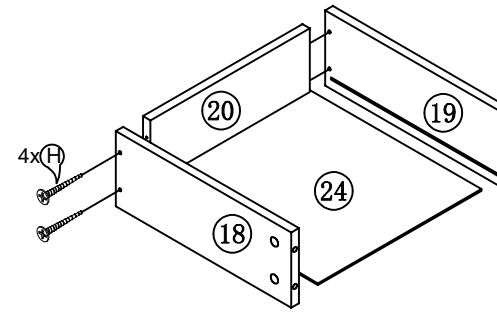


17



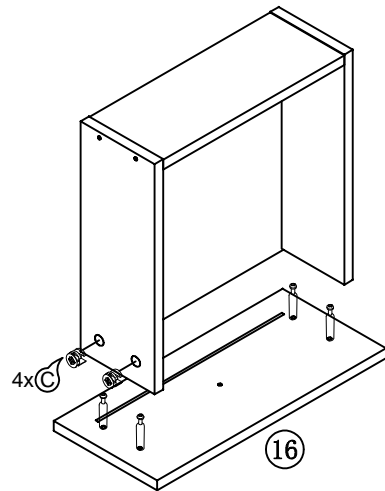
3X

18



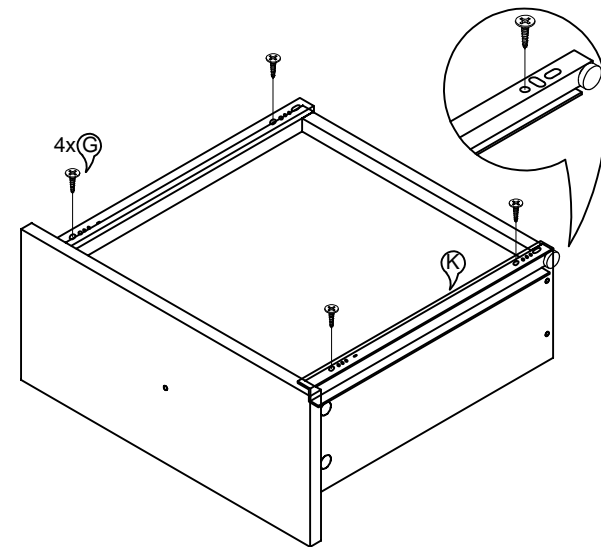
2X

19



2X

20



2X

