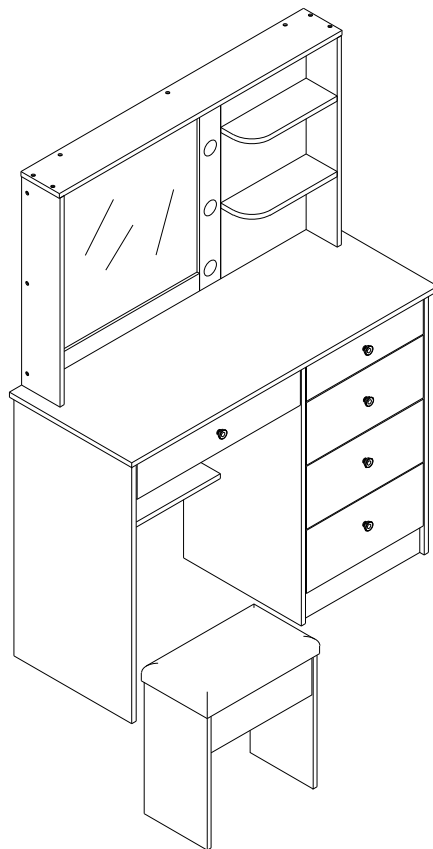


5 DRAWER DRESSING TABLE WITH  
OPEN SHELVES

ASSEMBLY

INSTRUCTIONS

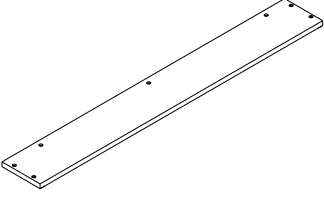
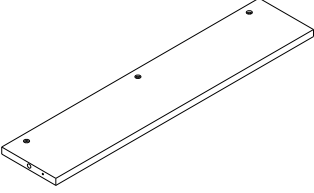
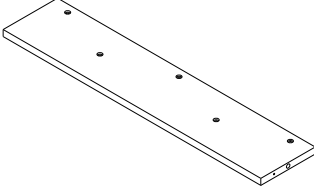
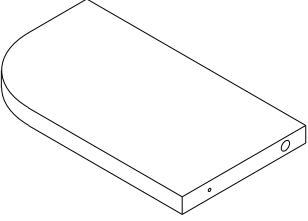
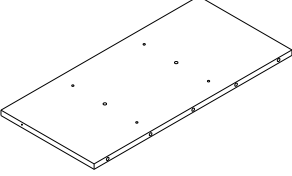
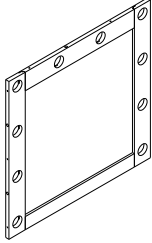
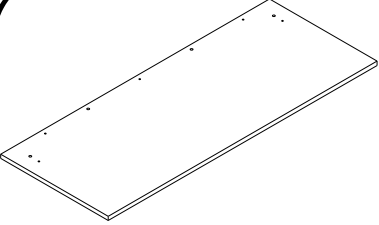
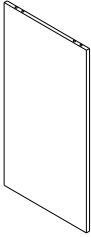
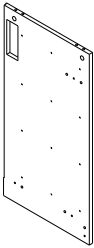
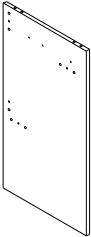
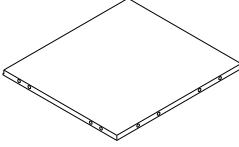
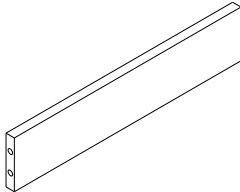
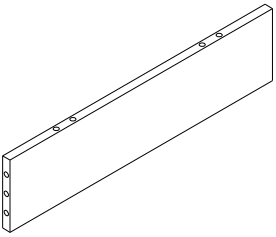
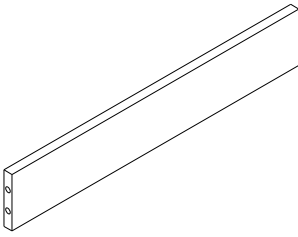
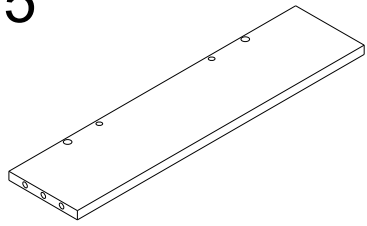
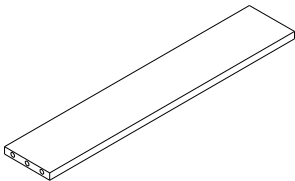
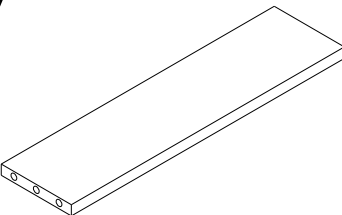
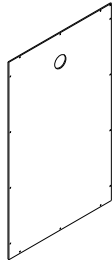


Thank you for purchasing this quality product. Be sure to check all packing material carefully for small parts, which may have come loose inside the carton during shipment. Count all parts and material hardware, then compare with parts list to be sure all parts are present. If any parts are missing or damaged, phone, fax, or mail to our Customer Service Department for efficient and speedy service. Please indicate the model number and code letter of part(s) needed.

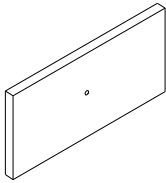
**NOTE:** In order to prevent damage during assembly, please assemble this item with at least two people.

**IMPORTANT NOTE:** Follow instructions listed below in proper sequence as numbered to assure fast, easy and correct assembly.

# PARTS LIST

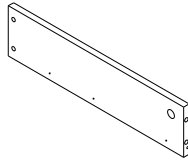
<p><b>1</b></p>  <p>TOP RAIL-1PC</p>	<p><b>2</b></p>  <p>TOP LEFT RAIL-1PC</p>	<p><b>3</b></p>  <p>TOP RIGHT RAIL-1PC</p>
<p><b>4</b></p>  <p>SHELF -2PCS</p>	<p><b>5</b></p>  <p>UPPER BACK PANEL -1PC</p>	<p><b>6</b></p>  <p>MIRROR FRAME -1PC</p>
<p><b>7</b></p>  <p>TOP PANEL-1PC</p>	<p><b>8</b></p>  <p>LEFT SIDE PANEL-1PC</p>	<p><b>9</b></p>  <p>RIGHT SIDE PANEL-1PC</p>
<p><b>10</b></p>  <p>STAND PANEL-1PC</p>	<p><b>11</b></p>  <p>BOTTOM PANEL-1PC</p>	<p><b>12</b></p>  <p>BOTTOM RAIL-1PC</p>
<p><b>13</b></p>  <p>BACK RAIL-1PC</p>	<p><b>14</b></p>  <p>MIDDLE RAIL-1PC</p>	<p><b>15</b></p>  <p>MIDDLE RAIL-1PC</p>
<p><b>16</b></p>  <p>RIGHT FRONT RAIL-1PC</p>	<p><b>17</b></p>  <p>RIGHT FRONT RAIL-1PC</p>	<p><b>18</b></p>  <p>BOTTOM BACK PANEL-1PC</p>

19



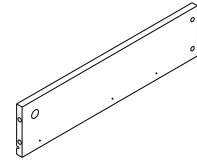
TOP DRAWER  
FRONT PANEL-1PC

20



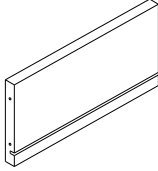
TOP DRAWER  
LEFT PANEL-2PCS

21



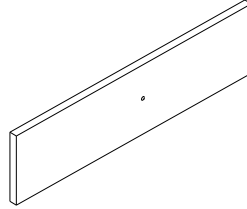
TOP DRAWER  
RIGHT PANEL-2PCS

22



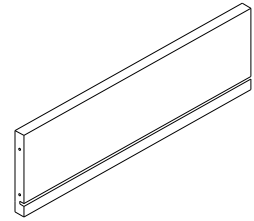
TOP DRAWER  
BACK PANEL-1PC

23



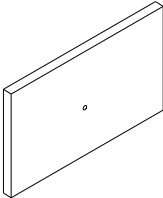
TOP DRAWER  
FRONT PANEL-1PC

24



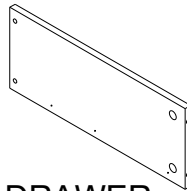
TOP DRAWER  
BACK PANEL-1PC

25



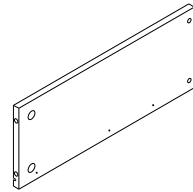
LOWER DRAWER  
FORNT PANEL-3PCS

26



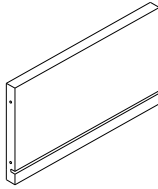
LOWER DRAWER  
LEFT PANEL-3PCS

27



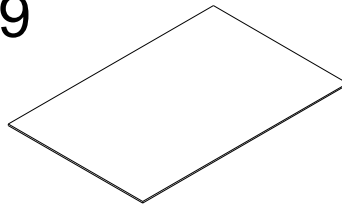
LOWER DRAWER  
RIGHT PANEL-3PCS

28



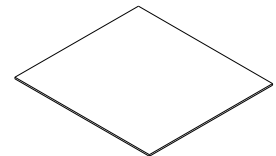
LOWER DRAWER  
BACK PANEL-3PCS

29



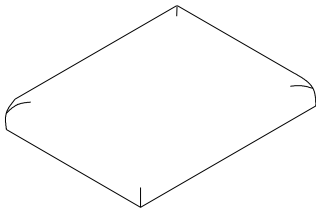
BIG DRAWER  
BOTTOM PANEL-1PC

30



SMALL DRAWER  
BOTTOM PANEL-4PCS

31



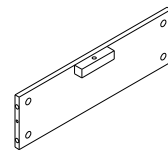
SEAT FRAME-1PC

32



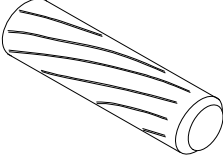
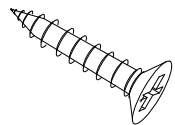
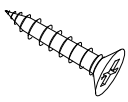
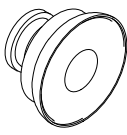
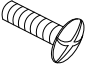
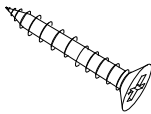
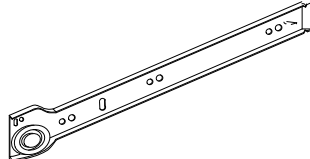
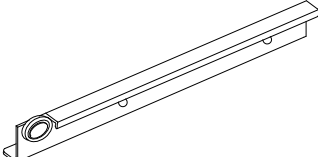
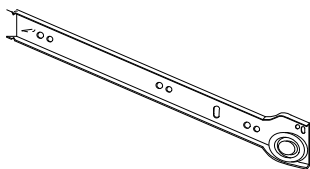
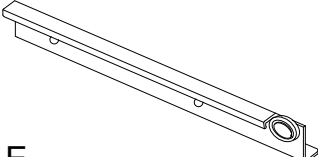


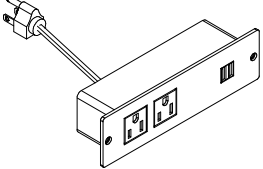
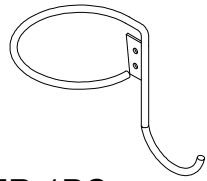
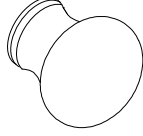
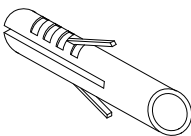
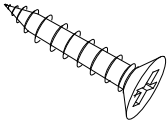
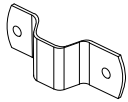
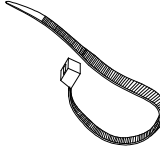



CHAIR SIDE PANEL-2PCS

33

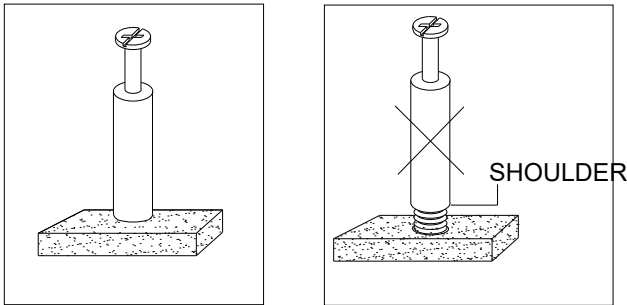


CHAIR  
FRONT/BACK PANEL-2PCS

<p><b>A</b></p>  <p>CAM-BOLTS - 39PCS</p>	<p><b>B</b></p>  <p>CAM-LOCKS-39PCS</p>	<p><b>C</b></p>  <p>DOWELS-60PCS</p>	
<p><b>D</b> <span style="float: right;">Ø8*30mm</span></p>  <p>SCREWS - 28PCS</p>	<p><b>E</b> <span style="float: right;">Ø6*12mm</span></p>  <p>SCREWS - 85PCS</p>	<p><b>F</b></p>  <p>KNOB - 5PCS</p>	
<p><b>G</b> <span style="float: right;">Ø8*15mm</span></p>  <p>BOLT - 5PCS</p>	<p><b>H</b> <span style="float: right;">Ø6*25mm</span></p>  <p>SCREW - 20PCS</p>	<p><b>I</b></p>  <p>FEMALE SLIDING LEFT-5PCS</p>	
<p><b>J</b></p>  <p>MALE SLIDING LEFT-5PCS</p>	<p><b>K</b></p>  <p>FEMALE SLIDING RIGHT-5PCS</p>	<p><b>L</b></p>  <p>MALE SLIDING RIGHT-5PCS</p>	
<p><b>M</b></p>  <p>SMALL CAM-BOLTS - 20PCS</p>	<p><b>N</b></p>  <p>SMALL CAM-LOCKS - 20PCS</p>	<p><b>O</b></p>  <p>SOCKET-1PC</p>	
<p><b>P</b></p>  <p>HANGER-1PC</p>	<p><b>Q</b></p>  <p>LED LIGHT - 10PCS</p>	<p><b>R</b></p>  <p>ANCHORS-4PCS</p>	
<p><b>T</b> <span style="float: right;">Ø8*38mm</span></p>  <p>SCREW-4PCS</p>	<p><b>U</b></p>  <p>HOOKS-4PCS</p>	<p><b>V</b></p>  <p>PLASTIC BELTS-2PCS</p>	<p><b>W</b></p>  <p>CAM TOOL-1PC</p>

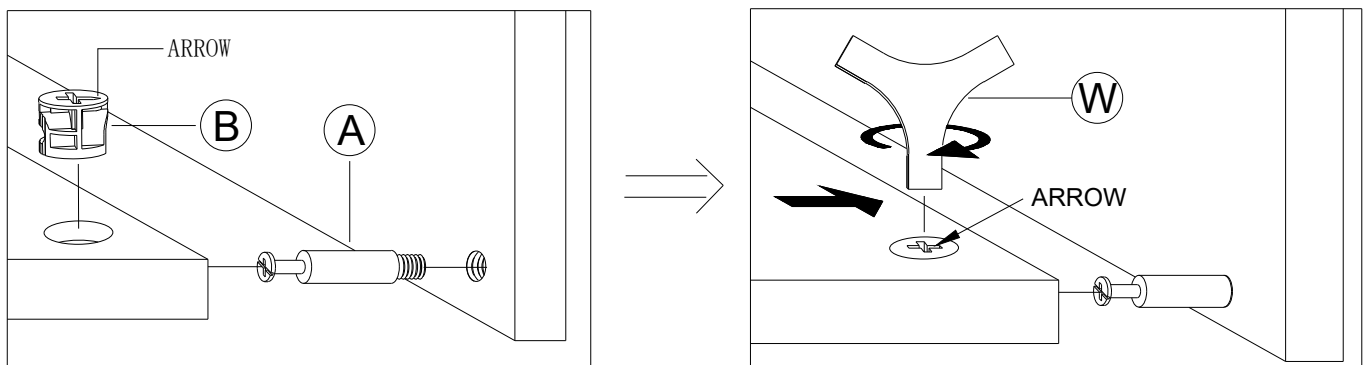
**NOTE: THE SURFACE WITH THE STICKER IS THE BACK SIDE.**

NOTE: ● UPON OPENING, THOROUGHLY CLEAN ALL WOOD SURFACES TO REMOVE DUST AND DIRT THAT MAY HAVE SETTLED ONTO FINISH DURING SHIPMENT. IN ORDER TO PREVENT DAMAGE DURING ASSEMBLY, PLEASE ASSEMBLE THIS ITEM WITH AT LEAST TWO PEOPLE.

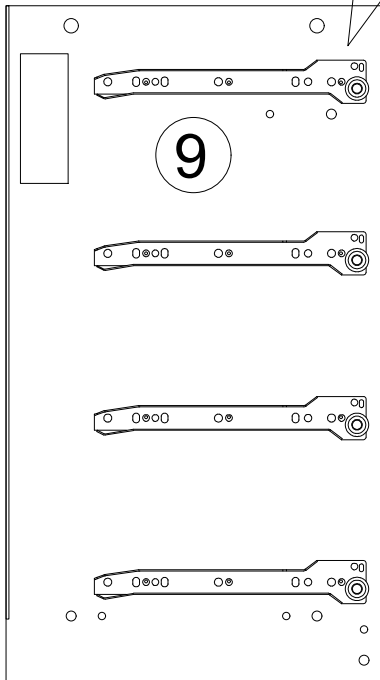
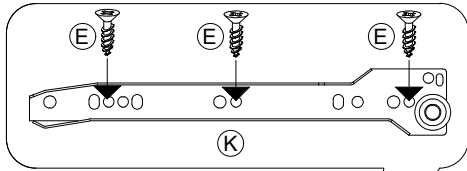


NOTE: TURN THE CAM-BOLT SCREWS UNTIL THEY ARE TIGHT, THE SHOULDER SHOULD BE AGAINST THE SURFACE OF THE PART.

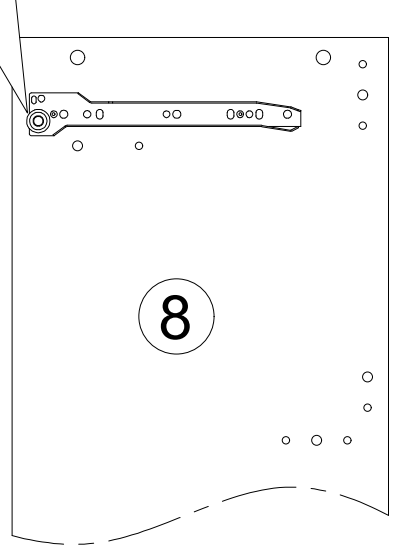
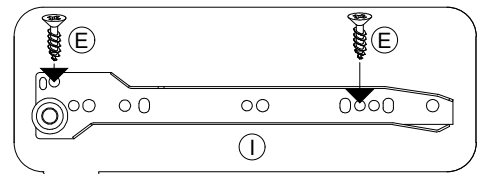
## HOW TO USE THE CAM-TOOL



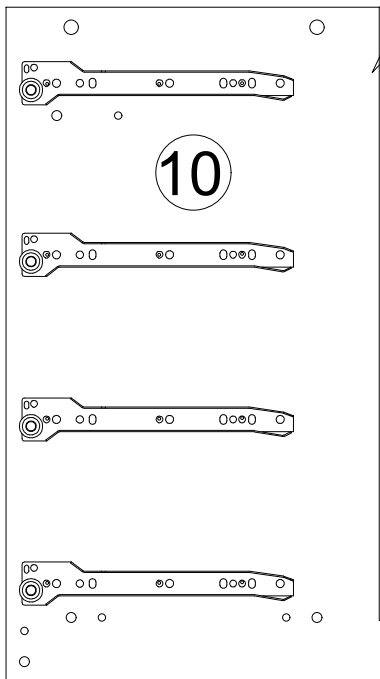
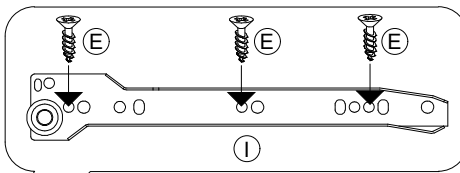
NOTE: ● THE ARROWS ON THE HIDDEN CAM-LOCKS SHOULD POINT TO THE CAM-BOLTS



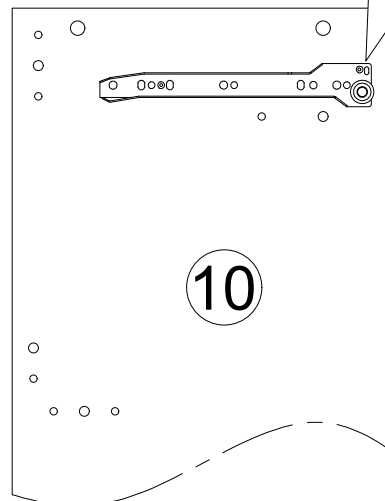
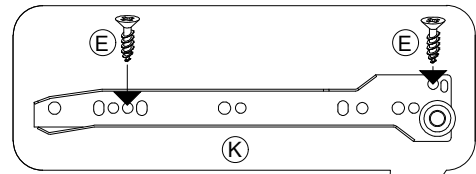
9



8



10



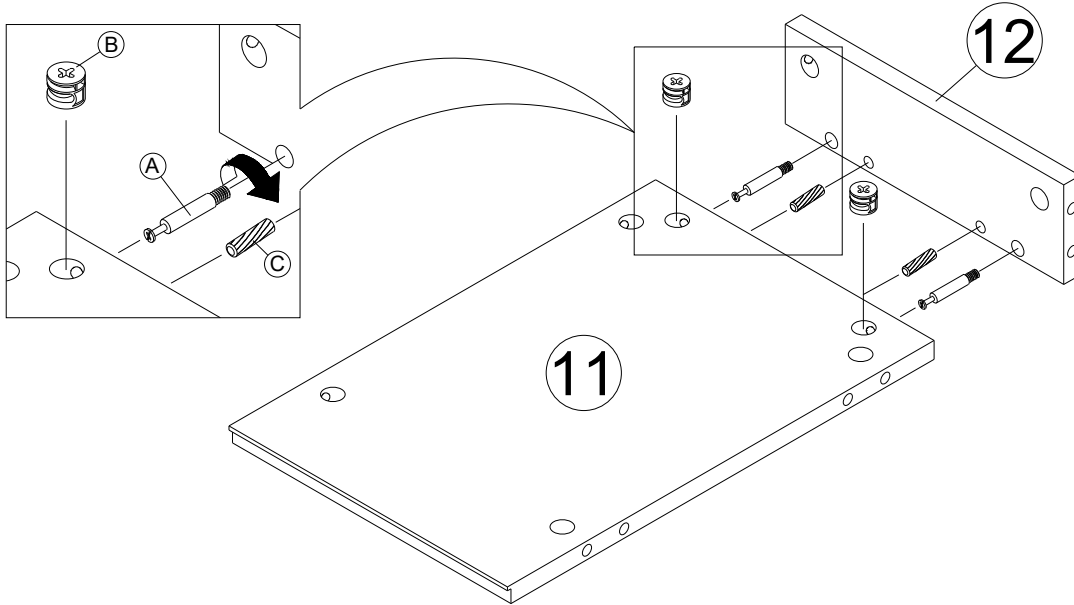
10

**RIGHT SIDE**

**LEFT SIDE**

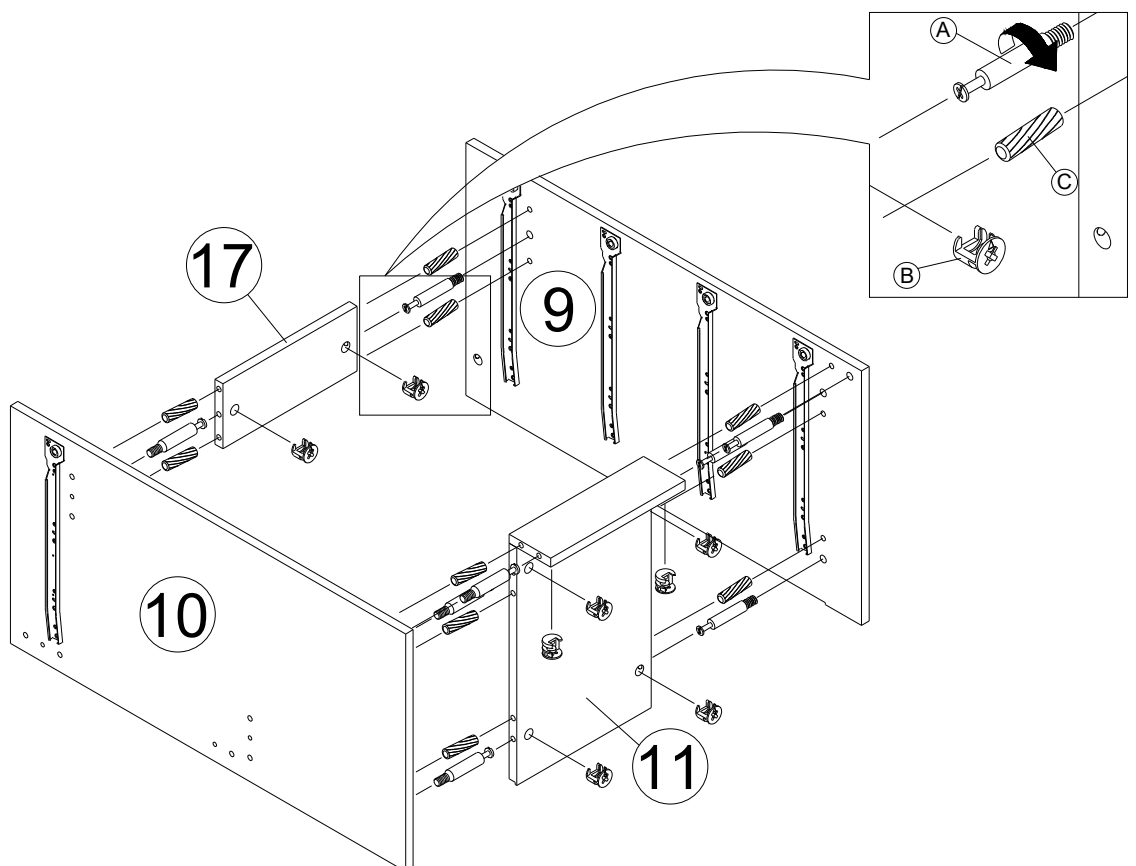
1).ASSEMBLE THE FEMALE SLIDING (I/K)

- PLACE THE FEMALE SLIDING (I/K) INTO THE HOLES IN THE PANEL (8/9/10) AND ATTACH USING 28 SCREW (E).



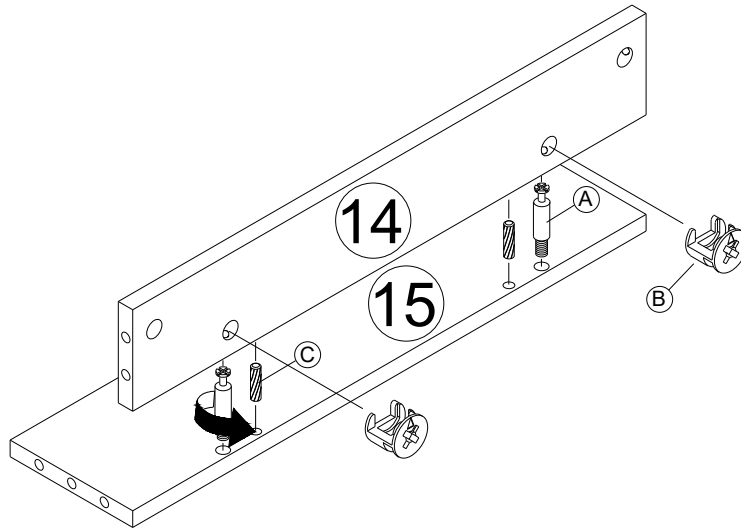
**2).ASSEMBLE THE BOTTOM PANEL (11) AND BOTTOM RAIL (12)**

- ROTATE 2 CAM-BOLTS(A) INTO THE HOLES IN THE BOTTOM RAIL(12).
- PLACE THE BOTTOM RAIL (12) AND 2 DOWELS (C) INTO THE HOLES IN THE BOTTOM PANEL (11) AND ATTACH USING 2 CAM LOCK (B).



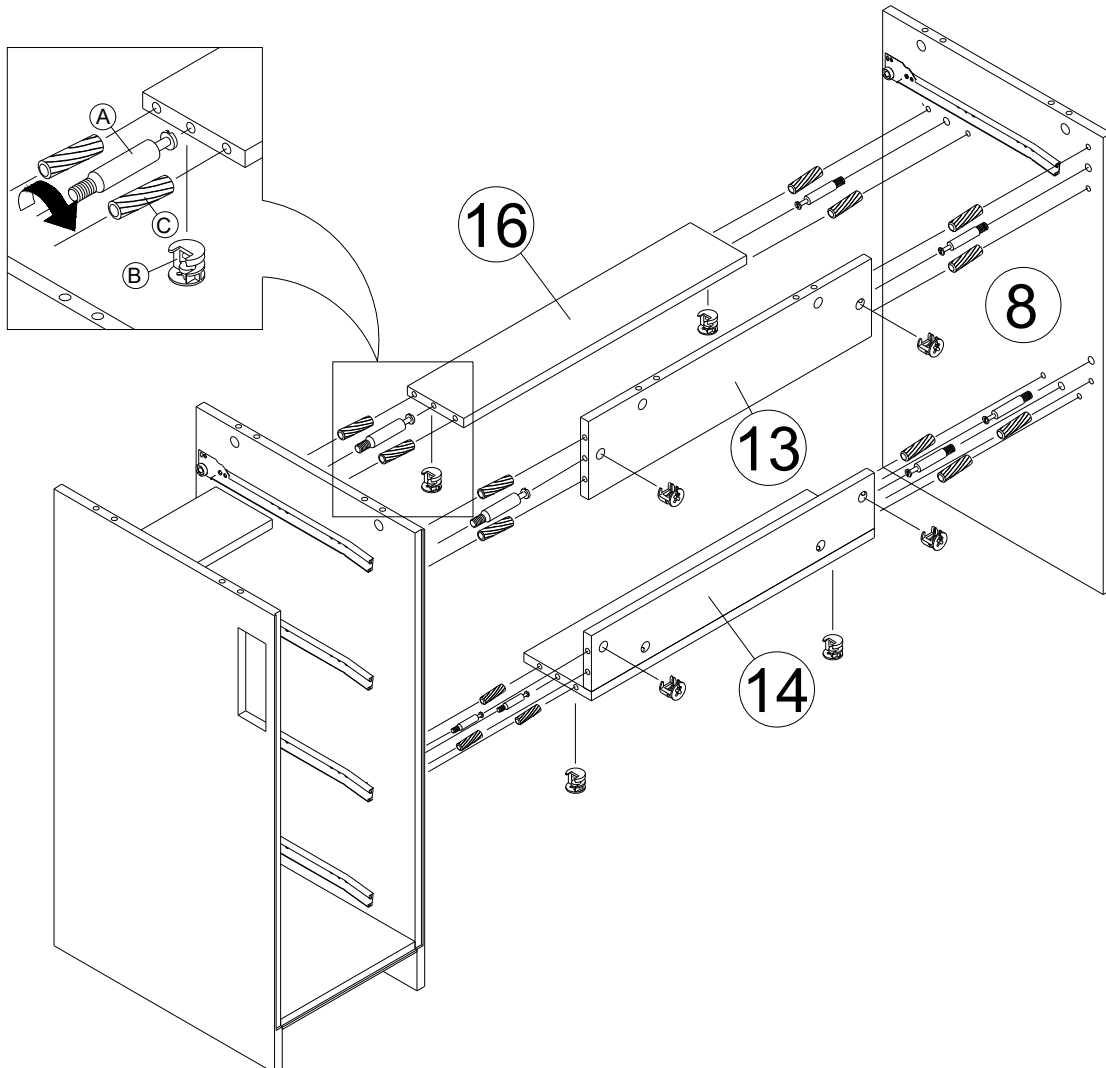
**3).ASSEMBLE THE PANEL (9/10)**

- ROTATE 8 CAM-BOLTS(A) INTO THE HOLES IN THE PANEL (9/10).
- PLACE THE FRONT RAIL (17), BOTTOM PANEL (11) AND 10 DOWELS (C) INTO THE HOLES IN THE PANEL (10/12) AND ATTACH USING 8 CAM LOCK (B).



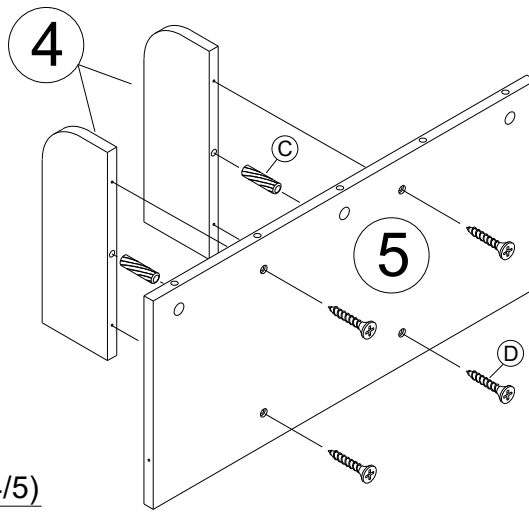
**4).ASSEMBLE THE RAIL (14/15)**

- ROTATE 2 CAM-BOLTS (A) INTO THE HOLES IN THE RAIL(15).
- PLACE THE RAIL (14) AND 2 DOWELS (C) INTO THE HOLES IN THE RAIL (15) AND ATTACH USING 2 CAM LOCK (B).



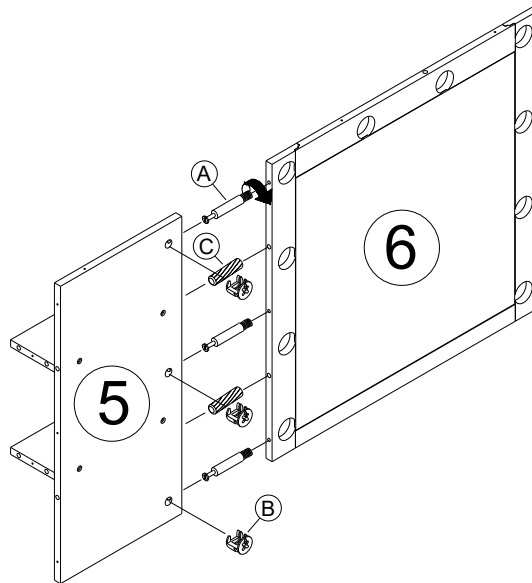
**5).ASSEMBLE THE PANEL (8).**

- ROTATE 8 CAM-BOLTS (A) INTO THE HOLES IN THE PANEL (8/10).
- PLACE THE RAIL (13/14/16) AND 14 DOWELS (C) INTO THE HOLES IN THE PANEL (8/10) AND ATTACH USING 8 CAM LOCK (B).



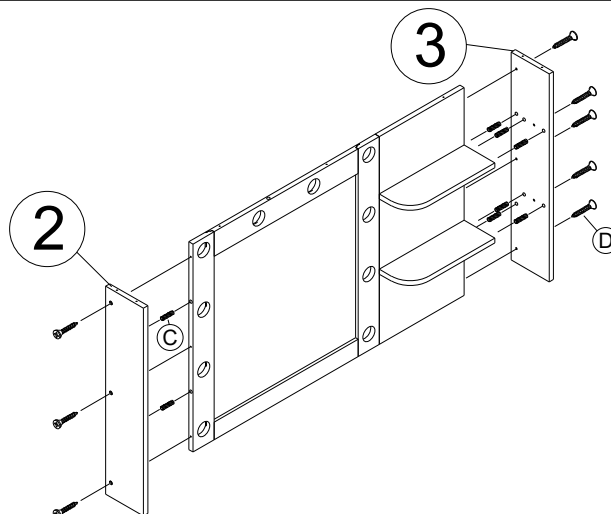
**6).ASSEMBLE THE PANEL (4/5)**

- PLACE THE PANEL (4) AND 2 DOWELS (C) INTO THE HOLES IN THE PANEL (5) AND ATTACH USING 4 SCREW (D).



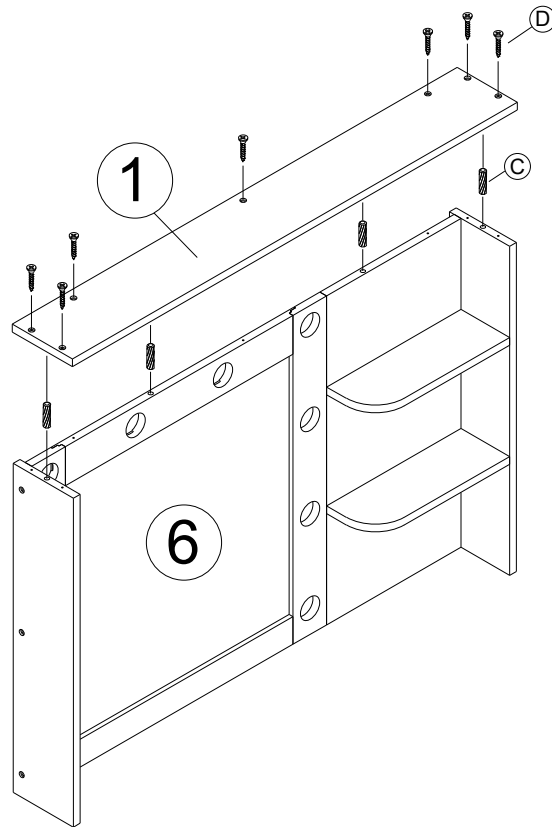
**7).ASSEMBLE THE PANEL (5) AND FRAME (6).**

- ROTATE 3 CAM-BOLTS (A) INTO THE HOLES IN THE FRAME (6).
- PLACE THE PANEL (5) AND 2 DOWELS (C) INTO THE HOLES IN THE FRAME (6) AND ATTACH USING 3 CAM-LOCKS (B).



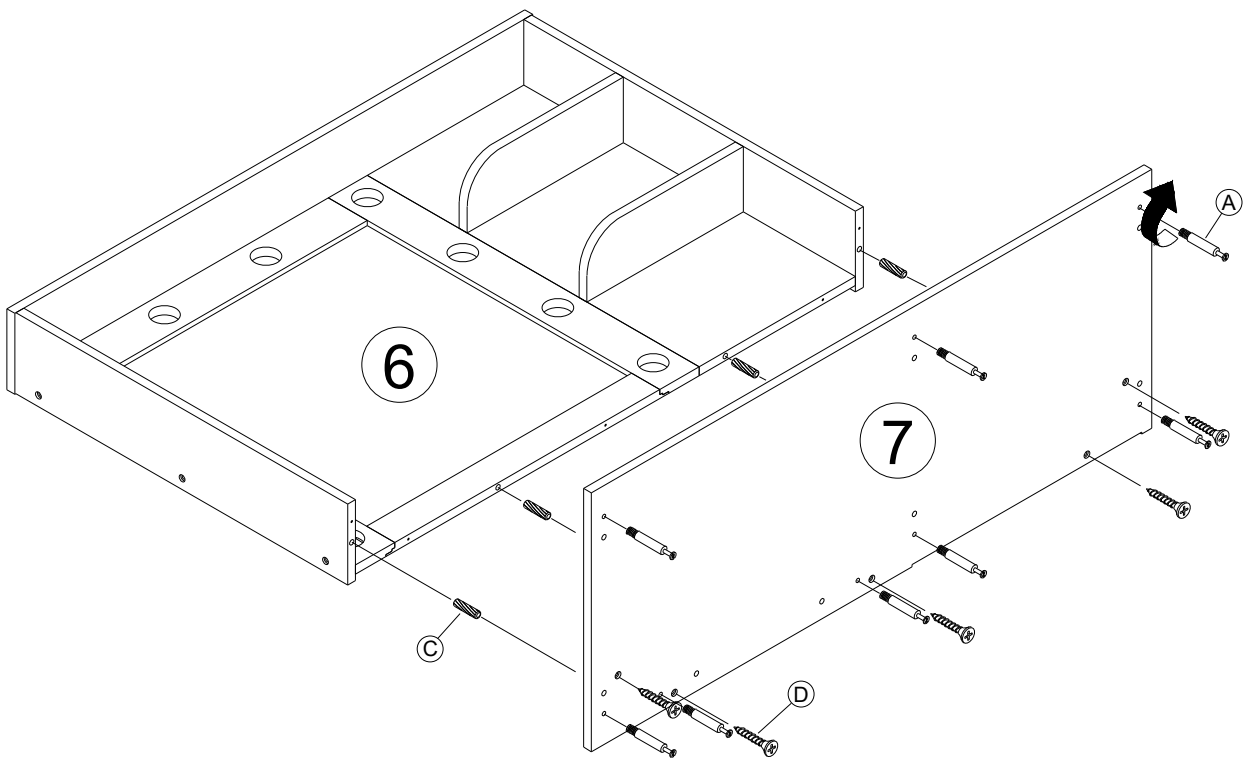
**8).ASSEMBLE THE RAIL (2/3)**

- PLACE THE RAIL (2/3) AND 8 DOWELS (C) INTO THE HOLES IN THE FRAME (6) AND ATTACH USING 8 SCREWS (D).



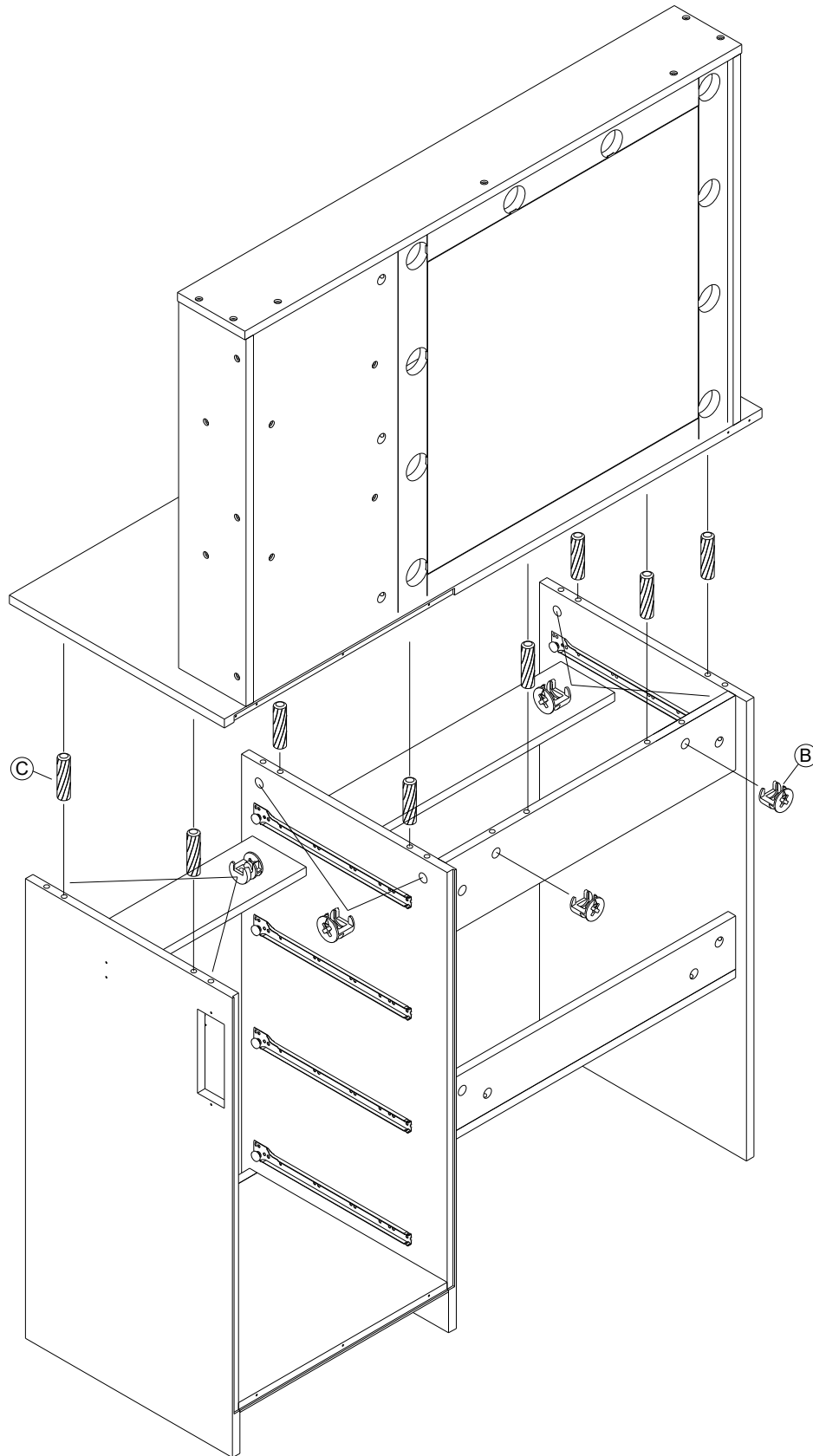
**9).ASSEMBLE THE RAIL (1).**

- PLACE THE RAIL (1) AND 4 DOWELS (C) INTO THE HOLES IN THE FRAME (6) AND ATTACH USING 7 SCREW (D).



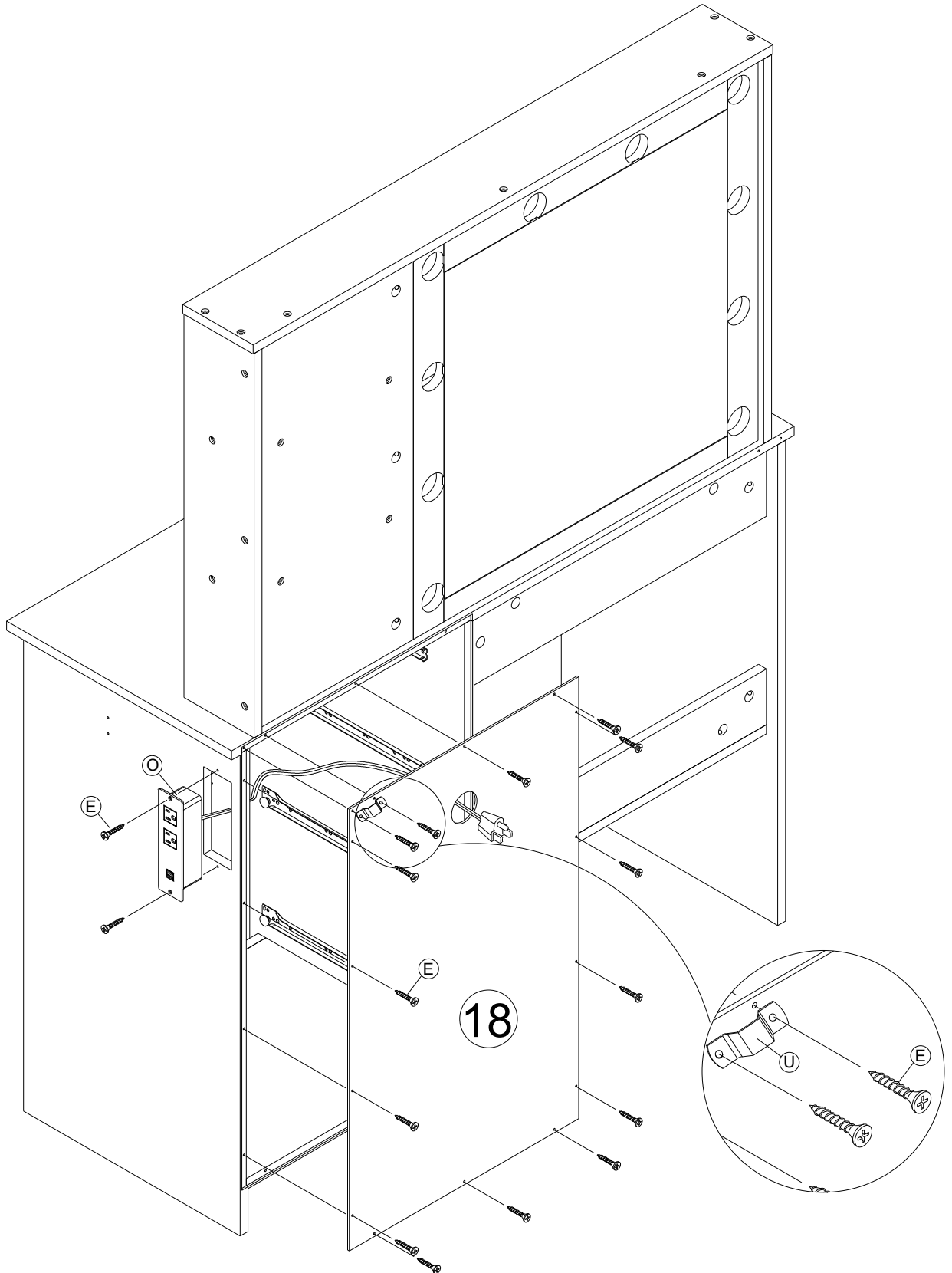
**10).ASSEMBLE THE TOP PANEL (7).**

- PLACE THE TOP PANEL (7) AND 4 DOWELS (C) INTO THE HOLES IN THE FRAME (6) AND ATTACH USING 5 SCREW (D).
- ROTATE 6 CAM-BOLTS (A) INTO THE HOLES IN THE PANEL (7).



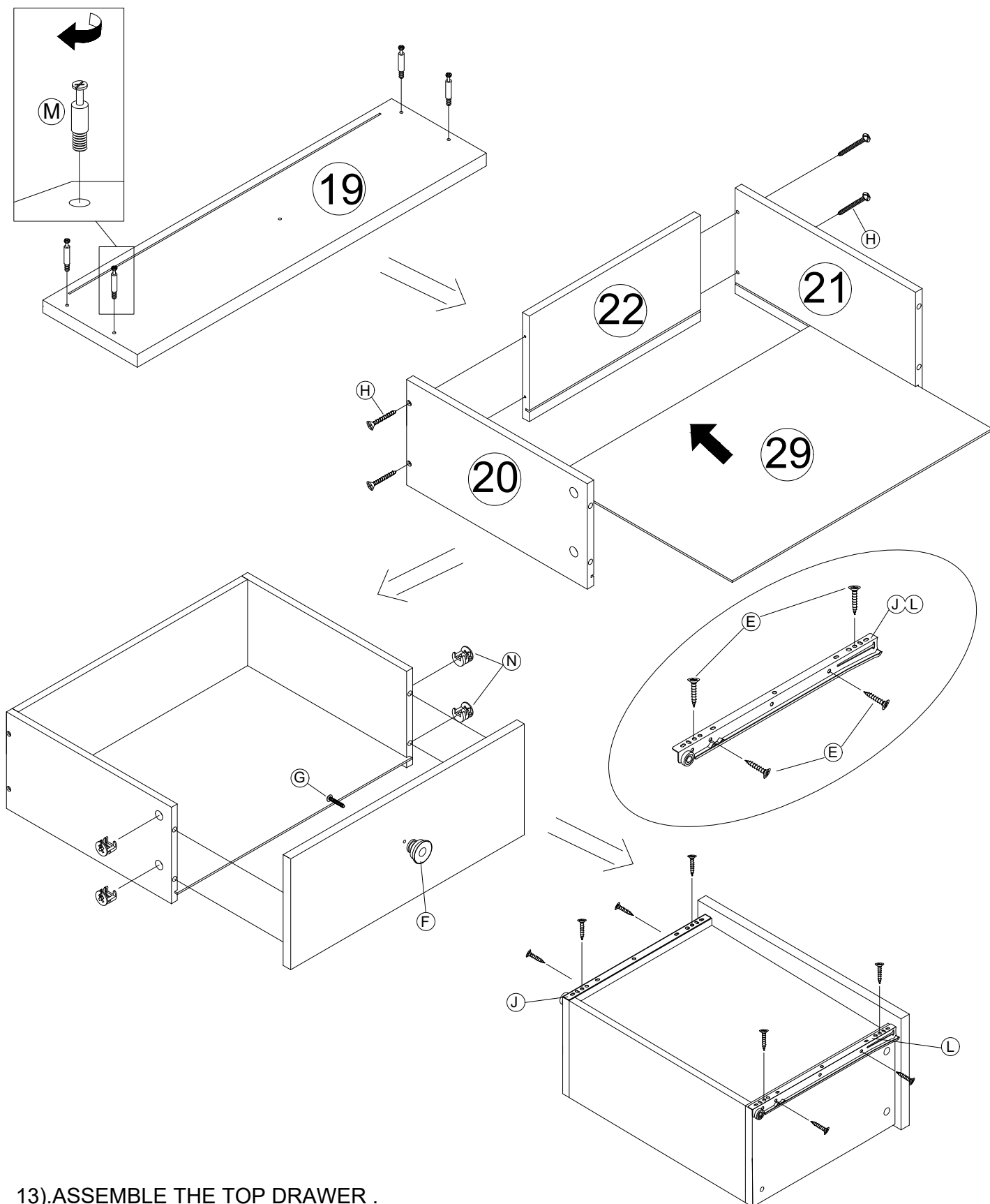
11).ASSEMBLE THE TOP AND BASE.

- PLACE THE TOP AND 8 DOWELS (C) INTO THE HOLES IN THE BASE AND ATTACH USING 8 CAM-LOCKS (B).



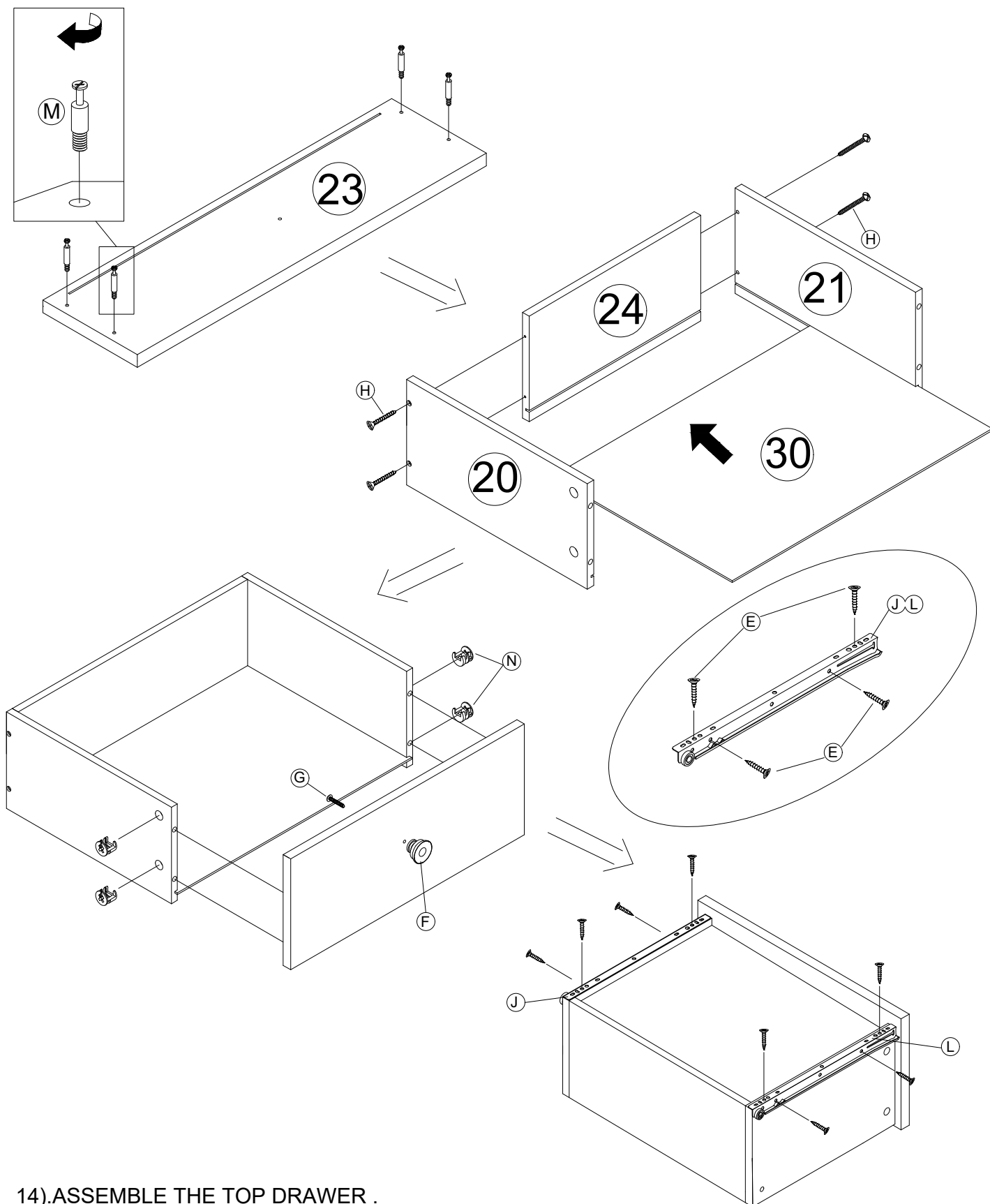
**12).ASSEMBLE THE BACK PANEL (18) AND SOCKET (O).**

- PLACE THE BACK PANEL AND SOCKET (O) INTO THE HOLES IN THE BASE AND ATTACH USING 17 SCREWS (E).



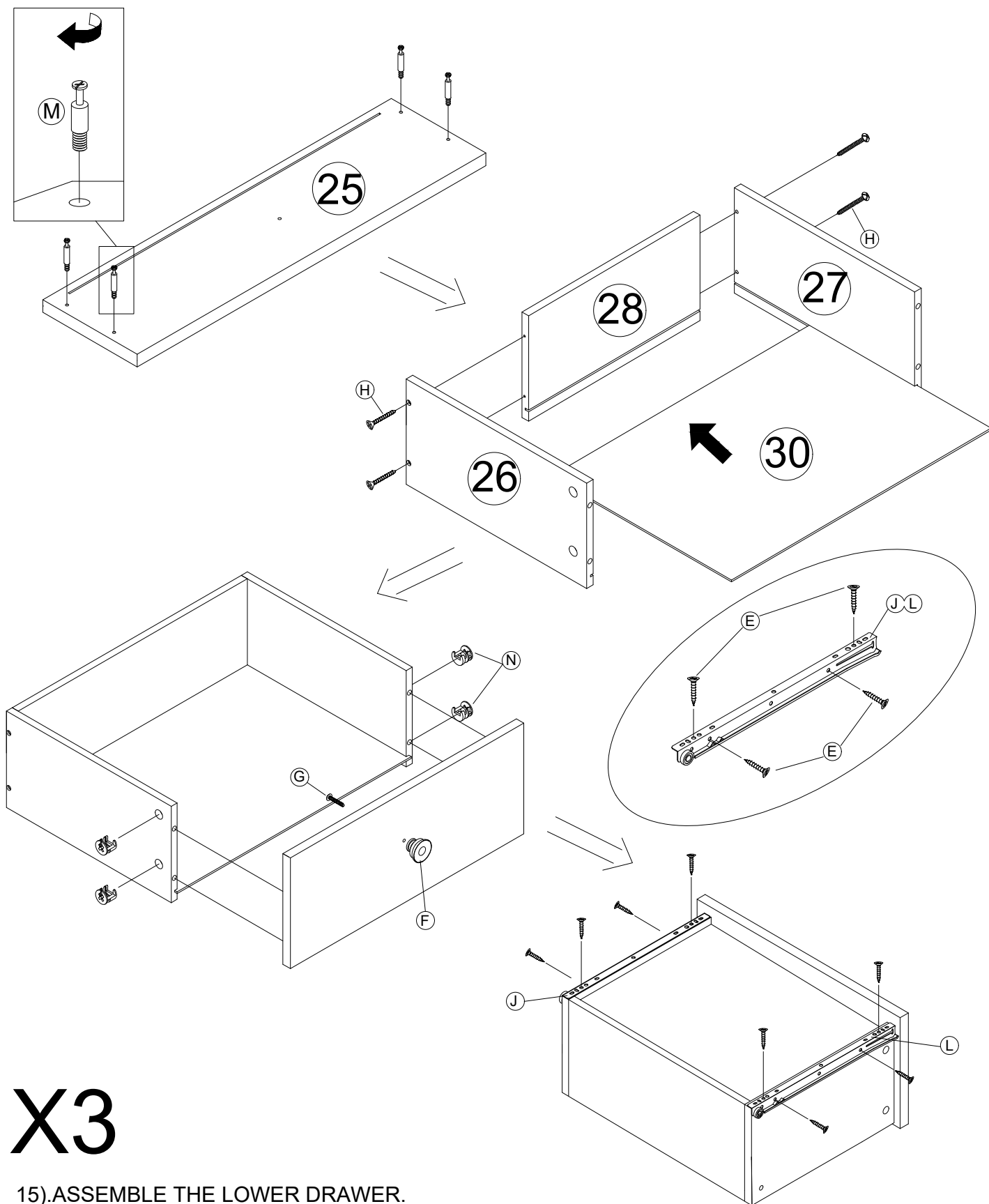
### 13).ASSEMBLE THE TOP DRAWER .

- ROTATE 4 SMALL CAM-BOLTS (M) INTO THE HOLES IN THE TOP DRAWER FRONT PANEL(19).
- ATTACH THE DRAWER BACK (22) AND DRAWER LEFT/RIGHT (20/21) USING 4 SCREWS (H).
- PLACE THE TOP DRAWER FRONT PANEL (19) INTO THE HOLES IN THE DRAWER LEFT/RIGHT (20/21) AND ATTACH USING 4 SMALL CAM-LOCKS (N).
- PLACE THE SLIDING (J),(L) INTO THE HOLES IN THE DRAWER SIDE PANEL(20),(21) AND USING 8 SCREWS (E).



#### 14).ASSEMBLE THE TOP DRAWER .

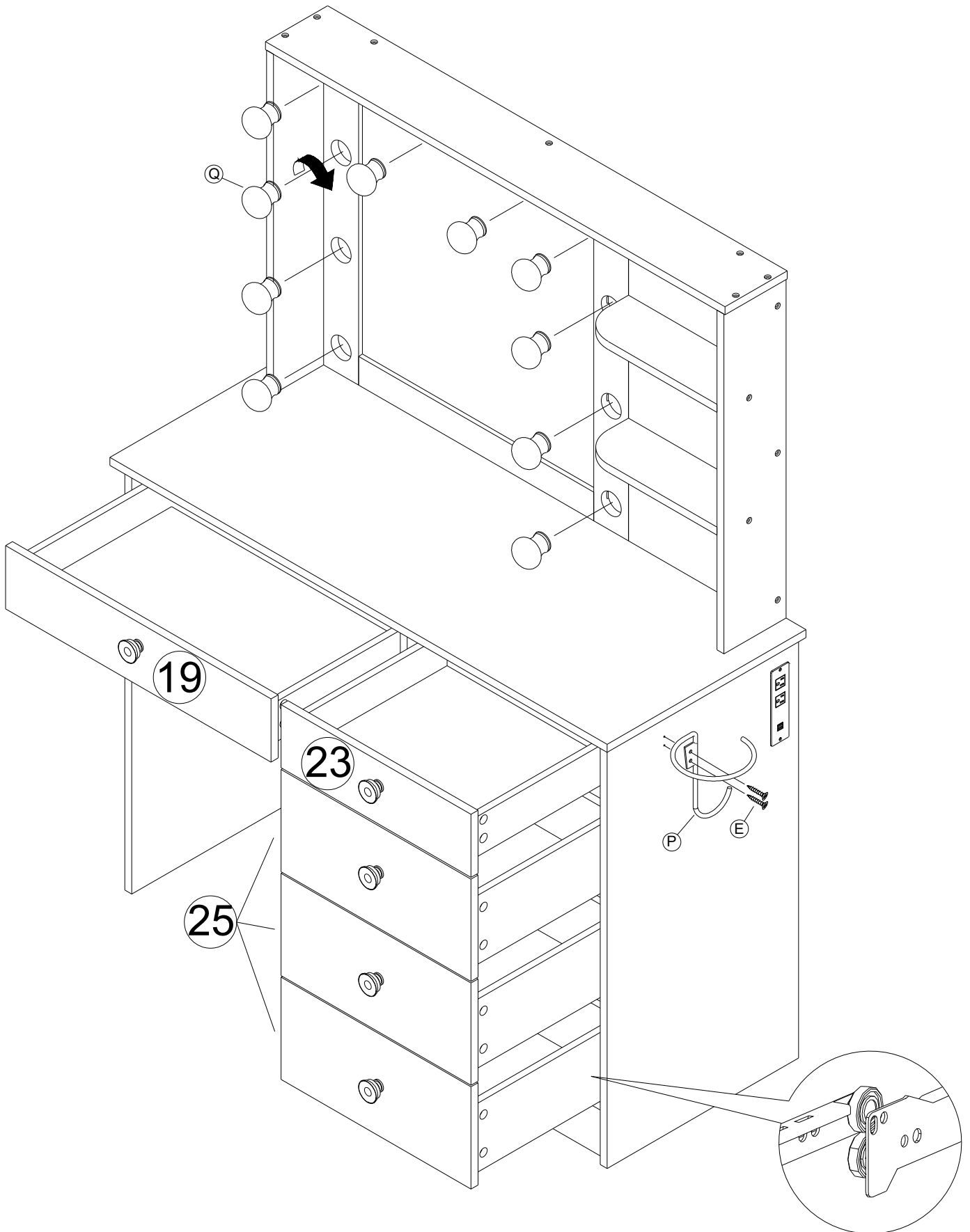
- ROTATE 4 SMALL CAM-BOLTS (M) INTO THE HOLES IN THE TOP DRAWER FRONT PANEL(23).
- ATTACH THE DRAWER BACK (24) AND DRAWER LEFT/RIGHT (20/21) USING 4 SCREWS (H).
- PLACE THE TOP DRAWER FRONT PANEL (23) INTO THE HOLES IN THE DRAWER LEFT/RIGHT (20/21) AND ATTACH USING 4 SMALL CAM-LOCKS (N).
- PLACE THE SLIDING (J),(L) INTO THE HOLES IN THE DRAWER SIDE PANEL(20),(21) AND USING 8 SCREWS (E).



# X3

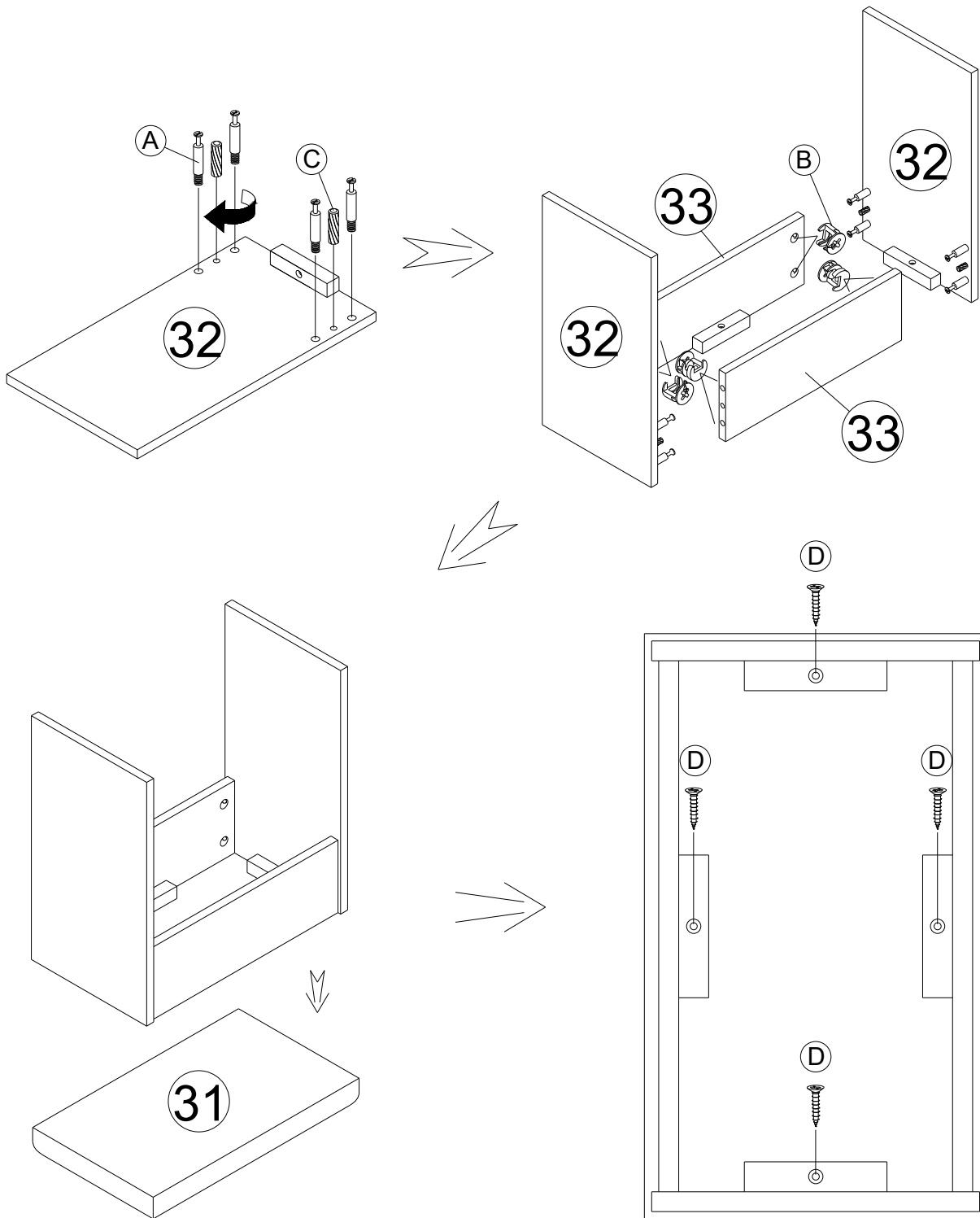
## 15).ASSEMBLE THE LOWER DRAWER.

- ROTATE 12 SMALL CAM-BOLTS (M) INTO THE HOLES IN THE LOWER DRAWER FRONT PANEL(25).
- ATTACH THE DRAWER BACK (28) AND DRAWER LEFT/RIGHT (26/27) USING 12 SCREWS (H).
- PLACE THE LOWER DRAWER FRONT PANEL (25) INTO THE HOLES IN THE DRAWER LEFT/RIGHT (26/27) AND ATTACH USING 2 SMALL CAM-LOCKS (N).
- PLACE THE SLIDING (J),(L) INTO THE HOLES IN THE DRAWER SIDE PANEL(26/27) AND USING 24 SCREWS (E).



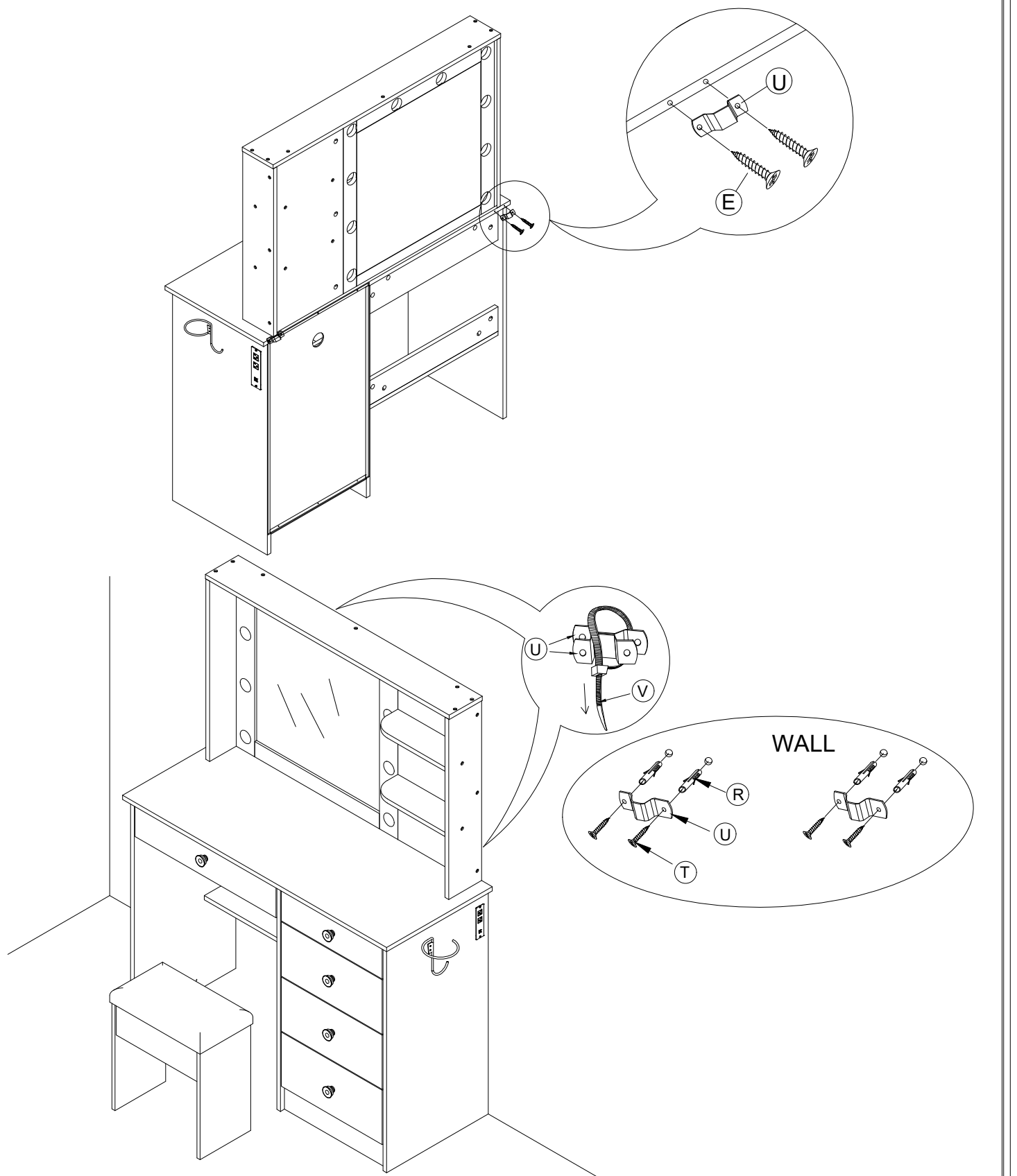
**16).ATTACH THE DRAWERS, LED LIGHTS (Q) AND HANGER (P).**

- SLIDE THE DRAWERS INTO THE SLIDERS-OUTS.
- ROTATE LED LIGHTS (Q) INTO THE HOLES IN THE MIRROR FRAME (7).
- PLACE THE HANGER (P) INTO THE HOLES IN THE MAIN BODY AND ATTACH USING 2 CREWS (E).



### 17).ASSEMBLE THE STOOL.

- INSERT 4 DOWELS (C) INTO THE HOLES IN THE SIDE CHAIRS (32).
- ROTATE 8 CAM-BOLTS (A) INTO THE HOLES IN THE SIDE CHAIRS (32).
- PLACE THE CAMBOLTS (A) AND DOWELS (C) INTO THE HOLES IN THE FRONT/BACK CHAIRS (33) AND ATTACH USING 8 CAM-LOCKS (B)
- PLACE THE CHAIR BODY IN THE SEAT FRAME (31) AND ATTACH USING 4 SCREWS (D).



### 18).ASSEMBLE THE ANTI-TIP HARDWARE.

- ATTACH HOOKS (U) USING 2 SCREWS (E) IN THE PREDRILLED HOLES OF REAR TOP PANEL (7).
- DRILL 4 HOLES INTO THE WALL, PLEASE REFER TO THE REAR TOP FRAME HOLE DISTANCE AND HEIGHT.
- PUT 4 ANCHORS (R) INTO THE HOLES IN THE WALL, AND ROTATE 4 SCREWS (T) INTO THE GECKOS (R).
- CONNECT THE TWO HOOKS (U) WITH A PLASTIC BELT (V).