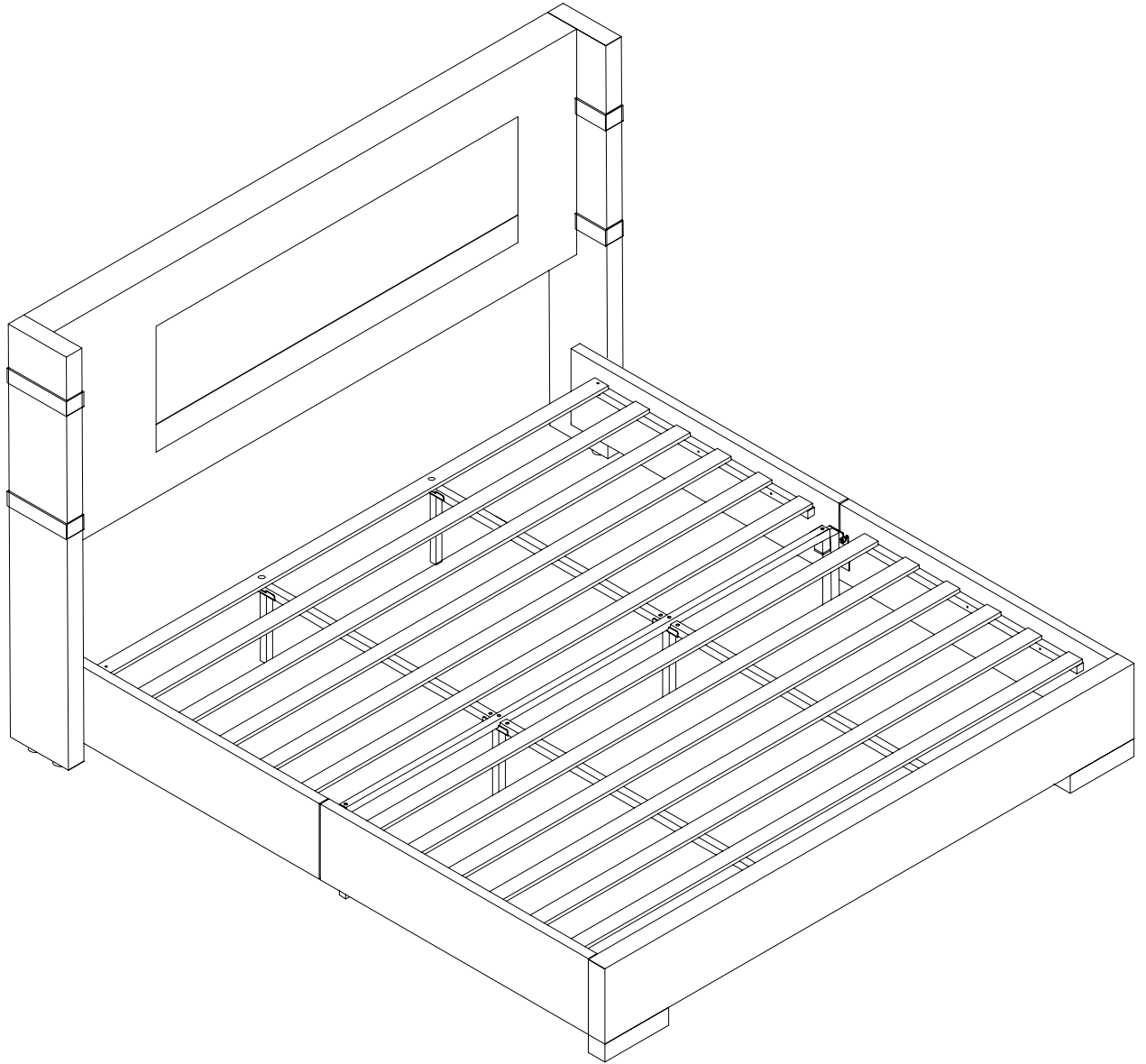


# Assembly Instruction

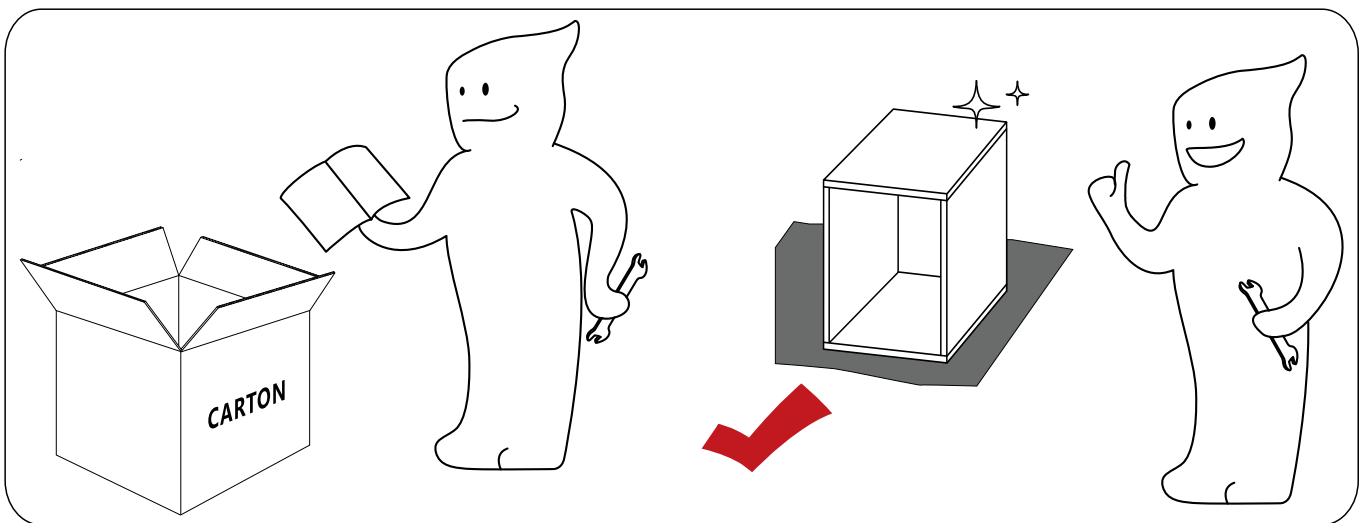
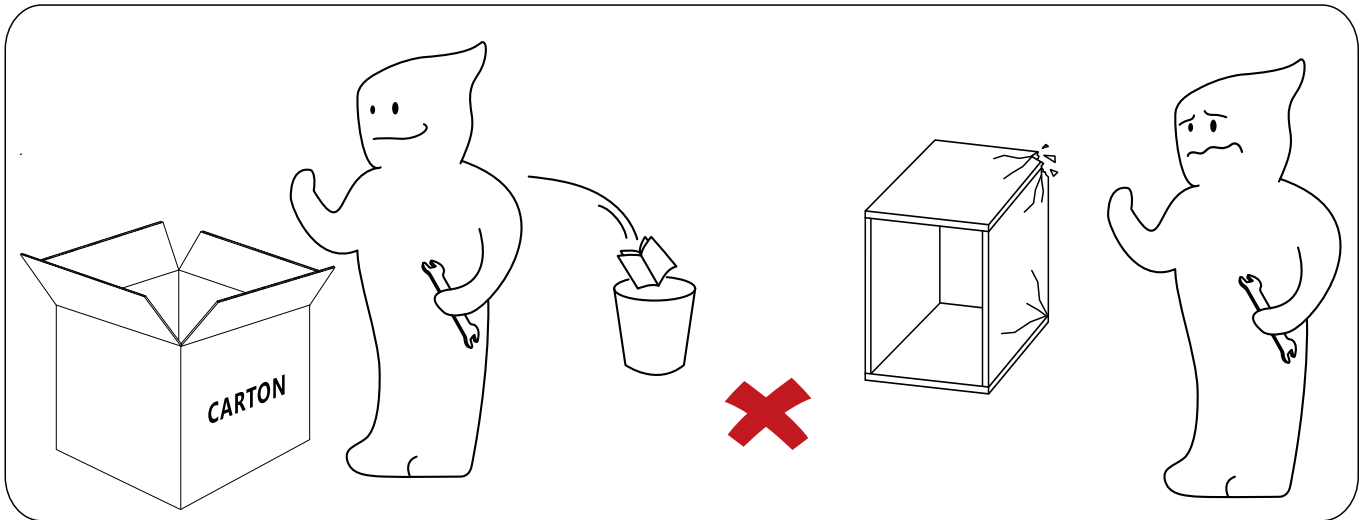


Please check that you have all the parts listed before you start assembling,if you do find that something is missing,do not continue assembly,please contact us immediately.

NOTE:Please do not completely tighten all the hardware until the entire assembly is complete!

# ! IMPORTANT

Please follow the instruction manuals and use a pad to protect the product during your assembly.

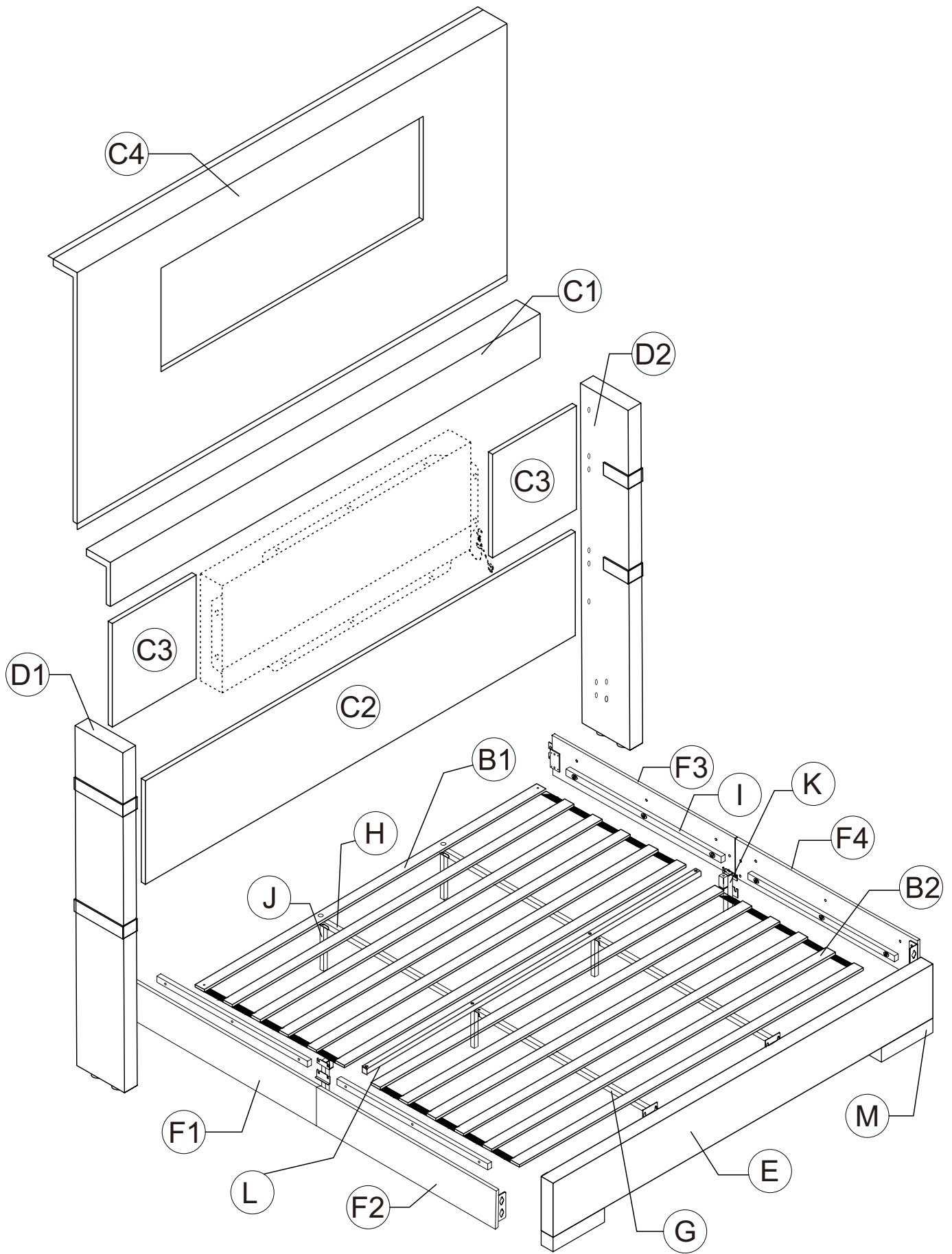


**Note:**

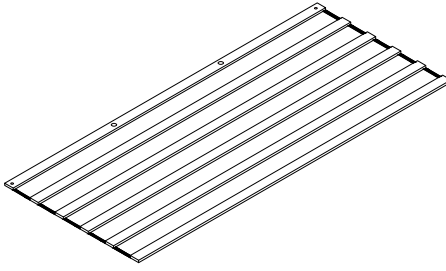
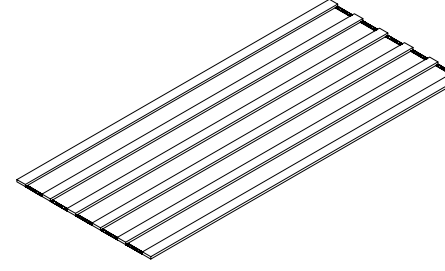
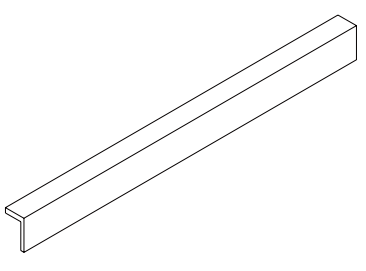
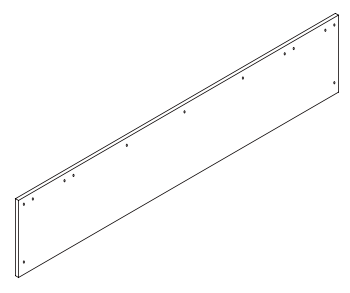
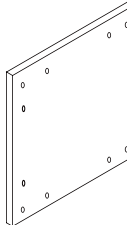
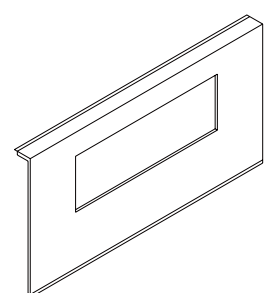
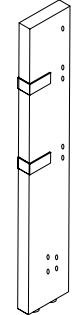
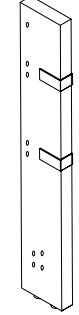
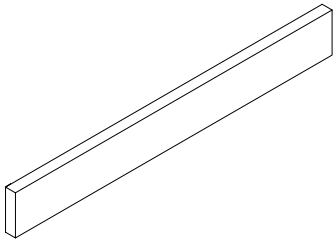
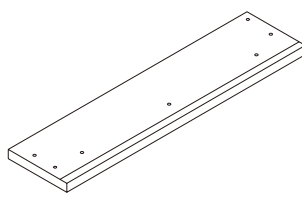
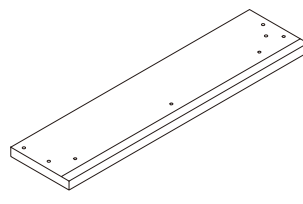
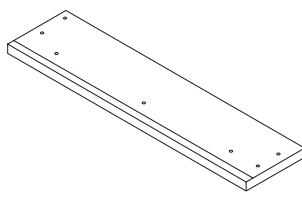
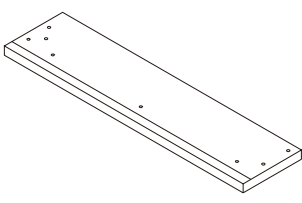
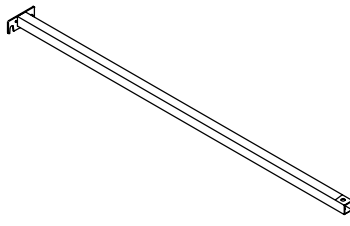
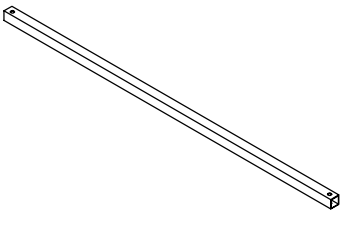
1. Should be assembled on flat ground to keep balance.
2. Before completing the installation, do not tighten the screws.



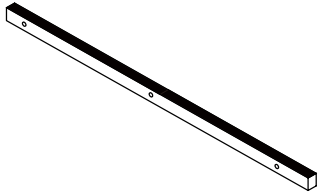
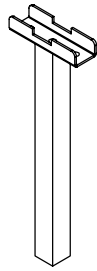
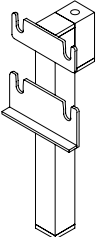
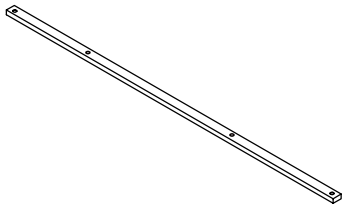
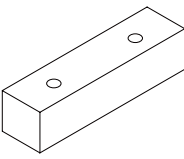
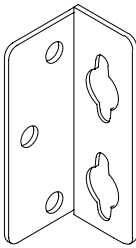
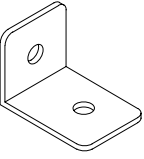
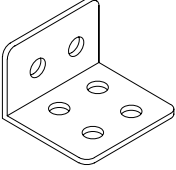
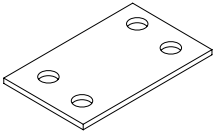
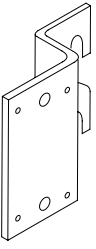
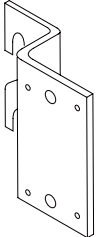
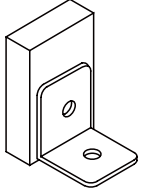
For easier and better assembly, **2** or more adults are required.



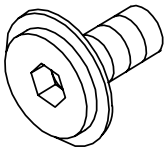
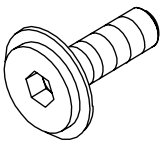
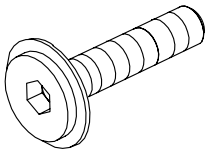
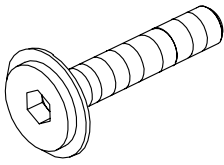
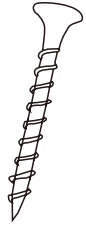
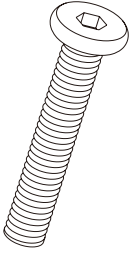
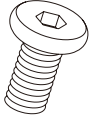

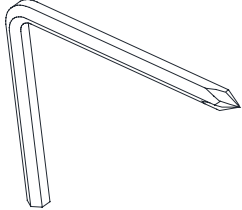

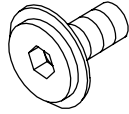

# BED FRAME PARTS LIST

<p><b>B1</b> 1PC</p>  <p style="text-align: center;"><b>Slat</b></p>	<p><b>B2</b> 1PC</p>  <p style="text-align: center;"><b>Slat</b></p>	<p><b>C1</b> 1PC</p> 
<p><b>C2</b> 1PC</p> 	<p><b>C3</b> 2PCS</p> 	<p><b>C4</b> 1PC</p> 
<p><b>D1</b> 1PC</p>  <p style="text-align: center;"><b>Left Leg</b></p>	<p><b>D2</b> 1PC</p>  <p style="text-align: center;"><b>Right Leg</b></p>	<p><b>E</b> 1PC</p>  <p style="text-align: center;"><b>Footboard</b></p>
<p><b>F1</b> 1PC</p>  <p style="text-align: center;"><b>side rail</b></p>	<p><b>F2</b> 2PCS</p>  <p style="text-align: center;"><b>side rail</b></p>	<p><b>F3</b> 1PC</p>  <p style="text-align: center;"><b>side bar</b></p>
<p><b>F4</b> 1PC</p>  <p style="text-align: center;"><b>side bar</b></p>	<p><b>G</b> 2PCS</p>  <p style="text-align: center;"><b>Middle behind support bar</b></p>	<p><b>H</b> 2PCS</p>  <p style="text-align: center;"><b>Middle front support bar</b></p>

# FITTING PART LIST

I	4PCS	J	4PCS	K	2PCS	L	1PC
							
Side bar		Middle support leg		Bed side support leg		Cross bar	
M	2PCS	N	2PCS	O	4PCS	P	4PCS
							
Foot		Connector-N		Connector-O		Connector-P	
Q	4PCS	R	1PC	S	1PC	T	2PCS
							
Connector-Q		Connector-R		Connector-S		Connector-T	

# FITTING PART LIST

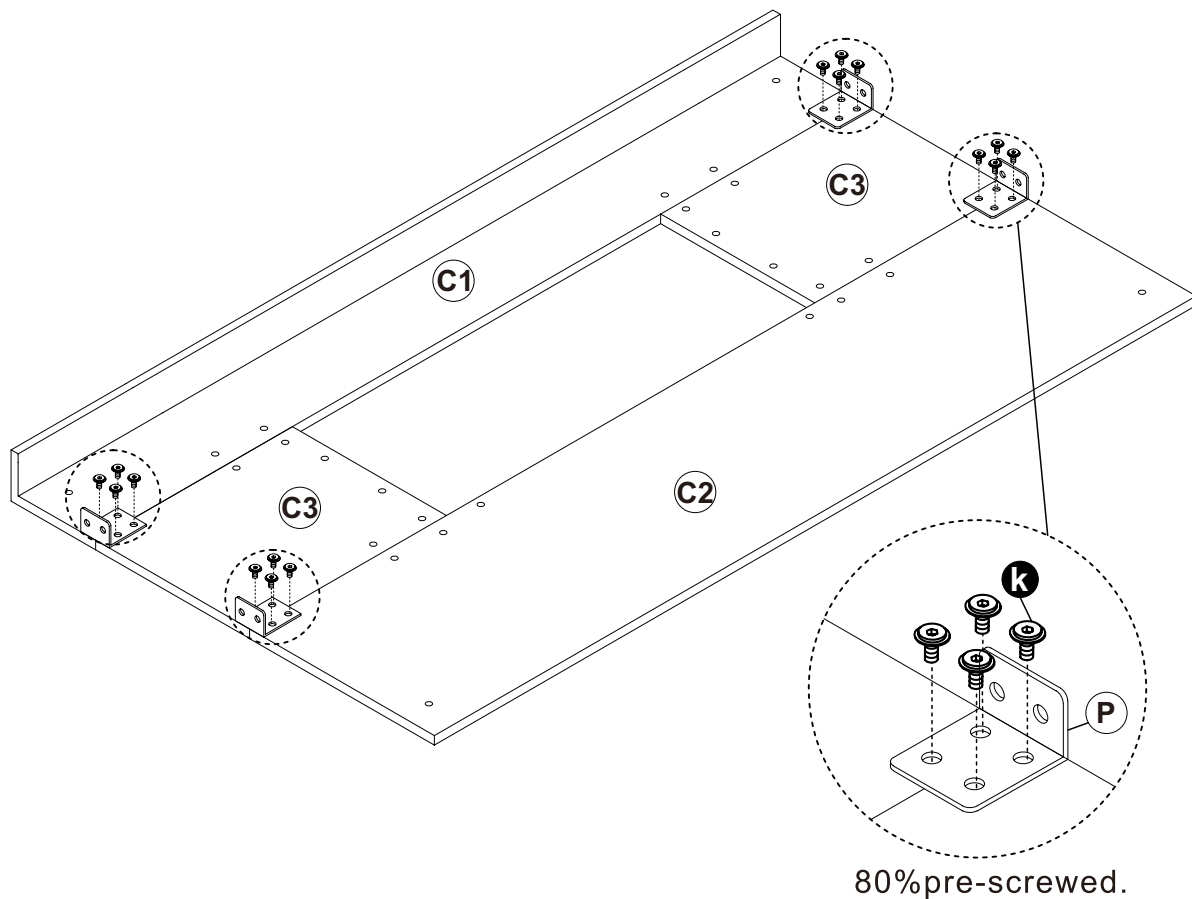
a	18PCS	b	8PCS	c	24PCS	d	2PCS
 M8*18		 M8*25		 M8*35		 M8*55	
e	8PCS	f	4PCS	g	4PCS	h	2PCS
 M4*45		 M6*80		 M6*20		 M4*35	
i	1PC	j	8PCS	k	50PCS	m	6PCS
				 M6*20		 M4*20	

# step1

k



16PCS

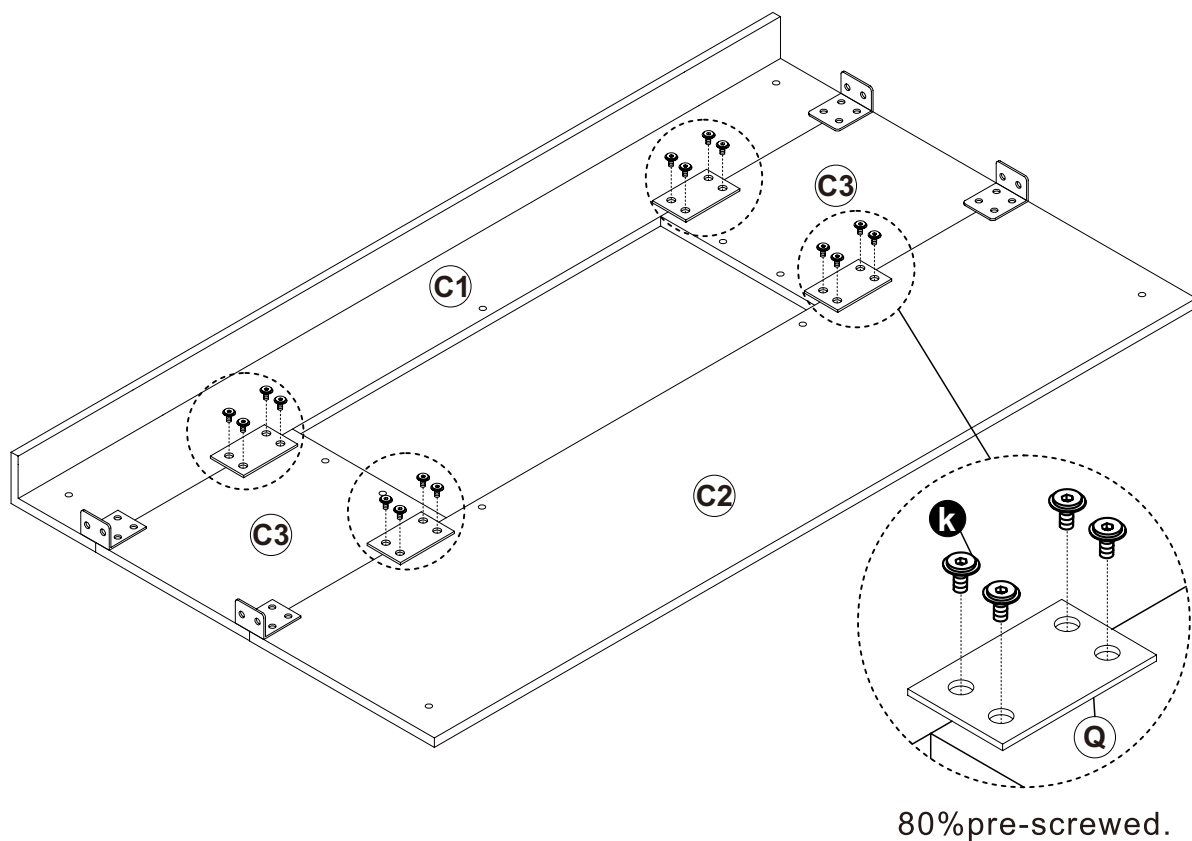


# step2

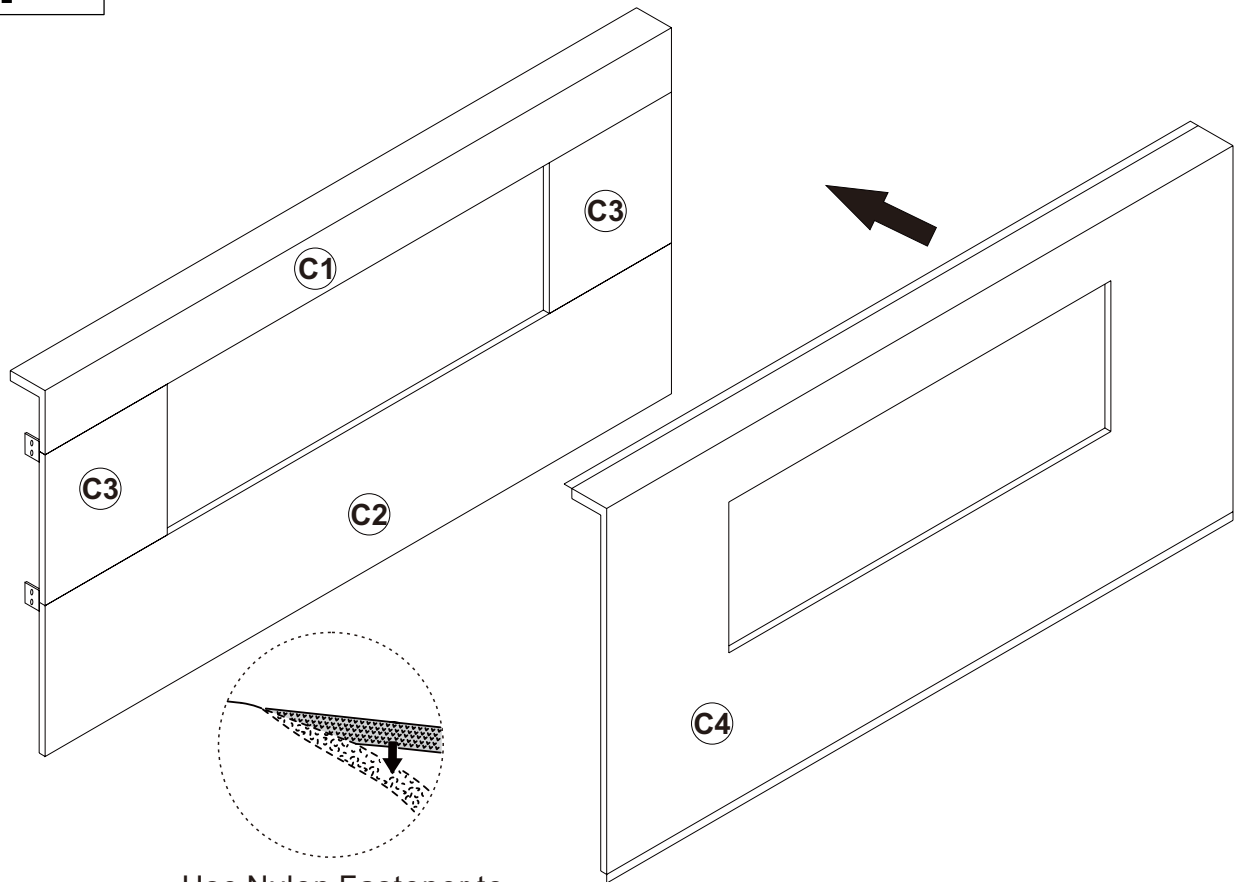
k



16PCS



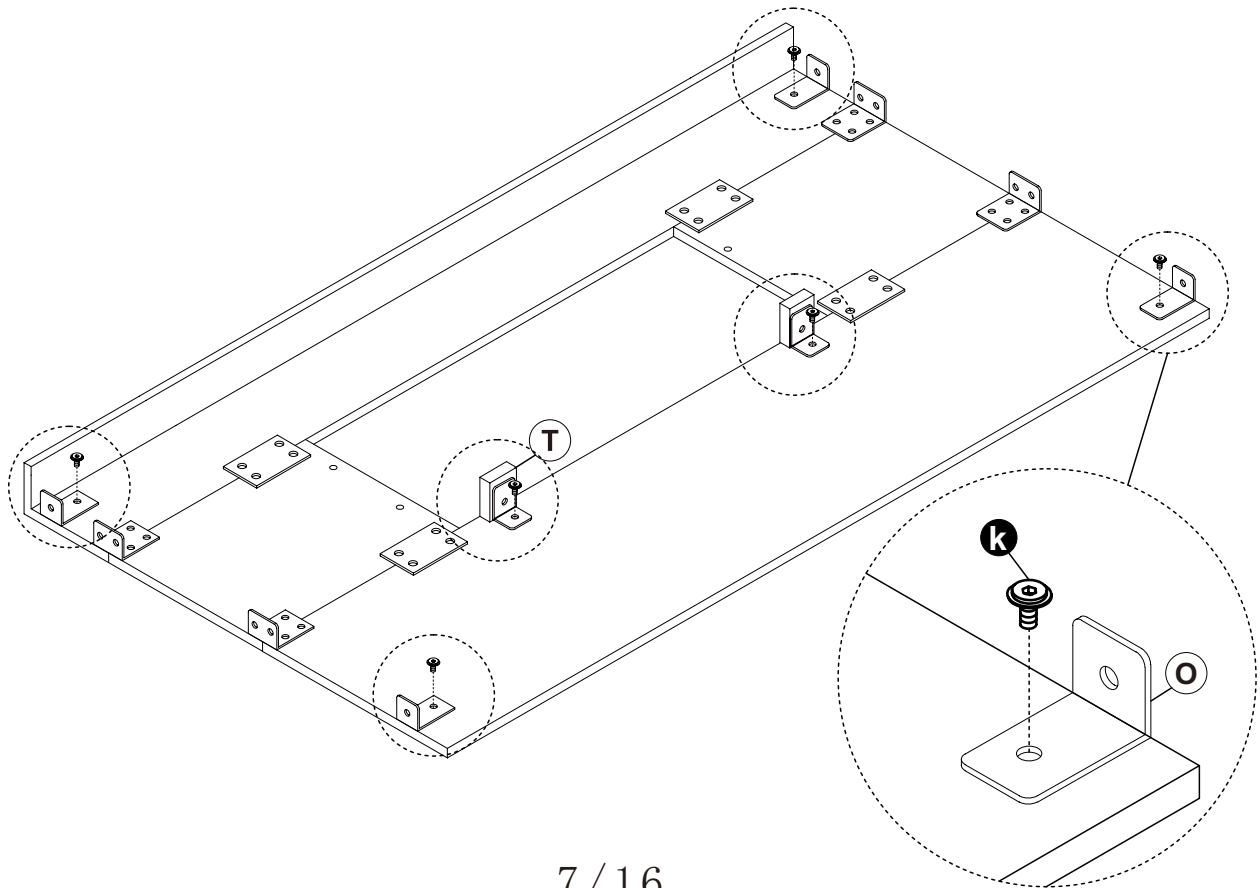
# step3



Use Nylon Fastener to secure it in place.

# step4

k	 M6*20	6PCS
---	--	------



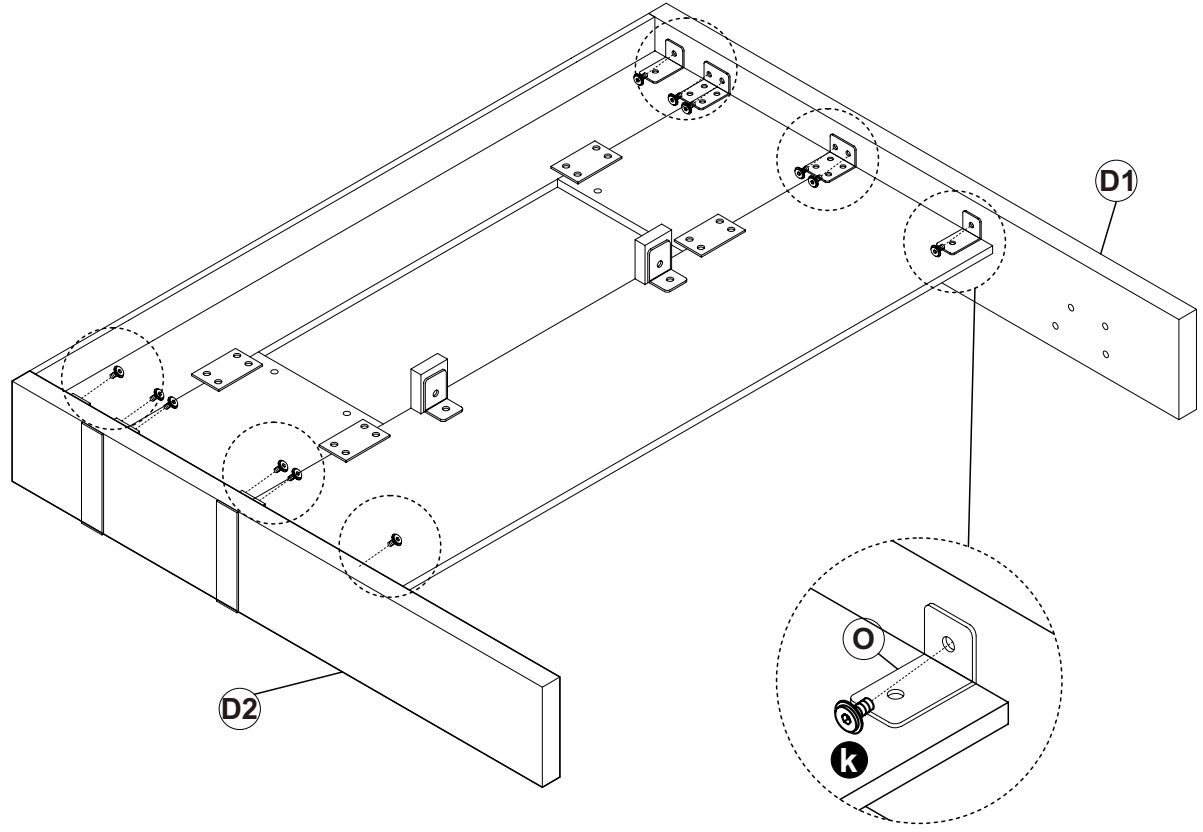
# step5

k



12PCS

Tighten the bolts (including those that weren't tightened before).



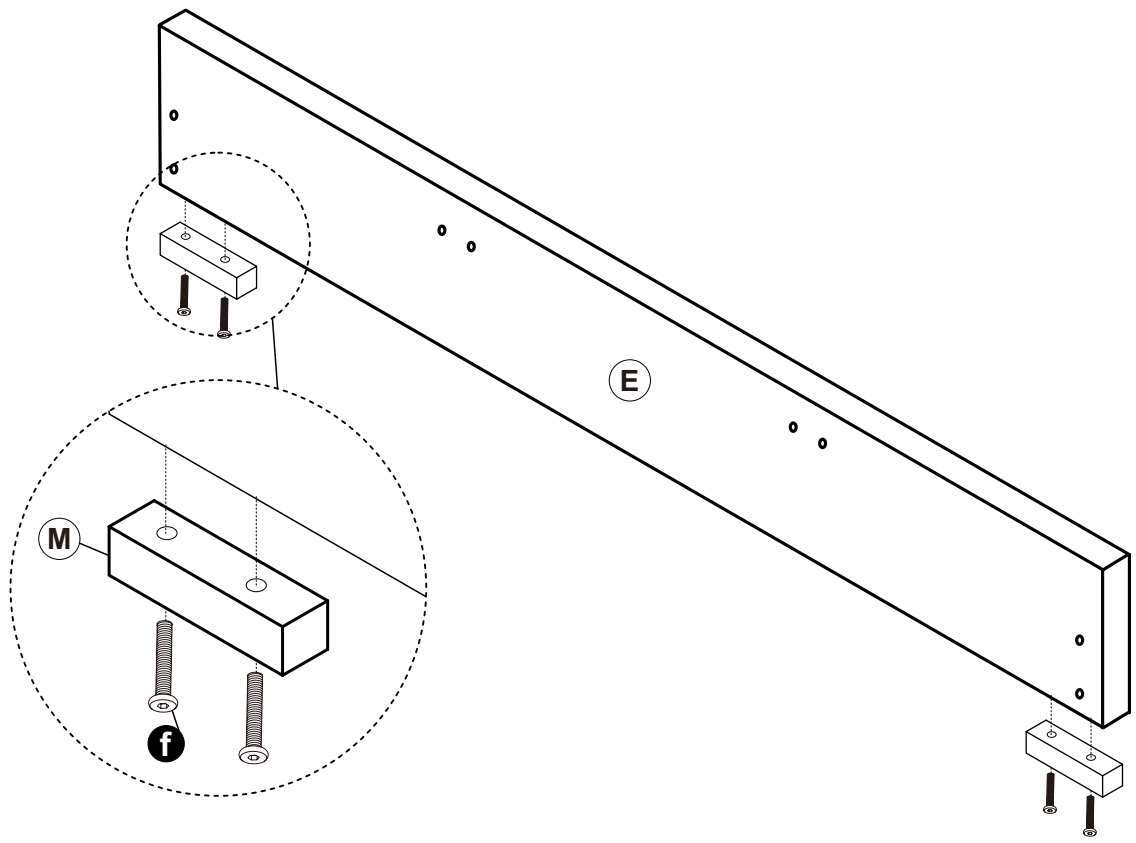
Tighten all bolts.

# step6

f



4PCS



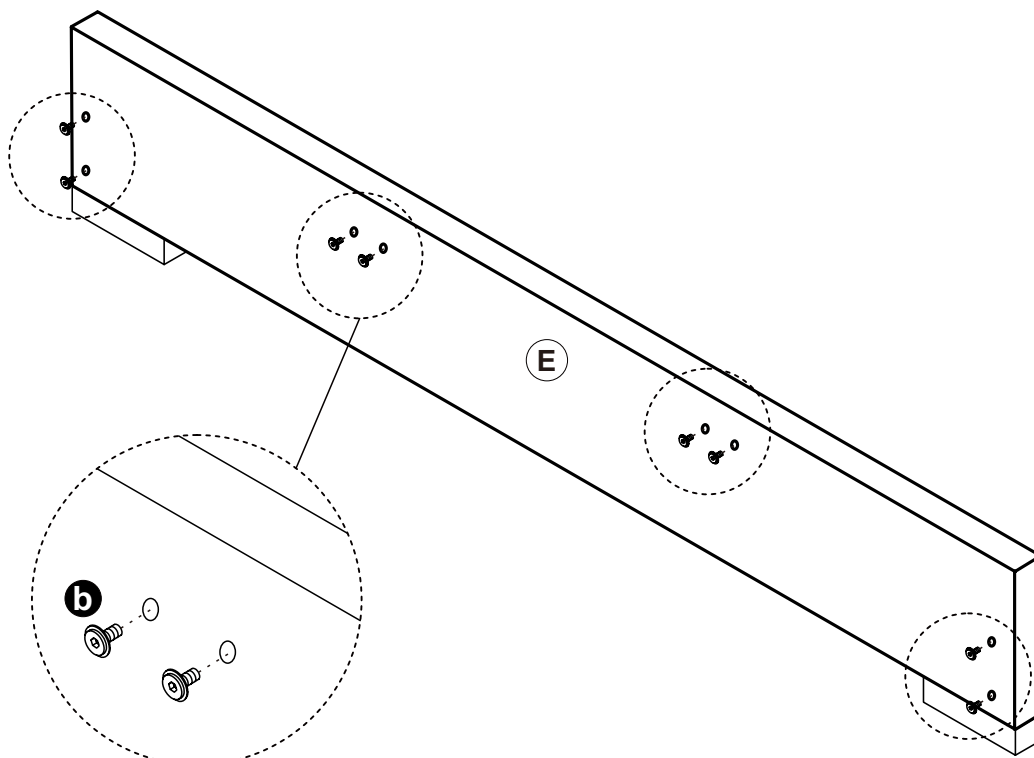
# step7

b



M8\*25

8PCS



50% pre-screwed.

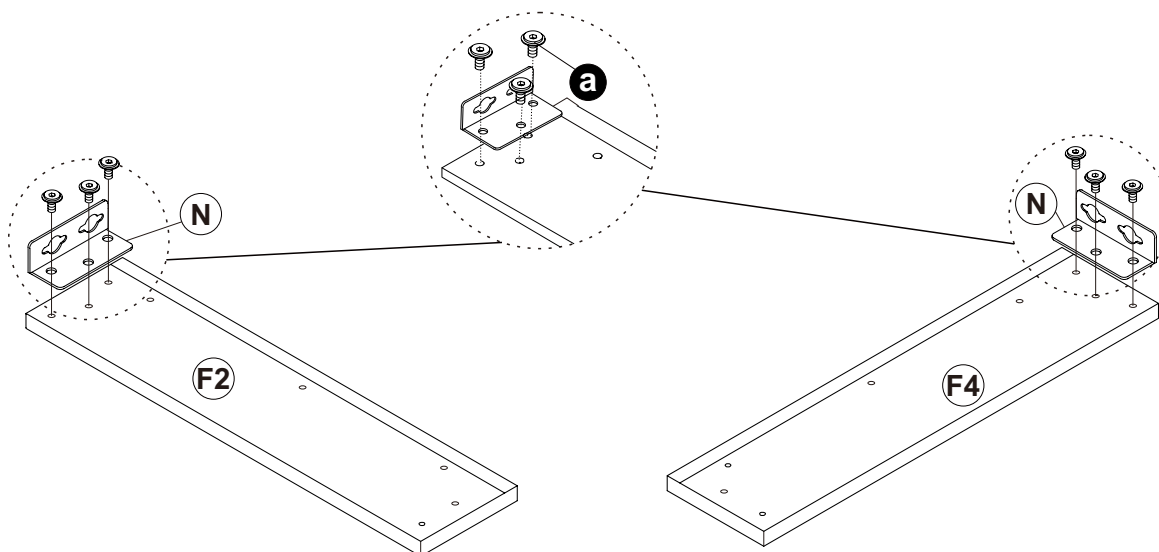
# step8

a



M8\*18

6PCS

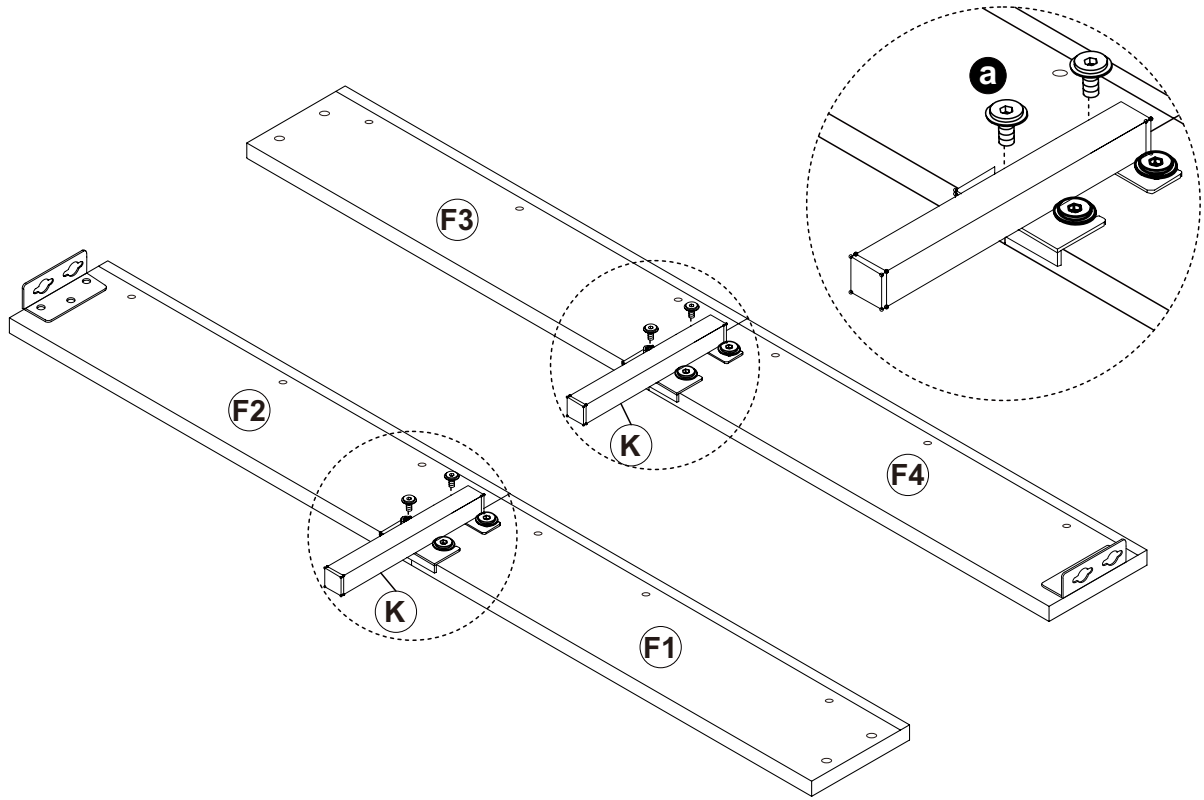


# step9

a

M8\*18

8PCS

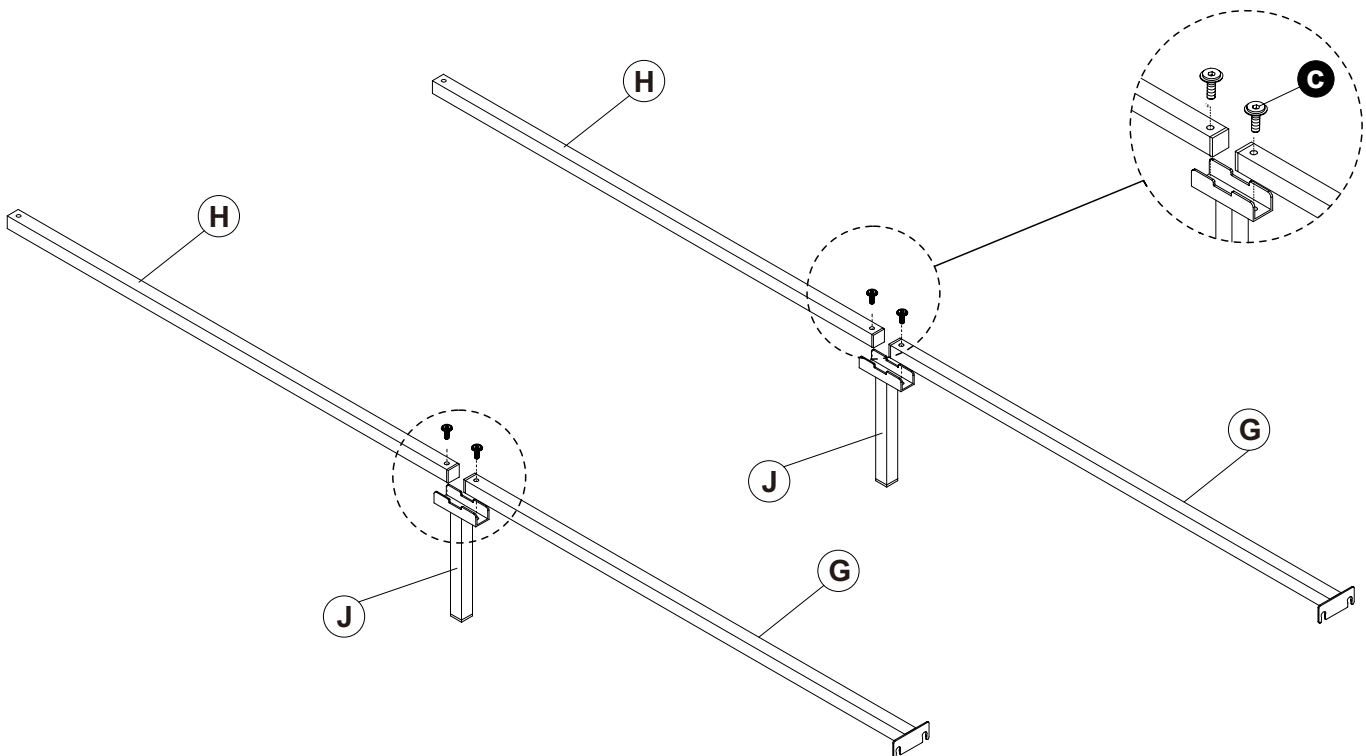


# step10

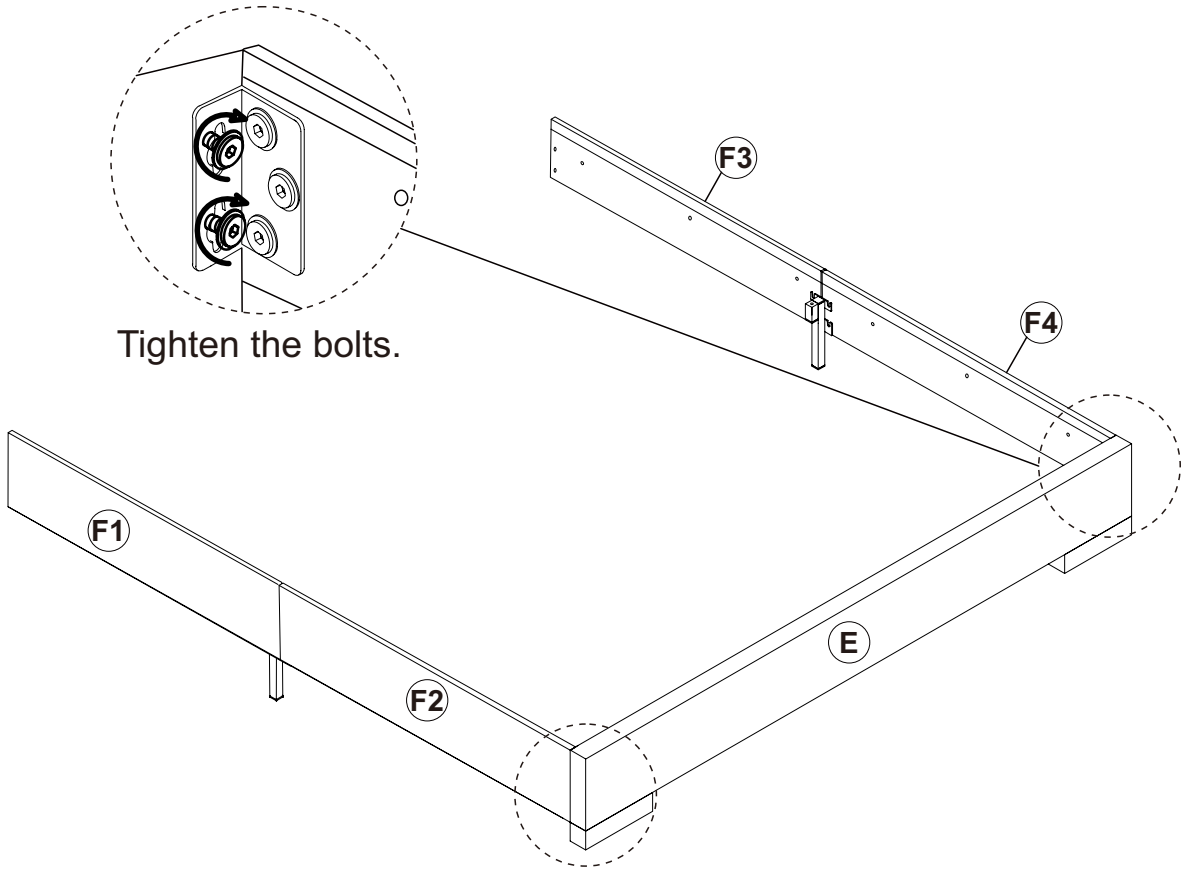
C

M8\*35




4PCS

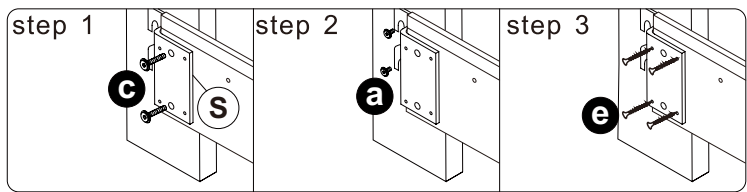
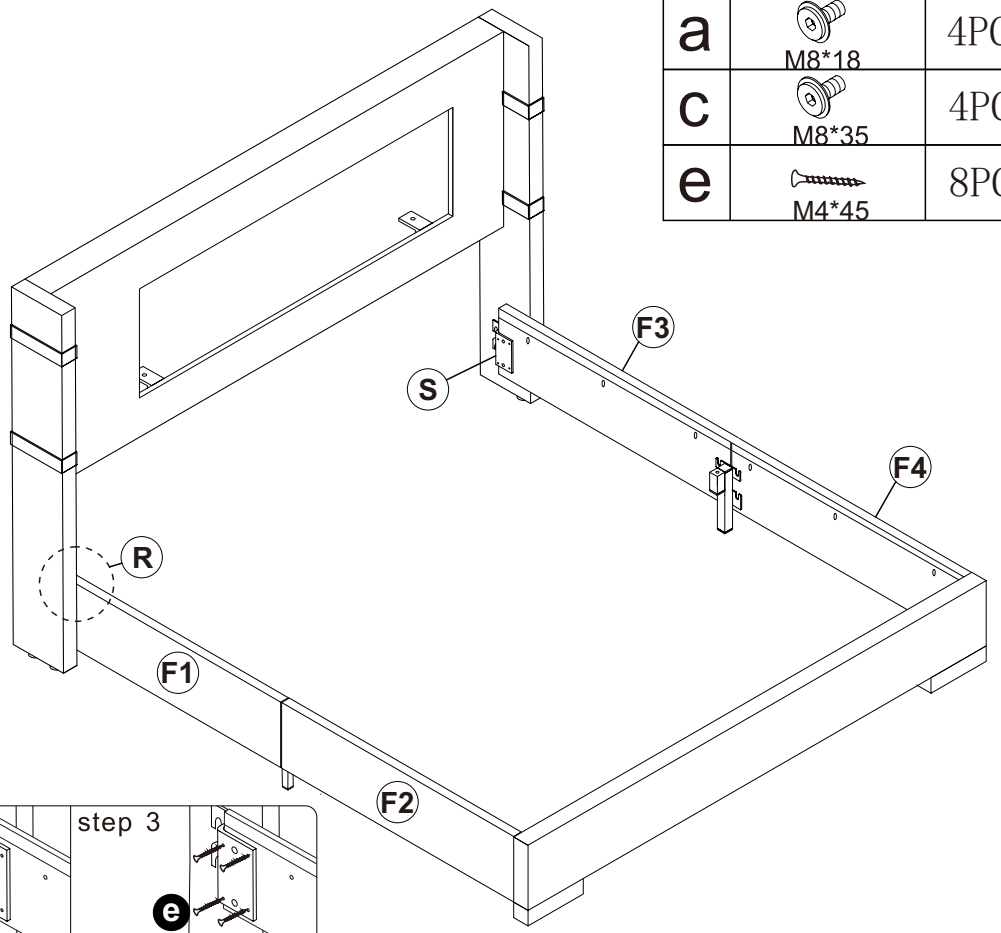


# step11




# step12

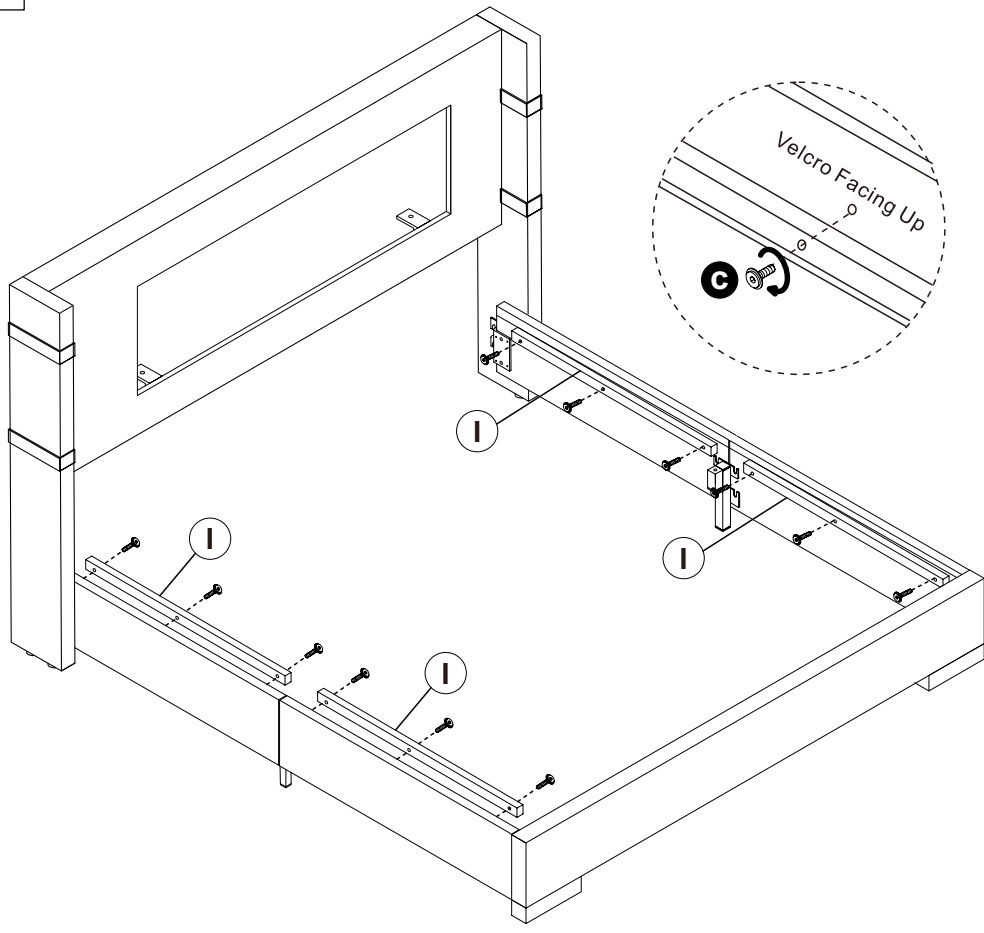
<b>a</b>	 M8*18	4PCS
<b>c</b>	 M8*35	4PCS
<b>e</b>	 M4*45	8PCS



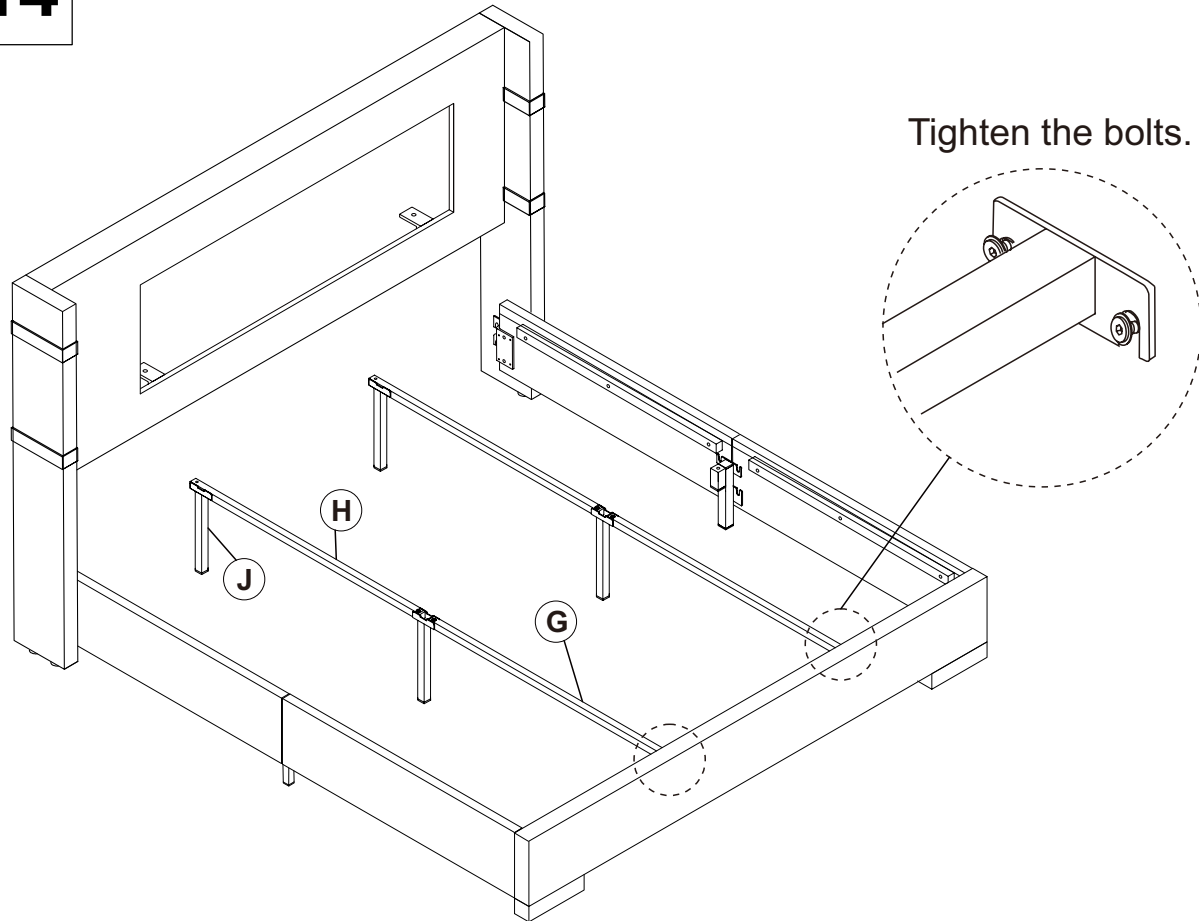
50% pre-screwed. Tighten all bolts.

# step13

C  12PCS  
M8\*35



# step14

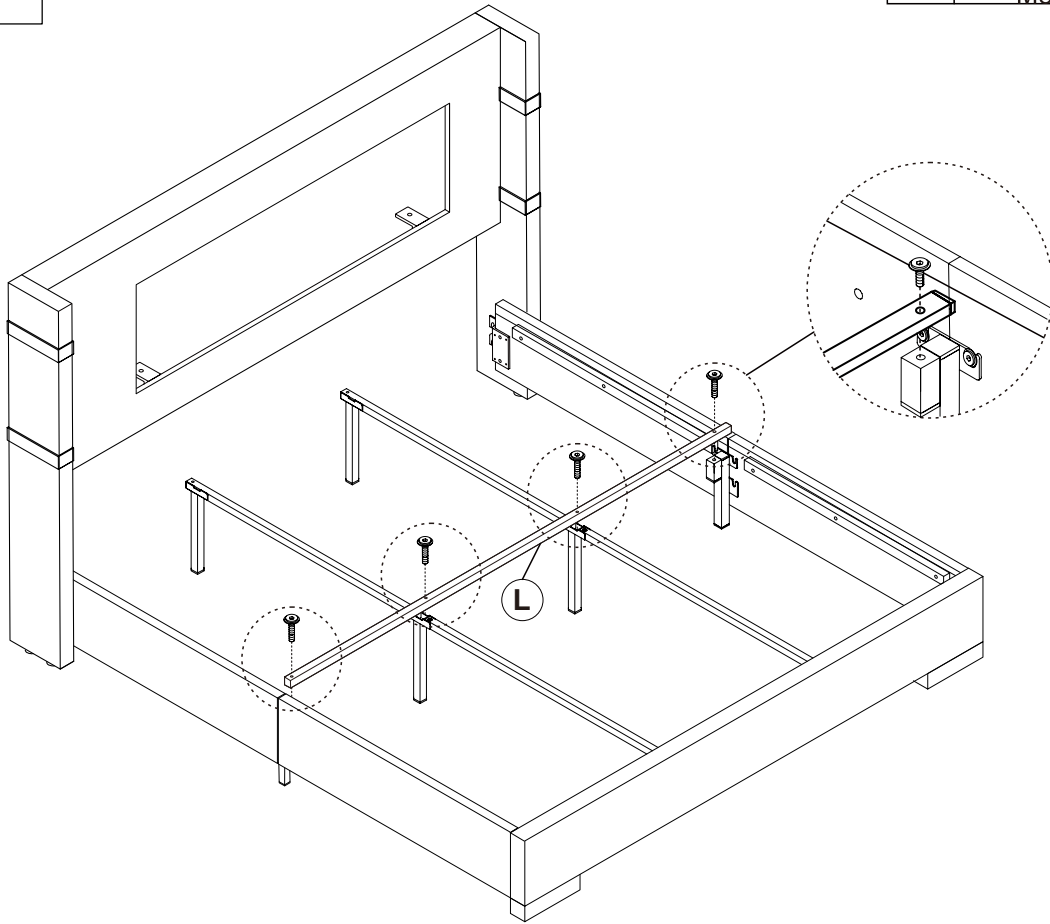


# step15

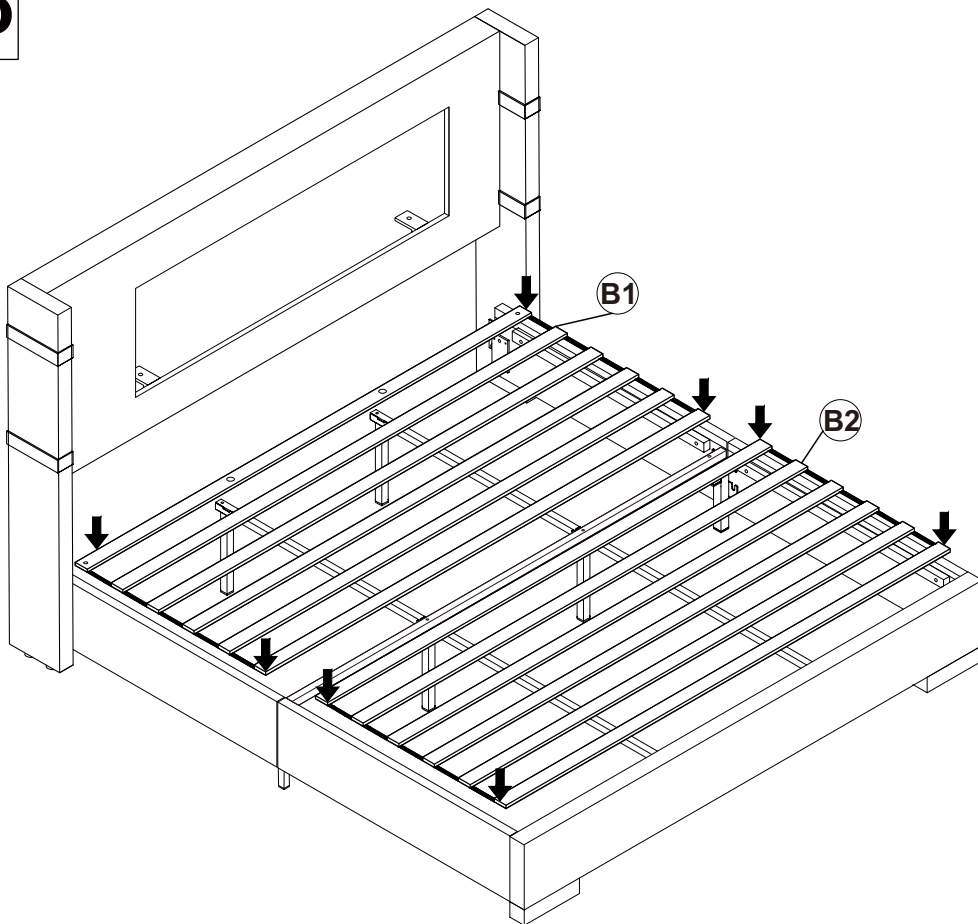
C

  
M8\*35

4PCS



# step16

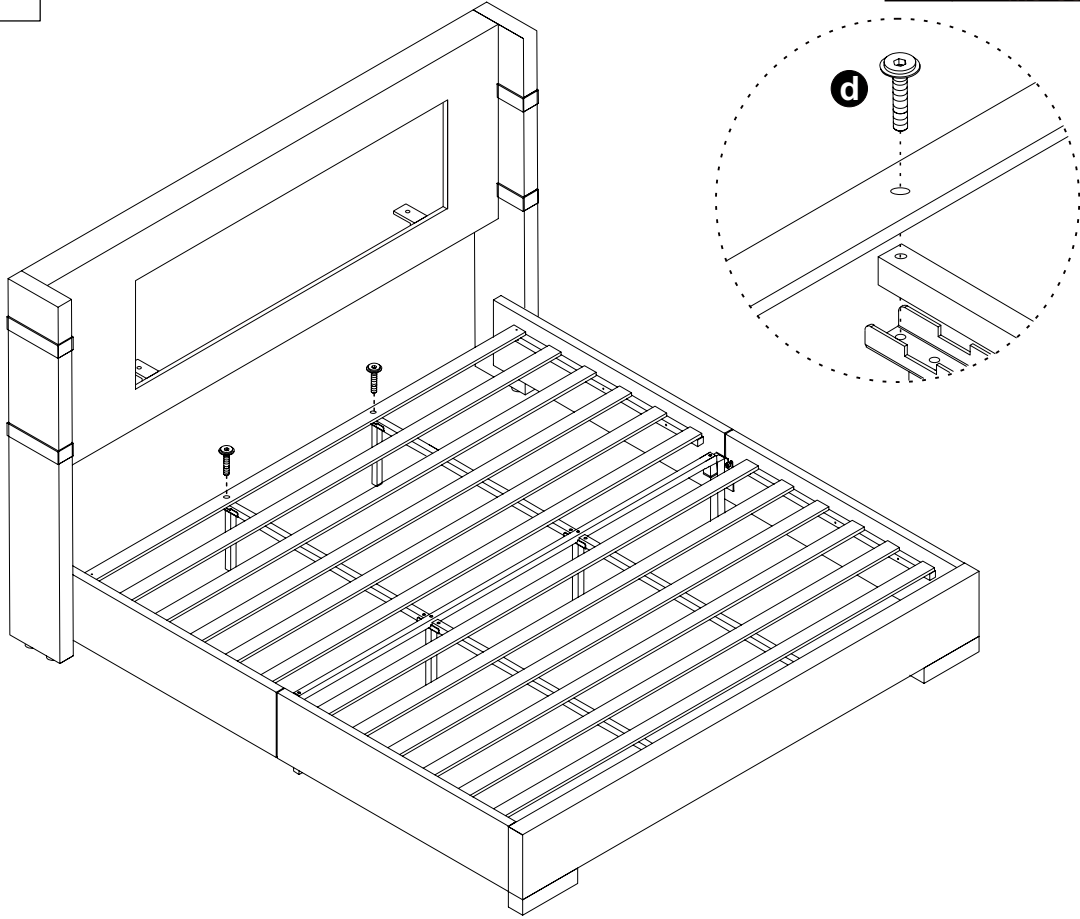


# step17

d

M8\*55

2PCS



# step18

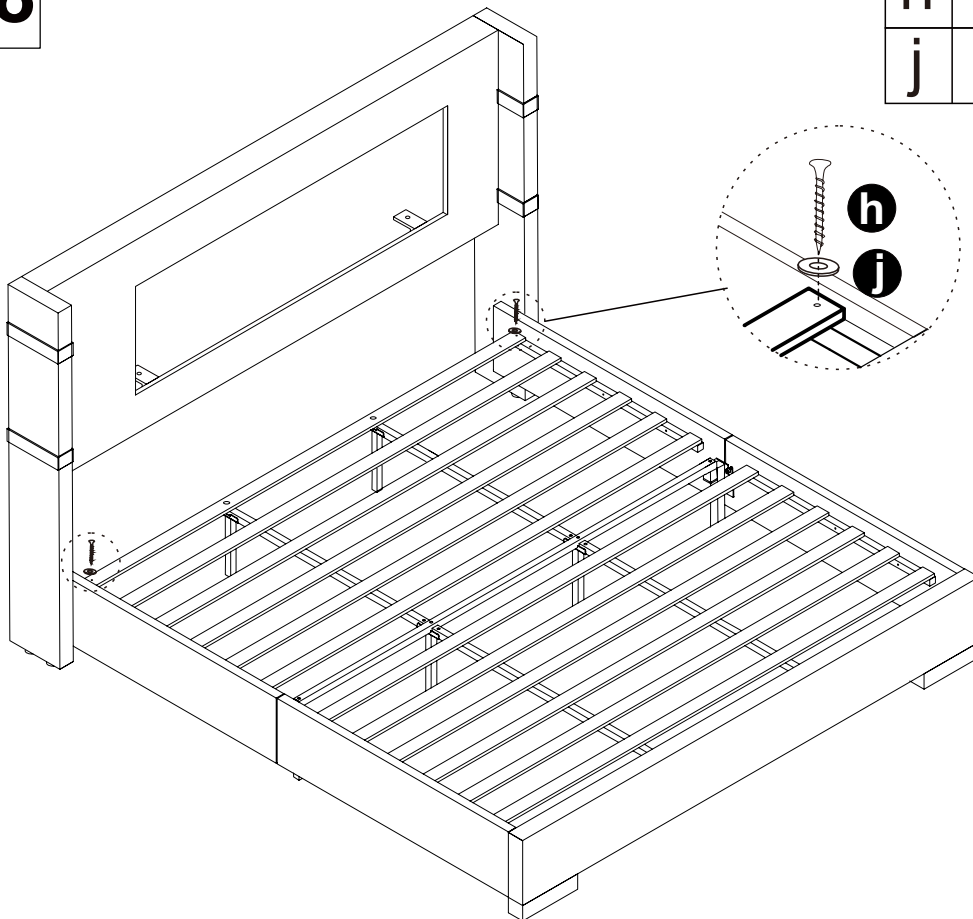
h

M4\*35

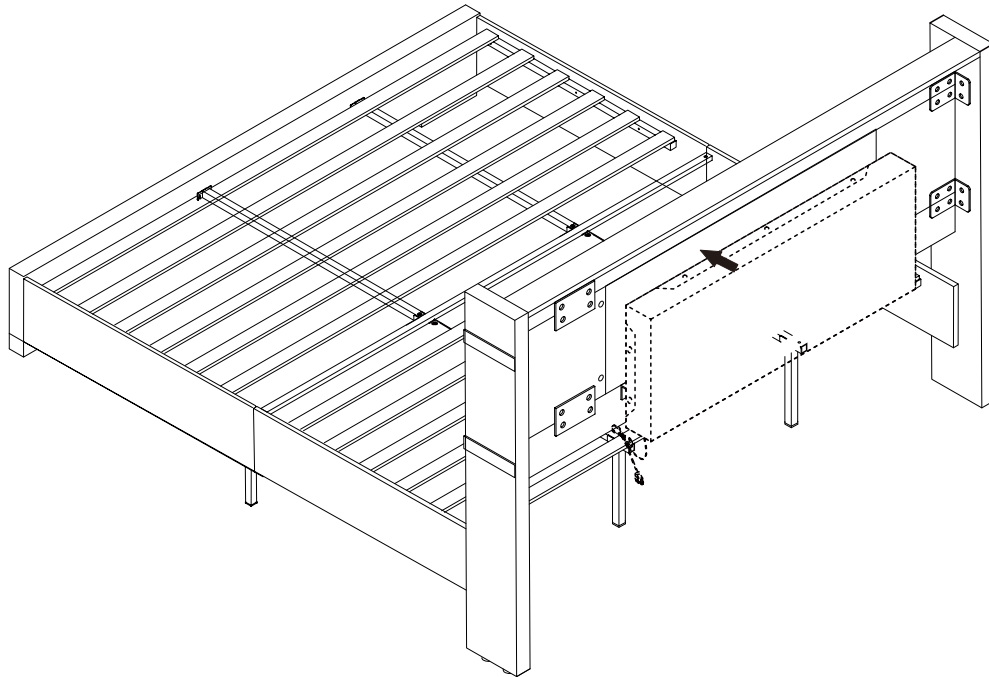
2PCS

j

2PCS



# step19

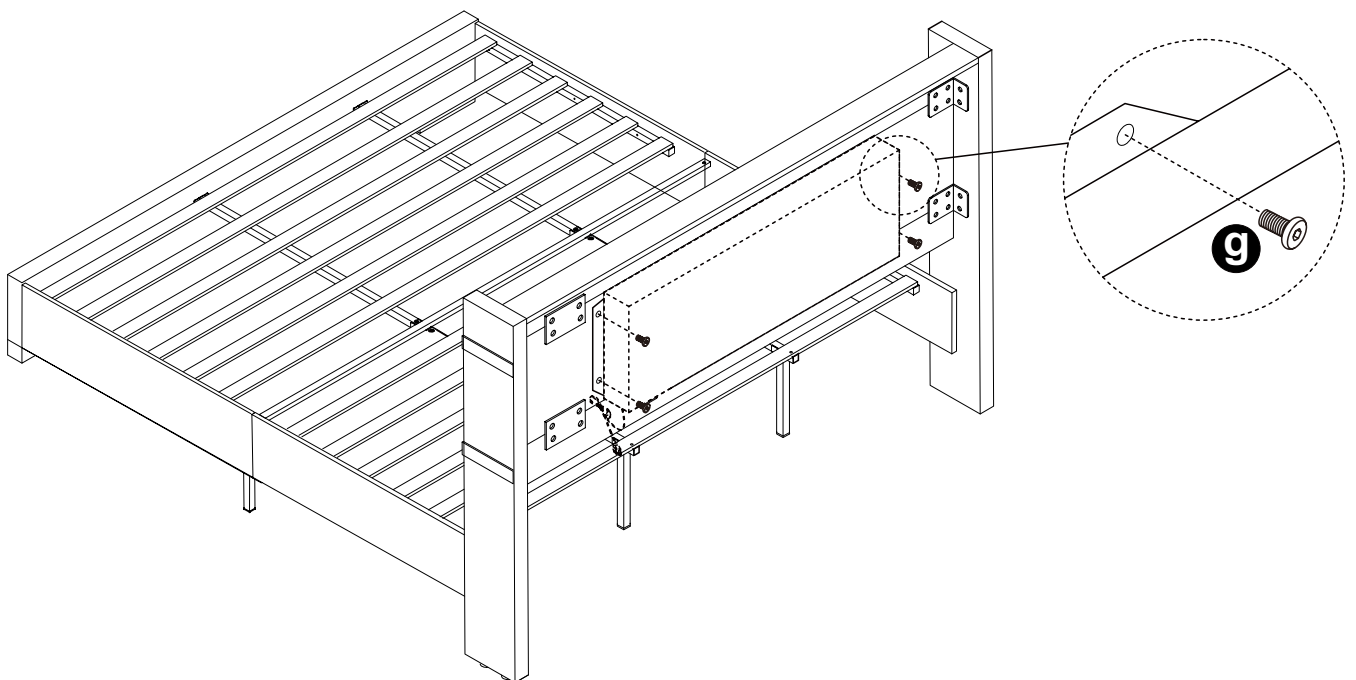


# step20



g

M6\*20

4PCS



# step21

m		6PCS
j		6PCS

