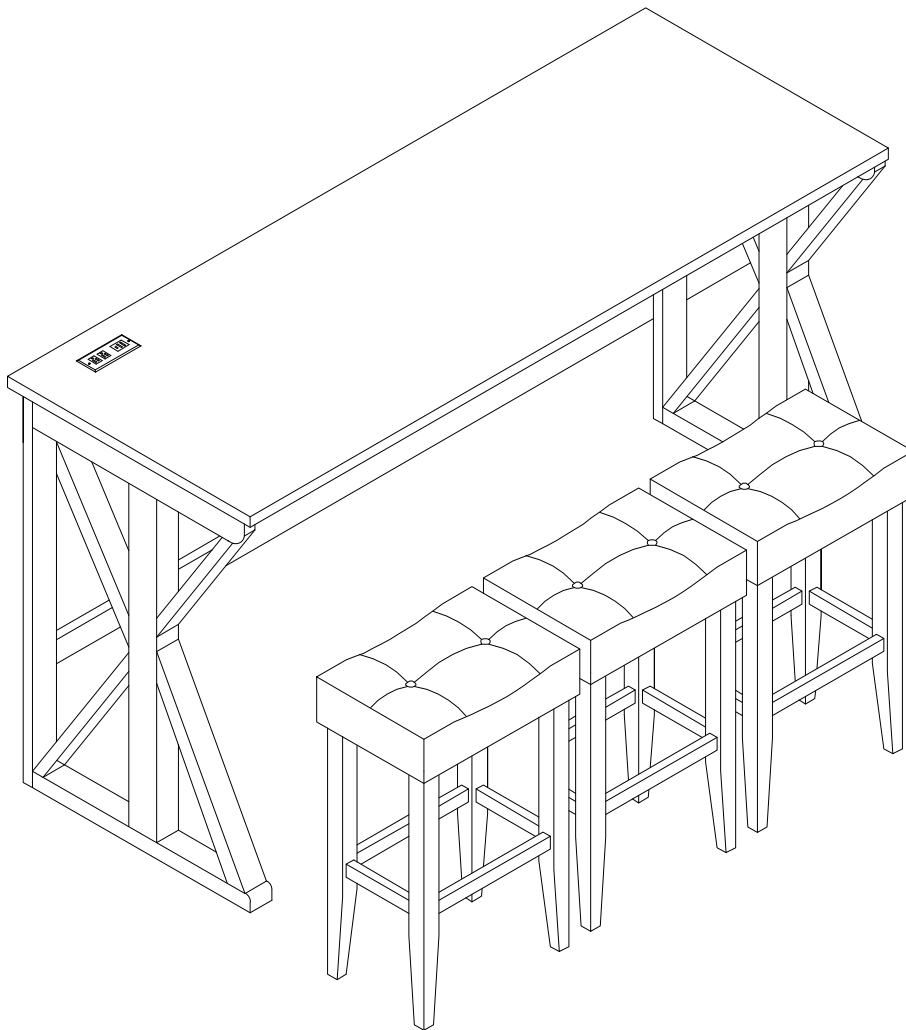


# User Manual




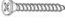







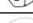


## COUNTER TABLE SET



## Assembly Instruction for COUNTER TABLE SET

**Caution:** Please read instructions thoroughly before unpacking assembly parts. Sharp, exposed staple tips can cause injury, therefore, for your protection, please remove any exposed staples used in packing.

1. We recommend that you assemble this product with the assistance of another person; this will make assembly easier, and will help to eliminate damage to the product or injury to persons during assembly.
2. Be sure to check all packing materials carefully for small parts that may have come loose inside the carton during shipment.
3. Please do not over tighten screws or bolts.
4. Please put all parts on a non-abrasive floor before assembly, and follow the assembly steps to assemble your newly purchased product correctly and efficiently.

| PART LIST |                                |      | HARDWARE LIST |   |      |  |
|-----------|--------------------------------|------|---------------|---|------|--|
| No.       | PART DESC                      | Q'TY | No.           | HARDWARE DESC   | Q'TY |  |
| A         | STOOL SEAT FRAME WITH CUSHION  | 3    | 1             |  ALLEN BOLT (1/4"x 50mm)       | 24   |  |
| B         | STOOL LEGS                     | 12   | 2             |  SPRING WASHER(1/4")           | 24   |  |
| C         | STOOL FRONT & BACK STRETCHER   | 6    | 3             |  FLAT WASHER (1/4"x 19mm)      | 24   |  |
| D         | STOOL LEFT & RIGHT STRETCHER   | 6    | 4             |  COLORFUL SCREW (50mm)         | 29   |  |
| E         | COUNTER TABLE TOP              | 1    | 5             |  ALLEN KEY(M4)                 | 1    |  |
| F         | COUNTER TABLE LEFT FOOT        | 1    | 6             |  ALLEN BOLT (5/16"x 45mm)      | 4    |  |
| G         | COUNTER TABLE RIGHT FOOT       | 1    | 7             |  SPRING WASHER (5/16")       | 4    |  |
| H         | COUNTER TABLE TOP STRETCHER    | 1    | 8             |  FLAT WASHER(5/16"x 21mm)    | 4    |  |
| I         | COUNTER TABLE BOTTOM STRETCHER | 1    | 9             |  ALLEN KEY (M5)              | 4    |  |
|           |                                |      | 10            |  FULL TOOTH BOLT(5/16"*70mm) | 2    |  |
|           |                                |      | 11            |  HALF-MOON GASKET(5/16")     | 2    |  |
|           |                                |      | 12            |  NUT(5/16")                  | 2    |  |
|           |                                |      | 13            |  OPEN WRENCH(5/16")          | 1    |  |
|           |                                |      | 14            |  LIP                         | 2    |  |

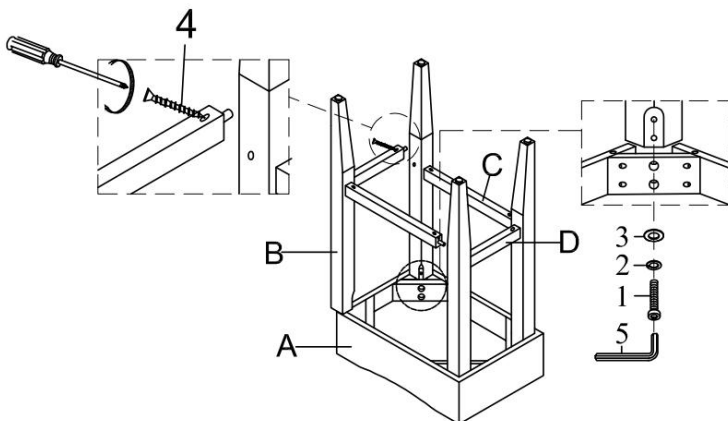
NOTES: Do not fully tighten any bolts until last step.

### TOOLS REQUIRED (NOT PROVIDED)

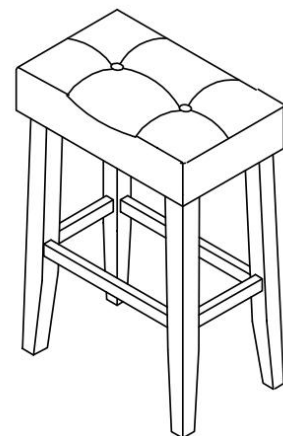


Phillips Screw Driver

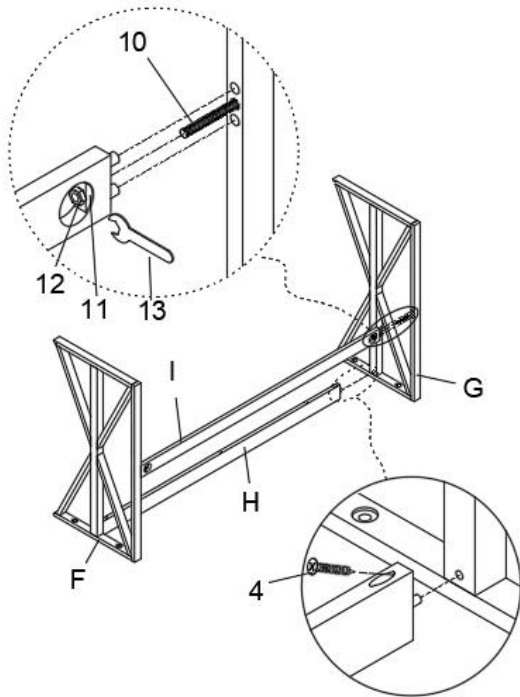
### STEP1:



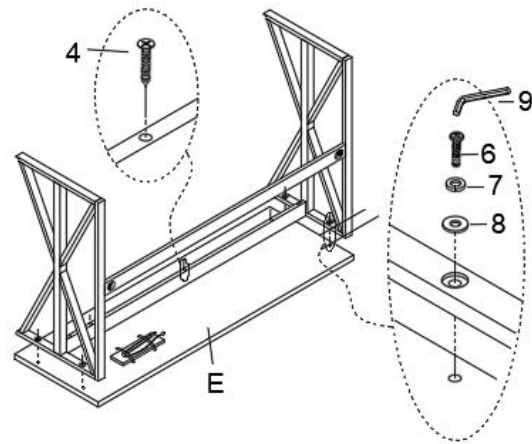
### COMPLETED



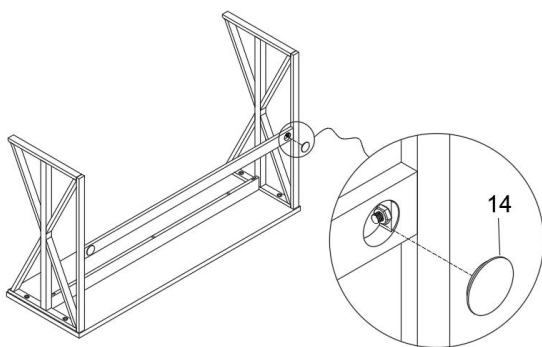
STEP 2: Please tight full tooth bolt full the first, after to connect the middle stretcher.



STEP 3:



STEP 4: Assembled all of parts. Please use the lip (14) to cover the hole.



COMPLETED



# WARRANTY CARD

## Your warranty includes

- **30 Days Money Back Guaranty**

Within the first 30 days of your purchase, you are allowed to return your product for a full refund.

- **30 Days to 3 Months(6 Months)**

We will replace the defective unit due to manufacturer fault with a new one. (You will receive extra 3 Months warranty if you register on our website.)

- **3 Months to 24 Months**

Within 24 Months, we will provide timely and effective online after-sales service after your purchase.

## How to return your Products

- We will issue you RMA # and return address for your return.
- Please fill out RMA info, tear off this page and leave it inside your return package.
- We will issue replace / return after receiving your return.

## Return product details

To get your returns processed as quickly as possible, please fill this form and include it in your return package.

|                      |  |
|----------------------|--|
| Purchase Name        |  |
| Order Number         |  |
| Date of Purchase     |  |
| Your Email Address   |  |
| Where did you buy it |  |

\* If your product was purchased through an official fulfillment channel, please contact the platform's customer service to request a return within 30 days of purchase.