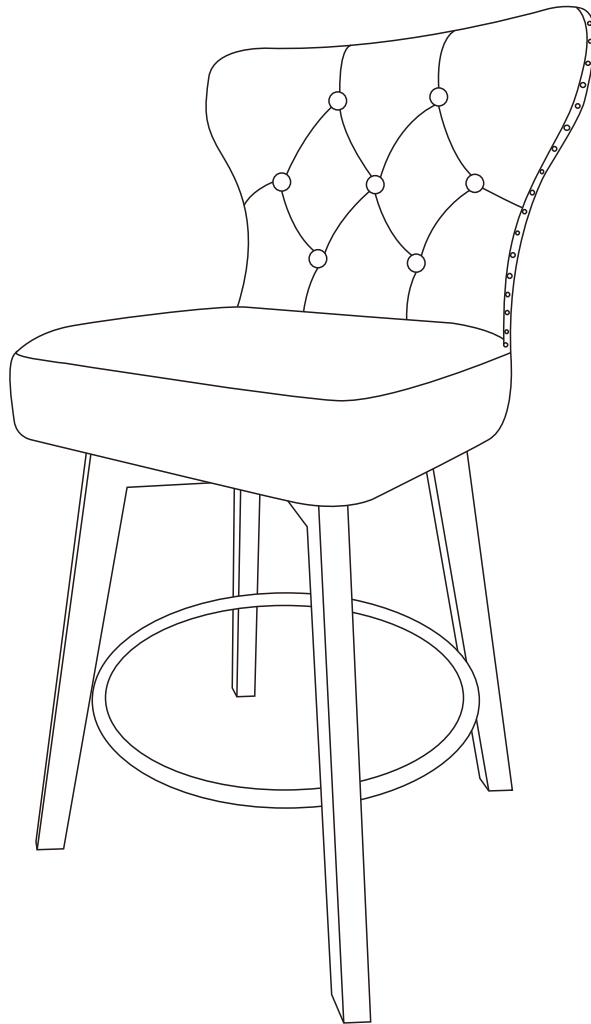


---

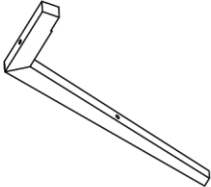
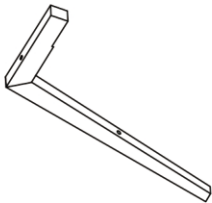
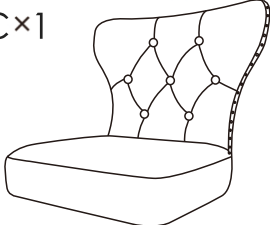

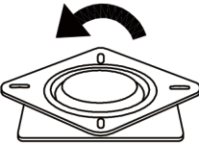




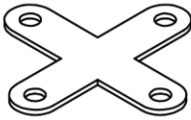

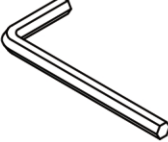
# Assembly Manual

## Counter & Bar Height Swivel Stool



**⚠ CAUTION**

THIS ASSEMBLY MANUAL CONTAINS IMPORTANT SAFETY INFORMATION.  
PLEASE READ AND KEEP FOR FUTURE REFERENCE.

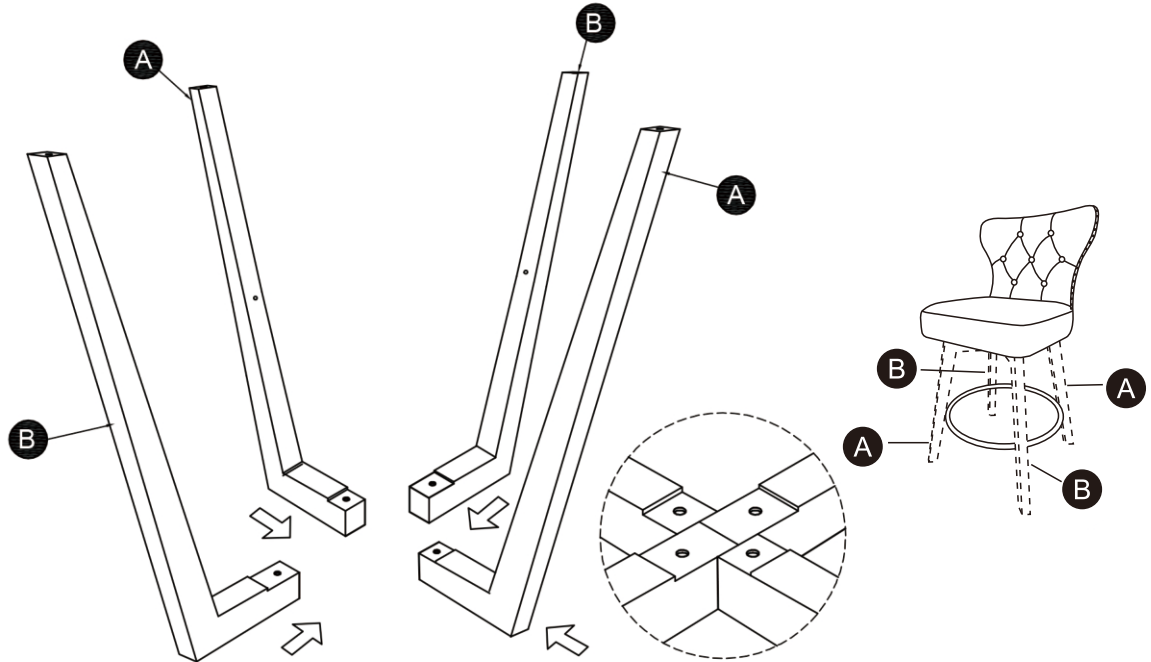
<p>A×2</p> 	<p>B×2</p> 	<p>C×1</p> 
<p>D×1</p> 	<p>E×1</p> 	<p>H1×4</p>  <p>Long Bolt M6x35mm</p>
<p>H2×12</p>  <p>Short Bolt M6x20mm</p>	<p>H3×12</p>  <p>Spring Washer</p>	<p>H4×12</p>  <p>Flat Washer</p>
<p>H5×1</p>  <p>Cross Metal Plate</p>	<p>H6×4</p>  <p>Foot Leveler</p>	<p>T1×1</p> 

Please read through the instructions below to familiarize yourself with the parts and steps before assembly.

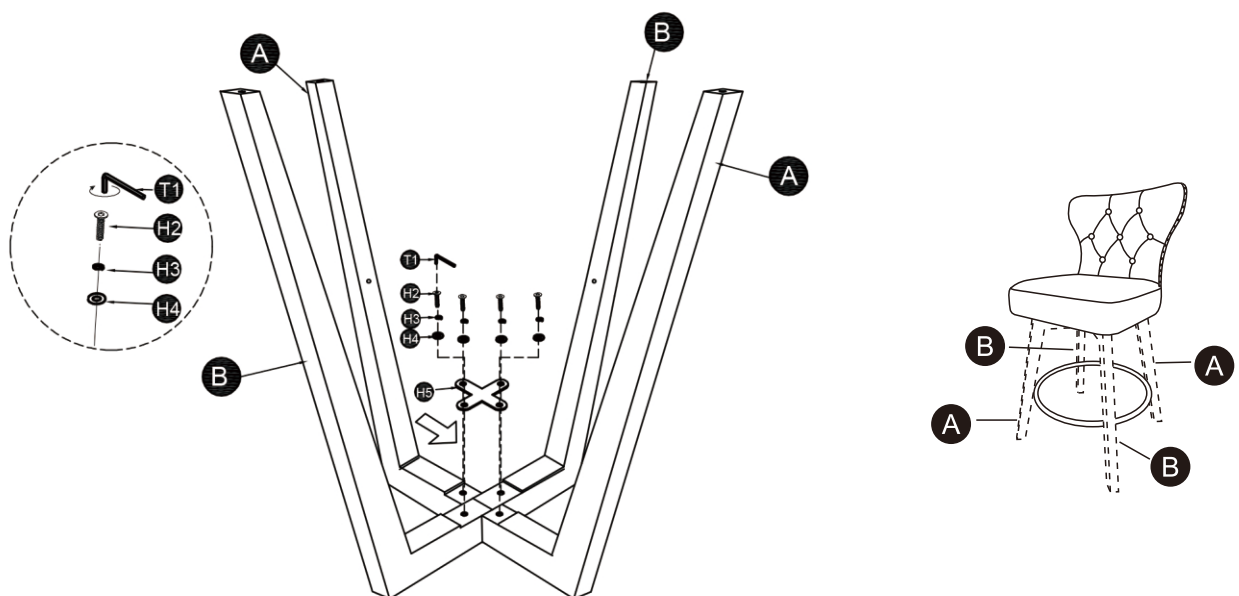
---

# ASSEMBLY INSTRUCTIONS

- 1** Connect Leg (A) and Leg (B) together to form the stool base.

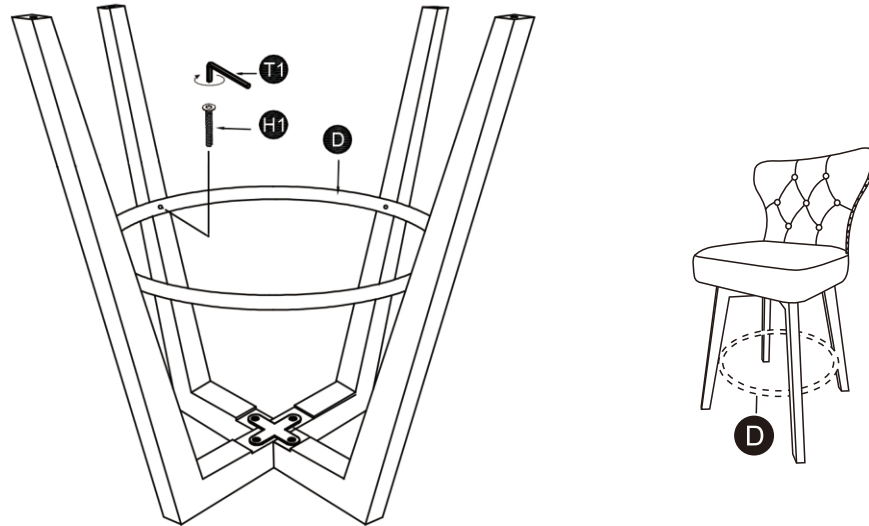


- 2** Place the cross metal plate (H5) in the middle of the stool base. Proceed to loosely attach the Short Bolts (H2) one by one, but keep them loose. Do not fully tighten them yet. After loosely attaching the first bolt, continue with the remaining bolts. Once all 4 bolts are attached, use the Allen Wrench (T1) to tighten them.

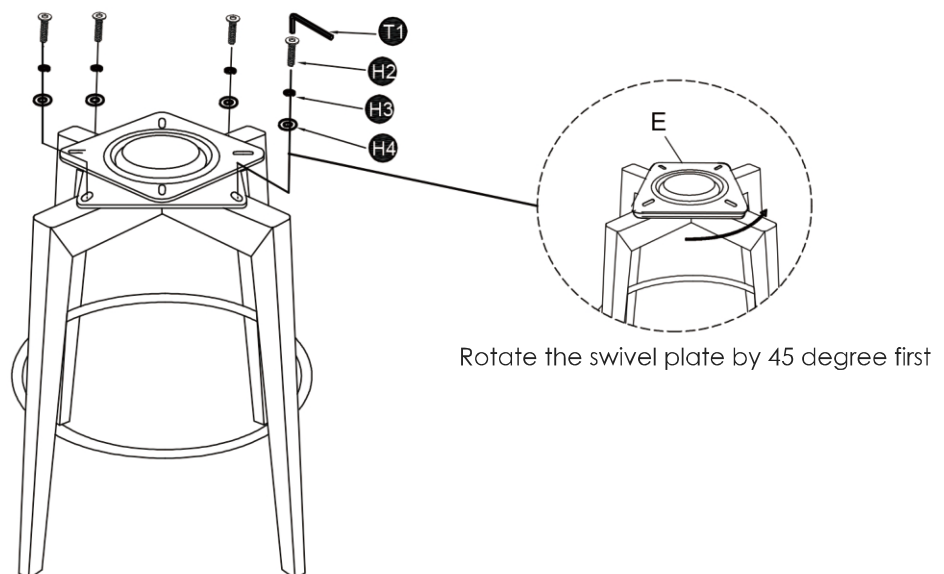


- 
- 3** Flip over the stool base. Loosely attach the Long Bolts (H1) one by one and keep them loose. Do not fully tighten. After loosely attach the first bolt, move on to the diagonal bolt. After all 4 bolts are attached, use Allen Wrench (T1) to tighten.

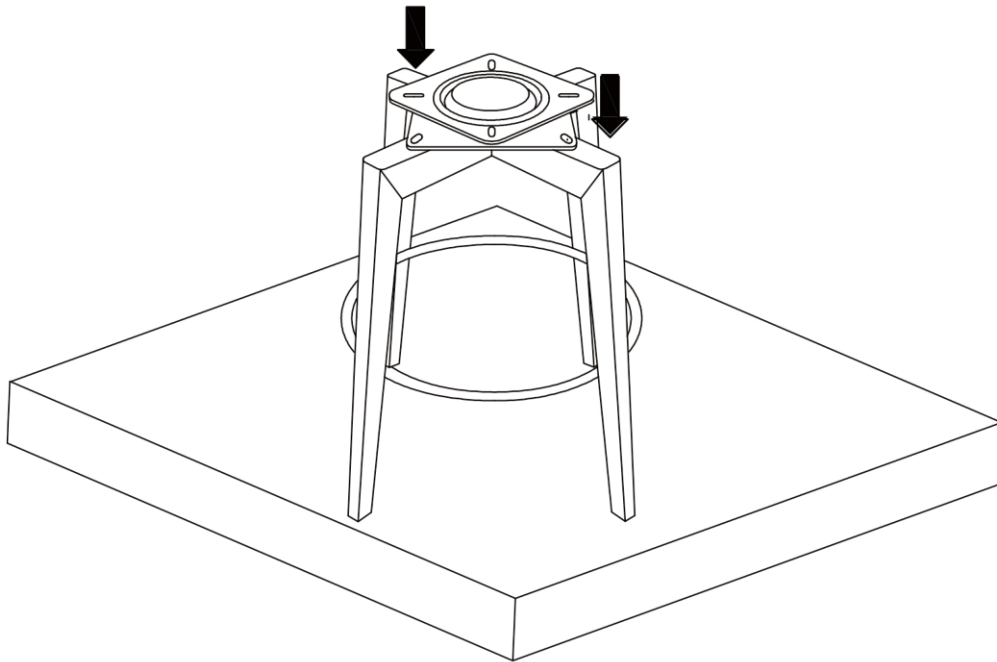
**Note: Do NOT use power tools for assembly.**



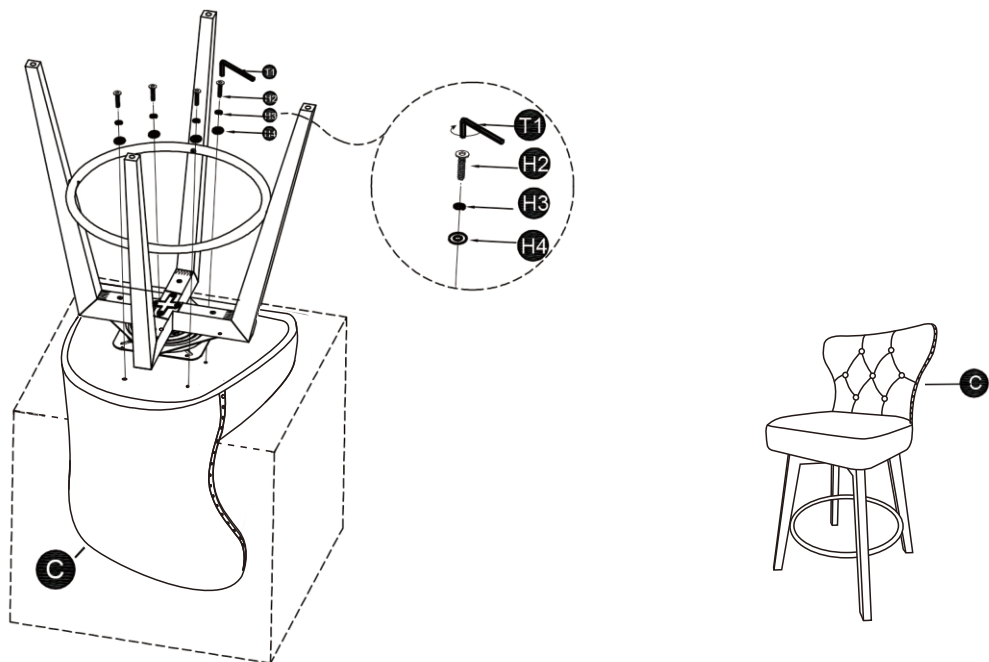
- 4** Attach Swivel Plate (E) to assembled stool base in Step 3, using Short Bolt (H2), Lock Washers (H3), Flat Washers (H4) and Allen Wrench (T1). Note: Do not fully tighten yet.



- 
- 5** Put assembled stool base in Step 4 on a flat surface. Push legs up or down as necessary to level. Once level, fully tighten all bolts.

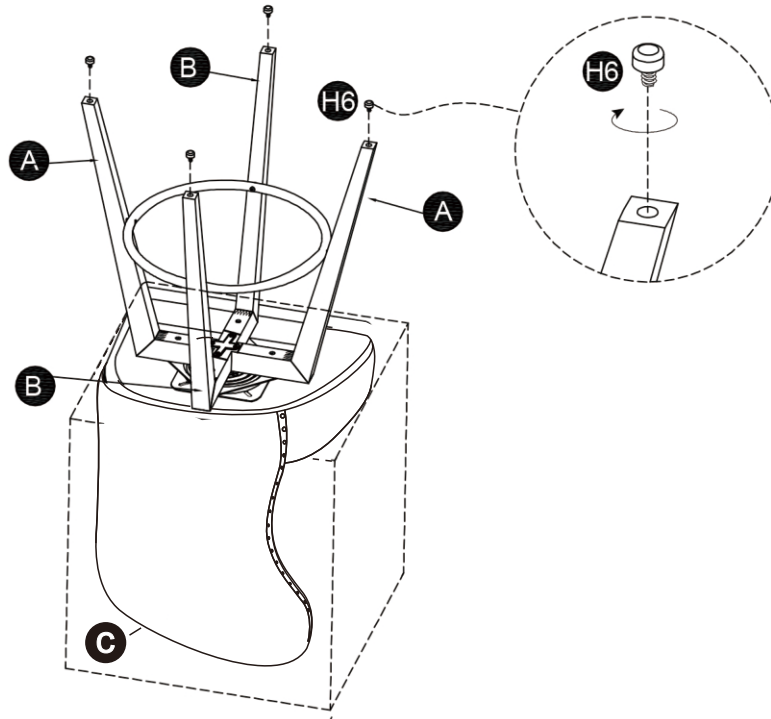


- 6** Attach the assembled stool base in Step 5 to the Seat Bucket (C), using Short Bolts (H2), Lock Washers (H3), Flat Washers (H4) and Allen Wrench (T1). Fully tighten all bolts.



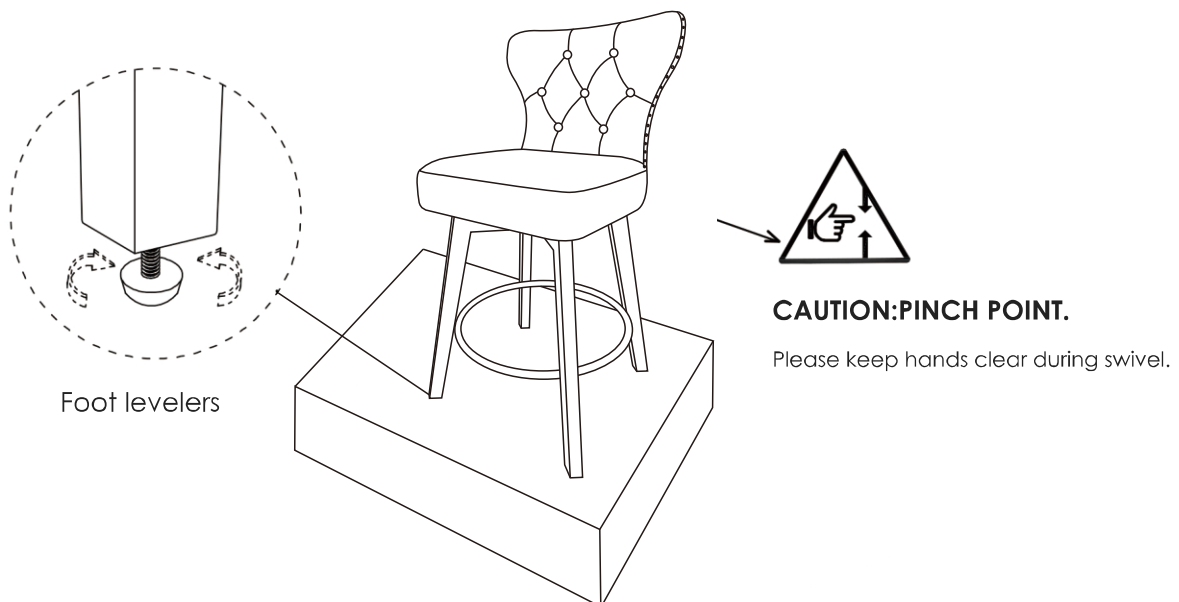
---

**7** Attach the Foot levelers (H6) to the Leg(A) and Leg (B).



**8** Assembly complete. Enjoy.

Note: Each leg has an adjustable foot leveler to help level your chair.



---

## **PRODUCT WARRANTY**

- 1-year limited on cover against splitting, peeling, and/or tearing.
- 1-year limited on internal and external frame structure.
- 1-year limited on cushioning material, seat springs and mechanism.

## **Contact us:**

We make all efforts to guarantee that the products you receive are in excellent condition. If there are any parts missing or damaged, the Customer Service Team will be happy to provide free replacements for you. We have professional warehouses where the current inventory of parts is enough so that they will arrive in your hands as fast as possible.