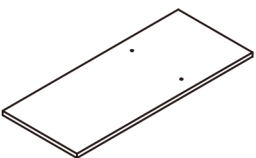
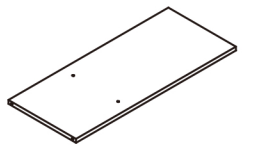
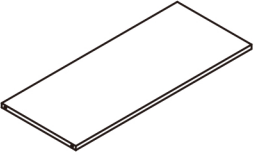
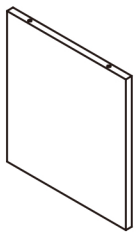
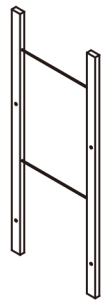
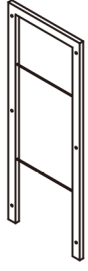
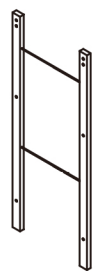
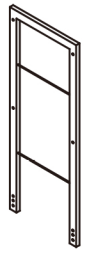
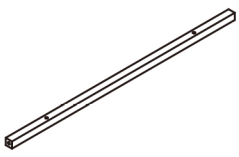

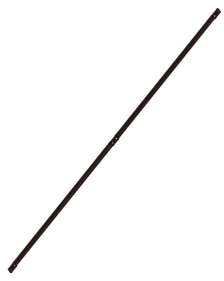


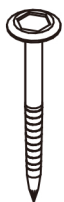


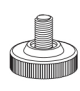
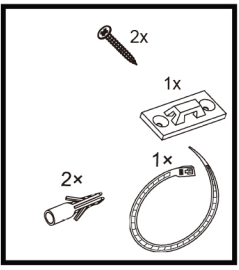
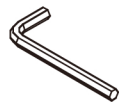

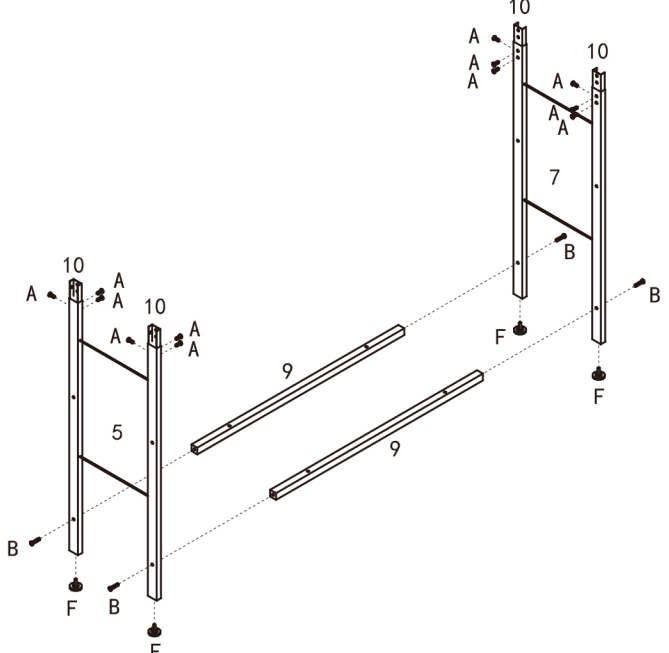


Assembling Instruction

Attention: Do not tighten the screws until all of them are in right positions

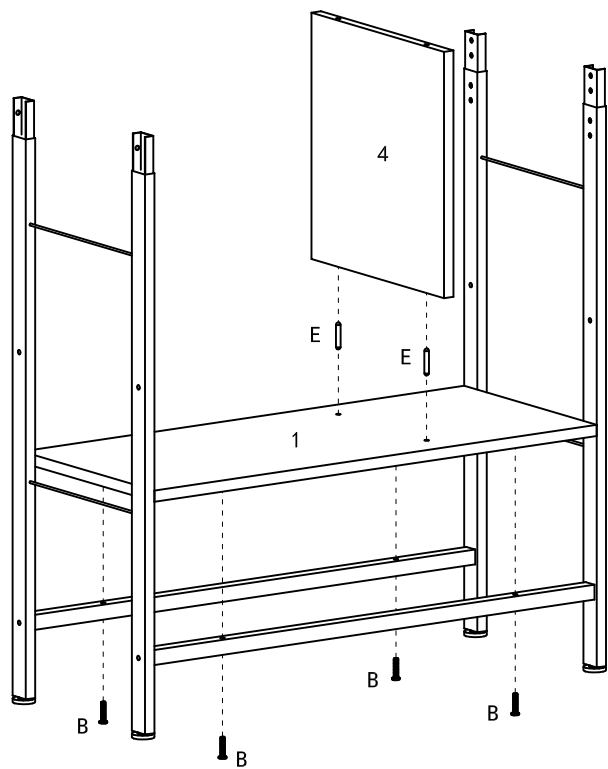
 <p>X1</p>	 <p>X3</p>	 <p>X1</p>	 <p>X4</p>	 <p>X1</p>
 <p>X1</p>	 <p>X1</p>	 <p>X1</p>	 <p>X2</p>	 <p>X4</p>
 <p>X2</p>	<p>A</p>  <p>M6X10 X29</p>	<p>B</p>  <p>M6X30 X8</p>	<p>C</p>  <p>M5X50 X16</p>	<p>D</p>  <p>M6 X1</p>
<p>E</p>  <p>M8X30 X16</p>	<p>F</p>  <p>M6 X4</p>	<p>G</p>  <p>X2</p>		

1



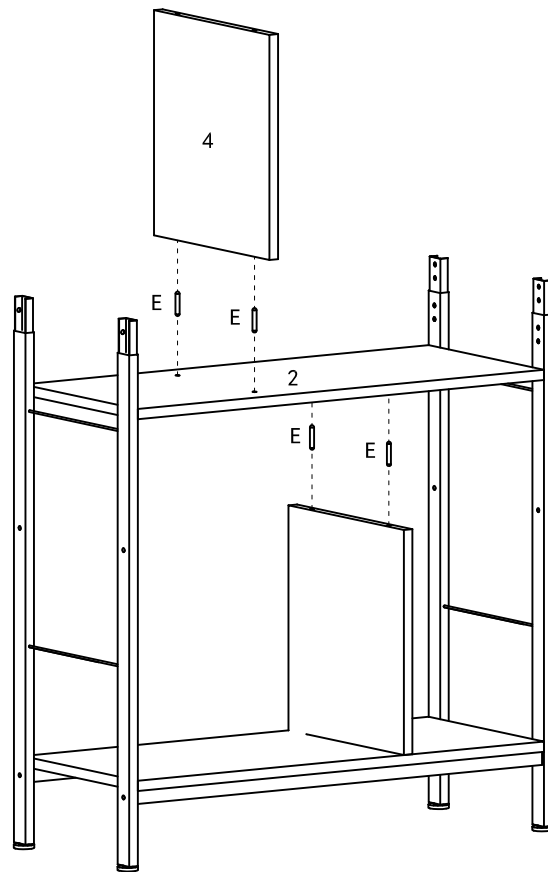
A	X12
B	X4
F	X4

2



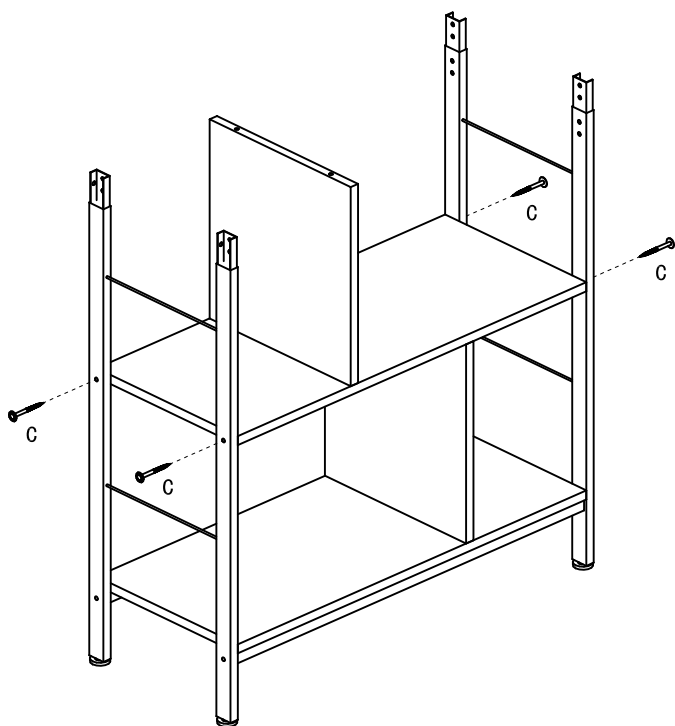
B	X4
E	X2

3



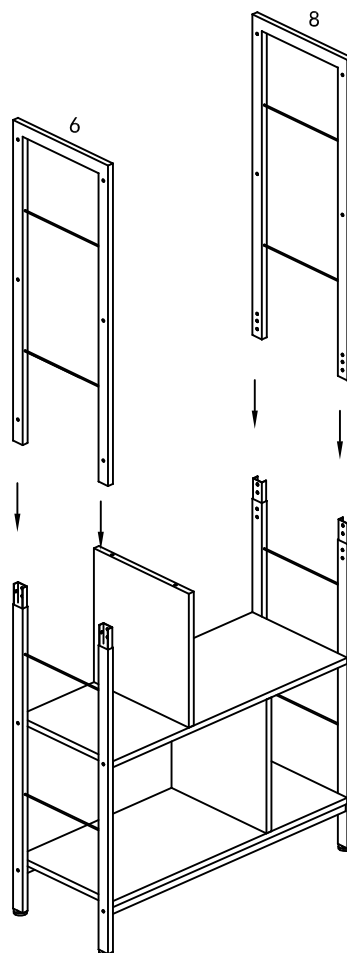
E	X4
---	----

4

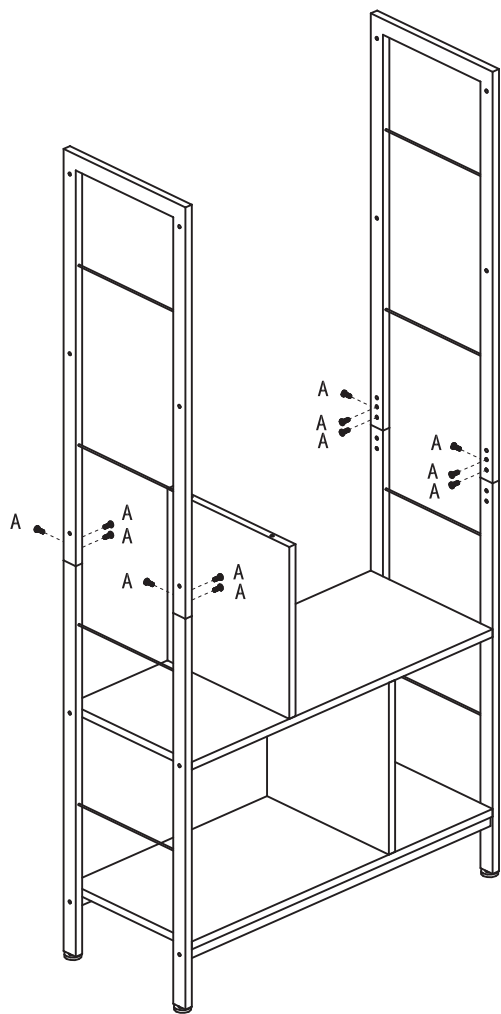


C	X4
---	----

5

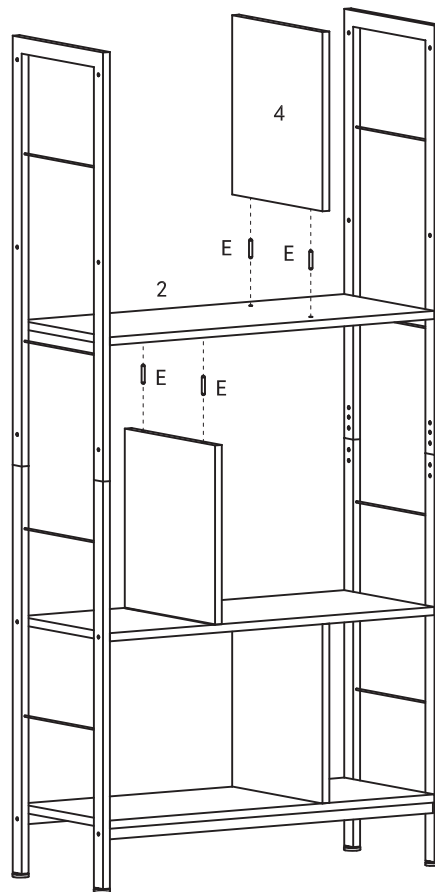


6



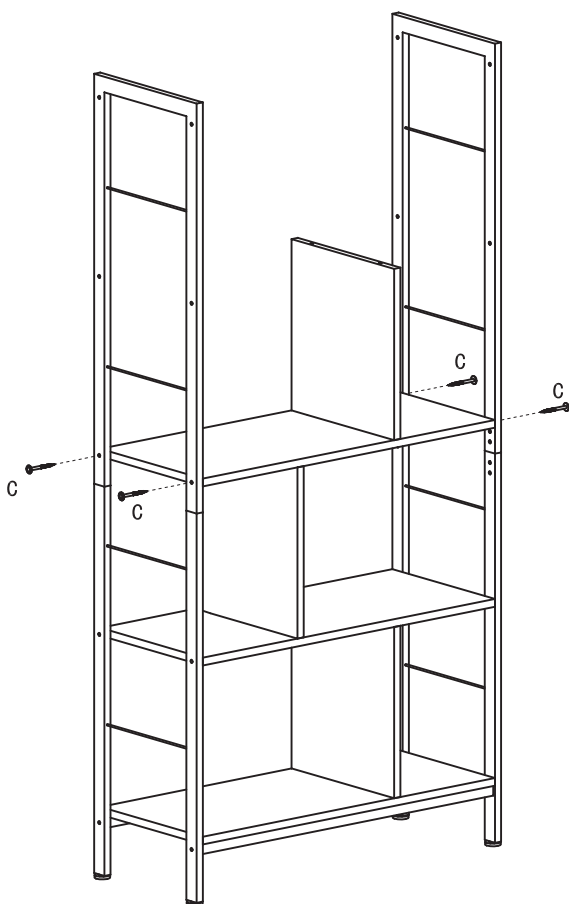
A X12

7



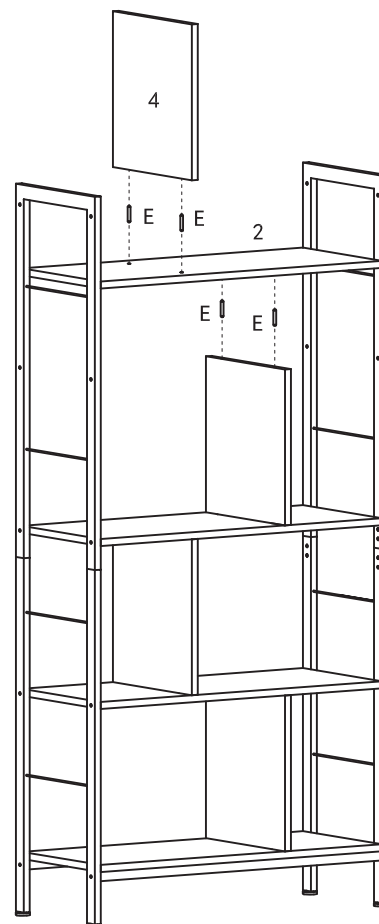
E X4

8



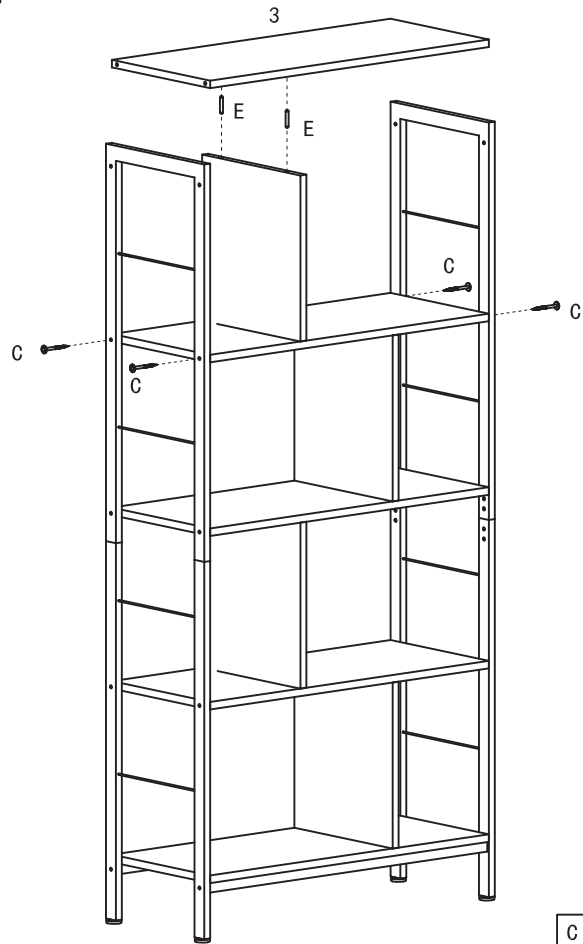
C X4

9



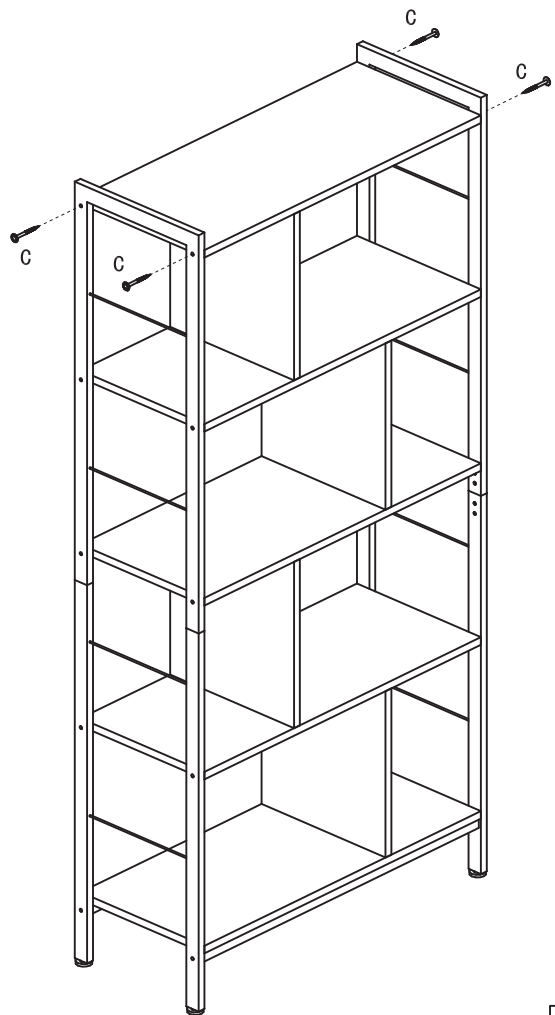
E X4

10



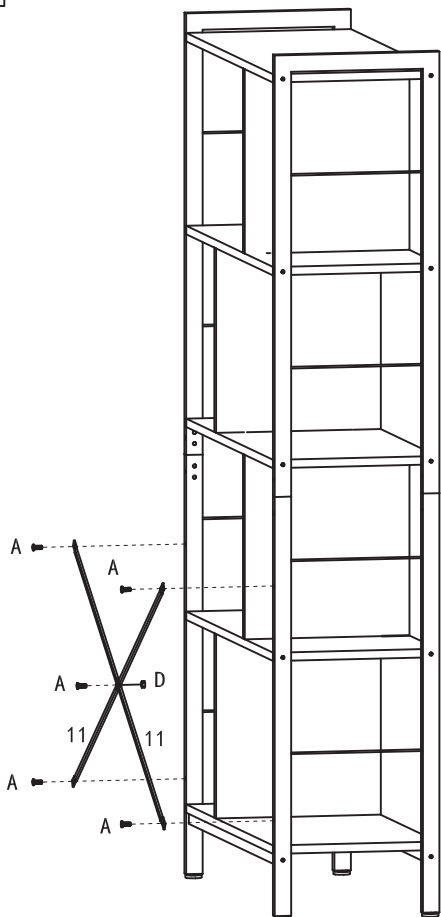
C	X4
E	X2

11



C	X4
---	----

12



A	X5
D	X1

