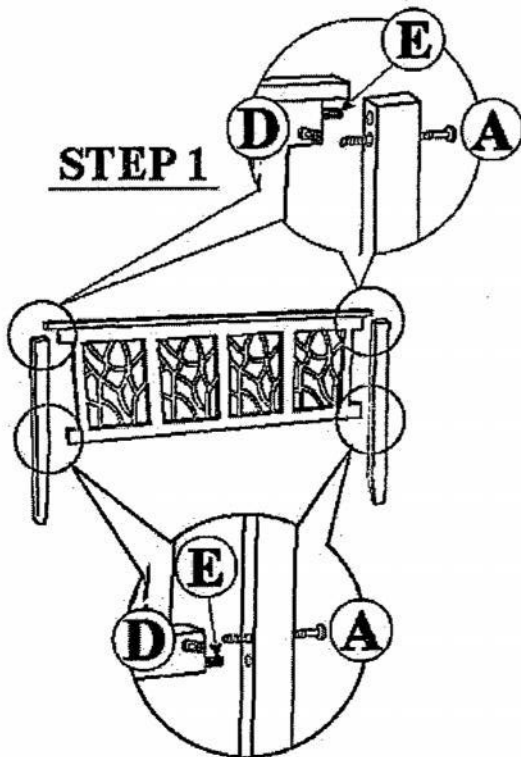


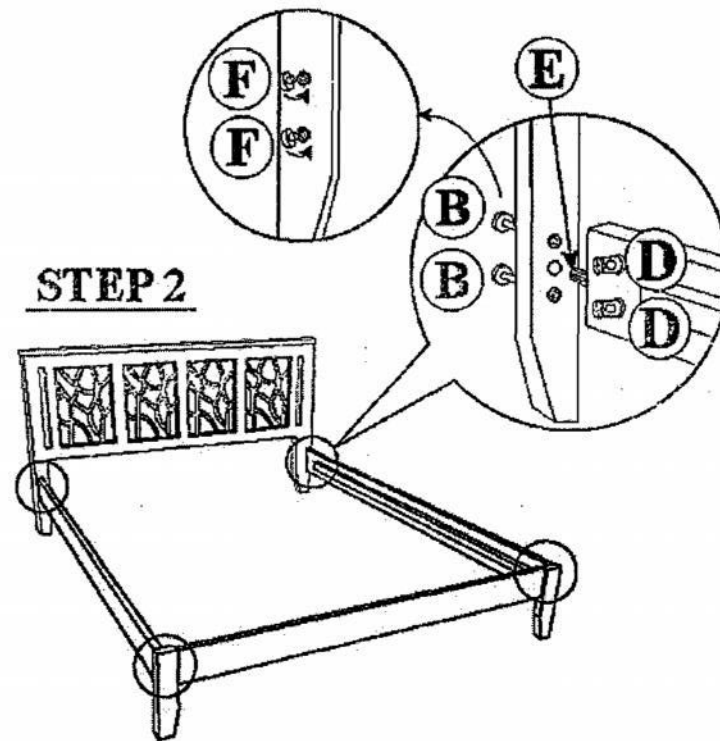
## FULLY SET UP









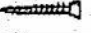
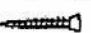


### STEP 1



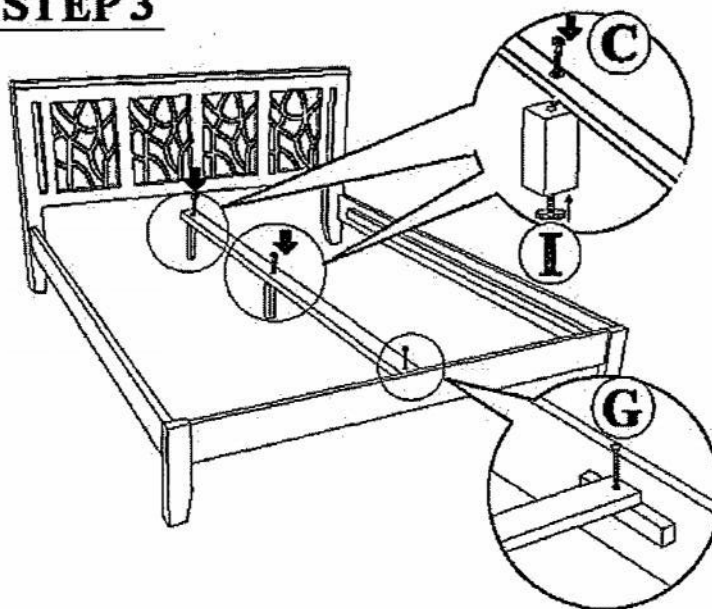
### STEP 2



## HARDWARE LIST

NO	DESCRIPTION	QTY
A	M5 x 100mm JCBC 	4pcs
B	M5 x 70mm JCBC 	8pcs
C	M5 x 50mm JCBC 	2pcs
D	BARREL NUT 	12pcs
E	Ø3 x 35mm WOOD DOWEL 	8pcs
F	WOODEN PLUG 	12pcs
G	M4 X 25mm SCREW (Q / K) 	33pcs
	M4 X 25mm SCREW (D) 	31pcs
H	ALLEN KEY 	1pcs
I	ADJUSTER 	3pcs

### STEP 3



### STEP 4

