

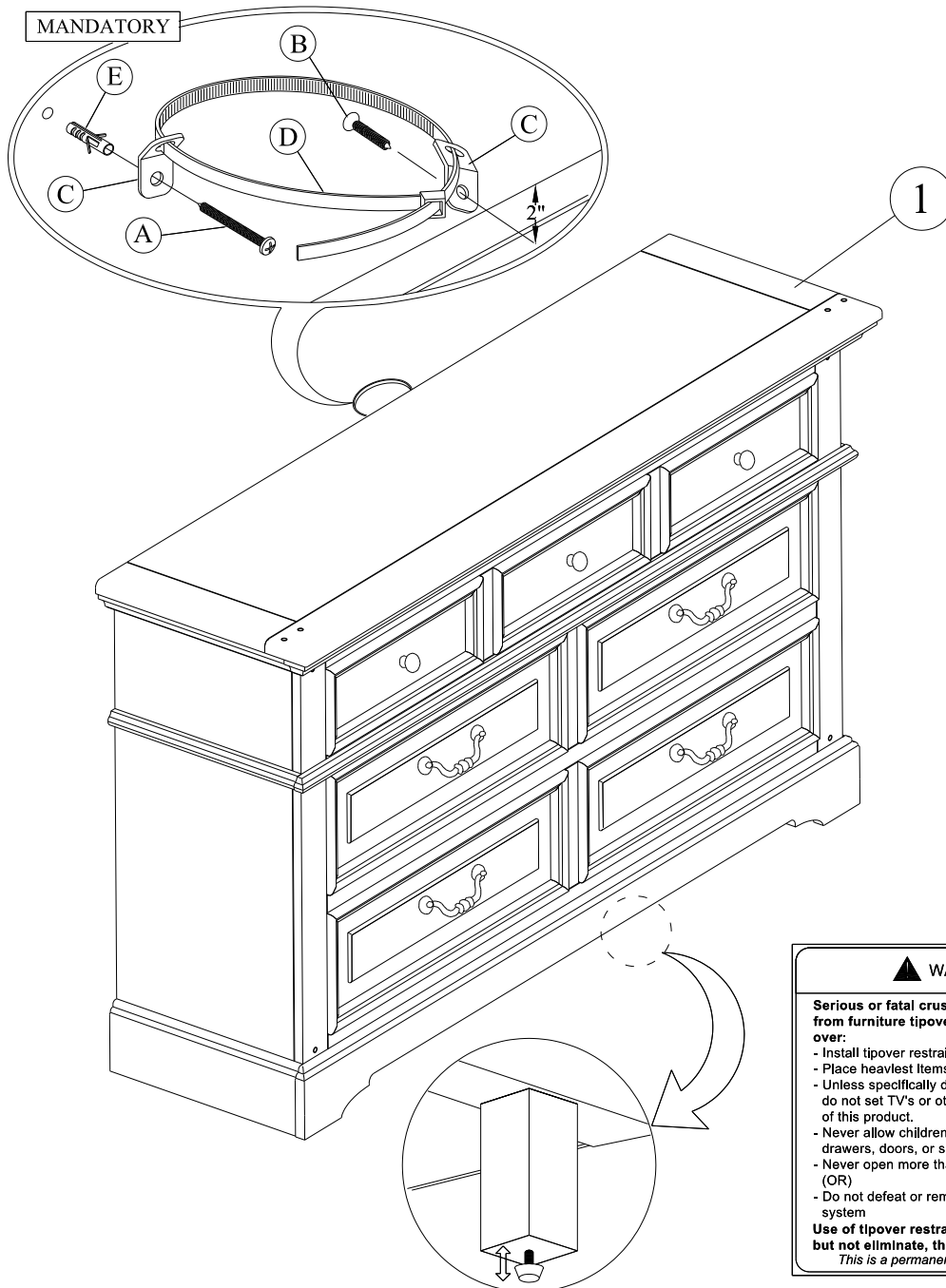
ASSEMBLY INSTRUCTION

DOUBLE DRESSER

BEFORE YOU START ASSEMBLING ,
PLEASE MAKE SURE ALL PARTS & HARDWARE ARE INCLUDE IN BOX :

NO	PARTS	QTY
1	DOUBLE DRESSER	1 PC

NO	HARDWARE	QTY
A	SCREW Ø8 x 2"	1 PC
B	SCREW Ø8 x 5/8"	1 PC
C	BRACKET	2 PCS
D	RESTRAIN STRAP	1 PC
E	PLASTIC ANCHOR	1 PC



WARNING

Serious or fatal crushing injuries can occur from furniture tipover. To help prevent tipover:

- Install tipover restraint provided.
- Place heaviest items in the lowest drawers.
- Unless specifically designed to accommodate, do not set TV's or other heavy objects on top of this product.
- Never allow children to climb or hang on drawers, doors, or shelves.
- Never open more than one drawer at a time.

(OR)

- Do not defeat or remove the drawer interlock system

Use of tipover restraints may only reduce, but not eliminate, the risk of tipover.
This is a permanent label. Do not remove!

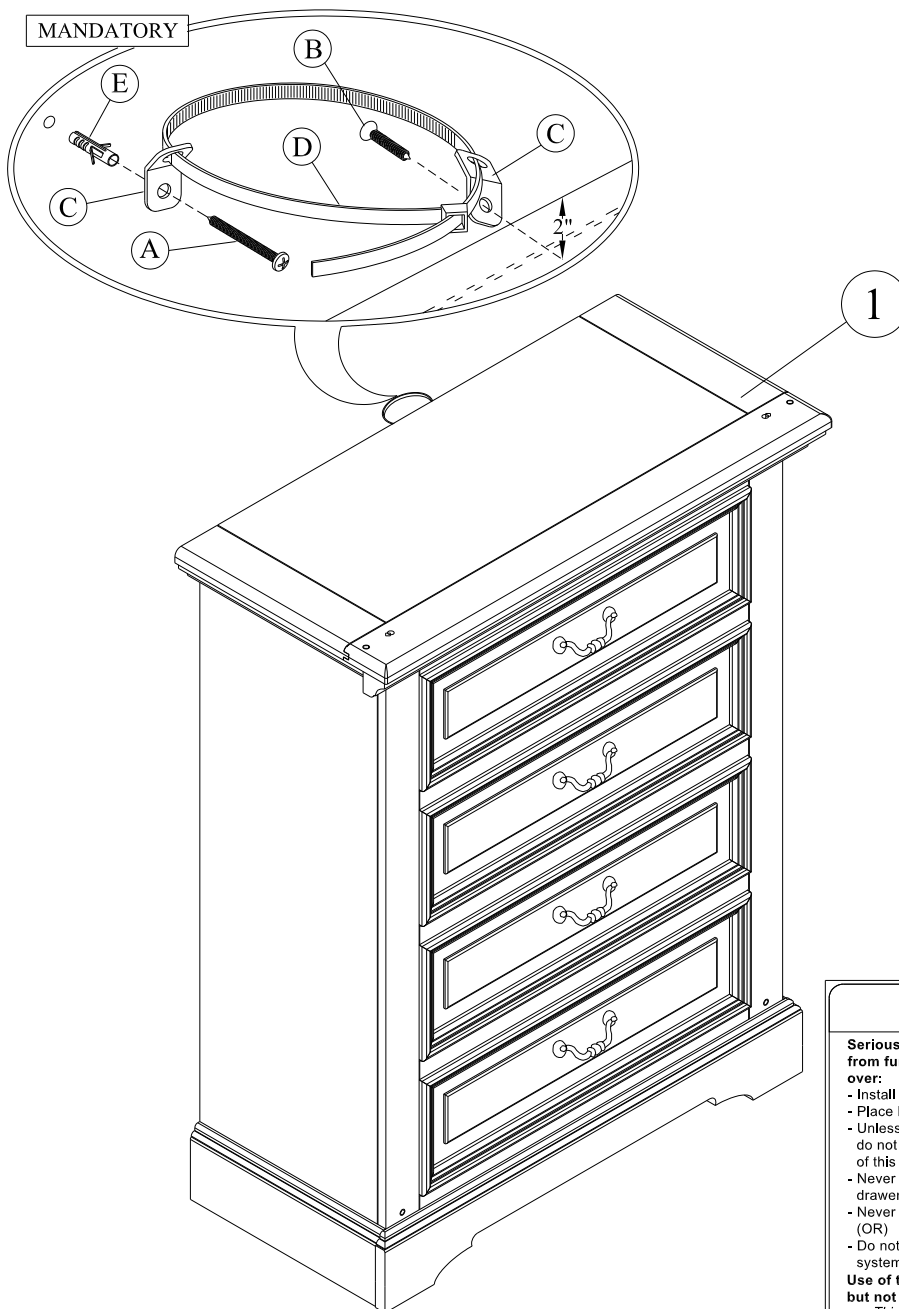
ASSEMBLY INSTRUCTION

DRAWER CHEST

BEFORE YOU START ASSEMBLING ,
PLEASE MAKE SURE ALL PARTS & HARDWARE ARE INCLUDE IN BOX :

NO	PARTS	QTY
1	4 DRAWER CHEST	1 PC

NO	HARDWARE	QTY
A	SCREW Ø8 x 2"	1 PC
B	SCREW Ø8 x 5/8"	1 PC
C	BRACKET	2 PCS
D	RESTRAIN STRAP	1 PC
E	PLASTIC ANCHOR	1 PC



WARNING

Serious or fatal crushing injuries can occur from furniture tipover. To help prevent tipover:

- Install tipover restraint provided.
- Place heaviest items in the lowest drawers.
- Unless specifically designed to accommodate, do not set TV's or other heavy objects on top of this product.
- Never allow children to climb or hang on drawers, doors, or shelves.
- Never open more than one drawer at a time.

(OR)

- Do not defeat or remove the drawer interlock system

Use of tipover restraints may only reduce, but not eliminate, the risk of tipover.
This is a permanent label. Do not remove!

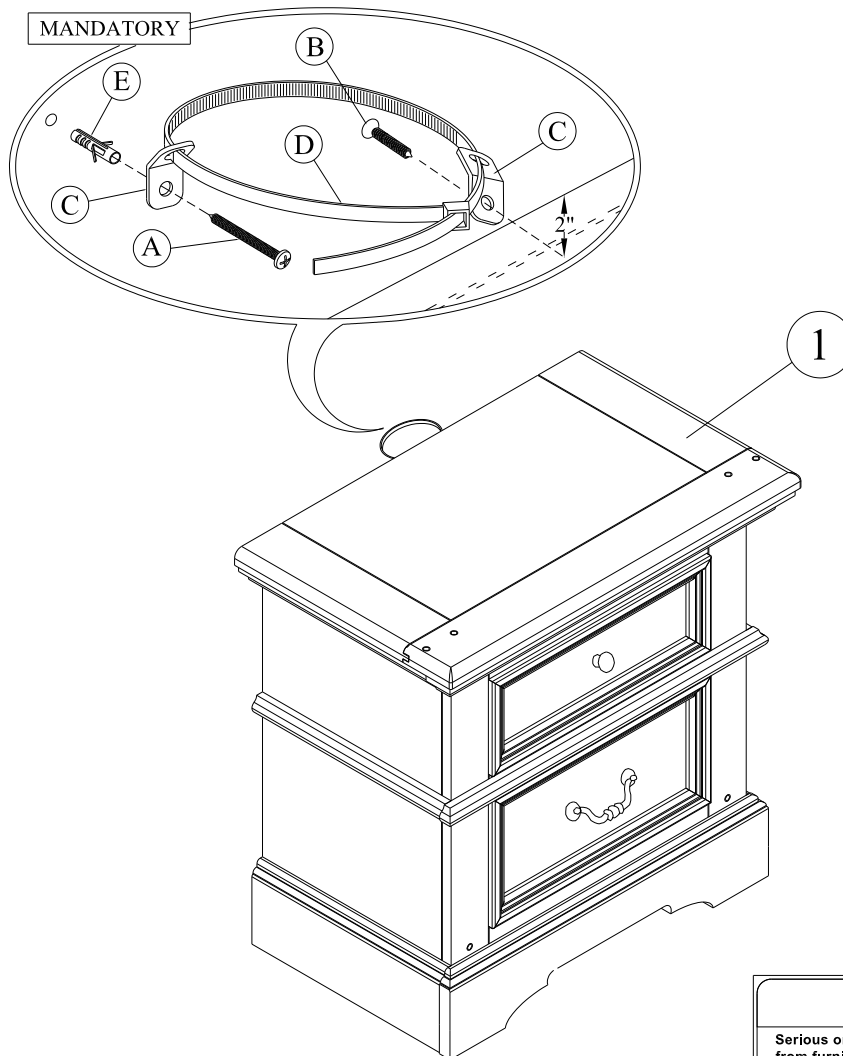
ASSEMBLY INSTRUCTION

SMALL NIGHT STAND

BEFORE YOU START ASSEMBLING ,
PLEASE MAKE SURE ALL PARTS & HARDWARE ARE INCLUDE IN BOX :

NO	PARTS	QTY
1	SMALL NIGHTSTAND	1 PC

NO	HARDWARE	QTY
A	SCREW Ø8 x 2"	1 PC
B	SCREW Ø8 x 5/8"	1 PC
C	BRACKET	2 PCS
D	RESTRAIN STRAP	1 PC
E	PLASTIC ANCHOR	1 PC



WARNING

Serious or fatal crushing injuries can occur from furniture tipover. To help prevent tipover:

- Install tipover restraint provided.
- Place heaviest items in the lowest drawers.
- Unless specifically designed to accommodate, do not set TV's or other heavy objects on top of this product.
- Never allow children to climb or hang on drawers, doors, or shelves.
- Never open more than one drawer at a time.

(OR)

- Do not defeat or remove the drawer interlock system

Use of tipover restraints may only reduce, but not eliminate, the risk of tipover.
This is a permanent label. Do not remove!

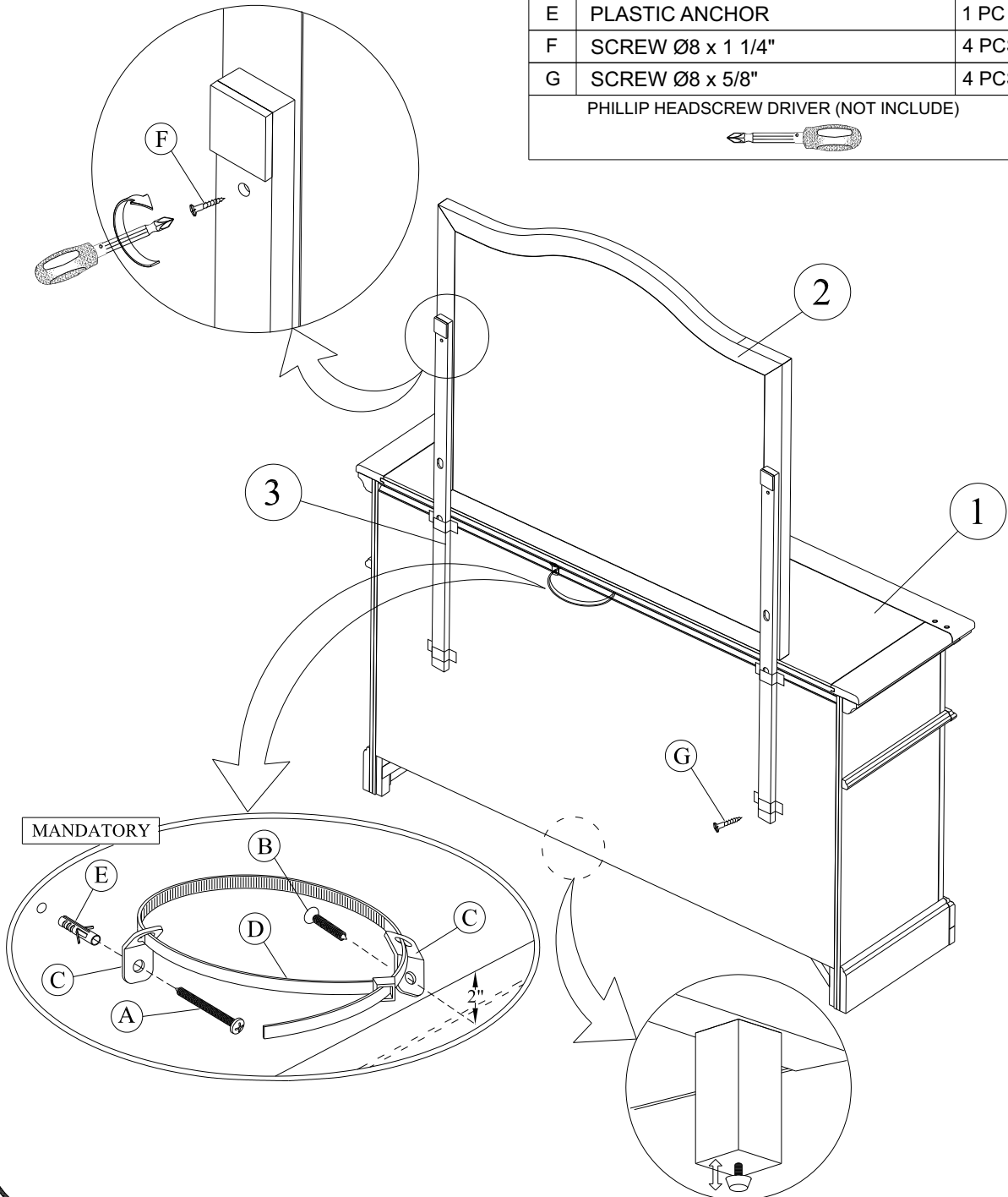
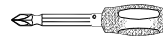
ASSEMBLY INSTRUCTION

DOUBLE DRESSER MIRROR

BEFORE YOU START ASSEMBLING ,
PLEASE MAKE SURE ALL PARTS & HARDWARE ARE INCLUDE IN BOX :

NO	PARTS	QTY
1	DOUBLE DRESSER	1 PC
2	MIRROR	1 PC
3	SUPPORT MIRROR	2 PCS

NO	HARDWARE	QTY
A	SCREW Ø8 x 2"	1 PC
B	SCREW Ø8 x 5/8"	1 PC
C	BRACKET	2 PCS
D	RESTRAIN STRAP	1 PC
E	PLASTIC ANCHOR	1 PC
F	SCREW Ø8 x 1 1/4"	4 PCS
G	SCREW Ø8 x 5/8"	4 PCS
PHILLIP HEADSCREW DRIVER (NOT INCLUDE)		



MANDATORY

