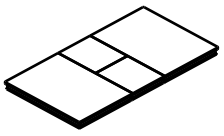
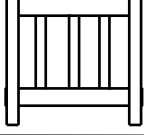





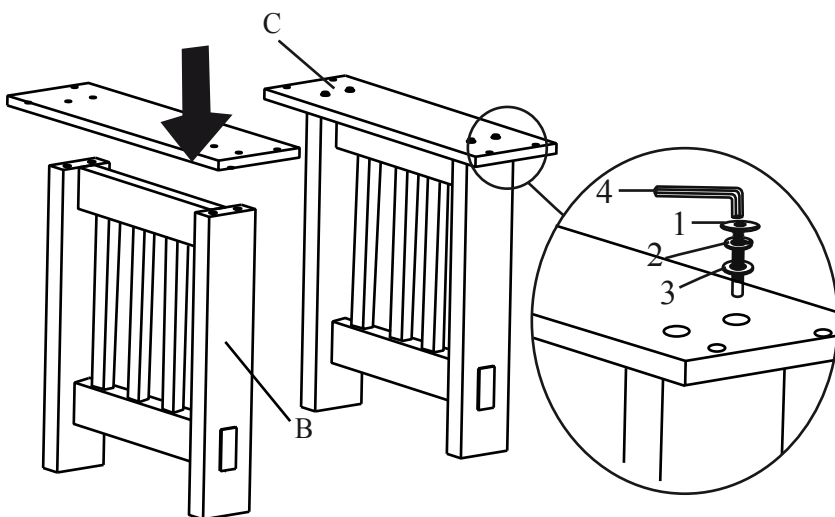


ASSEMBLY INSTRUCTION

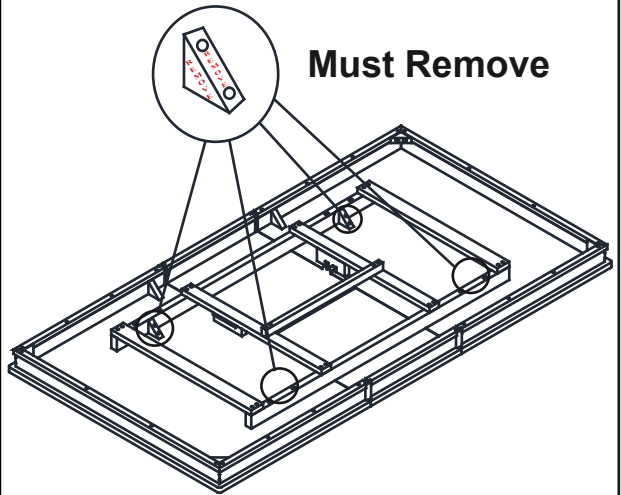
NO	PART LIST	Q'TY
A	 Table Top 1 Pc	1 Pc
B	 Trestle Base 2 Pcs	2 Pcs
C	 Mounting Plate 2 Pcs	2 Pcs

No	Hardware List	Qty
1	 M8X40mm JCBB Bolt 16 pcs	16 pcs
2	 5/16\"(M8)x13.5x1.8mm Lock Washer 16 pcs	16 pcs
3	 M8.5X18.5X1.8MM Flat Washer 16 pcs	16 pcs
4	 M5 X 2 1/2\" Allen Key 1pce	1pce

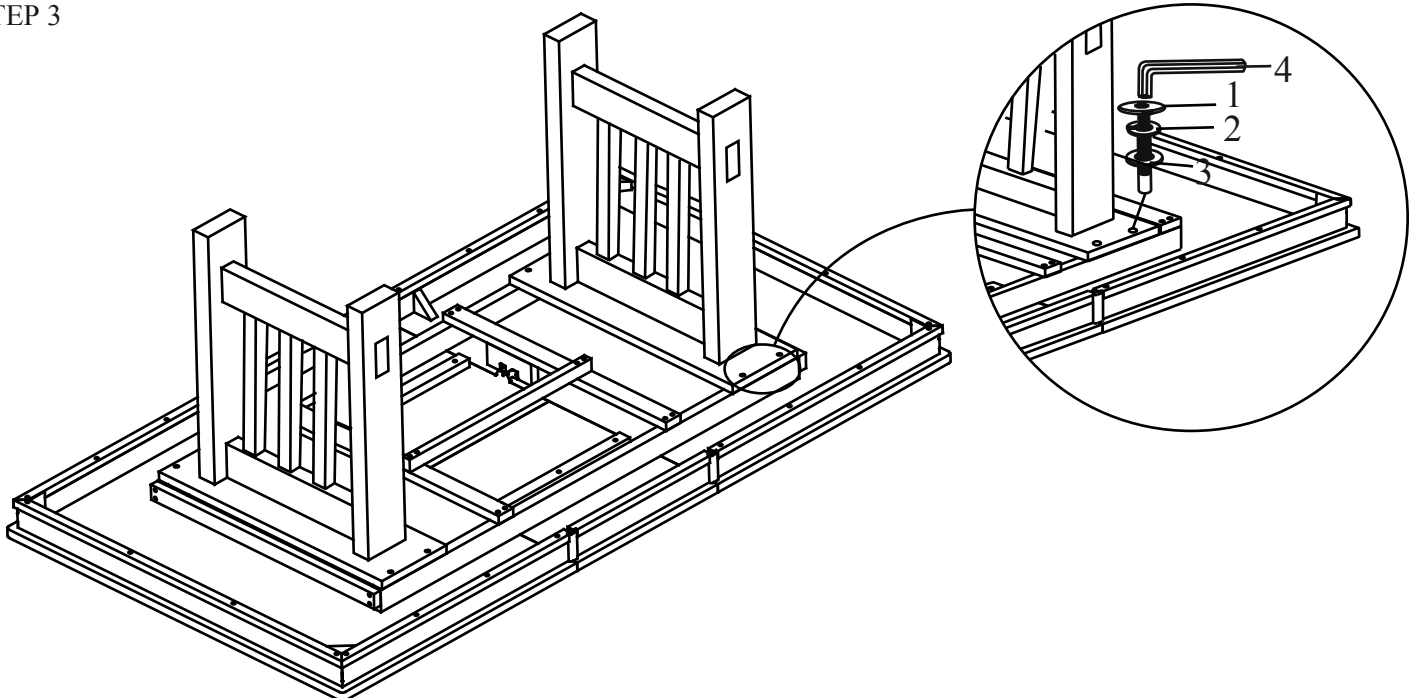
STEP 1



STEP 2

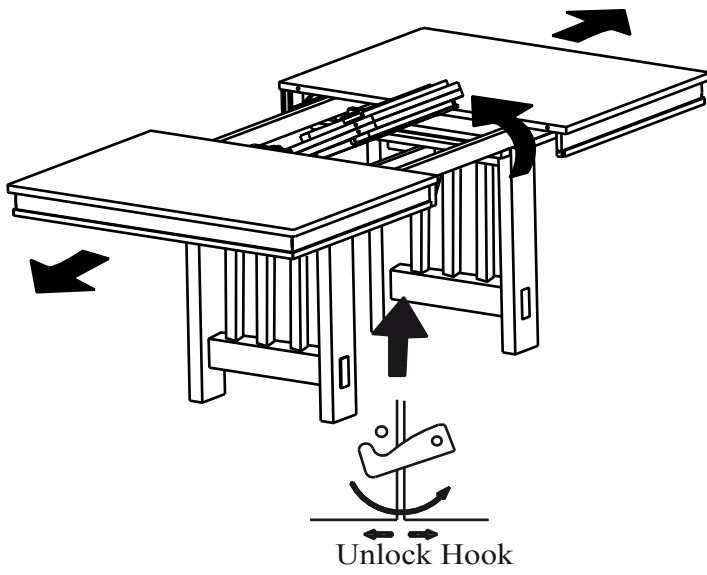


STEP 3

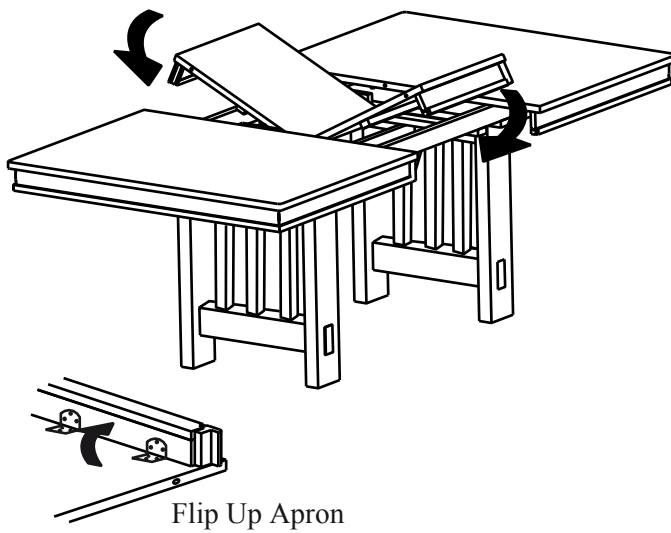


ASSEMBLY INSTRUCTION

STEP 4



STEP 5



STEP 6

