



# Barn Door Hardware 23Z

## Installation Manual

### ✳️Check the Quantities

**Note:** If you encounter any problem with the package and the following installation, please email us at [info@zekoohardware.com](mailto:info@zekoohardware.com). Please also tell us your “**ORDER ID**,” we will solve any issues for you as soon as possible.

### 2 Doors Bypass Hardware Kit Includes

Part Name	picture	4FT	5FT	6FT	6.6FT	7.5FT	8FT	9FT	10FT	11FT	12FT	13FT	14FT	15FT	16FT	17FT	18FT
Flat Track		2	4	4	4	4	4	4	6	6	6	6	6	8	8	8	8
Steel Hanger		4	4	4	4	4	4	4	4	4	4	4	4	4	4	4	4
Anti-jump Pad		4	4	4	4	4	4	4	4	4	4	4	4	4	4	4	4
Floor guide		2	2	2	2	2	2	2	2	2	2	2	2	2	2	2	2
Door Stopper		4	4	4	4	4	4	4	4	4	4	4	4	4	4	4	4
Lag Screws		3	4	5	5	6	6	6	8	8	9	9	10	12	12	12	14
Spacer		3	4	5	5	6	6	6	8	8	9	9	10	12	12	12	14
Junction Plate		0	2	0	0	2	2	2	4	4	4	4	4	6	6	6	6
Bypass Bracket Suit		3	4	5	5	6	6	6	8	8	9	9	10	12	12	12	14

### 4 Doors Bypass Hardware Kit Includes

Part Name	picture	4FT	5FT	6FT	6.6FT	7.5FT	8FT	9FT	10FT	11FT	12FT	13FT	14FT	15FT	16FT	17FT	18FT
Flat Track		2	4	4	4	4	4	4	6	6	6	6	6	8	8	8	8
Steel Hanger		8	8	8	8	8	8	8	8	8	8	8	8	8	8	8	8
Anti-jump Pad		8	8	8	8	8	8	8	8	8	8	8	8	8	8	8	8
Floor guide		4	4	4	4	4	4	4	4	4	4	4	4	4	4	4	4
Door Stopper		8	8	8	8	8	8	8	8	8	8	8	8	8	8	8	8
Lag Screws		3	4	5	5	6	6	6	8	8	9	9	10	12	12	12	14
Spacer		3	4	5	5	6	6	6	8	8	9	9	10	12	12	12	14
Junction Plate		0	2	0	0	2	2	2	4	4	4	4	4	6	6	6	6
Bypass Bracket Suit		3	4	5	5	6	6	6	8	8	9	9	10	12	12	12	14

### ● Installation Tools



Ruler



Pencil



Drill



Level



Wrench

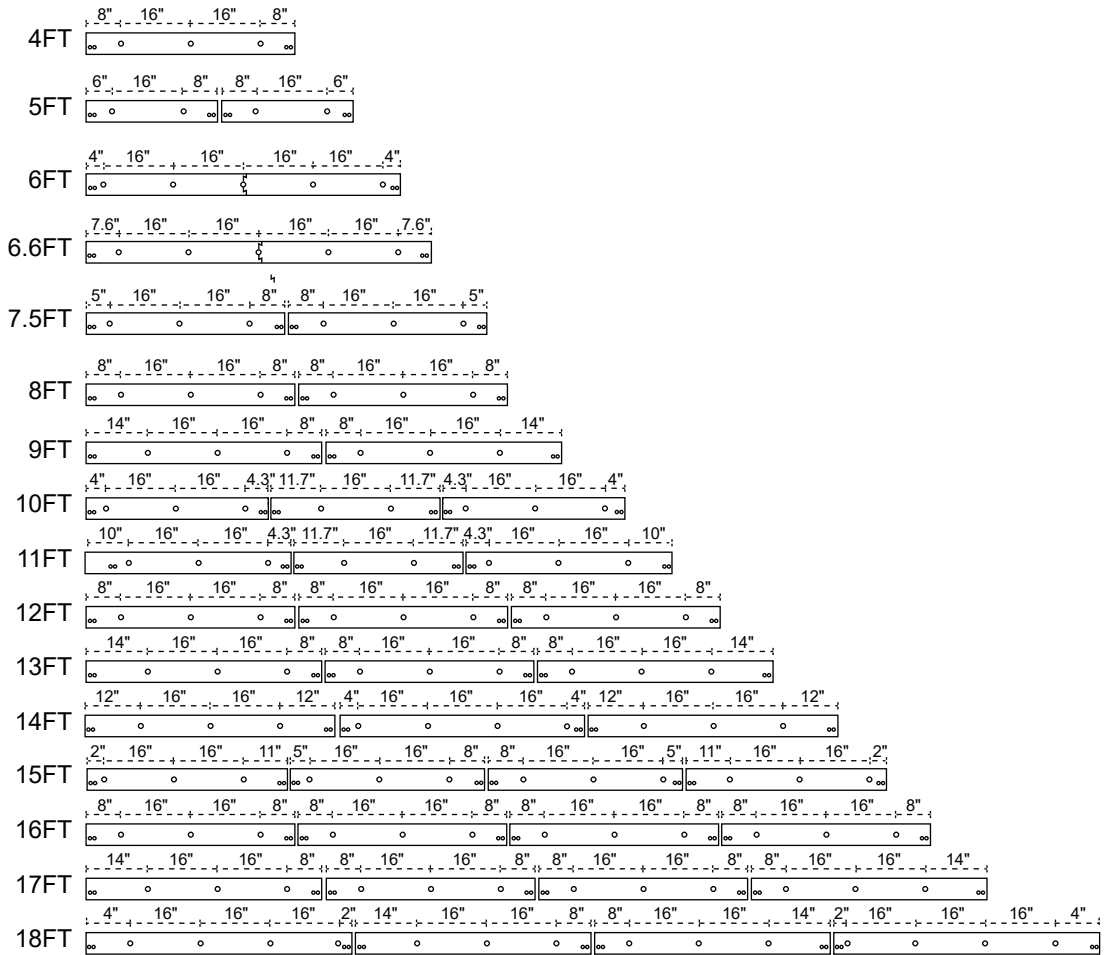


Ratchet



Router

# ※Chart: Track Junction



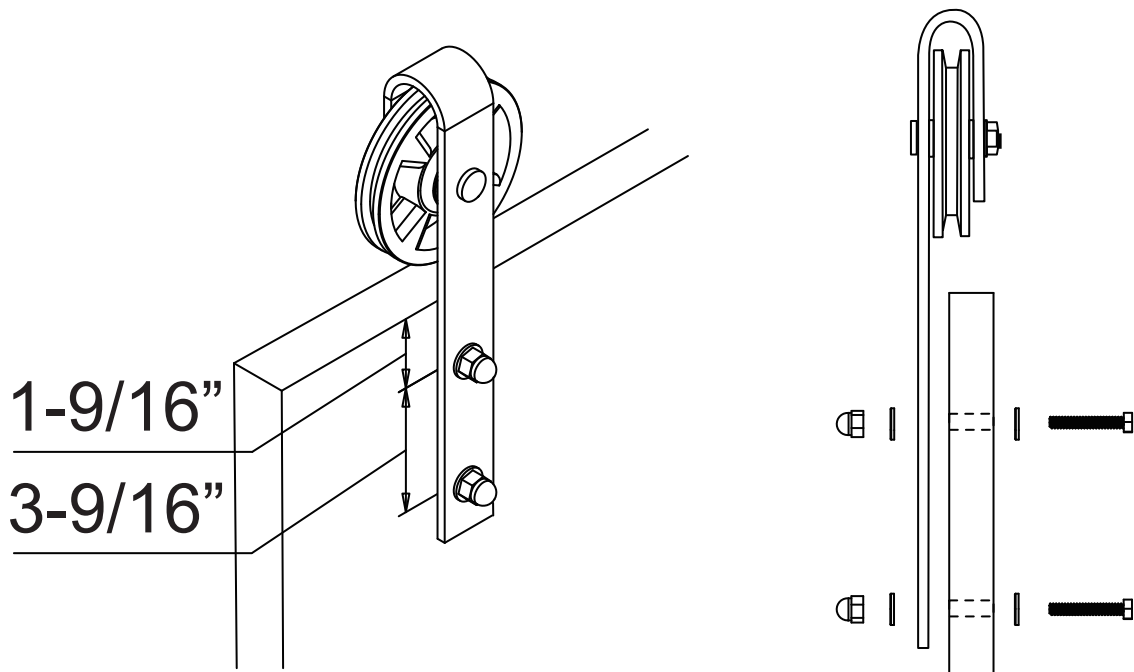
## Prepare Your Doors

### ※Hardware Installation

#### Step 1: Attach Steel Hangers to Your Doors

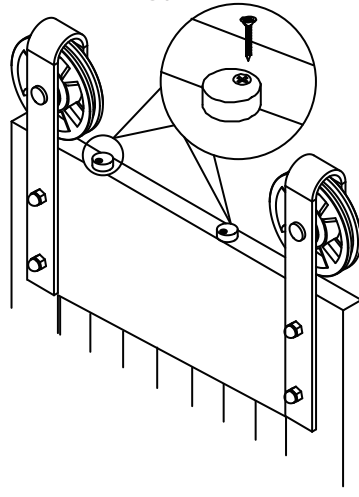
a. Drill 7/16" holes at the distances from the top of the doors shown in the above chart. **Note:** The Hanger Bolts are inserted through the back of the door (i.e. the Hanger and Acorn Nuts attach to the front face of the door).

b. Attach Hangers with the Hanger Bolts, Washers and Acorn Nuts as shown below.



## Step 2: Install anti-jump pad

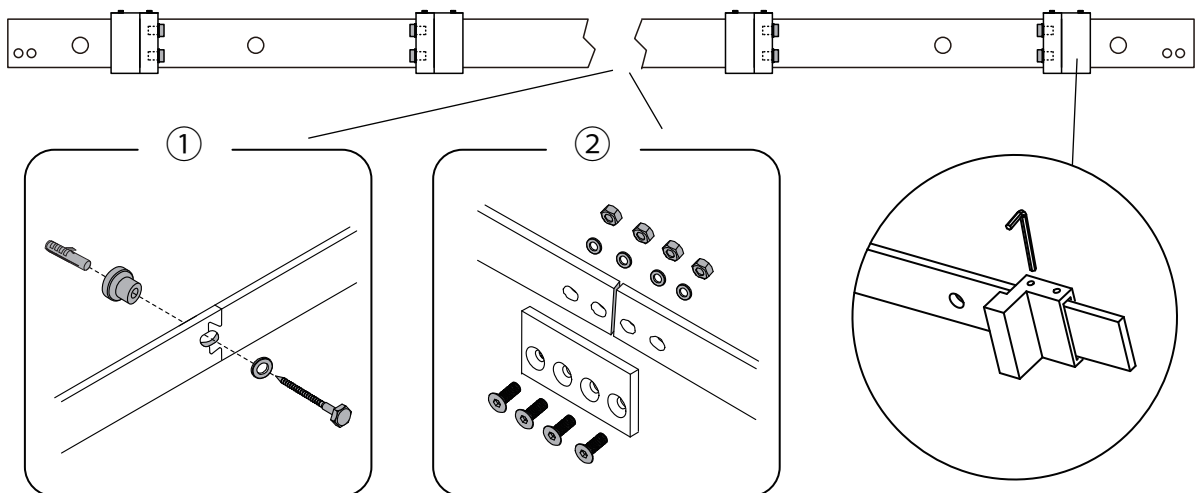
As shown in the illustration, the screw is near the front edge of your door (recommended: drill pilot hole to avoid splitting). Do not over tighten.



## Prepare and Install the Tracks

### Step 3: Connect Tracks And Install Door Stoppers

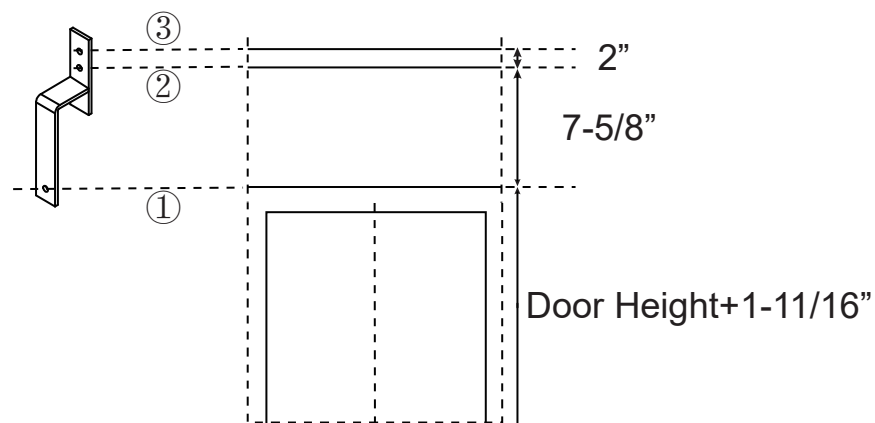
- Connect your tracks with junction plates if needed.
- Loosely install the Door Stoppers near each end of the track (final positioning will be determined at the end of the installation (Step 10)).



✘ There are 2 ways to the connection according to the length

### Step 4: Draw 3 Lines for the Track and Brackets

- Using a level, draw line ① for the Track, at the **door height + 1-11/16"** above the floor.
- Pencil lines ② and ③ for the Bracket above line ① as shown in the illustrations below.



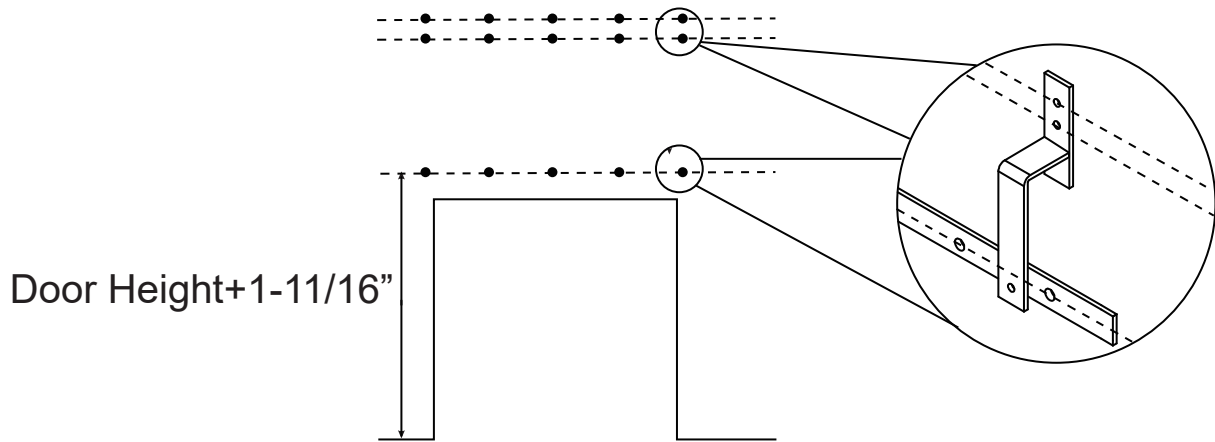
### Step 5: Mark and Drill Track Holes

a. Line up a Track on lowest line and mark the location of the holes. Note: holes are 16" apart, line up with wall studs if possible.

b. Use level to mark the hole locations directly above the original marks on the upper two lines. (Tip: Take care to make the upper two marks parallel to each other so Hangers hang straight.)

c. Concrete wall: Drill holes by using a 3/8" concrete drill bit.

d. Wood framed wall: Drill out the holes by using a drill with 1/4" drill bit.







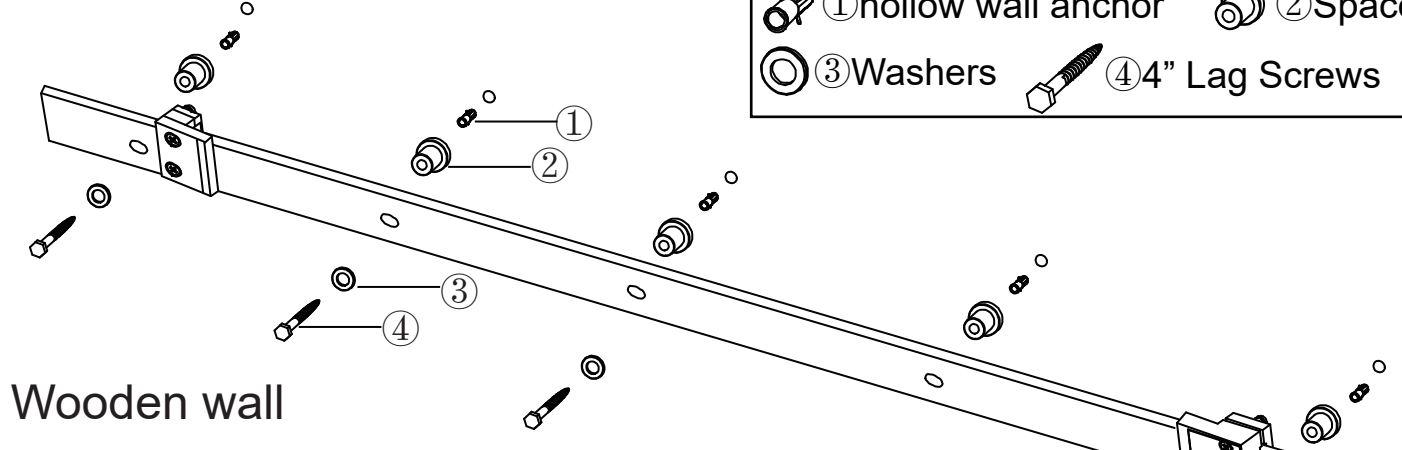
### Step 6: Install The Inside Track

Using the Spacers, Long Lag Screws, and Washers (and hollow wall anchor if necessary), attach the Track to the wall as shown in the illustration below.

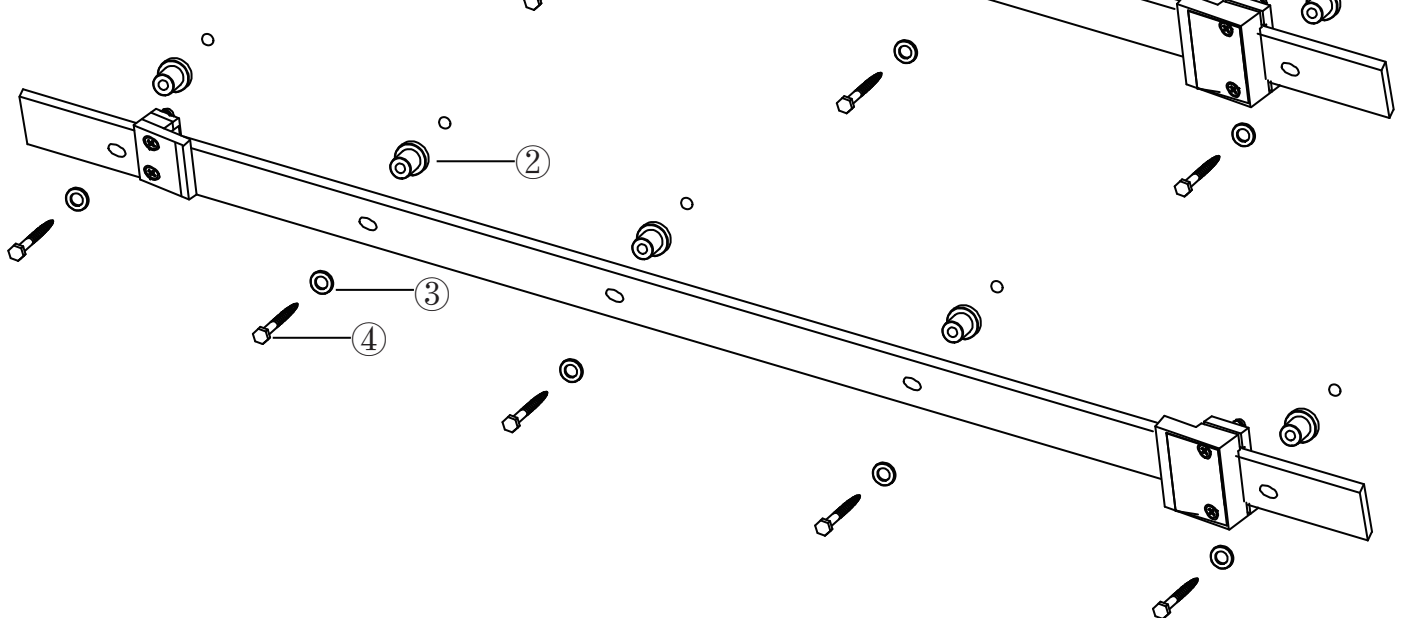
**Tip:** Loosely attach one end of the Track with the other end resting on the ground. Then swing track up and attach other end. Finally, fill in the middle holes.

#### Concrete wall

	① hollow wall anchor		② Spacer
	③ Washers		④ 4" Lag Screws






#### Wooden wall

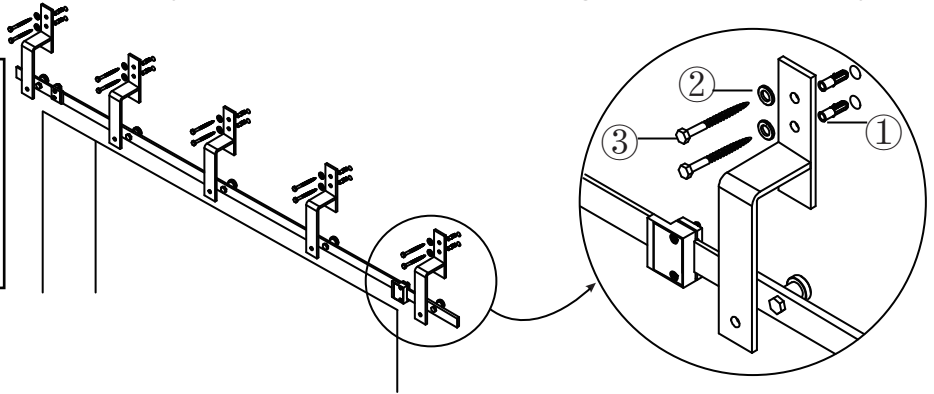


### Step 7: Attach Brackets to the Wall

a. Loosely attach each bracket to the wall with Short Lag Screws and washers (and hollow wall anchors if needed).

b. Fully tighten all Lag Screws with your ratchet. Don't overtighten screws as you may strip the studs or anchors.

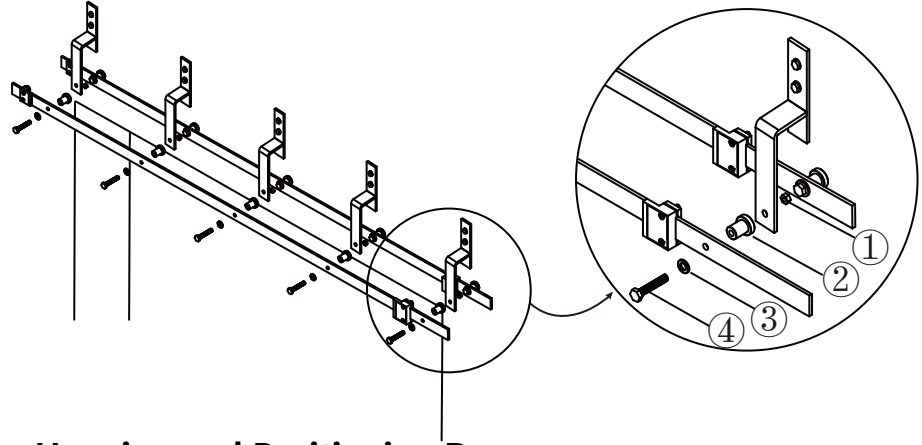
-  ① hollow wall anchor
-  ② Washers
-  ③ 2-9/16" Lag Screws



### Step 8: Install the Outside Track

Using the spacers, Track Bolts, Washers and Nuts attach the outside Track to the Bypass Bracket as shown in the illustrations below.

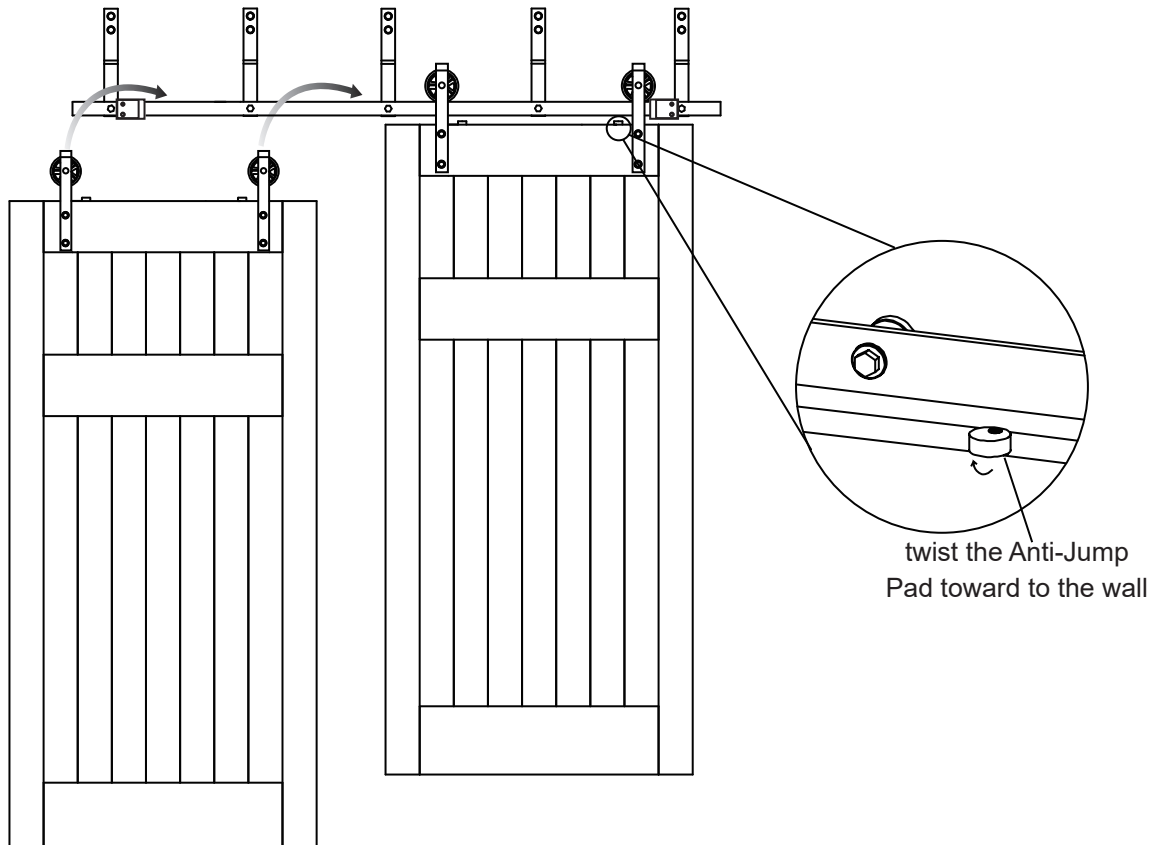
-  ① Nuts
-  ② Spacer
-  ③ Washers
-  ④ track bolt



### Hanging and Positioning Doors

### Step 9: Install Your Doors

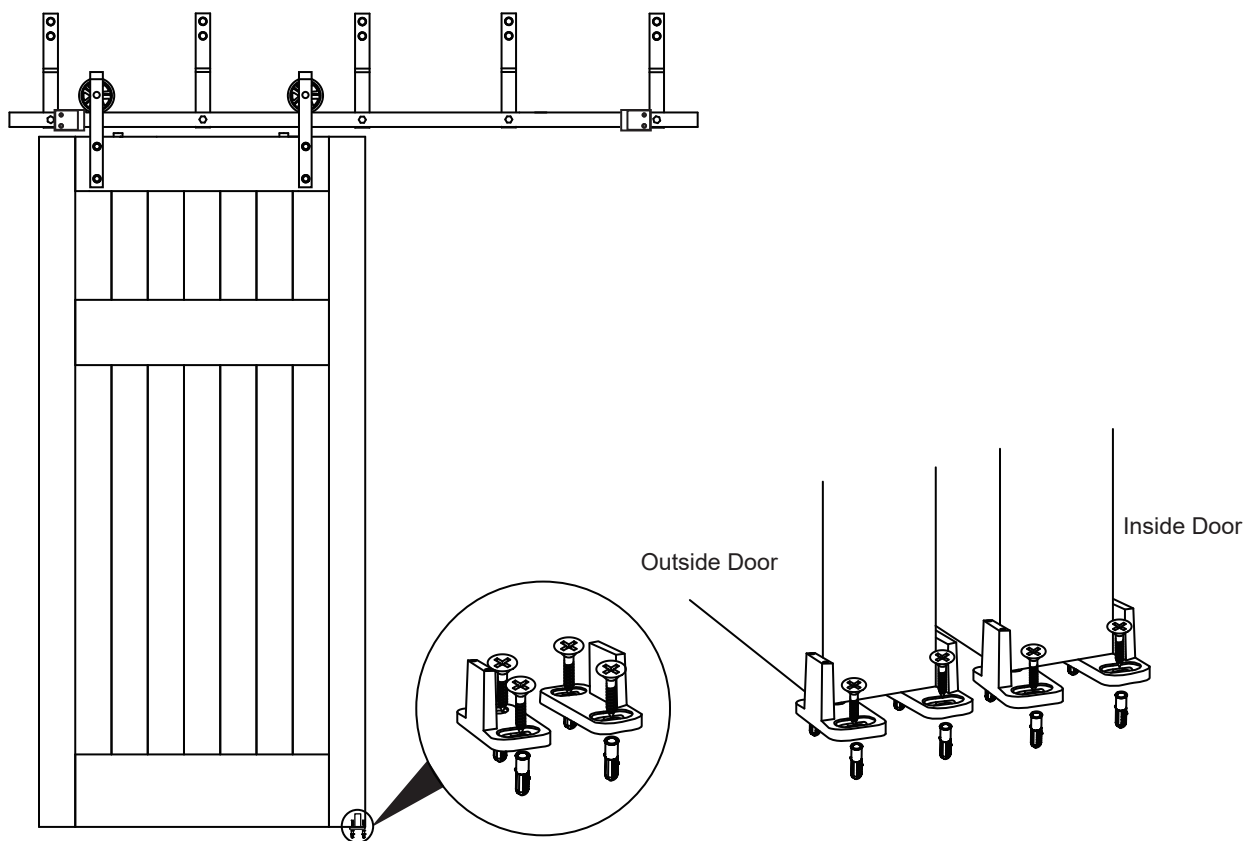
Lift and hang your doors on the Track, and then twist the Anti-Jump Pad toward the wall so that it is under the Track.



## Step 10: Install the Floor Guide

a. Position the door at your desired open position, put half of the floor guide under the door, mark the location, and then fix guide to the floor.

b. Position doors in your desired open and closed position and adjust Door Stoppers.



### WARNING

- Failure to wear proper safety gear (i.e., eye protection) may result in serious injury or death. Always wear proper safety gear before using power tools.
- Improper operation of power tools may result in loss of control, serious injury or death. Always ensure you have complete control of the power tool and the work area is free of hazards before operating a power tool.
- Lack of secure clamping of the door may result in unexpected movement of the door, loss of power tool control and serious injury or death. Always securely clamp the door in place before cutting, or drilling, the door.
- Lack of, or improperly installed Anti-jump Disc may result in the door coming off the track and cause serious injury or death. Installation of Anti-jump Discs are required for safe operation of this hardware. Installed properly, these discs will keep the door securely attached to the track.

### CAUTION

- Mishandling of heavy objects (i.e., doors) may cause a loss of balance and serious injury. Always be sure you have a secure hold on the object and are balanced before moving the object. Always wear safety shoes when lifting heavy objects.
- Getting body parts (i.e., hair, fingers) caught in moving parts may cause pinching and serious injury. Do not put fingers in parts that may move and always remove or contain anything on your body that may become entangled with a moving part.
- Closing sliding doors with your hand on the end of the door may result in your hand, or fingers, getting caught between the door and other solid objects (i.e., another door, molding) causing serious injury. Always use the door handle to close doors.

### Usage Statement:

Use of excessive force when opening, and closing, the door(s) may result in damage to the hardware. Always hold the handle and gently open and close the door(s).

### Warranty Statement:

5 year straight unconditional warranty service enables every single hardware's durability coverage during its life time.

[www.zekoohardware.com](http://www.zekoohardware.com)