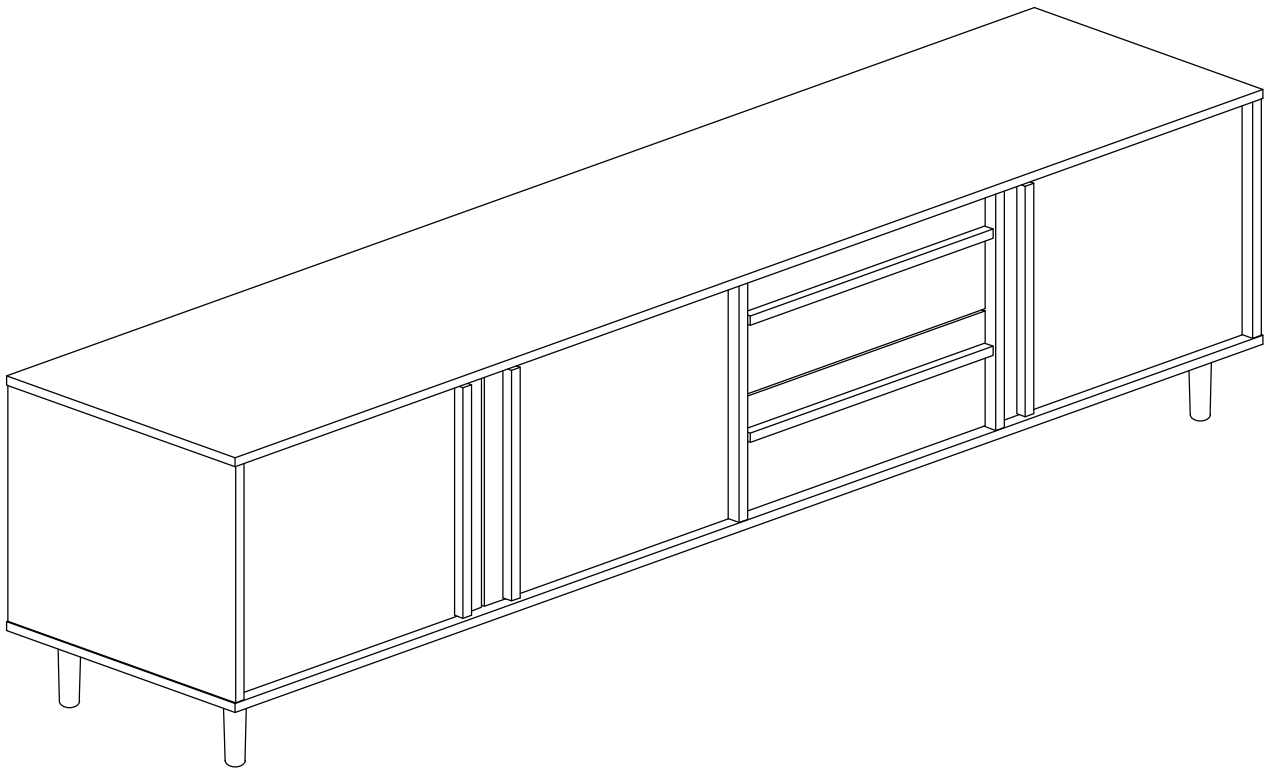


ASSEMBLY INSTRUCTIONS

TV Stand and Console



90 min. assembly
2 person

*The estimated assembly time may vary depending on the individual.

Hey, there

Now is assembly time!

Deeeeep breathe.... and again....
Tools ready,
Easy peasy!

Estimated



90 min. assembly
2 person

Tools Required

- Phillips screwdriver (not included)
- Power Drill (not included)
- Hammer (not included)

important: Cautious when you use power tools

Thank you for purchasing this product. This product has been manufactured with the highest standards of safety and quality.

PLEASE READ ALL INSTRUCTIONS CAREFULLY BEFORE ASSEMBLY.

Unpack all parts from the packaging inside the carton to ensure there are no missing or damaged parts. Lay out all the parts on a clean, flat, and soft surface to prevent scratches. Refer to the steps provided as an assembling guide.

Do not attempt to assemble or use the product if any parts are missing or damaged.

REMINDERS

SAFE USAGE IS KEY

Your well-being is our top priority when you use our product. Please prioritize your safety by diligently following the assembly guidelines and inspecting the product carefully both when it arrives and before each use.

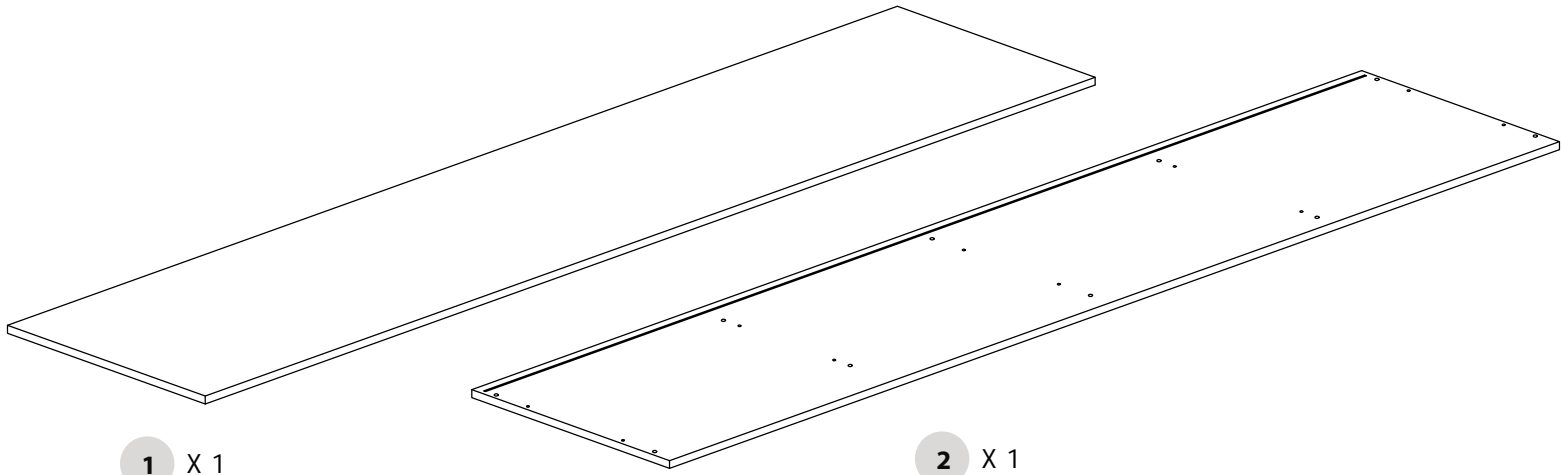
Please be aware that we cannot be held liable for any injuries or fatalities that occur due to not adhering to the provided instructions or misuse of the product.

DO NOT MODIFY

Our products undergo rigorous testing to ensure they meet established safety standards before being released for sale. Altering the product in any way can lead to serious safety concerns, for which we cannot assume responsibility.

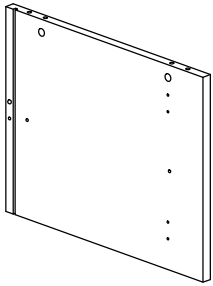
What's in the box

Parts (1/2)

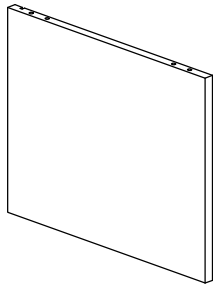


1 X 1
Top Panel

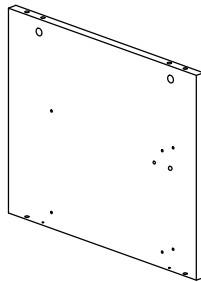
2 X 1
Bottom Panel



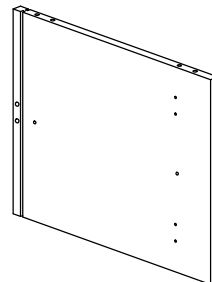
3 X 1
Side Panel-Right



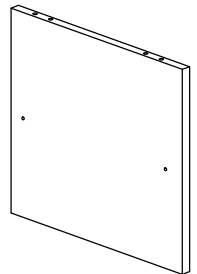
4 X 1
Side Panel-Left



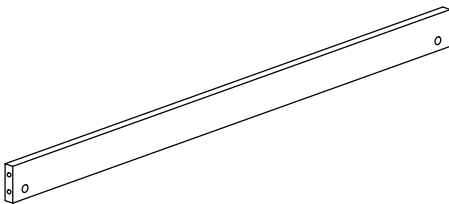
5 X 1
Stand Panel-Right



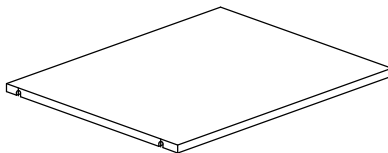
6 X 1
Stand Panel-Middle



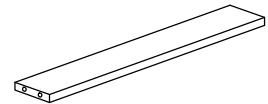
7 X 1
Stand Panel-Left



8 X 1
Strengthening
Panel-Right



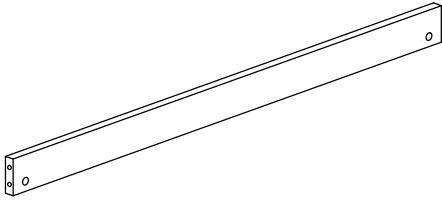
9 X 1
Adjustable Panel-
Right



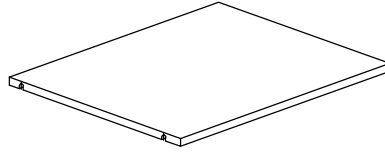
10 X 1
Support Rail

What's in the box

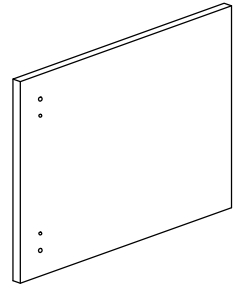
Parts (2/2)



11 X 1
Strengthening
Panel-Left



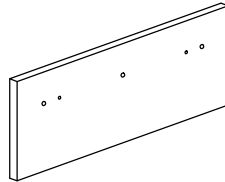
12 X 2
Adjustable
Panel-Left



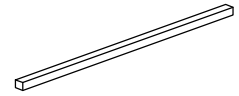
13 X 3
Door Panel



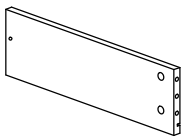
14 X 3
Door Handle



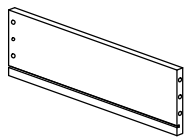
15 X 2
Drawer Front



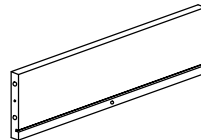
16 X 2
Drawer Handle



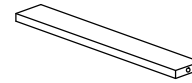
17 X 2
Drawer Side-Left



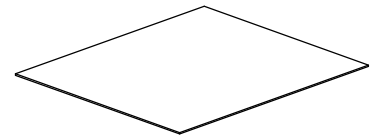
18 X 2
Drawer Side - Right



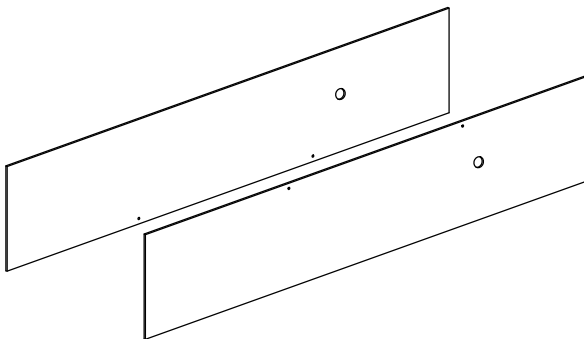
19 X 2
Drawer Back



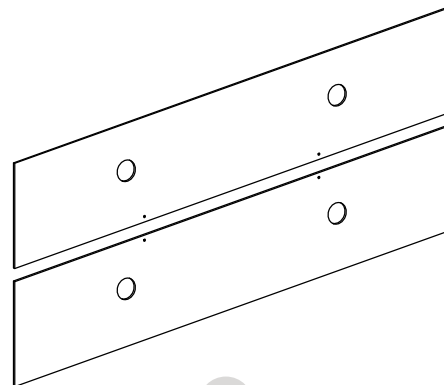
20 X 2
Drawer Support
Rail



21 X 2
Drawer Base



22 X 2
Back Panel with 1 hole



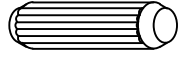
23 X 2
Back Panel with 2 holes

What's in the box

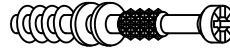
Hardware & Accessory



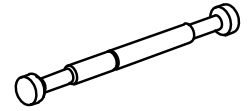
A X 12+2
M8 x 20mm
Wood Dowel



B X 38+4
M8 x 25mm
Wood Dowel



C X 24+4
33mm Myfix



D X 1
63mm Myfix



E X 26+4
Myfix



F X 20+4
M3.5 x 12mm
Screw



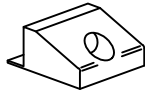
G X 88+4
M4 x 16mm
Screw



H X 10+2
M4 x 28mm
Screw



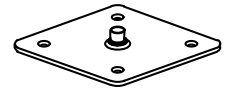
I X 16+3
M4 x 45mm
Screw



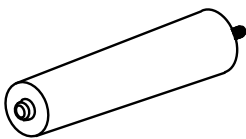
J X 16+3
Pyramid Angle
Corner Block



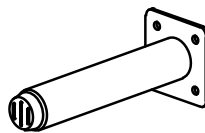
K X 12+2
Shelf Support



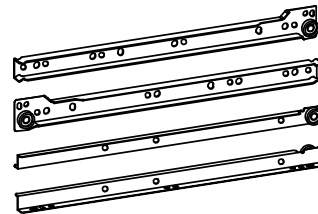
L X 4
Metal Support Leg
(63x63xM8)



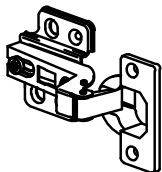
M X 4
Leg H125 x W38 x D38mm
M8 out 12mm- Natural 7487



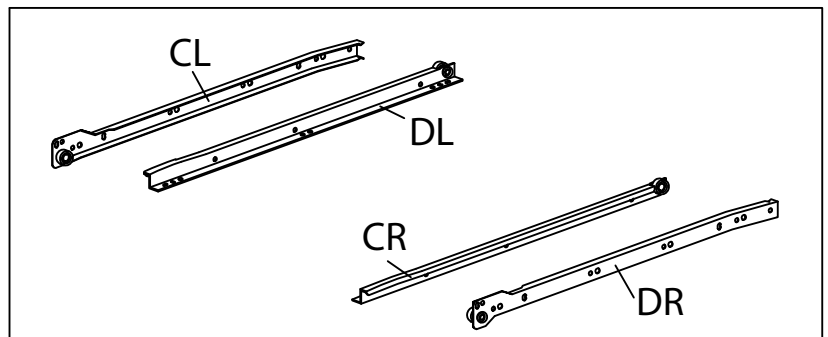
N X 2
Adjust Metal Leg
(115x19mm)



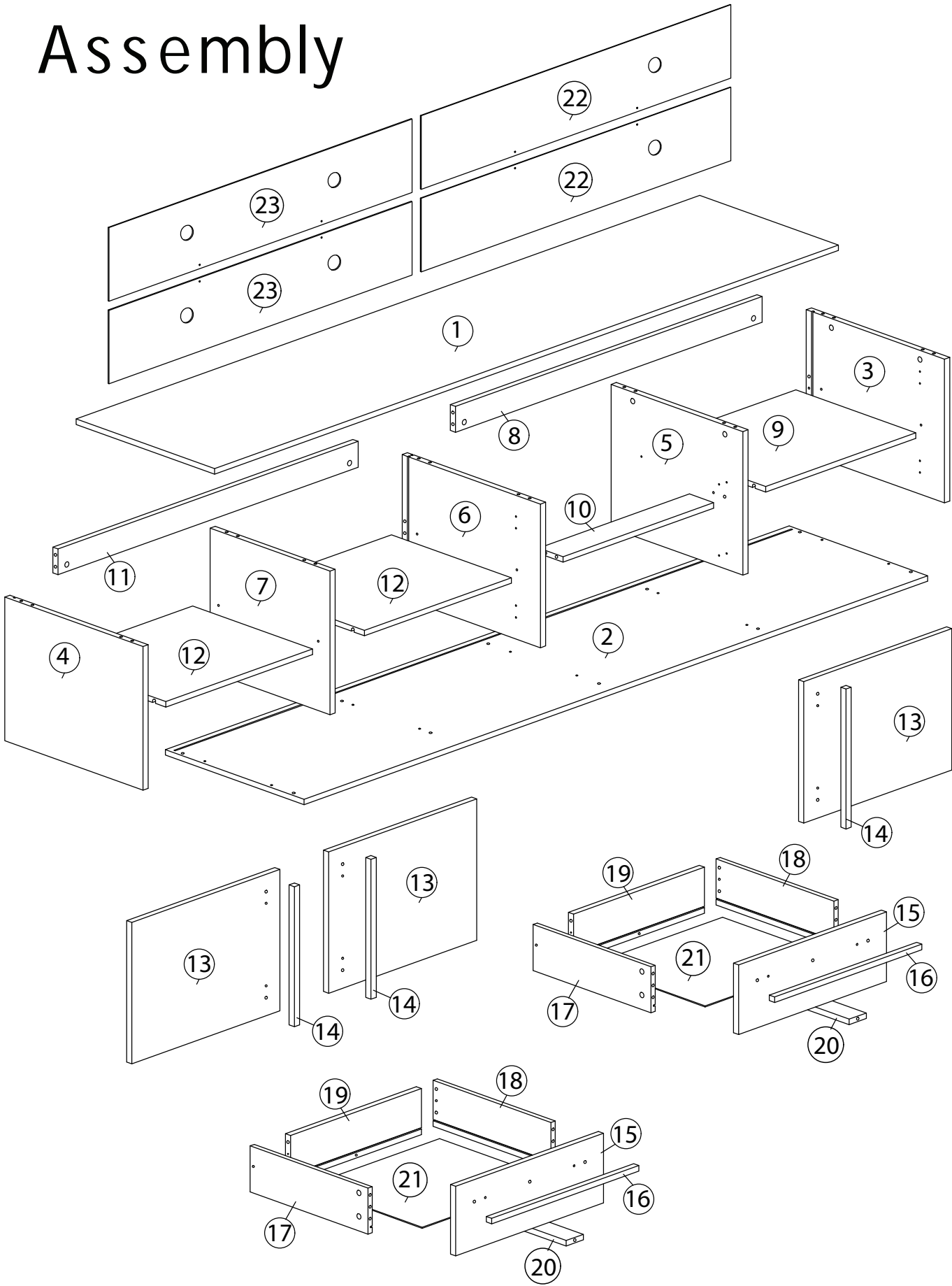
O X 2sets
Drawer Slide
300mm



P X 6
Hinges 7/8

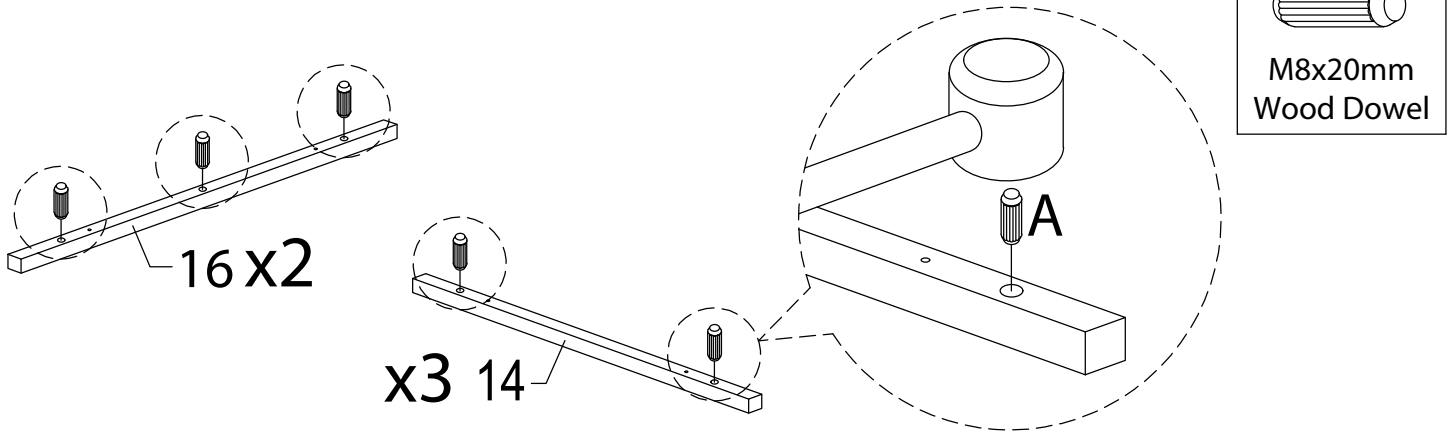


Assembly



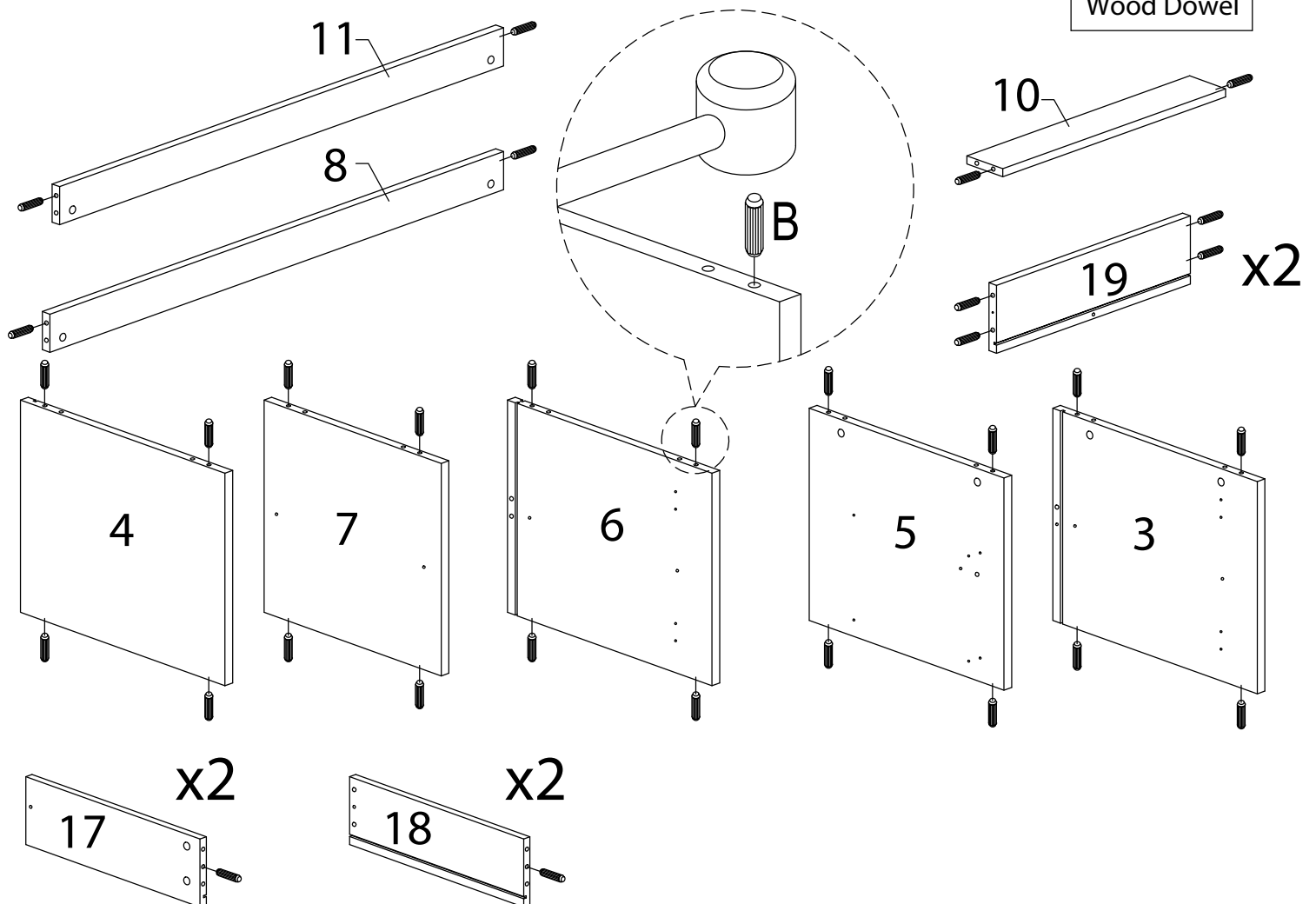
Step 1

Insert wood dowel (A) into non-thru holes of panel (14) & (16), as shown.



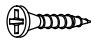
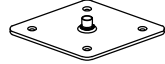
Step 2

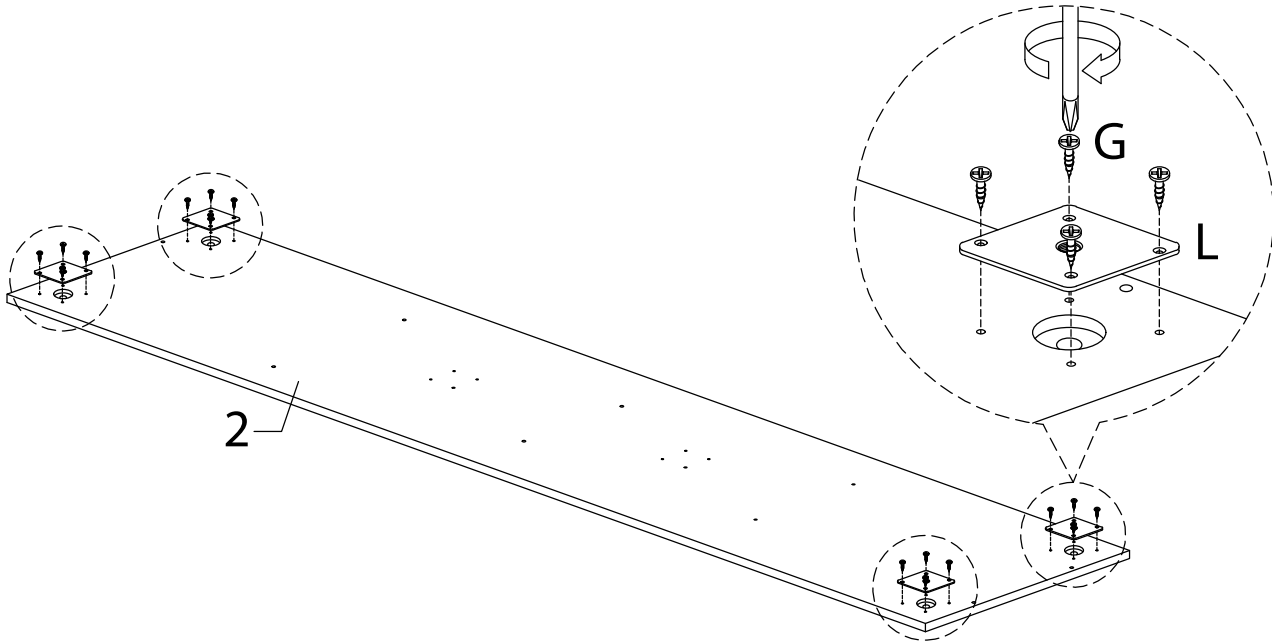
Insert wood dowel (B) into non-thru holes of panel (3, 4, 5, 6, 7, 8, 10, 11, 17, 18 & 19), as shown.



Step 3


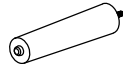
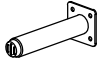
Install hardware (L) onto bottom of panel (2) with 4pcs of screw (G), as shown.

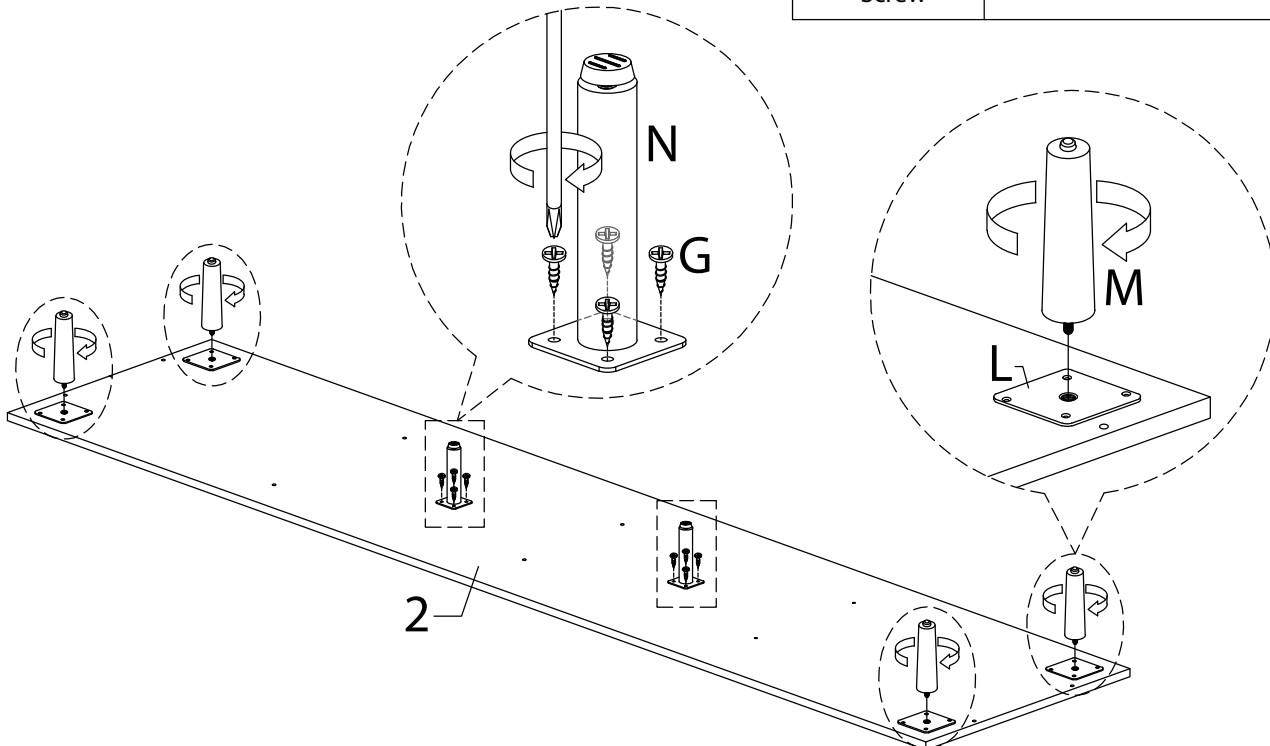
G x 16	L x 4
 M3.5x16mm Screw	 Metal Support Leg (63x63xM8)



Step 4

Install leg (N) onto bottom of panel (2) with 4pcs of screw (G)
Install leg (M), as shown.

G x 8	M x 4	N x 2
 M3.5x16mm Screw	 Leg H125xW38 x D38mm M8 out 12mm-Natural 7487	 Adjust Metal Leg 115x19mm



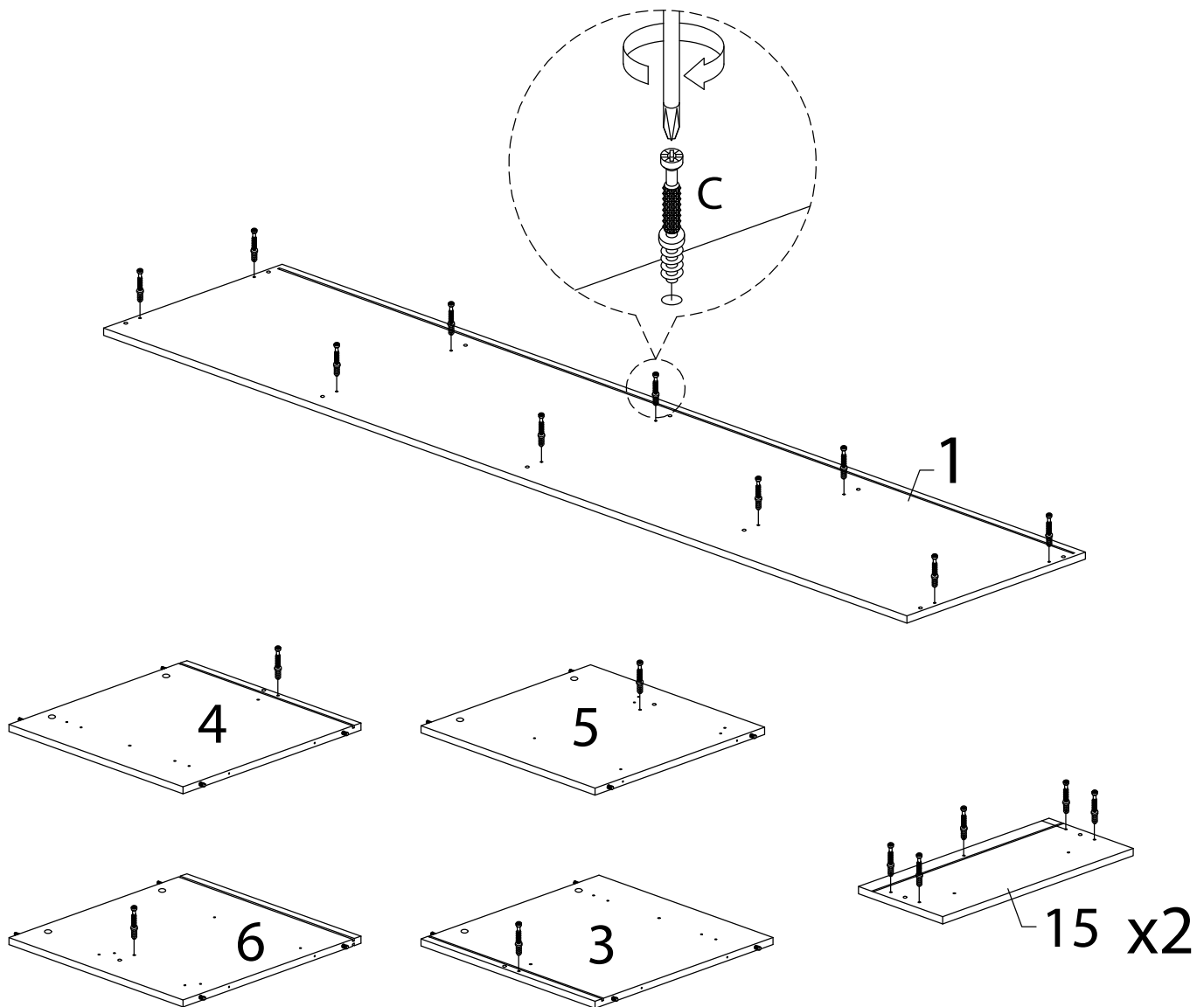
Step 5

Insert Myfix (C) into the non-thru holes of the panel (1, 3, 4, 5, 6 & 15), s shown.

C x 24






33mm Myfix

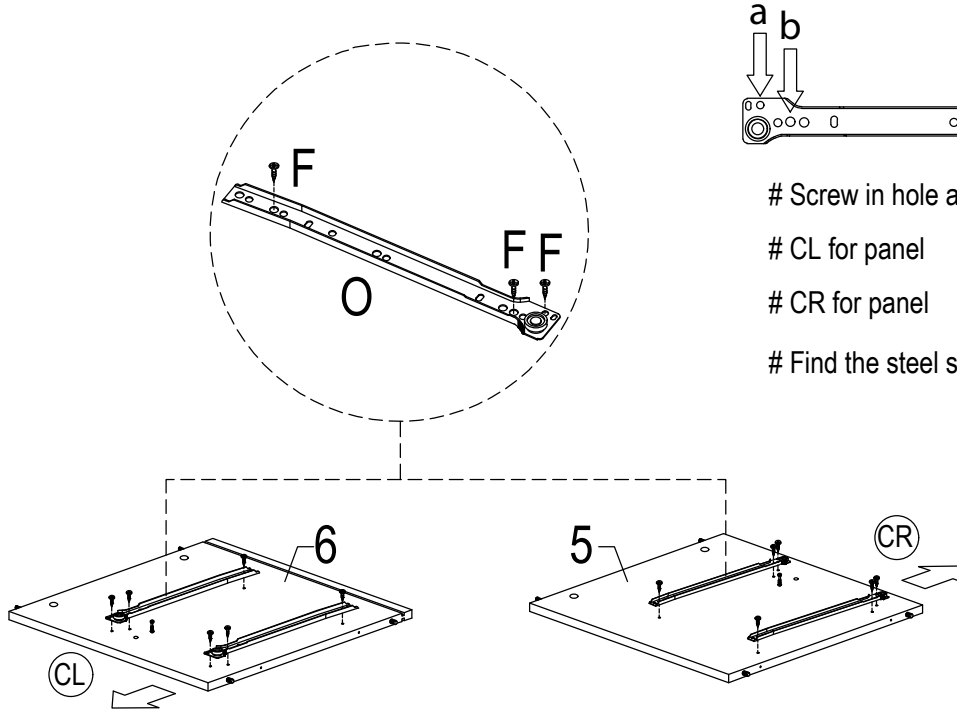


Step 6

Install CL on panel (6) and CR on panel (5) strictly following the detail sketch.

Note : Please find steel seal of CL, CR on rails.

(F) x 12	(O) x 2	(O) x 2
		
M3.5x12mm Screw	Drawer Slide CL	Drawer Slide CR



Screw in hole a, b and c

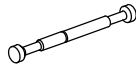

CL for panel (6)

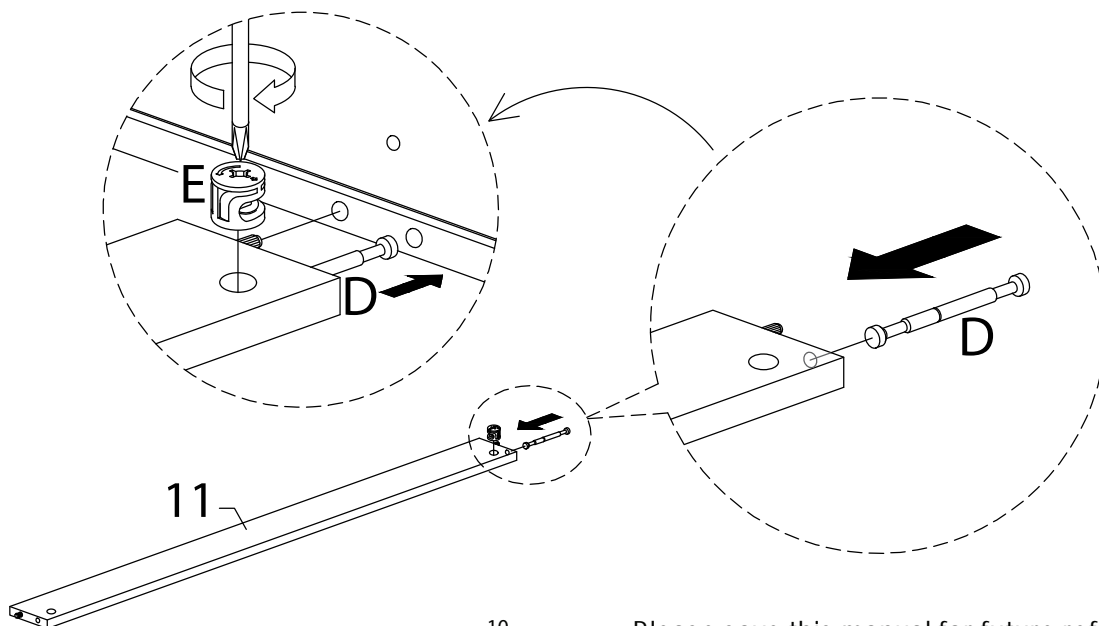
CR for panel (5)

Find the steel seal of CL, CR, DL, DR on rails.

Step 7

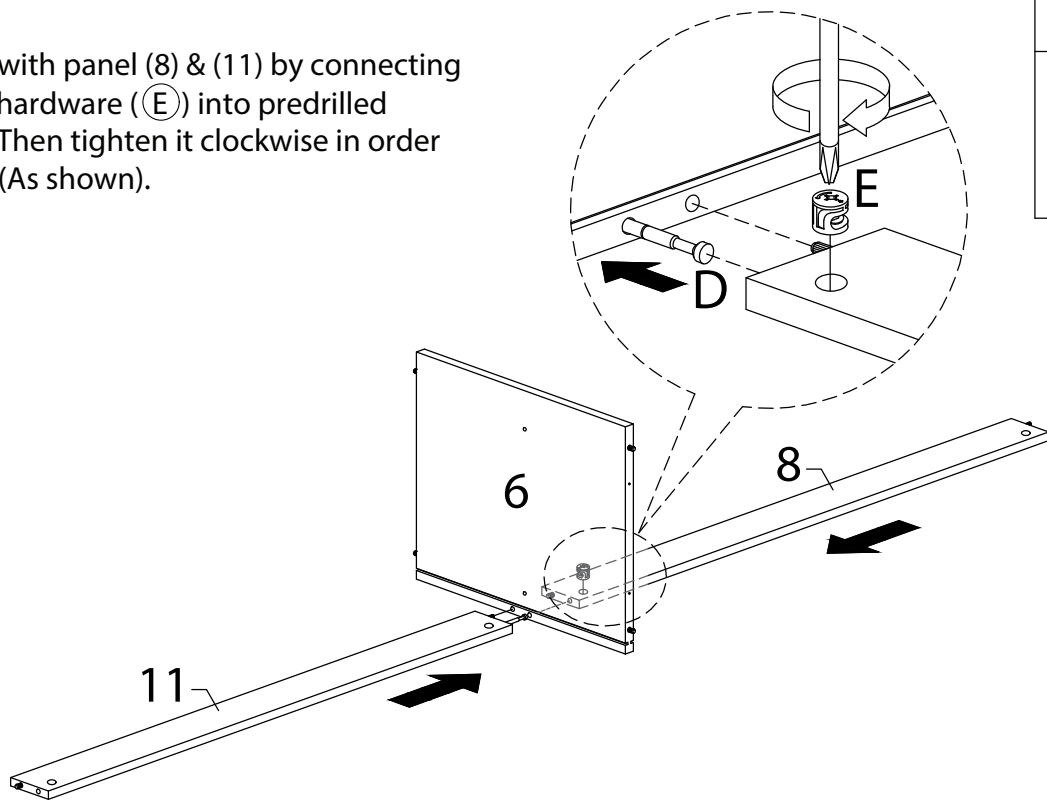
Insert Myfix (D) onto the holes of panel (11). Insert the hardware (E) with the arrow mark facing upwards and tighten it clockwise. (As shown).


(D) x 1	(E) x 1
	
63mm Myfix	Minifix



Step 8

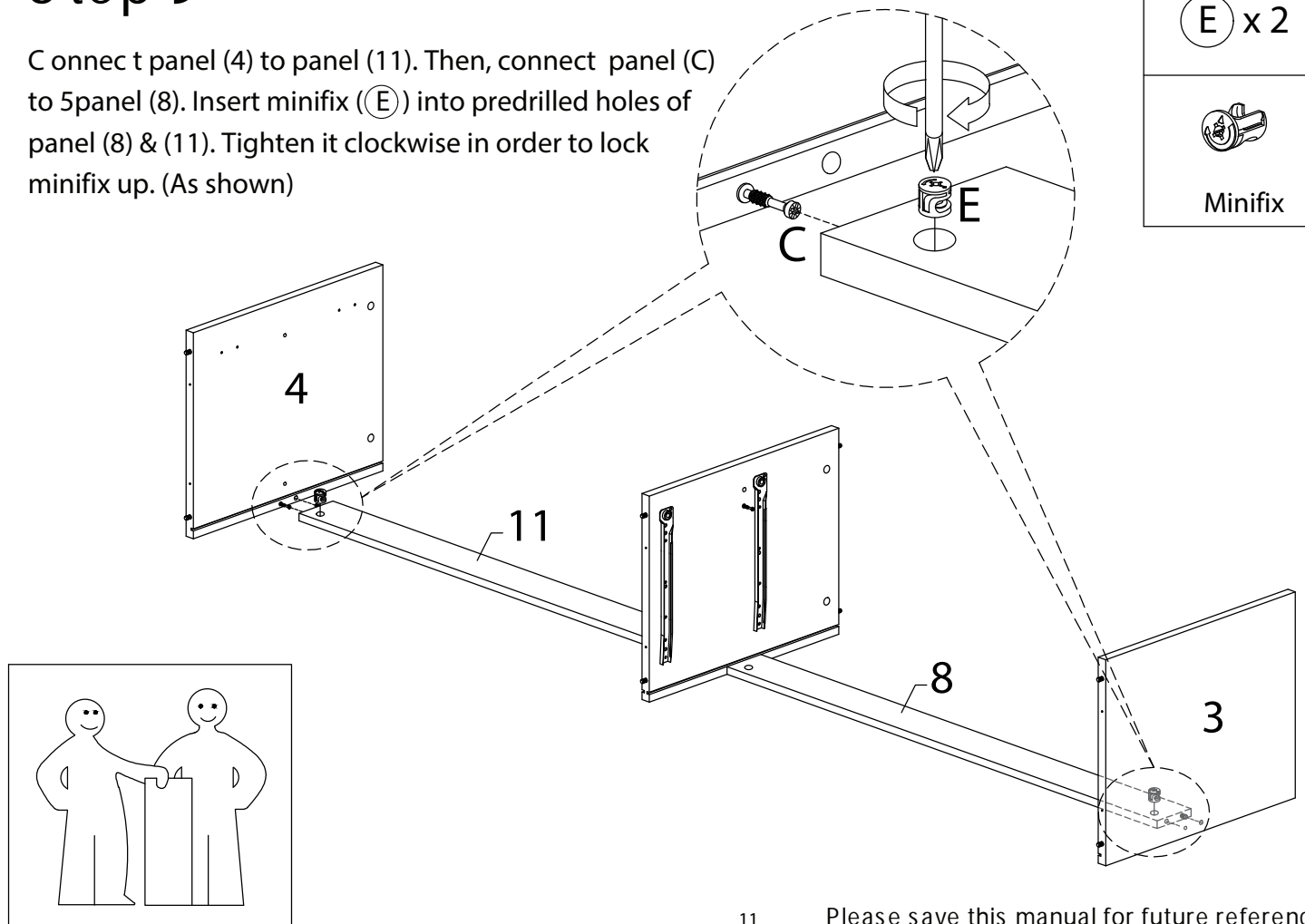
Connect panel (6) with panel (8) & (11) by connecting Myfix (D). Insert hardware (E) into predrilled holes of panel (8). Then tighten it clockwise in order to lock minifix up. (As shown).




(E) x 1

Minifix

Step 9


Connect panel (4) to panel (11). Then, connect panel (C) to panel (8). Insert minifix (E) into predrilled holes of panel (8) & (11). Tighten it clockwise in order to lock minifix up. (As shown)

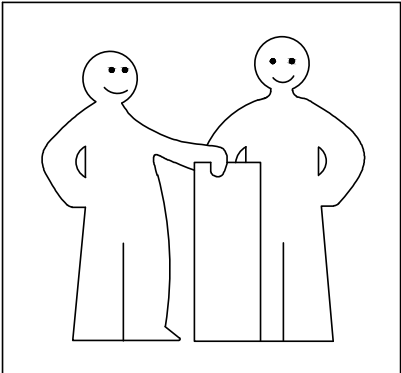
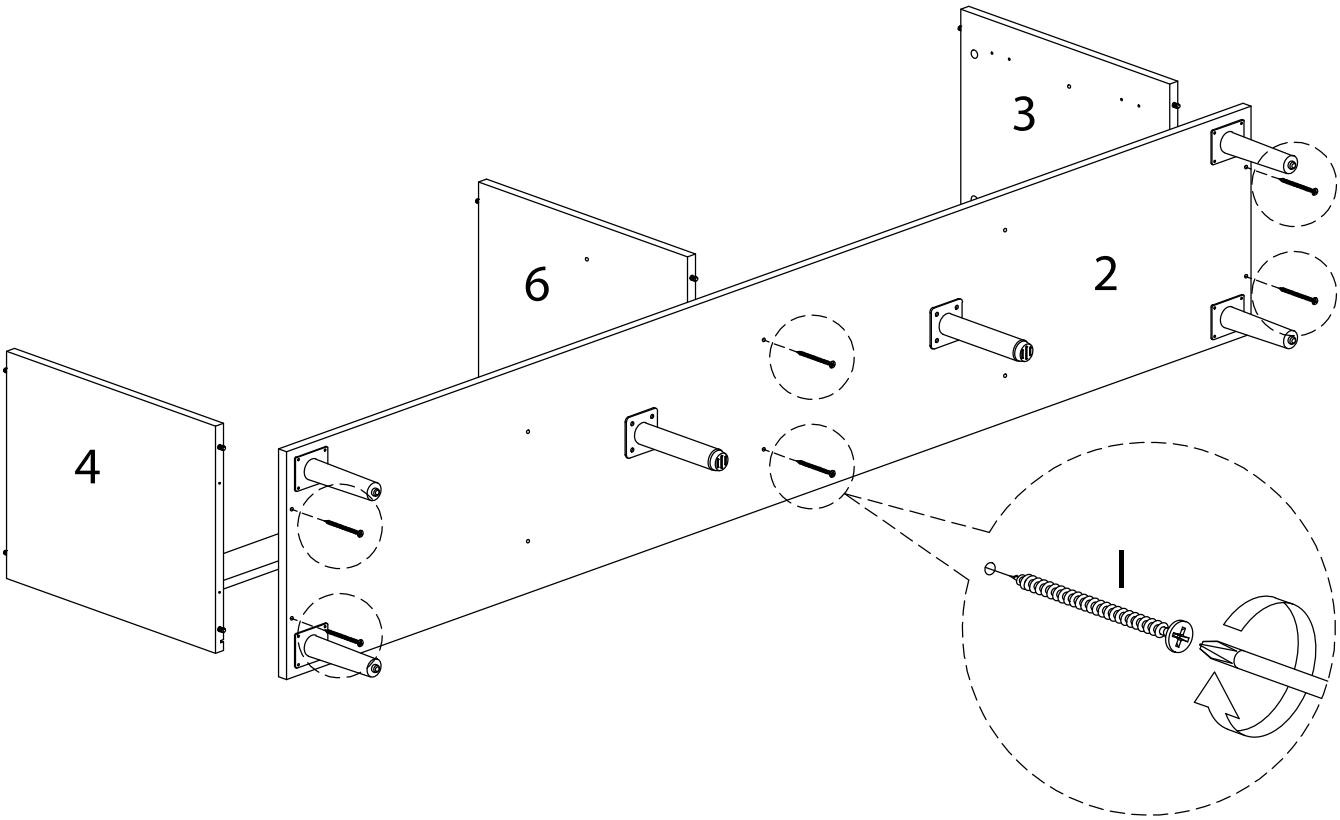


(E) x 2

Minifix

Step 10

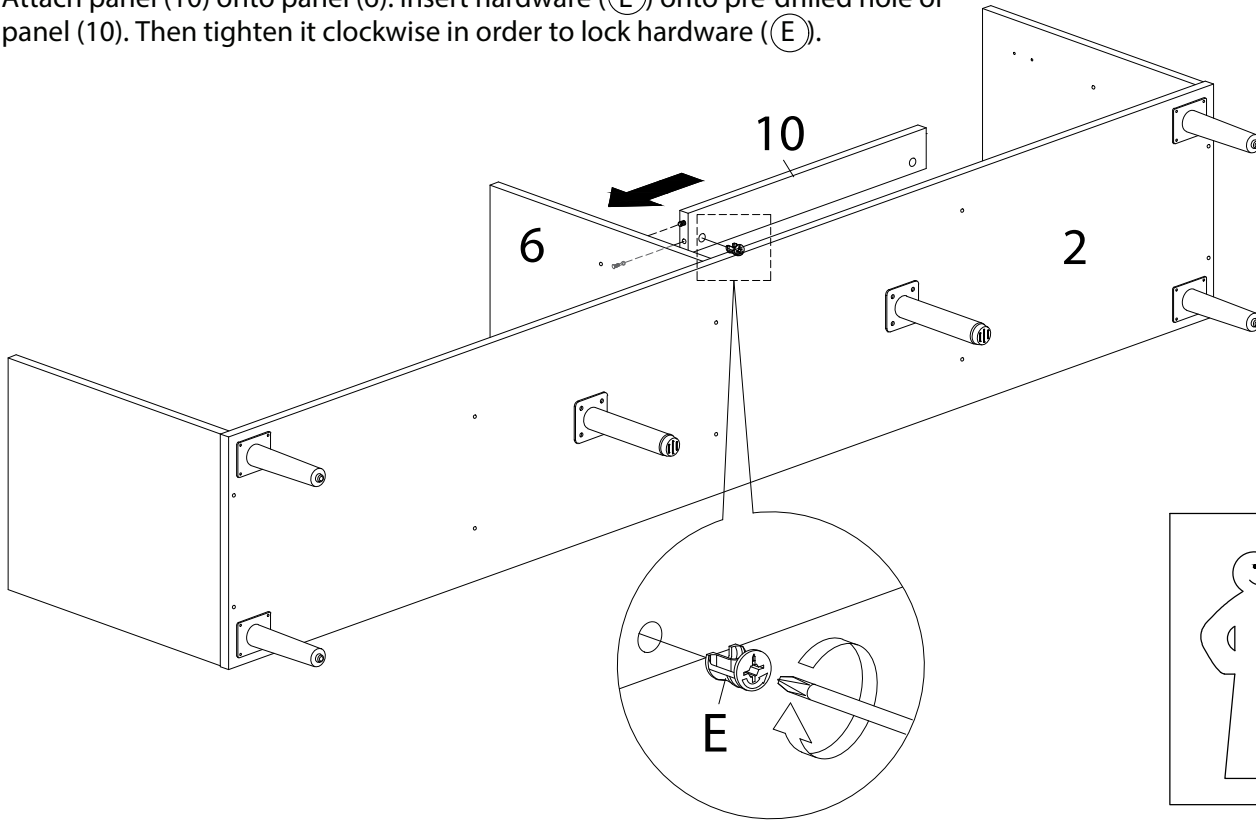
Assemble panel (3, 4 & 6) onto panel (2) by using screw (1) to fix them. Fully tighten with screw driver, as shown.

① x 6

M4x45mm Screw



Step 11

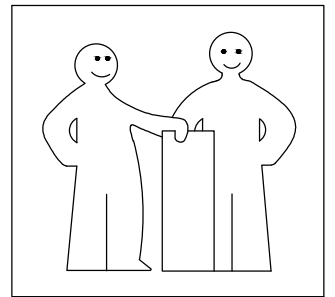
Attach panel (10) onto panel (6). Insert hardware (E) onto pre-drilled hole of panel (10). Then tighten it clockwise in order to lock hardware (E).



E x 1

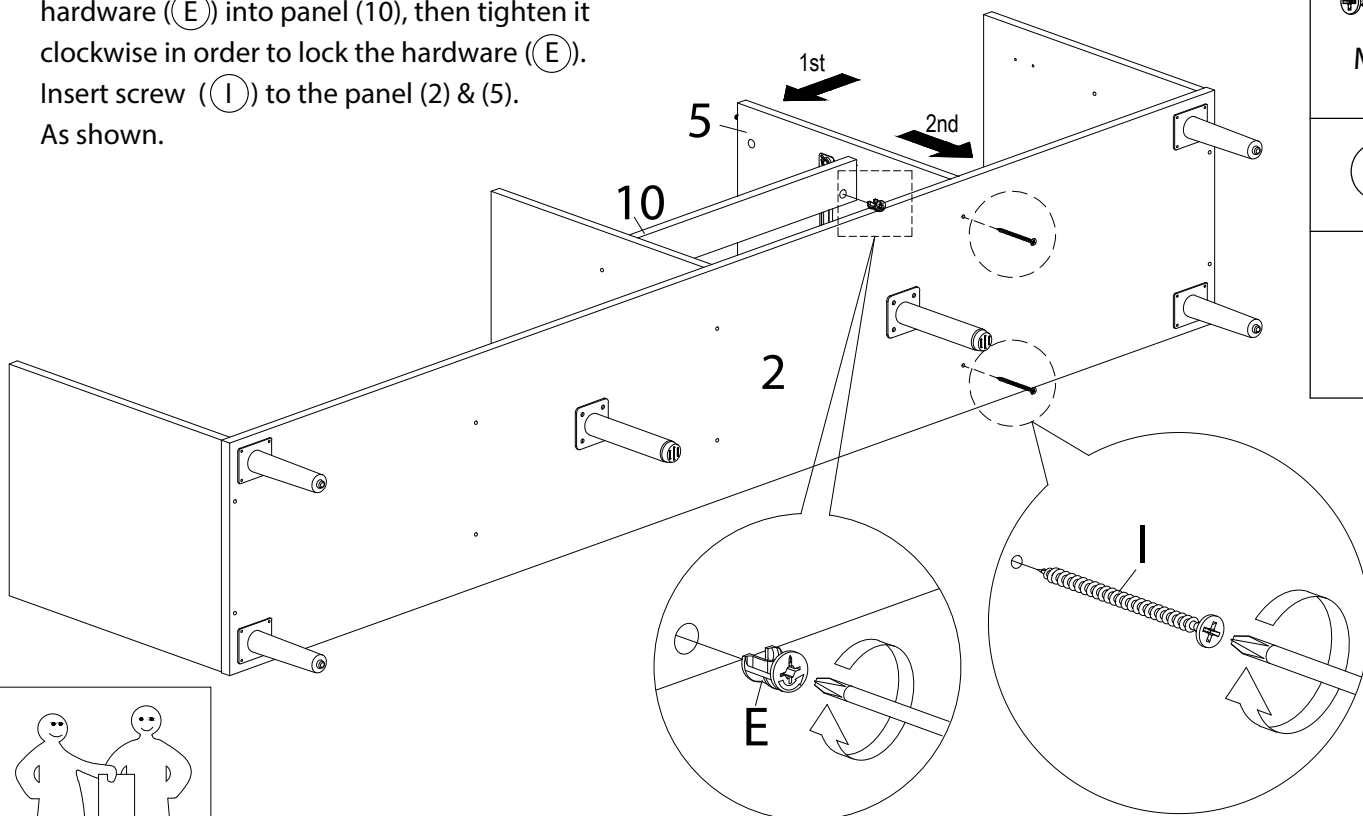


Minifix



Step 12

Assemble panel (5) onto panel (10) & (2). Insert hardware (E) into panel (10), then tighten it clockwise in order to lock the hardware (E). Insert screw (I) to the panel (2) & (5). As shown.



I x 2

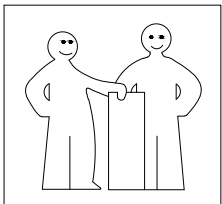


M4x45mm
Screw

E x 1



Minifix



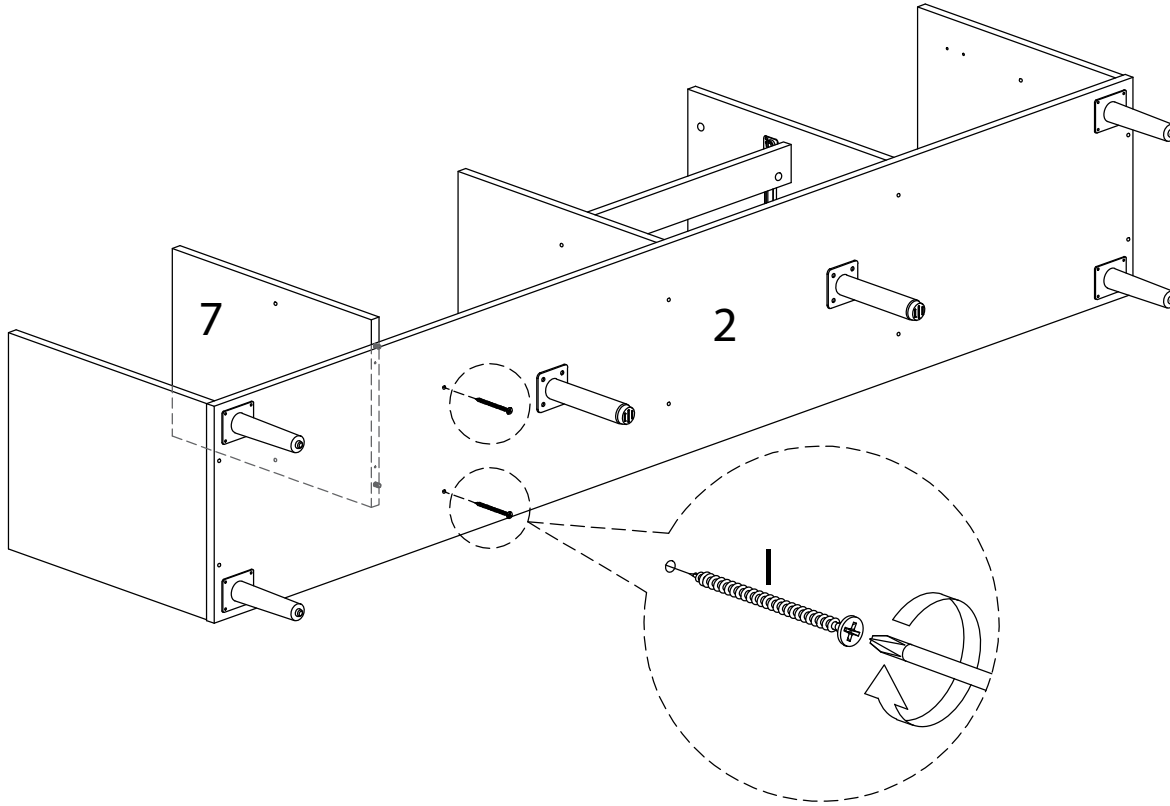
Step 13

Assemble panel (7) onto panel (2). Insert screw (1) & fully tighten with screw driver.

1 x 2

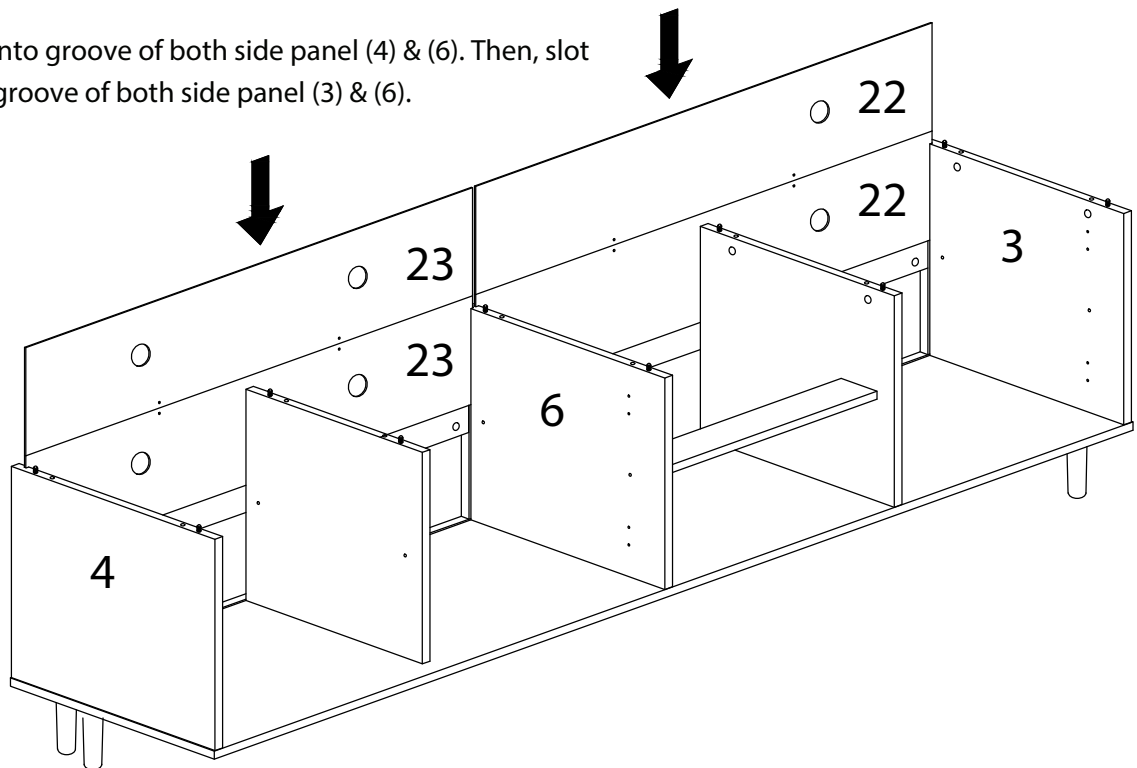


M4x45mm
Screw



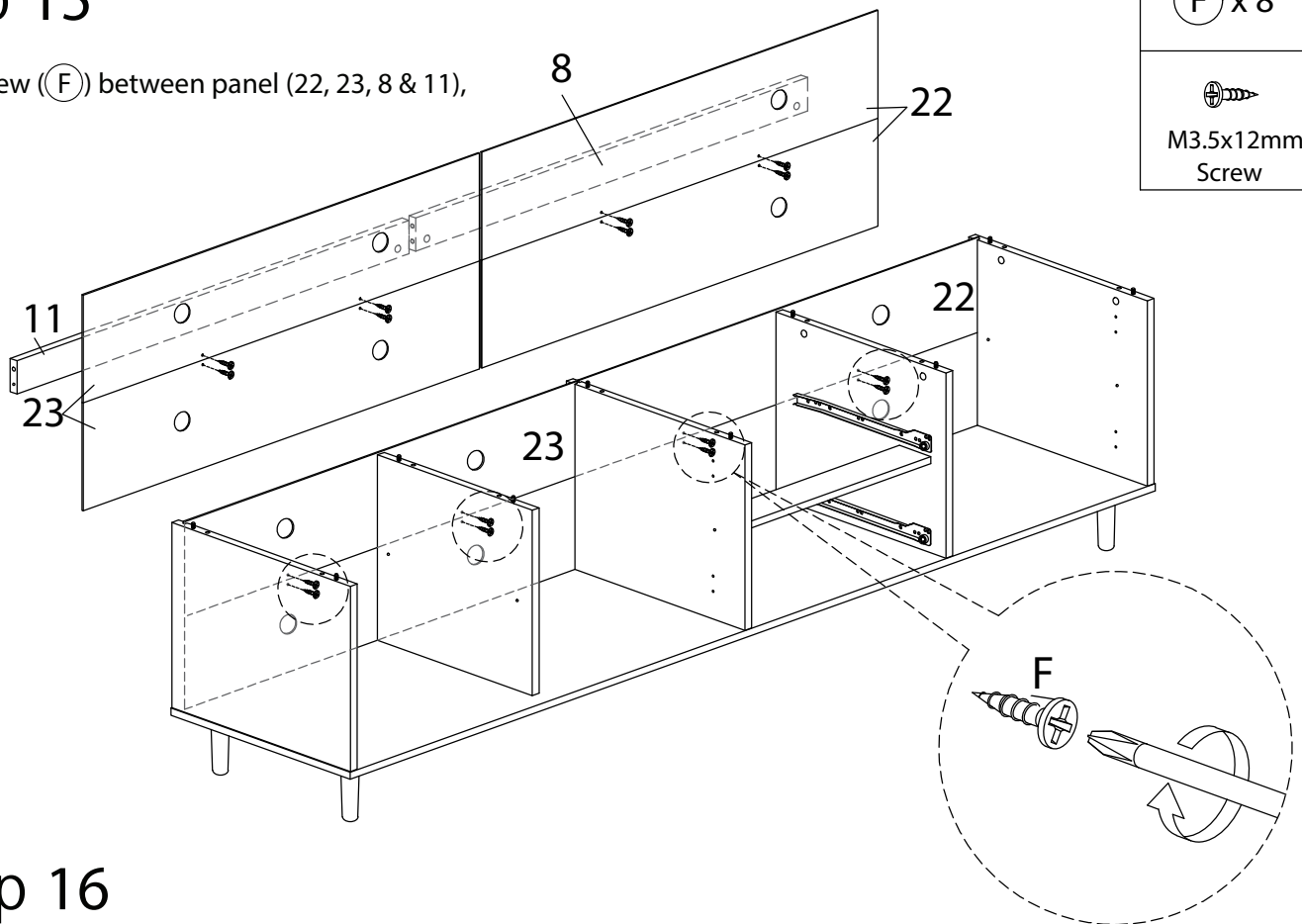
Step 14

Slot in 2pcs panel (23) into groove of both side panel (4) & (6). Then, slot in 2pcs panel (22) into groove of both side panel (3) & (6).
(As shown).



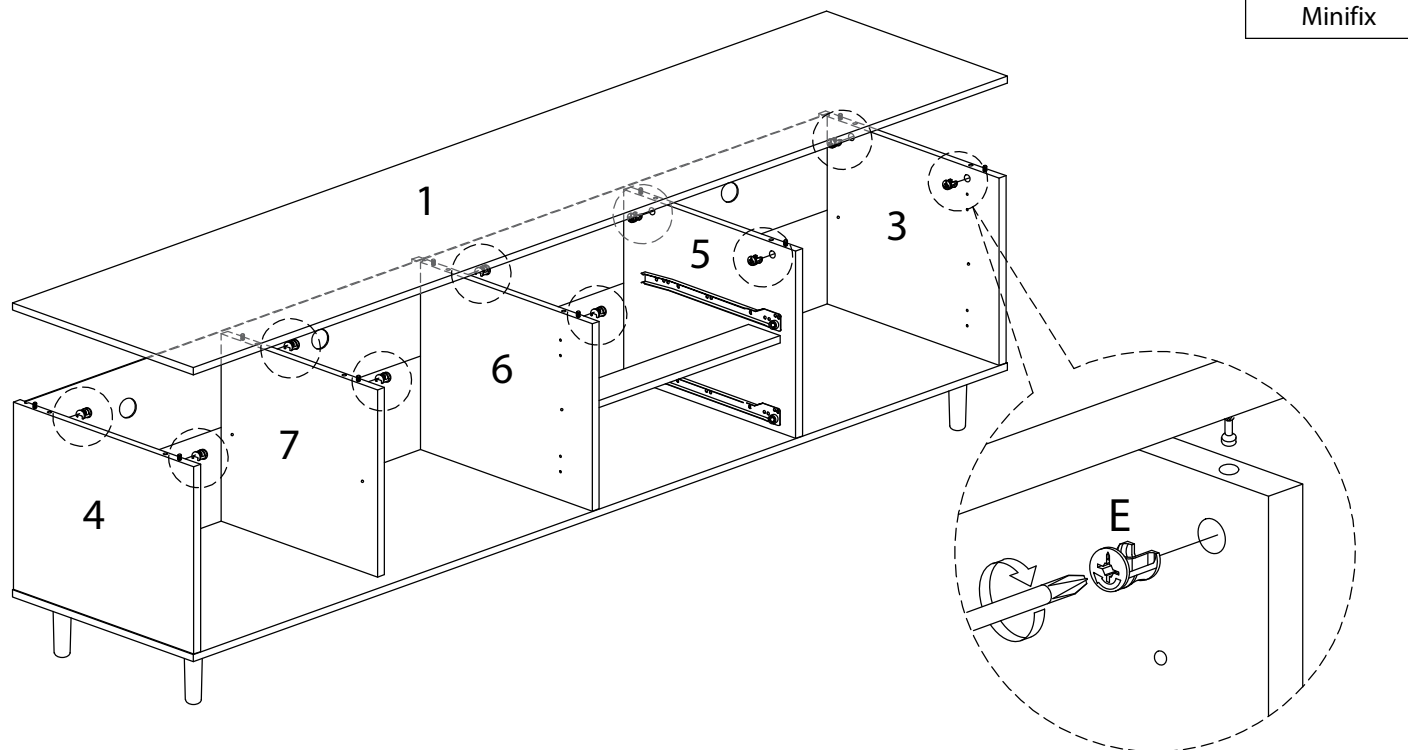
Step 15

Fasten screw (F) between panel (22, 23, 8 & 11), as shown.

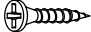



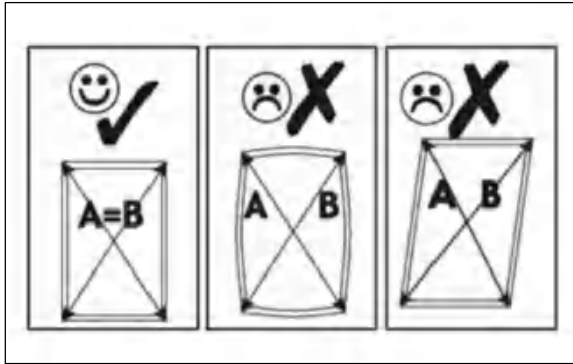
Step 16

Attach panel (1) onto panel (3, 4, 5, 6 & 7). Align the top panel firmly onto the wood dowels. Insert hardware (E) into predrilled holes of panel (3, 4, 5, 6 & 7), then tighten them clockwise in order to lock hardware (E). (As shown).

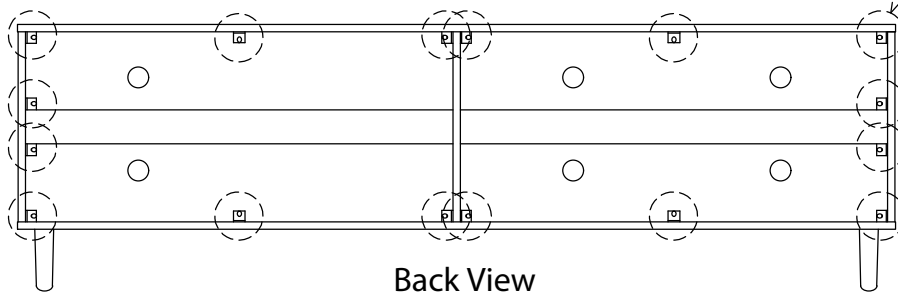
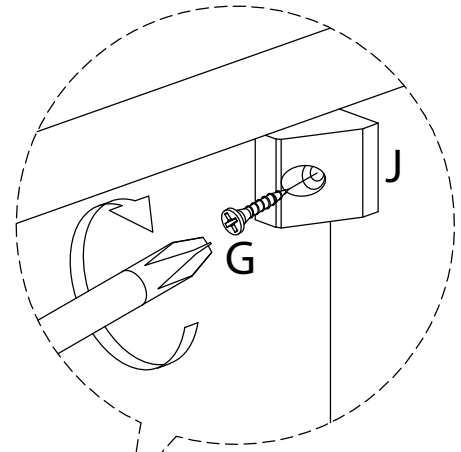


Step 17

G x 16	J x 16
 M3.5x16mm Screw	 Pyramid Angle Corner Block



ATTENTION PLEASE :Please ensure the structure is straight and level and all panels are at right angles before installing the back buckles, **MUST** install back buckles to strengthen product stability.

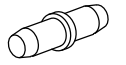


Back View

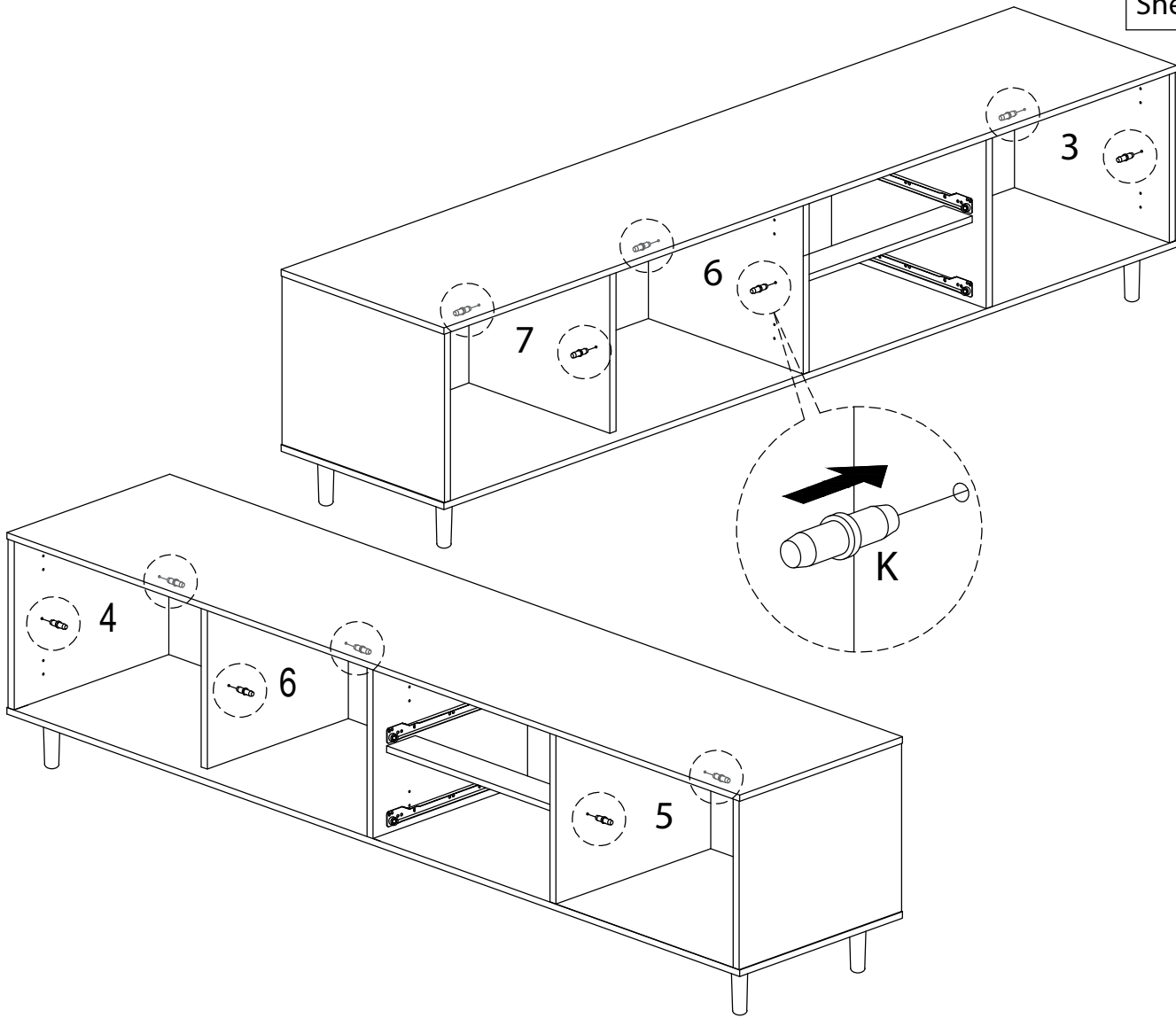
Step 18

Insert hardware (K) into predrilled holes of panel (3, 6 & 7). Repeat step for the next side of panel (4, 5 & 6), as shown.

(K) x 12

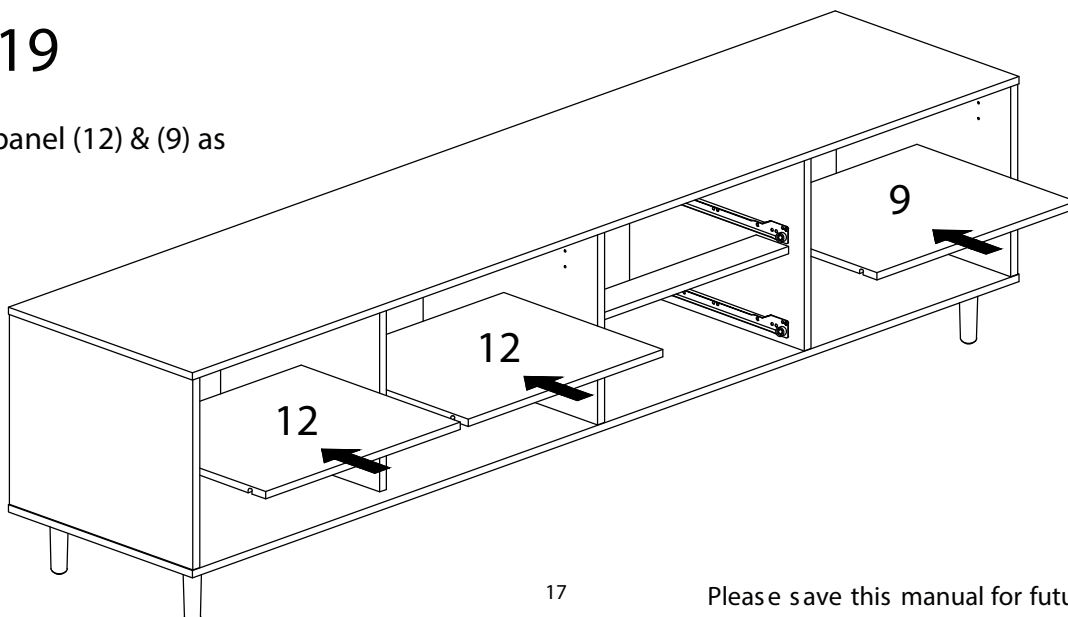


Shelf Support





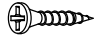
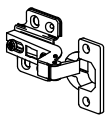
Step 19

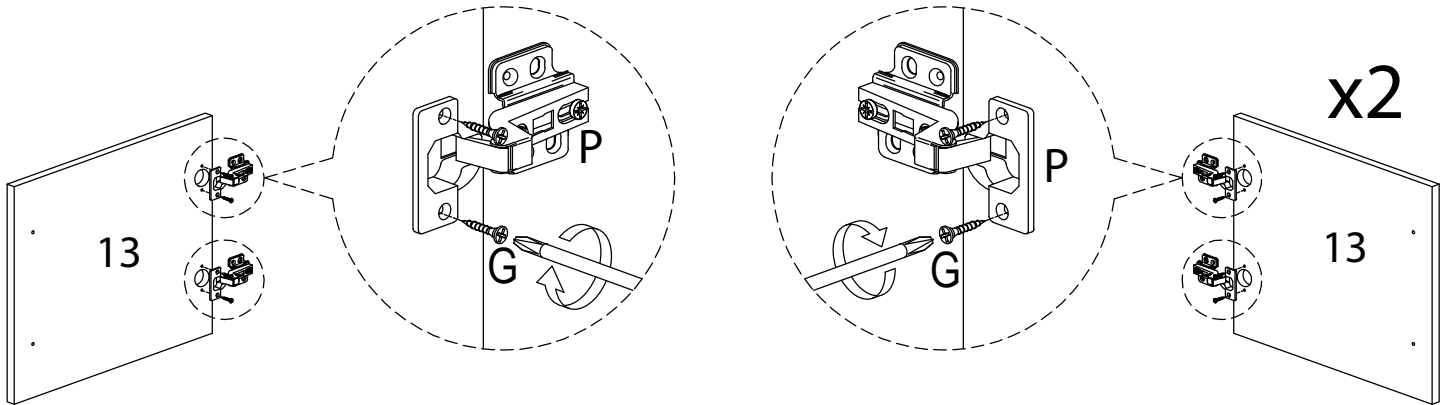
Place 2pcs panel (12) & (9) as shown.



Step 20



Assemble hardware (P) onto panel (13). Insert 2pcs screw (G) for each hardware (P) to fix them. Fully tighten by using screw driver.

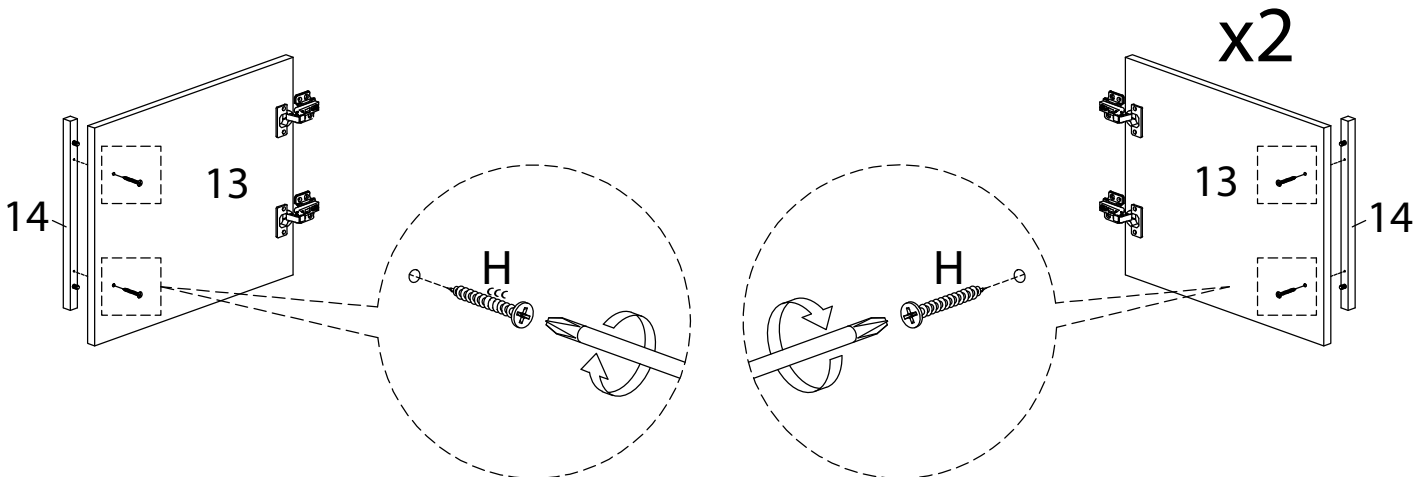
 G x 12	 P x 6
 M3.5x16mm Screw	 Hinges 7/8



Step 21

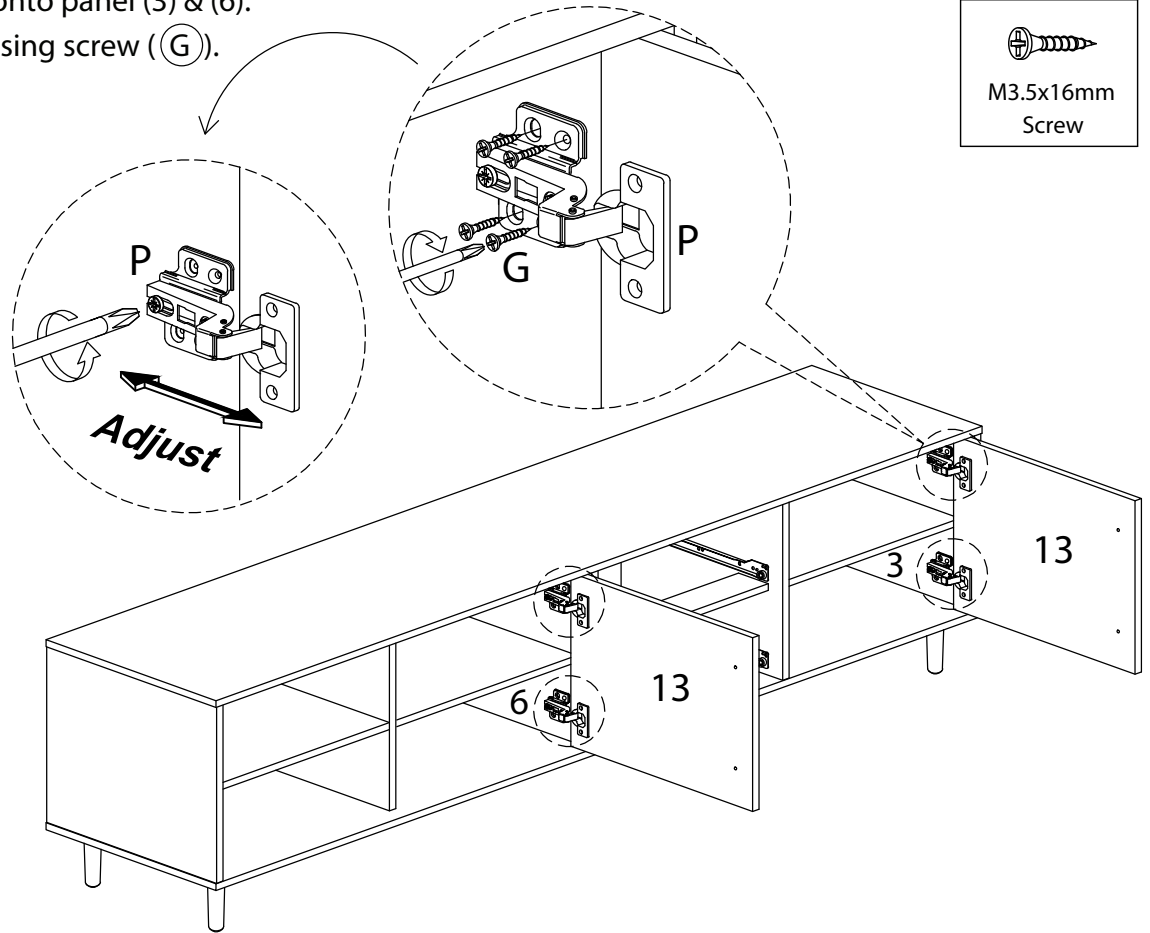
Assemble panel (14) by insert the wood dowel into the non-thru holes at the front panel (13). Insert 2pcs screw (H) for each panel (14) to fix them. Fully tighten by using screw driver.

 H x 6
 M4x28mm Screw



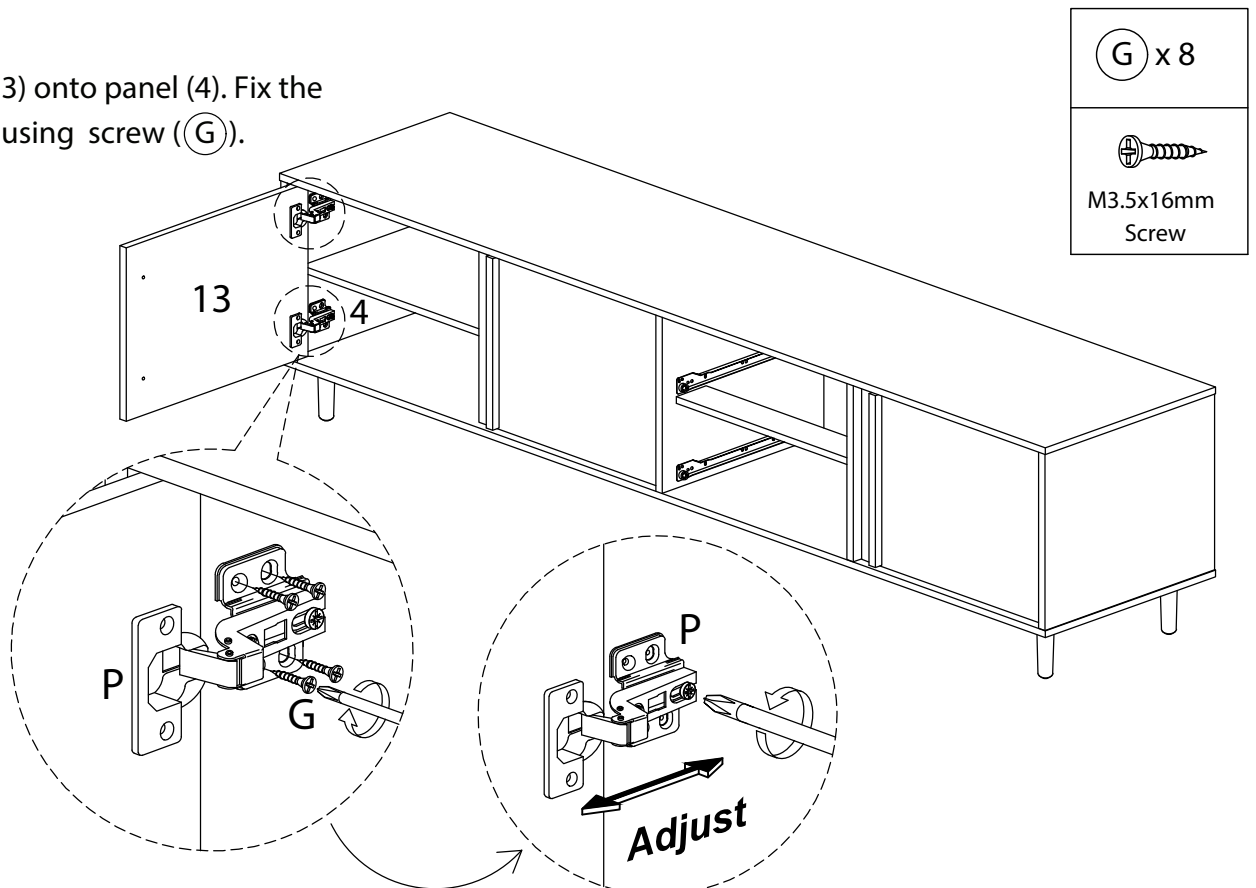
Step 22

Assemble both panel (13) onto panel (3) & (6).
Fix the hardware ((P)) by using screw ((G)).
(As shown).



Step 23

Assemble panel (13) onto panel (4). Fix the
hardware ((P)) by using screw ((G)).
(As shown).



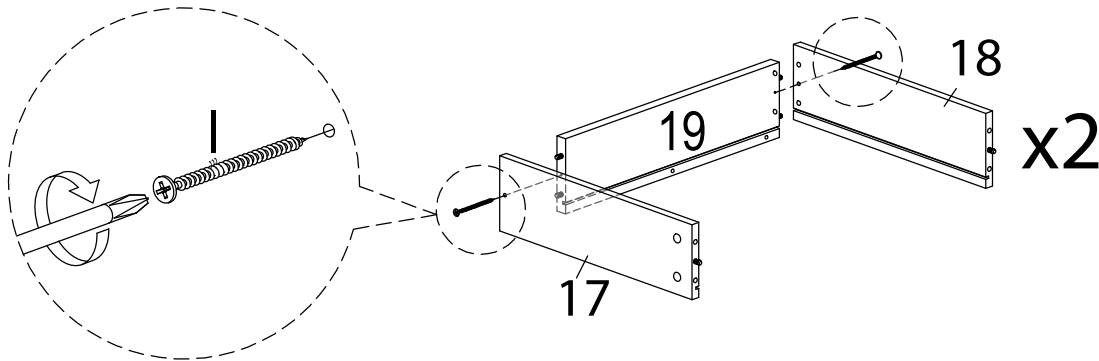
Step 24

Assemble panel (17 & 18) onto panel (19). Insert screw (I) to fix them. Fully tighten by using screw driver. (As shown).

I x 4



M4x45mm
Screw



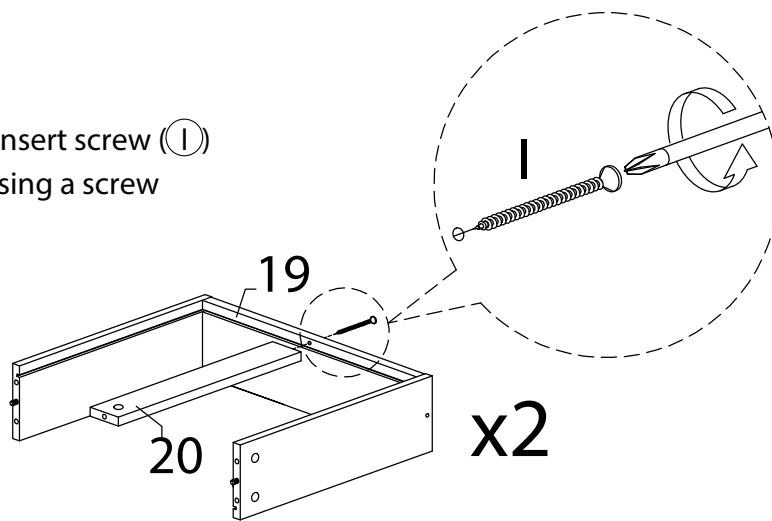
Step 25

Assemble panel (20) panel (19). Insert screw (I) to panel (19) & fully tighten by using a screw driver.

I x 2

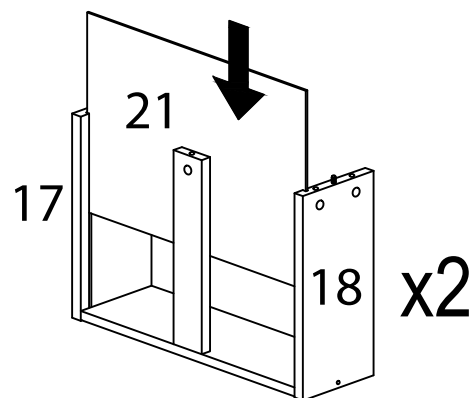


M4x45mm
Screw



Step 26

Slot in panel (21) into groove of panel (17) & (18). (As shown).



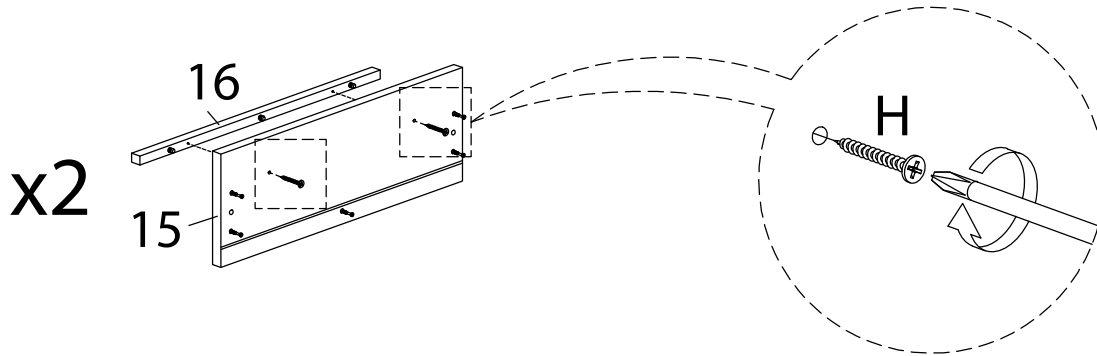
Step 27

Attach panel (16) onto panel (15). Insert screw (H) to fix them. Fully tighten by screw driver.

(H) x 4



M4x28mm
Screw



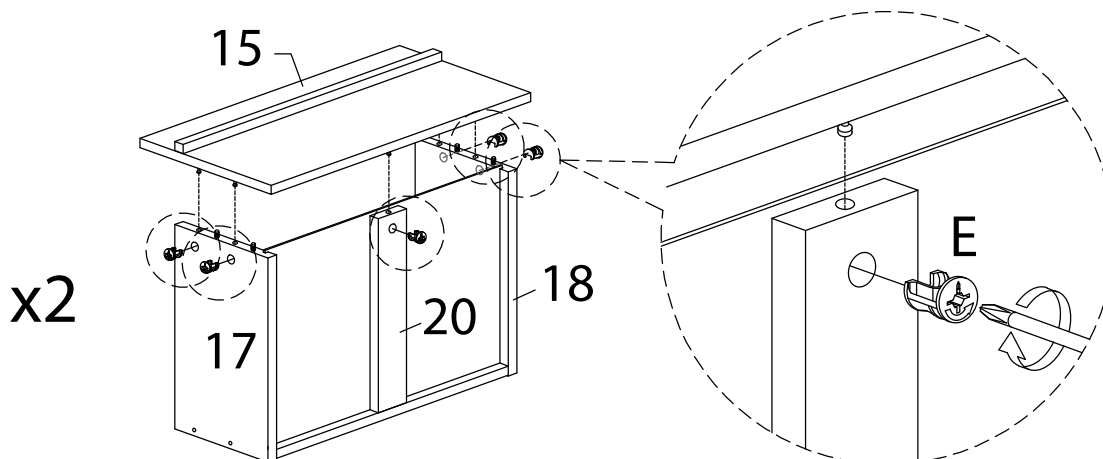
Step 28

Attach panel (15) onto panel (17), (18) & (20) by slightly hammering the wood dowels. Insert the hardware (E) and then tighten them clockwise in order to lock hardware (E). As shown.

(E) x 10






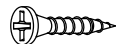
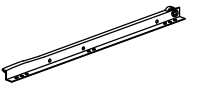

Minifix

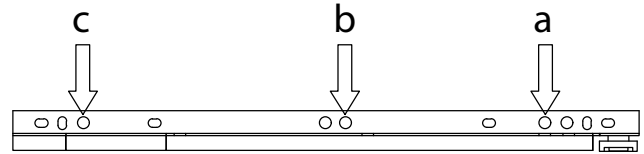
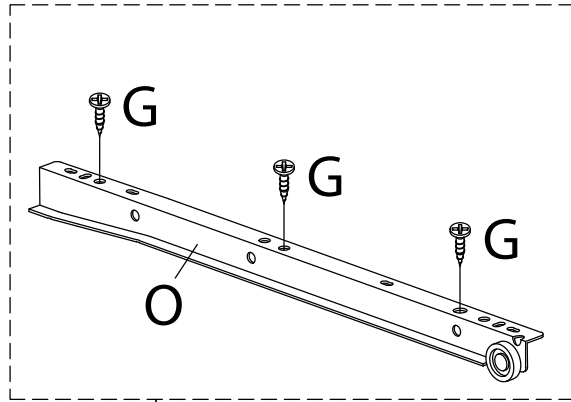


Step 29

Install DL on panel (17) and DR on panel (18) strictly following the holes as shown on detailed picture.

Note : Please find steel seal of CL, CR, DL, DR on rails.

 x 12	 x 2	 x 2
 M3.5x16mm Screw	 Drawer Slide DL	 Drawer Slide DR

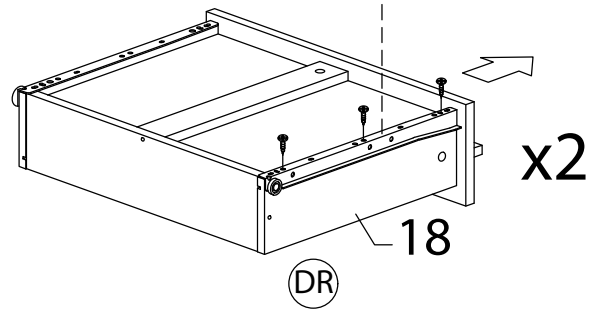
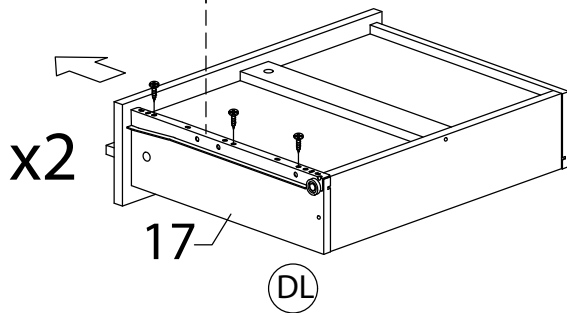


Screw in hole a, b and c

DL for panel (17)

DR for panel (18)

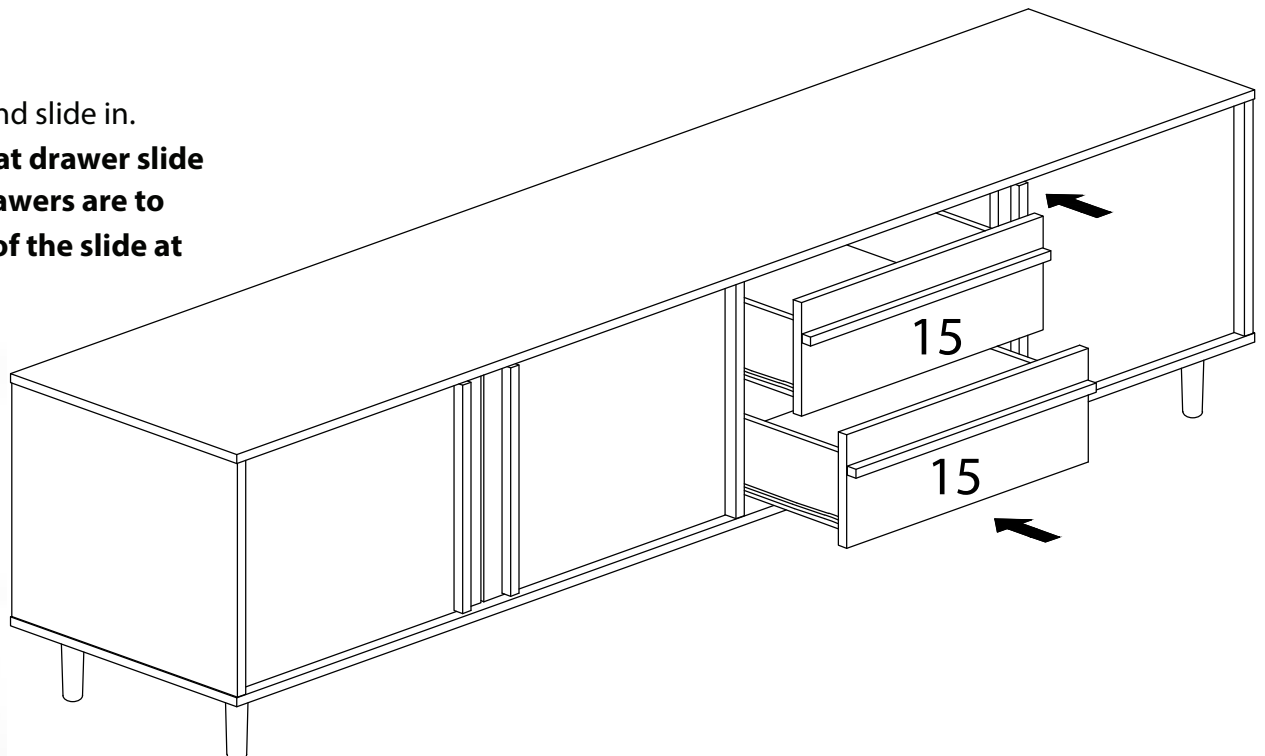
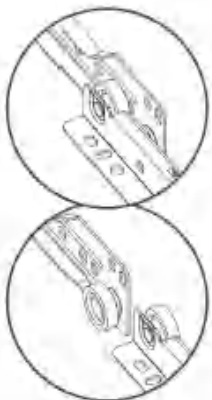
Find steel seal of CL, CR, DL, DR on rails



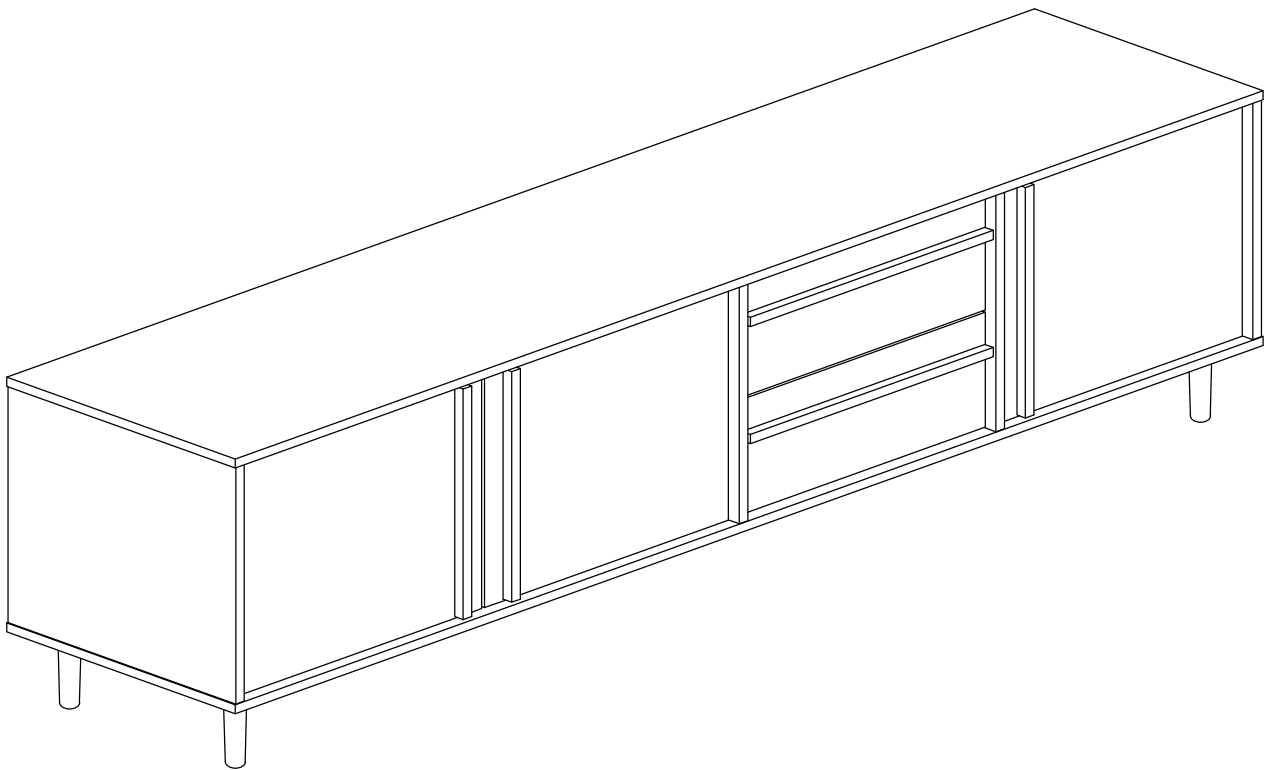
Step 30

Take the drawer, and slide in.

The white rollers at drawer slide at both side of drawers are to go into the track of the slide at each side panel.



VOILA!
Now enjoy.



Warning

DO NOT climb, sit or stand on the Cabinet as this may damage the product and cause serious bodily injury.

Something not right?

We are always here to help.

We make mistakes like every human does.

Though we always strive to provide the best possible products at competitive prices and the best service in the industry, it's not possible to completely eliminate mistakes. If you experience any dissatisfaction, feel free to contact us immediately. Our in-house customer care team will respond ASAP.

Things to do to expedite the process

- Have your order# ready
- Take photos/videos to help us better identify the issues
- DO NOT throw away the packaging