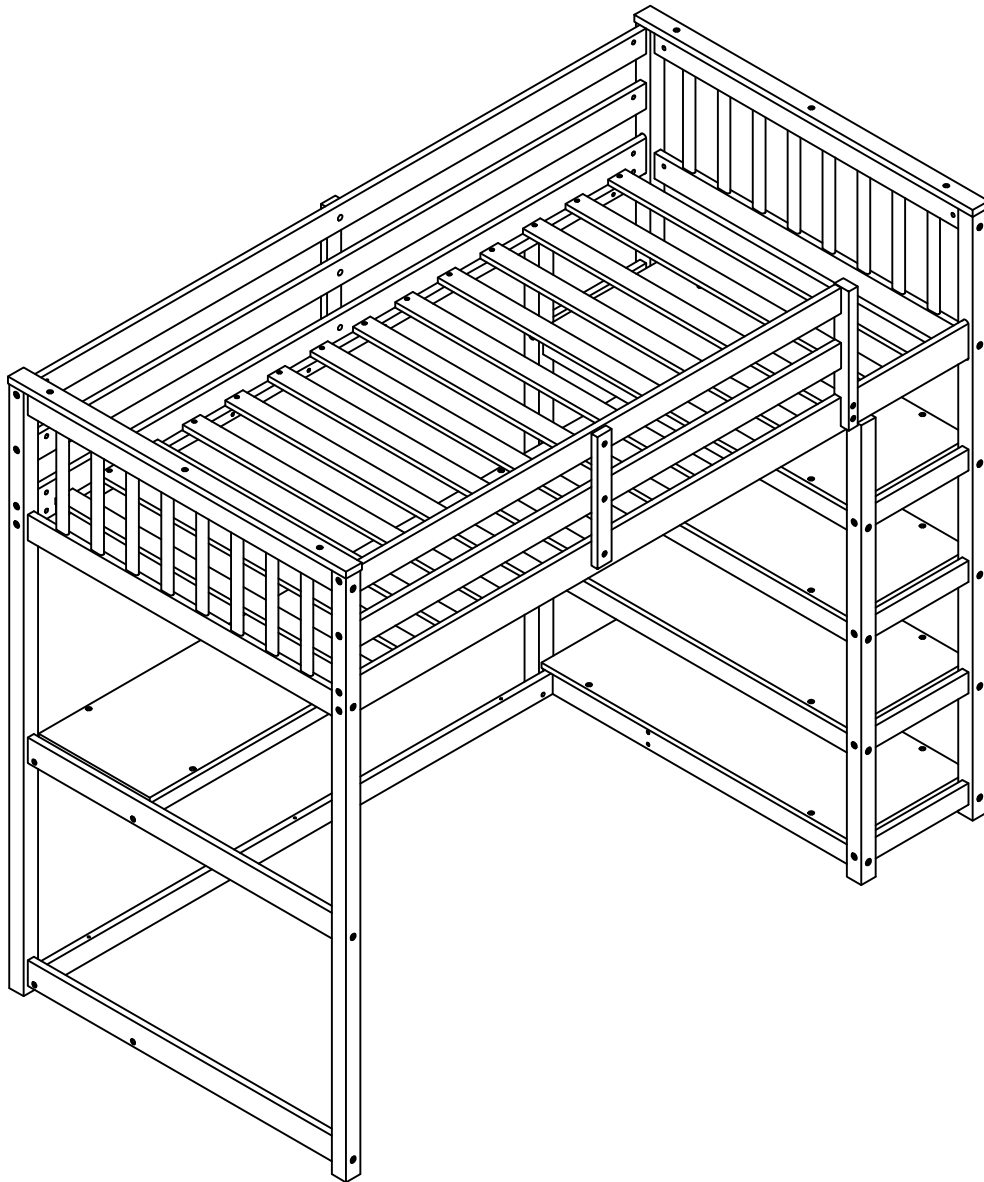


ASSEMBLY INSTRUCTIONS

TWIN LOFT BED WITH SHELF



SAFETY WARNINGS AND GENERAL NOTES:

Follow the information on the warnings on the loft bed end structure and on the carton. Do not remove the warning label from the bed. Always use the recommended size mattress on mattress support, or both, to help prevent the likelihood of entrapment or falls.

The top surface of the mattress must be at least 5*inch (127mm) below the upper edge of the guardrail.

Do not allow children under 6 years of age to use the upper bunk.

Periodically check and ensure the guardrail, ladder and other components are in their proper position, free from damage, and all connectors are tight.

Do not allow horseplay on or under beds.

Always prohibit jumping on the bed.

Prohibit more than one person on upper bunk.

Always use the ladder for entering and leaving the upper bunk.

Do not use substitute parts. Contact the manufacturer or dealer for replacement parts.

Use of a night-tight may provide added safety precaution for a child using the upper bunk.

Always use guardrails on both long sides of the upper bunk.

If the loft bed will be placed next to a wall, the guardrail that runs the full length of the bed should be placed against the wall to prevent entrapment between the bed and the wall.

The use of water or sleep flotation mattresses is prohibited.

STRANGULATION HAZARD-Never attach or hang items to any part of the loft bed that are not designed for use with the bed.

Keep these instructions for future reference.

We recommend assembling your loft bed on the shipping carton to protect your floor or carpet.

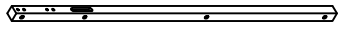
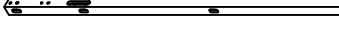

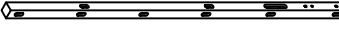


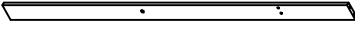

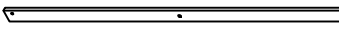


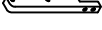
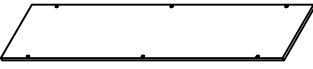
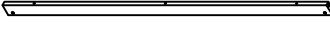
Be certain all staples are out of the box before beginning assembly on the shipping carton.

USE ONLY MATTRESSES WHICH ARE 74"-75" LONG AND 38 1/2" WIDE ON UPPER AND ON LOWER BUNKS. ENSURE THICKNESS OF MATTRESS DOES NOT EXCEED 6".

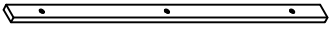
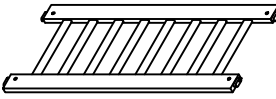
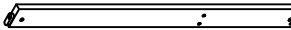
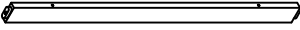

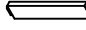
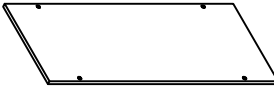

SURFACE OF MATTRESS MUST BE AT LEAST 5" (127MM) BELOW THE UPPER EDGE OF GUARDRAILS.

Part List

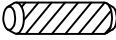

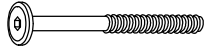








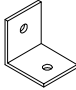

Hardware List WF291351

<p>A</p>  <p>Leg (Left front) - 1pc</p>	<p>B</p>  <p>Leg (Left back) - 1pc</p>	<p>C</p>  <p>Leg (Right front) - 1pc</p>
<p>D</p>  <p>Leg (Right back) - 1pc</p>	<p>E</p>  <p>Leg short (Front) - 1pc</p>	<p>F</p>  <p>Leg short (Back) - 1pc</p>
<p>M</p>  <p>Side rail (front) - 1pc</p>	<p>N</p>  <p>Side rail (back) - 1pc</p>	<p>P</p>  <p>Long guard rail (back) - 2pcs</p>
<p>Q</p>  <p>Short guard rail (front) - 2pcs</p>	<p>R</p>  <p>Vertical guard rail - 2pcs</p>	<p>S</p>  <p>Support guard rail (Right) - 1pc</p>
<p>U</p>  <p>Top panel - 1pc</p>	<p>V</p>  <p>Horizontal bar - 3pcs</p>	

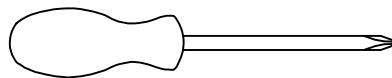
WF291352

<p>G</p>  <p>Cap for upper HB-FB - 2pcs</p>	<p>H</p>  <p>Frame HB - FB - 2pcs</p>	<p>I</p>  <p>Horizontal bar HB - 2pcs</p>
<p>J</p>  <p>Horizontal bar FB - 6pcs</p>	<p>J1</p>  <p>Horizontal bar FB - 2pcs</p>	<p>K</p>  <p>Step ladder - 6pcs</p>
<p>L</p>  <p>Shelf - 4pcs</p>	<p>W</p>  <p>Slat - 14pcs</p>	

Hardware List WF291351

1  Ø8*30mm Wood dowel (6pcs)	2  (Ø15)1/4"*100mm Hex-Head bolts (14pcs)	3  (Ø15)1/4"*80mm Hex-Head bolts (42pcs)
4  (Ø12)1/4"*60mm Hex-Head bolts (6pcs)	5  (Ø12)1/4"*35mm Hex-Head bolts (2pcs)	6  (Ø12)1/4"*30mm Hex-Head bolts (6pcs)
7  1/4"*15 (9.5mm) Horizontal-Hole bolts (62pcs)	8  (Ø12)1/4"*40mm Hex-Head bolts (28pcs)	9  (1/4")4.5*58mm Allen key (1pc)
10  Ø3.5*15mm Wood screws (4pcs)	11  Ø4*30mm Wood screws (28pcs)	12  24*28*28*2mm Metal bracket (2pcs)
13  Ø10*40mm Wood dowel (8pcs)		

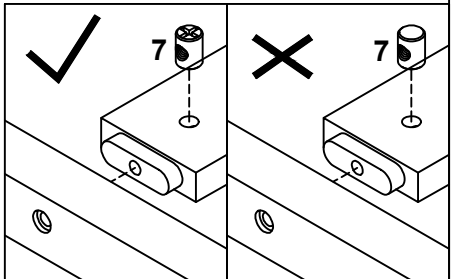
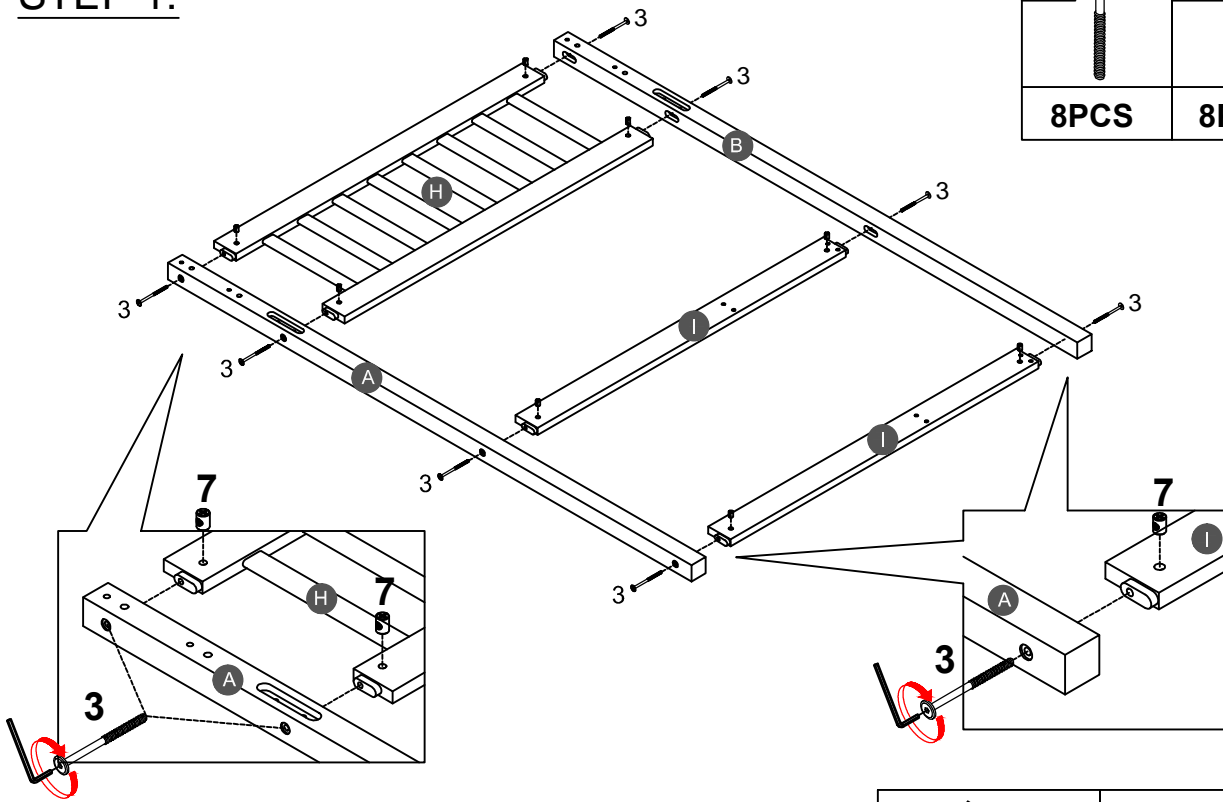
ASSEMBLY TOOLS REQUIRED (NOT INCLUDED)



PLEASE BE CAREFUL DO NOT DAMAGE THE HOLE POSITION WHEN YOU USE POWER TOOLS !

STEP 1:

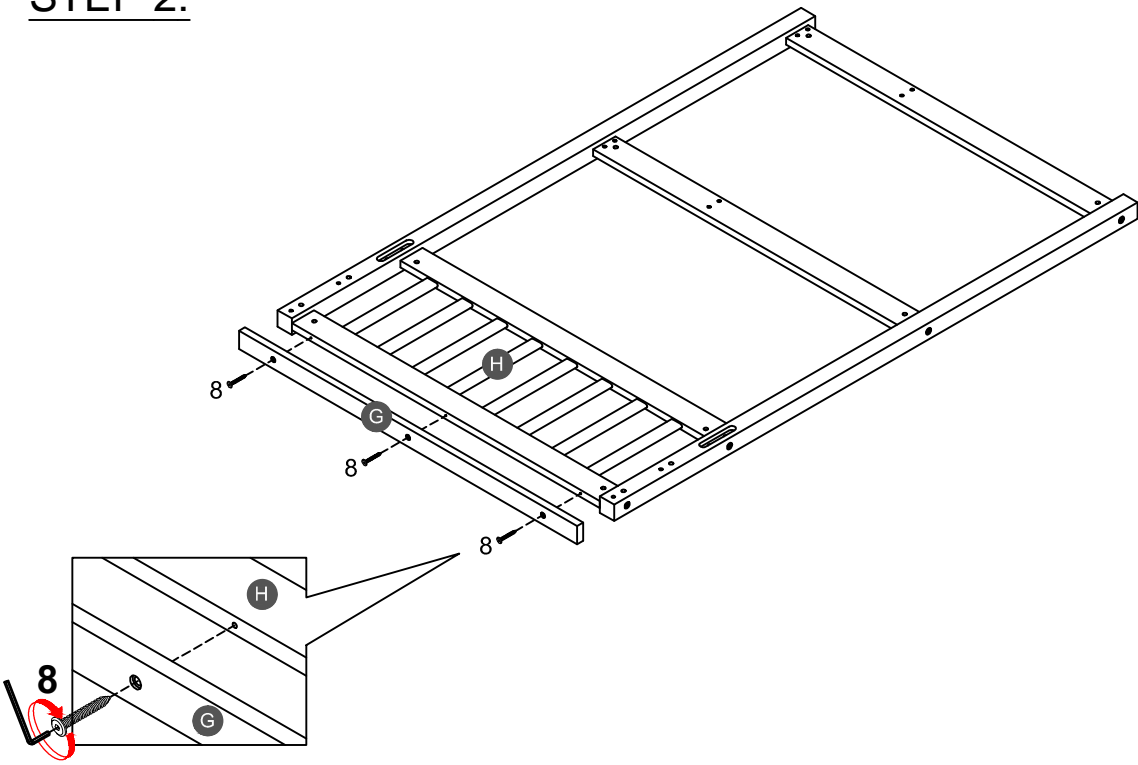
3	7
8PCS	8PCS





Note: Part 7 will face up with the "x" mark on it, otherwise it cannot be tightened

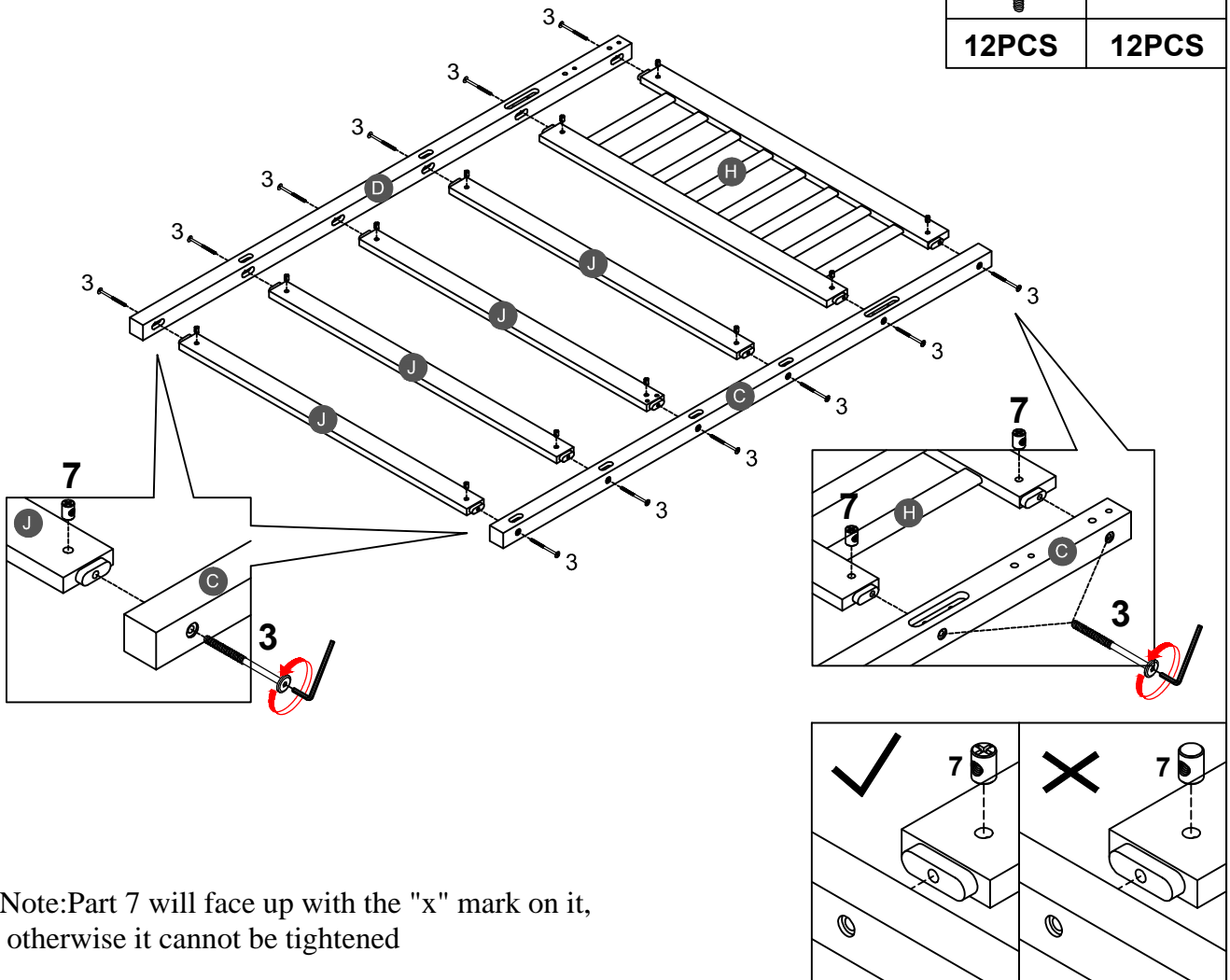
STEP 2:

8
3PCS




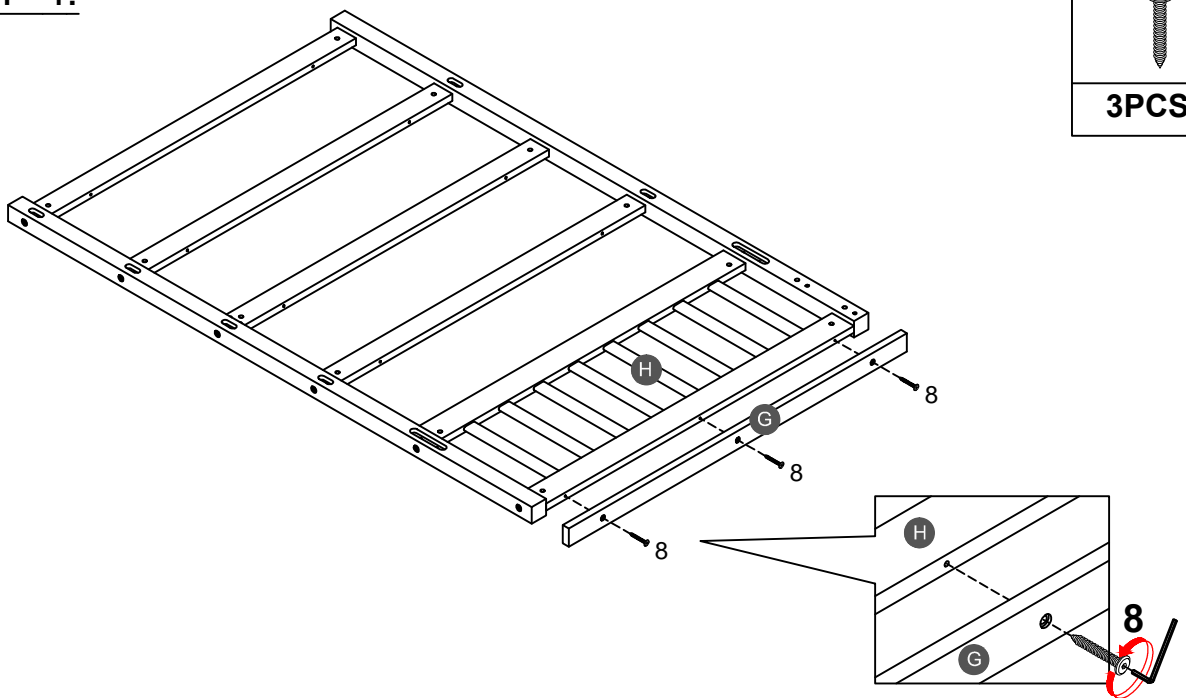
STEP 3:

3		7	
12PCS		12PCS	

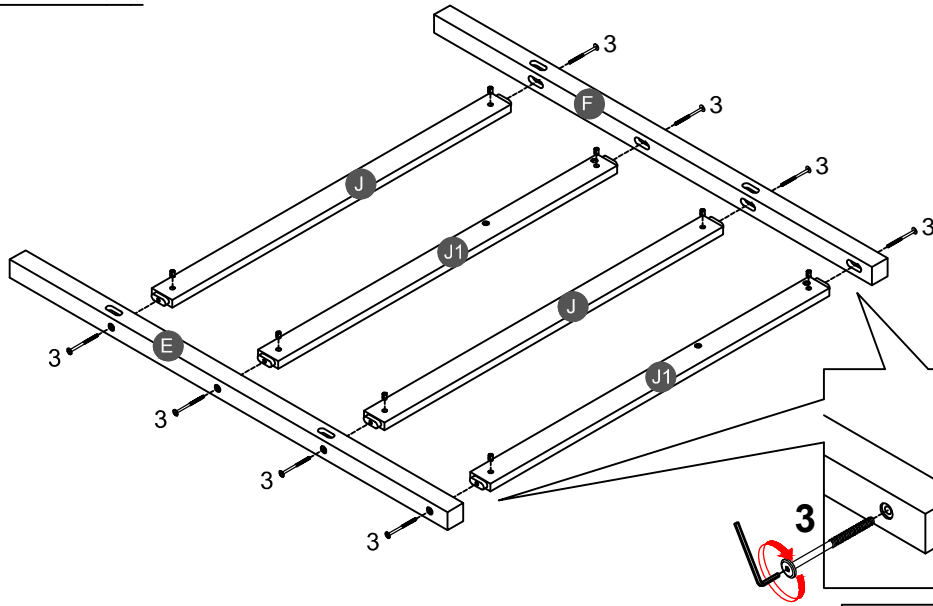




STEP 4:

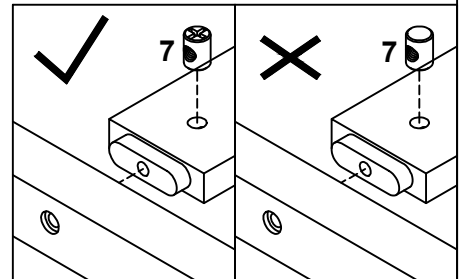
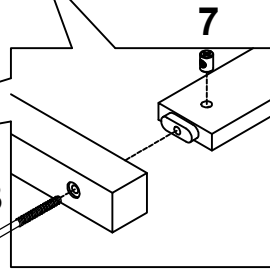
8	
3PCS	



STEP 5:

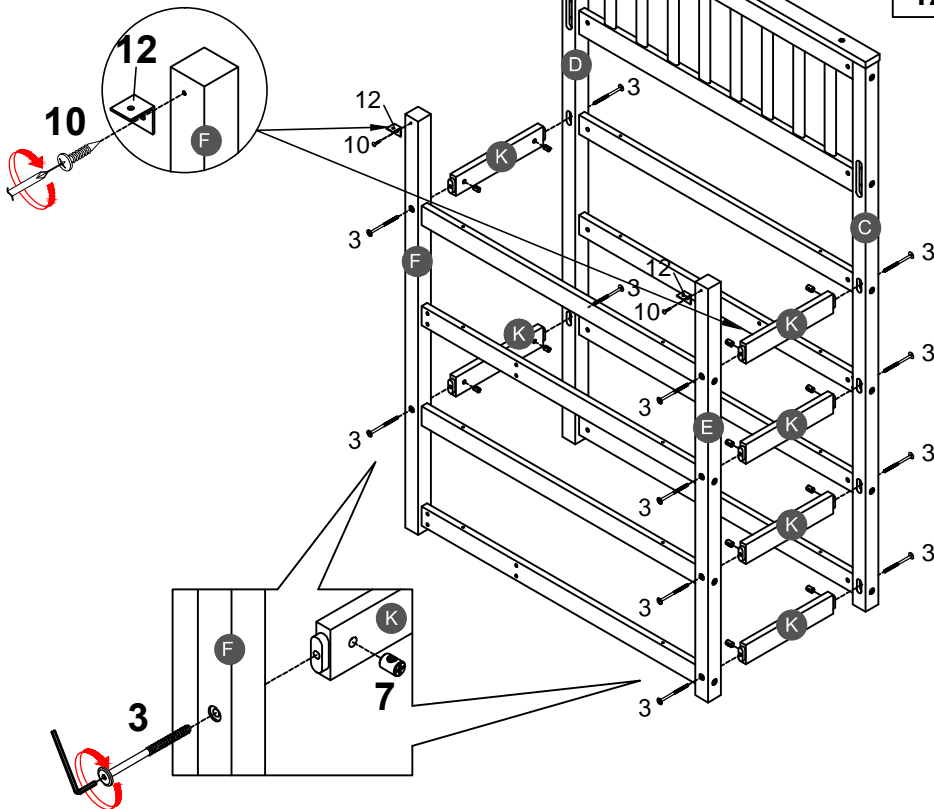


3		7	
8PCS		8PCS	




Note: Part 7 will face up with the "x" mark on it, otherwise it cannot be tightened







STEP 6:

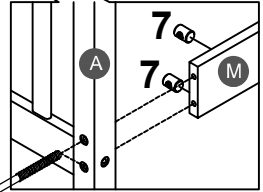
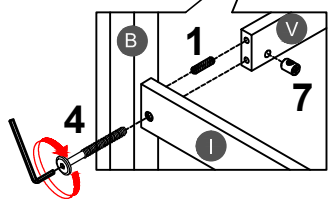
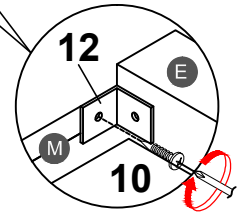
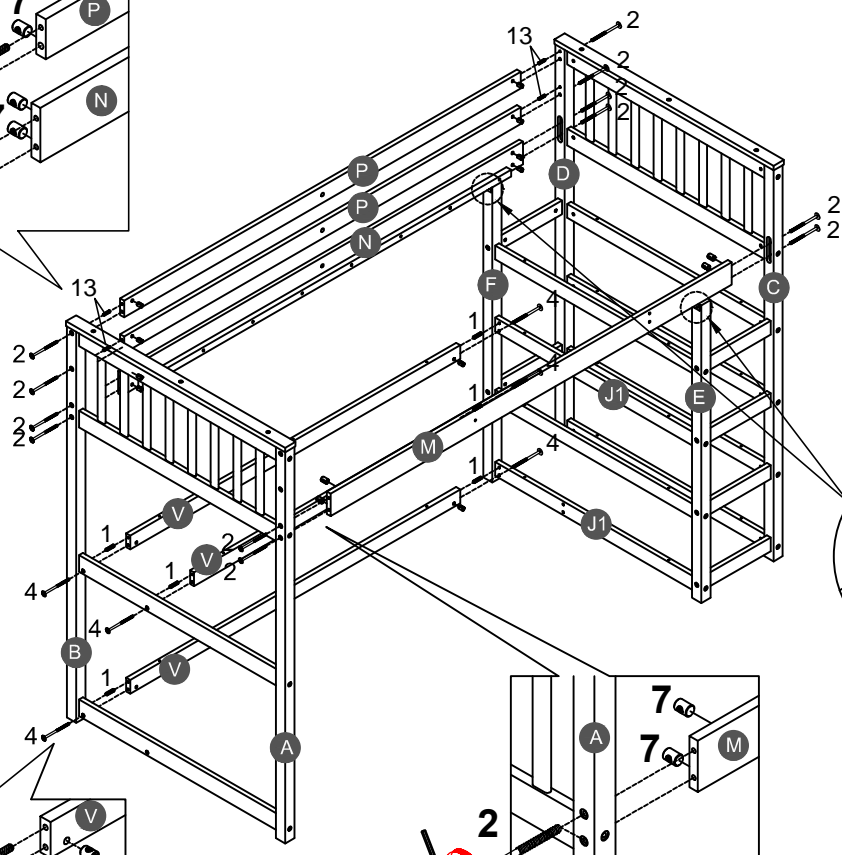
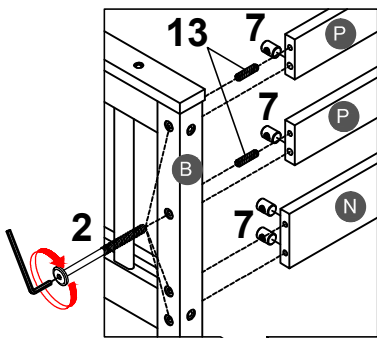


3		7		12	
12PCS		12PCS		2PCS	


10	
2PCS	

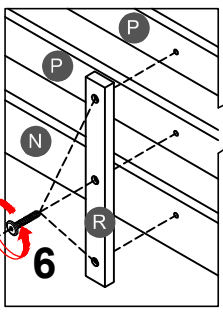
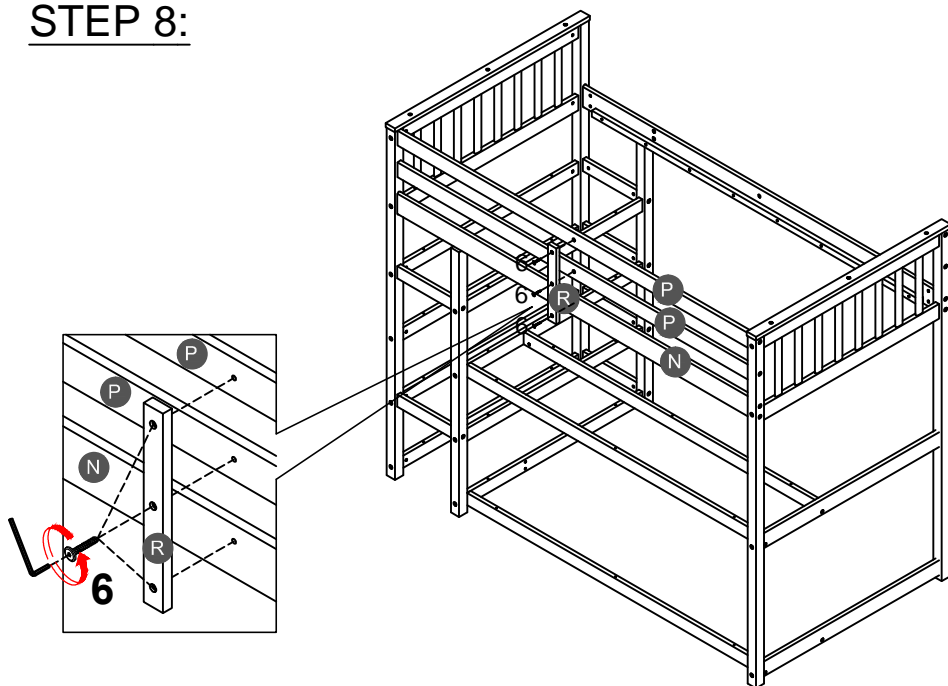
STEP 7:

1		2		4		7	
6PCS		12PCS		6PCS		18PCS	
						10	
						2PCS	
						13	
						4PCS	

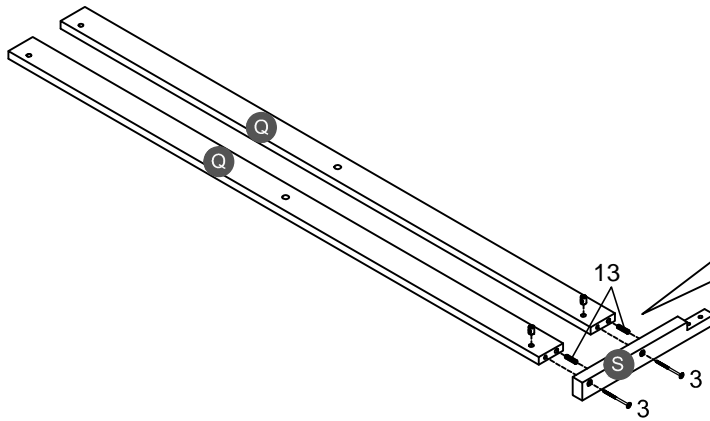


STEP 8:

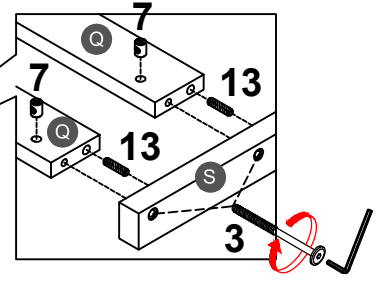
6	
3PCS	



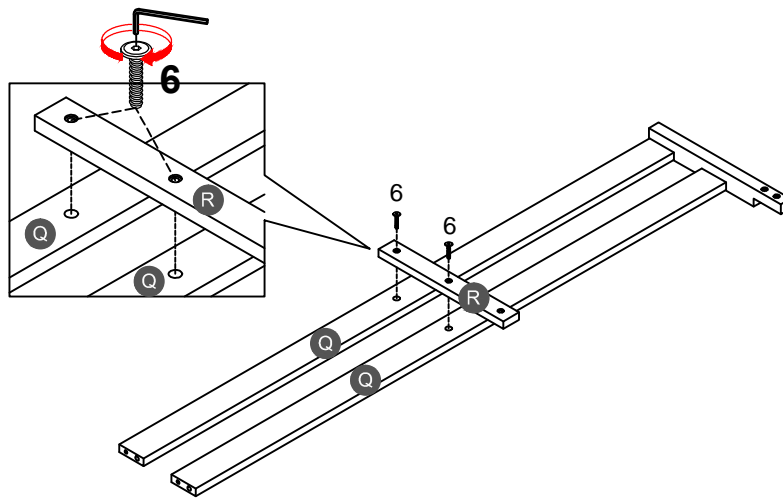
STEP 9:



13		3		7	
2PCS		2PCS		2PCS	

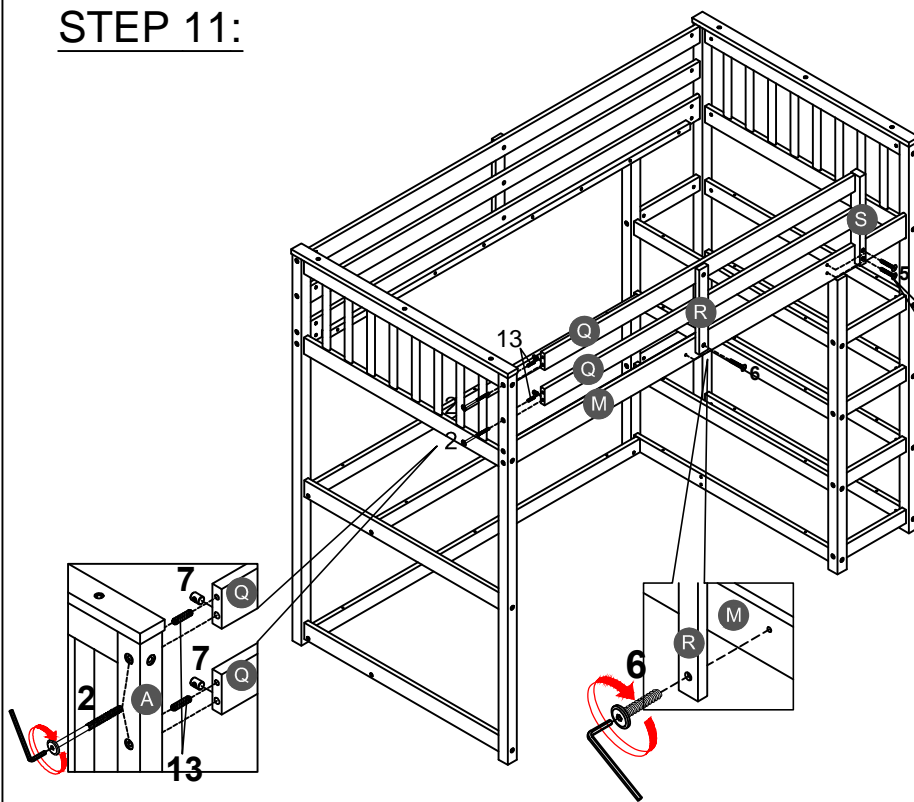


STEP 10:



6	
2PCS	

STEP 11:

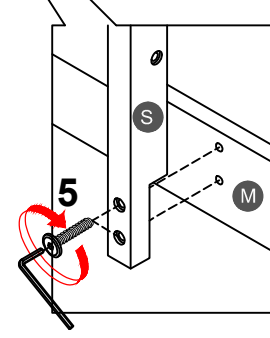


2		5	
2PCS		2PCS	

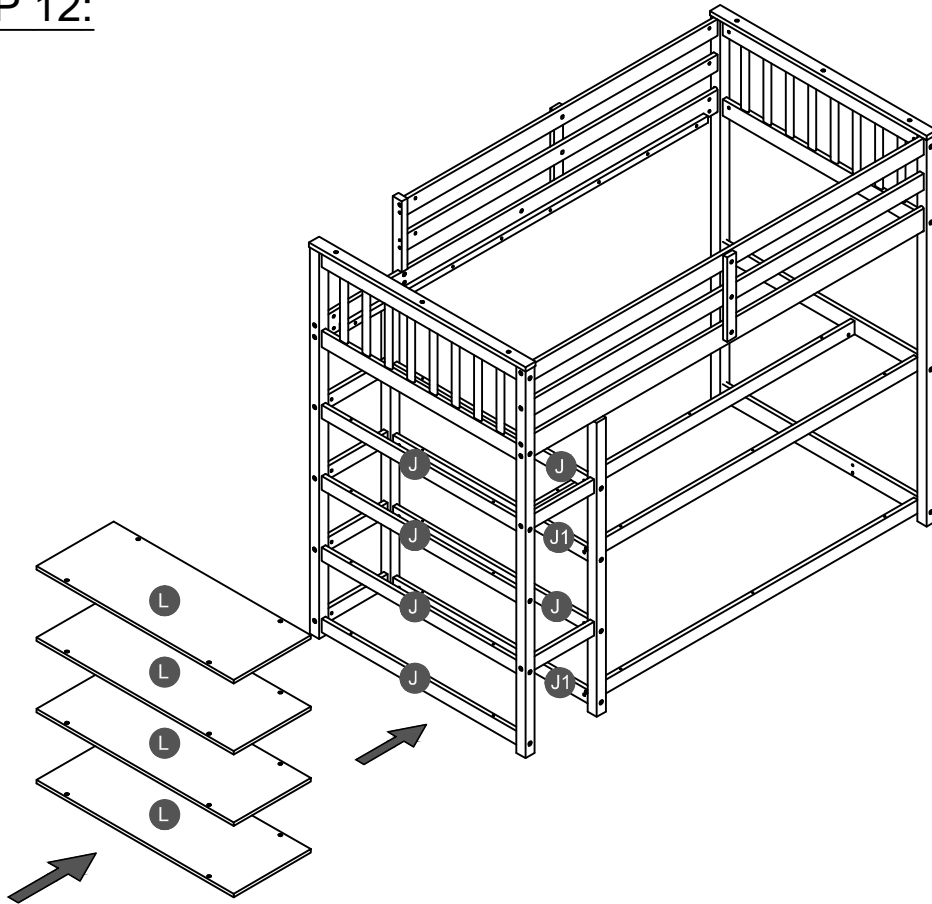
6	
1PC	

7	
2PCS	

13	
2PCS	



STEP 12:

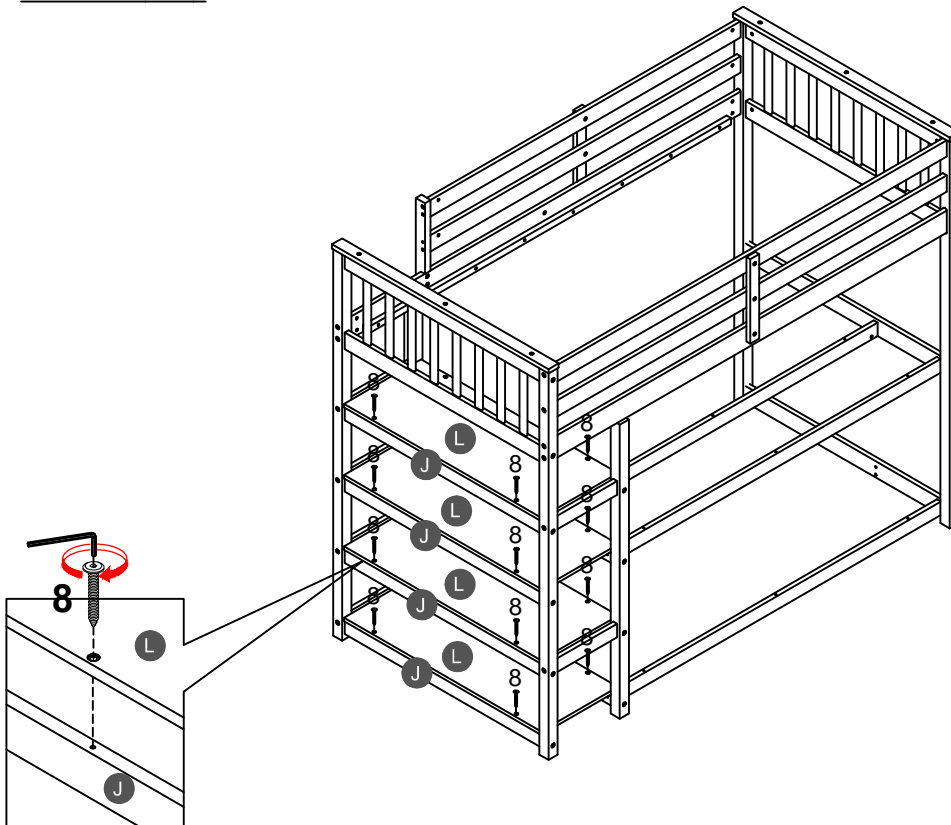


STEP 13:

8



16PCS

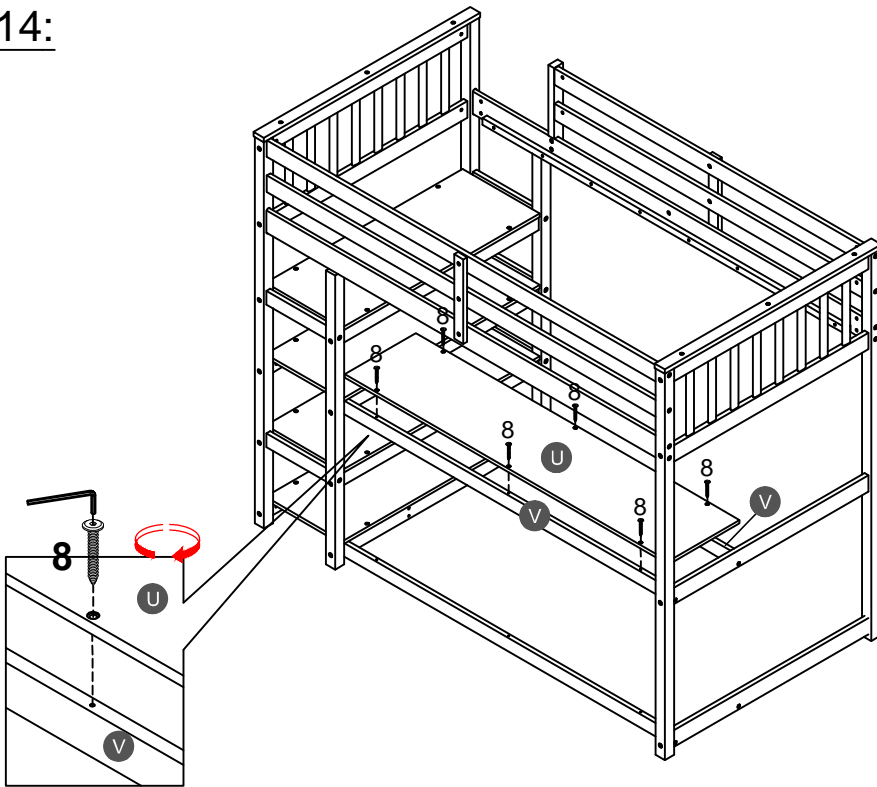


STEP 14:

8



6PCS

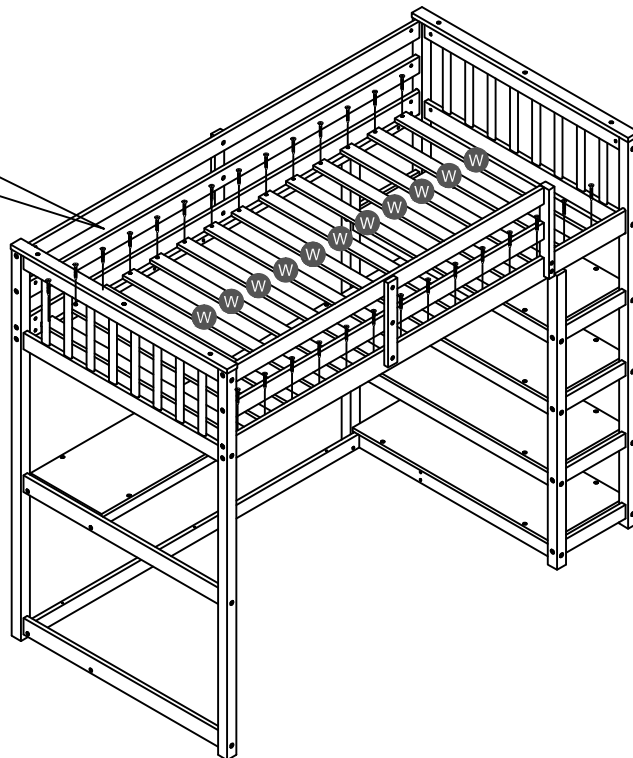
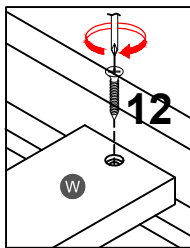


STEP 15:

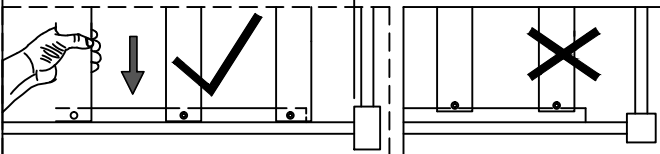
12



28PCS



3.1" 79mm 3.2" 81.5mm 2.5" 64mm



Note: Do not lock the screws of the bed slats to the outermost edge of the bed slats, you need to leave a certain space at the edges, otherwise it will cause the board to break. Do not lock the bed slats on the edge of the wood, please hold firmly before screwing , hold it in place with one hand, then lock the screw.