

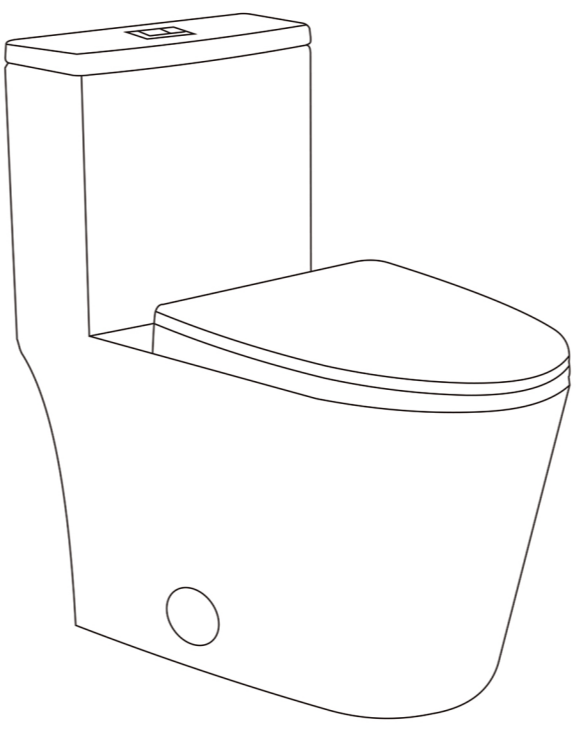
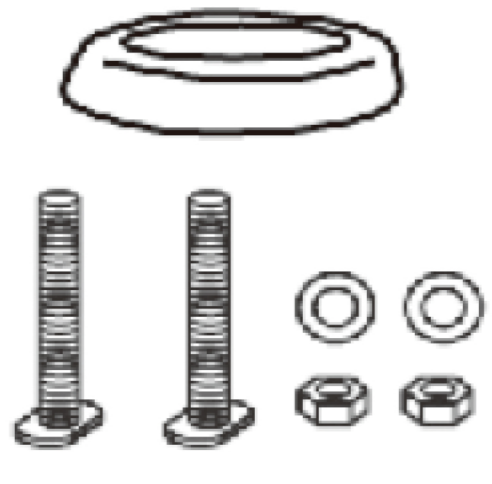
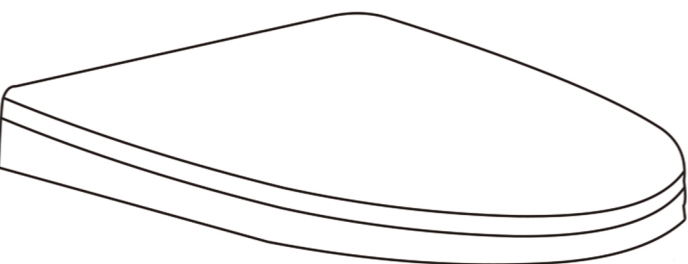
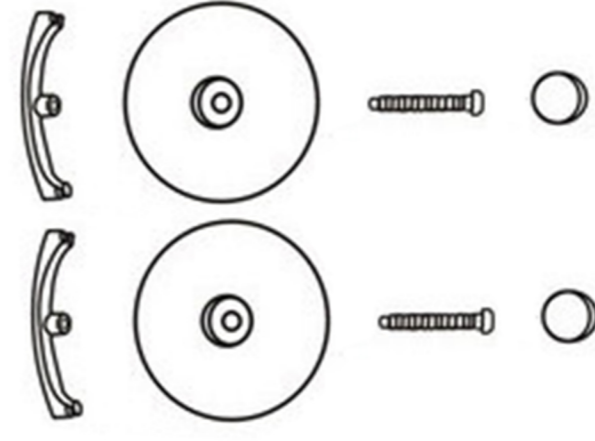
INSTALLATION MANUAL

Casta Diva One-Piece Toilet Elongated Toilet 1.1/1.6 GPF Dual Flush WE05



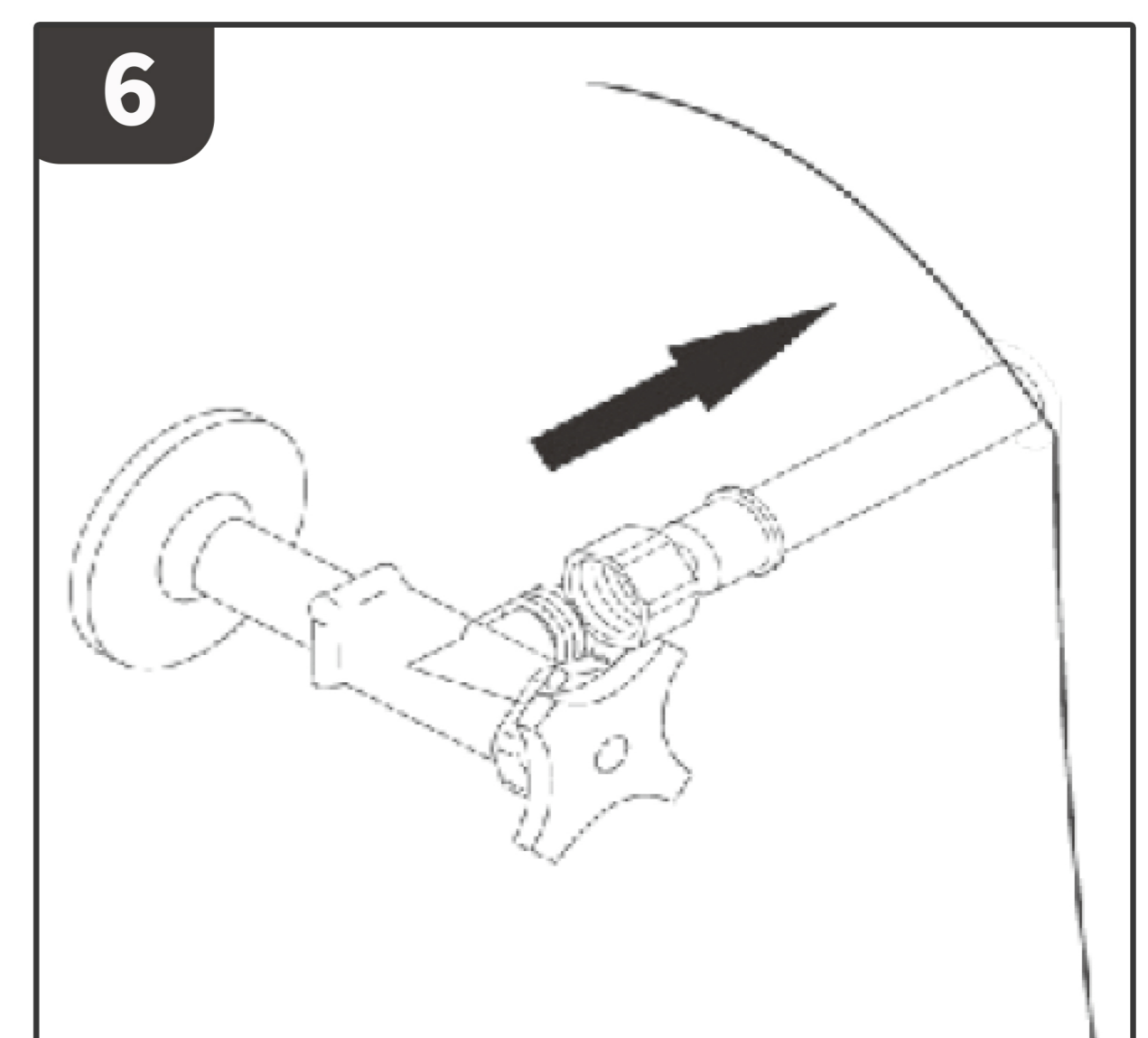
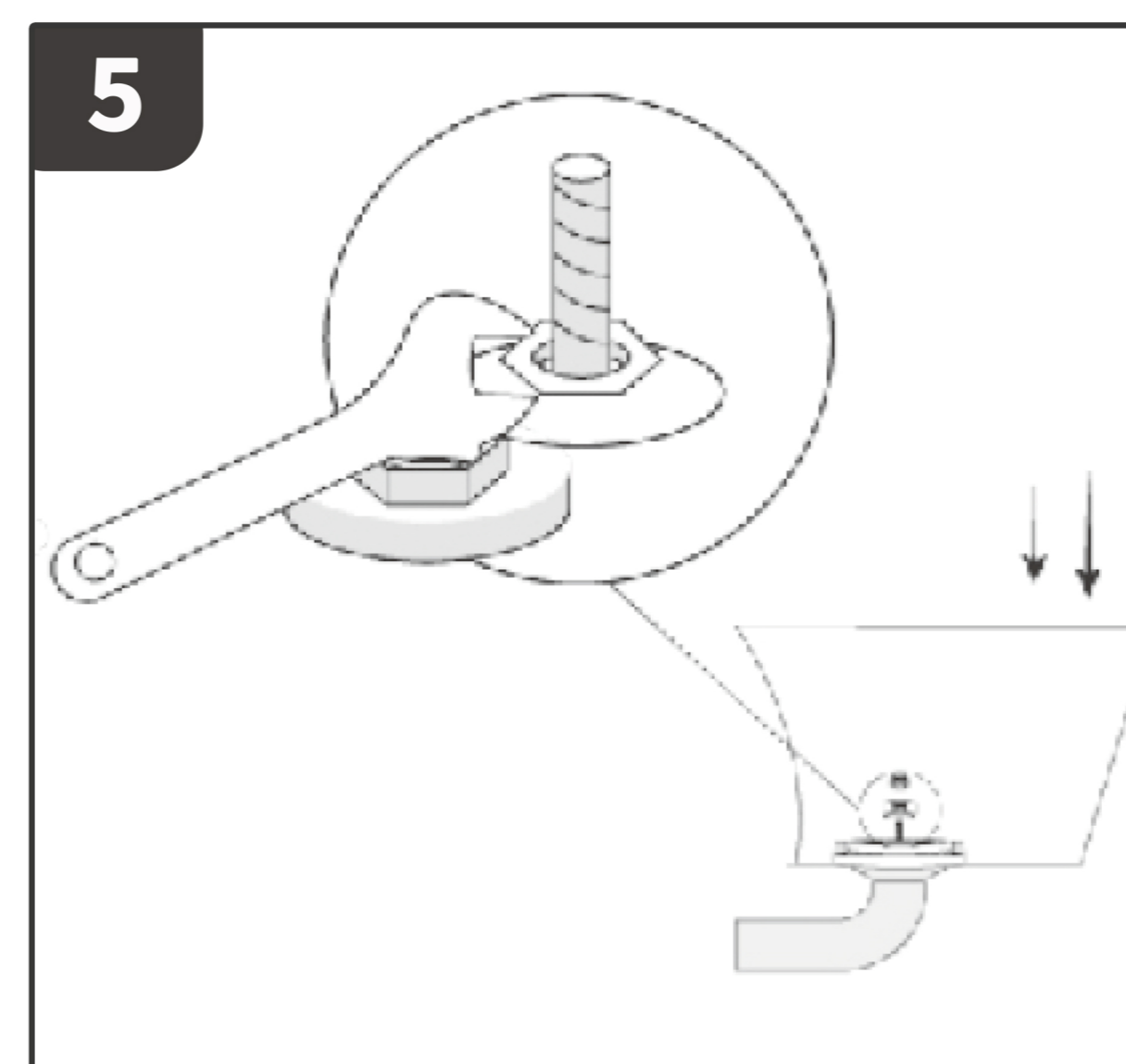
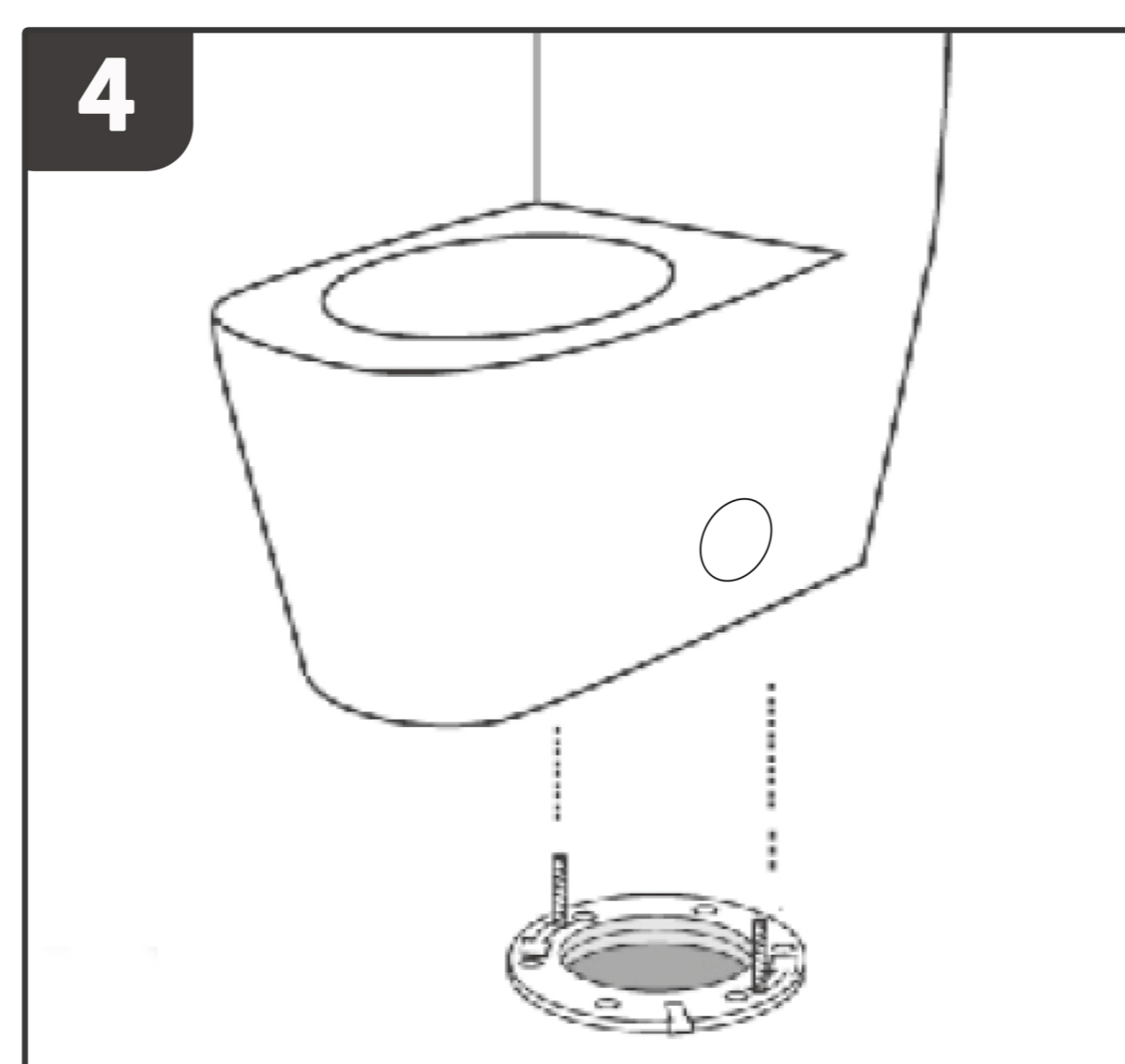
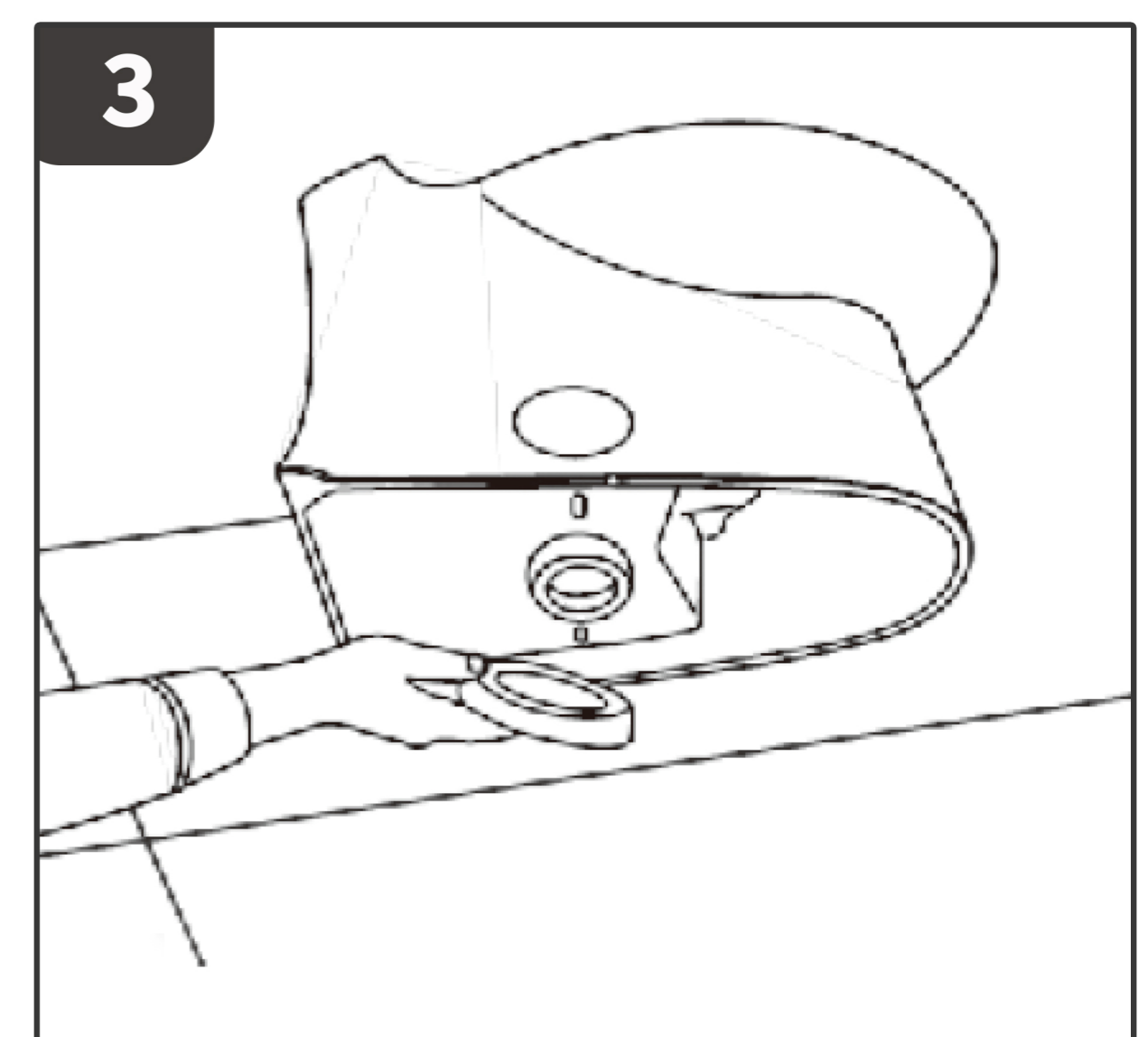
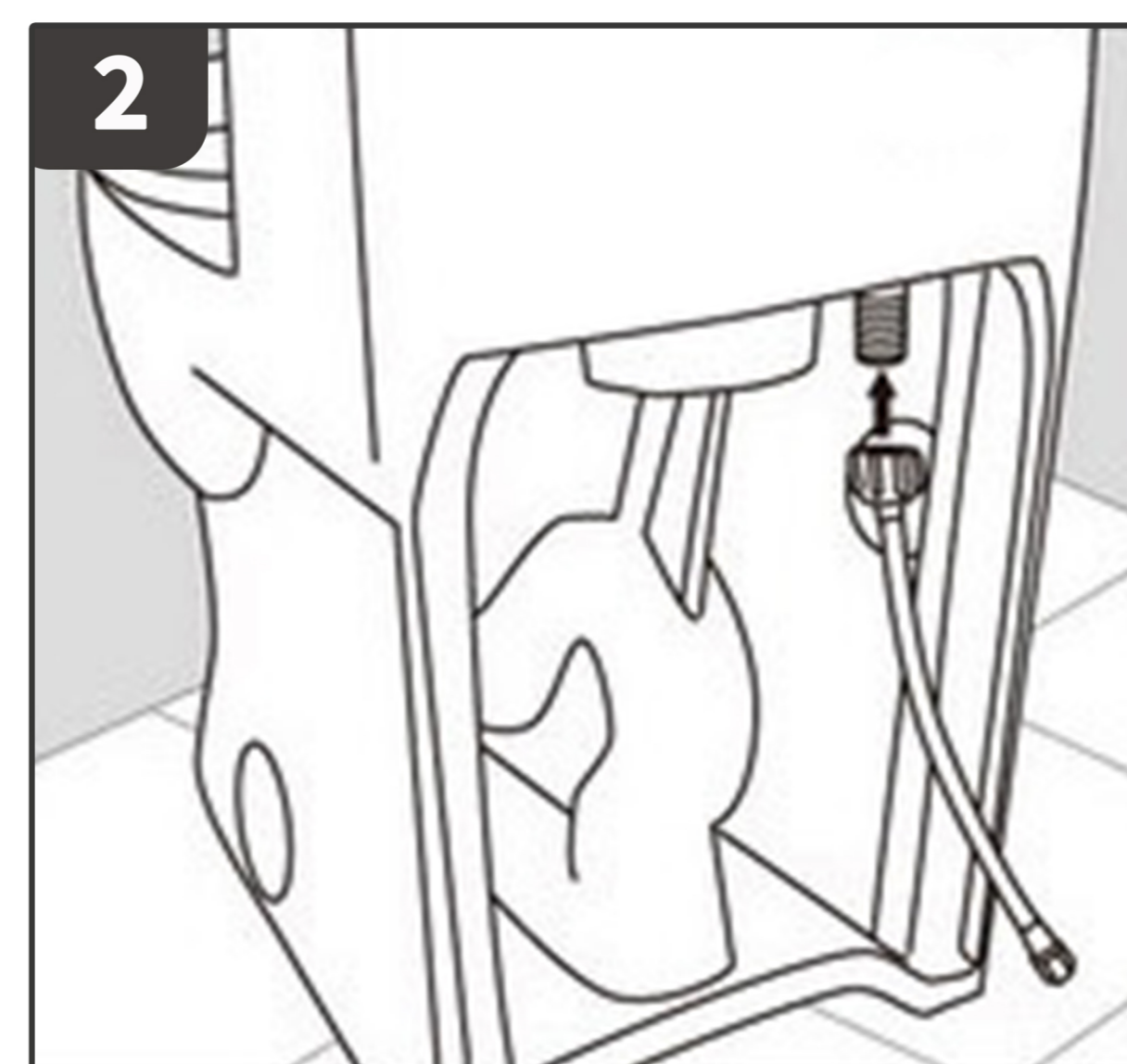
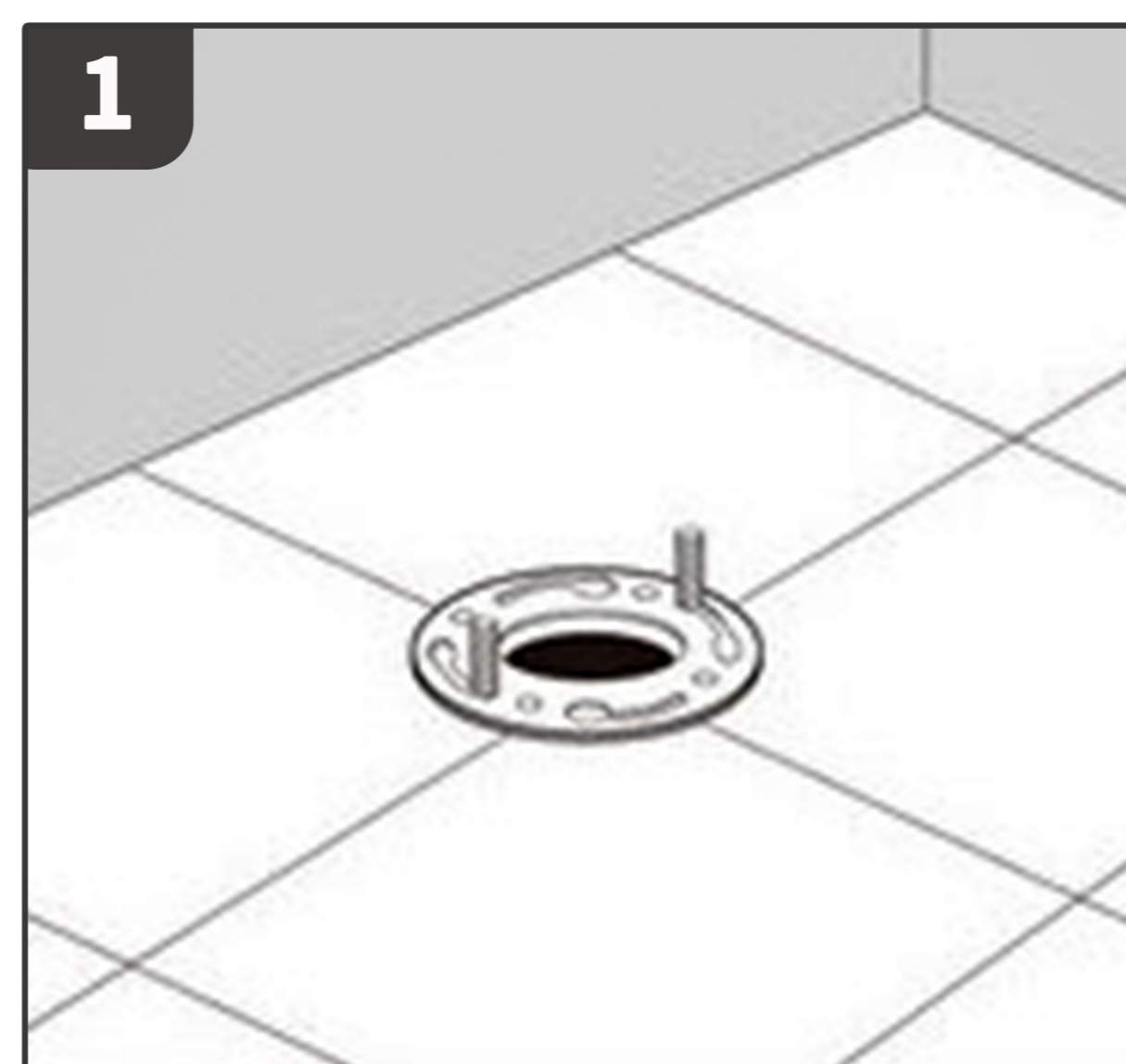
List of Parts

THE TOILET SHOULD INCLUDE THE FOLLOWING PARTS. PLEASE INSPECT BOX CONTENTS TO ENSURE YOU HAVE RECEIVED ALL PARTS.

ITEM	DESCRIPTION	ITEM	DESCRIPTION
	1-piece toilet bowl		Wax ring and flange bolts
	Toilet seat		Cover caps

Toilet Bowl Installation Instructions

- STEP 1**
Install new floor bolts into floor flange.
- STEP 2**
Attach water supply hose to toilet tank and tighten manually. DO NOT connect to water supply valve in this step.
- STEP 3**
Attach wax ring.
- STEP 4**
Place bowl in position.
- STEP 5**
Install washers & nuts. Tighten the bolts alternately until toilet is firmly seated on the floor.
- STEP 6**
Install side plastic cover caps and connect water supply. (water supply hose not included)



Toilet Seat Installation Instructions

- STEP 1**
Insert the expansion nuts into mounting holes.
- STEP 2**
Insert the bolts into expansion nuts.
- STEP 3**
Tighten the screws but not to the end.
- STEP 4**
Adjust the toilet seat to perfect fit. Then tighten bolts.
- STEP 5**
Insert the toilet seat into the hing base.
- STEP 6**
Press the quick-release buttons to remove and re-install the seat for cleaning.

