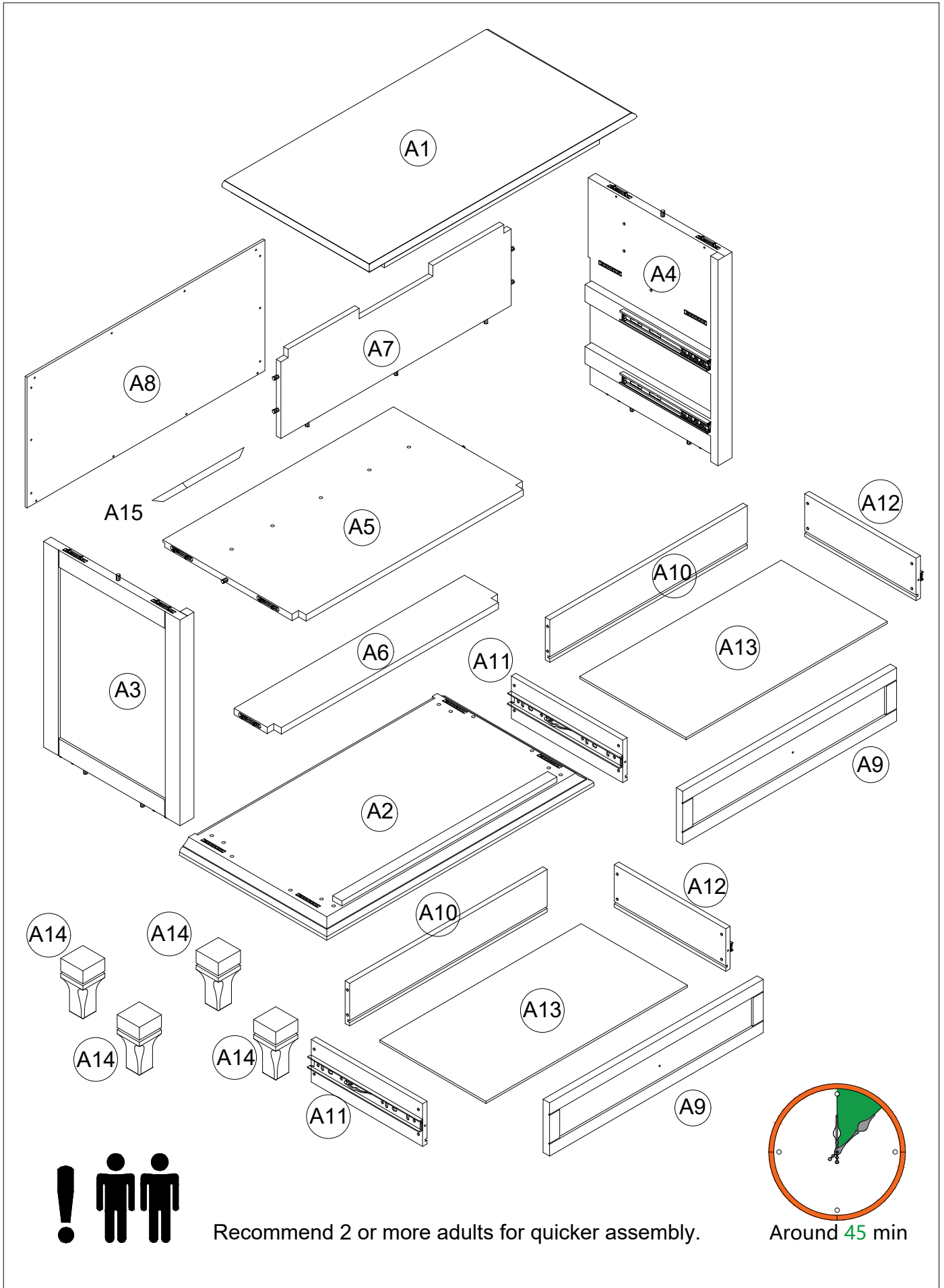


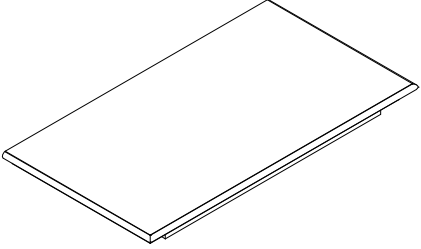
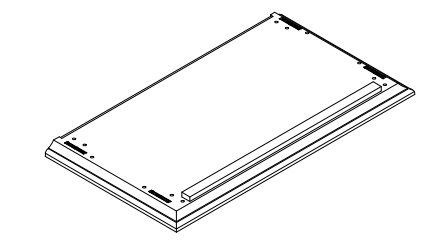
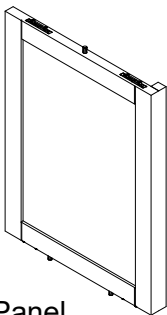
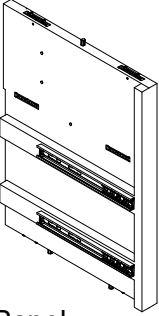
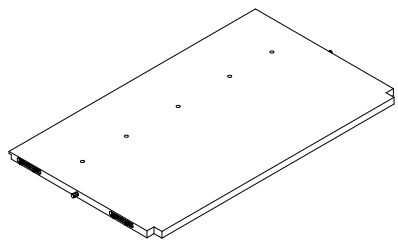
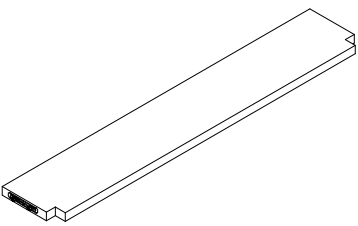
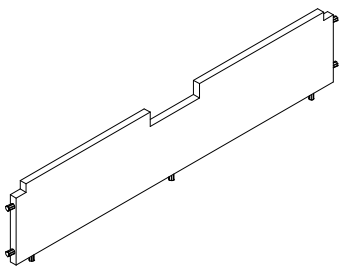
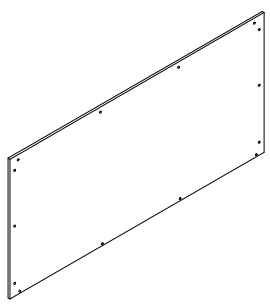
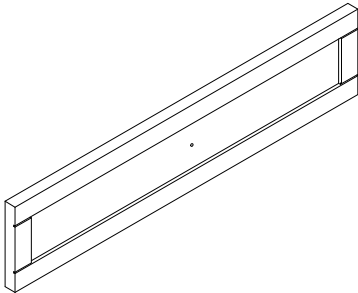
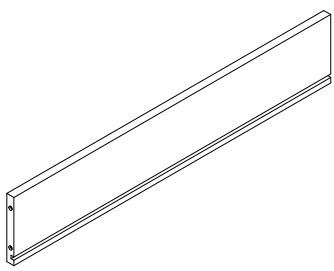
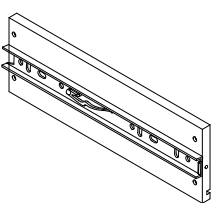
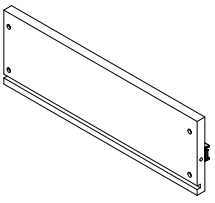
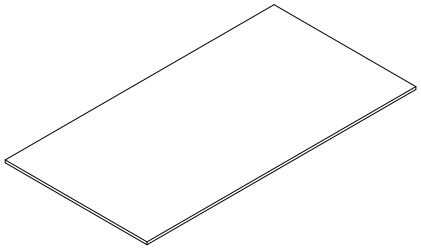
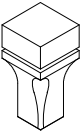
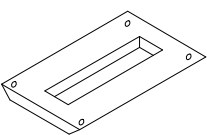


Thank you for purchasing the 2 Drawers End Table With Built In Outlets,USB+Type_C,LED light. Please read the instructions and warnings carefully before use, to ensure safe and satisfactory operation of this product. We are committed to making great products possible. From our in-house Design Team, to our Buyers, we work together to bring great designs to life. Our expert Product Technologists work collaboratively with our buyers and suppliers to assure the legality, safety and quality of the product we sell. We are all committed to designing and developing products to the highest industry standards. We hope you are happy with your product and welcome any feedback or comments you may have.

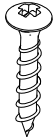
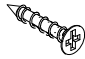
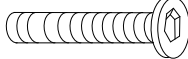
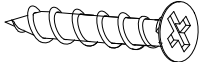
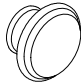
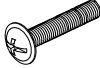
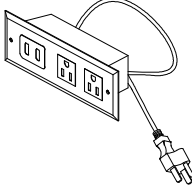

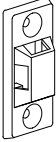

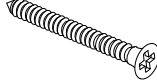
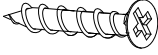
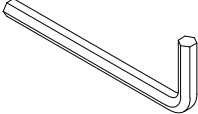
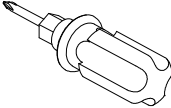
Exploded Diagram




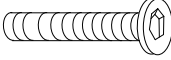
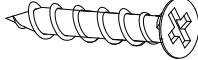
PARTS LIST

<p>A1 x1</p>  <p>Top Panel</p>	<p>A2 x1</p>  <p>Bottom Panel</p>	<p>A3 x1</p>  <p>Left Side Panel</p>
<p>A4 x1</p>  <p>Right Side Panel</p>	<p>A5 x1</p>  <p>Front rail</p>	<p>A6 x1</p>  <p>Front rail</p>
<p>A7 x1</p>  <p>Vertical Panel</p>	<p>A8 x1</p>  <p>Back Panel</p>	<p>A9 x2</p>  <p>Drawer Front</p>
<p>A10 x2</p>  <p>Drawer back</p>	<p>A11 x2</p>  <p>Drawer Side Left</p>	<p>A12 x2</p>  <p>Drawer Side Right</p>
<p>A13 x2</p>  <p>Drawer Bottom</p>	<p>A14 x4</p>  <p>Leg</p>	<p>A15 x1</p>  <p>Socket Panel</p>

HARDWARE LIST



B1 x14  Screw Ø3*15MM	B2 x2  Screw Ø3*12MM	B3 x8  Allen Bolt Ø1/4"x 50MM	B4 x22  Screw Ø4*25MM
B5 x2  Knob	B6 x2  Knob Bolt Ø5/32"x18MM	B7 x1  Socket	B8 x1  Tie
B9 x2  Bracket	B10 x2  Anchor	B11 x2  Screw Ø4*38MM	B12 x2  Screw Ø3*20MM
B13 x1  Allen Wrench	B14 x1  Screw driver		

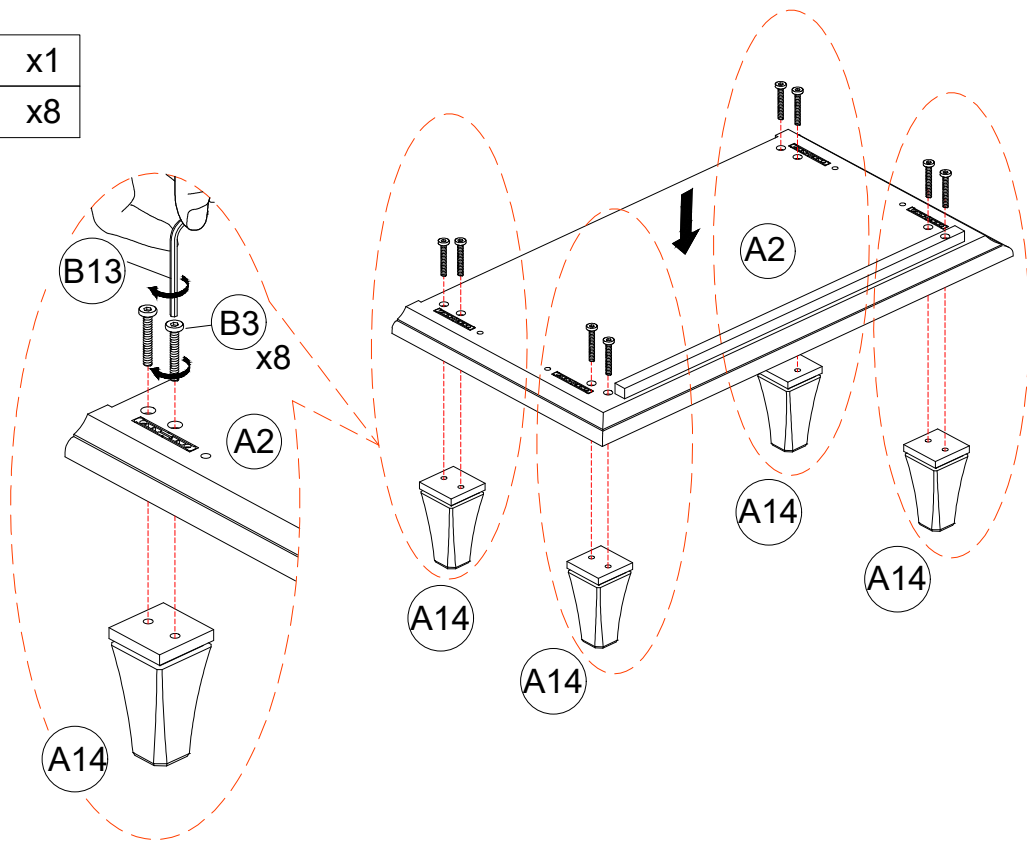
SPARE LIST

B1 x1  Screw Ø3*15MM	B3 x1  Allen Bolt Ø1/4"x 50MM	B4 x2  Screw Ø4*25MM	
--	---	---	--

Be sure to check all packing material carefully for small parts, which may have come loose inside the carton during shipment.


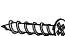
STEP 1

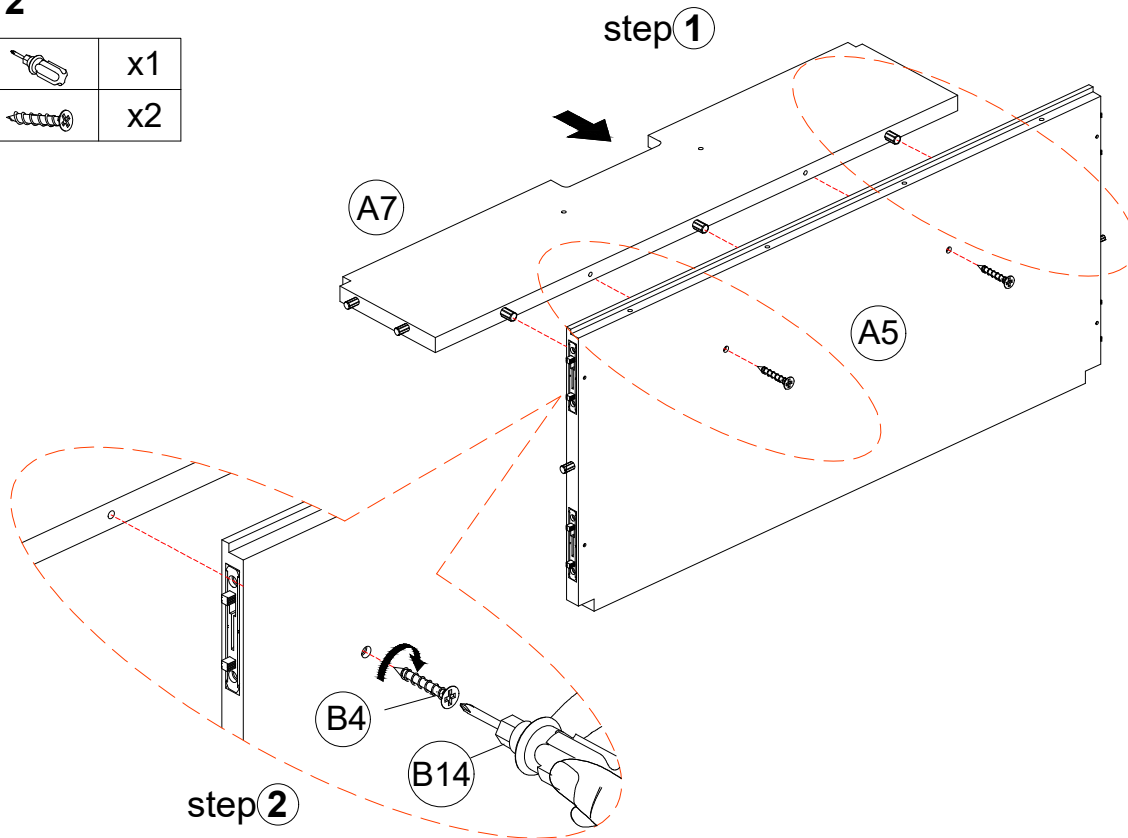
B13		x1
B3		x8



Attach leg(A14) to bottom panel(A2) with bolt(B3) , tight it with Allen wrench(B13).


STEP 2

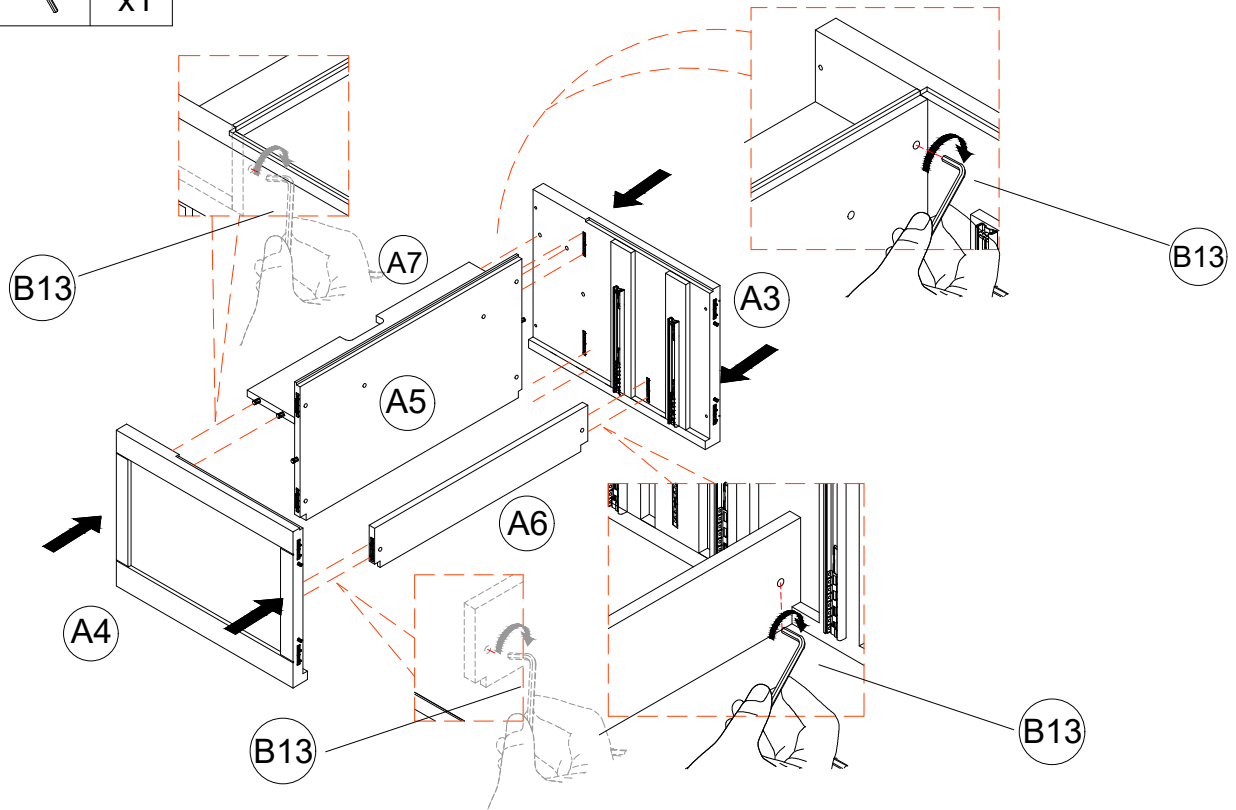
B14		x1
B4		x2



Attach part(A5) to part(A7) with screw(B4) , tight it with screwdriver(B14).

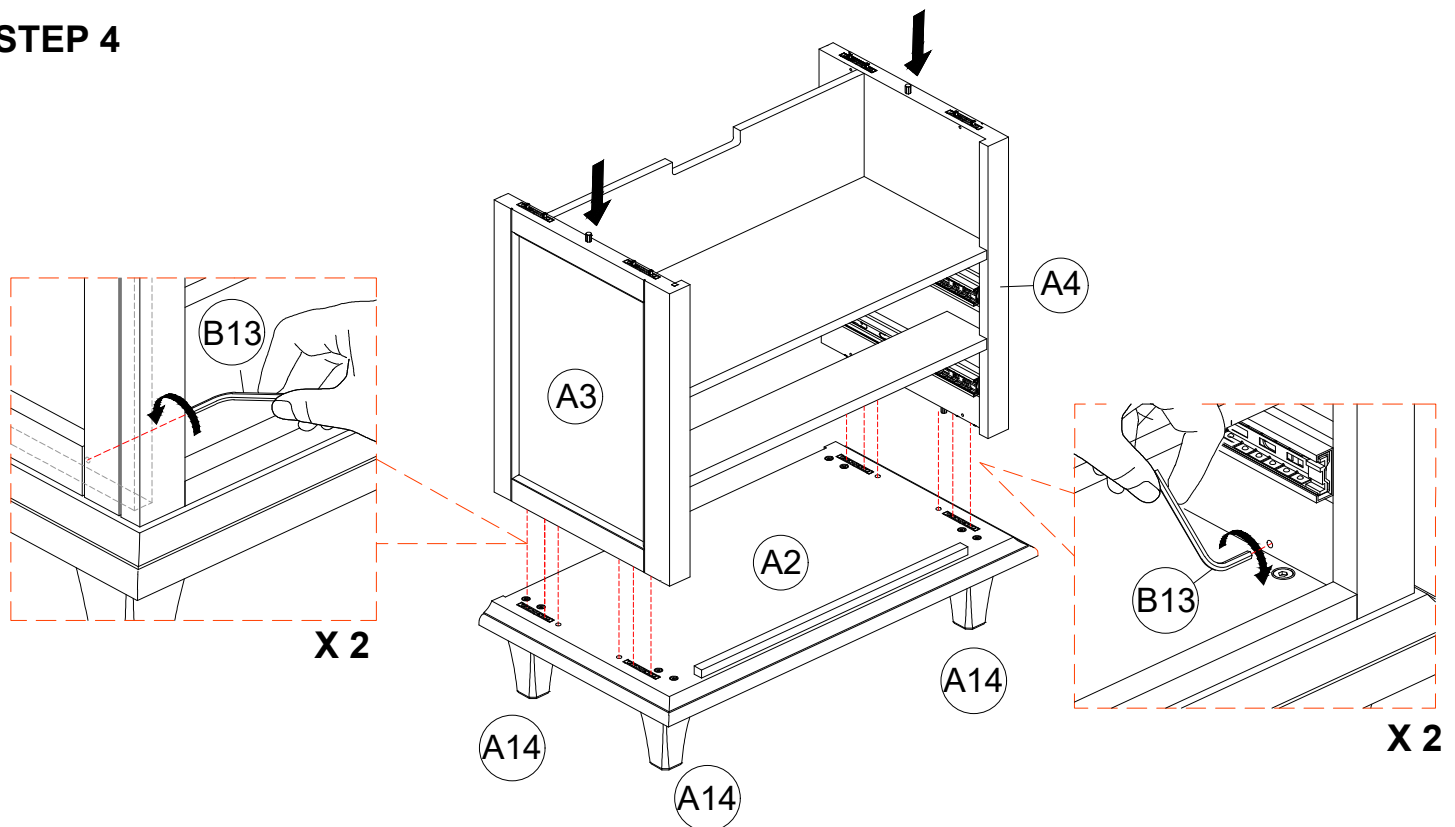
STEP 3

B13  x1





Insert part(A5/A6/A7) into the corresponding hole of part(A3/A4).
make sure all holes aligned and use allen key (B13) to tighten it as picture show.

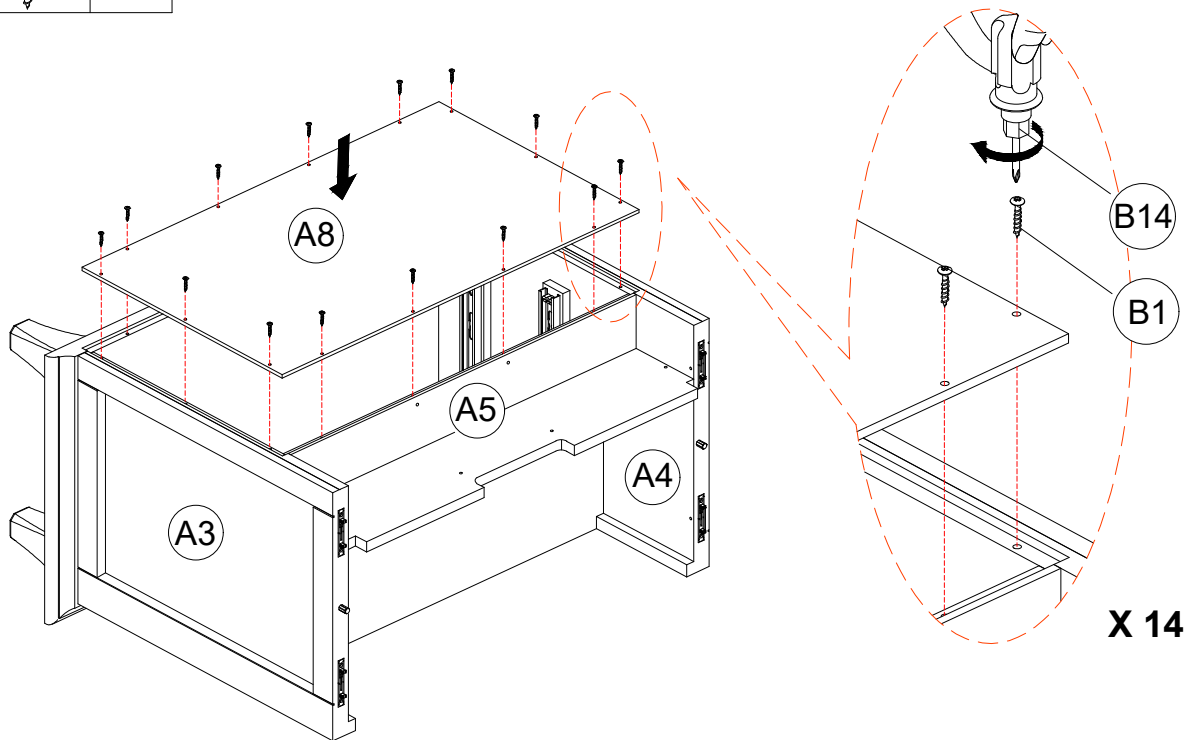
STEP 4




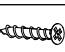
Insert the unit pre-assembled at step 3 into the corresponding hole of part(A2).
make sure all holes aligned and use allen key (B13) to tighten it as picture show.

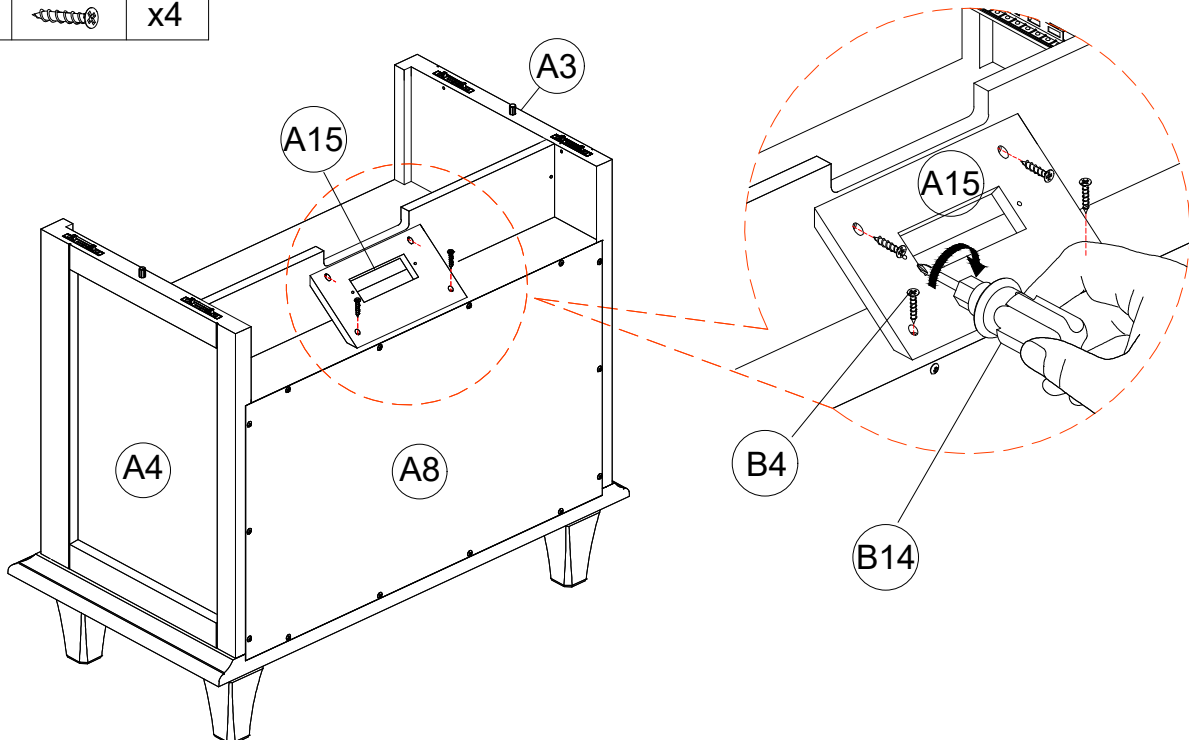
STEP 5

B14		x1
B1		x14






STEP 6

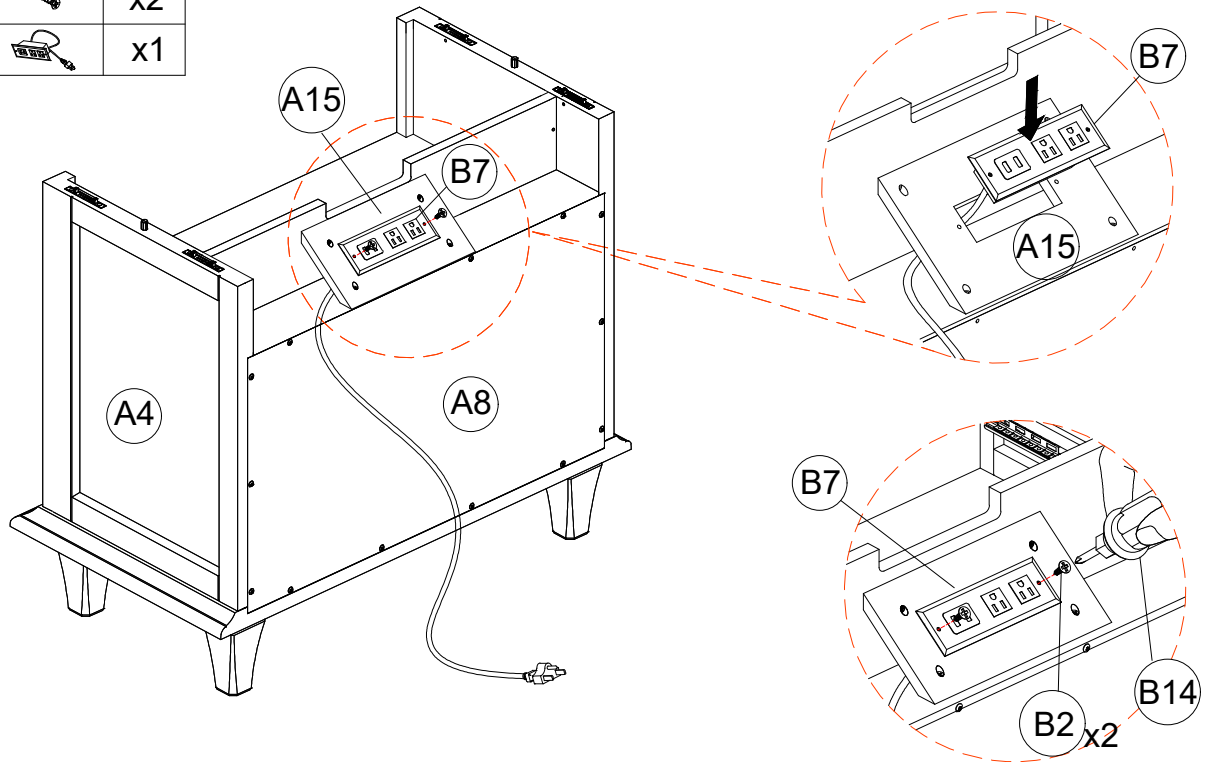
B14		x1
B4		x4



Attach part (A15) to the unit pre-assembled at step 5 with screw(B4), tight screw with screwdriver(B14).

STEP 7

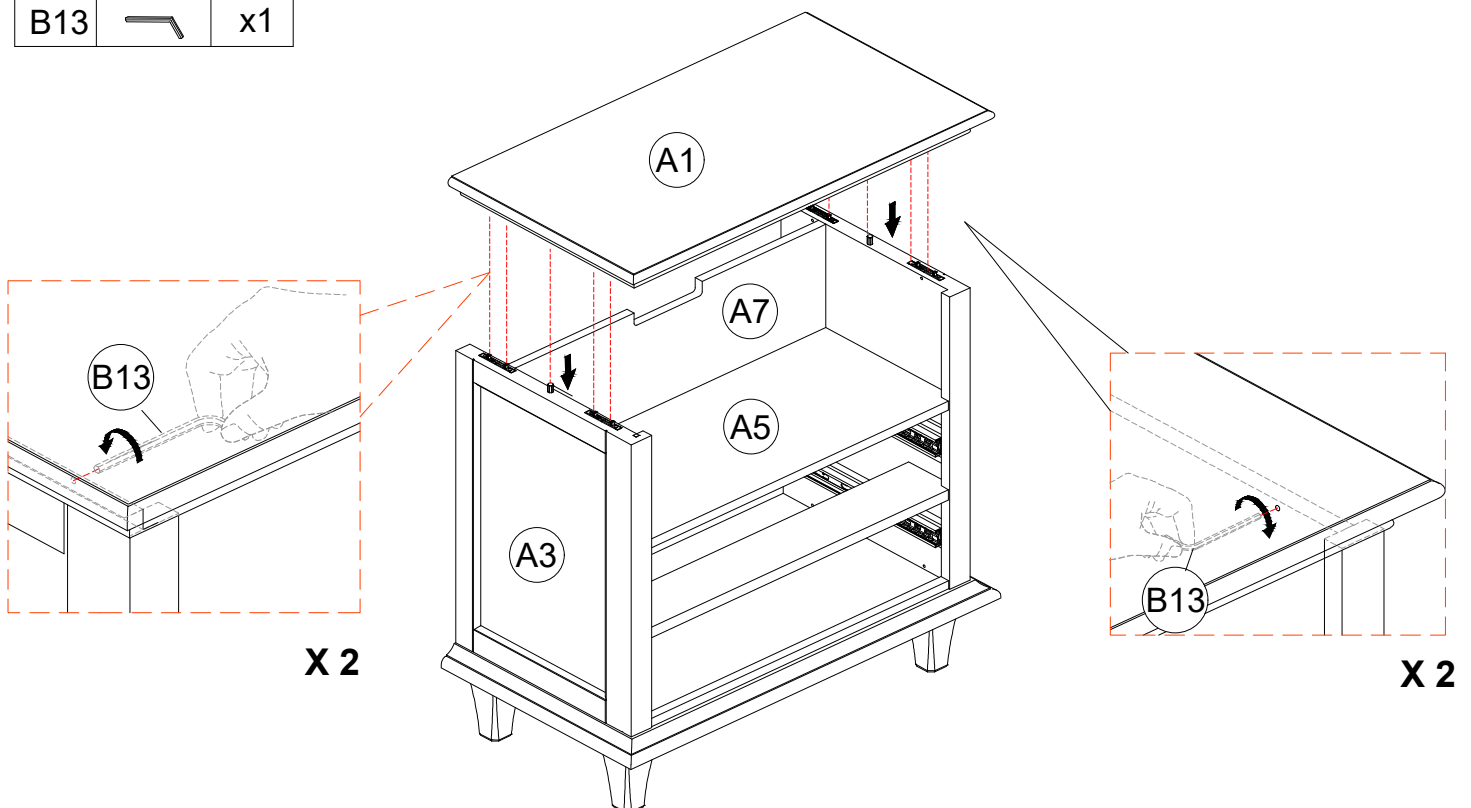
B14		x1
B2		x2
B7		x1



Attach part(B7) to part(A15) with screw(B2), tight screw with screwdriver(B14).


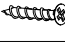
STEP 8

B13		x1
-----	---	----

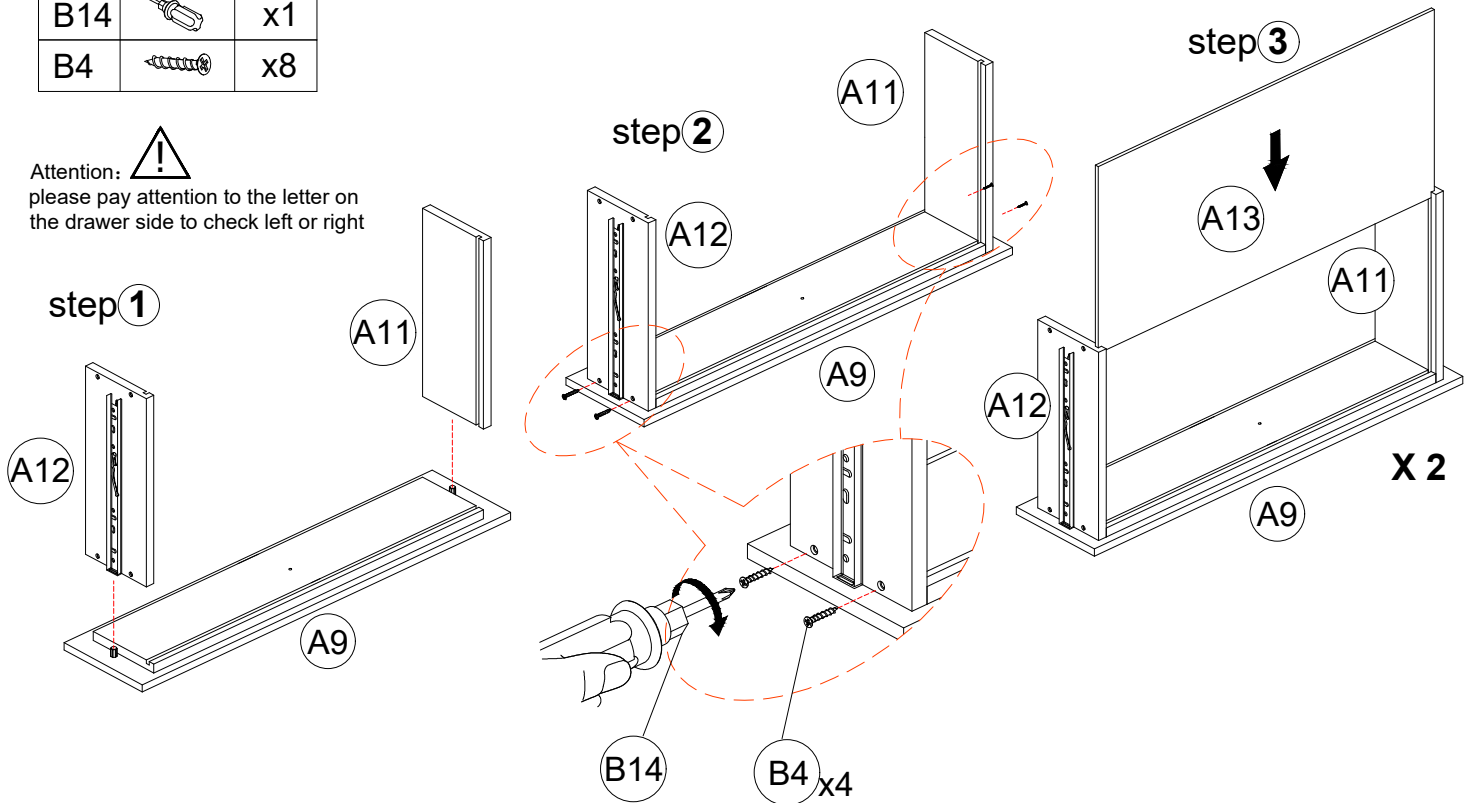


Insert the unit pre-assembled at step 7 into the corresponding hole of part(A1). make sure all holes aligned and use allen key (B13) to tighten it as picture show.

STEP 9





B14		x1
B4		x8

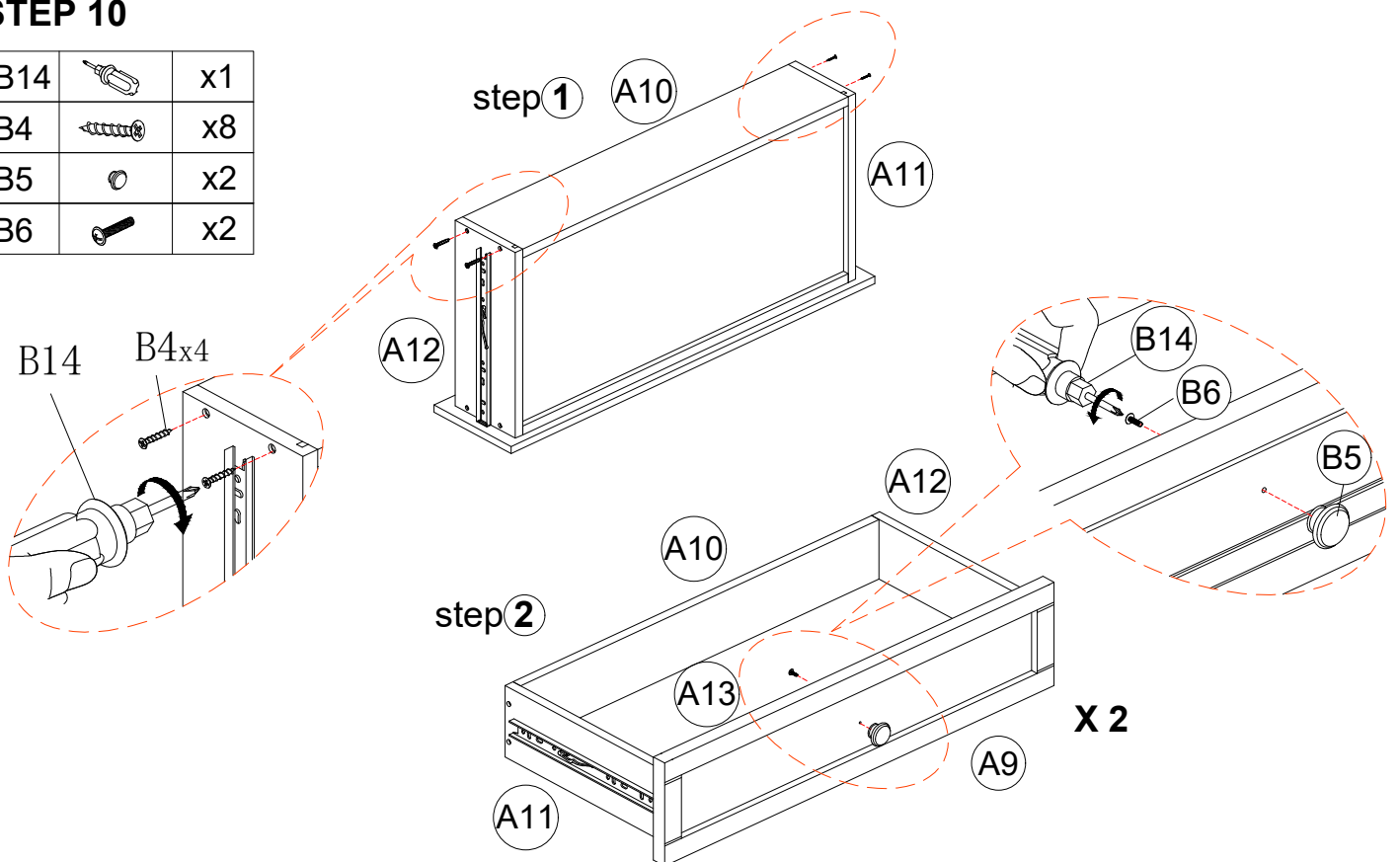
Attention: 
 please pay attention to the letter on
 the drawer side to check left or right



Attach part (A11/A12) to part(A9) with screw(B4), tight screw with screwdriver(B14), slide part(A13) to part (A11/A12), make sure it also in the groove of part(A9).


STEP 10

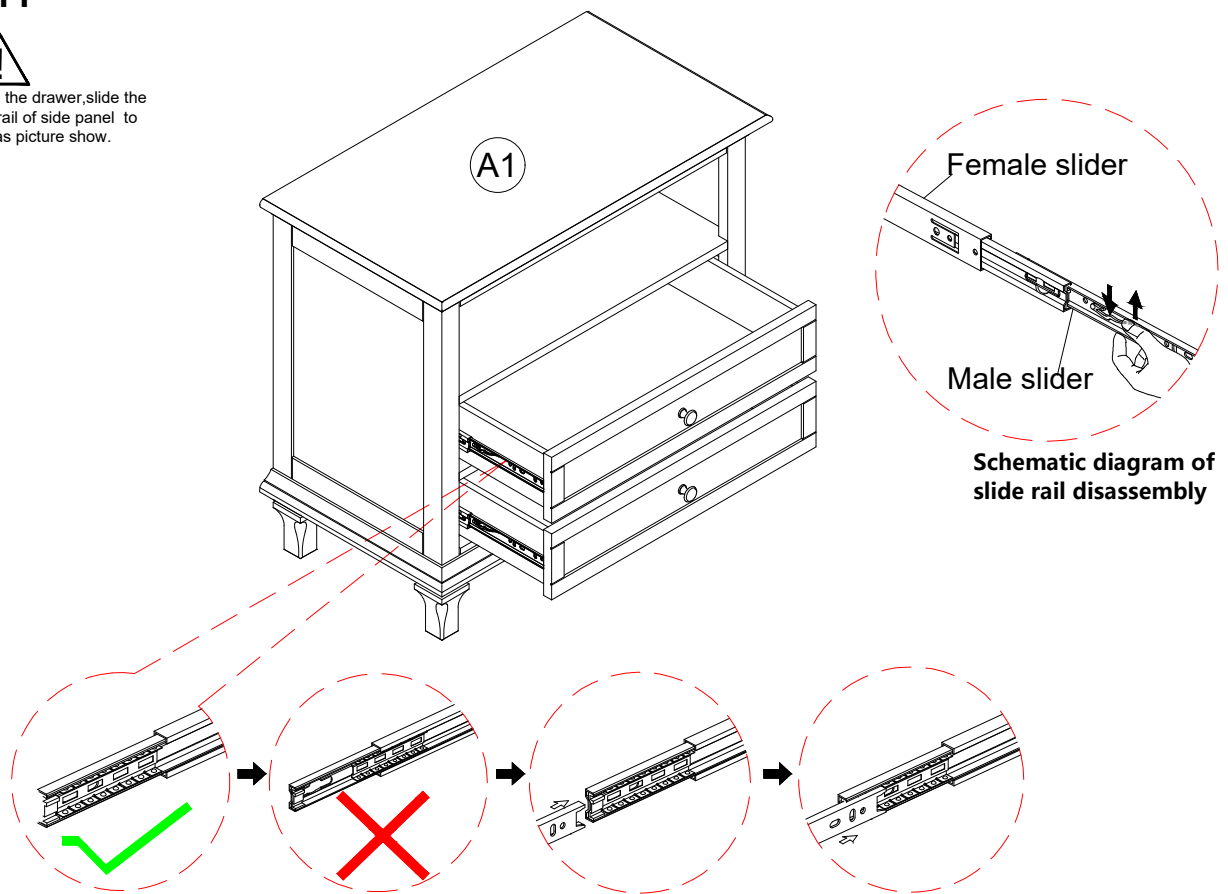
B14		x1
B4		x8
B5		x2
B6		x2




Attach part(A11/A12) to part (A10) with screw(B4), tight screw with screwdriver(B14), attach part(B5) to part (A9) with bolt (B6), tight bolt with screwdriver(B14).

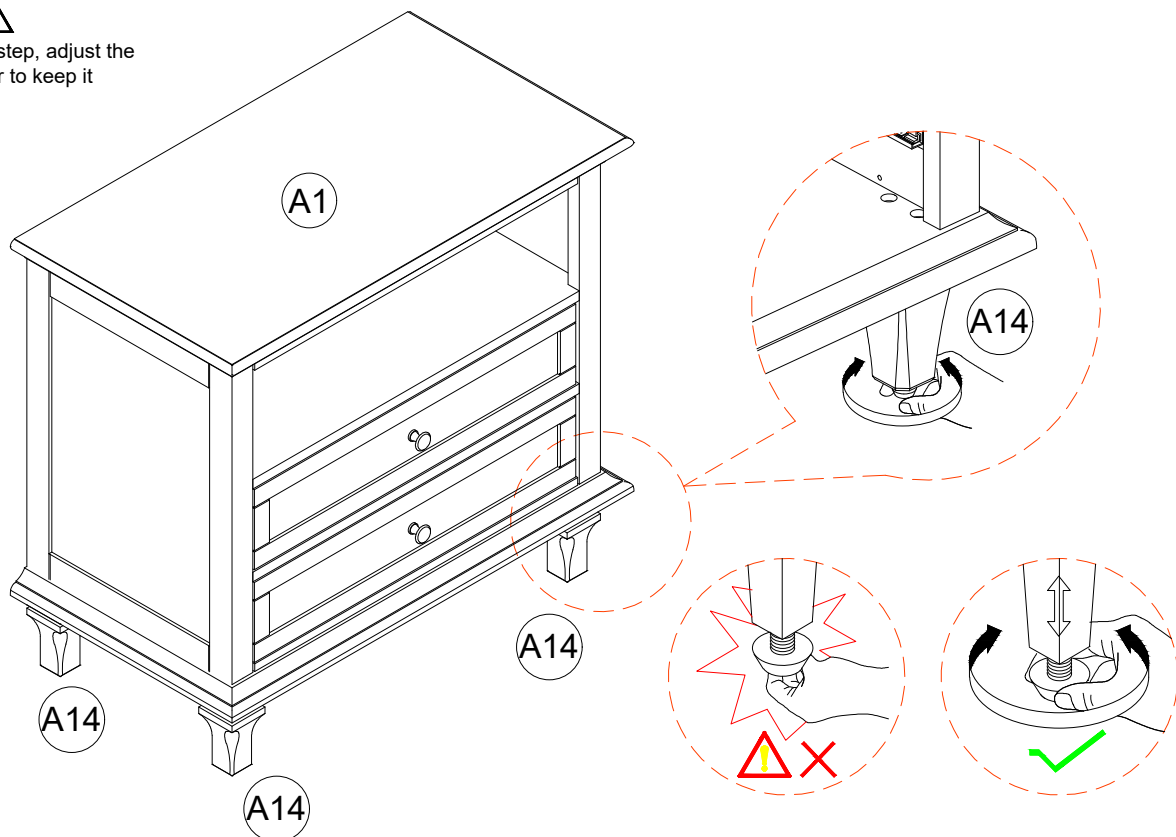
STEP 11

Attention: 
When installing the drawer, slide the steel ball slide rail of side panel to the most front as picture show.

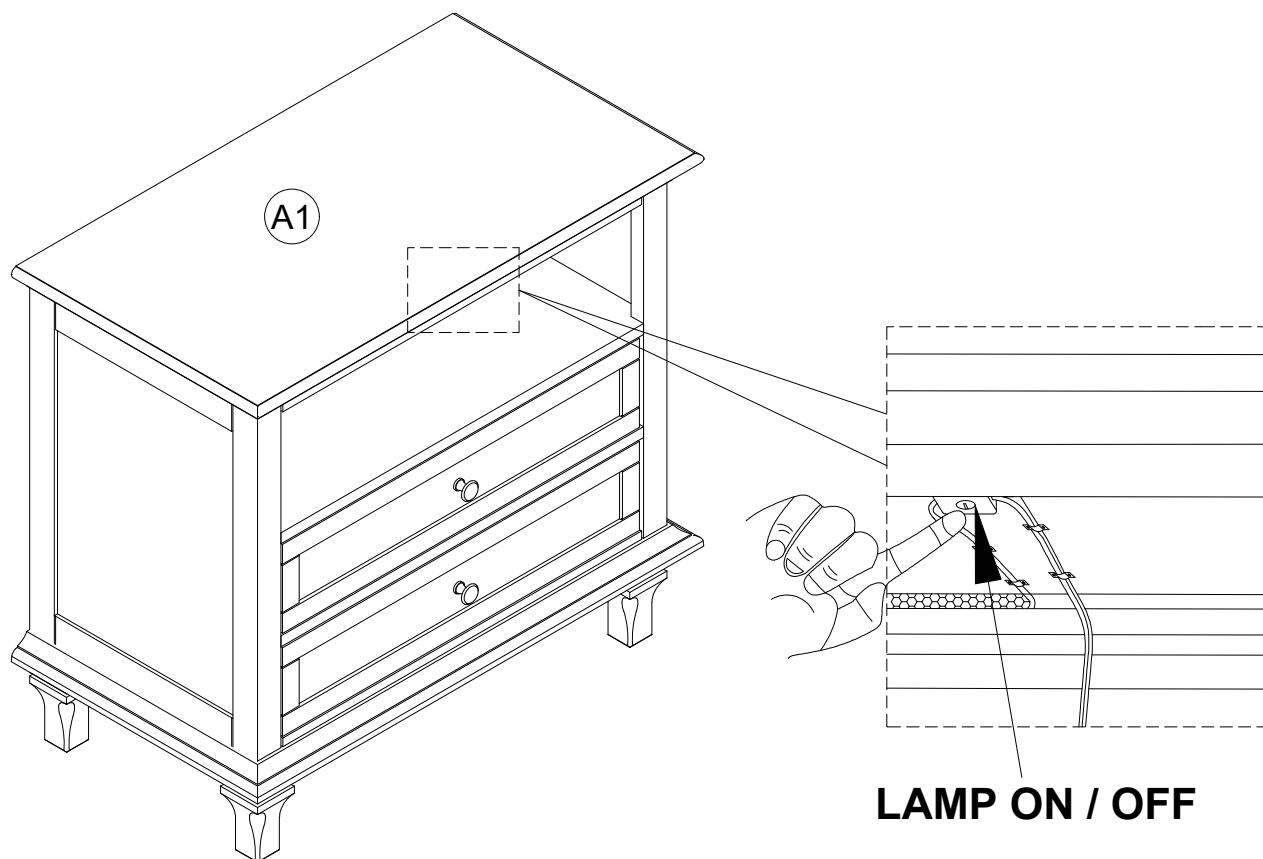


STEP 12

Attention: 
Before the next step, adjust the feet of the locker to keep it level.






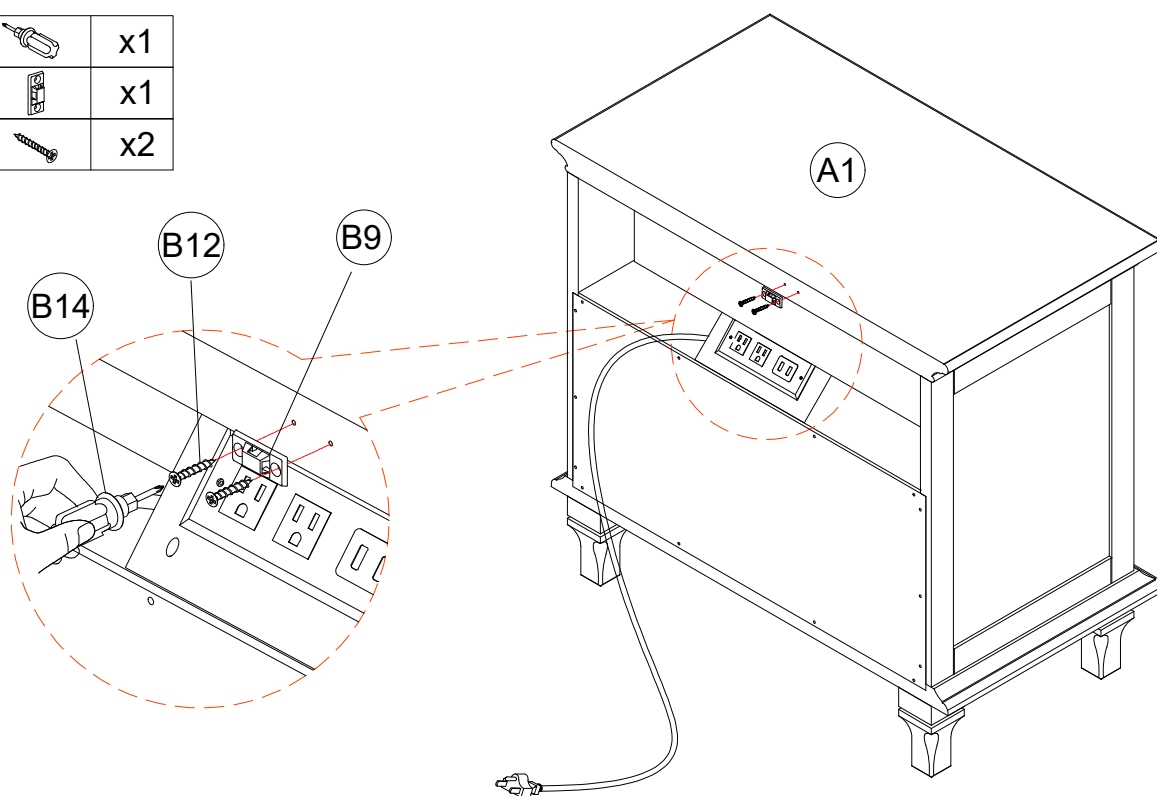
STEP 13



You can turn on/of the lamp by push the button under the top panel.


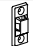

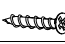
STEP 14

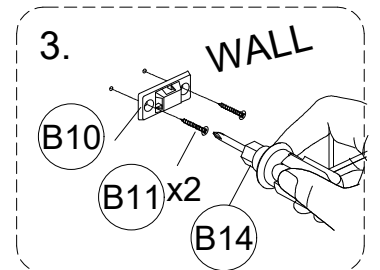
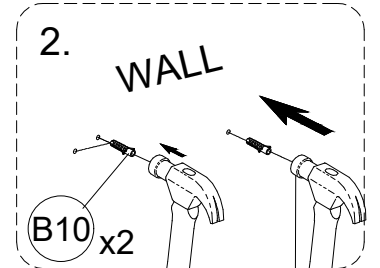
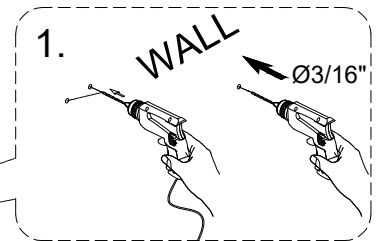
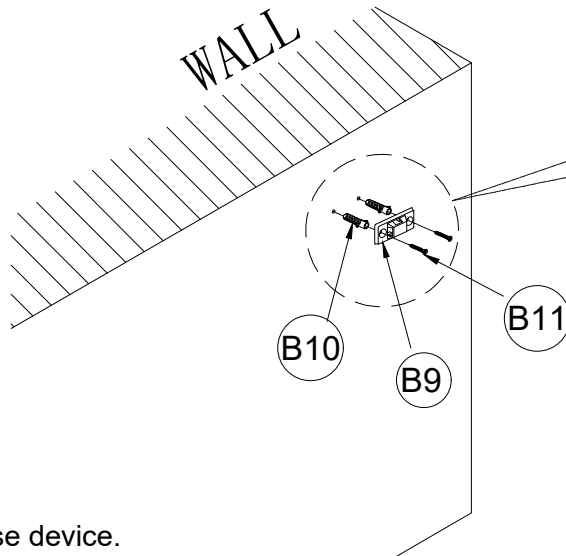
B14		x1
B9		x1
B12		x2



Attach part(B9) to part (A1) with screw(B12), tight screw with screwdriver(B14).

STEP 15

B14		x1
B9		x1
B10		x2
B11		x2



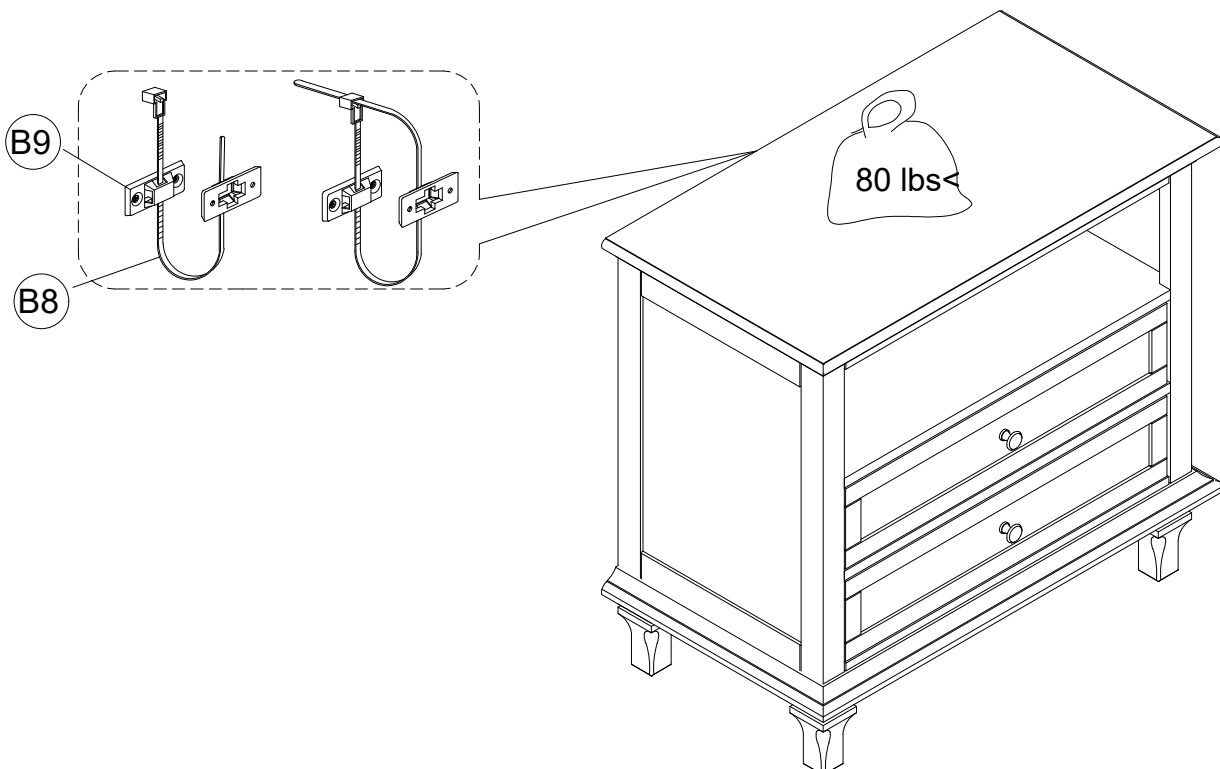
1. Install the anti-collapse device.

2. Mark the position on the wall, that corresponds to the location of part (B9) on the panel (A1); Drill and insert the expandable screw (B10) by hammer.

3. Assemble the part (B9) to the wall. Align the hole in the part (B9) with the expandable screw (B10), use screw (B11) to attach it and tighten by screwdriver (B14).

STEP 16

B8		x1
----	---	----



1. Let the plastic belt (B8) pass through the both bracket (B9) and pull tightly.

MAINTAINANCE AND WARNING

- Keep furniture away from heat.
- Do not clean furniture with harsh cleansers or polish. Do not use detergents, Solvents, abrasives, spray packs or leather cleaner. Use non-color mild soap with warm water clean spills(Mix 1:10 soap to water)
- Do not place furniture under direct sunlight, material will possibly fade over time.
- Do not use on site dry Cleaning machine.
- Children should not climb or jump on the furniture.
- Do not write on furniture without a padded barrier to protect the surface.
- Not for commercial use, For residential use only.
- The maximum load is 150 LBS.

WARRANTY

We strive to offer high , quality products, and we also try our best to satisfy each and every customer that orders from us with product or service as needed. We provide 30 days warranty starting from the time you receive the item. Each customer must provide a record of their order such as the order number, or item receipt for any items that are out of the warranty period you may also still receive replacement parts by purchasing them with our company if they are available.

For return, please check the return policy with the retailer or market place you bought from. Appreciate your purchasing from us. Pop up your life by our furniture piece!