









GREY

ASSEMBLY INSTRUCTION

PARTS LIST

No	Drawing	Description	Qty
1		SEAT CUSHION	1
2		BACK LEG	2
3		FORNT LEG	2

HARDWARE LIST

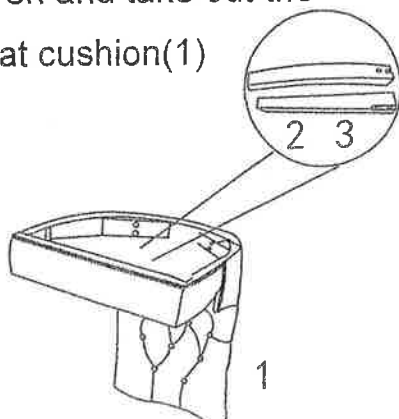
No	Drawing	Description	Qty
A		5mm	1
B		$\phi 5/16 * 2-1/4"$	4
E		$\phi 5/16 * 1-3/4"$	4
C		$\phi 5/16$	8
D		$\phi 5/16$	8

Complete assembly

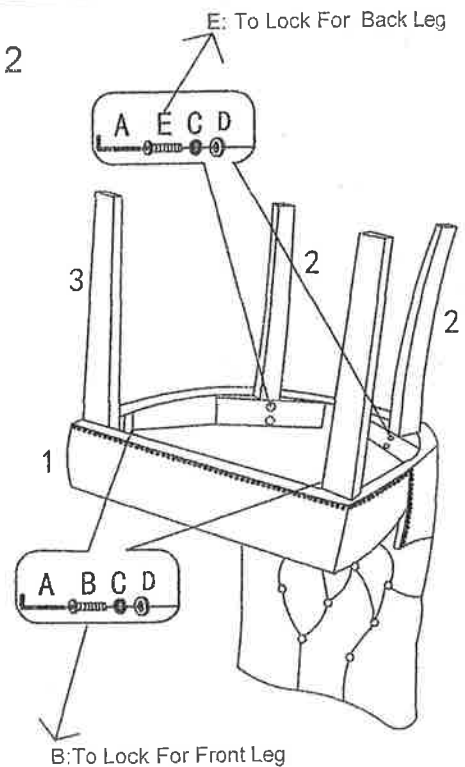


STEP 1

Open the non-woven and take out the Legs(2,3)from seat cushion(1)



STEP 2



Recover the non-woven cloth