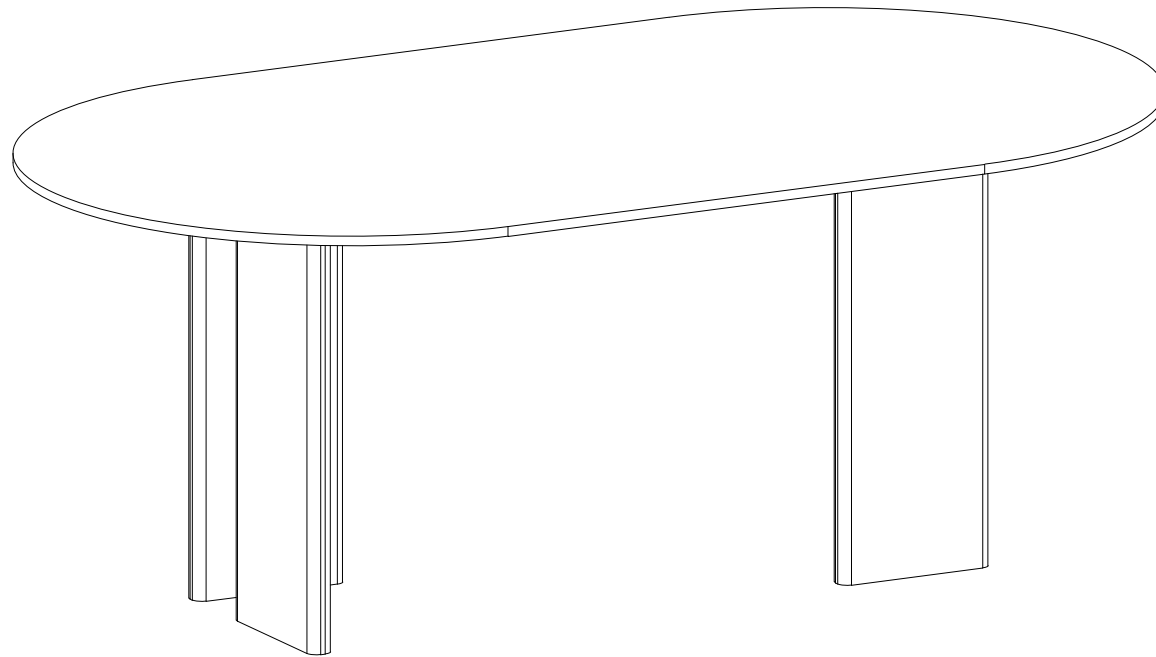




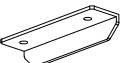

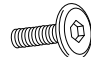


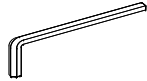

ASSEMBLY INSTRUCTIONS.

OVAL DINING TABLE GREEN ONYX MARBLE



THANK YOU FOR YOUR PURCHASE!


PARTS AND HARDWARE

(A) Top , 1x 	(B) Assembly Plate, 4x 
(C) Support Plate, 8x 	(D) Leg, 4x 
(E) Flat Head Bolts, 16x (20x8mm) 	(F) CSK Bolts, 12x (45x8mm) 
(G) Flat Washer, 16x (8mm) 	(H) Allen Key, 1x (5mm) 
(H) Spanner, (1x) 	

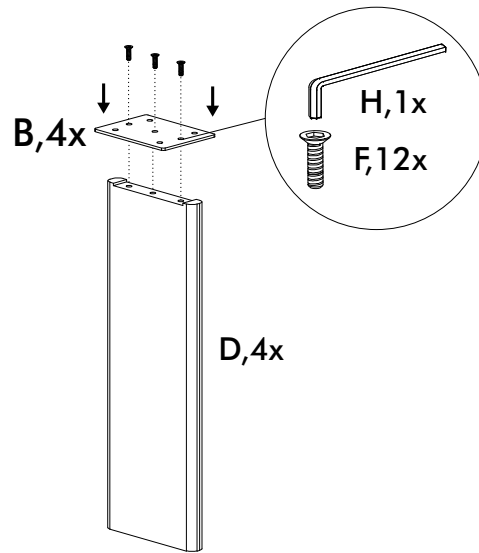
NOTES.

Thank you for purchasing this quality product! Be sure to check all packing material carefully for small part that may have come loose inside the carton shipping.

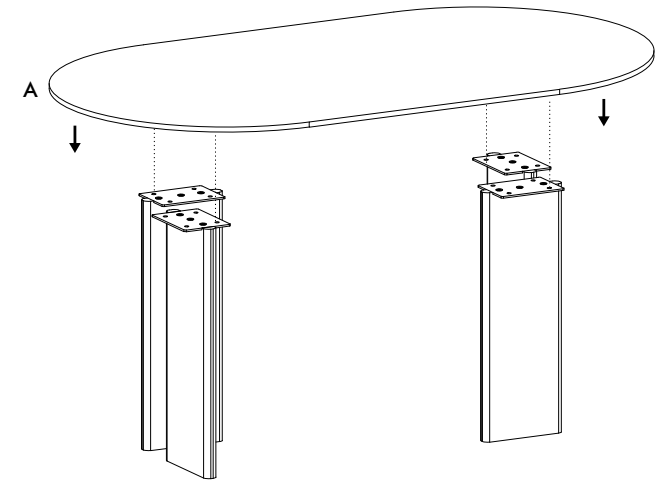
CAUTION: This product is very heavy (approximately 607.6 lbs/276.18 kg), handle with care.

- The table should never be attempted to be disassembled or assembled by less than 6 people. 
- The table should never be dragged or lifted into position.
- Before moving to a new location the table needs to be fully disassembled and re-assembled in its new location.

STEP 1.



STEP 2.



STEP 3.

