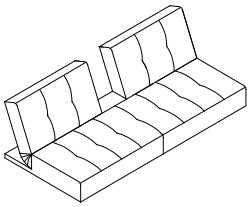
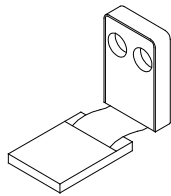


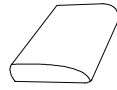
ASSEMBLY INSTRUCTIONS



Ax1



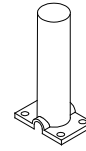
Bx1



Cx 2



Dx 4



Ex 2



Fx 4



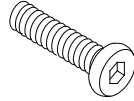
M6*10mm

Gx 8



M6

Hx 1



M6*45

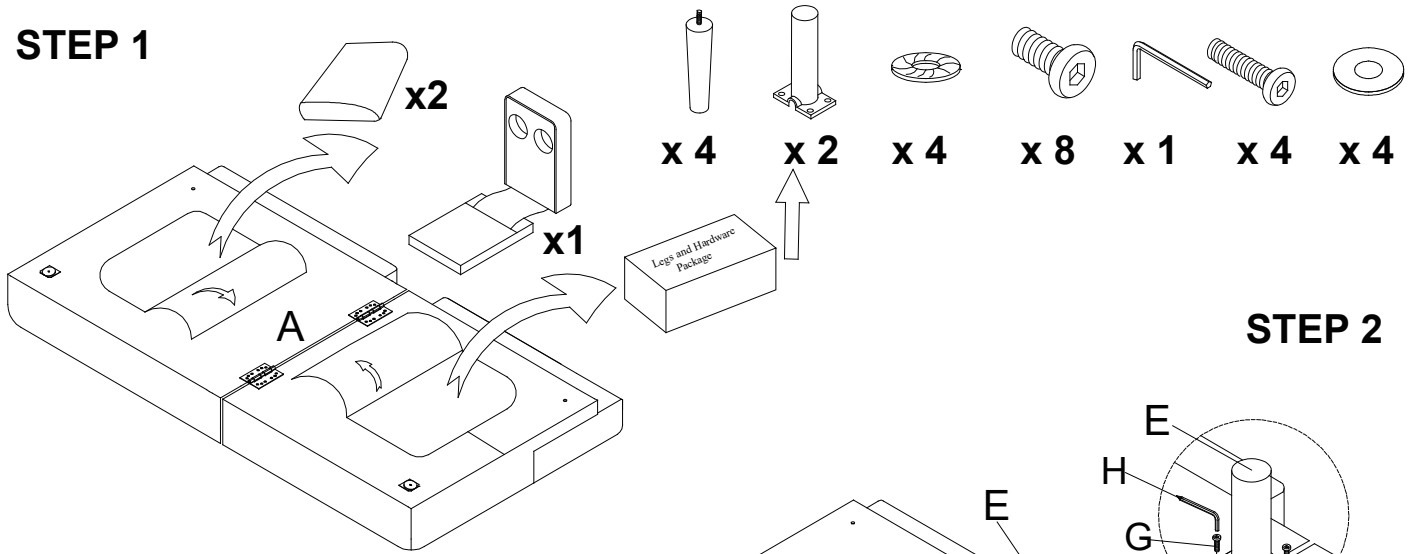
Jx 4



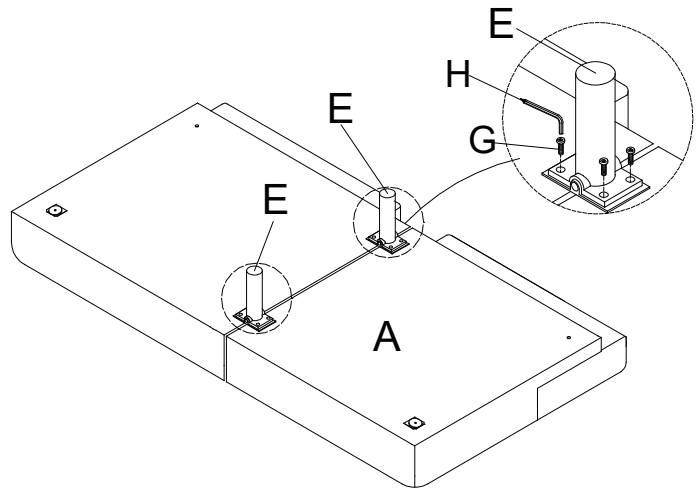
M8*19*1.5mm

Kx 4

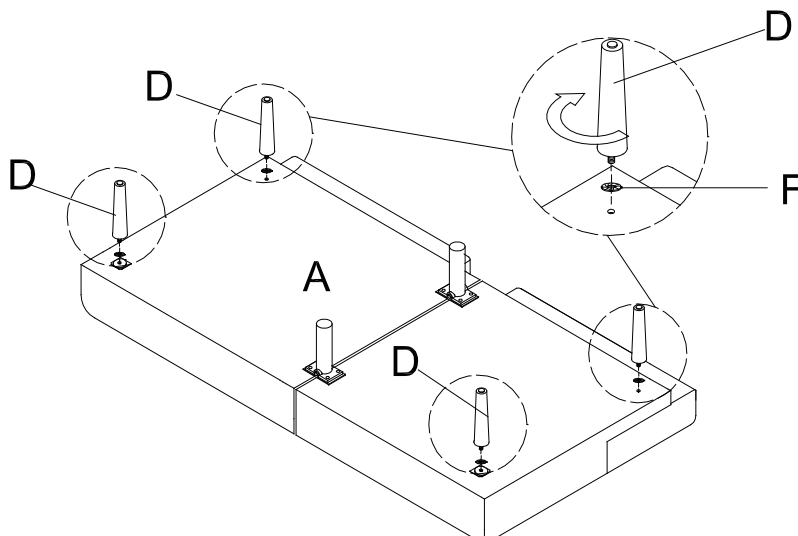
STEP 1



STEP 2

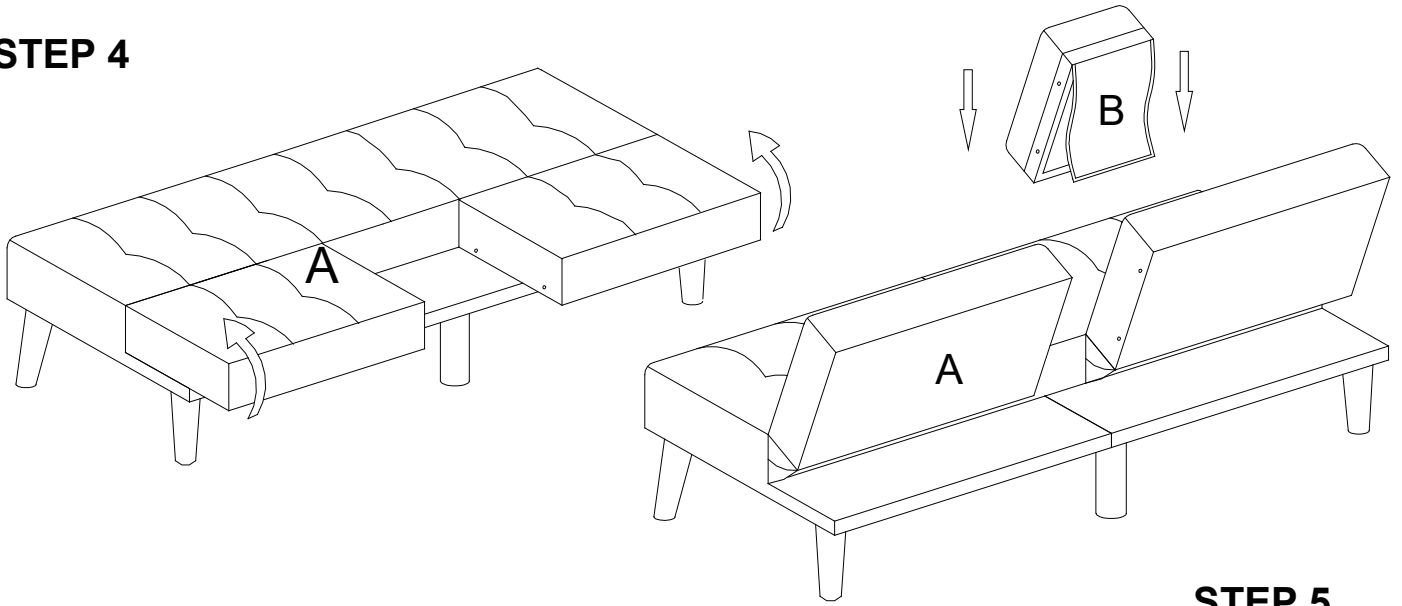


STEP 3

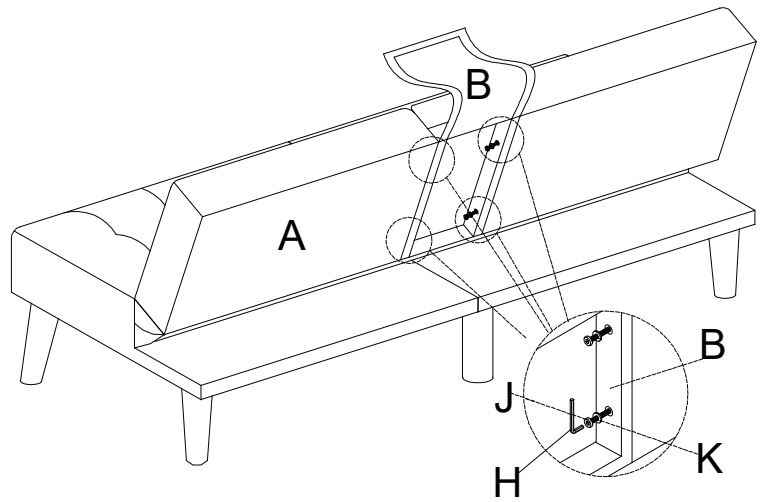


ASSEMBLY INSTRUCTIONS

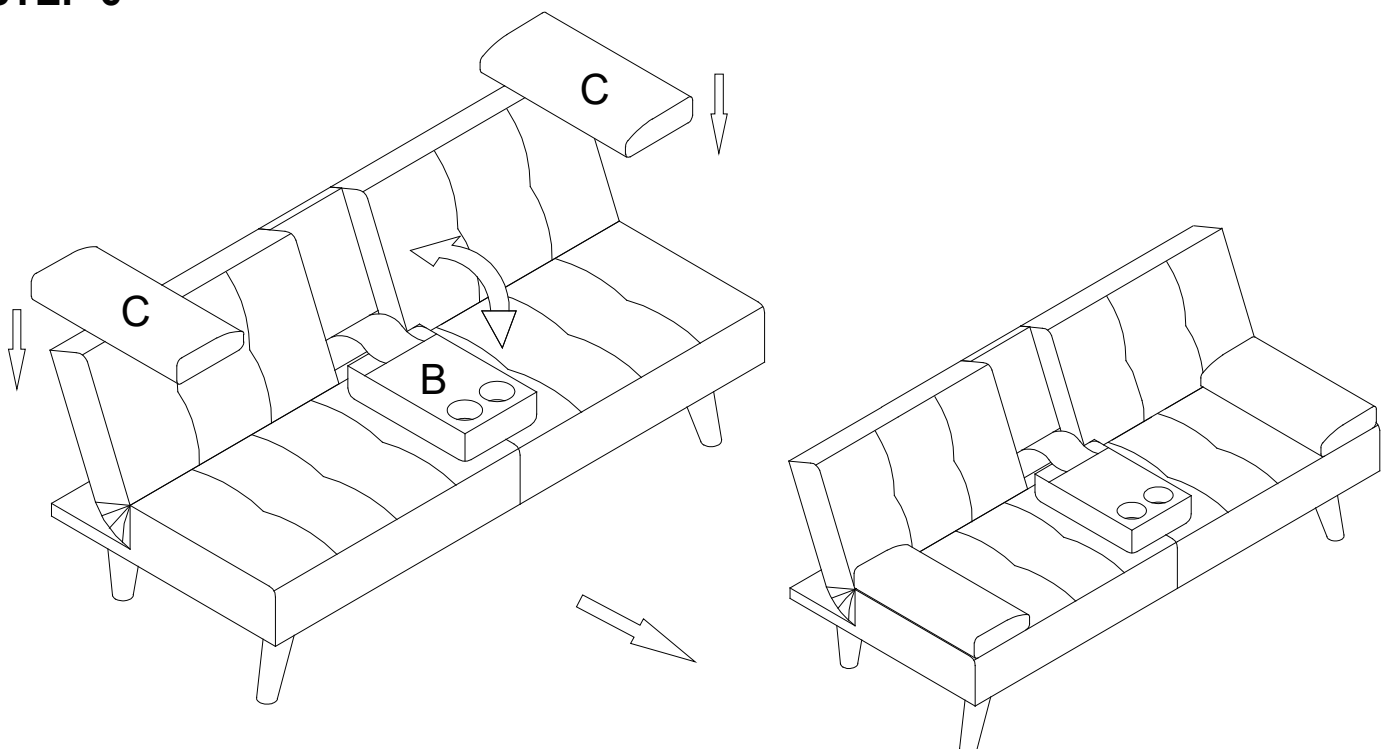
STEP 4



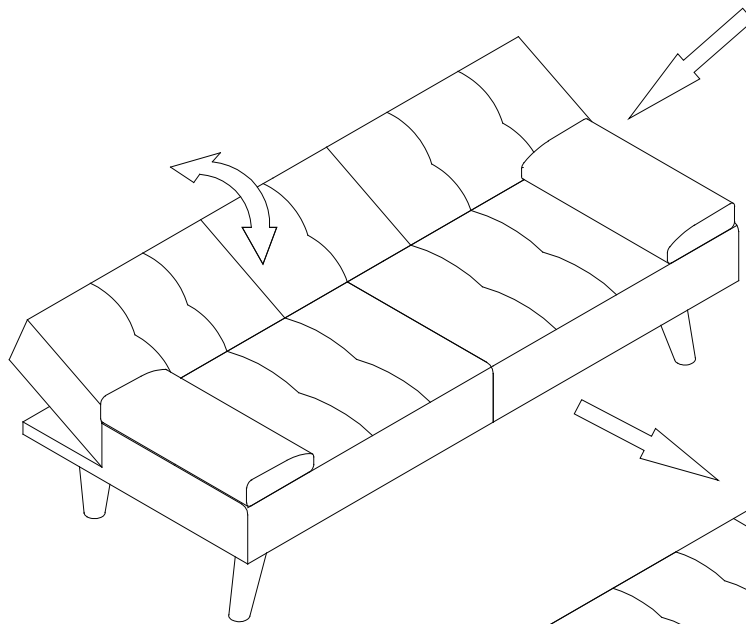
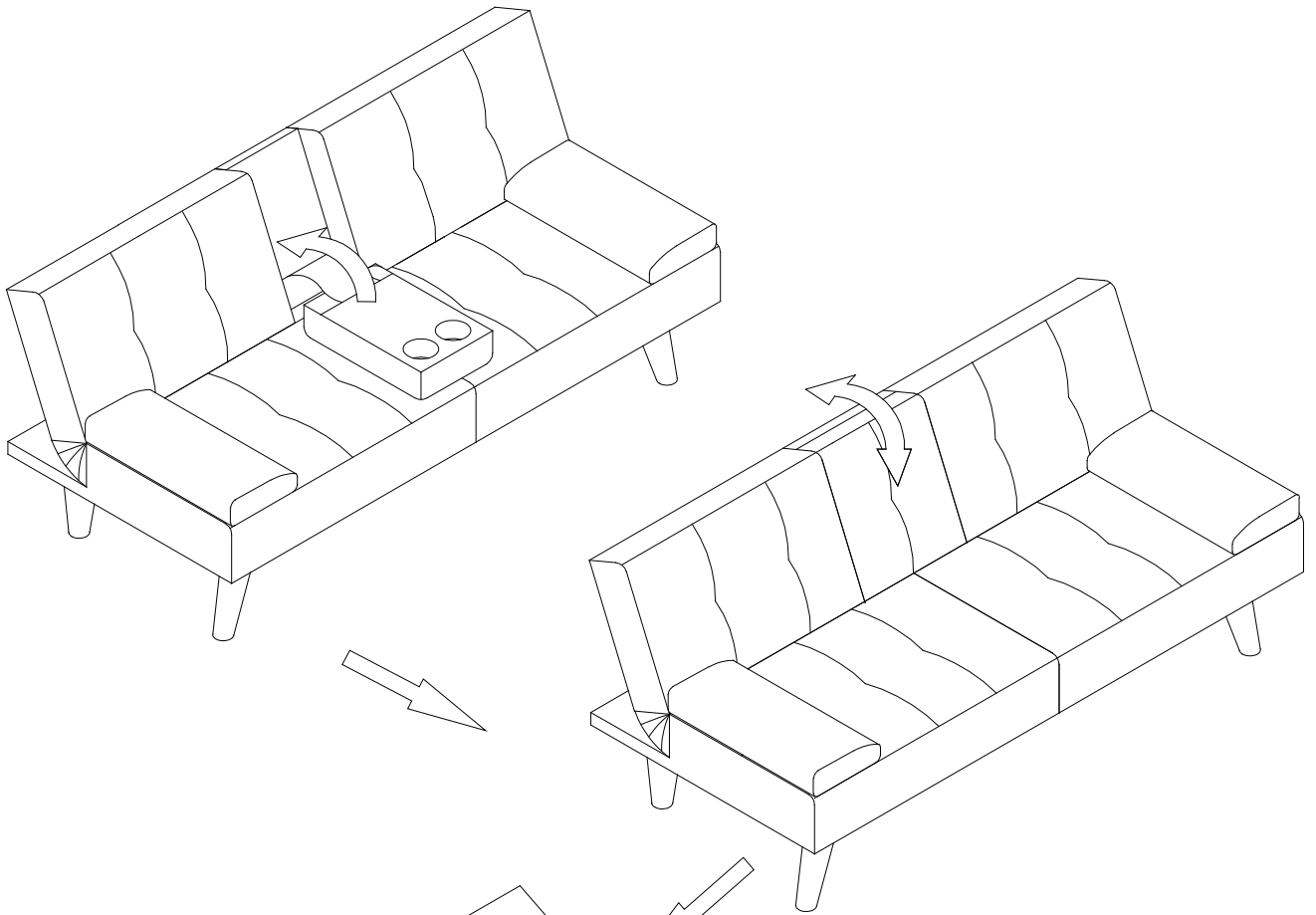
STEP 5



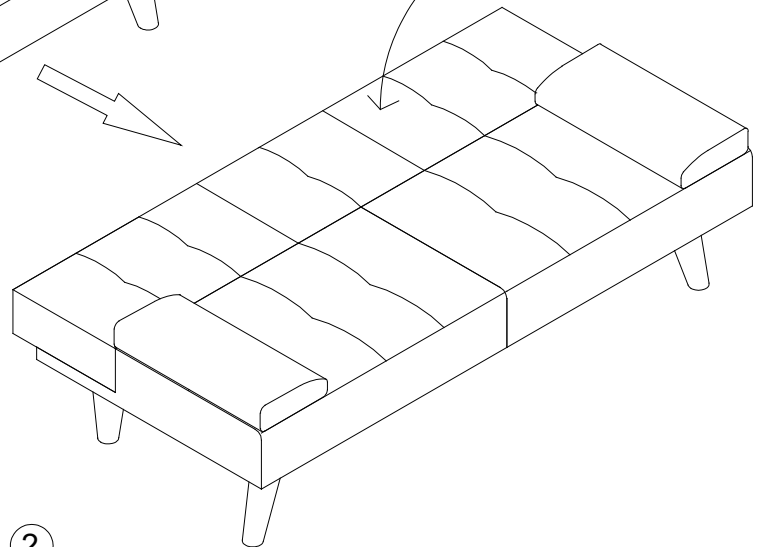
STEP 6



ASSEMBLY INSTRUCTIONS



WARNING: When the backrest is put down, avoid sitting on the edge of the backrest for safety person fall and the backrest is damaged reasons.



To put the backrest on the bracket , unlock it by push the backrest forward first.

