



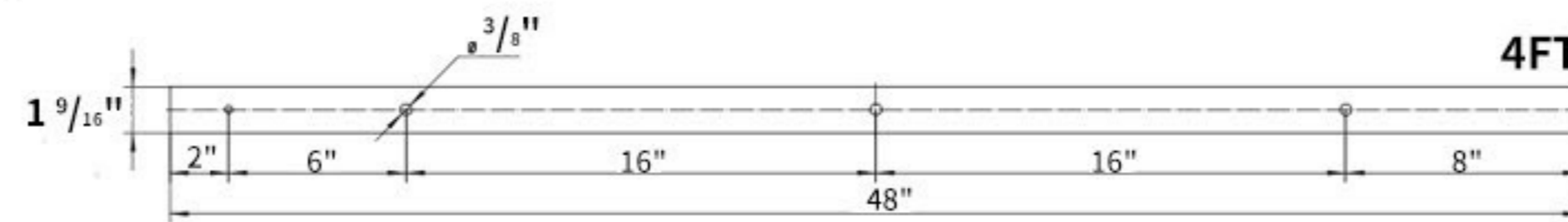
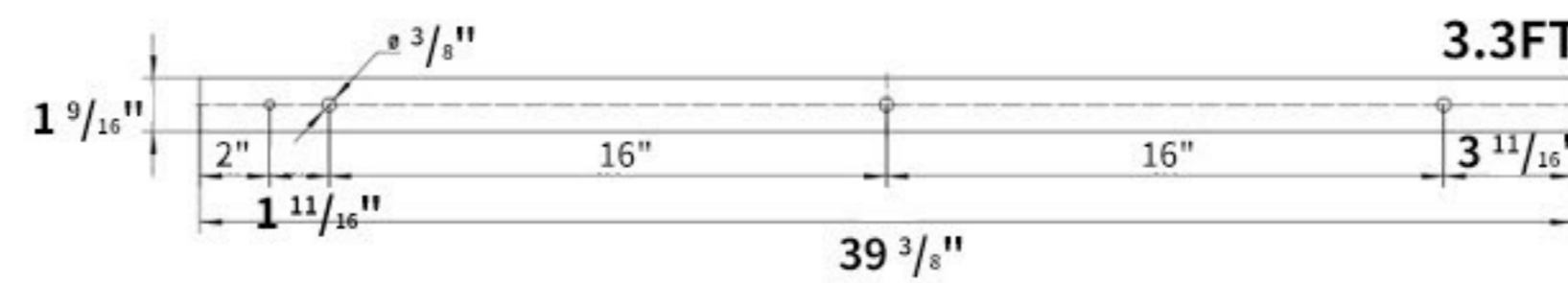
Bi-Fold Barn Door Hardware Instruction Manual

(J-Shape Single Door)



Product Content

Part Name	Picture	3.3FT	4FT
Steel Hanger		2	2
Flat Track		1	1
Adjustable Spacer		3	3
Bottom Pivot and Bracket		1	1
Lag Bolt		3	3
Washer		3	3
Door Hinge		3	3
Hex Wrench		1	1
Fixed Screw		1	1
Handle		1	1



Tools Needed

Pencil		Level	
Phillips Screwdriver		Drill Bit	
Wrench		Drill Bit	
Plumb Bob		Drill	
Tape measure			

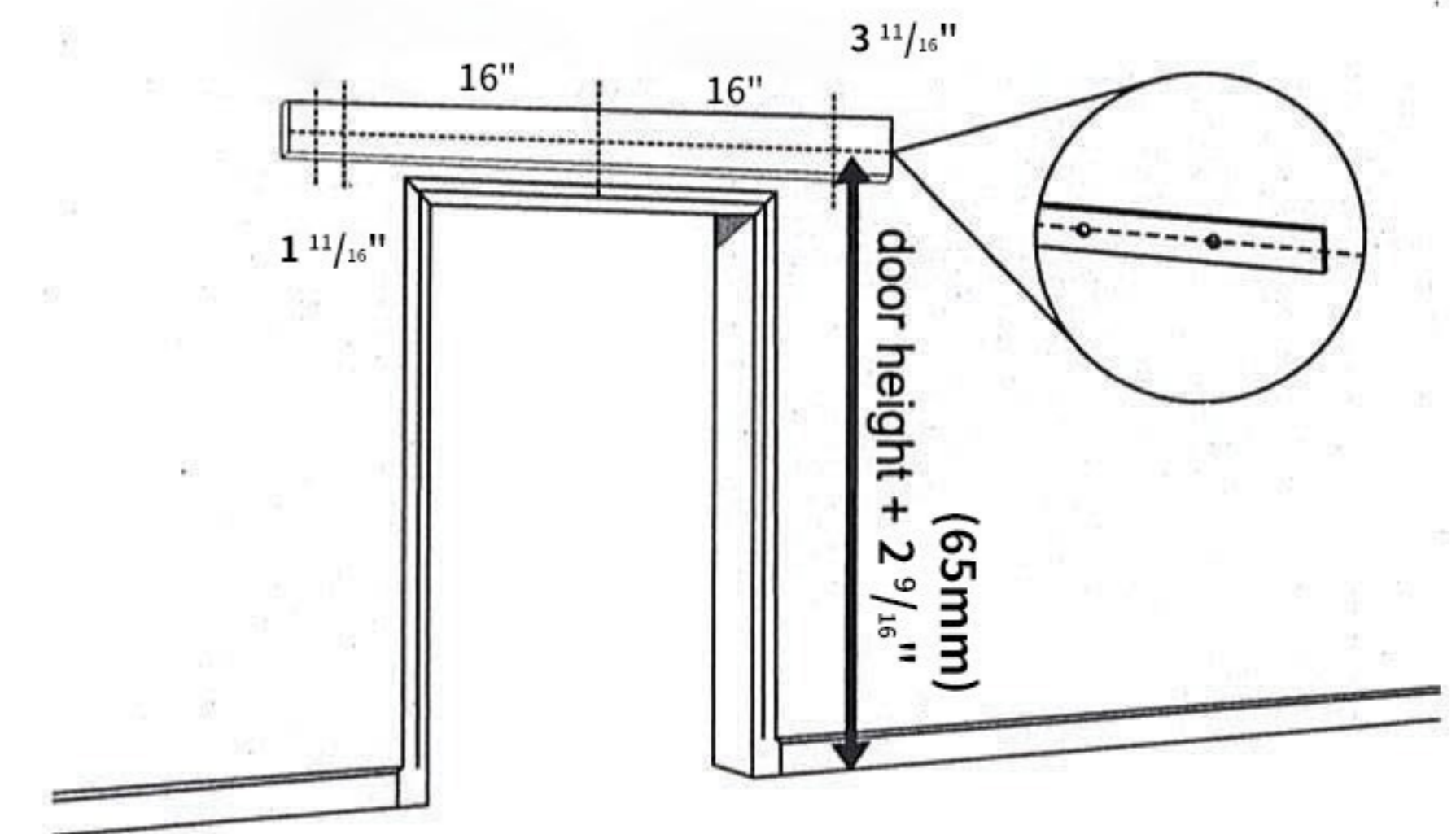
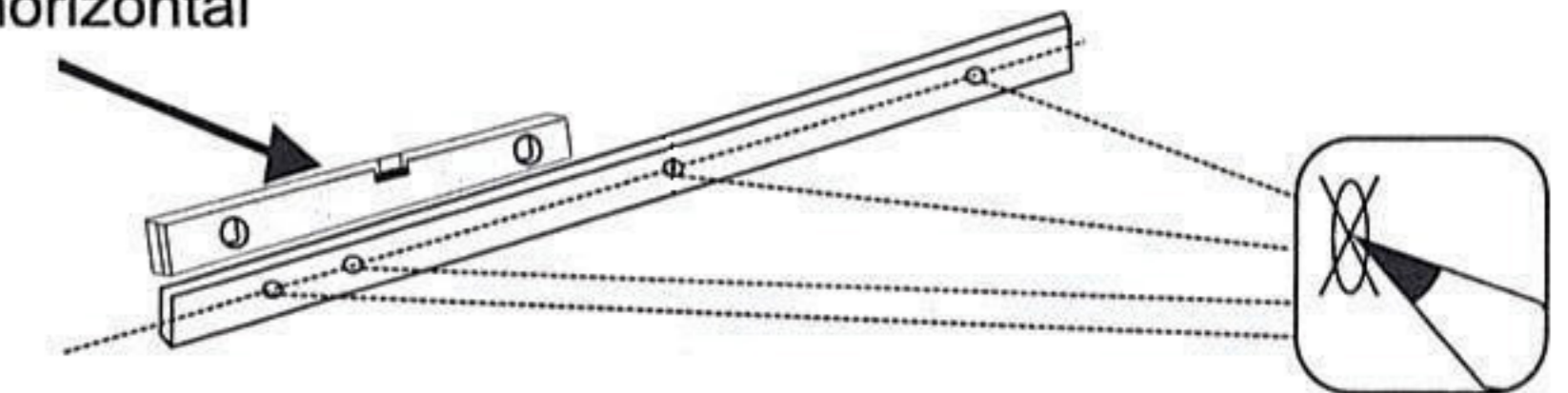
Prepare and Install the Tracks

01 Draw Line for the Track, Drill Track Holes

- Place the rail against the wall, Using a level, draw a line for the Track, and use a pencil to mark where the holes should be. Make sure the height of holes on the wall is $H + 2\frac{9}{16}$ " (H+65mm)

Note: Concrete wall: Drill holes by using a 2/5"(10mm) concrete drill bit. Wood framed wall: Drill out the holes by using a drill with 1/4"(6mm) drill bit.

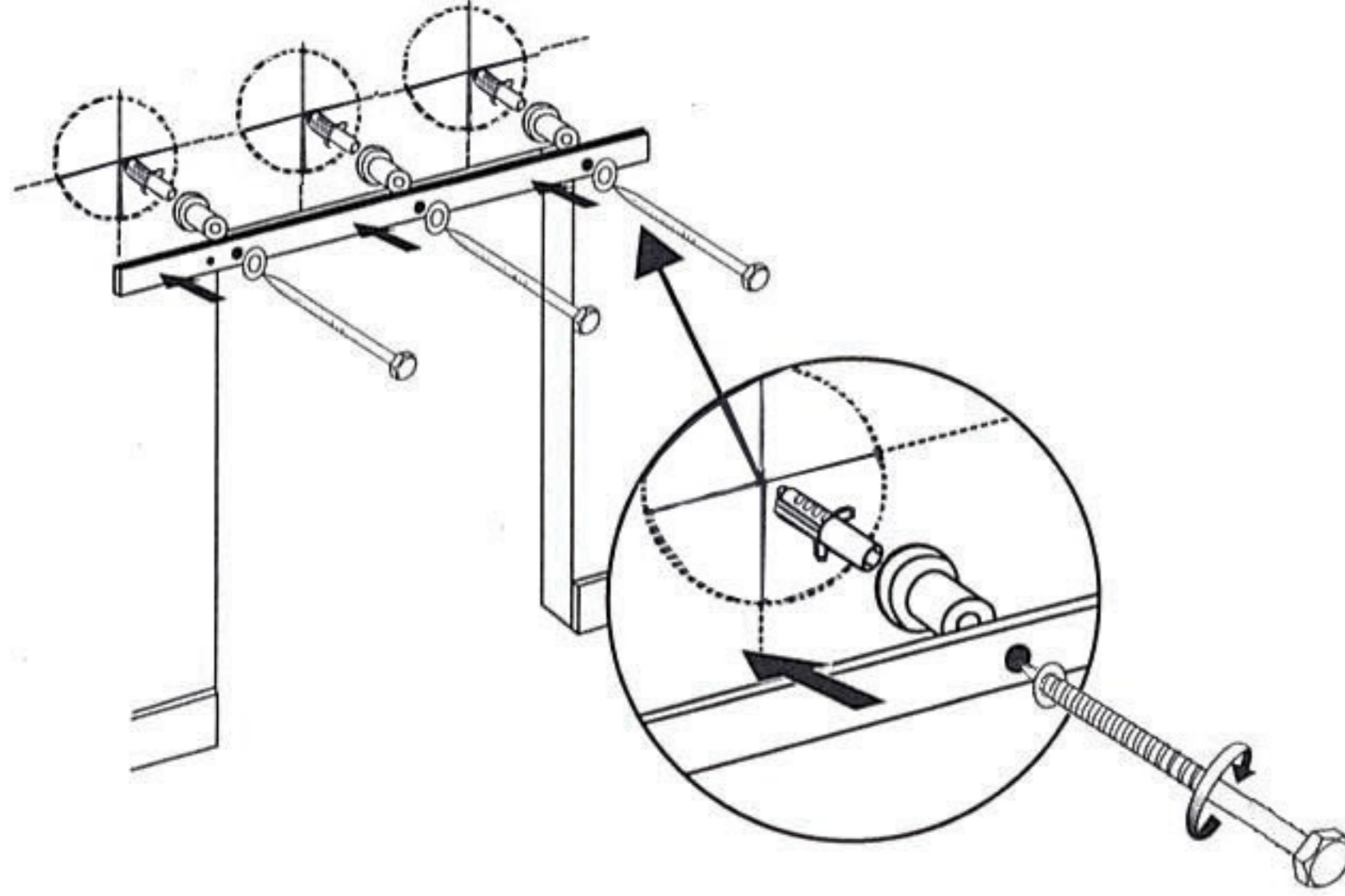
Level can make the rail horizontal



02 Install The Track

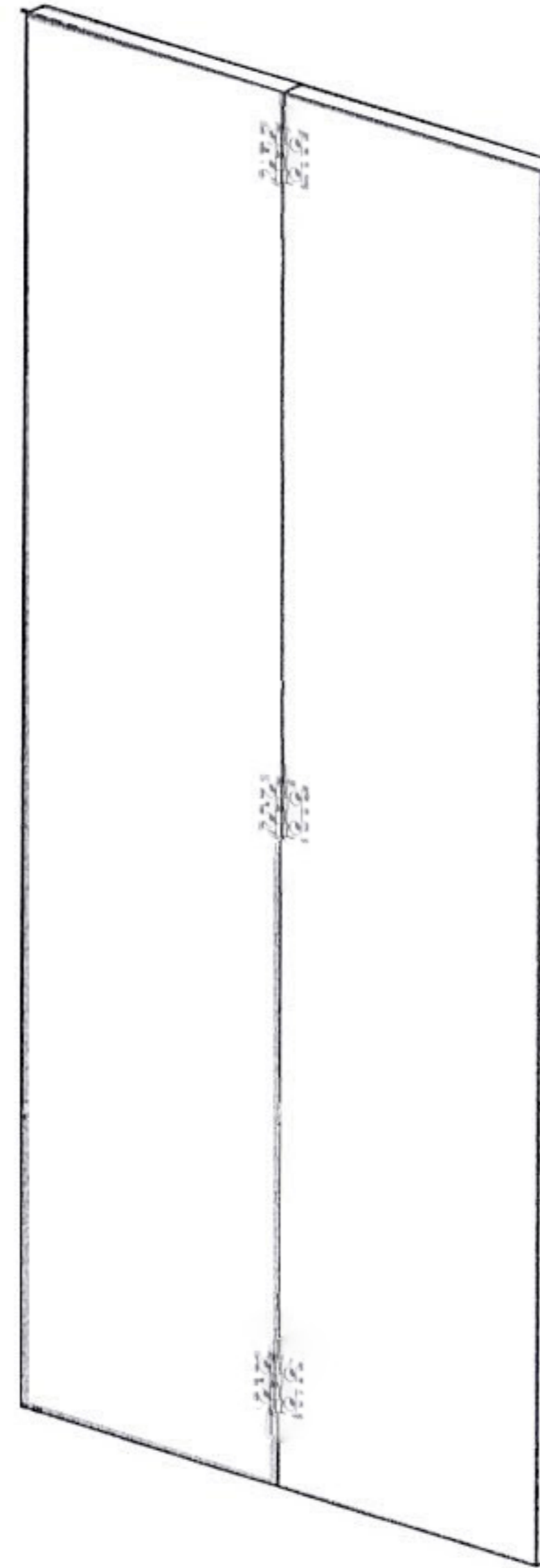
a. Concrete wall installation.

Install the anchor to holes on the concrete wall first, then install lag bolt to anchor.



03 Installing Bi-Fold butt hinges on the back for the doors

- Lay the doors to be joined together face down on a flat surface.
- Butt the doors together with a $1/16$ " (1mm) gap in between (approximate thickness of 3-4 business cards).
- Space the hinges approximately 10"-12" (254-304mm) down from the top and up from the bottom of the doors.
- Align the hinge knuckle parallel and directly over the joint between the two doors. Using a self-centering #9 Vix bit or a $1/8$ " (3mm) drill bit, predrill the fastener holes.
- Secure the hinges to the door with the supplied flathead screws.



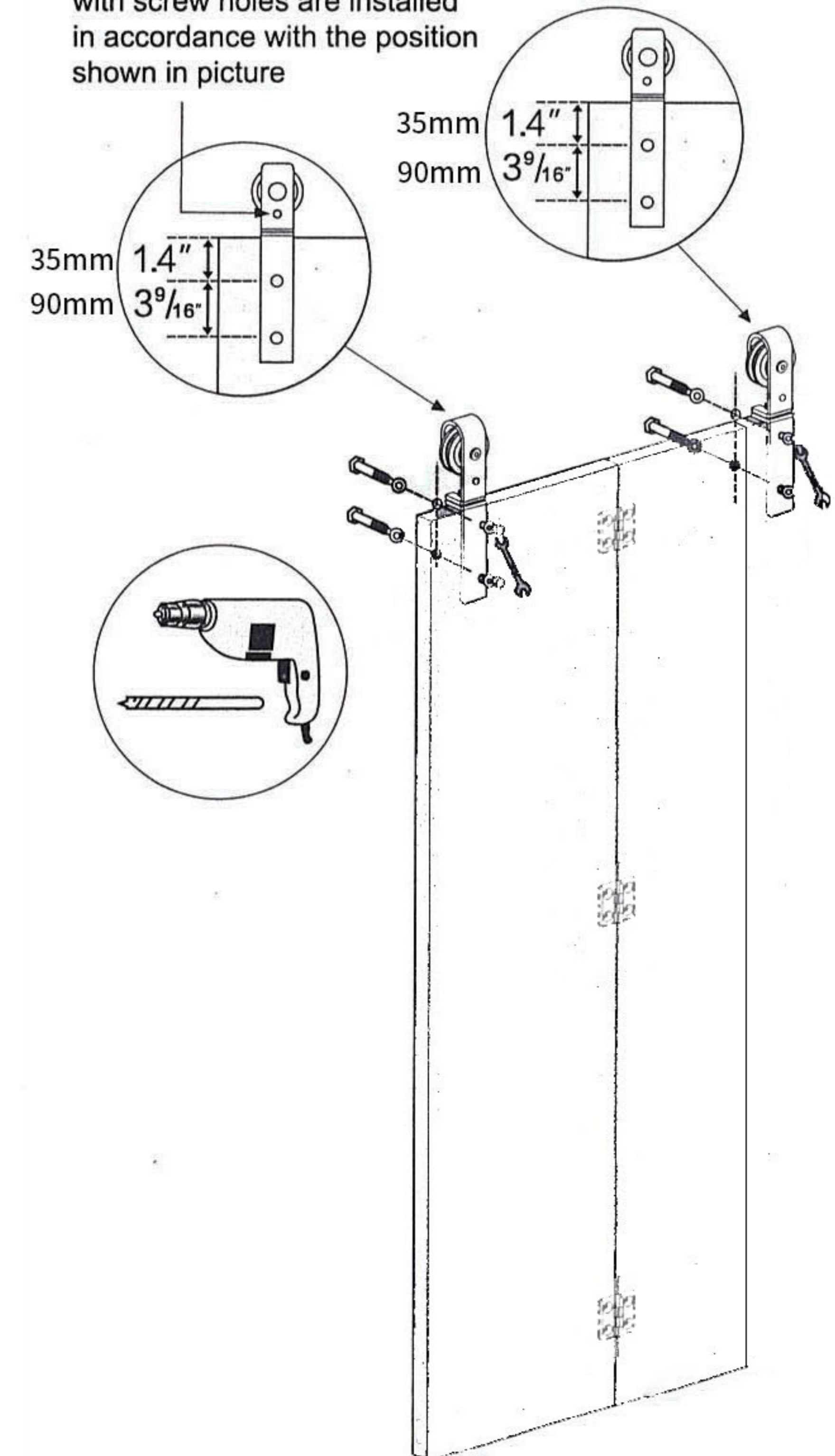
Prepare Your Doors

04 Attach Steel Hangers to Your Doors

- Install the hangers onto the door according to the measurement in the pictures below. Maximum door thickness is 1-3/4" (45mm), please add some bolt washers or cut the long door bolts to a suitable length to fit the door.

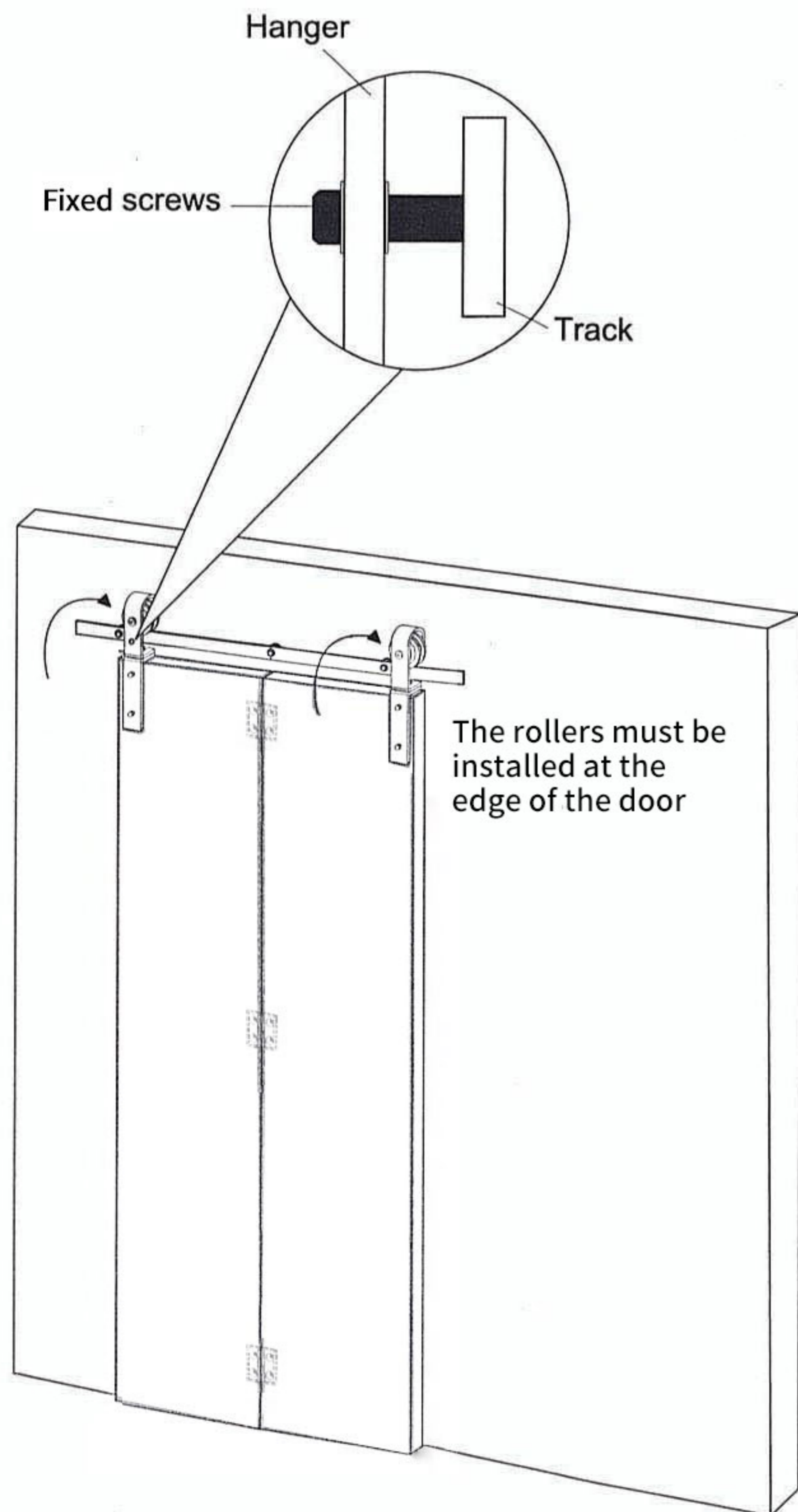
Note:

Make sure the hangers with screw holes are installed in accordance with the position shown in picture



05 Hanging and Positioning Doors

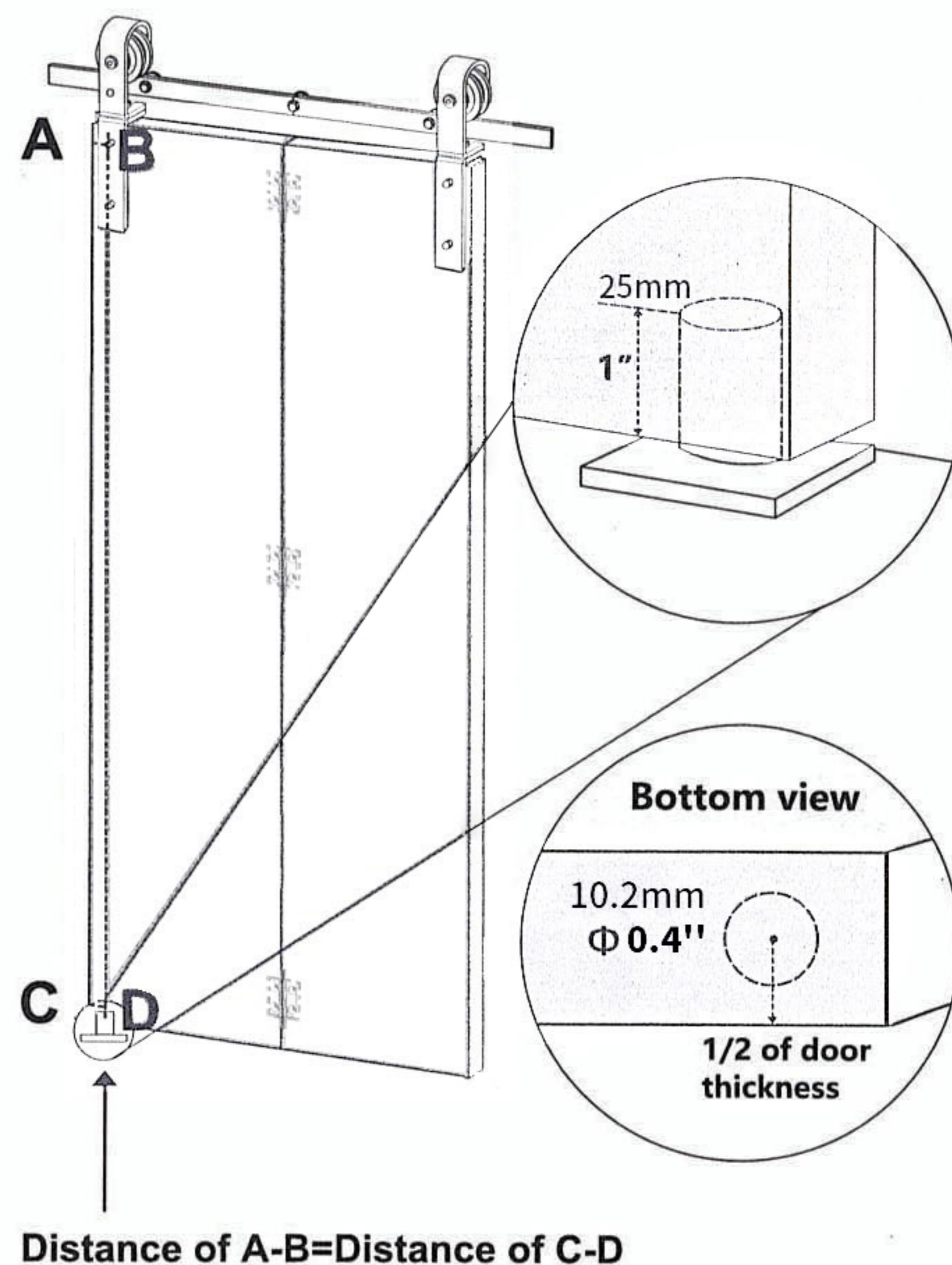
- a. Install the fixed screws on the wheel and track, to prevent the door from falling



06 Install the Bottom Pivot and Bracket

- a. Mark the location of the holes at the bottom of the door with a pencil according to the dimensions indicated in the figure below.

Note: The Bottom Pivot and Bracket need to align with the center of the top connector plate used with the fixed roller.



WARNING

- Failure to wear proper safety gear (i.e., eye protection) may result in serious injury or death. Always wear proper safety gear before using power tools.
- Improper operation of power tools may result in loss of control, serious injury or death. Always ensure you have complete control of the power tool and the work area is free of hazards before operating a power tool.
- Lack of secure clamping of the door may result in unexpected movement of the door, loss of power tool control and serious injury or death. Always securely clamp the door in place before cutting or drilling the door.
- Lack of or improperly installed anti-jump pads may result in the door coming off the track and cause serious injury or death. Installation of anti-jump pads are required for safe operation of this hardware. Installed properly, these anti-jump pads will keep the door securely attached to the track.

CAUTION

- Mishandling of heavy objects (i.e., doors) may cause a loss of balance and serious injury. Always be sure you have a secure hold on the object and are balanced before moving the object. Always wear safety shoes when lifting heavy objects.
- Getting body parts (i.e., hair, fingers) caught in moving parts may cause pinching and serious injury. Do not put fingers in parts that may move and always remove or contain anything on your body that may become entangled with a moving part.
- Closing sliding doors with your hand on the end of the door may result in your hand, or fingers, getting caught between the door and other solid objects (i.e., another door, molding) causing serious injury. Always use the door handle to close doors.

Usage Statement:

Use of excessive force when opening, and closing, the door(s) may result in damage to the hardware. Always hold the handle and gently open and close the door(s).