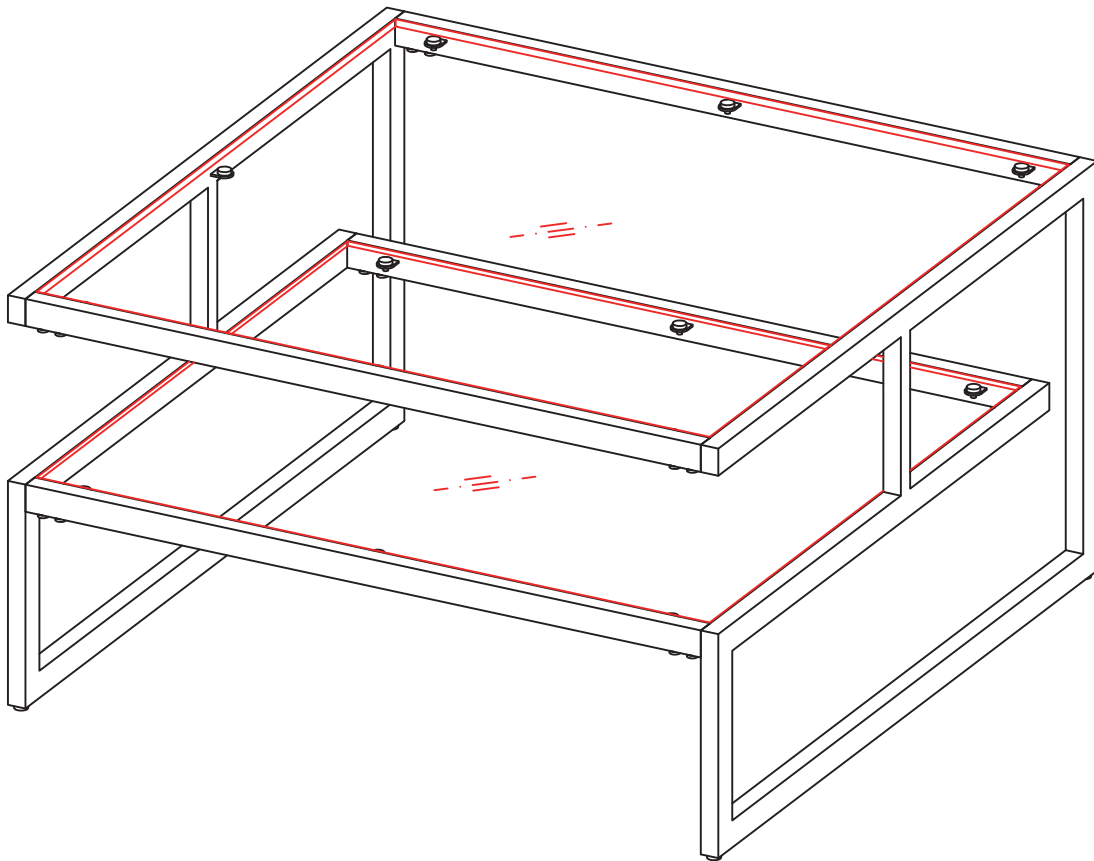






ROYAL CREST STRIPES COFFEE TABLE



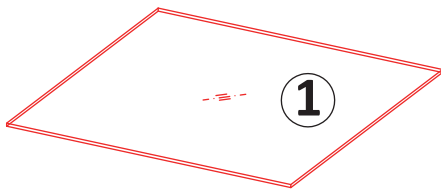
ASSEMBLY INSTRUCTIONS

We have designed our furniture with you , the customer in mind . Our clear , easy to follow , step by step instructions will guide you through the project from start to finish . Feel confident that this will be a fun and rewarding project . The final product will be a quality piece of furniture that will go together smoothly and give years of enjoyment .

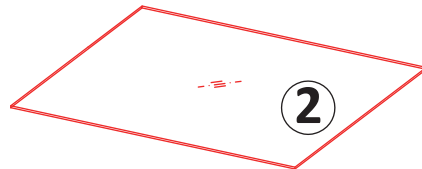
Hardware List

| | | | |
|---|---|---|---|
| A  | B  | C  | D  |
| Screw (16pcs) | Allen Wrench (1pc) | Non-slip disk (14pcs) | Polishing cloth (1pc) |

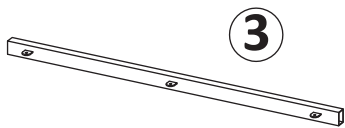
Panel List



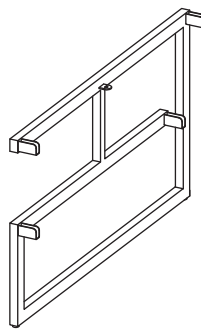
Top Glass (1pc)



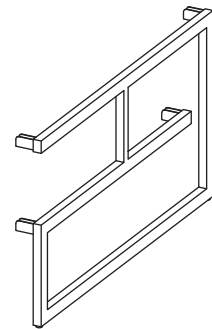
Bottom Glass (1pc)



Rail (4pcs)



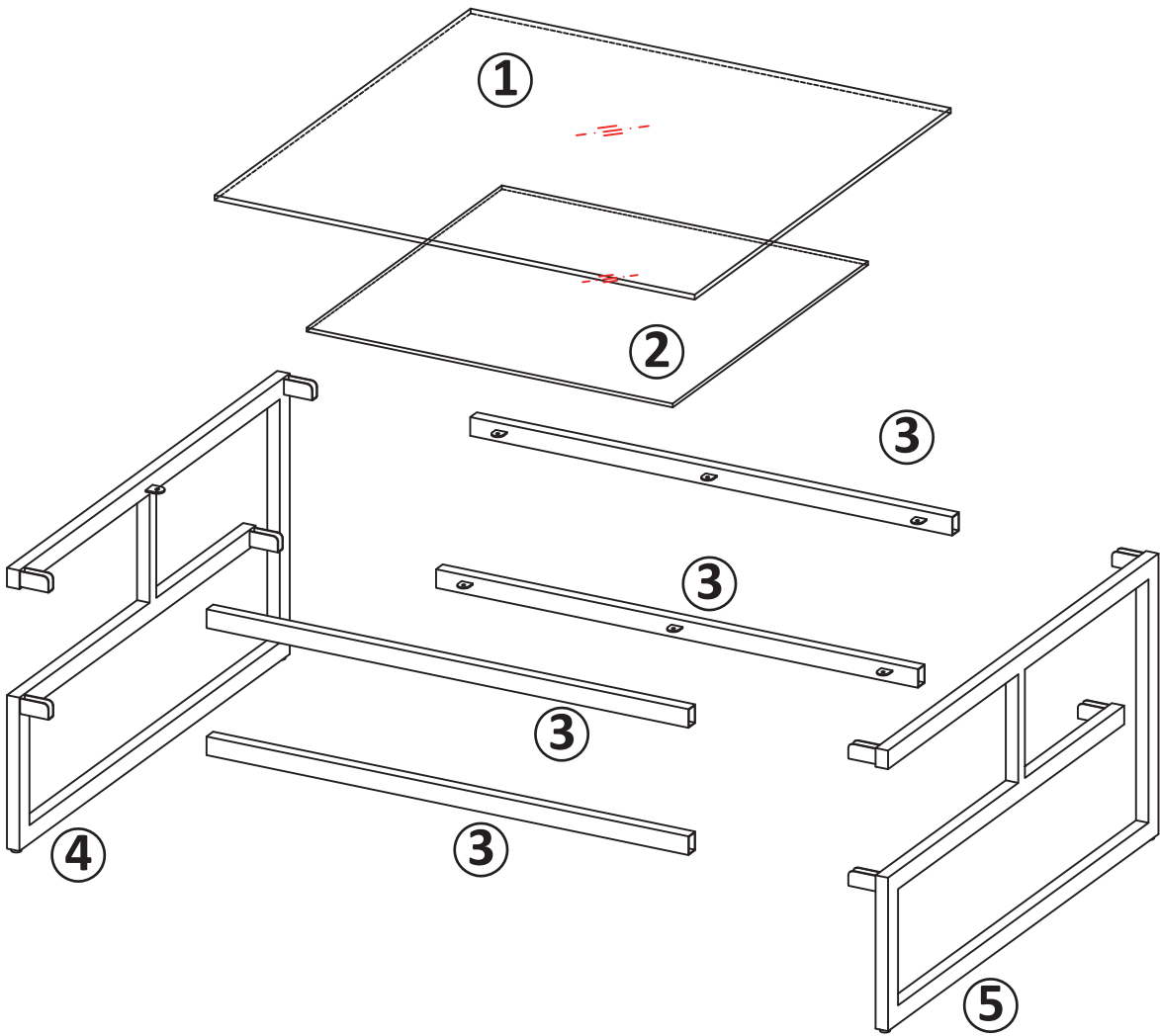
Left Frame (1pc)



Right Frame (1pc)

Please count and verify all parts before assembly.

Exploded Views



Step 1

*Assemble unit on carpet or flat surface.

1. Connect left frame ④ and right frame ⑤ together by sliding them into rails ③ as shown.
2. Secure rails ③ to left frame ④ and right frame ⑤ as shown using screws (A) and allen wrench (B).

A

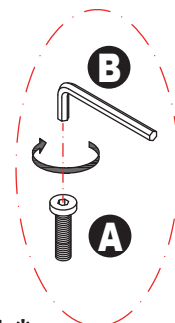
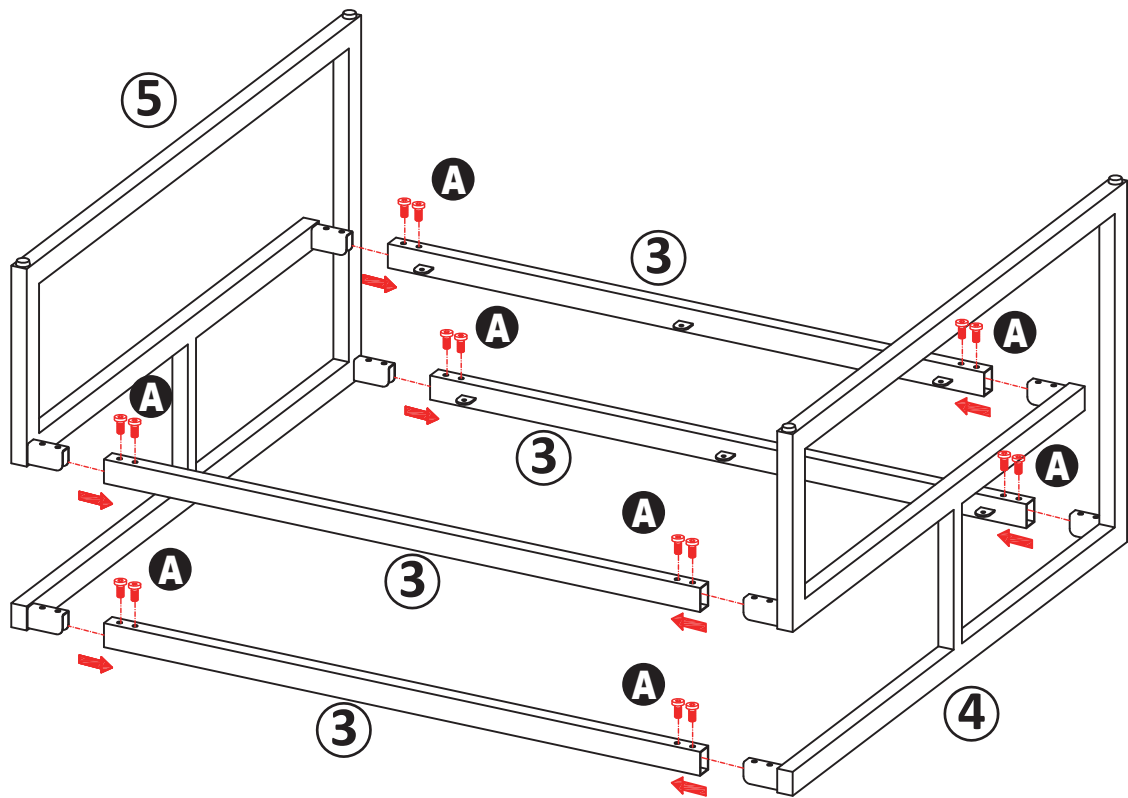


x16

B



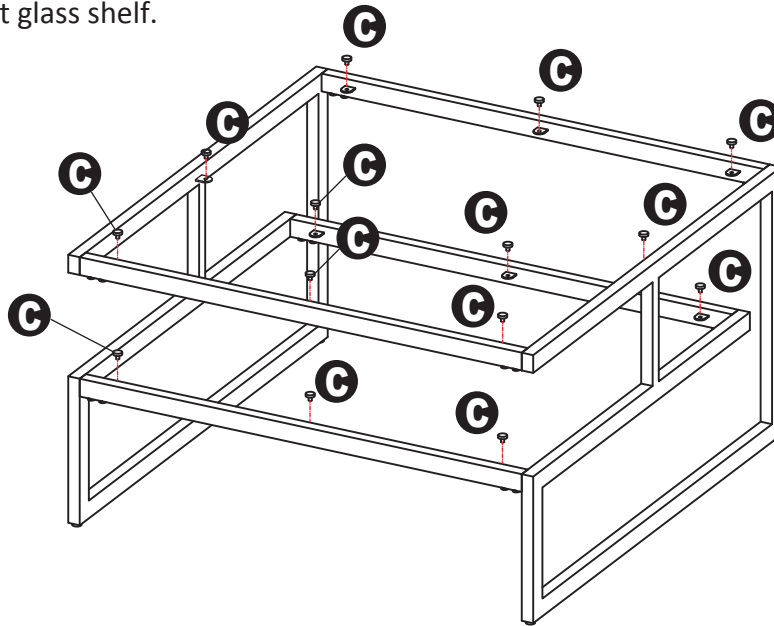
x1



Do not fully tighten Screws (A) until all have been started.

Step 2

1. Place non-slip disks (C) into assembly as shown to support glass shelf.



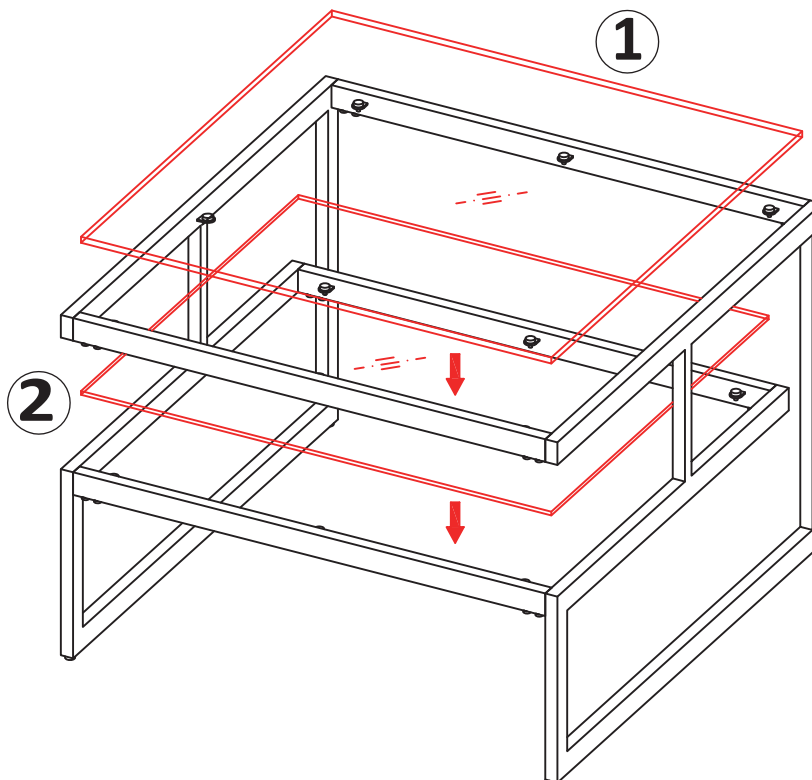
C



x14

Step 3

1. Using a slight angle, carefully insert bottom glass ② into unit.
2. Using a slight angle, carefully insert top glass ① into unit.



Step 4

1.Enjoy.

