

! (Warning icon)

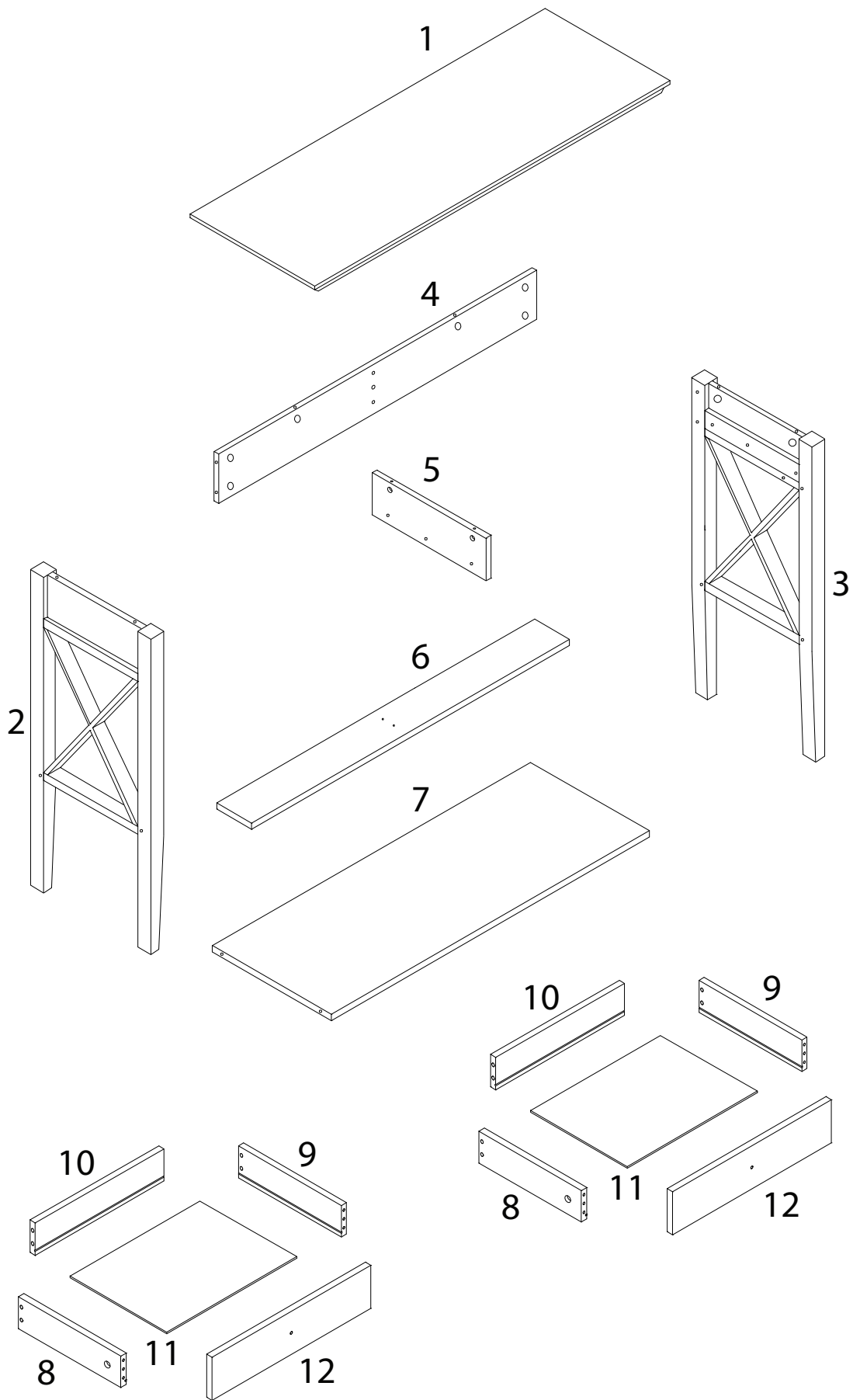
Tools: screwdriver, hex key, and power drill (with a slash through it, indicating not to use a power drill).

40' (Clock icon, indicating estimated assembly time)

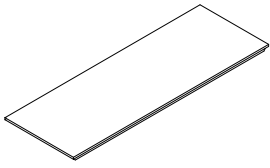
! (Warning icon)

Assembly: shows a block being placed on a surface with a warning icon (a slash through the block) indicating it should not be placed on a soft surface like a rug.

1 (Person icon, indicating the number of people required for assembly)

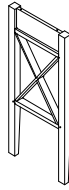


1



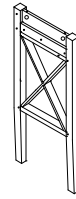
x 1

2



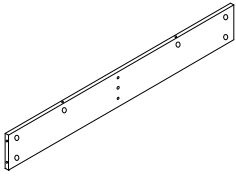
x 1

3



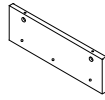
x 1

4



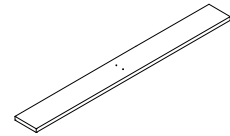
x 1

5



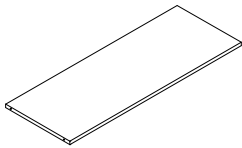
x 1

6



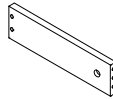
x 1

7



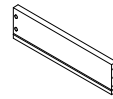
x 1

8



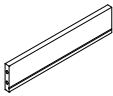
x 2

9



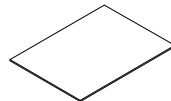
x 2

10



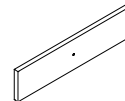
x 2

11


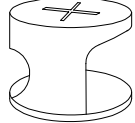

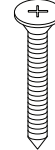

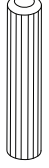
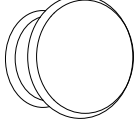
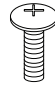
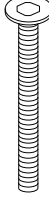
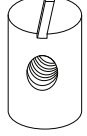


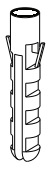
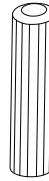

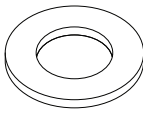
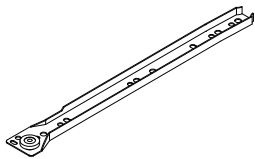
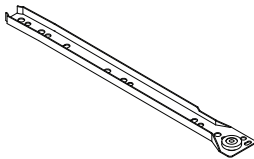
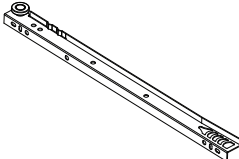
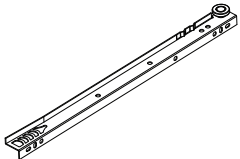


x 2

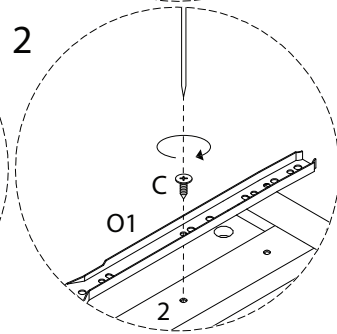
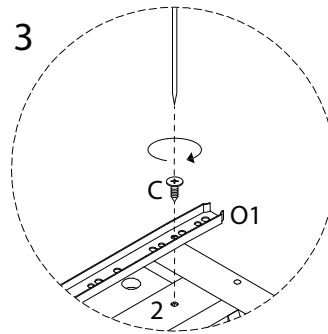
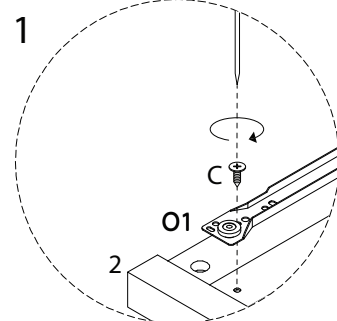
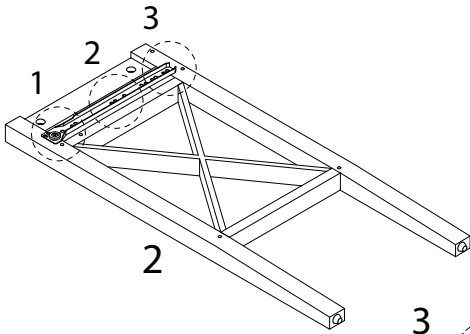
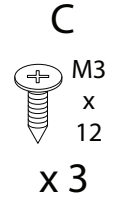
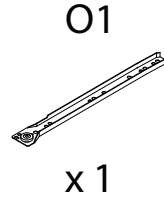
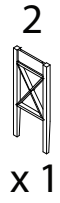
12



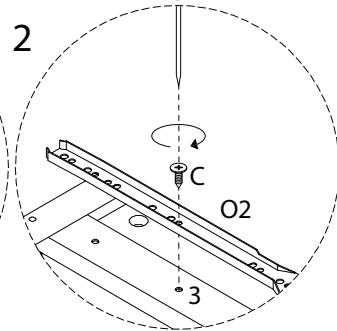
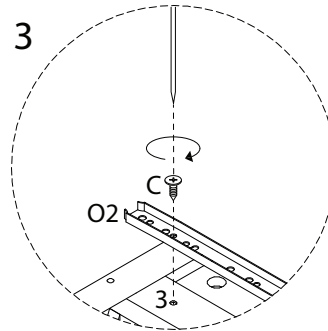
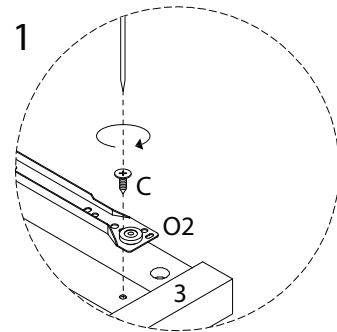
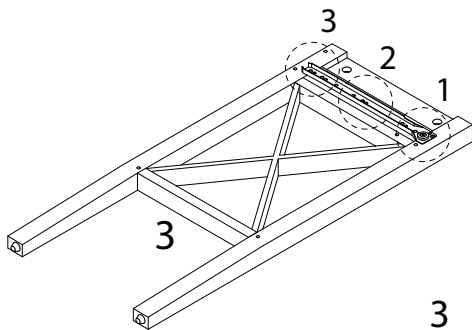
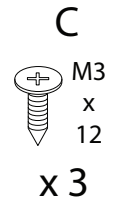
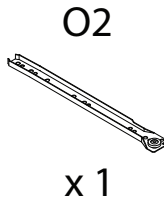
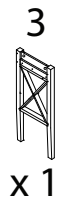
x 2

<p>A</p>  <p>x 20</p>	<p>B</p>  <p>x 20</p>	<p>C</p>  <p>M3 x 12</p> <p>x 24</p>	<p>D</p>  <p>M4 x 35</p> <p>x 12</p>
<p>E</p>  <p>x 1</p>	<p>F</p>  <p>Ø6 x 30</p> <p>x 8</p>	<p>G</p>  <p>x 2</p>	<p>H</p>  <p>M4 x 18</p> <p>x 2</p>
<p>I</p>  <p>M6 x 60</p> <p>x 4</p>	<p>J</p>  <p>x 4</p>	<p>K</p>  <p>x 2</p>	<p>L</p>  <p>M3 x 12</p> <p>x 2</p>
<p>M</p>  <p>x 2</p>	<p>N</p>  <p>Ø8 x 30</p> <p>x 2</p>	<p>S</p>  <p>x 4</p>	<p>T</p>  <p>x 4</p>
<p>O1</p>  <p>x 2</p>	<p>O2</p>  <p>x 2</p>	<p>O3</p>  <p>x 2</p>	<p>O4</p>  <p>x 2</p>

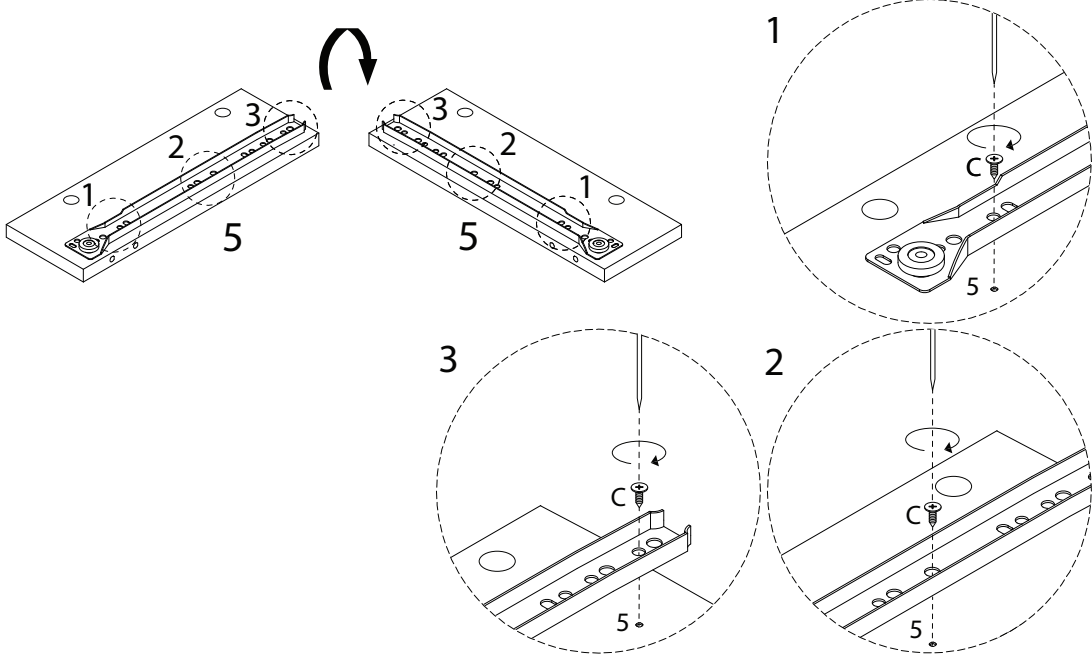
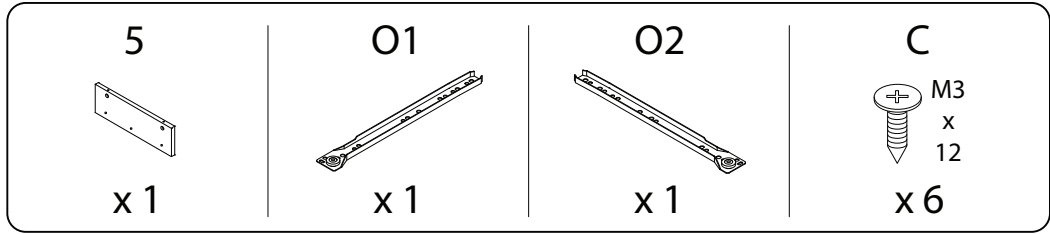
1



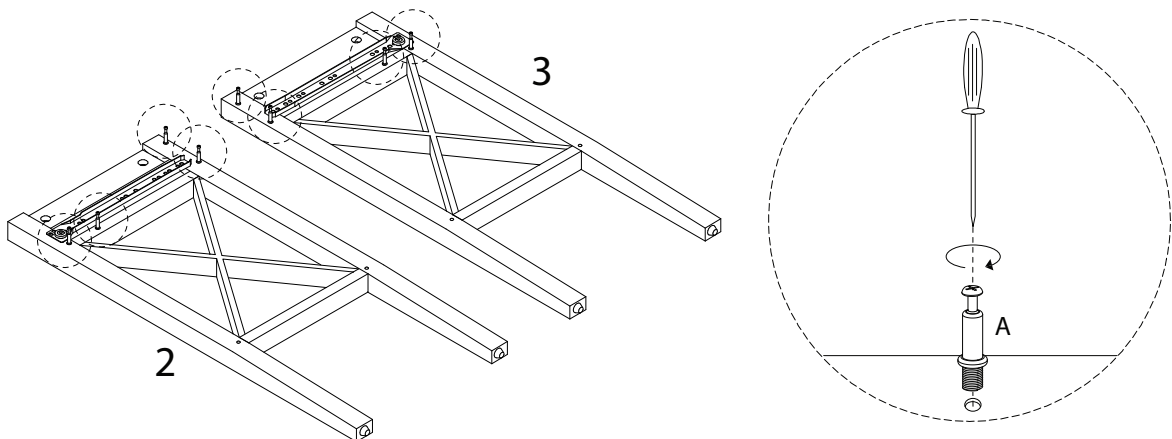
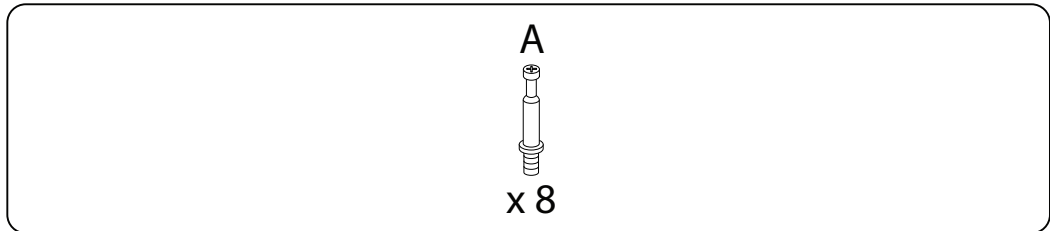
2



3

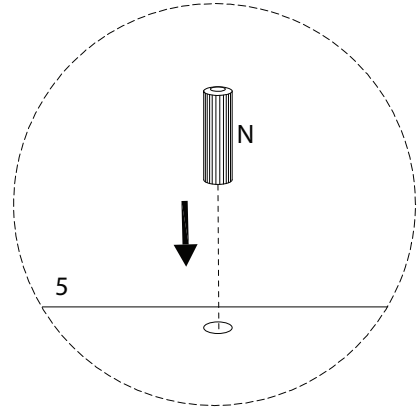
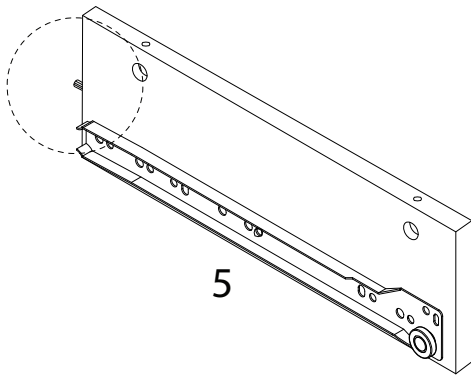


4



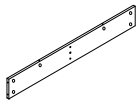
5

N
Ø8
x
30
x 1



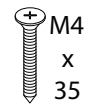
6

4

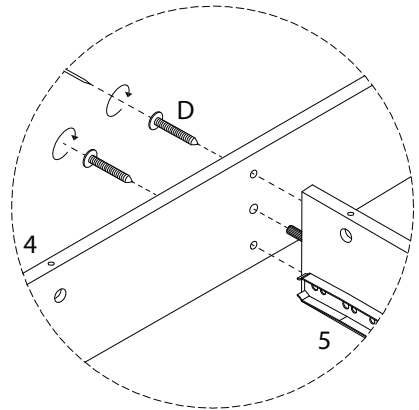
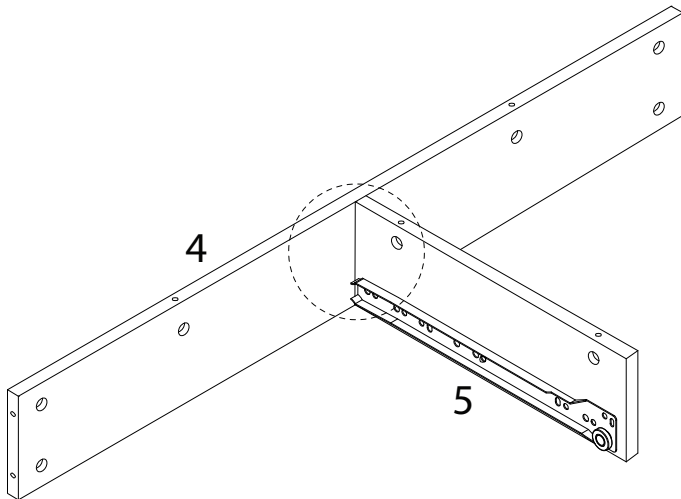


x 1

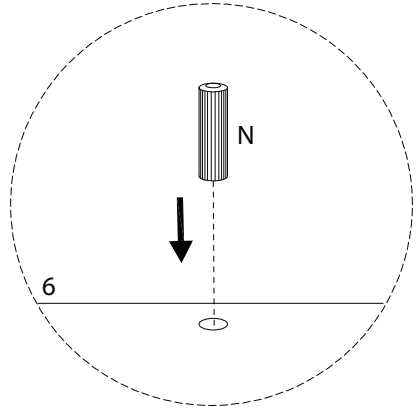
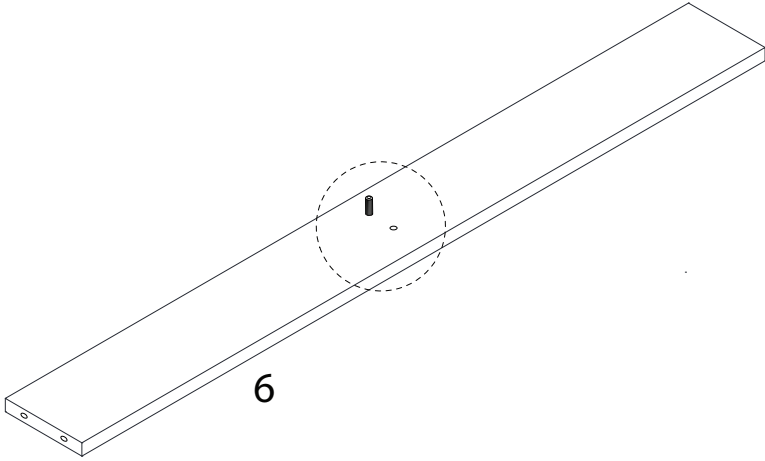
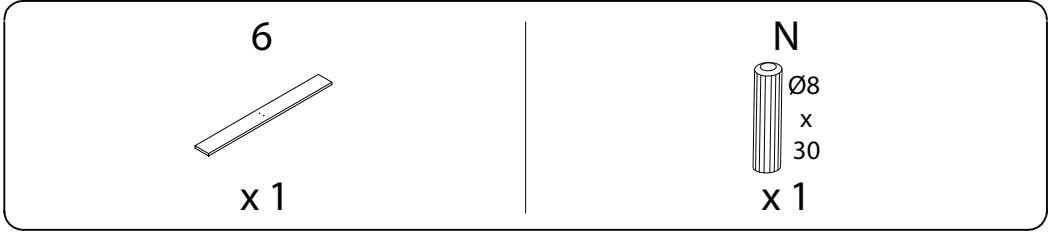
D



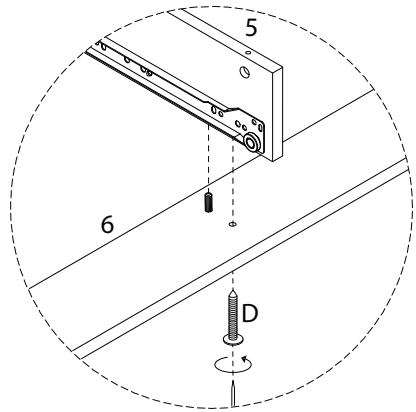
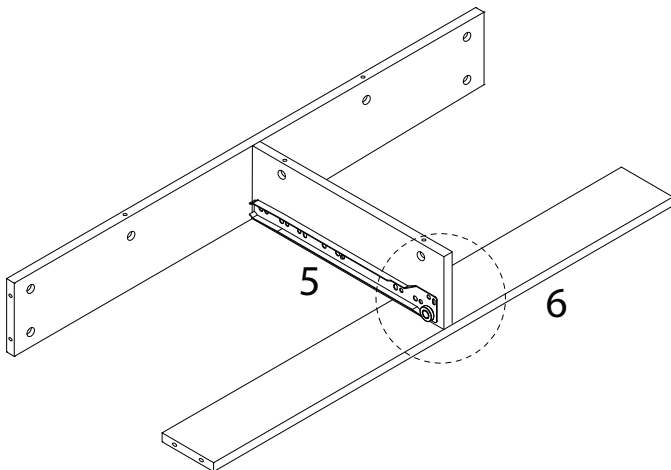
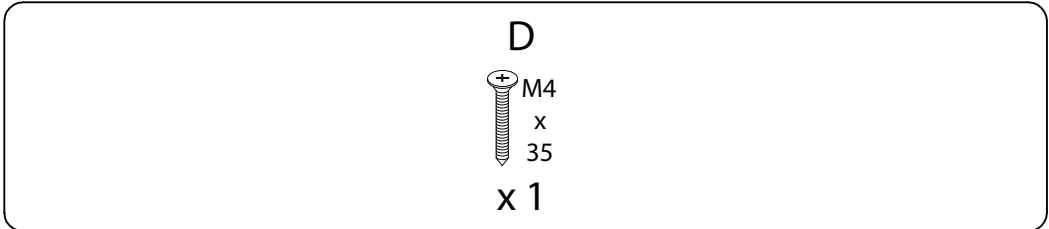
x 2



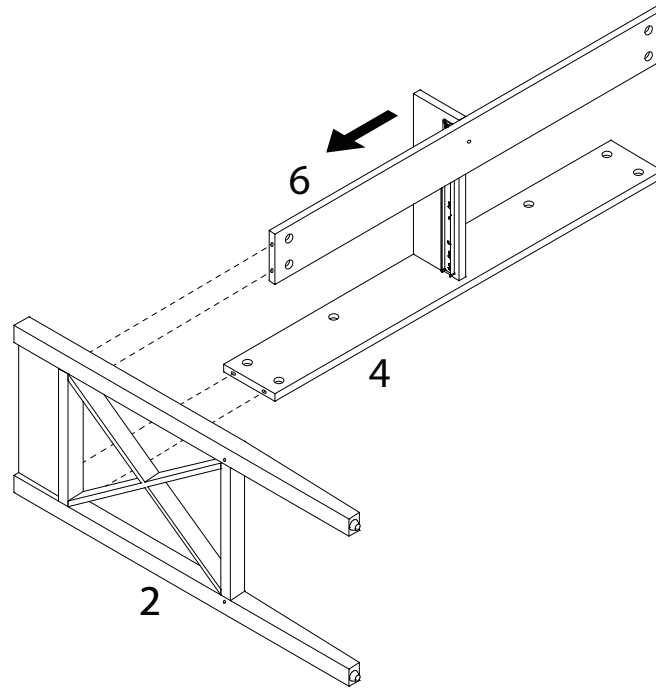
7



8



9

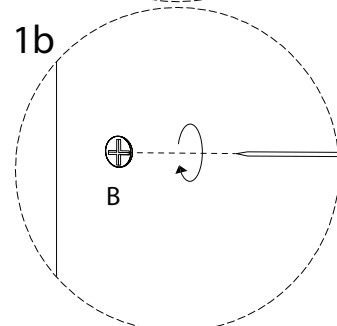
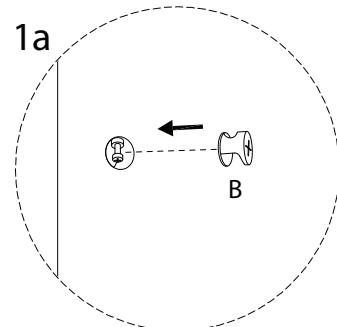
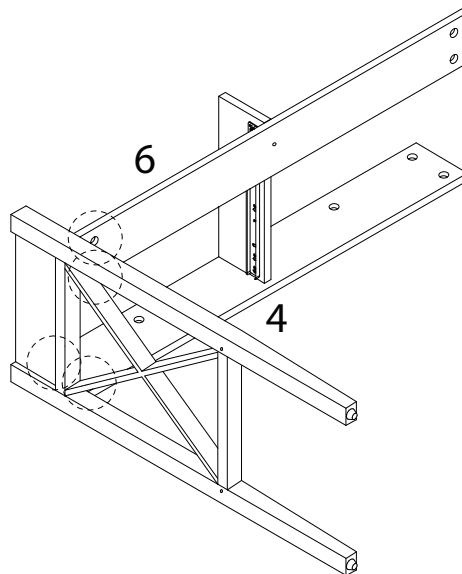


10

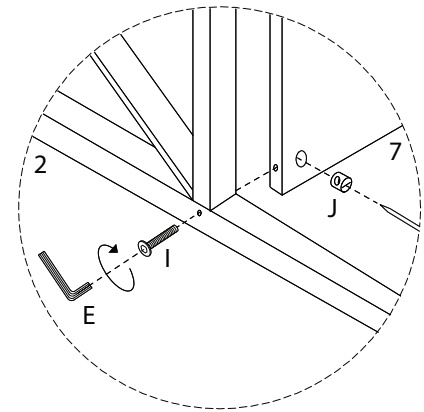
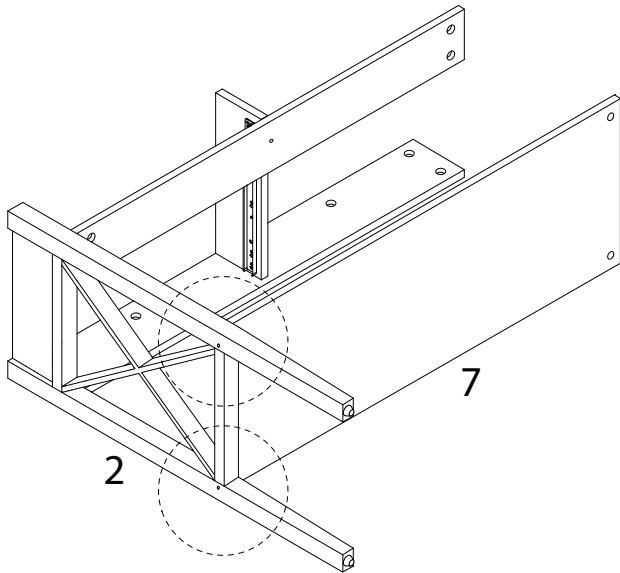
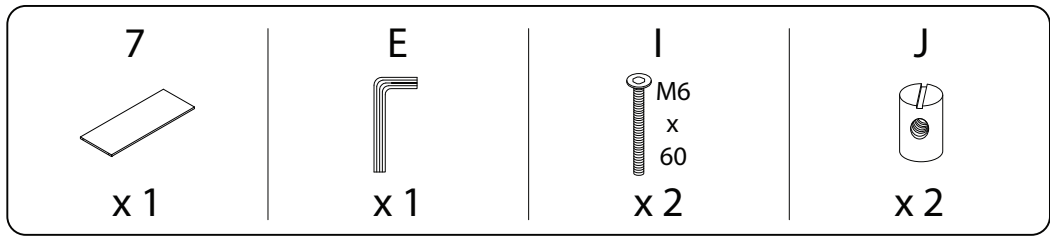
B



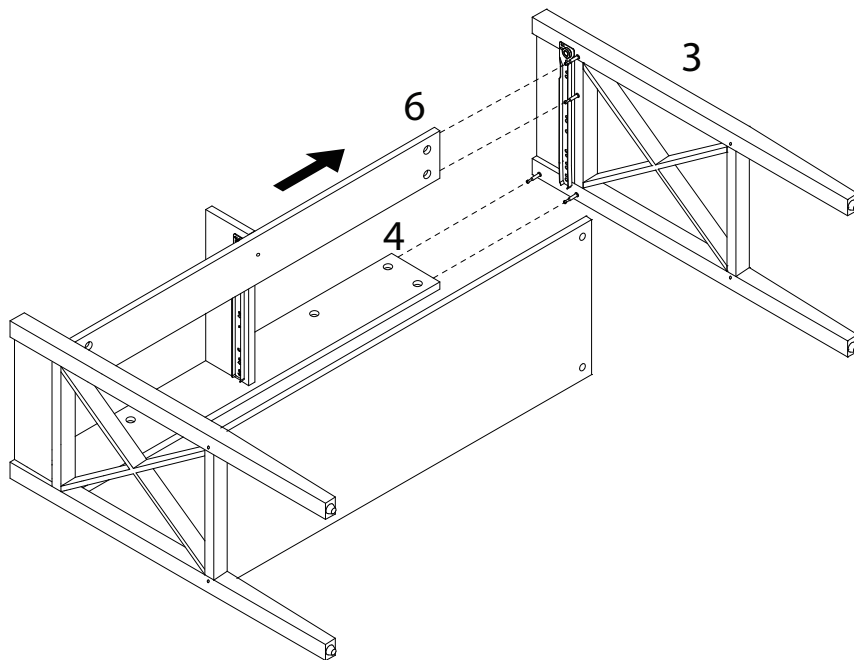
x 4



11



12

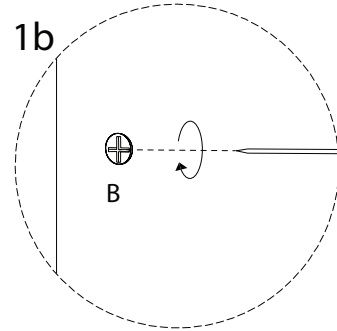
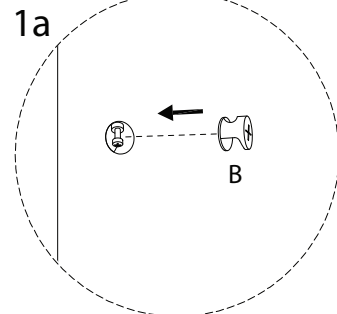
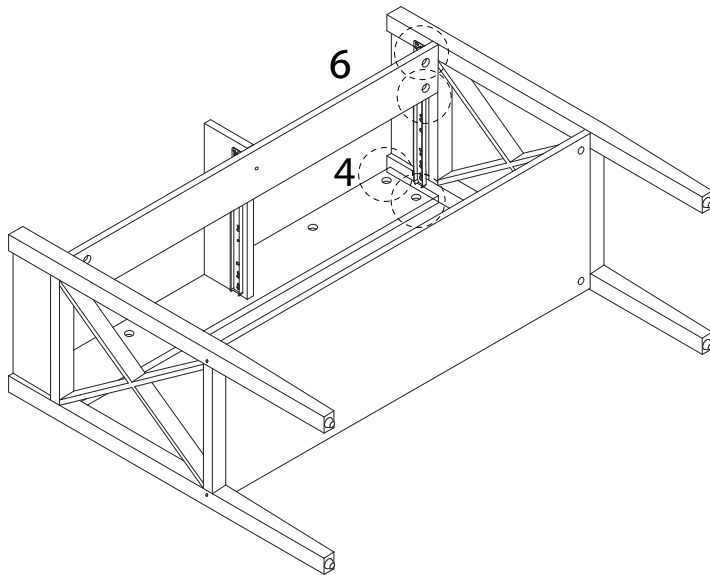


13

B

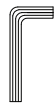


x 4



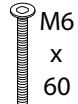
14

E



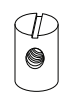
x 1

I

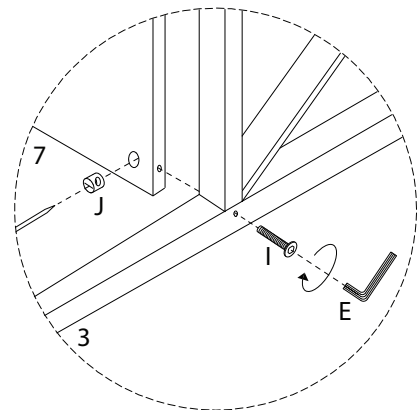
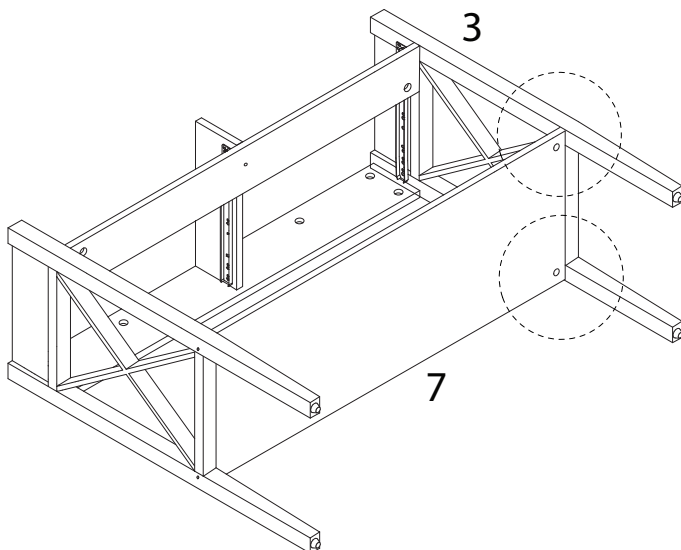


x 2

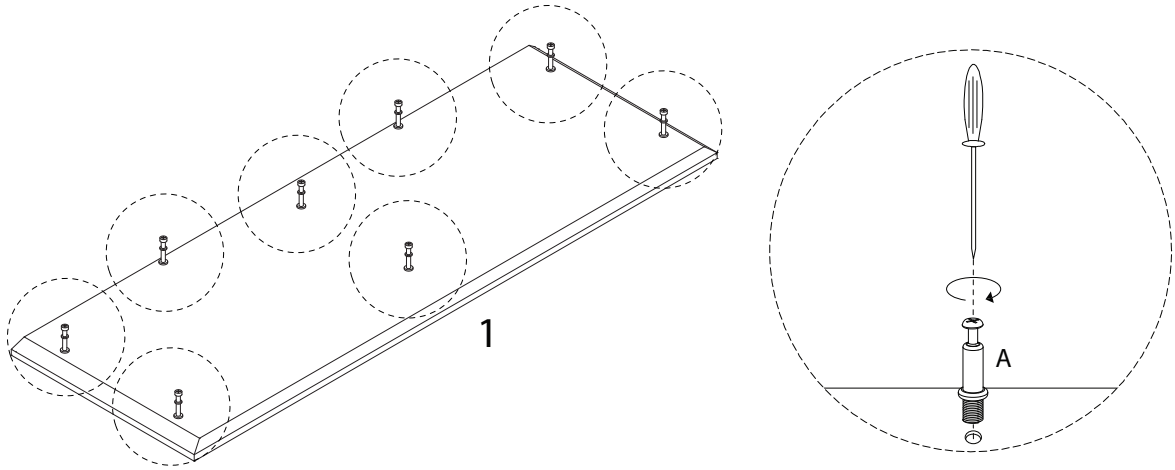
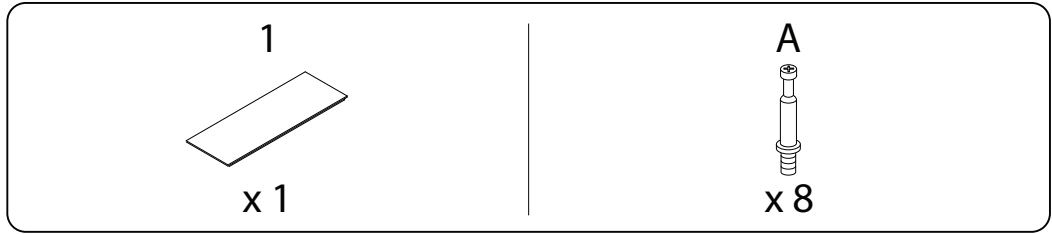
J



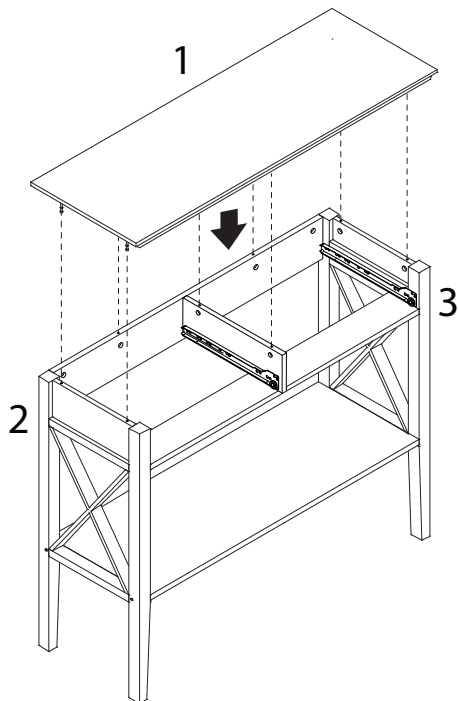
x 2



15



16

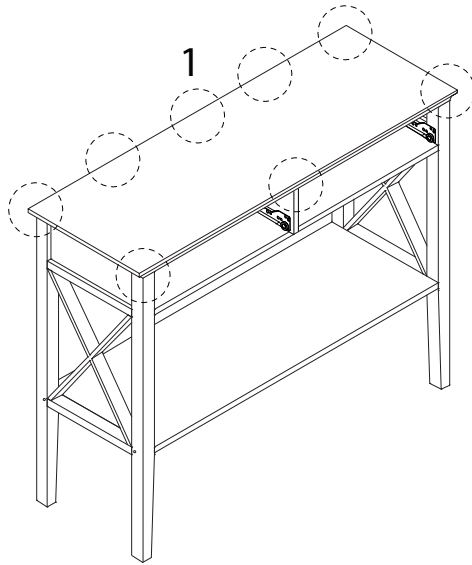


17

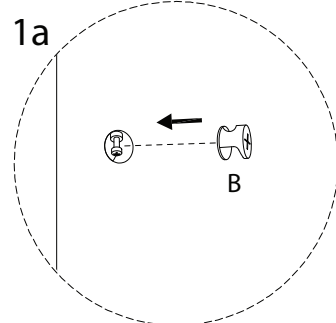
B



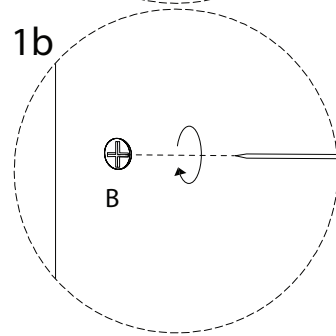
x 8



1a



1b



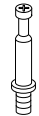
18 x 2

12

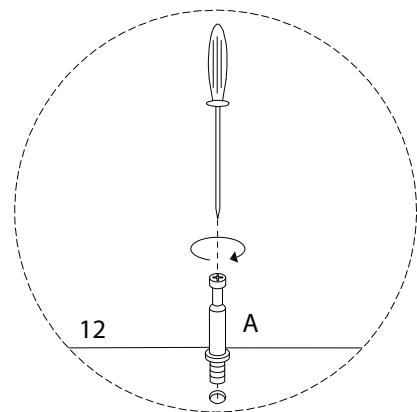
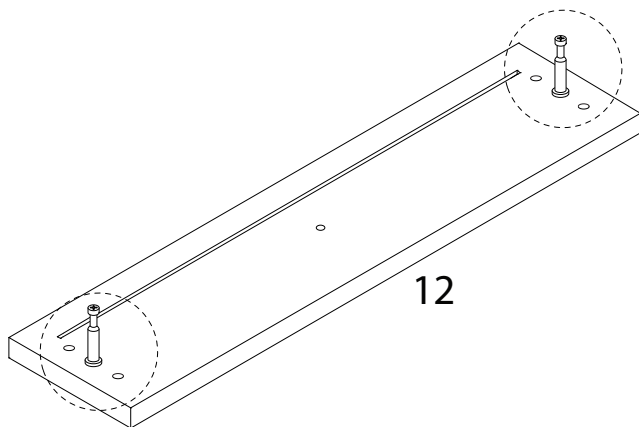


x 1

A

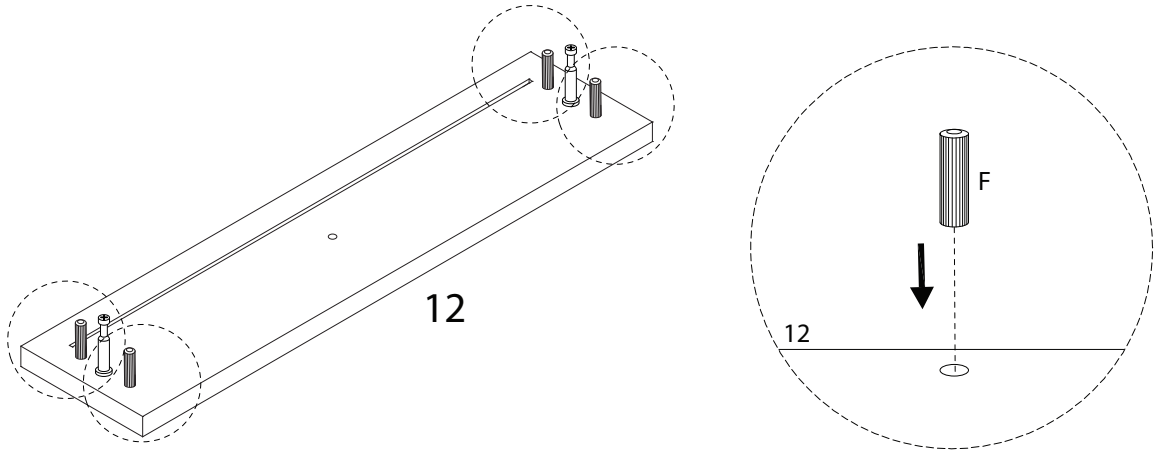


x 2



19 x 2

F
Ø6
x
30
x 4



20 x 2

8

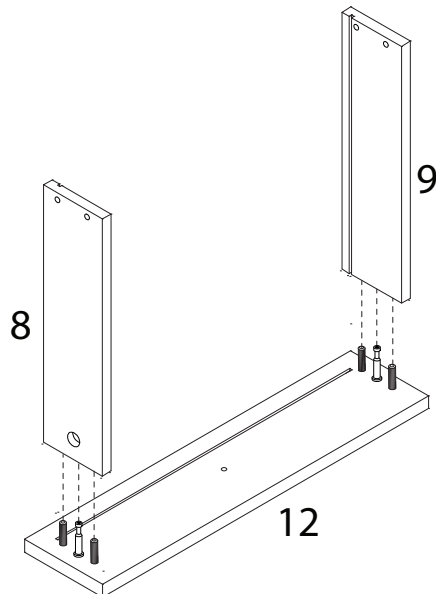


x 1

9



x 1

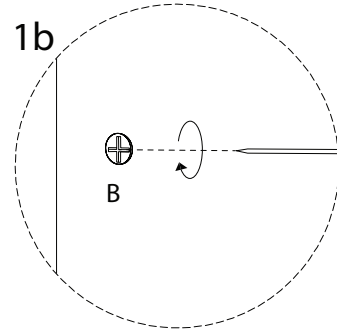
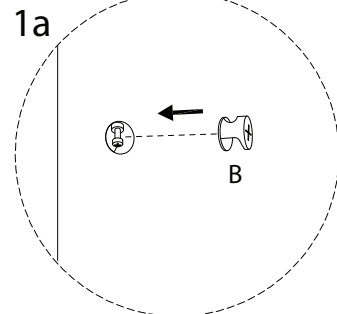
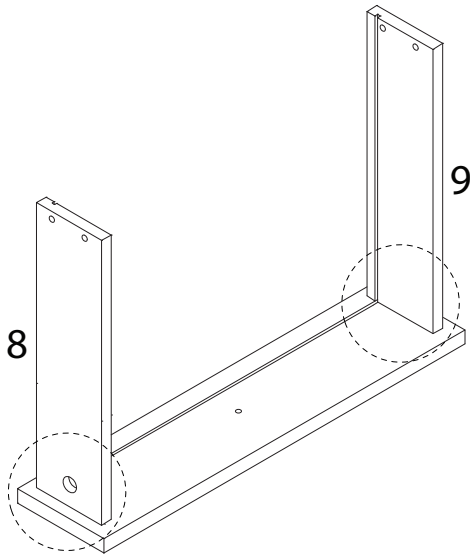


20 x 2

B

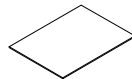


x 2

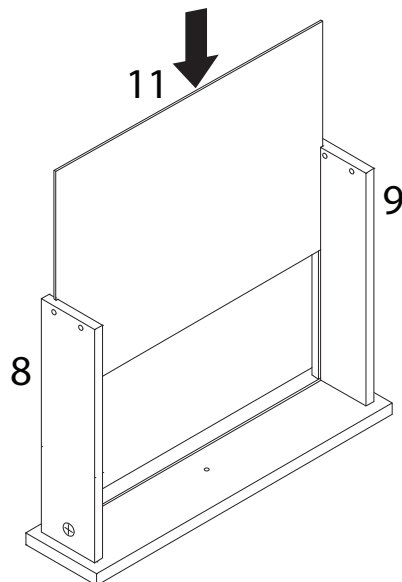


21 x 2

11



x 1



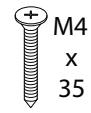
22 x 2

10

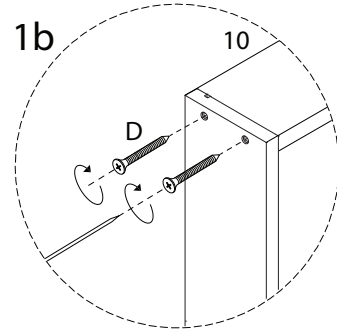
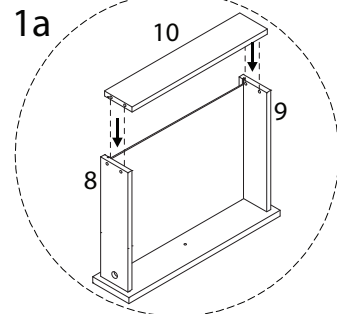
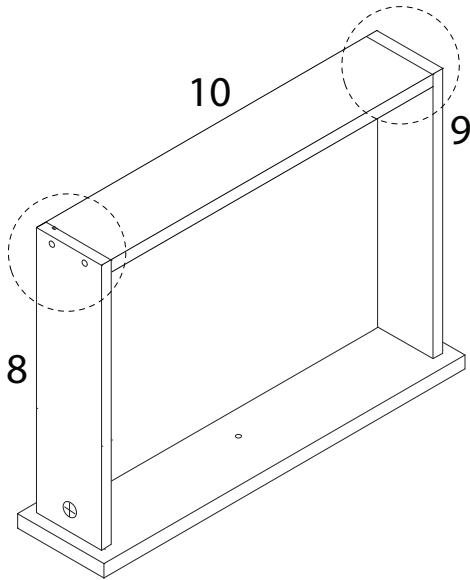


x 1

D

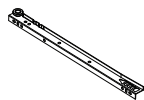


x 4



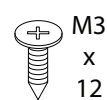
23 x 2

O3

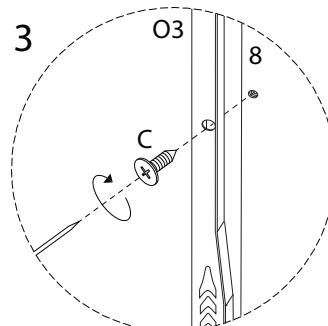
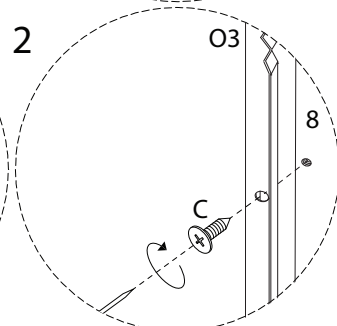
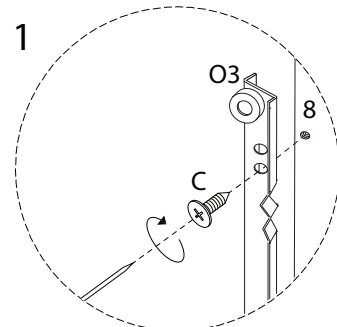
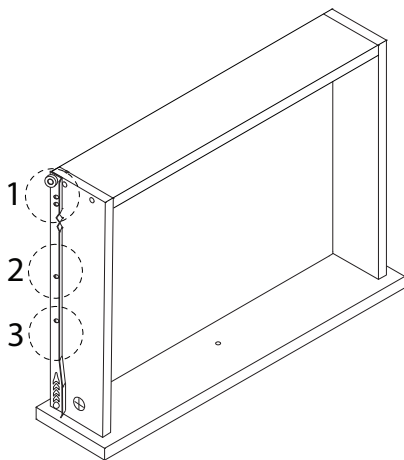


x 1

C

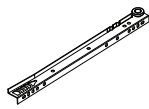


x 3



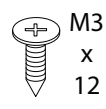
24 x 2

O4

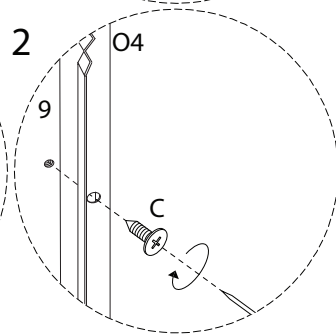
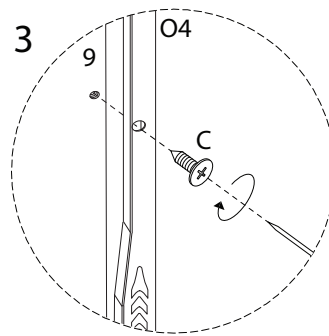
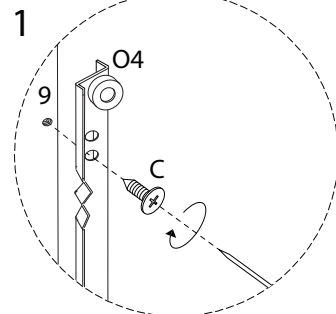
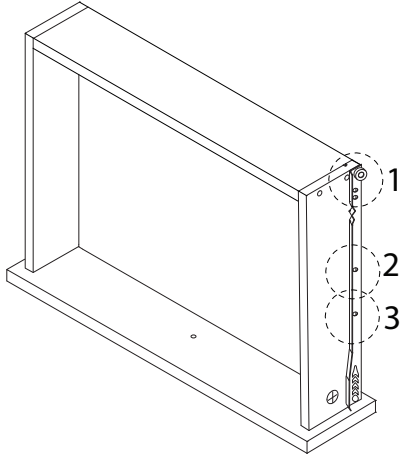


x 1

C



x 3



25 x 2

G

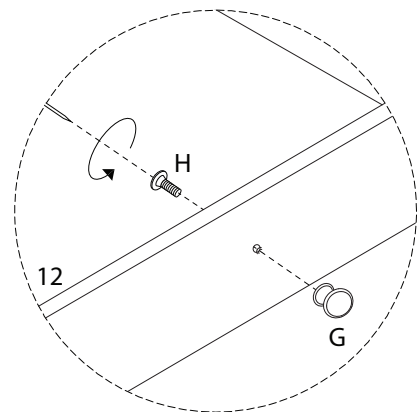
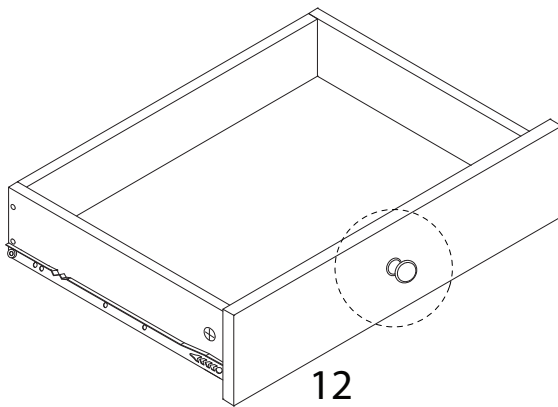


x 1

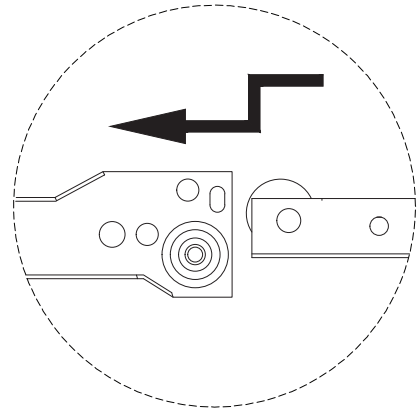
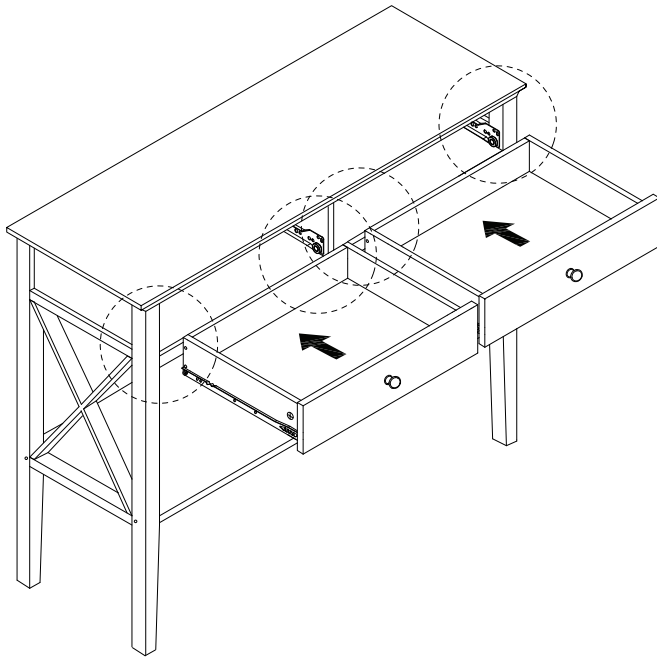
H



x 1



26

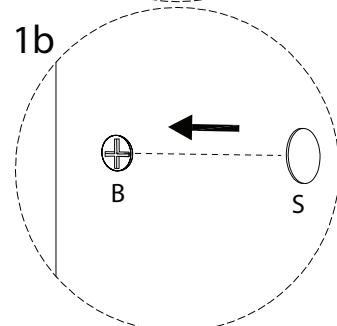
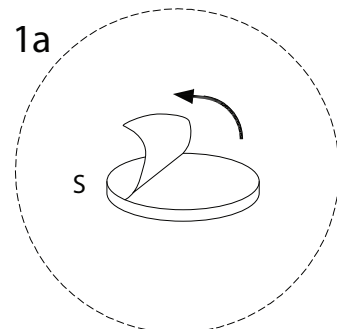
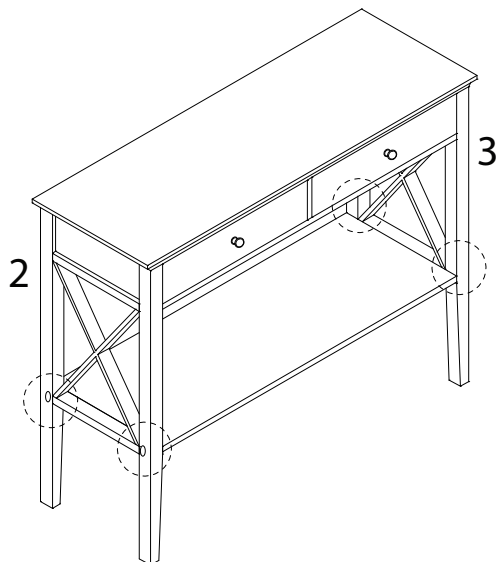


27

S



x 4



28

K



x 2

L

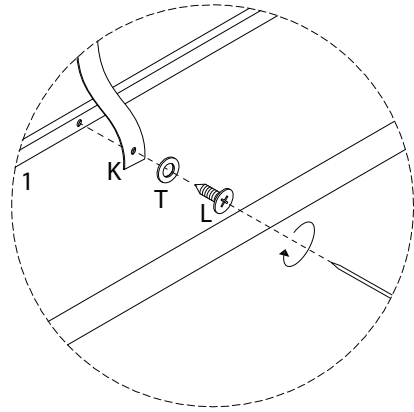
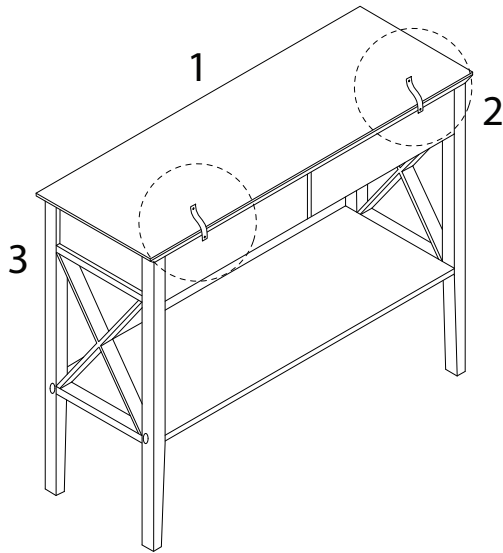


x 2

T

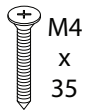


x 2



29

D



x 2

M



x 2

T



x 2

