

AFTERSALE SERVICE

Dear customer,

Thank you so much for purchasing the product from us, we really appreciate your support.

We are aimed to provide the best shopping experience to our customers. We also want to build a mutually beneficial relationship with our customers, and step further to make our brand both reliable, responsible and recommendable.

We hope that our products could meet your needs and expectations, please consider us again if you need more products for your home and kitchen.

The package would be out of our control during shipping, please contact us through your purchasing channel directly if there is anything wrong with the box or contents. We are always here offering you our service.

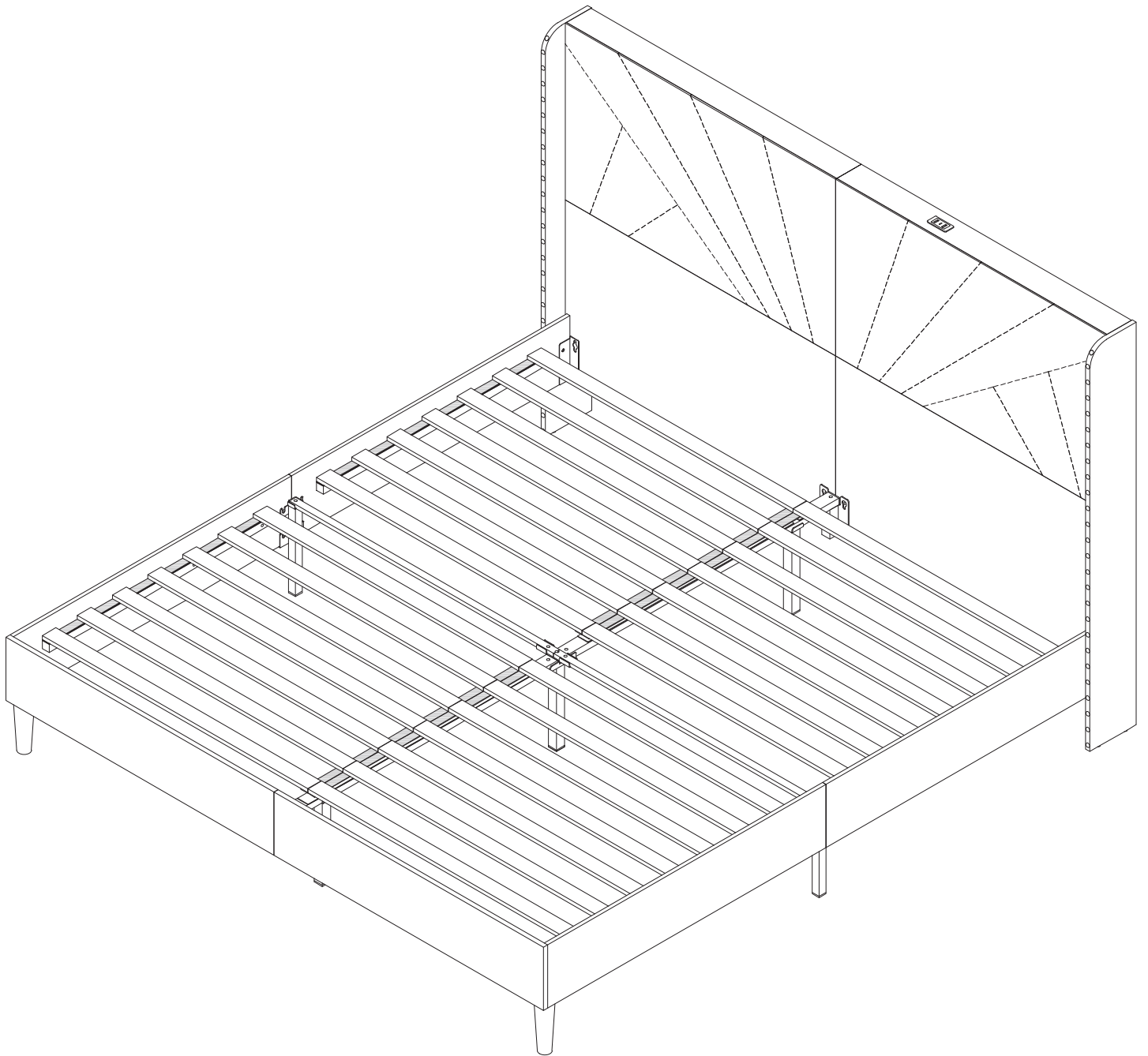
We will reply your messages within 24 hours, please kindly wait for the response from our professional service team.

Your comfort and contentment are of utmost importance.

Best Regards,

Customer Care Specialist

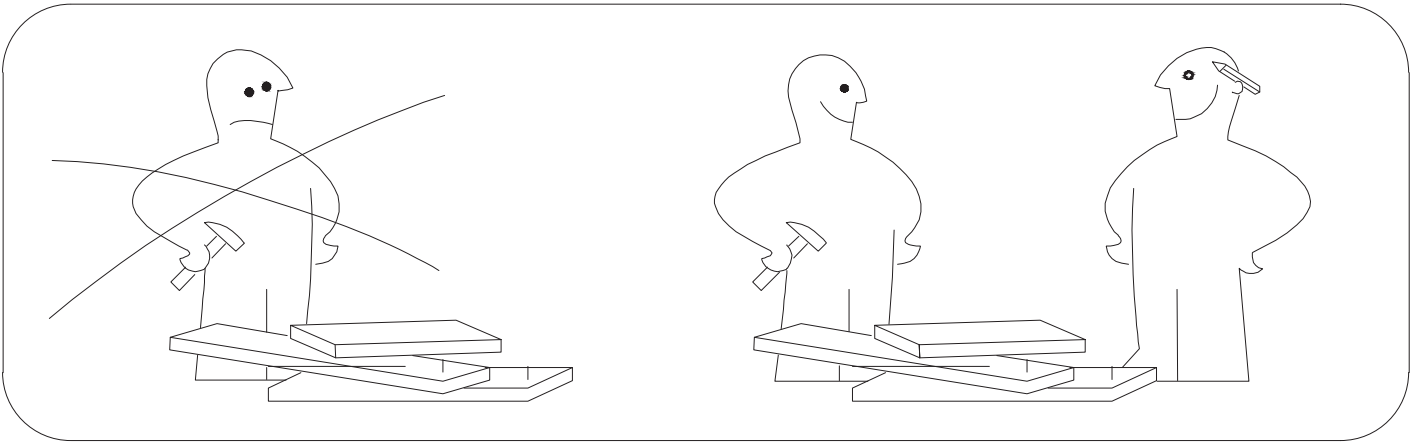
ASSEMBLY INSTRUCTION



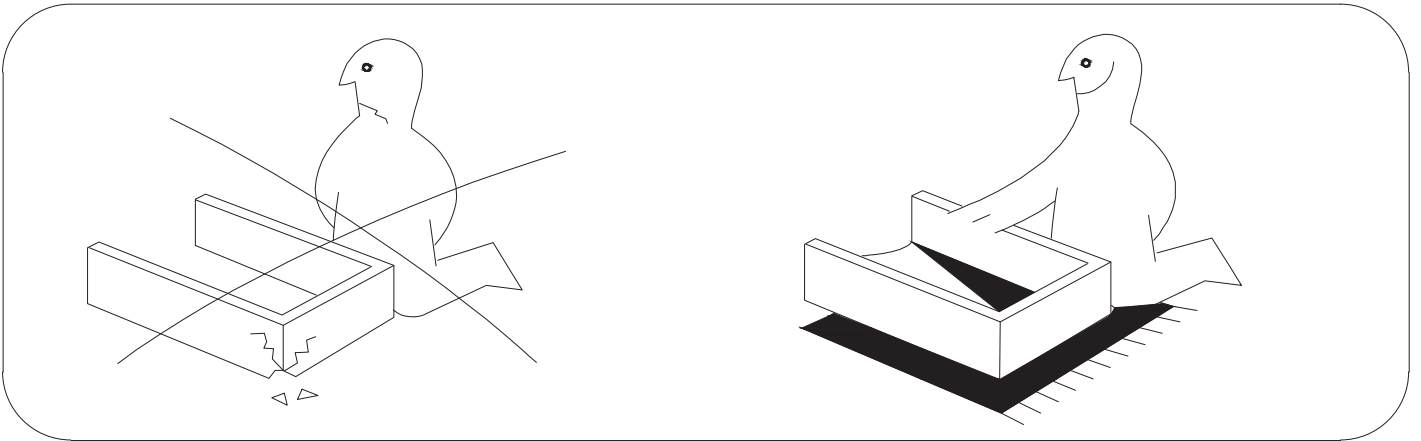


WARNING

Need Two Or More People To Complete

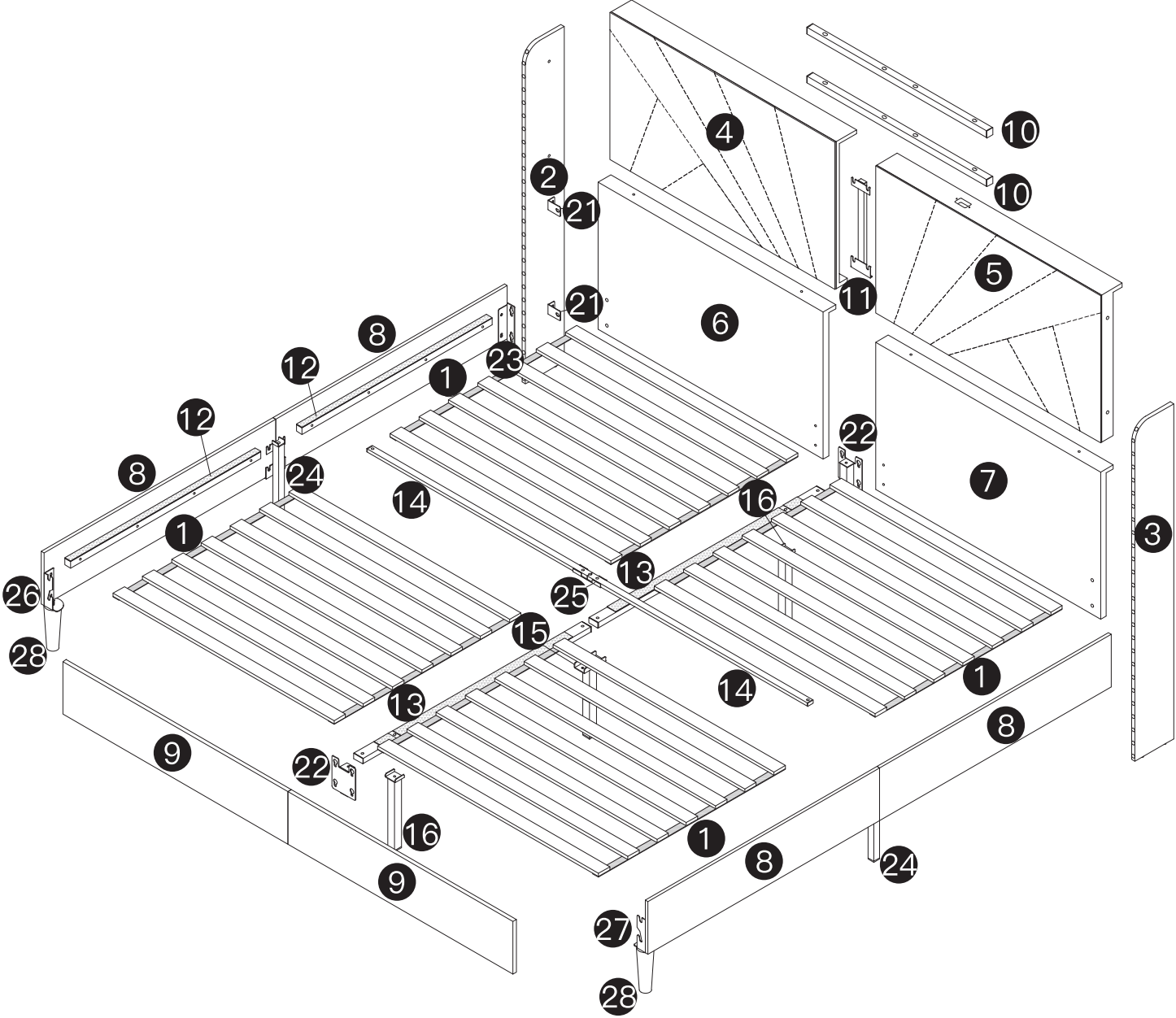


Assemble Item On a Clean Flat Surface



- Please check you have all hardware before assembling.
- Please ensure you have the name of the item and hardware part required and quantity.
- If you have any questions, please contact us by original purchase platform. we will reply you ASAP.

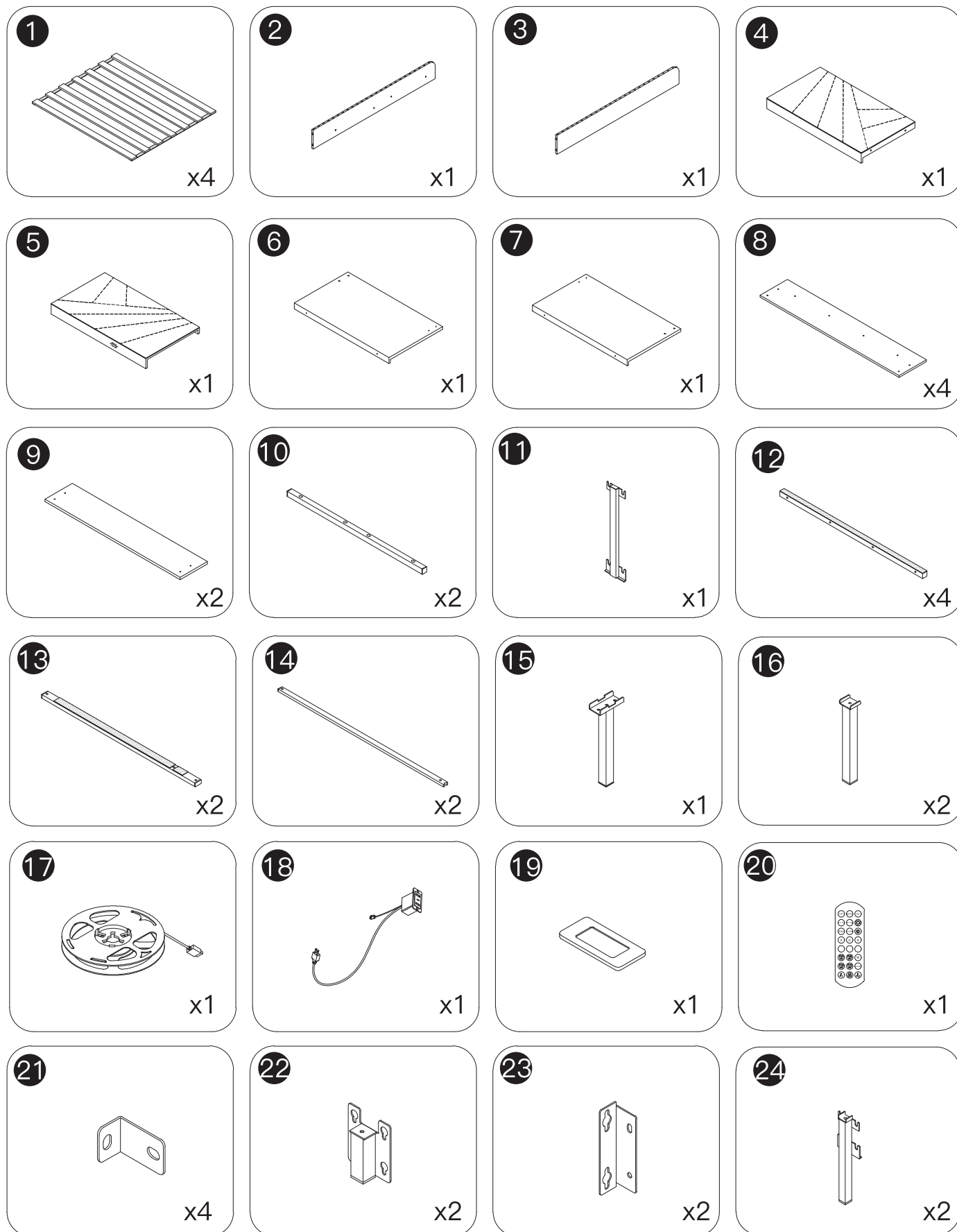
EXPLODED DRAWING:

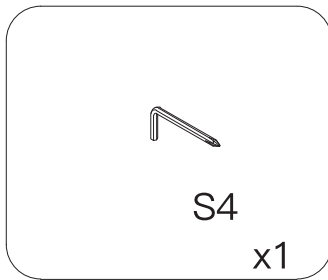
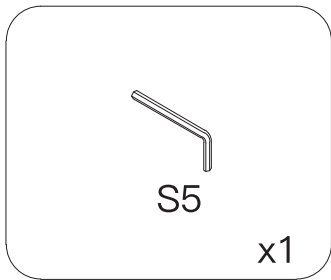
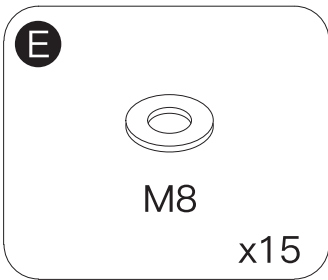
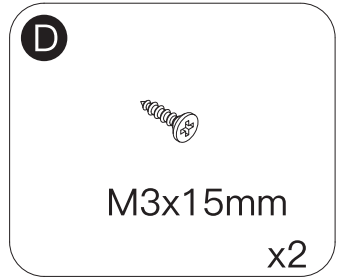
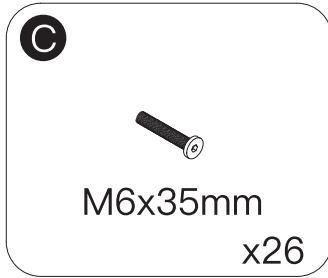
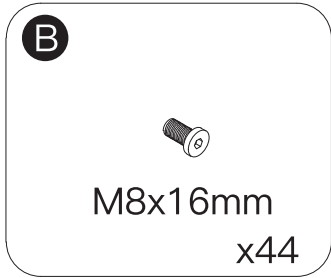
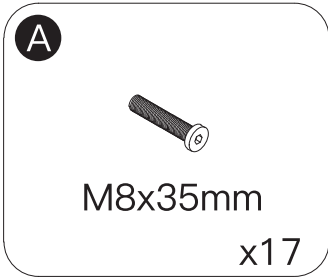
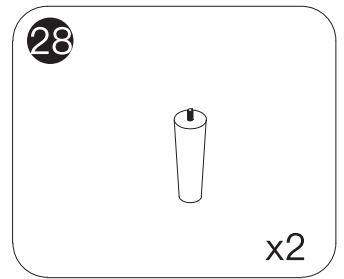
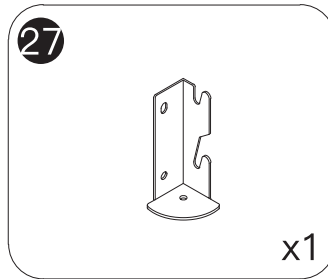
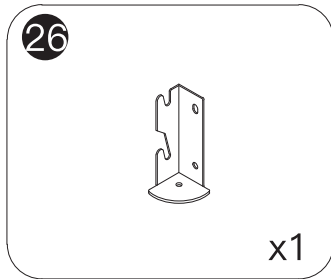
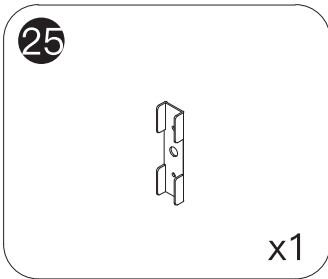


Please check all parts and accessories according to the parts list before assembling, make sure all contents are sufficient and in good condition.

If there is any parts missing or defective, please contact us with purchase platform message immediately to get replacement parts.

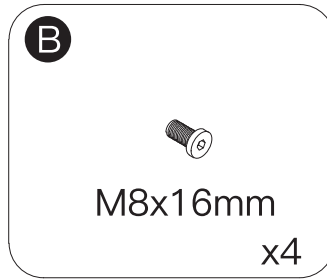
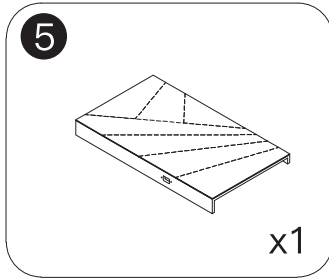
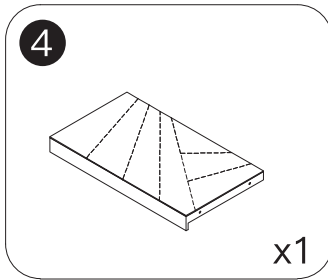
PARTS:





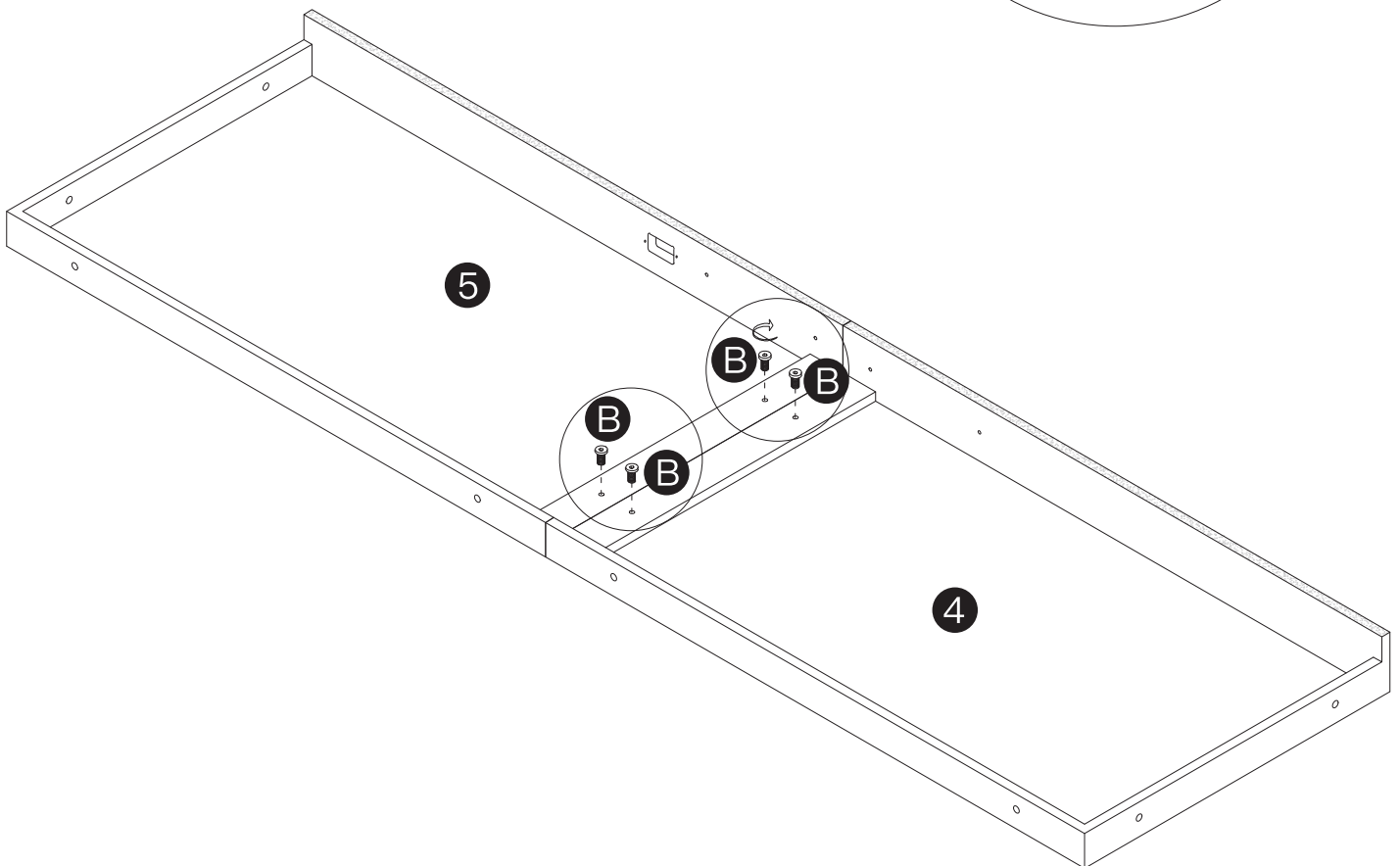
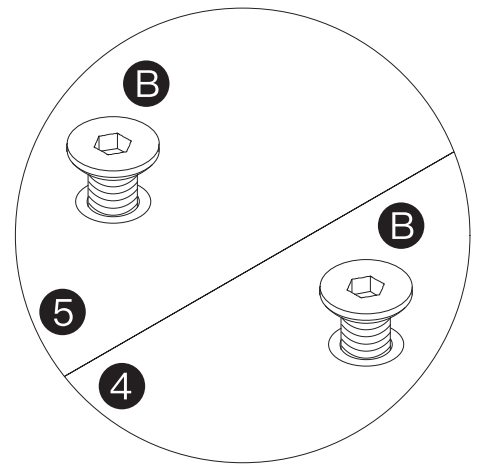
HOW TO INSTALL

STEP 1

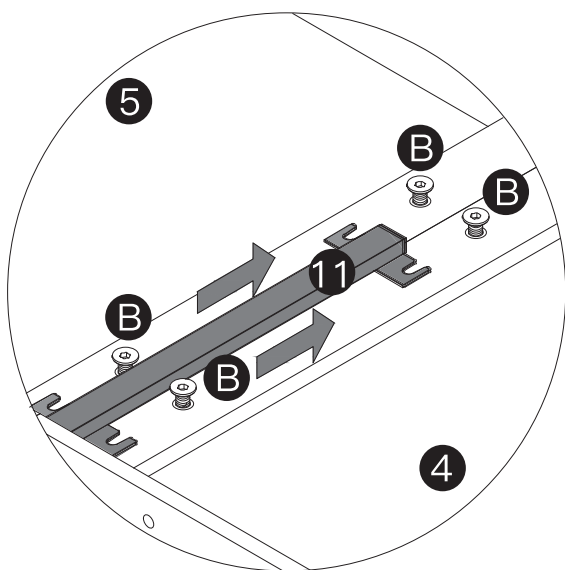
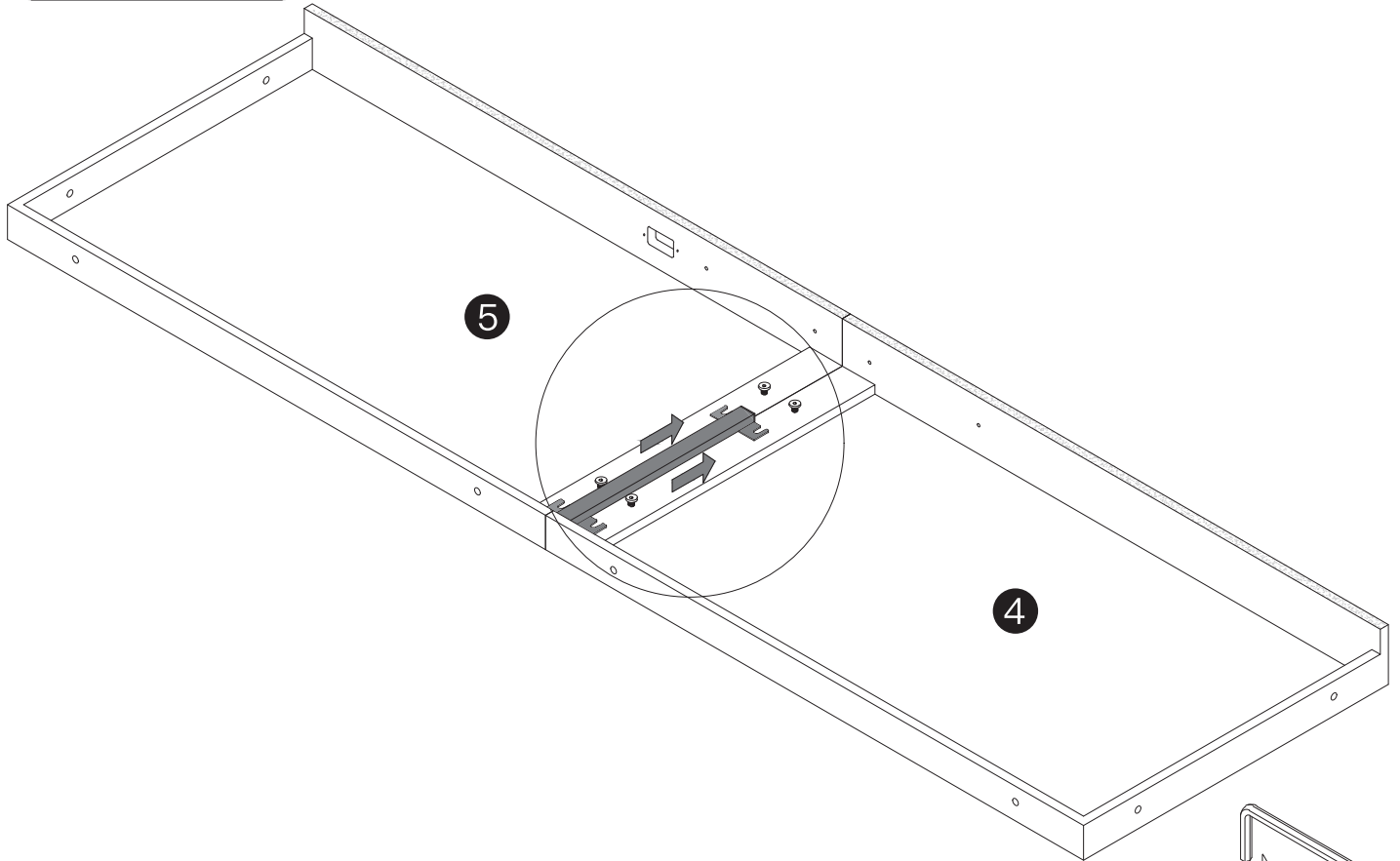
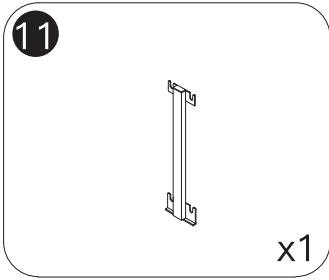


NOTICE:

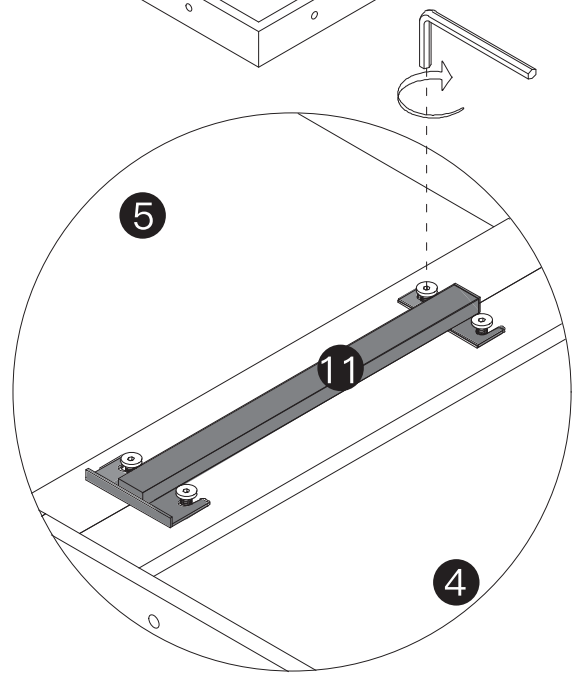
Please screw part **B** in 1/2 at the marked position to make assembly easier.



STEP 2

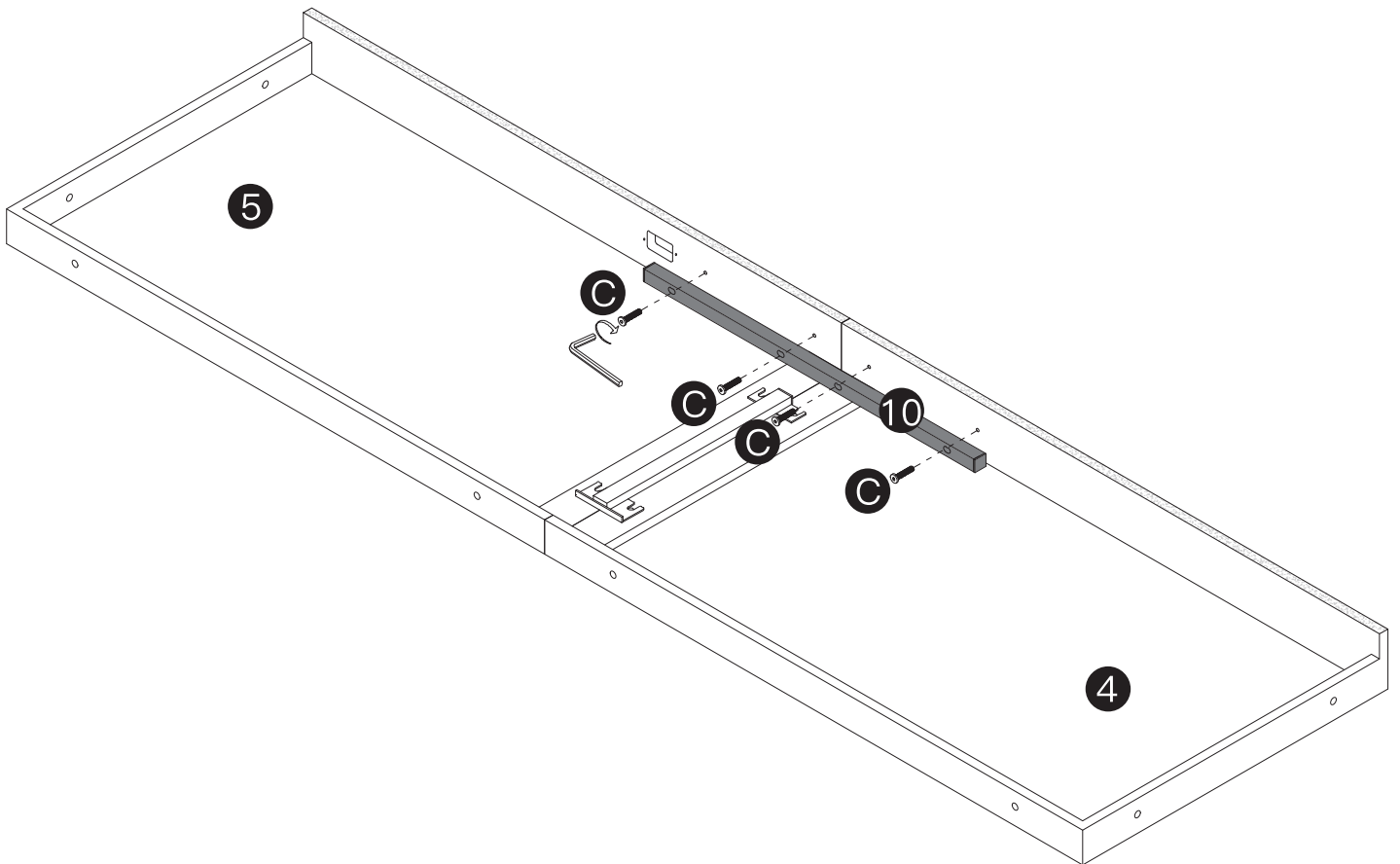
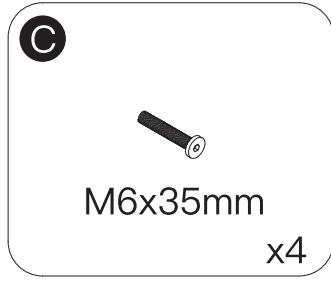
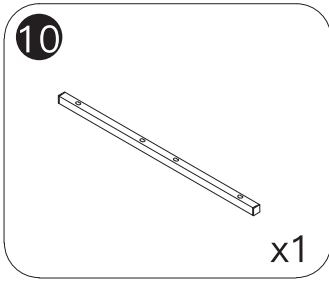


Hang part **B** onto part **11**.

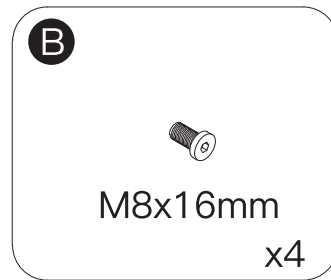
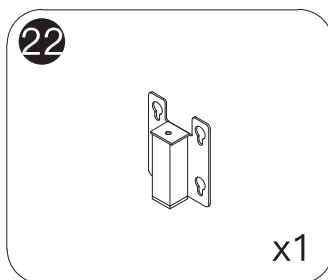
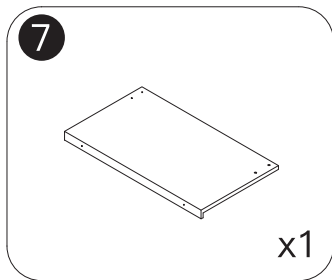
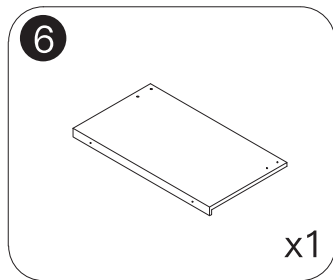


Tighten part **B** on part **11** after hooking up.

STEP 3

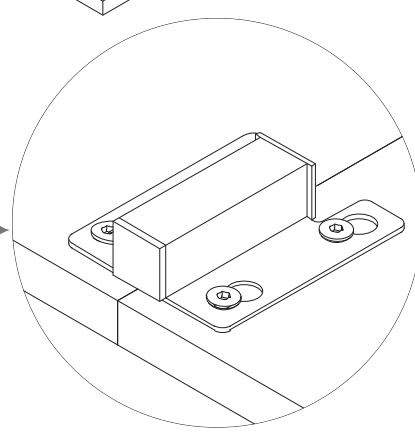
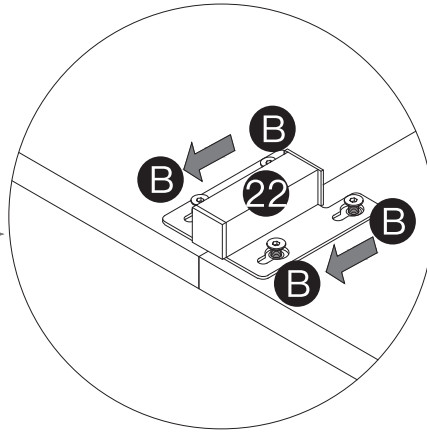
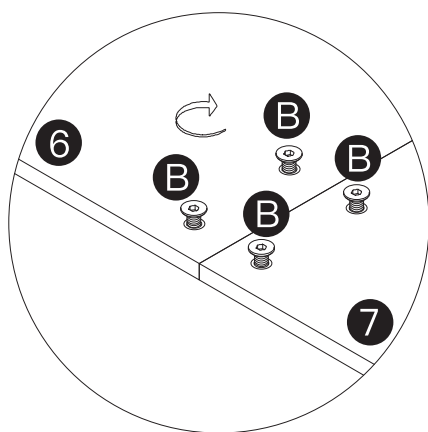
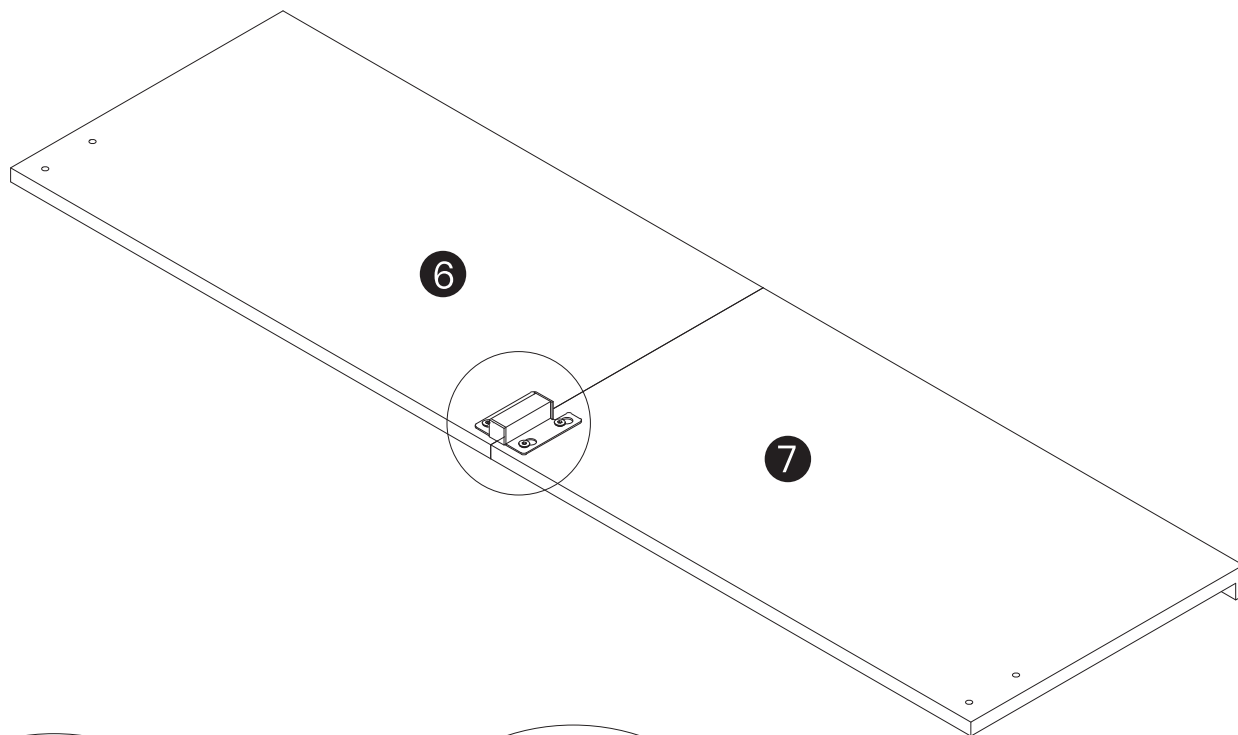


STEP 4



NOTICE:

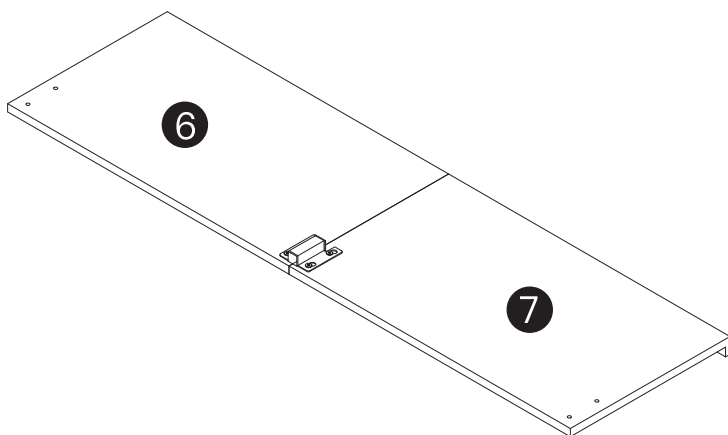
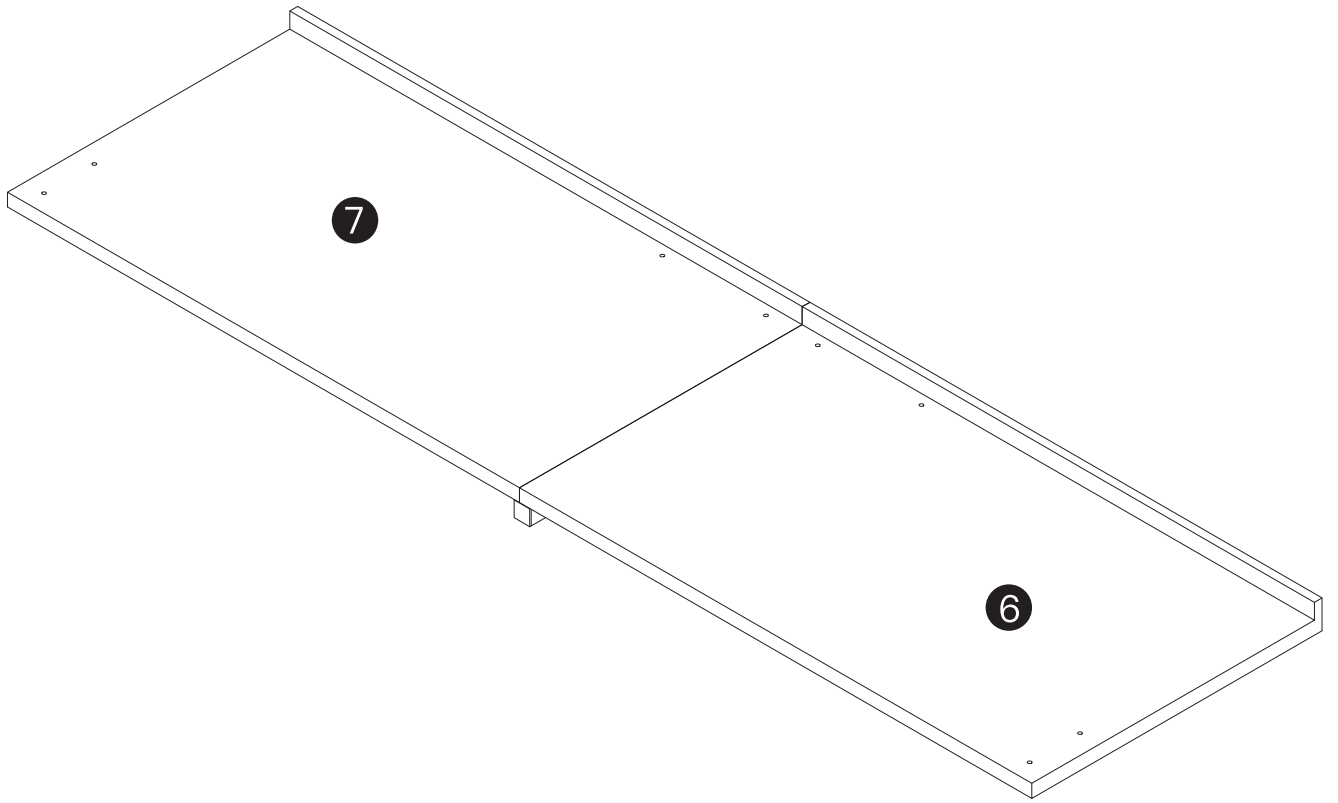
Please pay attention to the direction of part 22 .



Please screw part B in 1/2 at the marked position to make assembly easier.

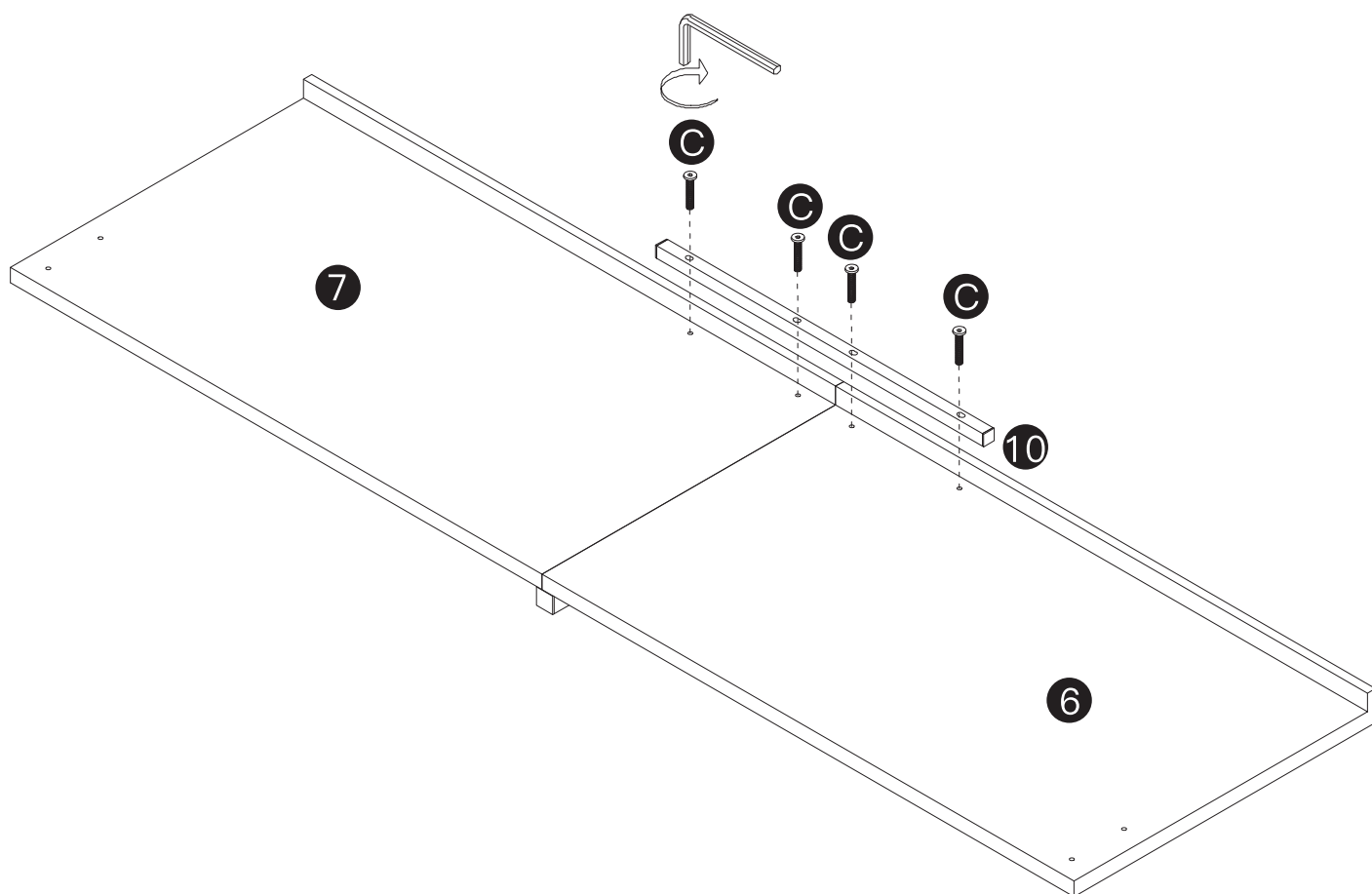
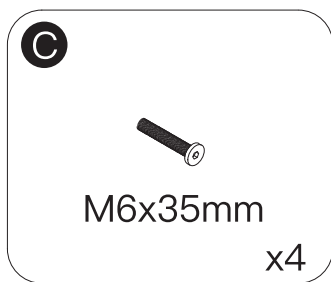
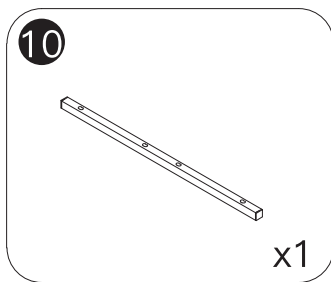
Hang part B onto part 22 , then tighten part B .

STEP 5

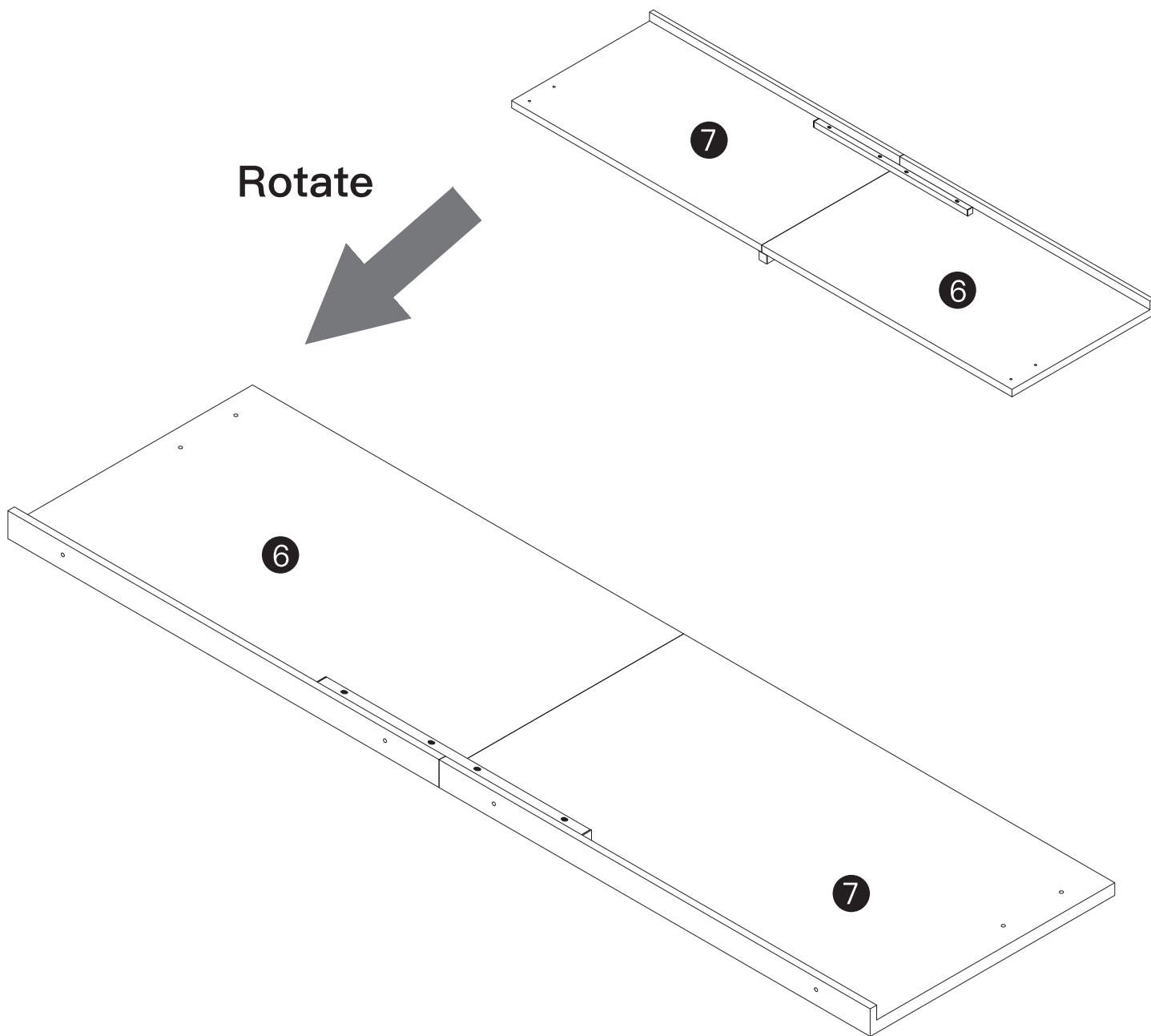


Turn over

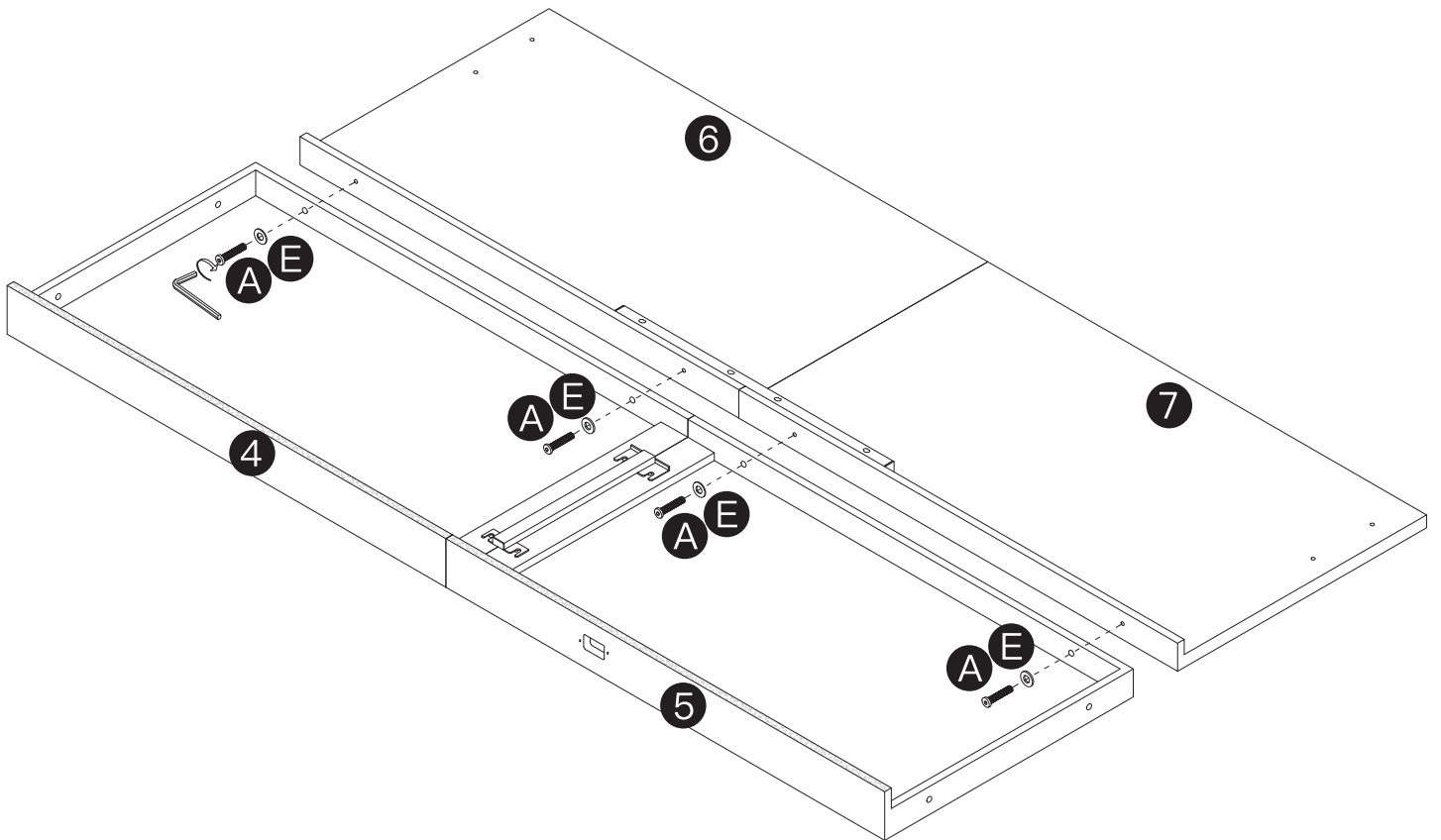
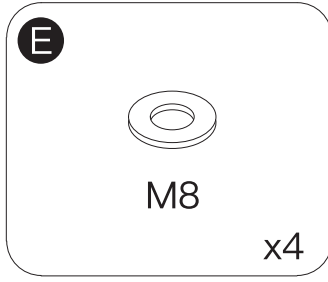
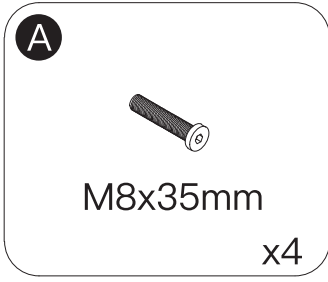
STEP 6



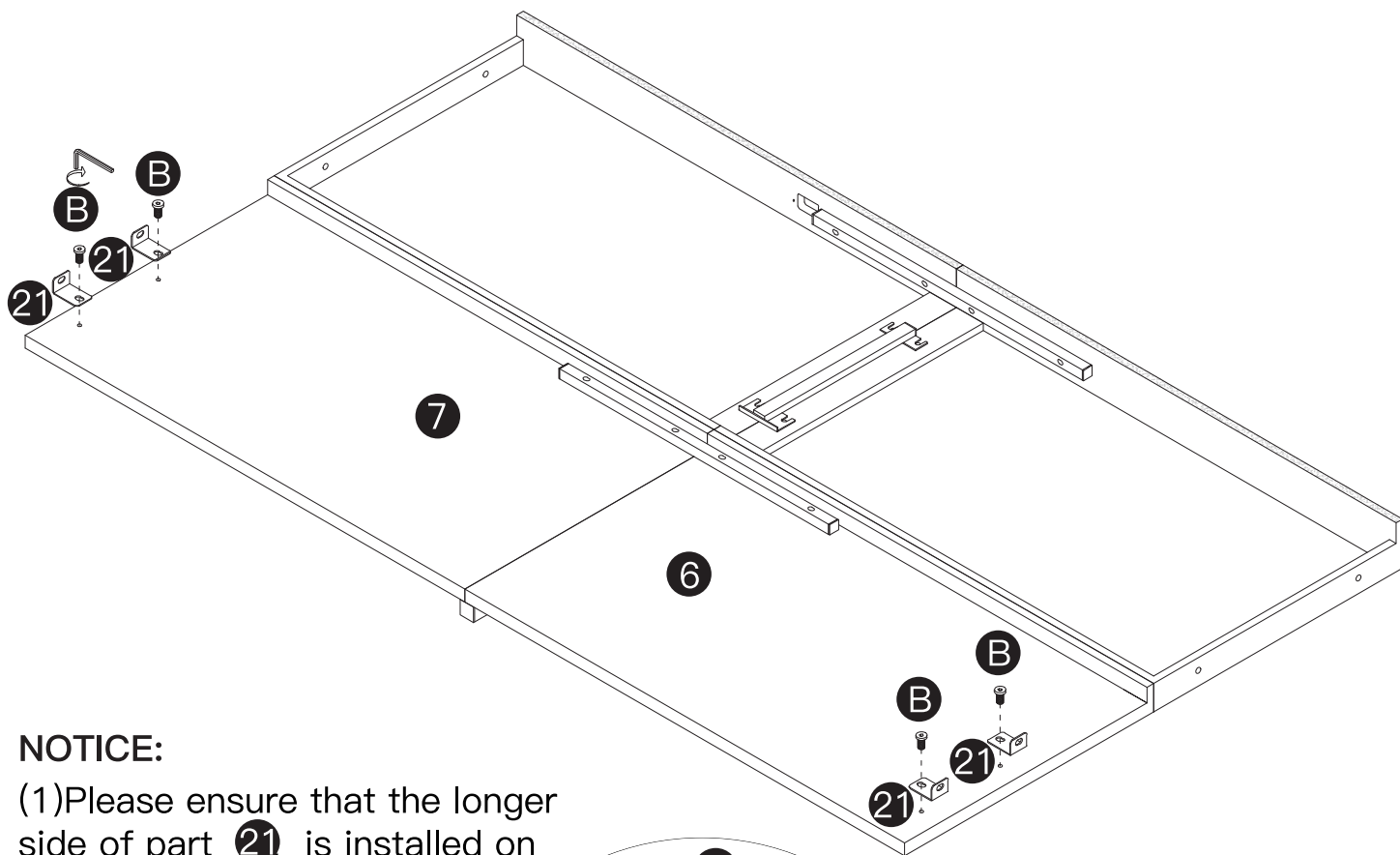
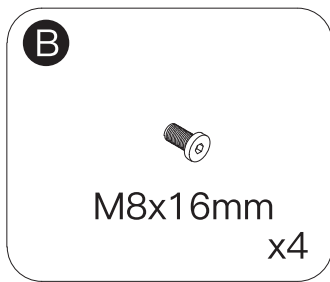
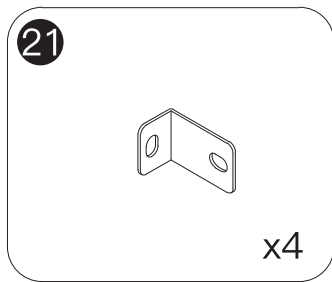
STEP 7



STEP 8

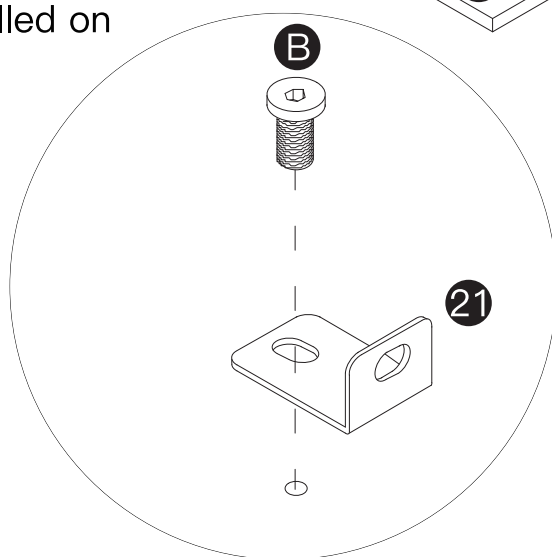


STEP 9



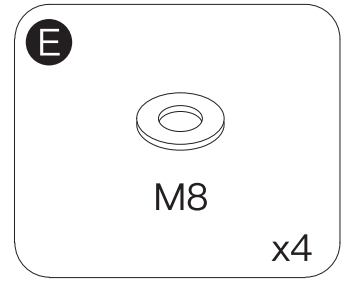
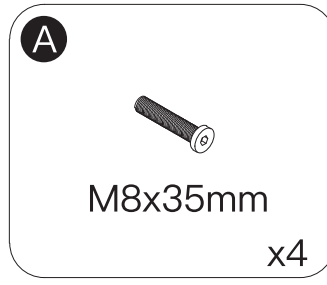
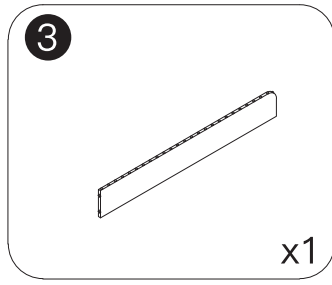
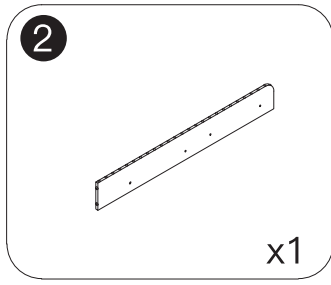
NOTICE:

(1) Please ensure that the longer side of part 21 is installed on part 6 & 7.



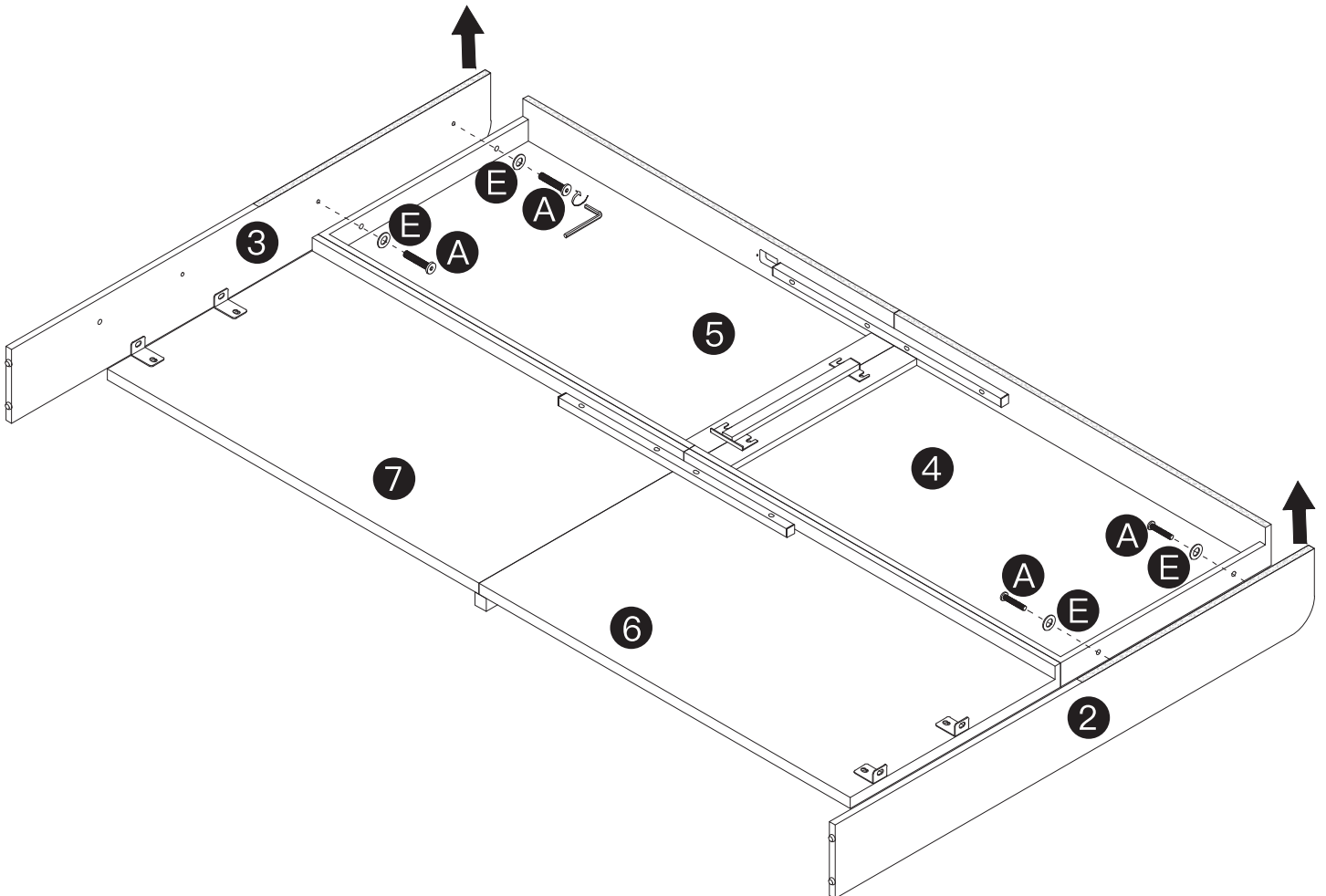
(2) Do not tighten screw B until part 2 & 3 are installed completely.

STEP 10



NOTICE:

Please ensure that the side of part ② & ③ with the magic buckle is facing upwards.



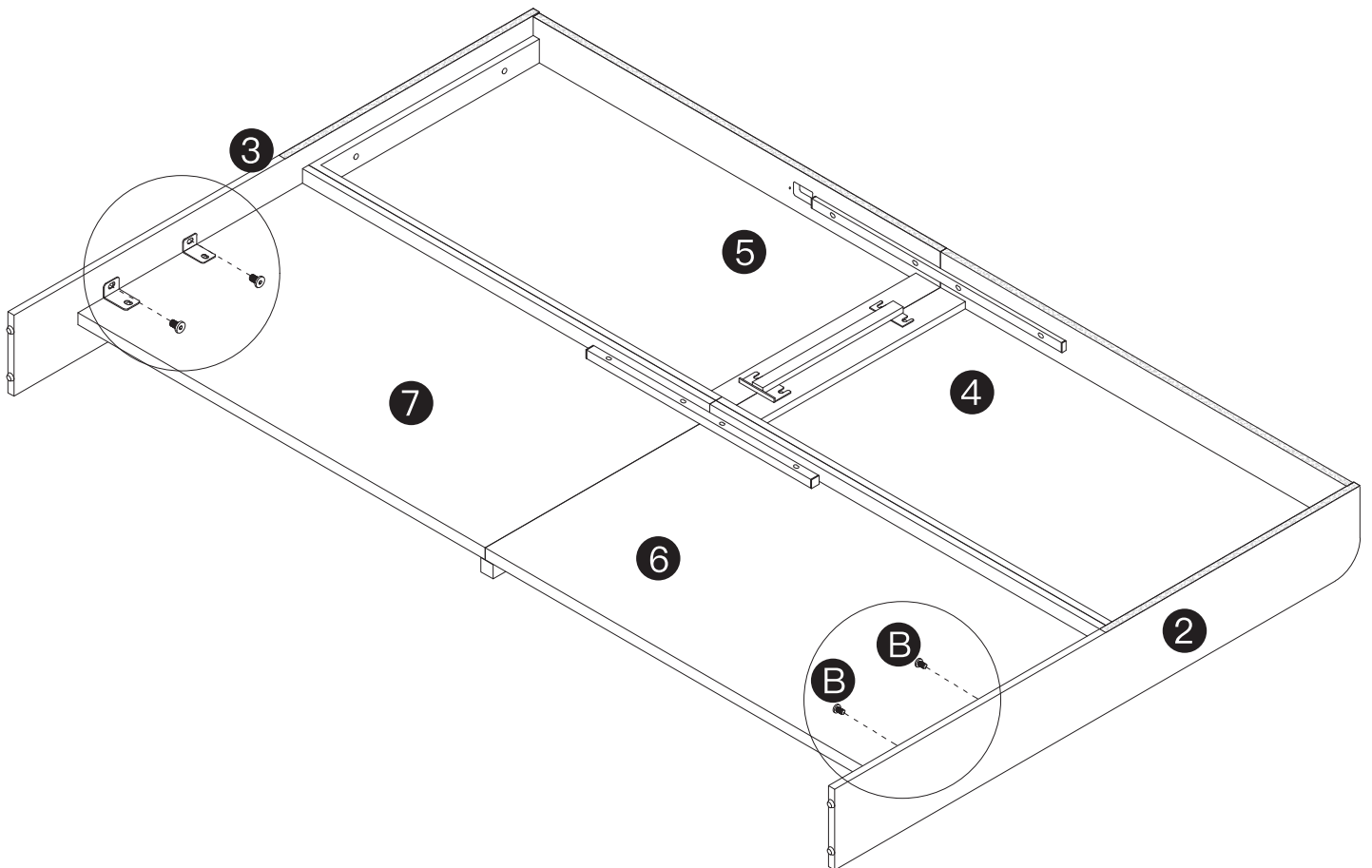
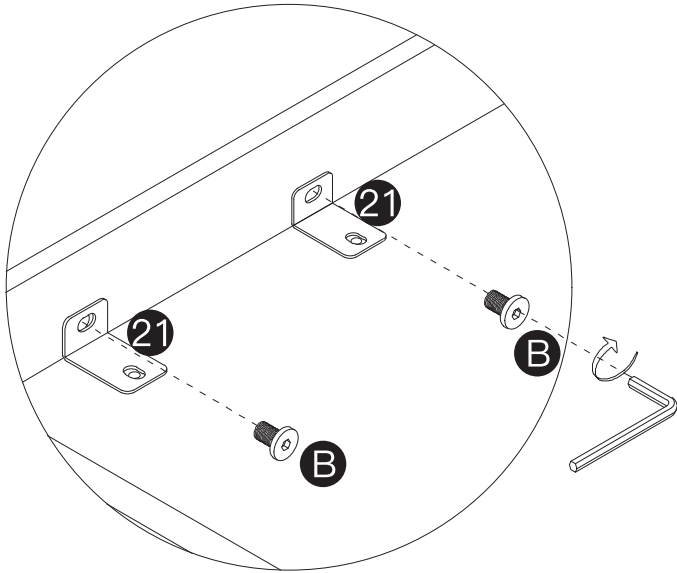
STEP 11

B

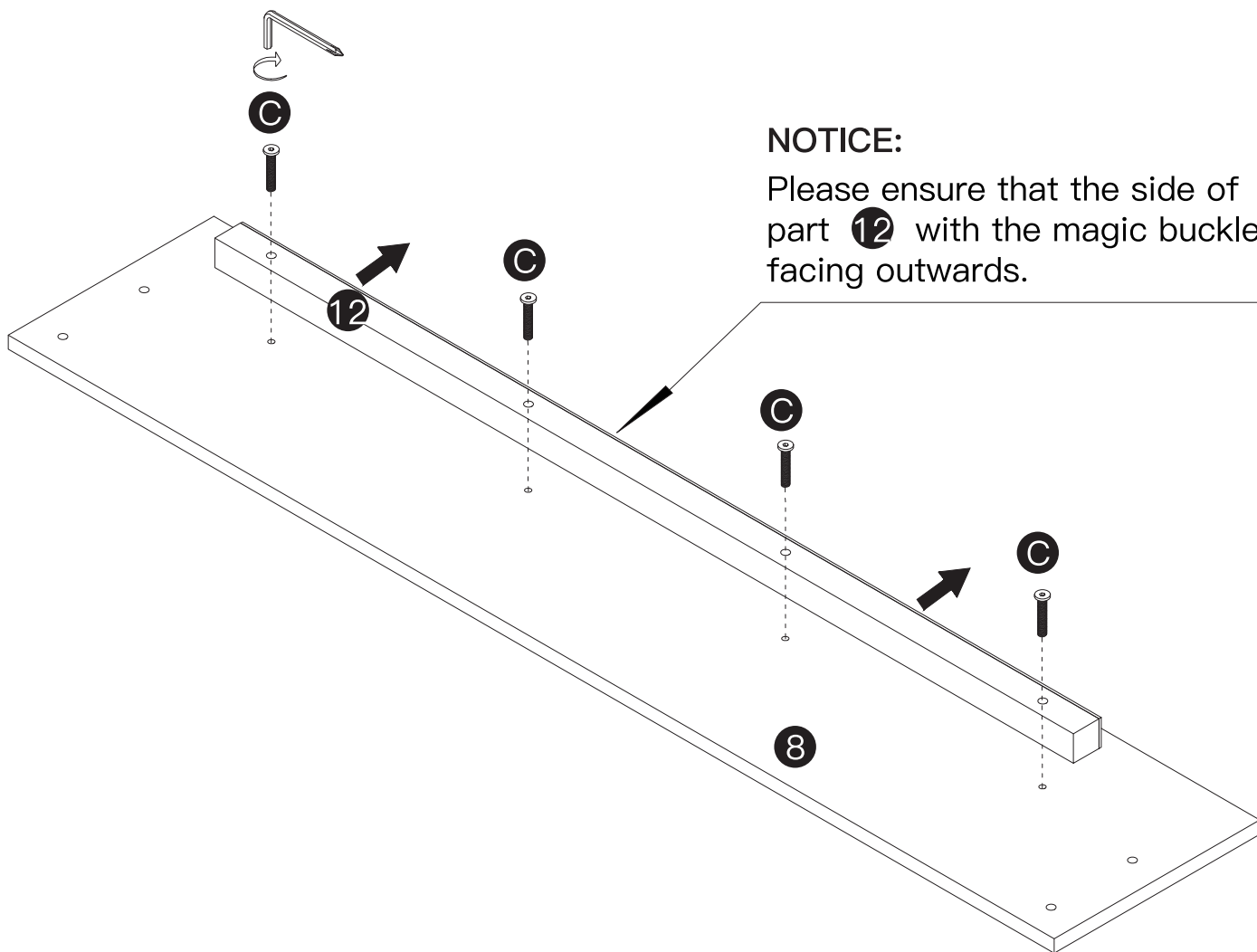
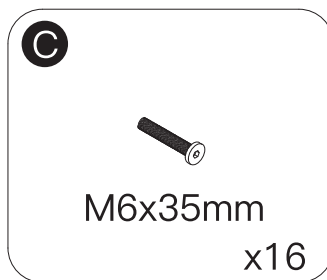
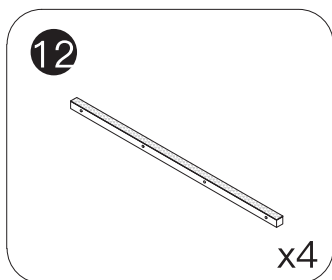
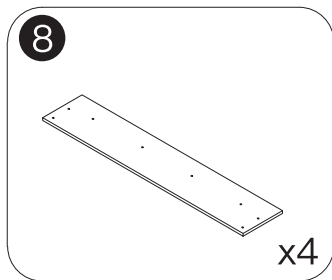


M8x16mm

x4



STEP 12

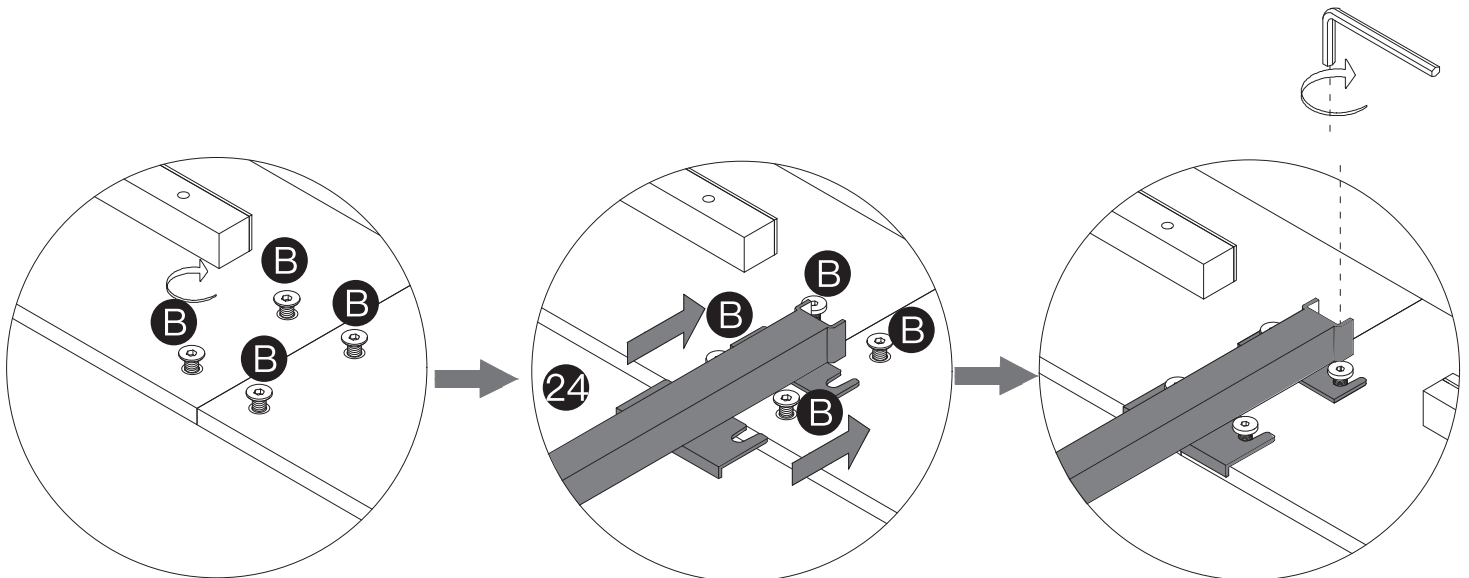
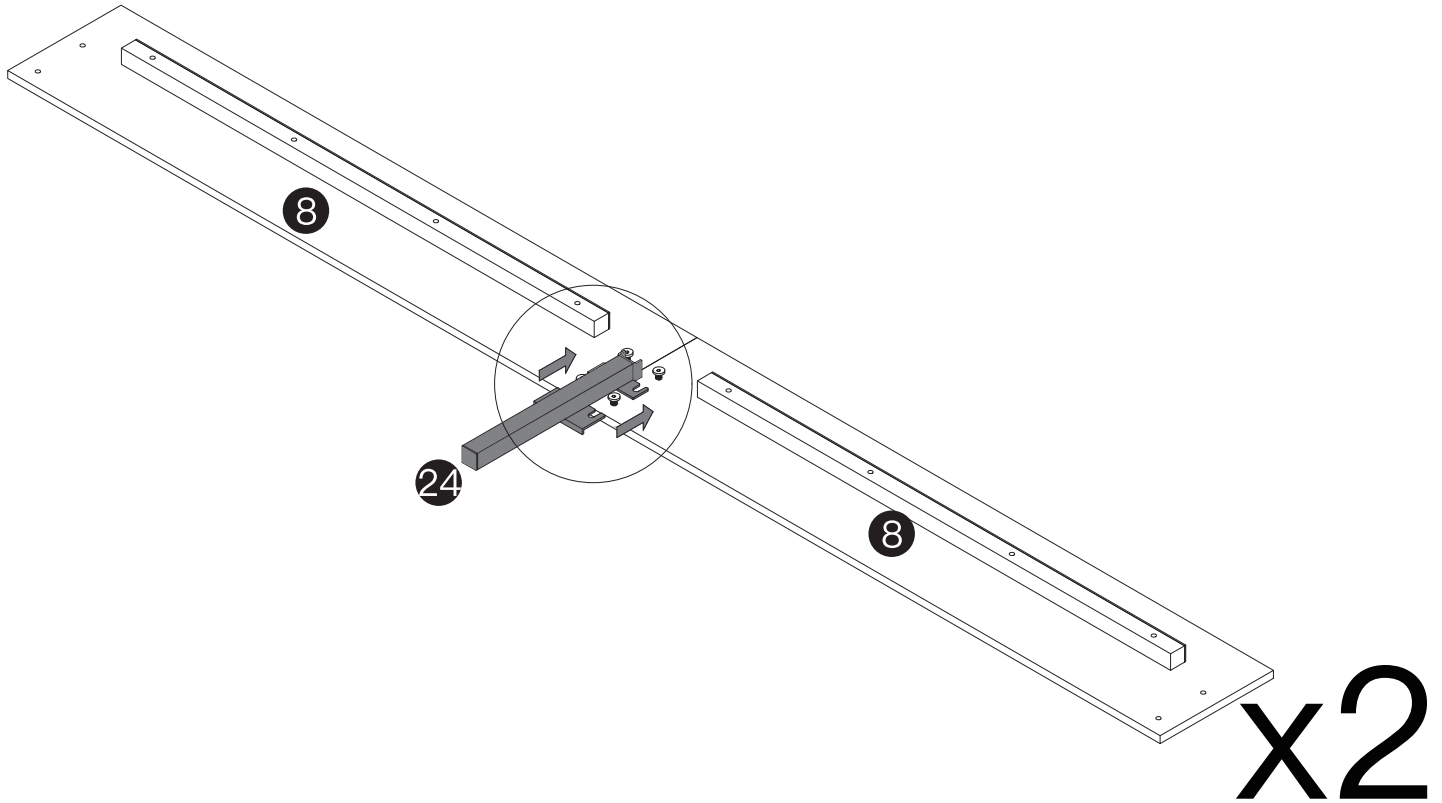
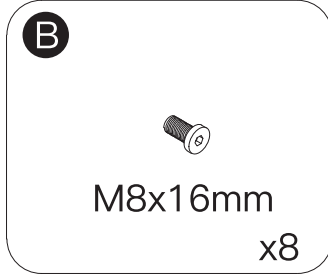
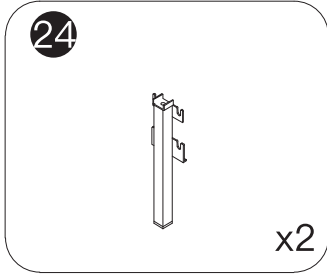


NOTICE:

Please ensure that the side of part 12 with the magic buckle is facing outwards.

x4

STEP 13

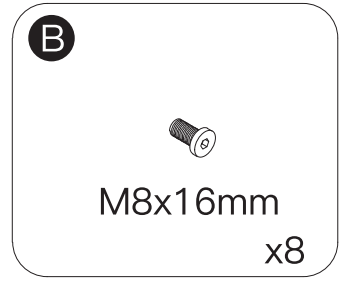
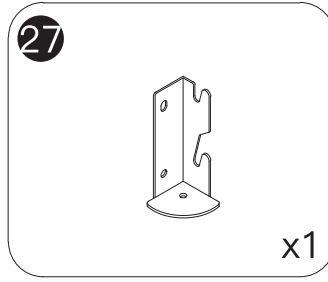
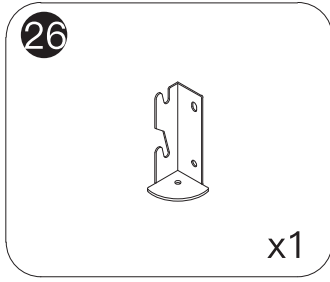
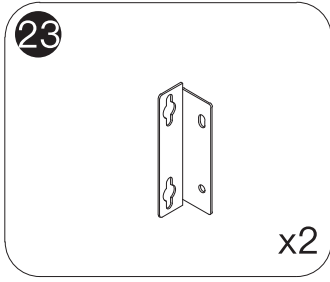


Please screw part **B** in 1/2 at the marked position to make assembly easier.

Hang part **B** onto part **24**.

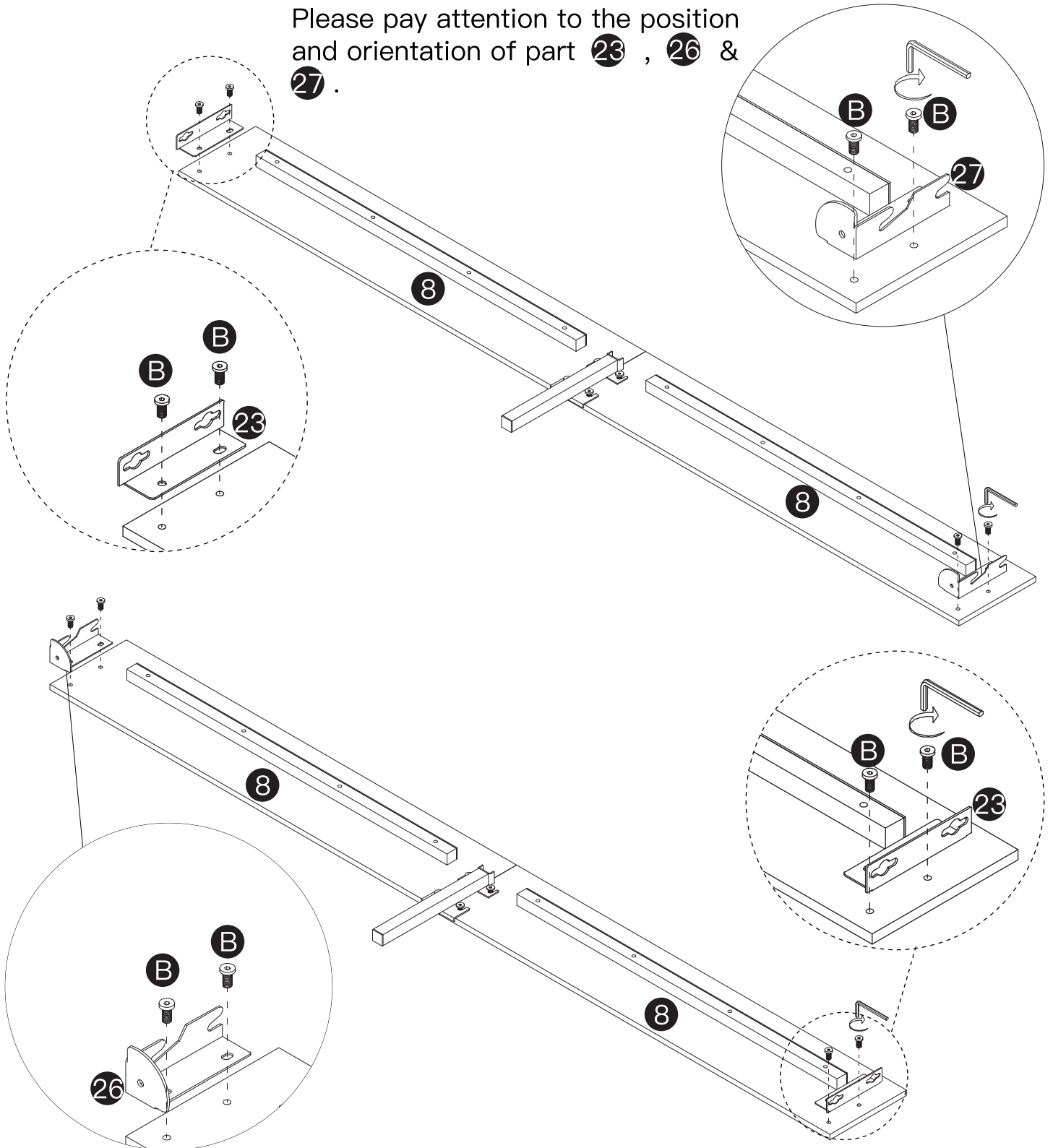
Tighten part **B** on part **24** after hooking up.

STEP 14

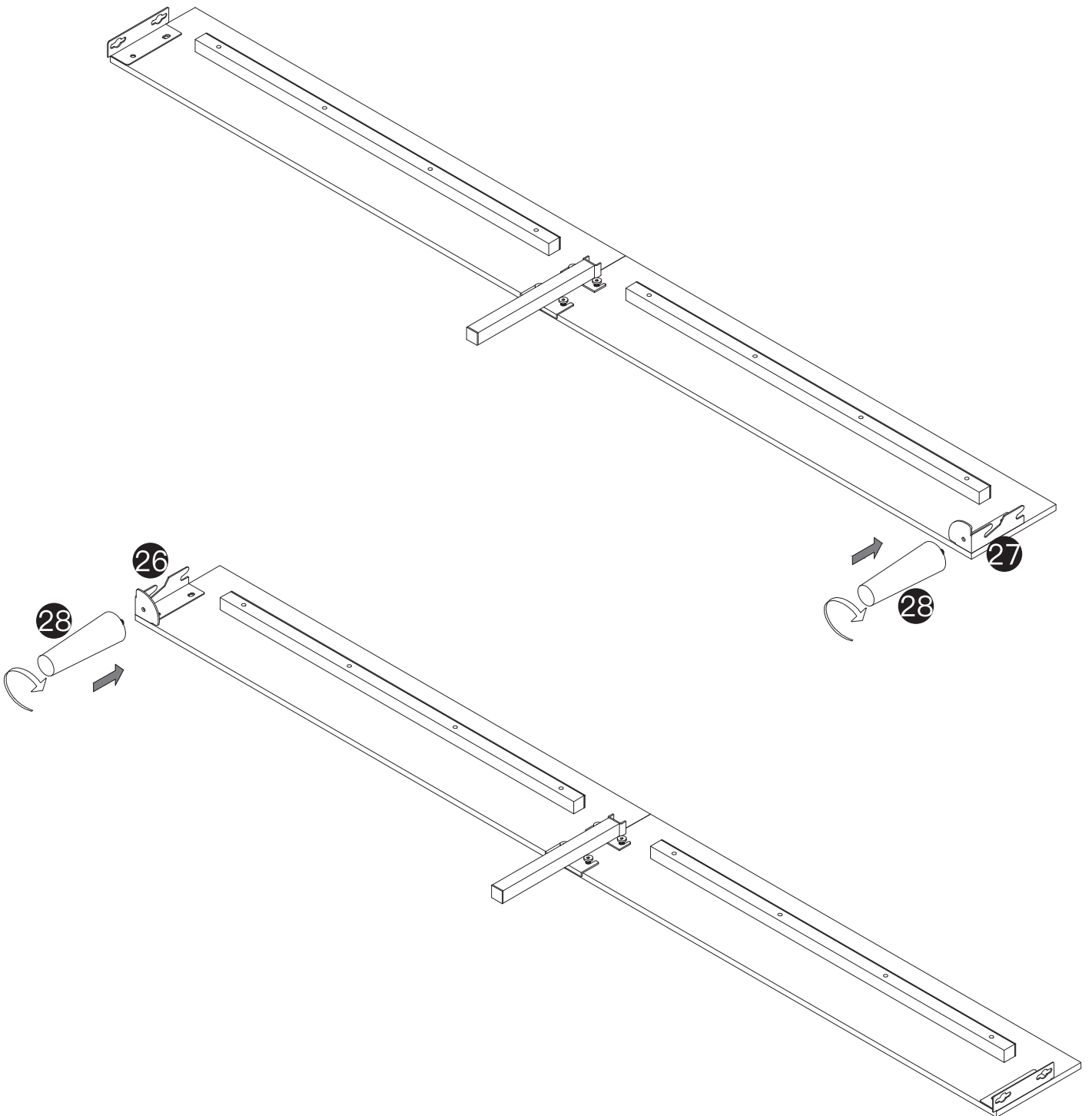
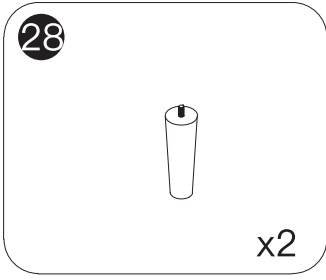


NOTICE:

Please pay attention to the position and orientation of part 23, 26 & 27.



STEP 15



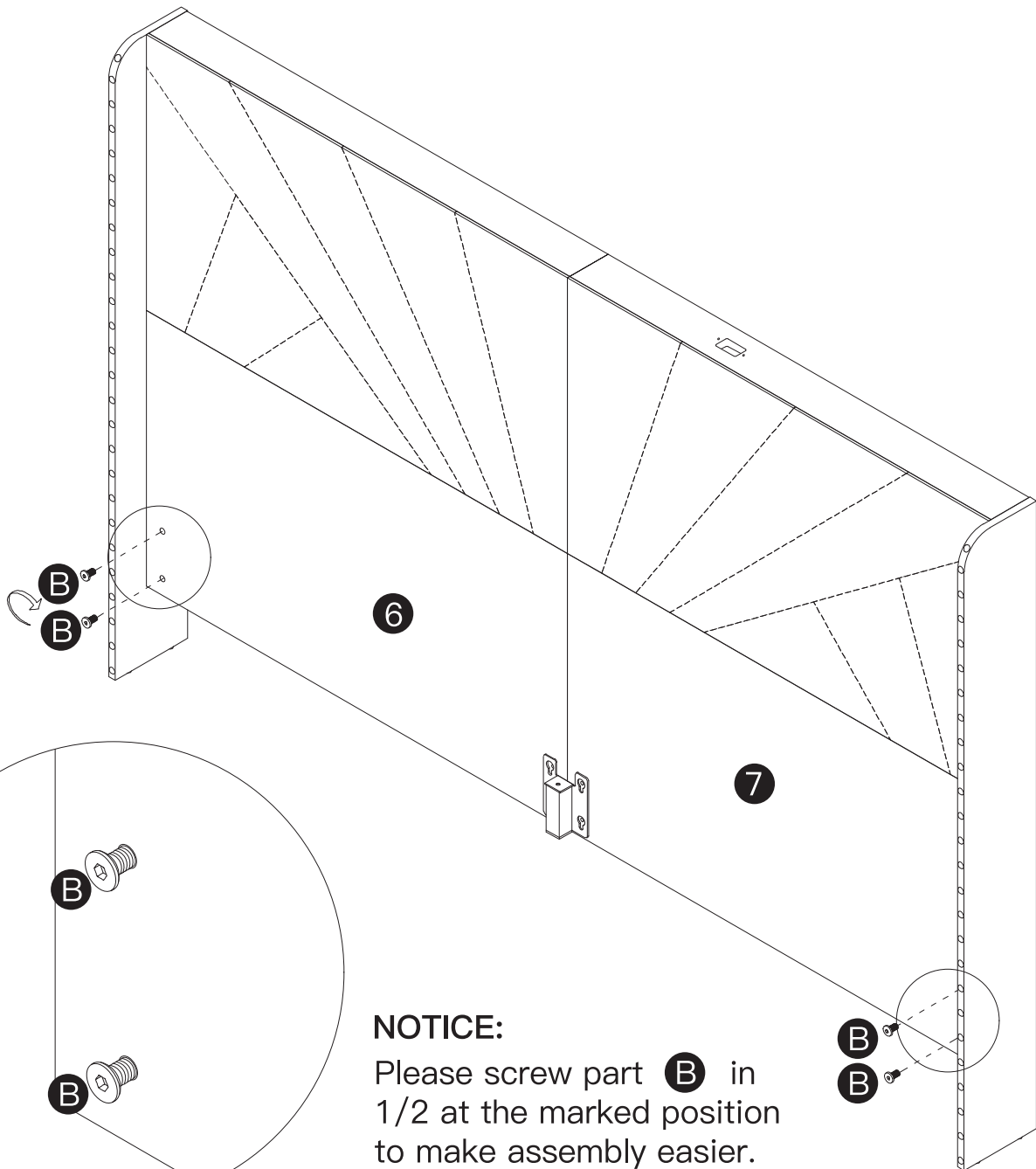
STEP 16

B



M8x16mm

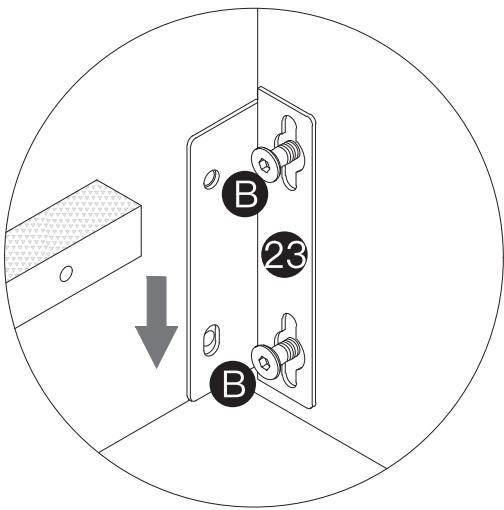
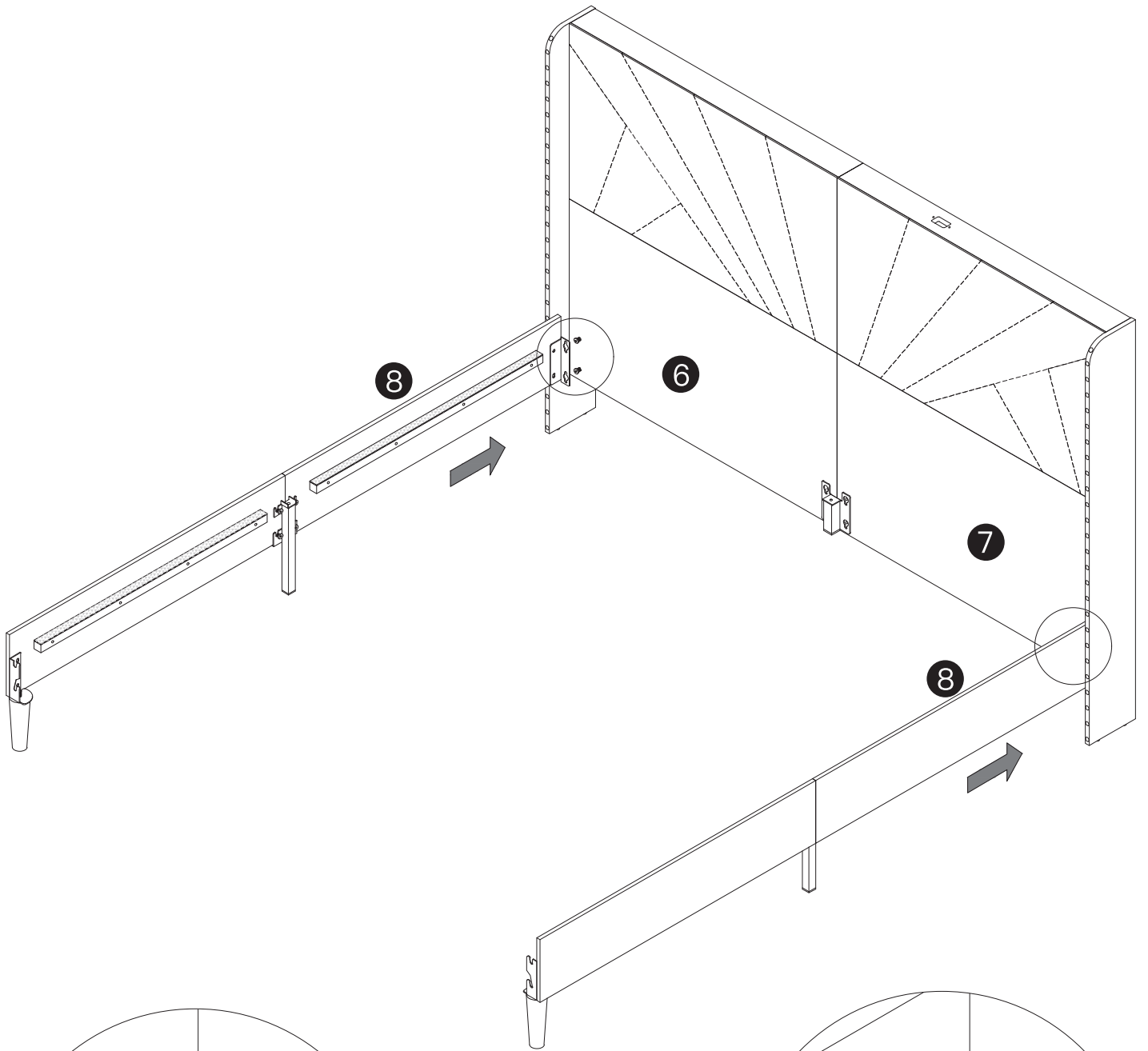
x4



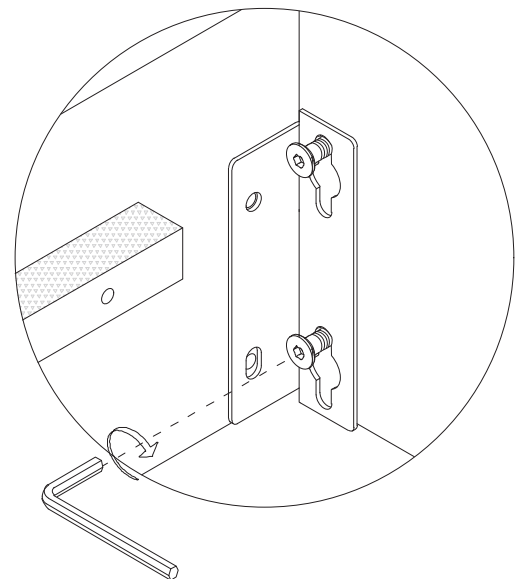
NOTICE:

Please screw part **B** in 1/2 at the marked position to make assembly easier.

STEP 17

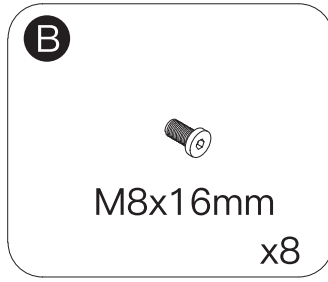
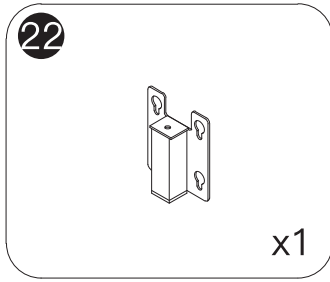
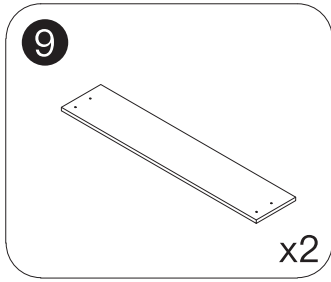


Hang part **B** onto part **23**.



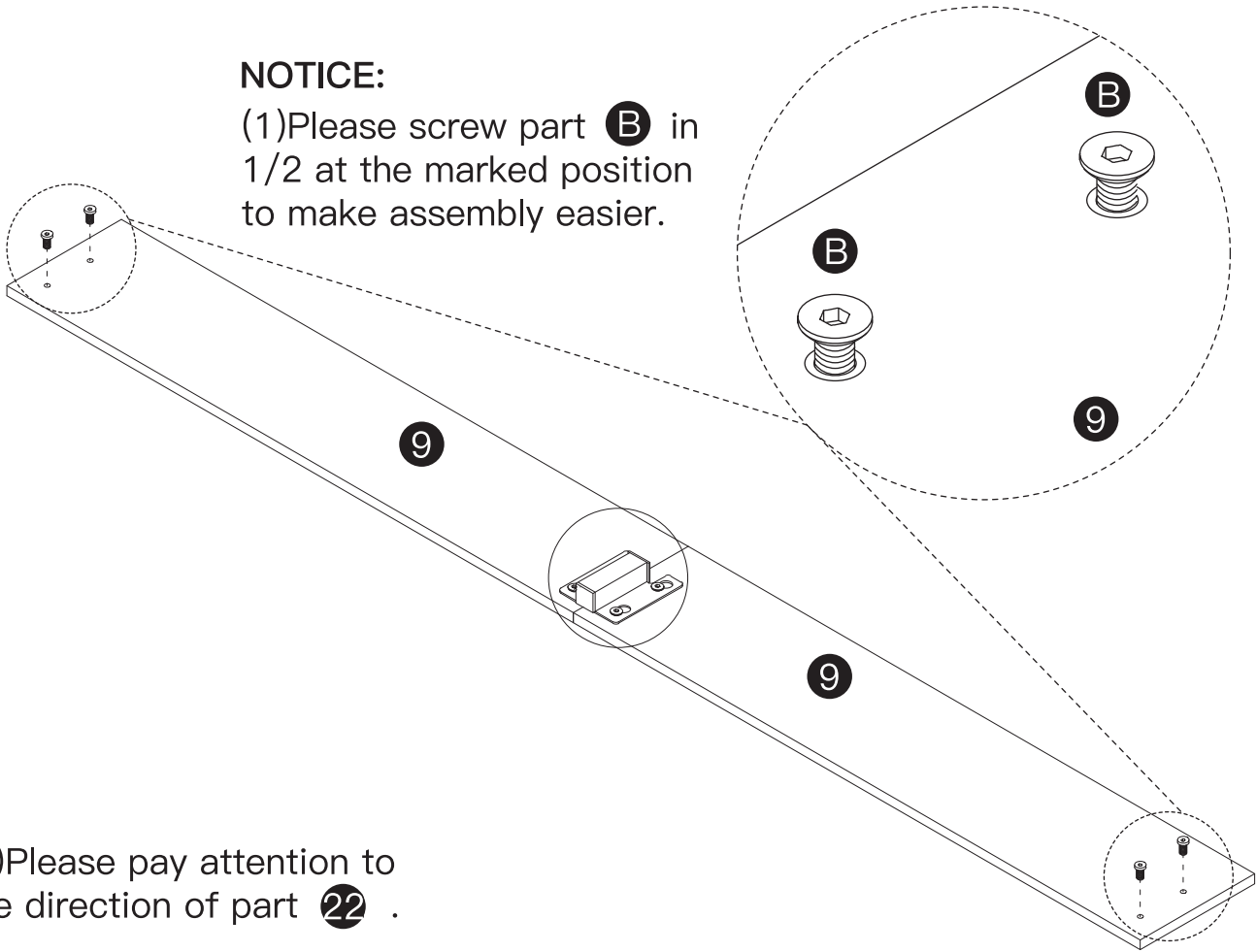
Tighten part **B** on part **23** after hooking up.

STEP 18

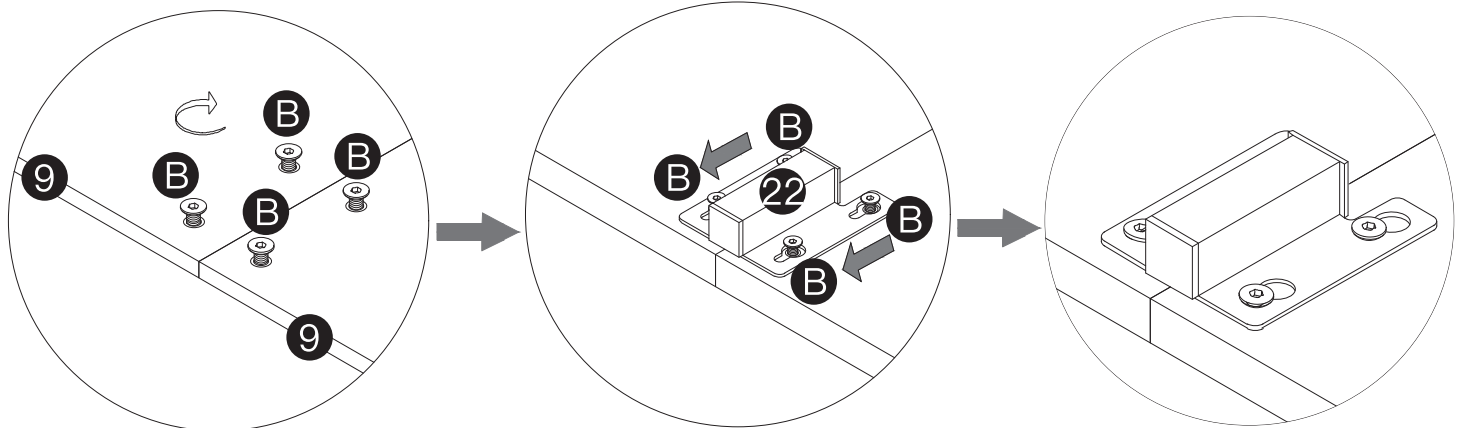


NOTICE:

(1) Please screw part **B** in 1/2 at the marked position to make assembly easier.



(2) Please pay attention to the direction of part **22**.



Please screw part **B** in 1/2 at the marked position to make assembly easier.

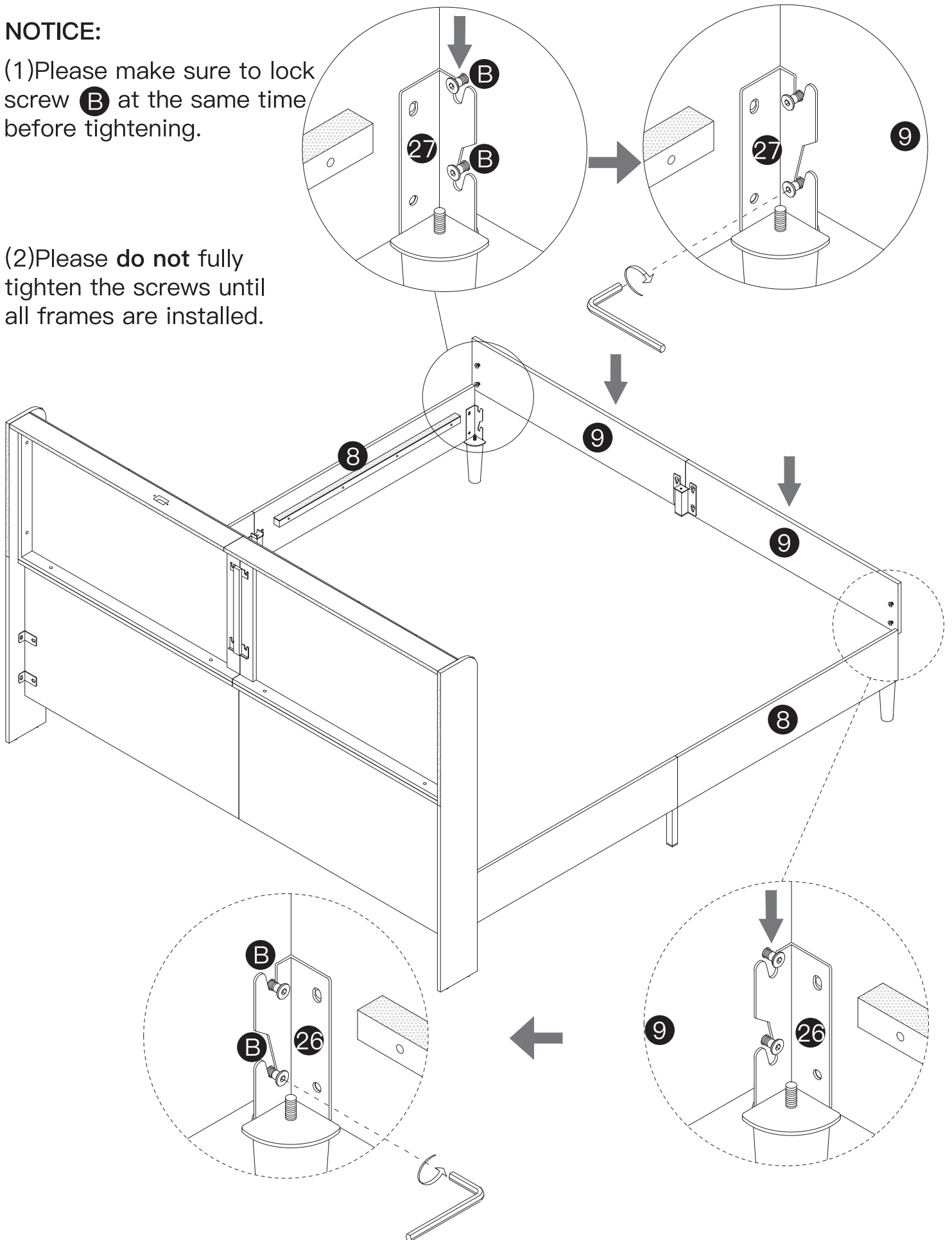
Hang part **B** onto part **22**, then tighten part **B**.

STEP 19

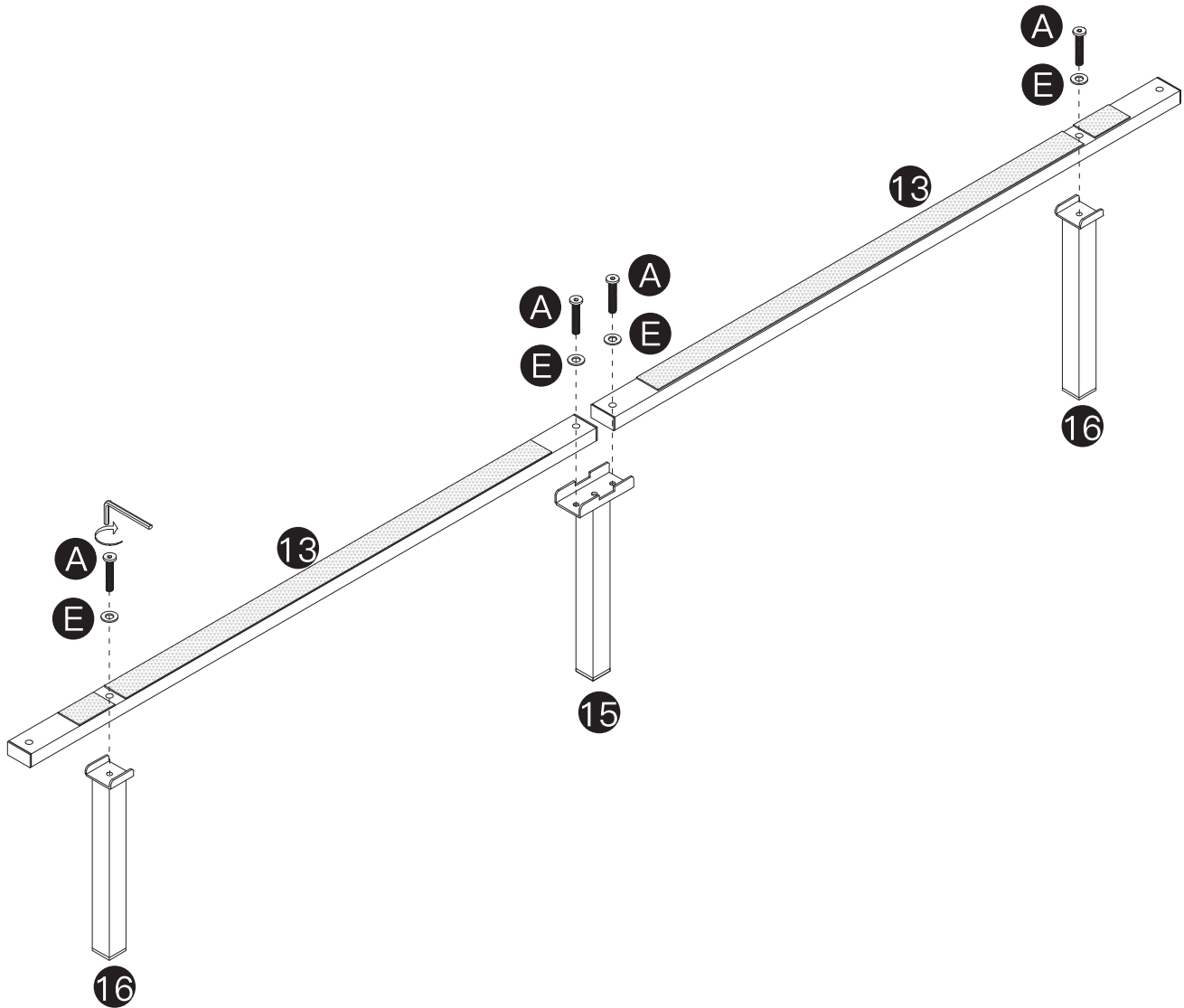
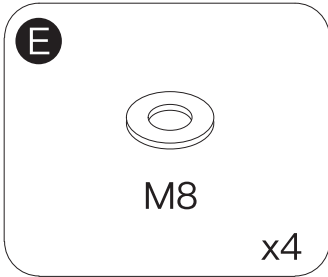
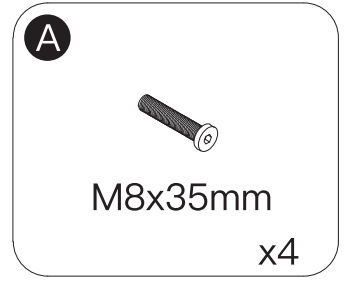
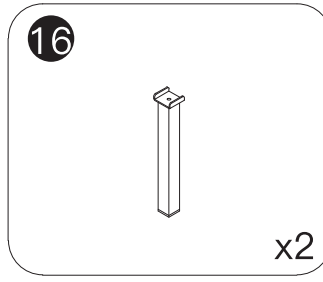
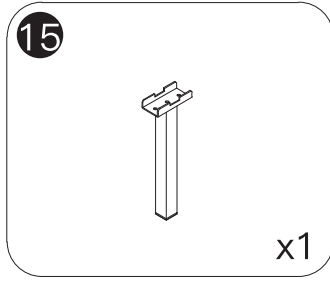
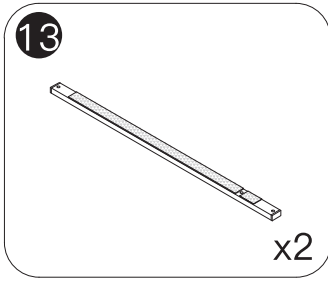
NOTICE:

(1) Please make sure to lock screw **B** at the same time before tightening.

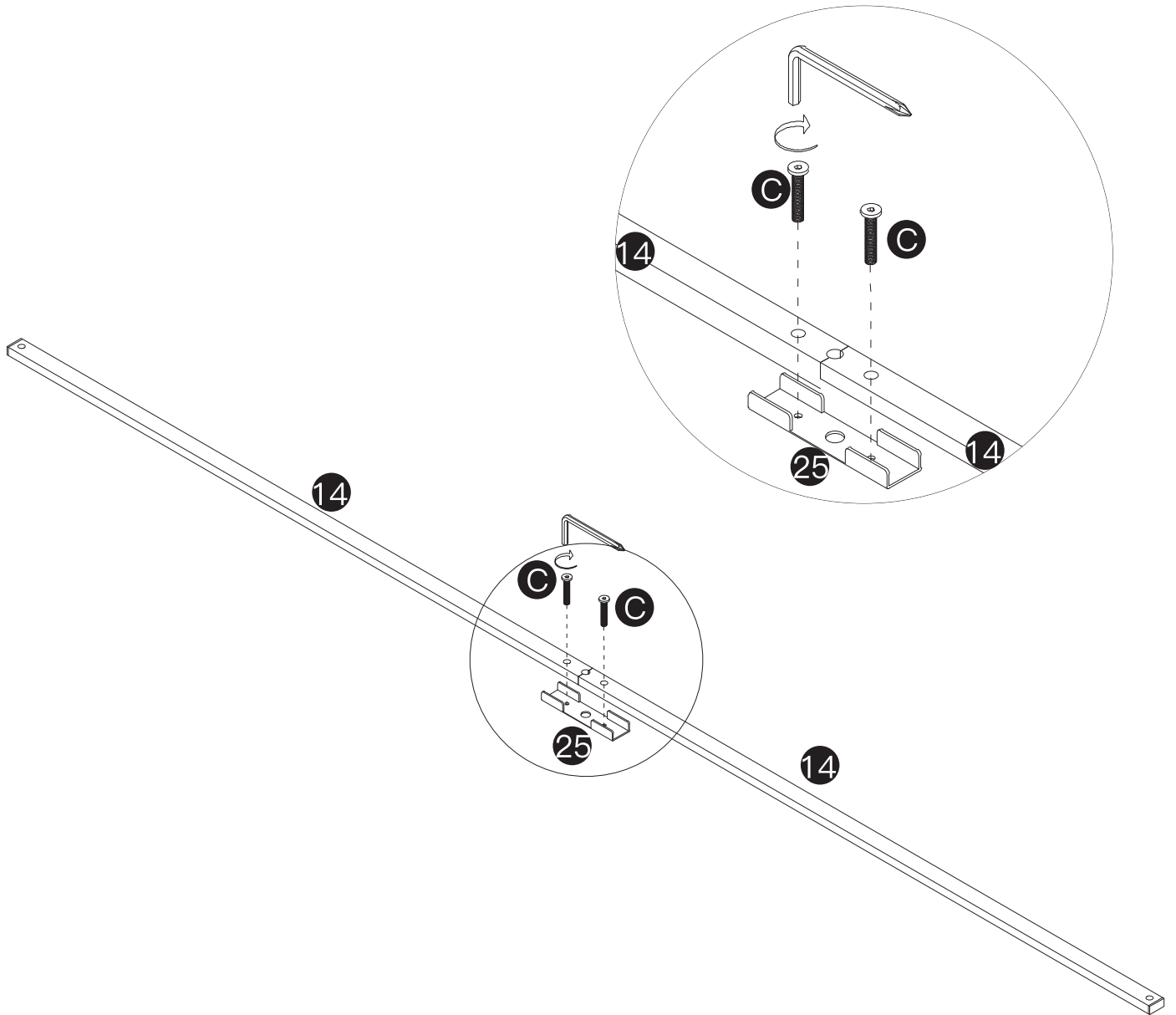
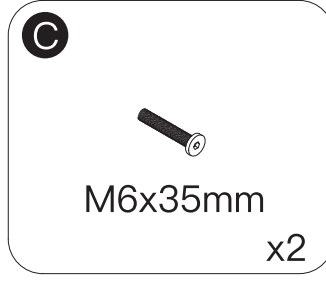
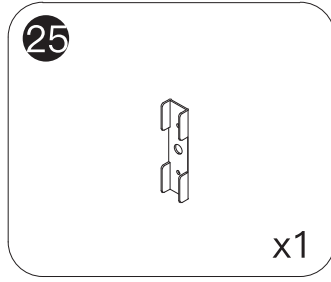
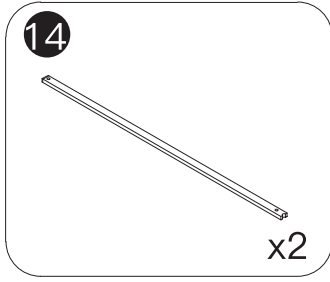
(2) Please **do not** fully tighten the screws until all frames are installed.



STEP 20



STEP 21



STEP 22

A



M8x35mm

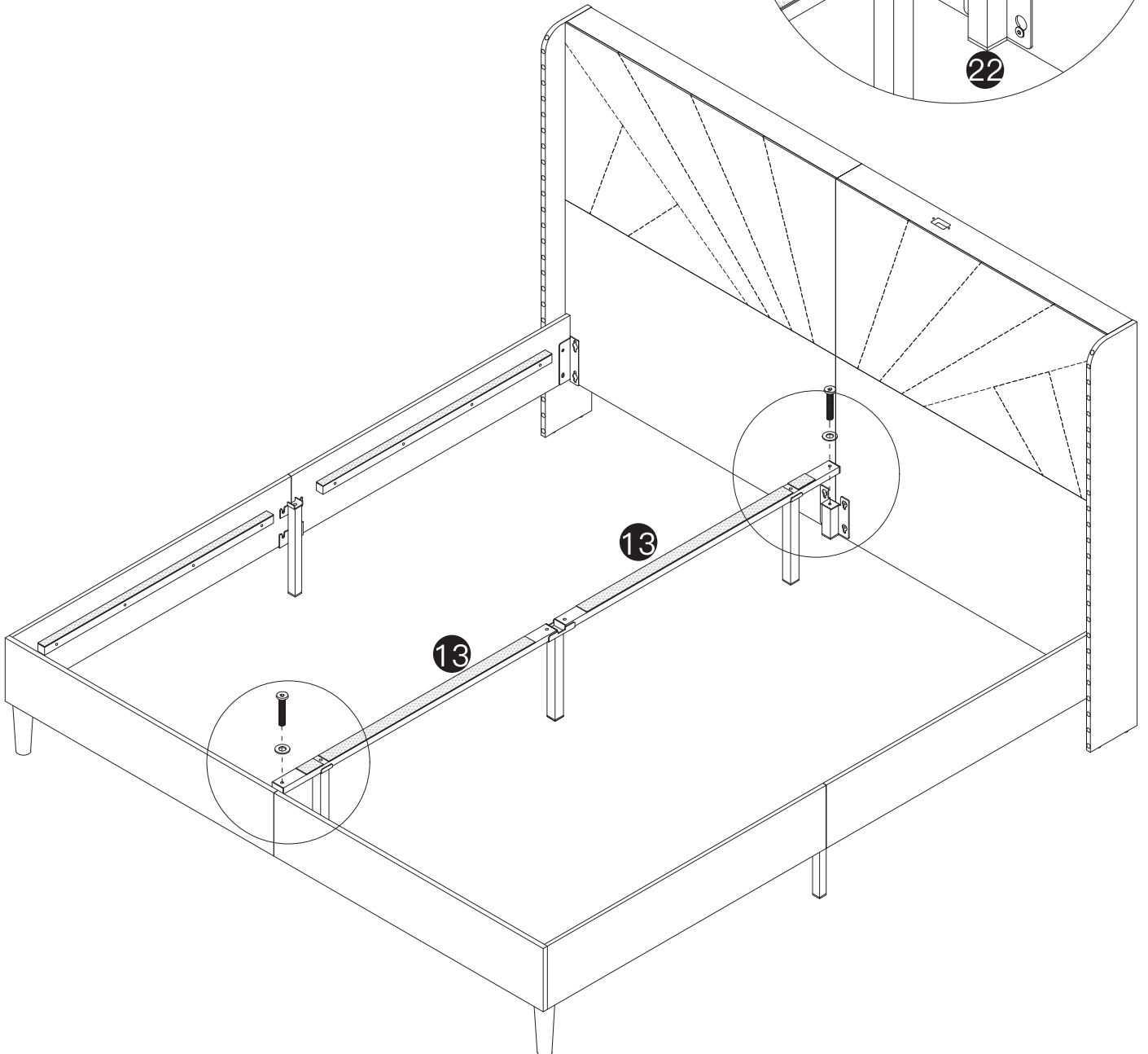
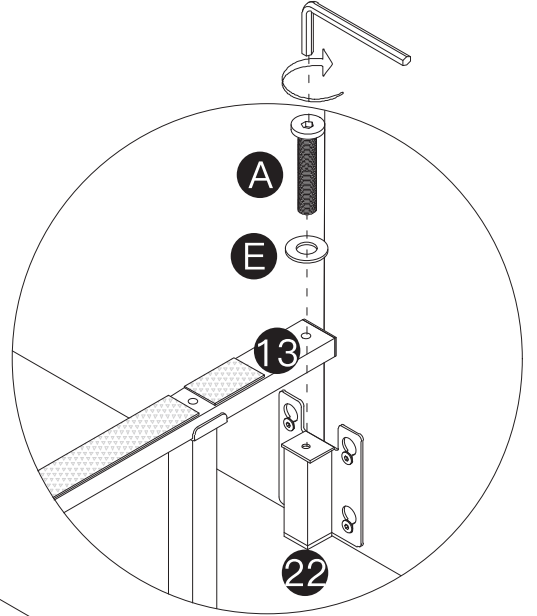
x2

E



M8

x2



STEP 23

A



M8x35mm

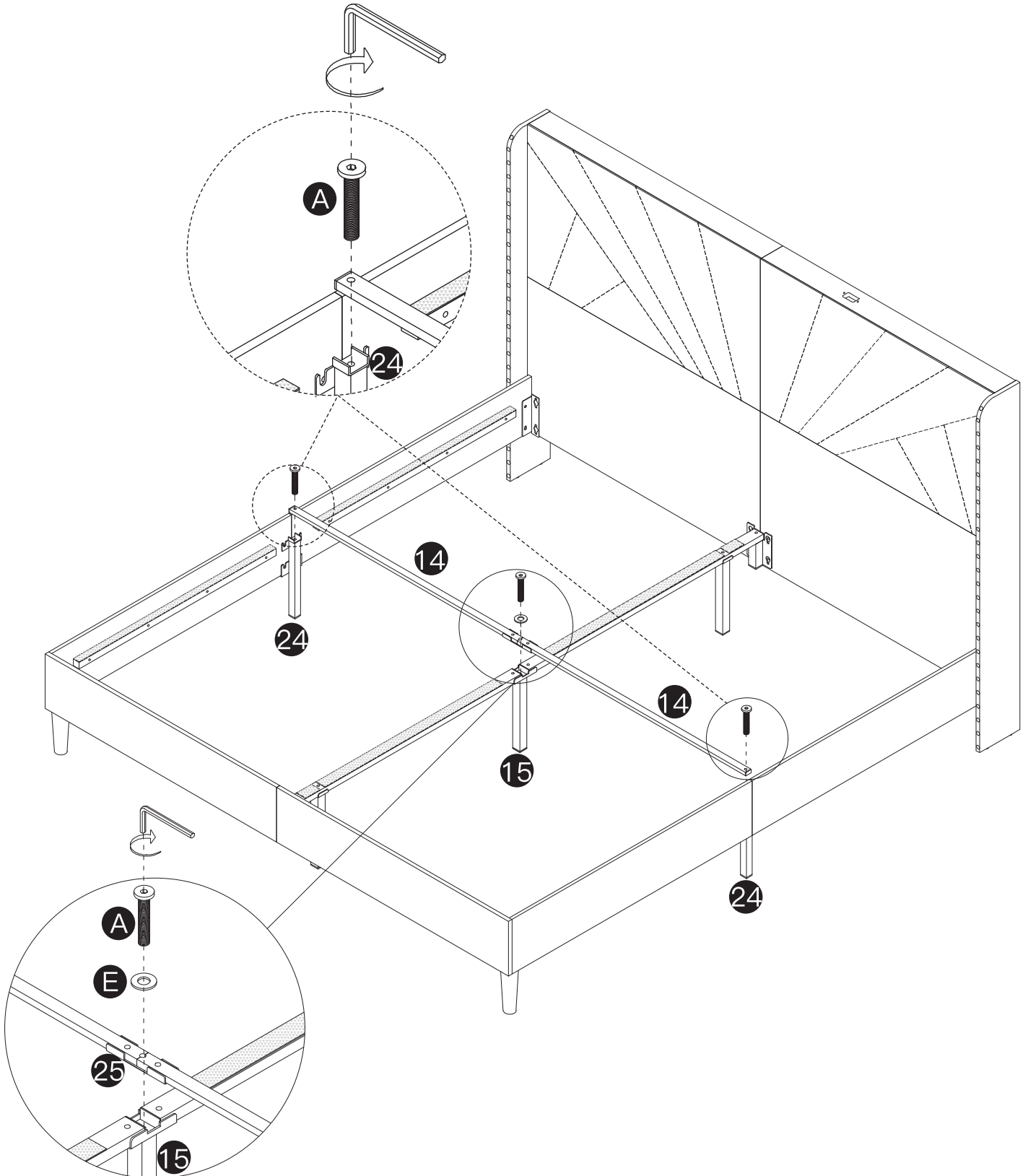
x3

E

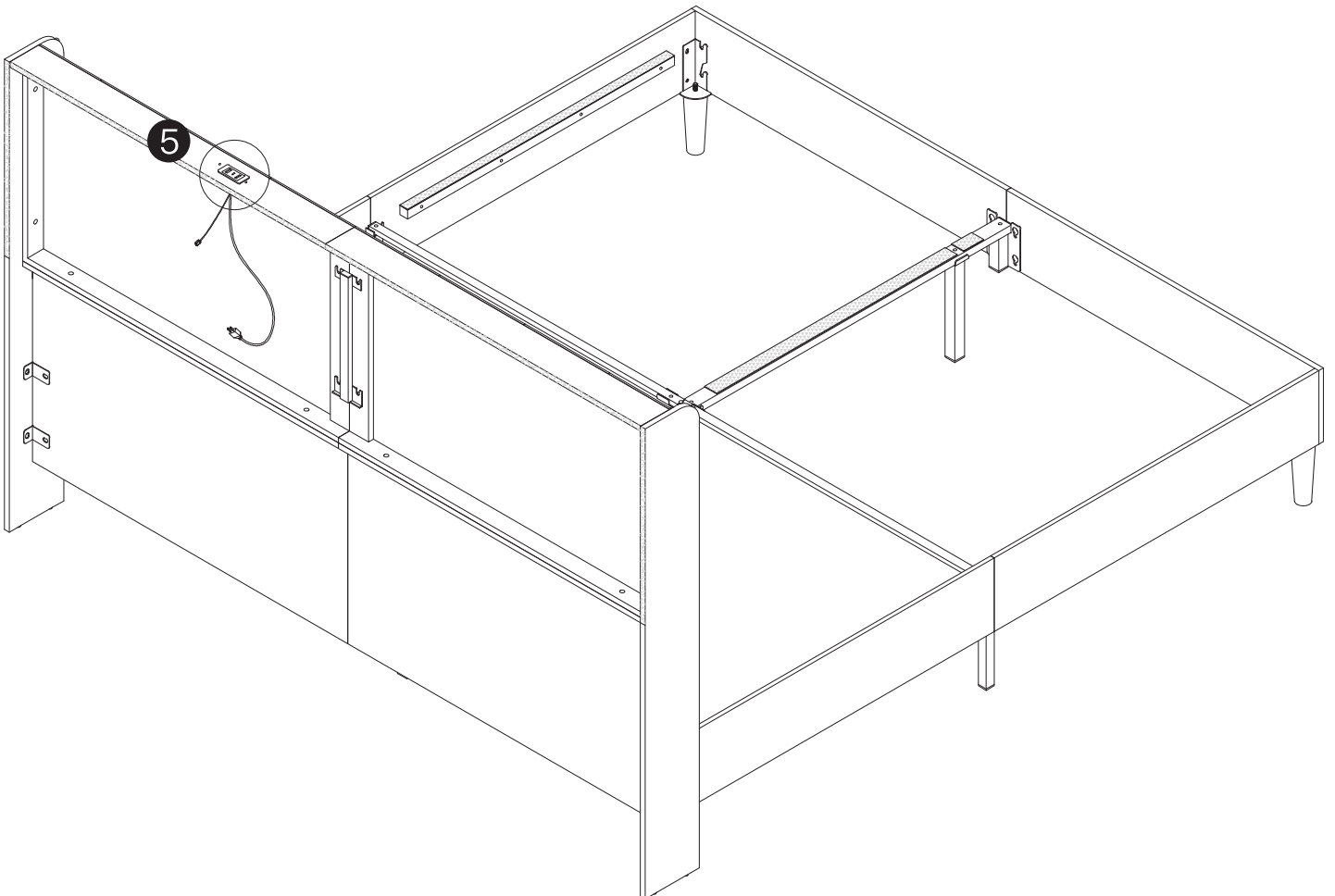
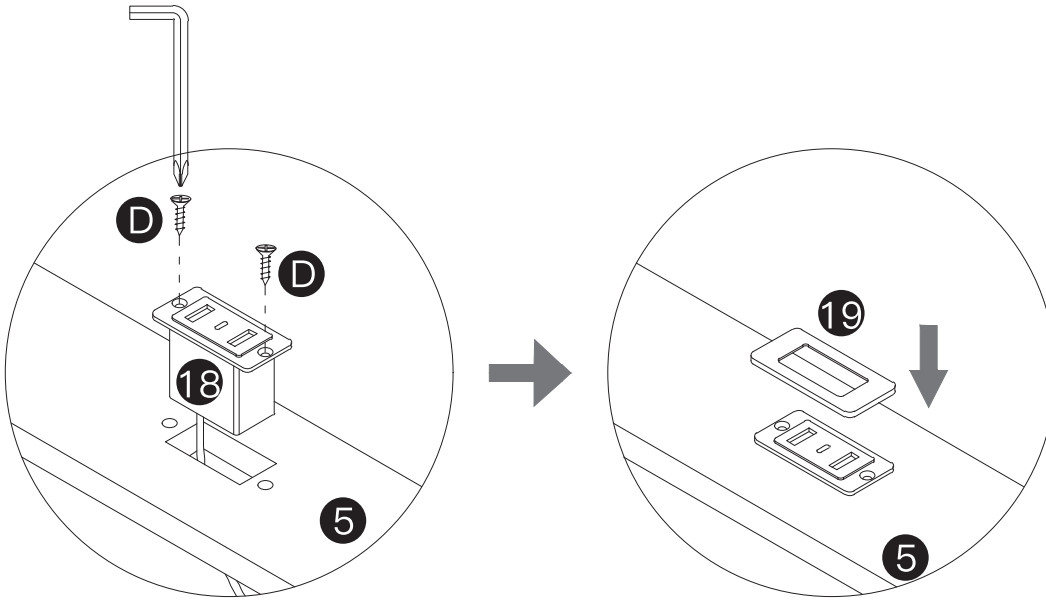
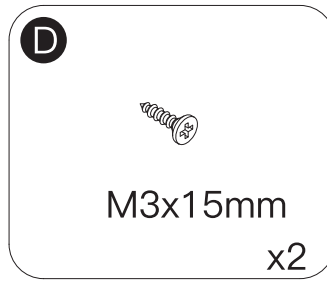
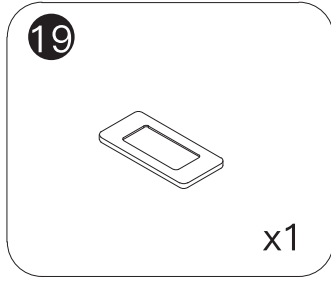
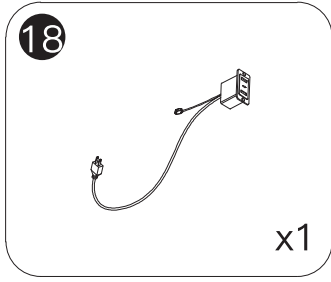


M8

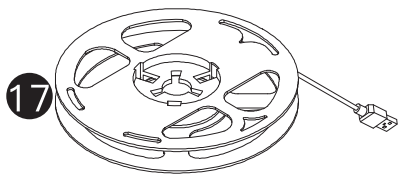
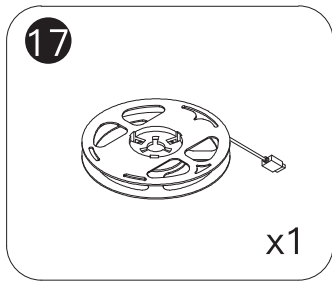
x1



STEP 24



STEP 25



Unfold the light strip and secure it.

