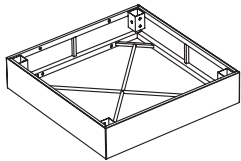


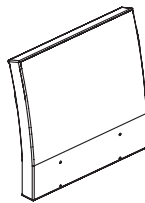
A1x1x3



B1x4x3



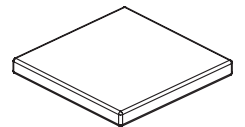
C1x1x3



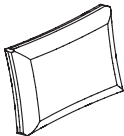
E1x1x3



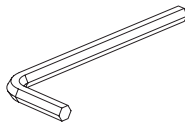
F1x1x3



G1x1x3

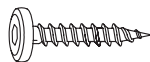


① x1x3



M4

② x12x3



M6x  $\frac{20}{0.8}$

③ x4x3

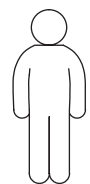
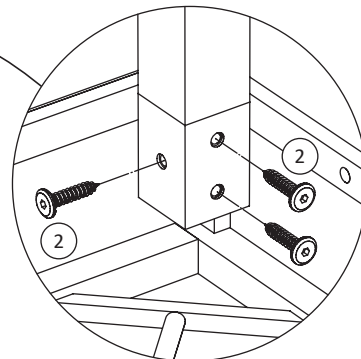
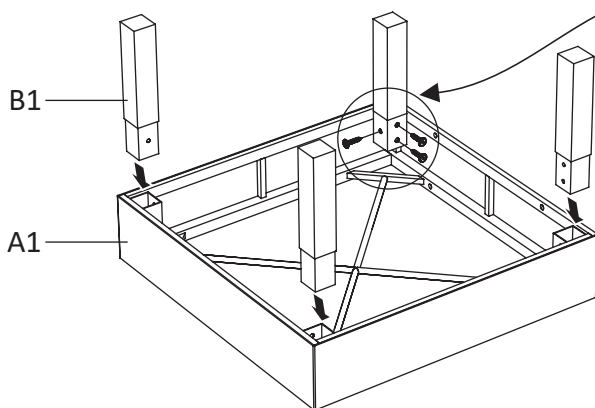


M6x  $\frac{35}{1.4}$

④ x4x3



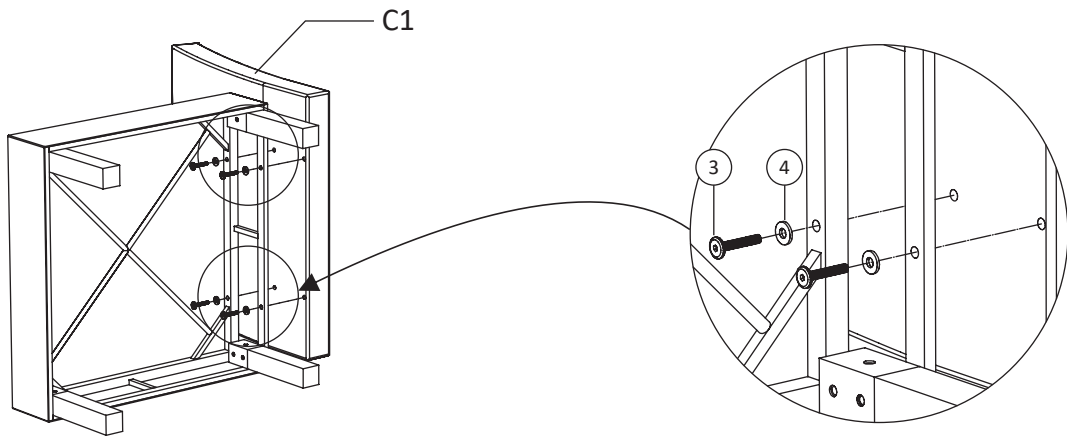
1



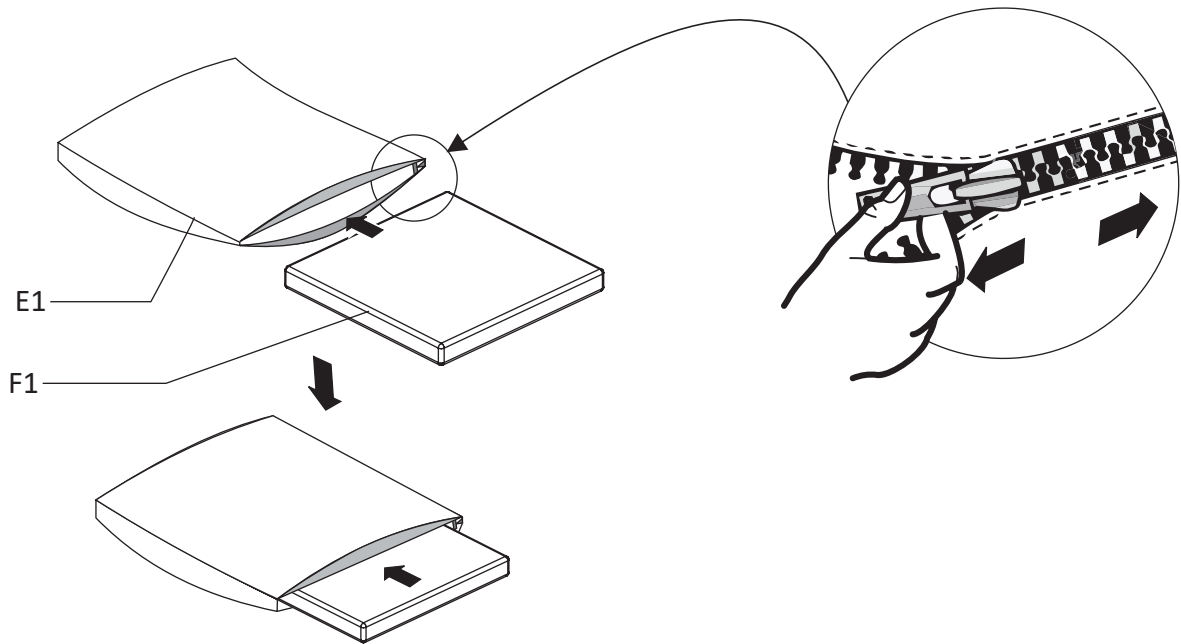
mm  
inch

x1

2



3



4

