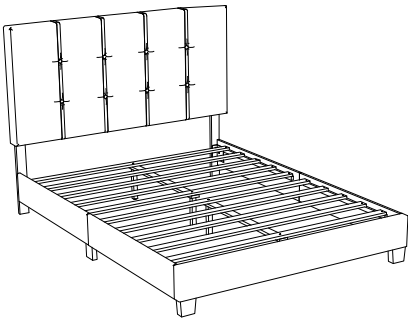


ASSEMBLY INSTRUCTION

QUEEN BED - ALL IN ONE PACK



Thank you for purchasing this product. Please take time to read and follow the instructions below. Check that you have all parts and hardware before assembly. Parts apparently missing are often found in the packing materials. If you do not have all the parts listed, have your dealer contact us and they will be sent to you immediately.



It is recommended to install protective pads under all legs and supports to avoid damage or scratches when placing furniture on a wood floor or other hard surface, and to limit indentation and prevent discoloration if placing on carpet.

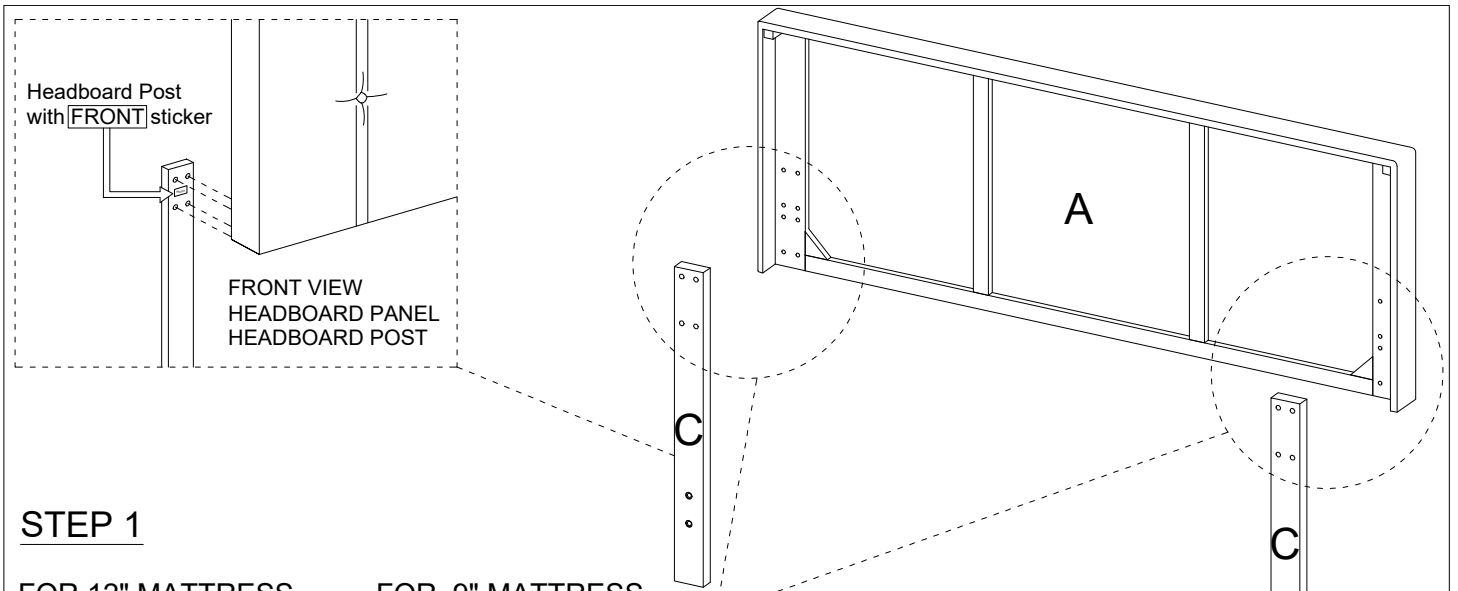


Hardware may loosen over time. Periodically check to make sure all connections are tight. Re-tighten if necessary.

PARTS LIST			
NO	DESCRIPTION	SKETCH	QTY
A	HEADBOARD		1 PC
B	FOOTBOARD		1 PC
C	HEADBOARD POST		2 PCS
D	SIDE RAIL (L)		2 PCS
E	SIDE RAIL (R)		2 PCS
F	SIDE RAIL SUPPORT		2 PCS
G	BUNFOOT		2 PCS
H	CENTER RAIL		2 PCS
I	SLATS (5PCS/ROLL)		2 ROLLS
J	SLAT SUPPORT LEGS		4 PCS

HARDWARE LIST			
NO	DESCRIPTION	SKETCH	QTY
1	JCBC M6 x 40mm		8 pcs
2	JCBC M6 x 30mm		16 pcs
3	JCBC M6 x 60mm		4 pcs
4	Flat Washer M6		24 pcs
5	CSK M4 x 45mm		4 pcs
6	CSK M4 x 32mm		20 pcs
7	Leveler		4 pcs
8	Long Allen Key M4 with Bolt		1 pc

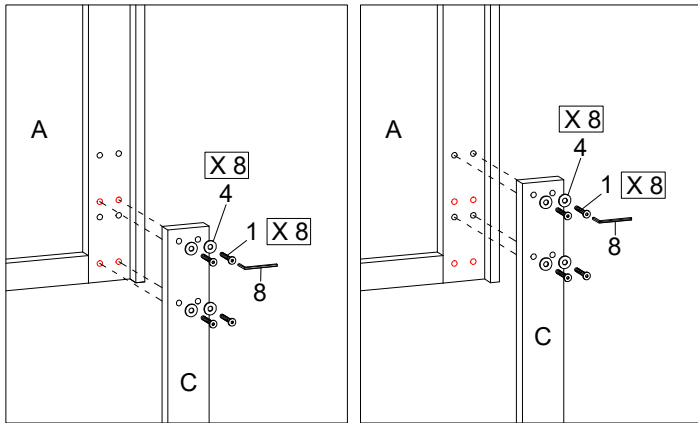
***Please assembly on smooth surface.**



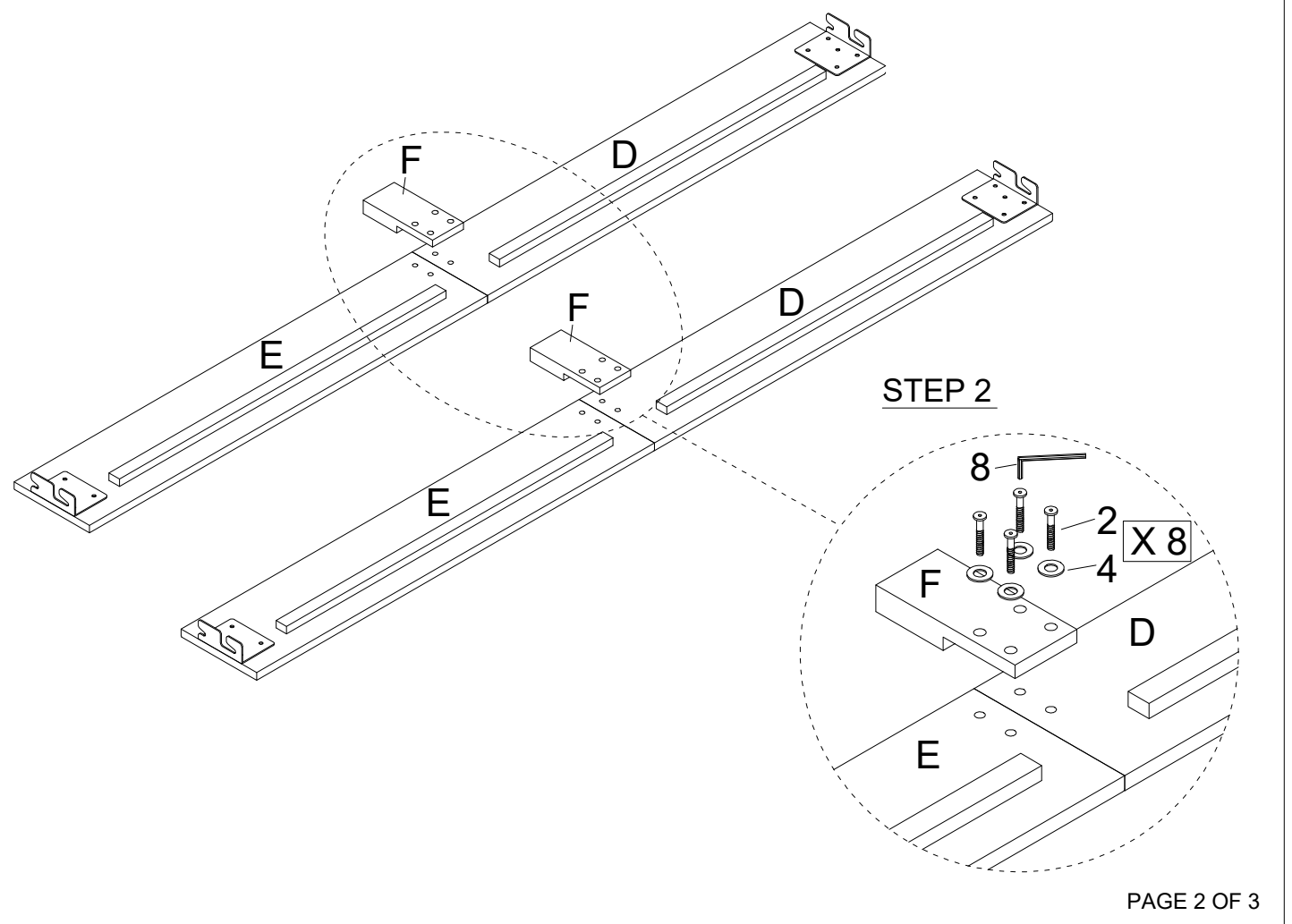
STEP 1

FOR 12" MATTRESS

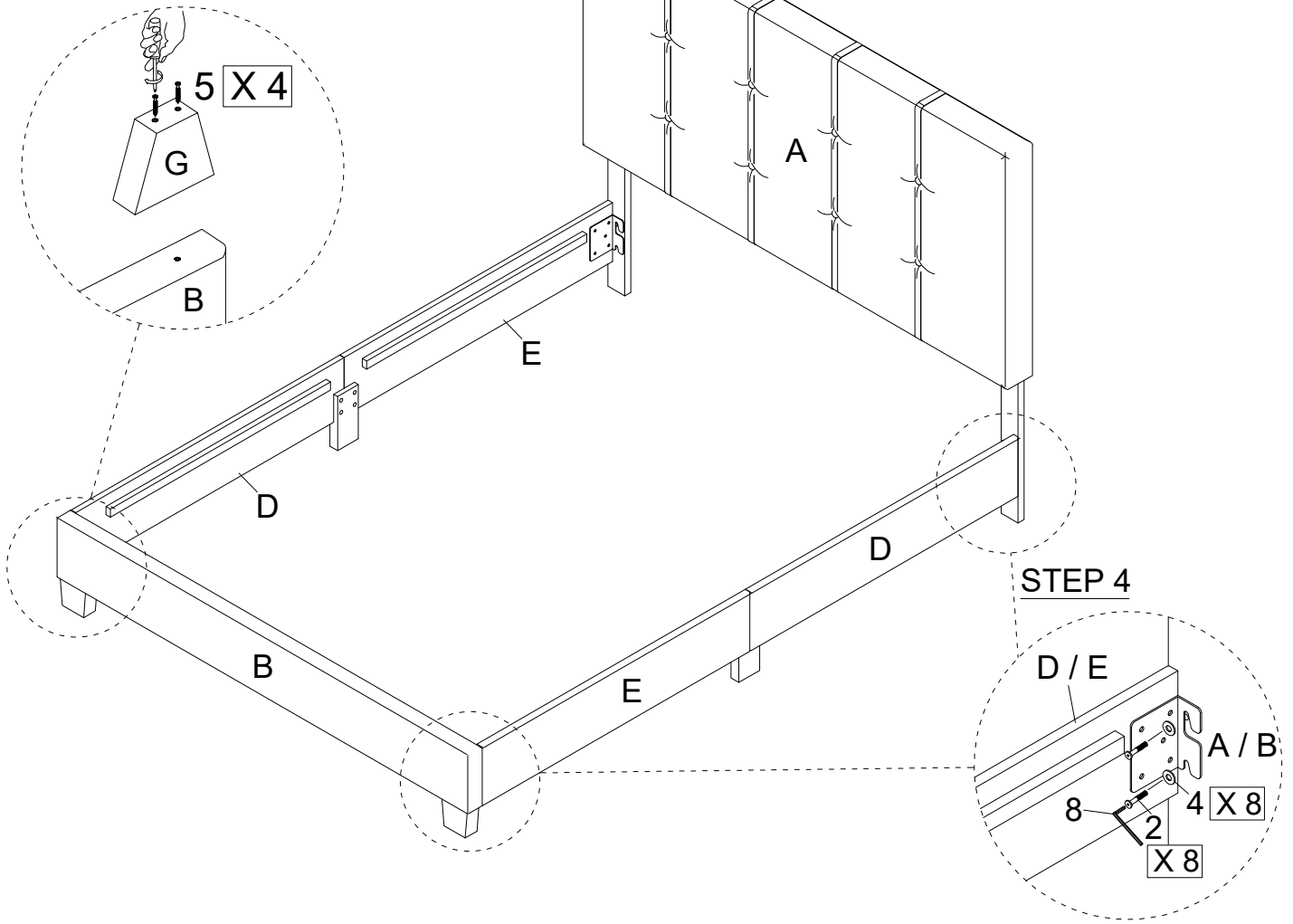
FOR 9" MATTRESS



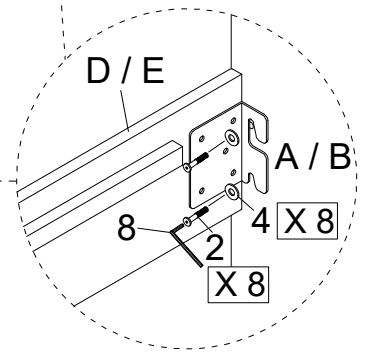
NOTE : Headboard panel with extra hole provided for adjustable purposed to accommodate a 9" or 12" mattress.



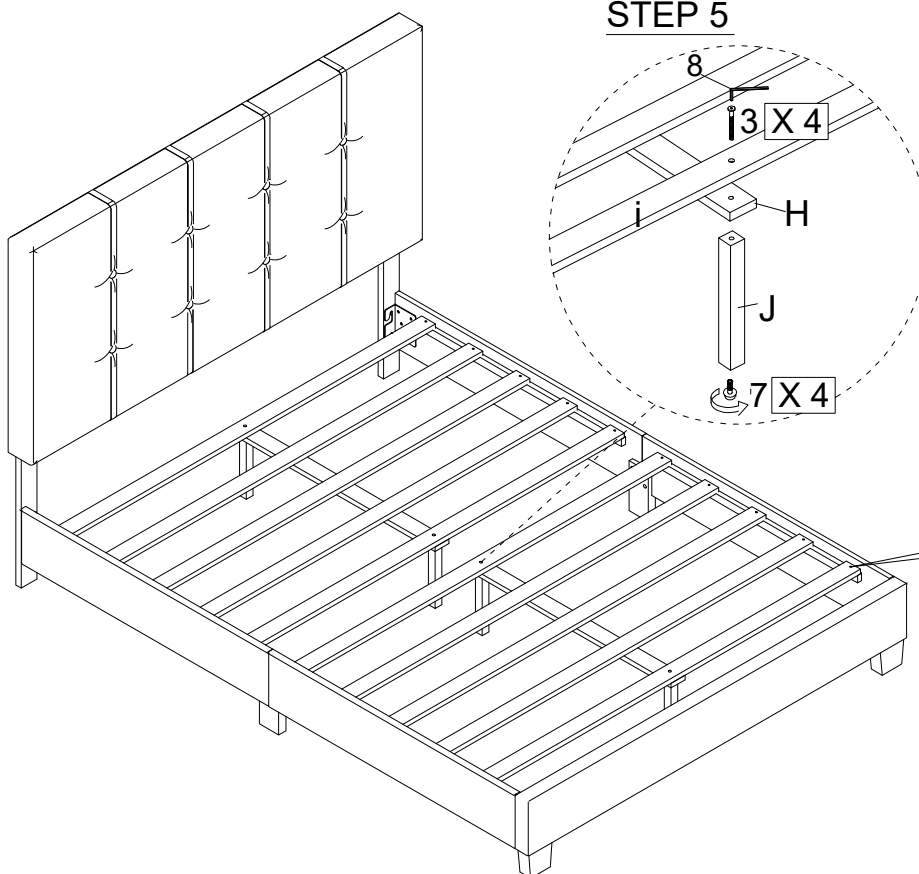
STEP 3



STEP 4



STEP 5



STEP 6

