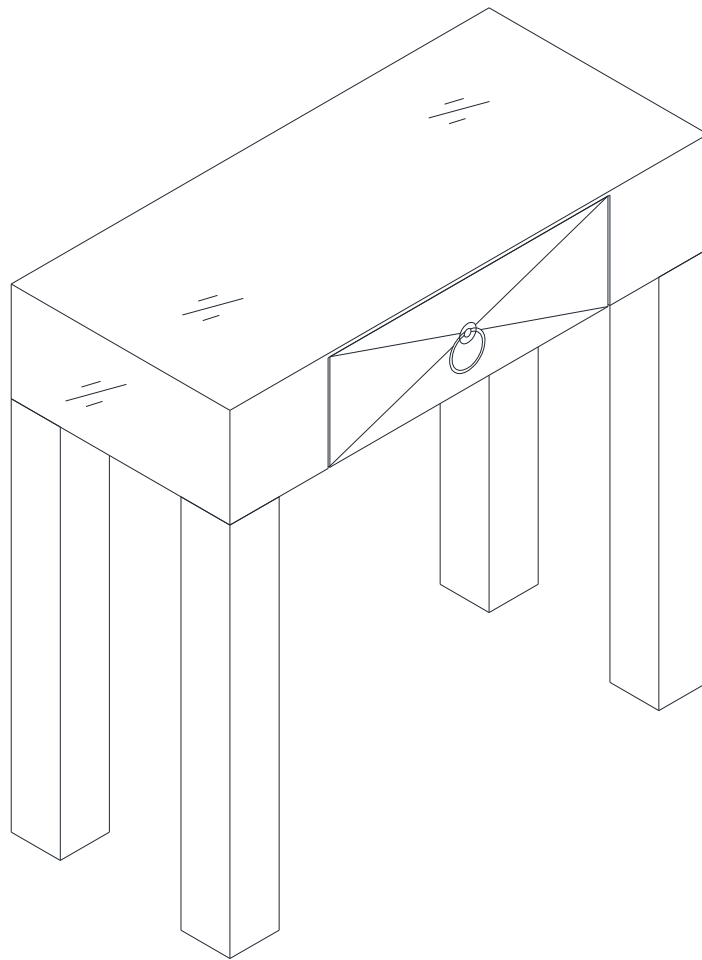


Product Instructions for:

Mirrored 1 Drawer Side Table



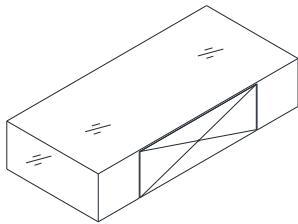
For assistance with assembly or questions contact:  
Wayfair Customer Service, 877-WAYFAIR (877-929-3247) | [www.wayfair.com](http://www.wayfair.com)

# Mirrored 1 Drawer Side Table

Before beginning assembly, separate all parts and carefully study the parts diagrams below. Review all parts and hardware before disposing of any packaging. You may receive extra hardware with your unit. Call Customer Service for missing hardware.

## Parts List

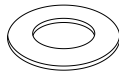
A: Body Frame (1)



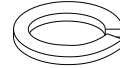
B: Leg (4)



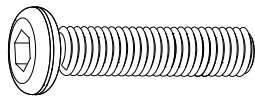
C: Flat Washer (8)



D: Spring Washer (8)



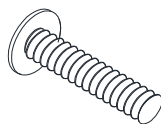
E: Bolt: 5/16" \* 1"L (8)



F: Allen Wrench (1)



G: Bolt (1)



H: Handle (1)



I: Rubber Gasket (1)



# Mirrored 1 Drawer Side Table

## Assembly Instructions

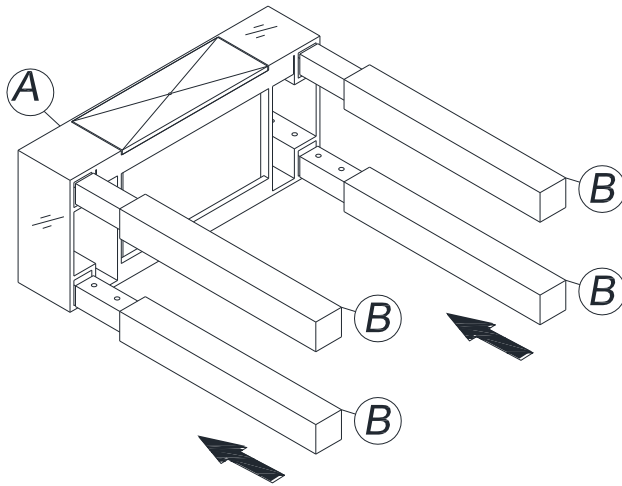


Figure 1

### Step 1

Unpack and lay parts on clean, padded surface like carpet or blanket. Check that you have all parts indicated on the front page.

Insert Leg (B) into Body Frame (A) as shown.

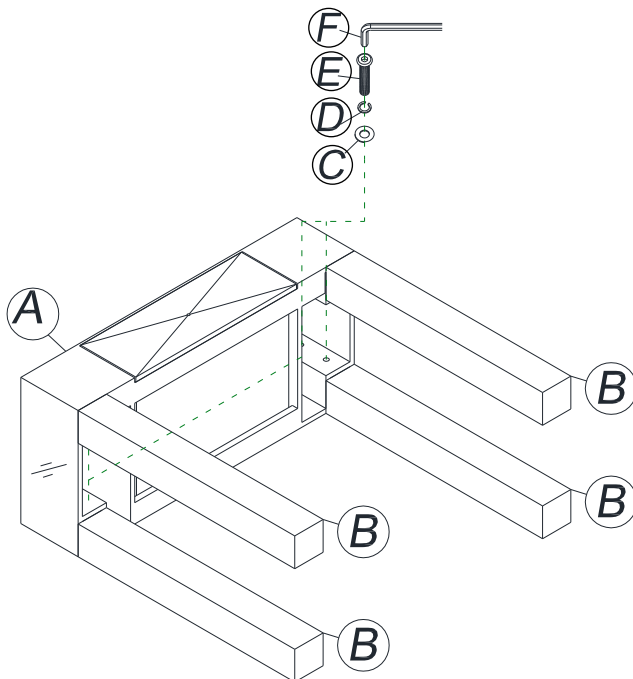


Figure 2

### Step 2

Connect Legs (B) to Body Frame (A) with Bolt (E), Spring Washer (D) and Flat Washer (C) using the pre-drilled holes.

Tighten Bolt (E) with Allen Wrench (F).

# Mirrored 1 Drawer Side Table

## Assembly Instructions

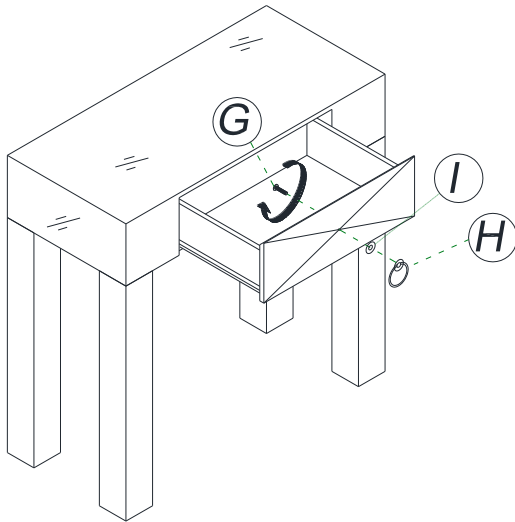


Figure 3

### Step 3

Connect Handle (H) to drawer front with Bolt (G) and Rubber Gasket (I). Tighten Bolt (G) with Phillips screwdriver (not included).

**Caution: Please do not over tighten knobs. Please stop when they begin to feel tight.**

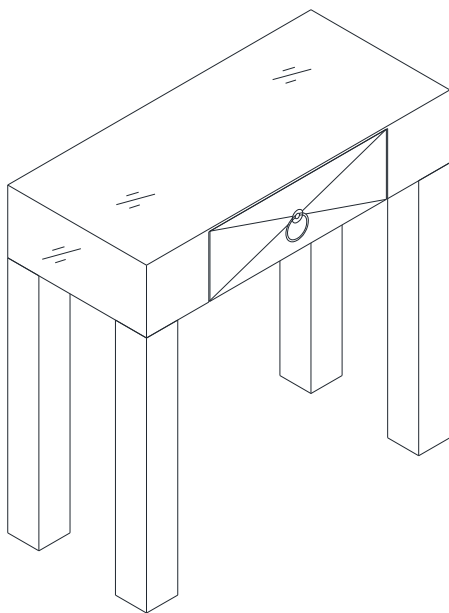


Figure 4

### Step 4

Now your Mirrored 1 Drawer Side Table is ready to use!