


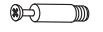
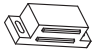





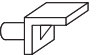



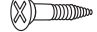





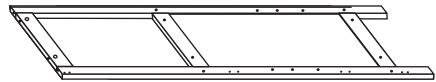
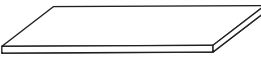
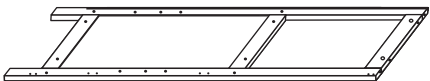
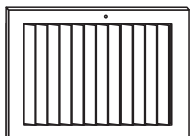

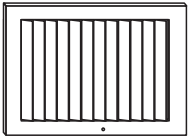

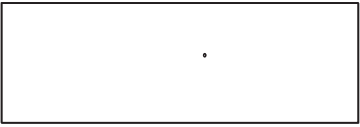
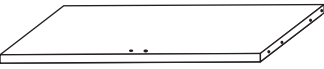


USER'S MANUAL
Bathroom Cabinet

PRODUCT ASSEMBLY

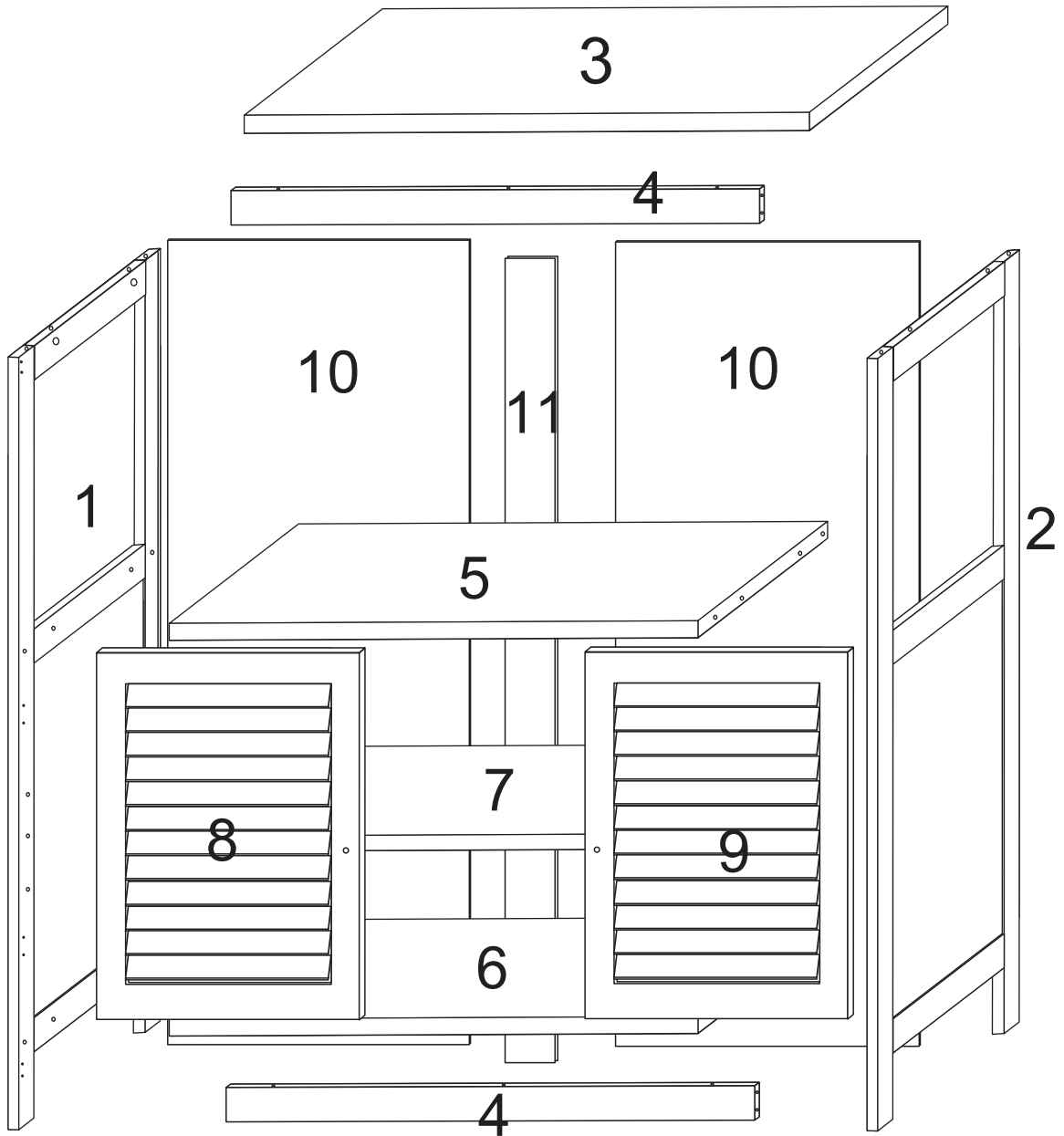
Hardware List

| | | | | | | | | |
|---|---|--------|---|---|-------|---|---|-------|
| A |  6*30mm | 16 pcs | H |  | 2 pcs | O |  | 1 pc |
| B |  6*35mm | 16 pcs | I |  | 1 pc | P |  | 8 pcs |
| C |  | 16 pcs | J |  3*14mm | 3 pcs | Q |  3*16mm | 8 pcs |
| D |  | 4 pcs | K |  | 4 pcs | R |  2.5*10mm | 2 pcs |
| E |  | 2 pcs | L |  | 1 pc | | | |
| F |  3*12mm | 18 pcs | M |  | 2 pcs | | | |
| G |  4*16mm | 2 pcs | N |  4*40mm | 7 pcs | | | |

Parts List

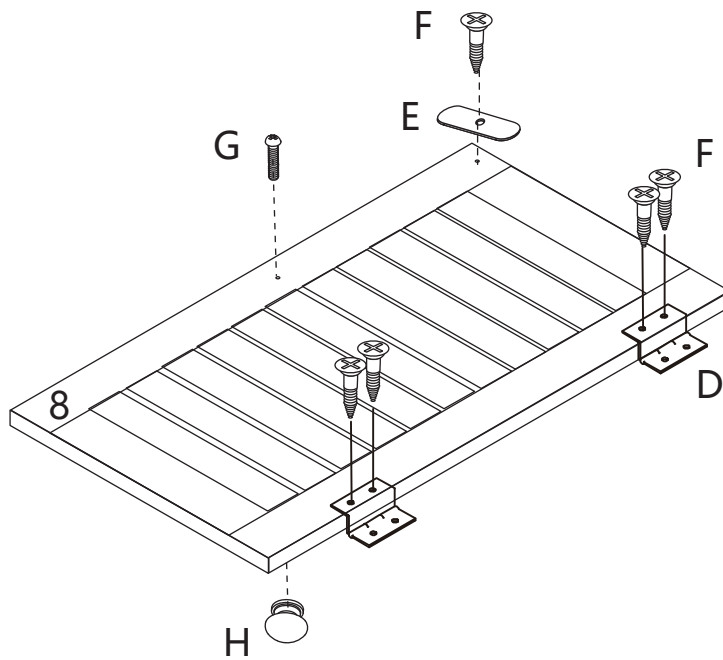
| | | | | | |
|---|---|-------|----|---|-------|
| 1 |  Left Panel | 1 pc | 7 |  Adjustable Shelf | 1 pc |
| 2 |  Right Panel | 1 pc | 8 |  Left Door | 1 pc |
| 3 |  Top Panel | 1 pc | 9 |  Right Door | 1 pc |
| 4 |  Connect Bar | 2 pcs | 10 |  Back Panel | 2 pcs |
| 5 |  Fixed Shelf | 1 pc | 11 |  Back Connect Bar | 1 pc |
| 6 |  Bottom Shelf | 1 pc | | | |

Part List Assembly Overview



PRODUCT ASSEMBLY

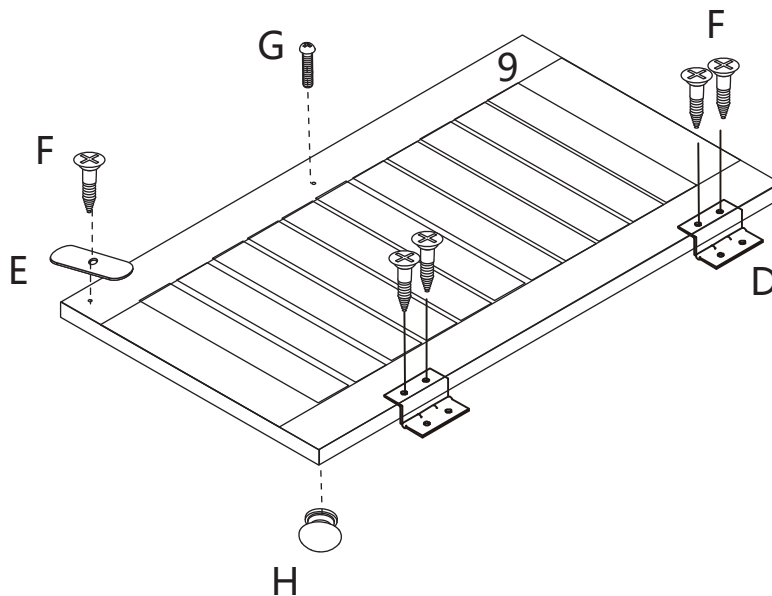
STEP 1



| | | |
|---|--|-------|
| D | | 2 pcs |
| E | | 1 pc |
| F | | 5 pcs |
| G | | 1 pc |
| H | | 1 pc |

- Attach Hinge (D) and Magnetic Bar (E) to Left Door (8) using Screw (F) as shown.
- Attach Knob (H) to Door using Bolt (G).

STEP 2



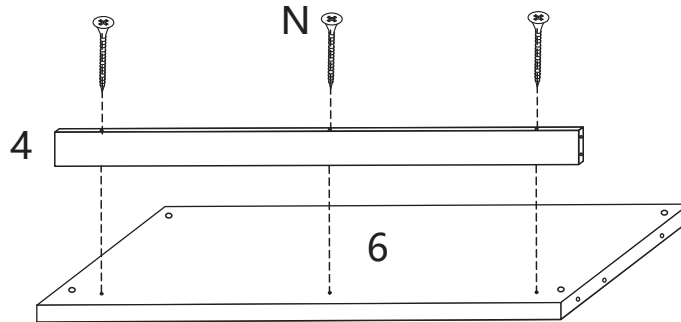
| | | |
|---|--|-------|
| D | | 2 pcs |
| E | | 1 pc |
| F | | 5 pcs |
| G | | 1 pc |
| H | | 1 pc |

- Attach Hinge (D) and Magnetic Bar (E) to Right Door (9) using Screw (F) as shown.
- Attach Knob (H) to Door using Bolt (G).

PRODUCT ASSEMBLY


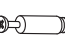

STEP 3

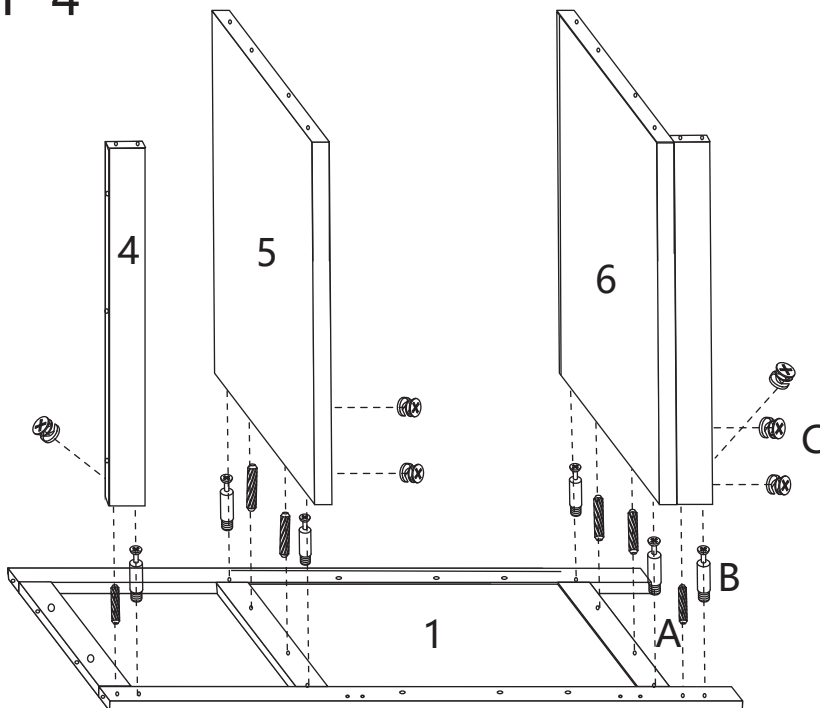
| | | |
|---|---|-------|
| N |  | 3 pcs |
|---|---|-------|



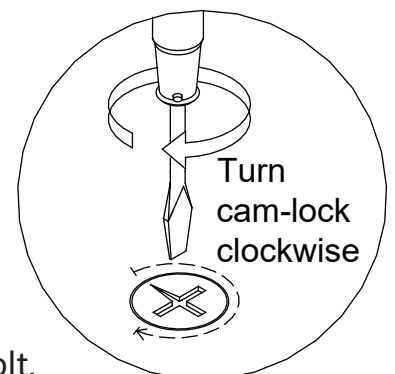
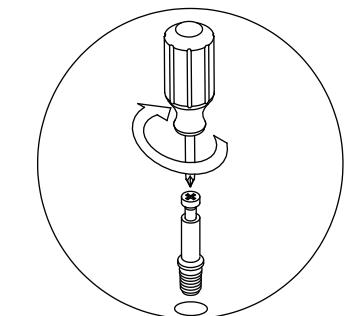
Attach Connect Bar (4) to Bottom Shelf (6) using Screw (N).

STEP 4

| | | |
|---|---|-------|
| A |  | 6 pcs |
| B |  | 6 pcs |
| C |  | 6 pcs |


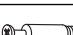



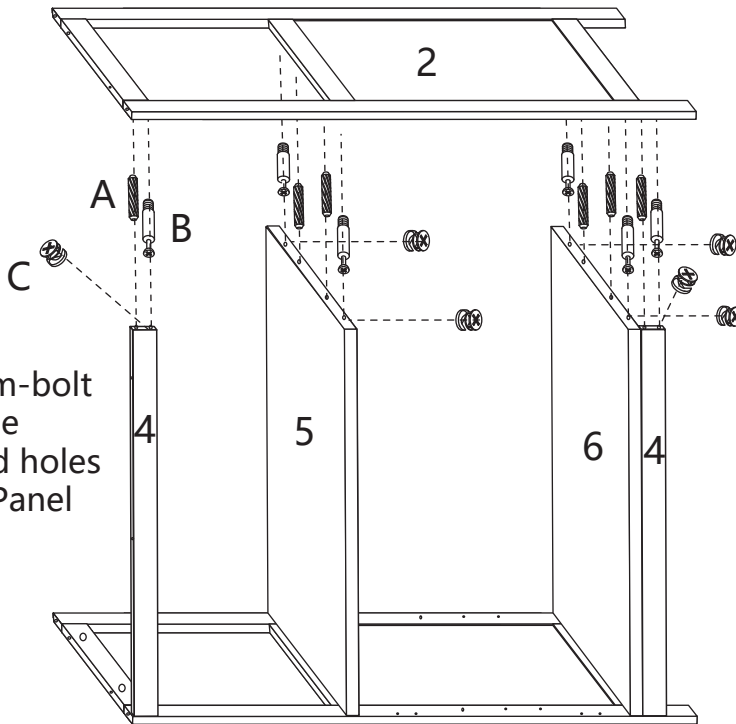
- Screw Cam-bolt (B) into the pre-drilled holes on Left Panel (1).
- Attach Connect Bar (4), Fixed Shelf (5) and Bottom Shelf (6) to (1) via Wood Dowel (A) and Cam-bolts on (1).
- Insert Cam-lock (C) and turn it clockwise to lock onto Cam-bolt.



PRODUCT ASSEMBLY

STEP 5

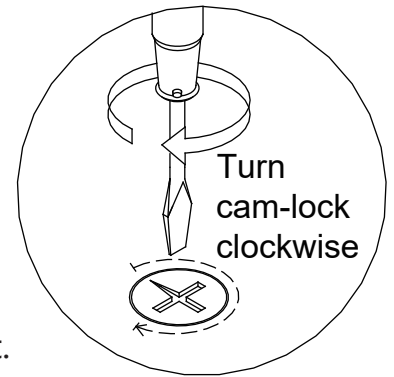
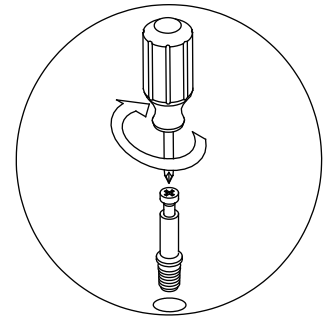
| | | |
|---|---|-------|
| A |  | 6 pcs |
| B |  | 6 pcs |
| C |  | 6 pcs |



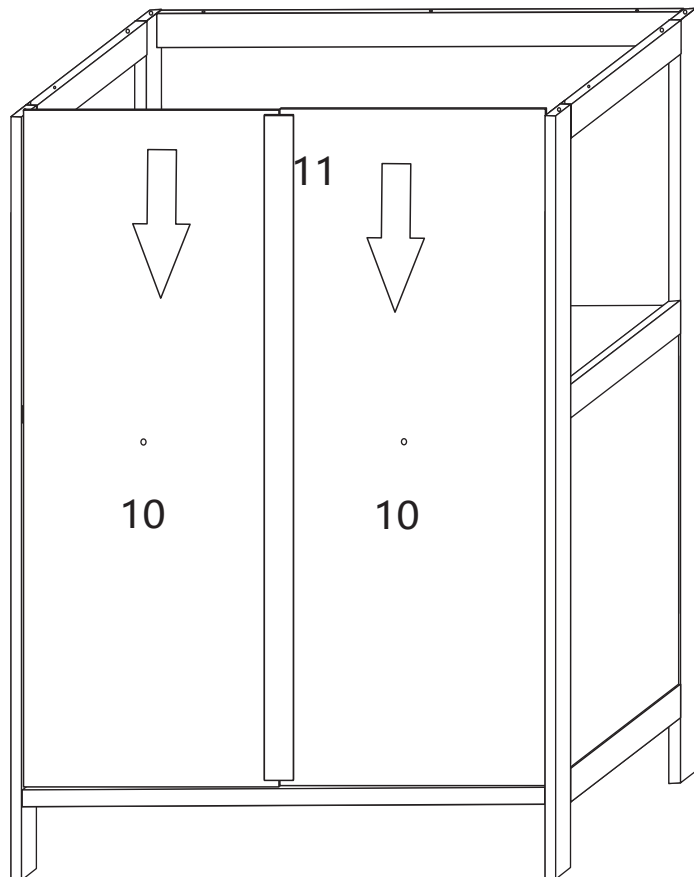
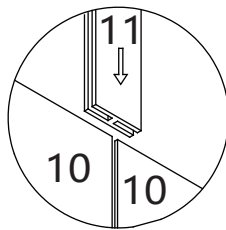
a) Screw Cam-bolt (B) into the pre-drilled holes on Right Panel (2).

b) Attach (2) to (4, 5 & 6) via Wood Dowel (A) and Cam-bolts on (2).

c) Insert Cam-lock (C) and turn it clockwise to lock onto Cam-bolt.



STEP 6

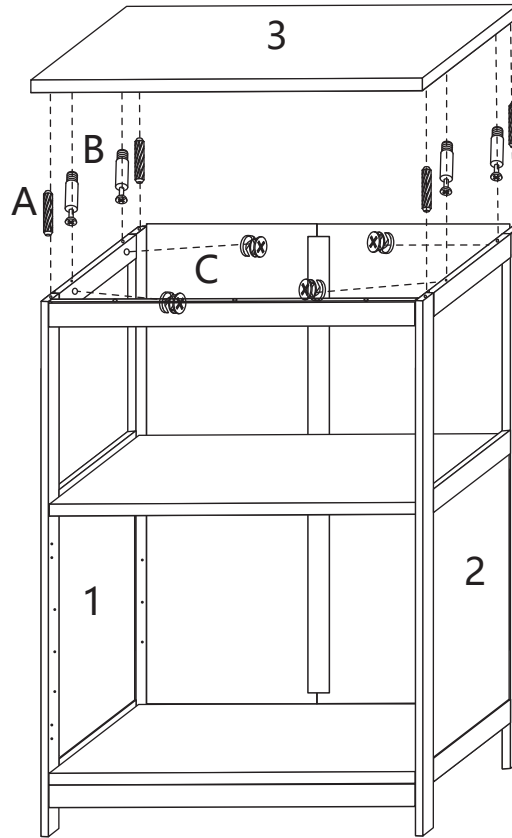


a) Slide in the Back Panel (10) via the groove on Side Panel and Bottom Shelf.

b) Slide in Back Connect Bar (11) between two Back Panels.

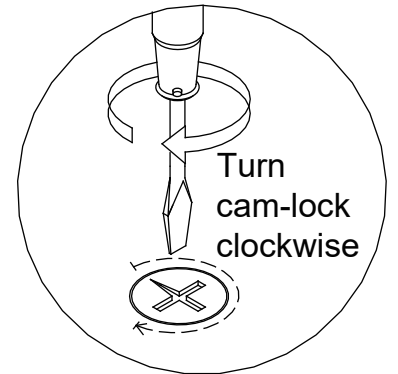
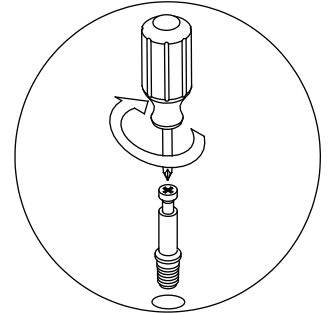
PRODUCT ASSEMBLY

STEP 7

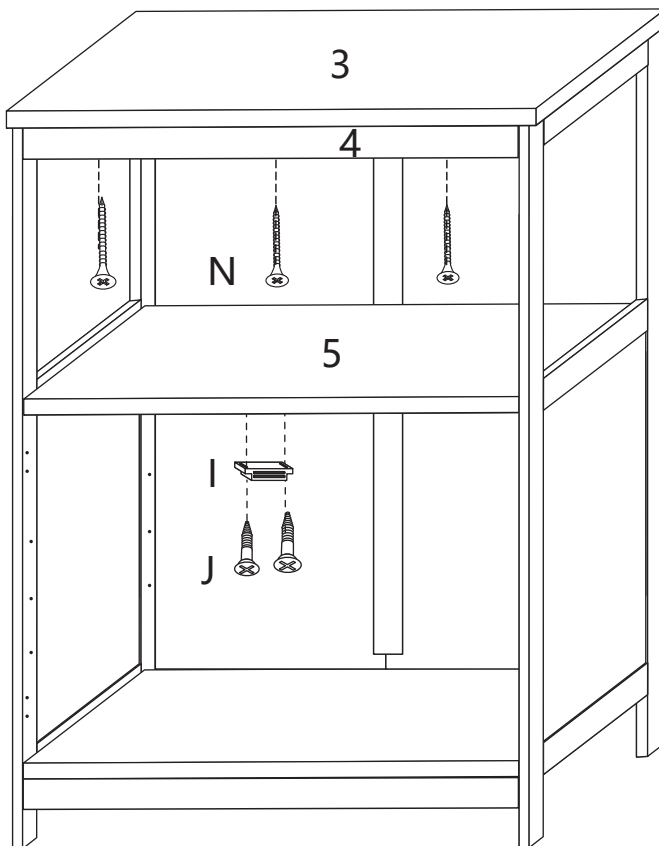


| | | |
|---|--|-------|
| A | | 4 pcs |
| B | | 4 pcs |
| C | | 4 pcs |

- Screw Cam-bolt (B) into the pre-drilled holes on Top Panel (3).
- Attach (3) to (1 & 2) via Wood Dowel (A) and Cam-bolts on (3).
- Insert Cam-lock (C) and turn it clockwise to lock onto Cam-bolt.



STEP 8




| | | |
|---|--|-------|
| I | | 1 pc |
| J | | 2 pcs |
| N | | 3 pcs |

- Affix Connect Bar (4) to Top Panel (3) using Screw (N).
- Attach Magnetic Catch (I) to Fixed Shelf (5) using Screw (J).

PRODUCT ASSEMBLY

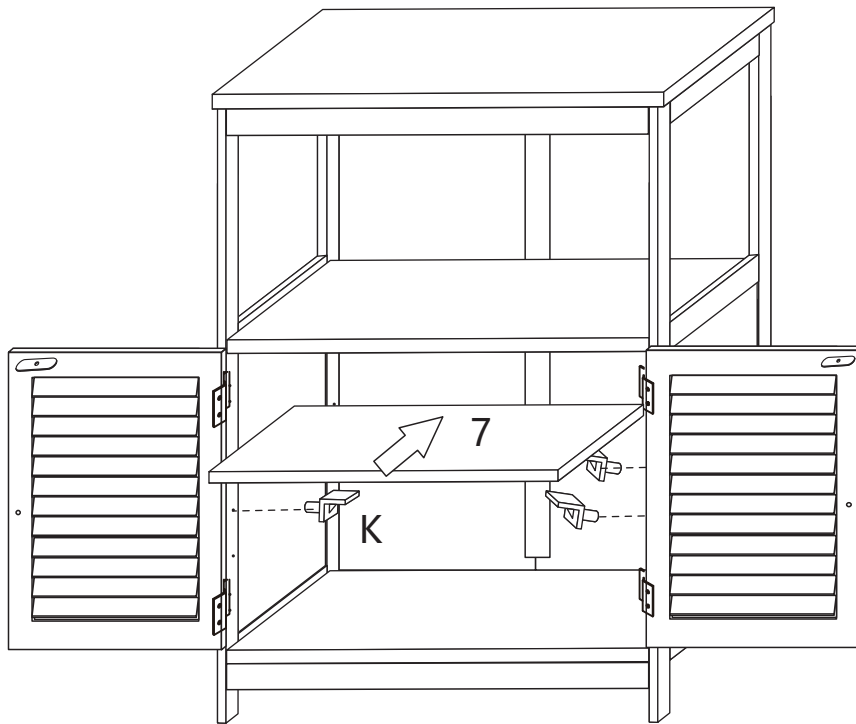
STEP 9

F  3*12mm 8 pcs






STEP 10

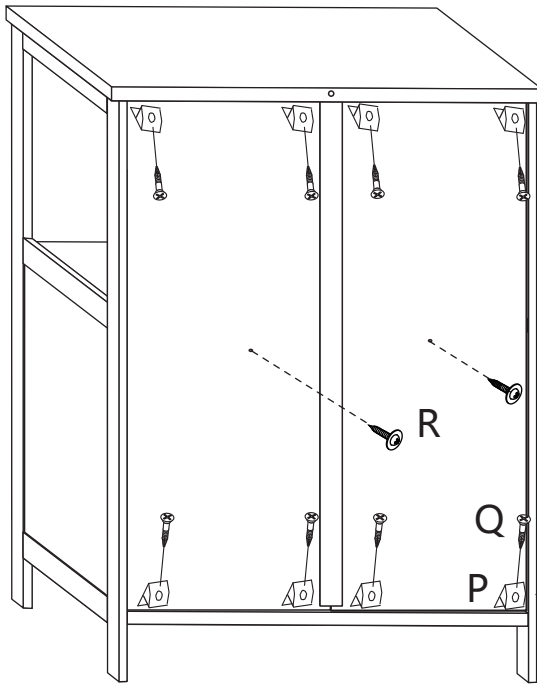
F  4 pcs



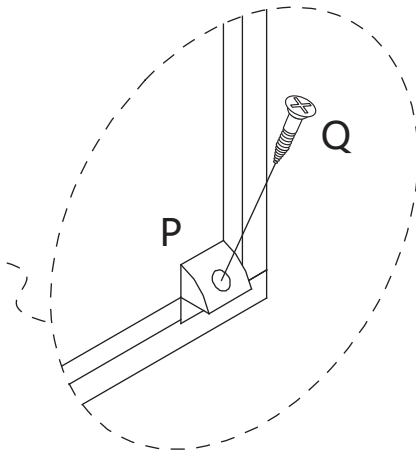
PRODUCT ASSEMBLY

STEP 11

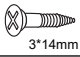


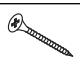
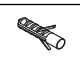
| | | |
|---|--|-------|
| P |  | 8 pcs |
| Q |  3*16mm | 8 pcs |
| R |  | 2 pcs |

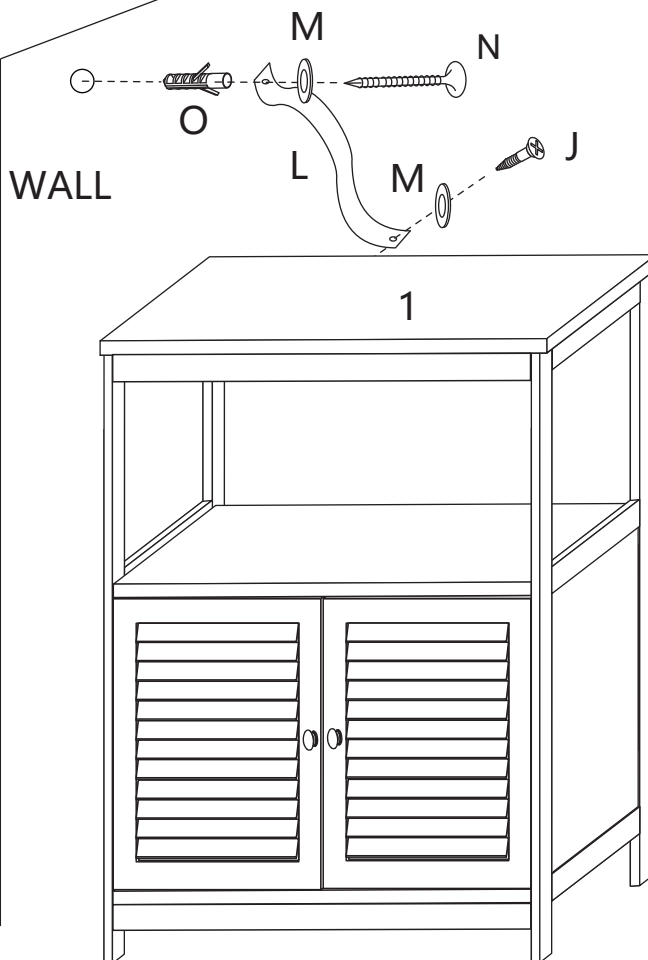


- a) Attach Fixed Button (P) to the groove for back panel by using Screw (Q) as shown.
- b) Affix Back panel to Fixed Shelf using Screw (R).



STEP 12

| | | |
|---|--|-------|
| J |  3*14mm | 1 pc |
| L |  | 1 pc |
| M |  | 2 pcs |
| N |  | 1 pc |
| O |  | 1 pc |



- a) Attach Bandage (L) to Top Panel using Flat Washer (M) and Screw (J).
- b) Drill a hole (as per diameter of Plastic Anchor) in the drywall.
- c) Insert Plastic Anchor (O) into the drywall.
- d) Fixed the product to the drywall using Flat Washer (M) and Screw (N).