



K (x1)



P (x4)



R (x4)

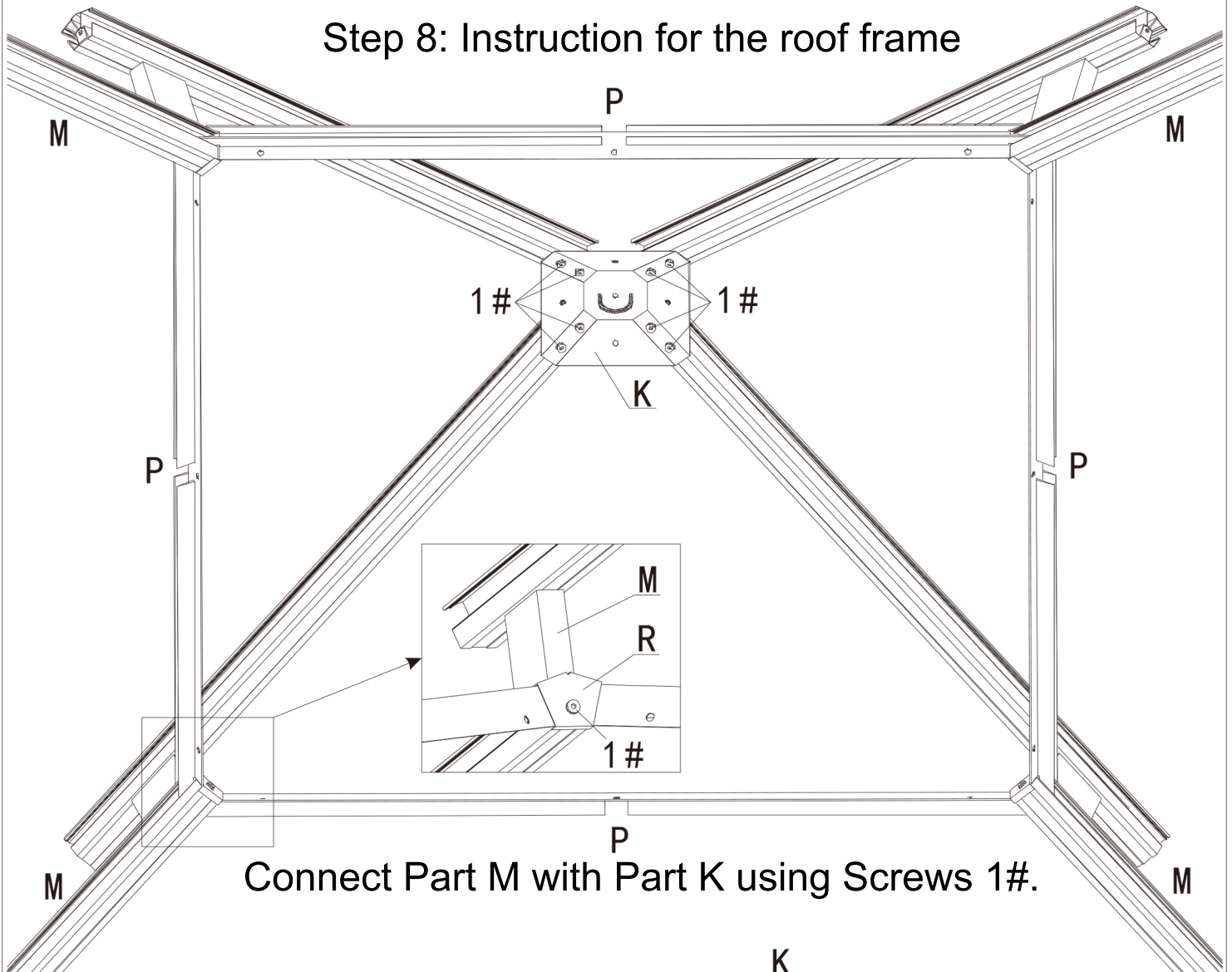


1#
x16



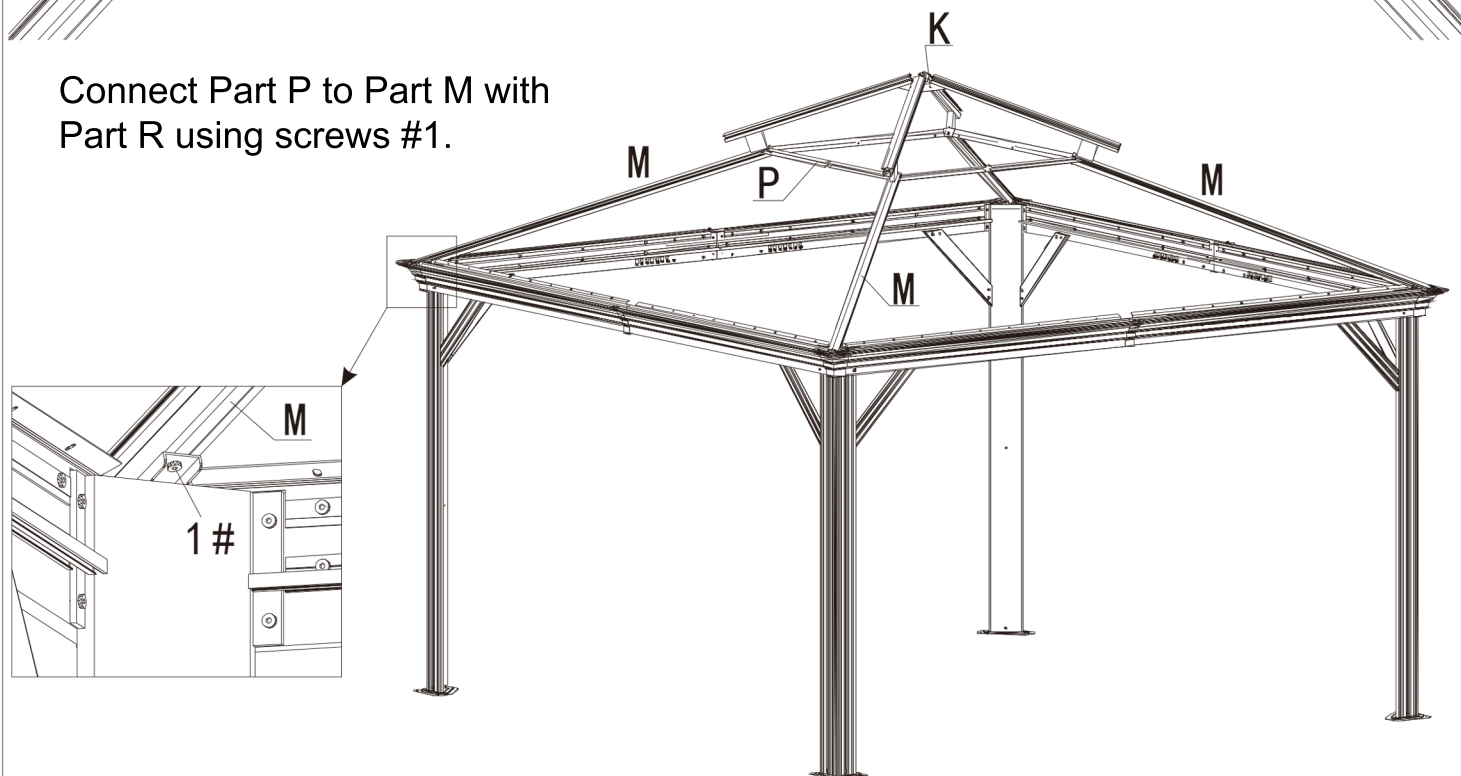
M (x4)

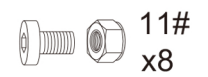
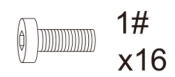
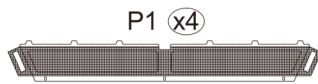
Step 8: Instruction for the roof frame



Connect Part M with Part K using Screws 1#.

Connect Part P to Part M with Part R using screws #1.

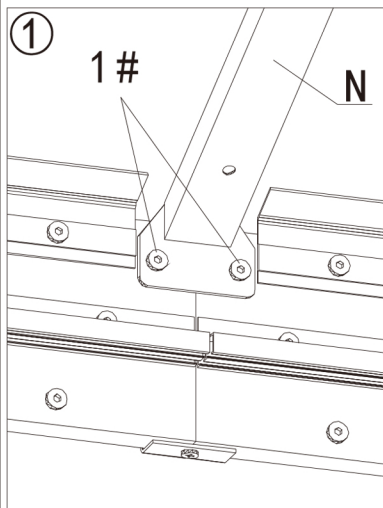
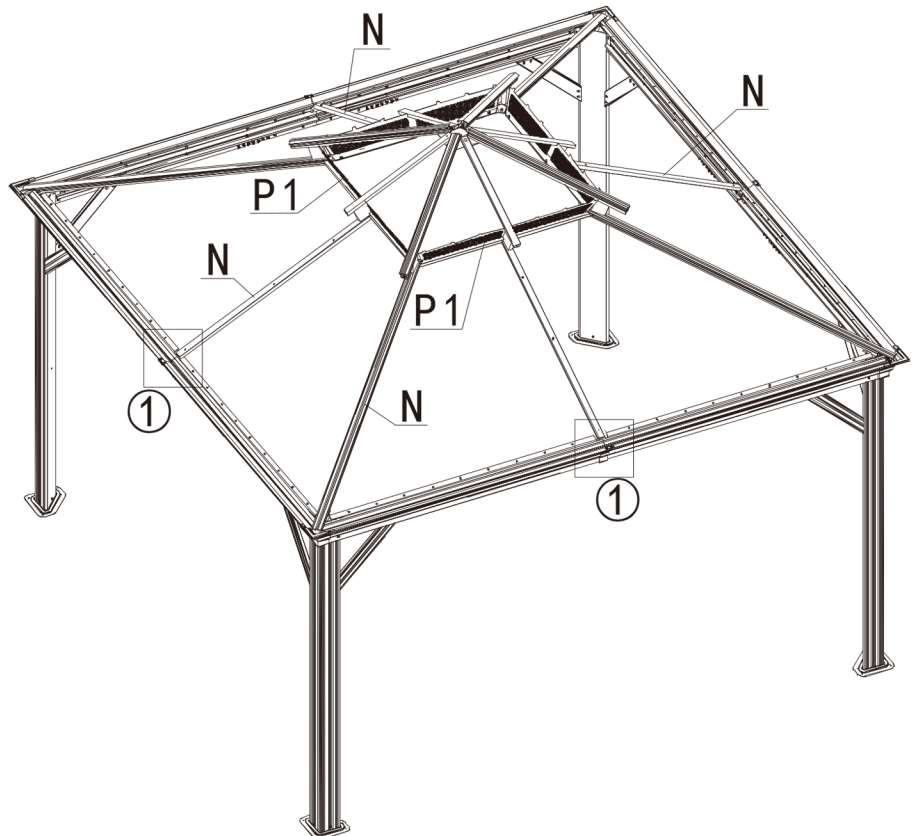
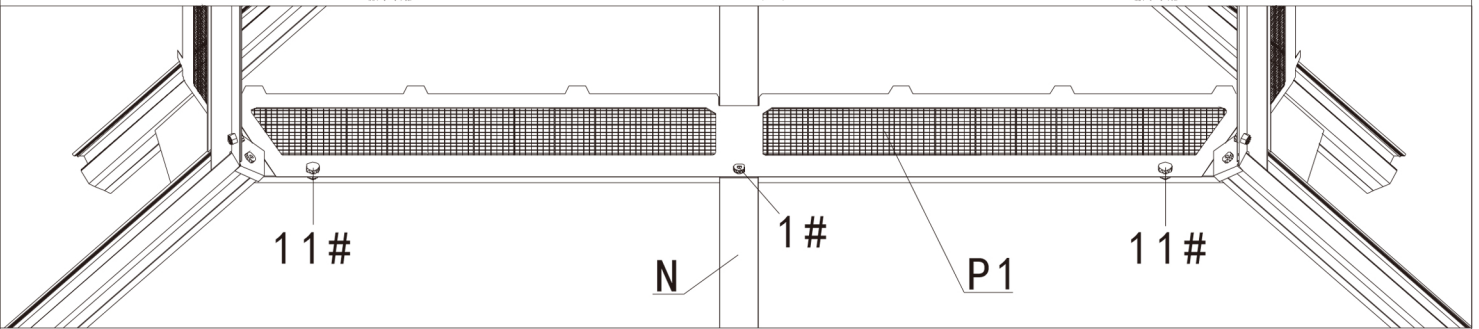
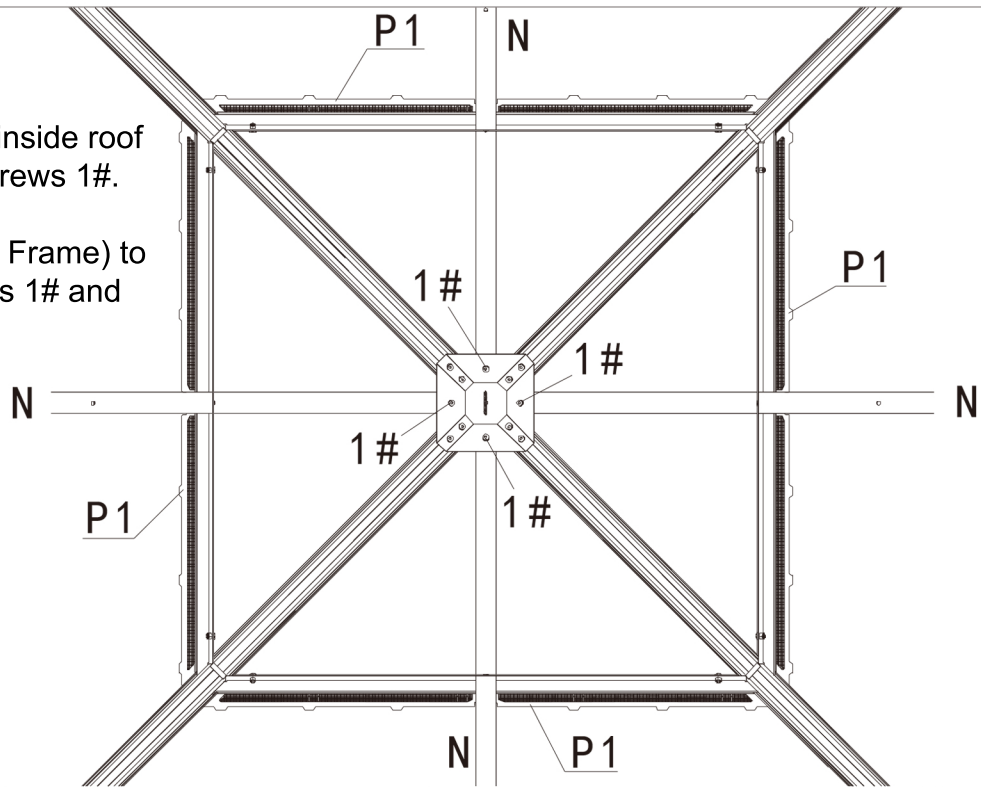


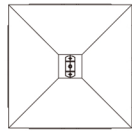


Step 9:

Connect Part N to inside roof connector using screws 1#.

Attach Part P1 (Net Frame) to Part P using screws 1# and screws 11#.

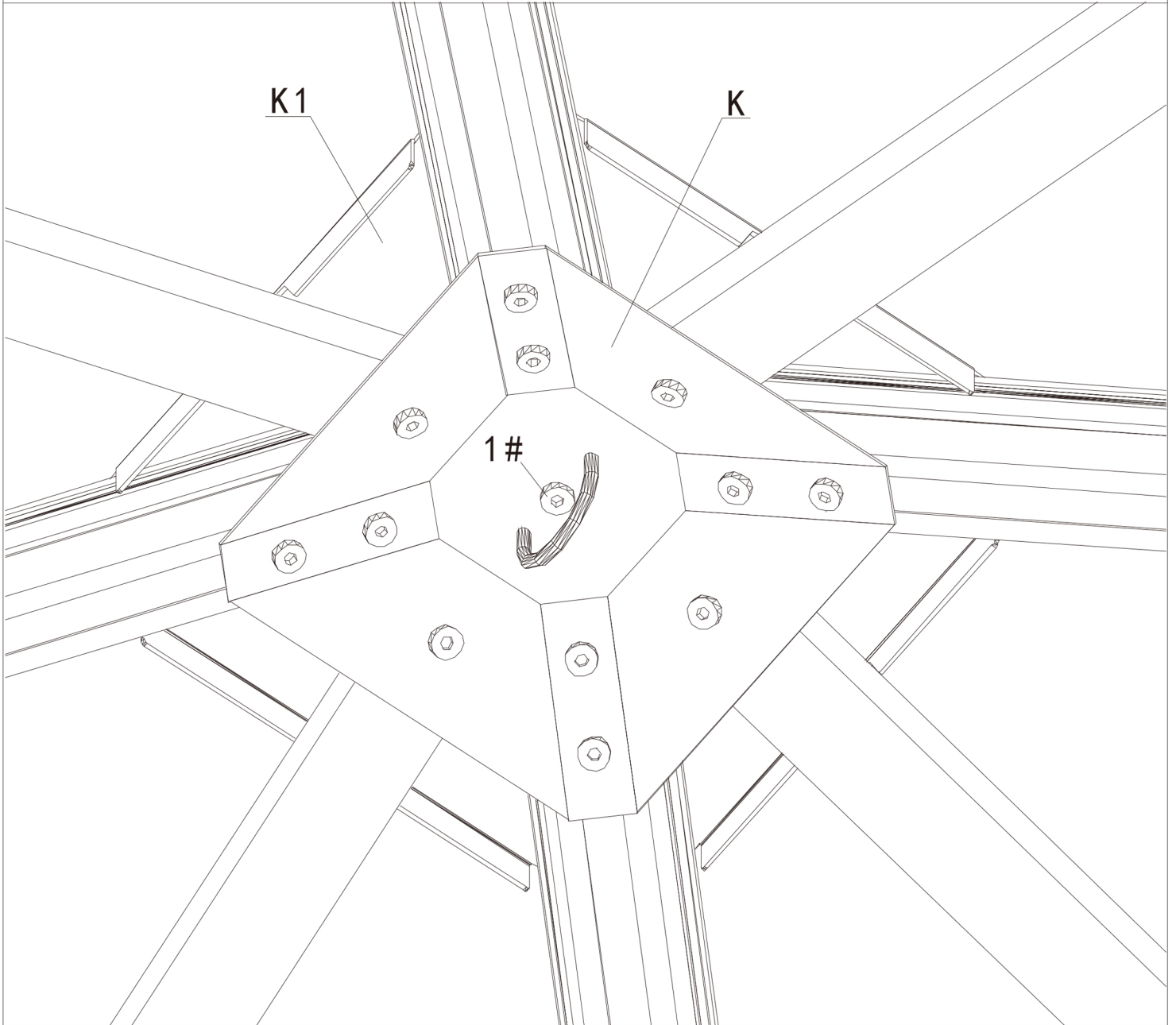




K1 x1

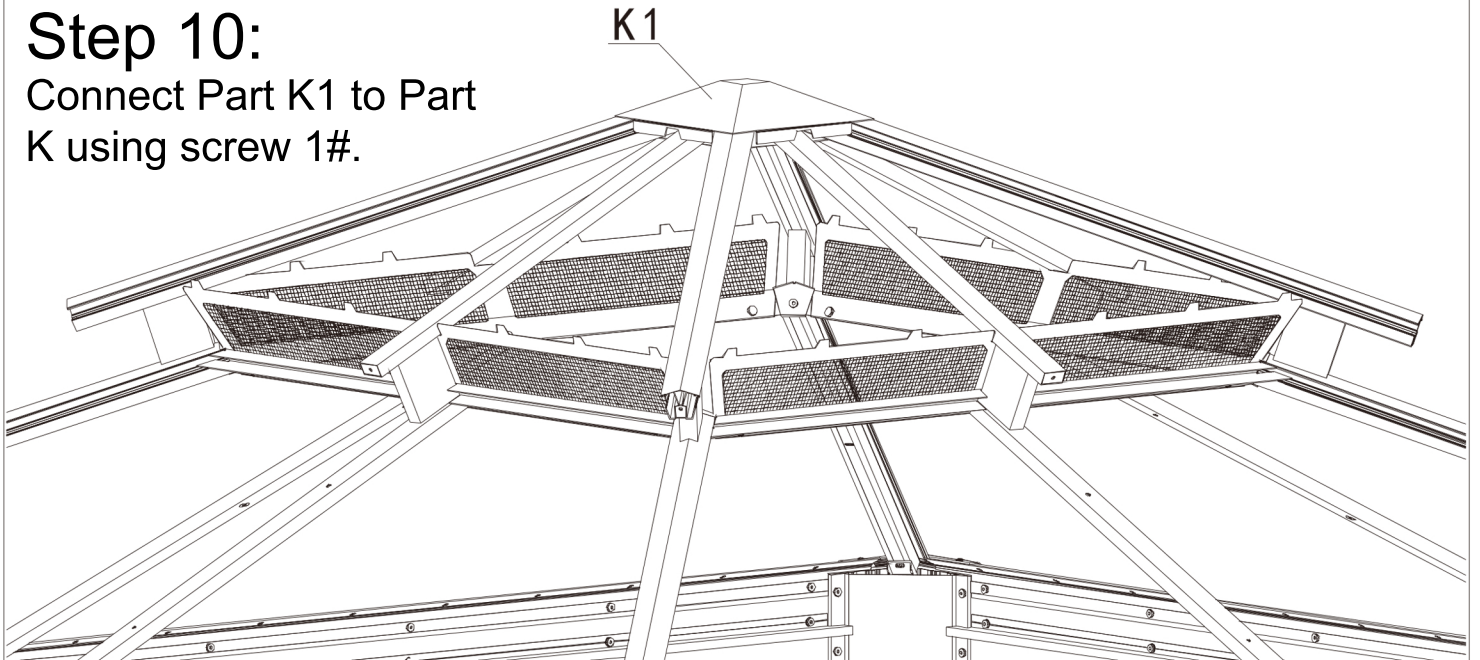


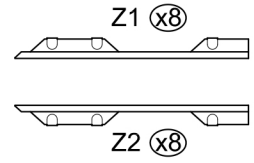
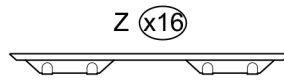
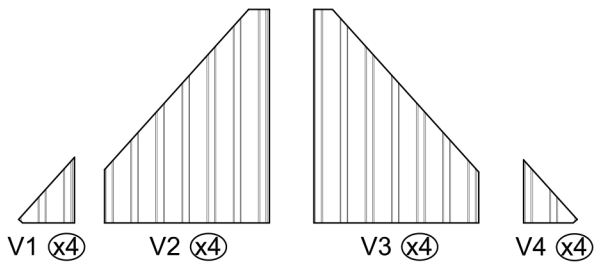
1#
x1



Step 10:

Connect Part K1 to Part K using screw 1#.





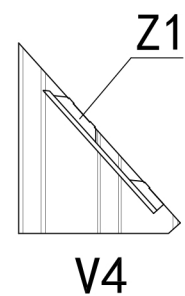
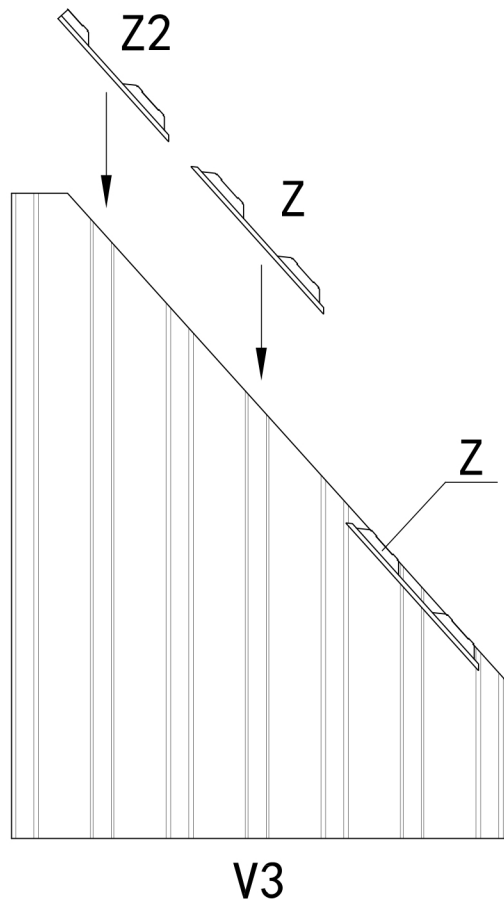
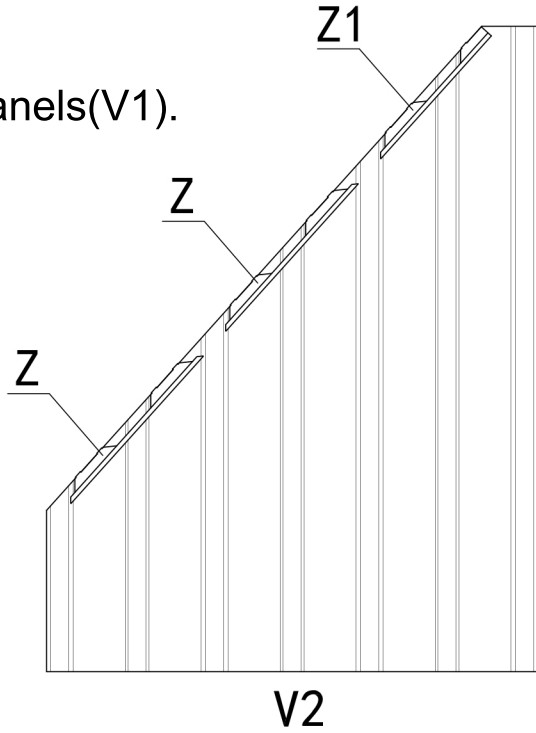
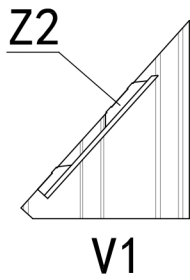
Step 11:

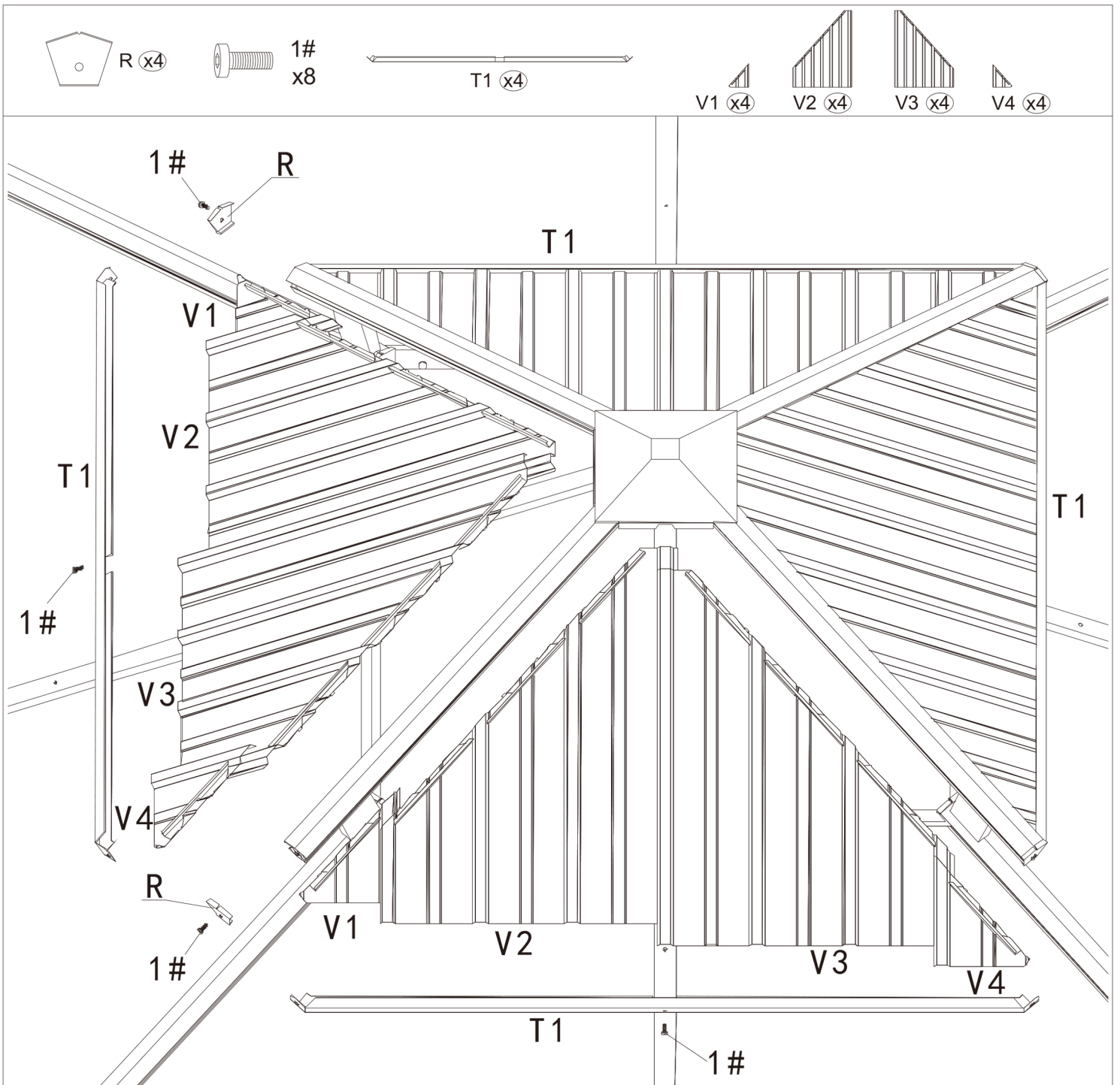
Cover Part Z2 to Roof Panels(V1).

Cover Part Z,Z1 to V2.

Cover Part Z2,Z to V3.

Cover Z1 to V4.

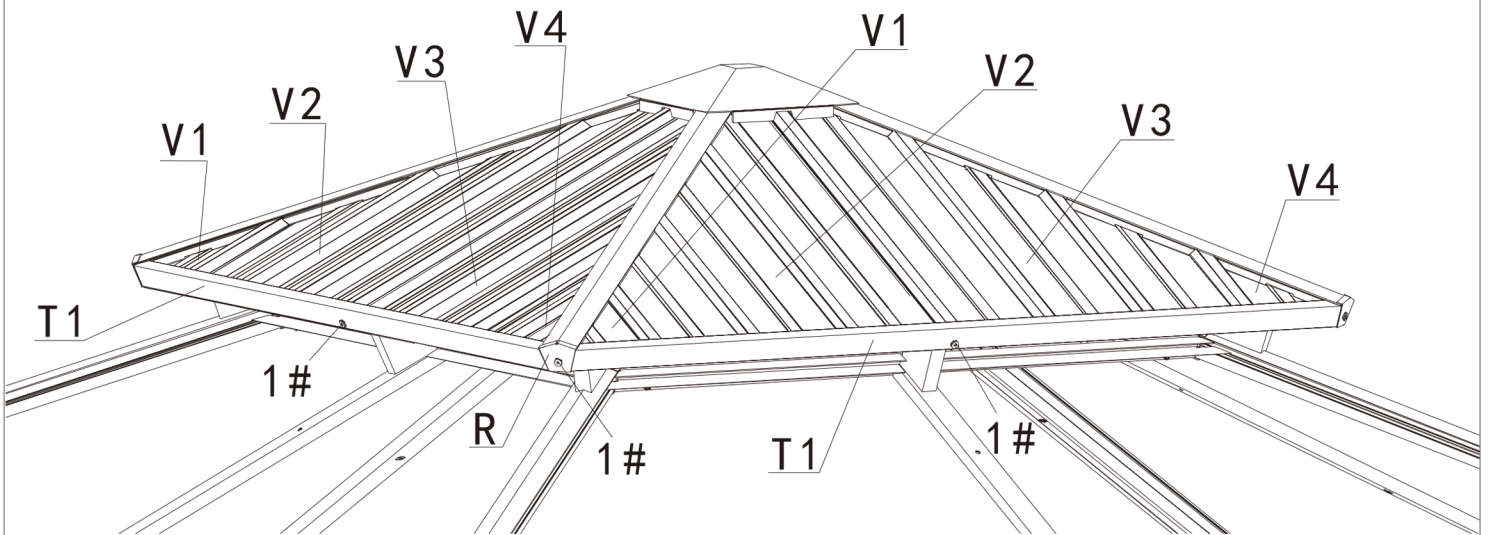




Step 12:

Push Part V1,V2,V3,V4 to the top Roof.

Connect Part T1 to the Roof with Part R using Screws 1#.





U1 (x8)



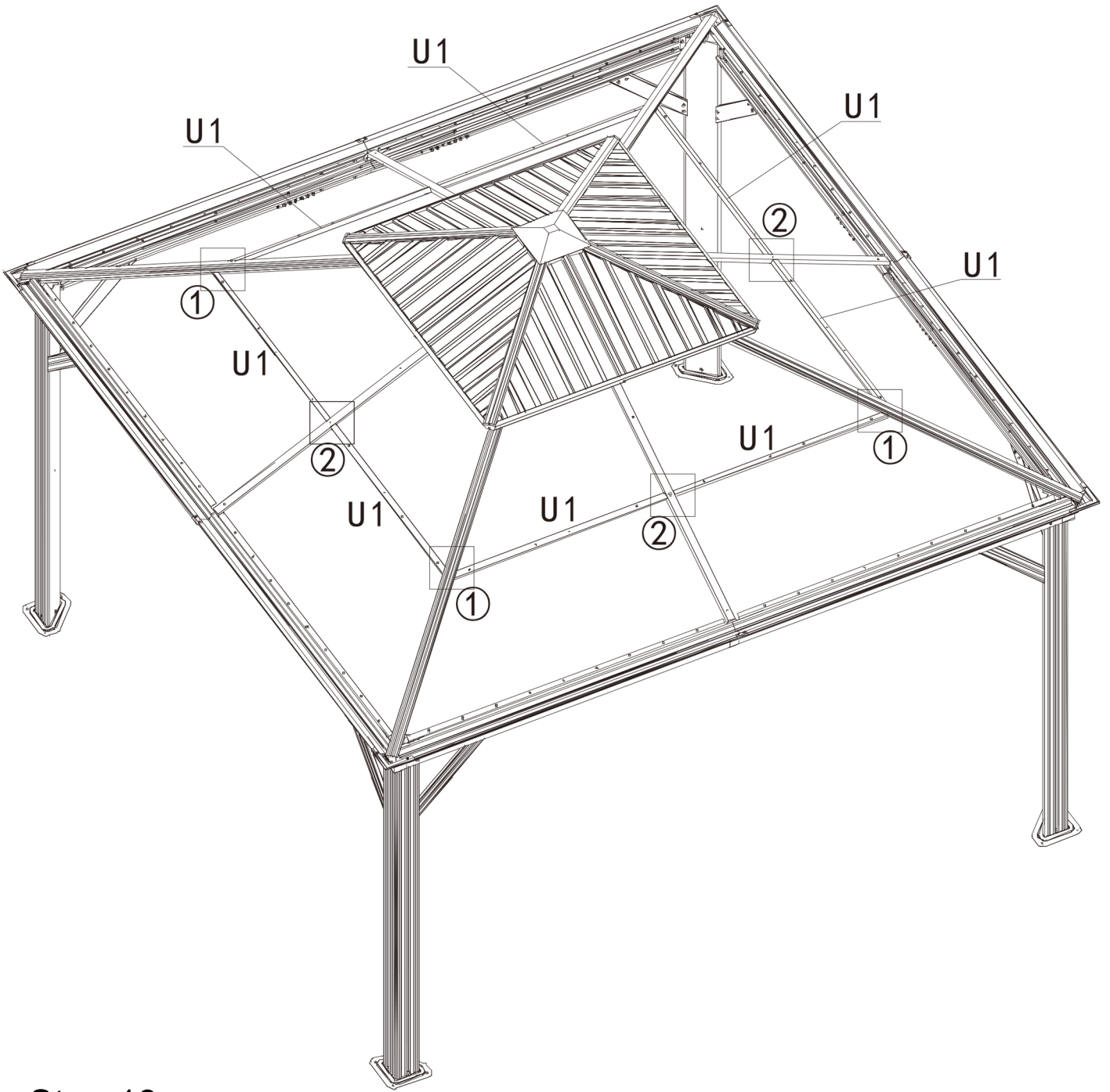
U3 (x4)



U4 (x4)

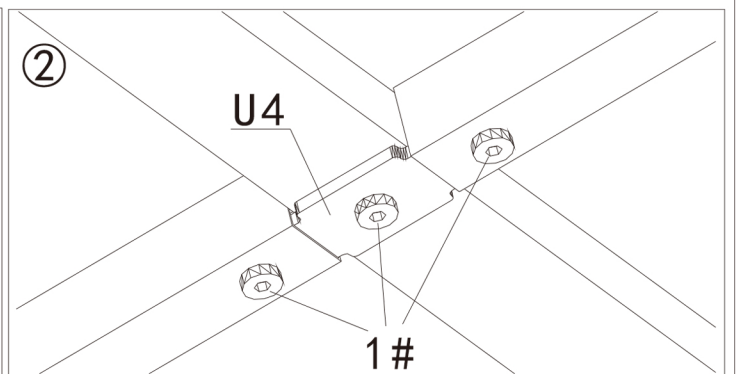
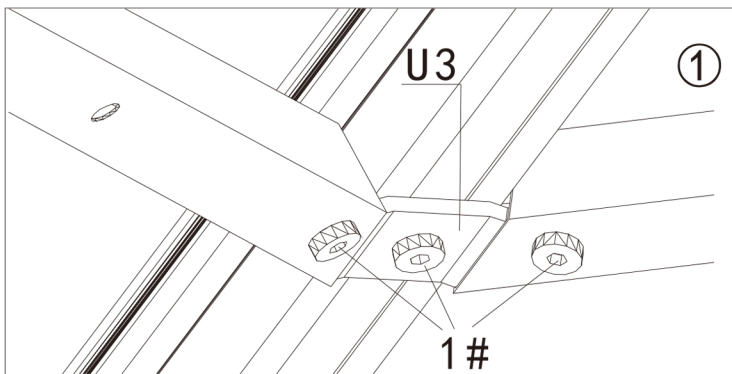


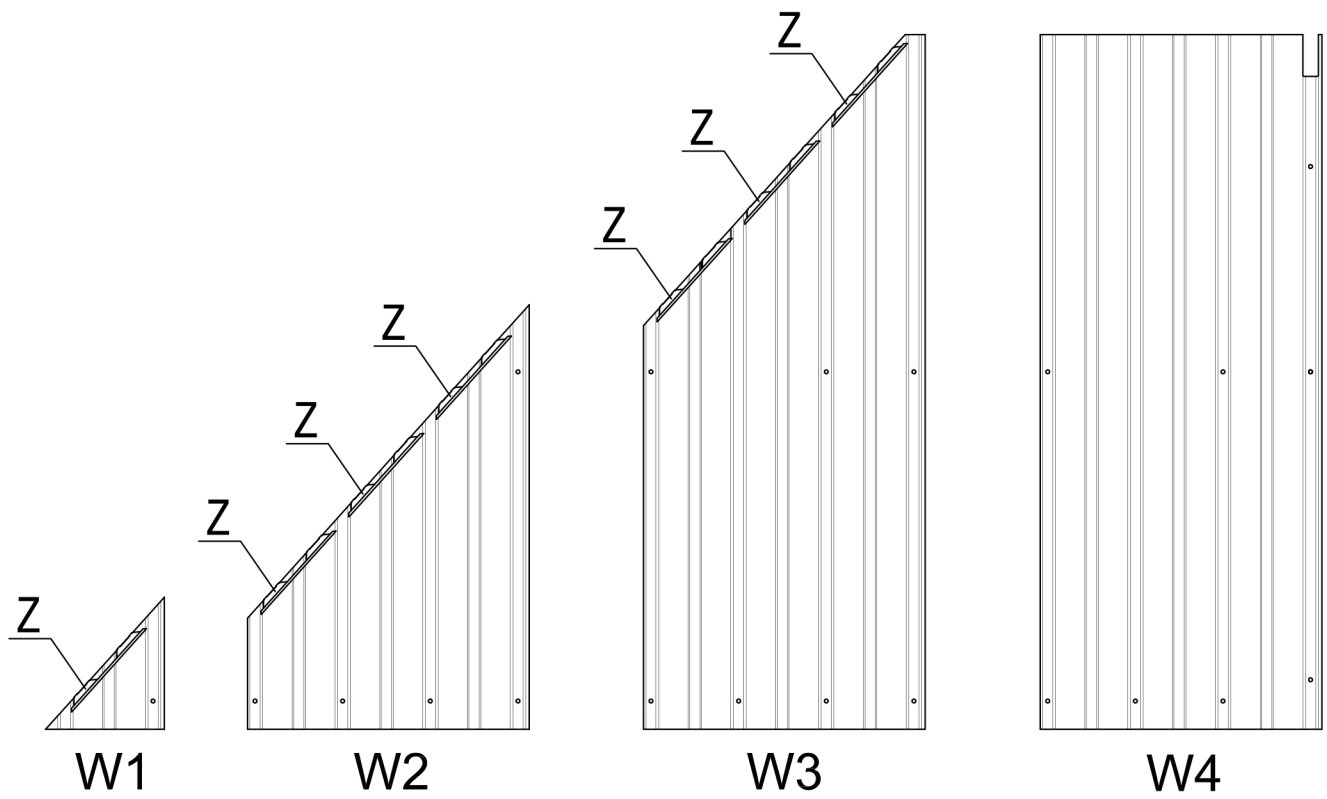
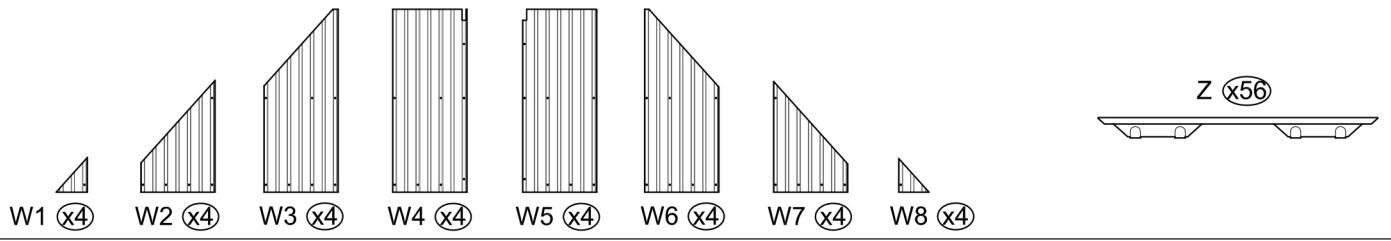
1#
x24



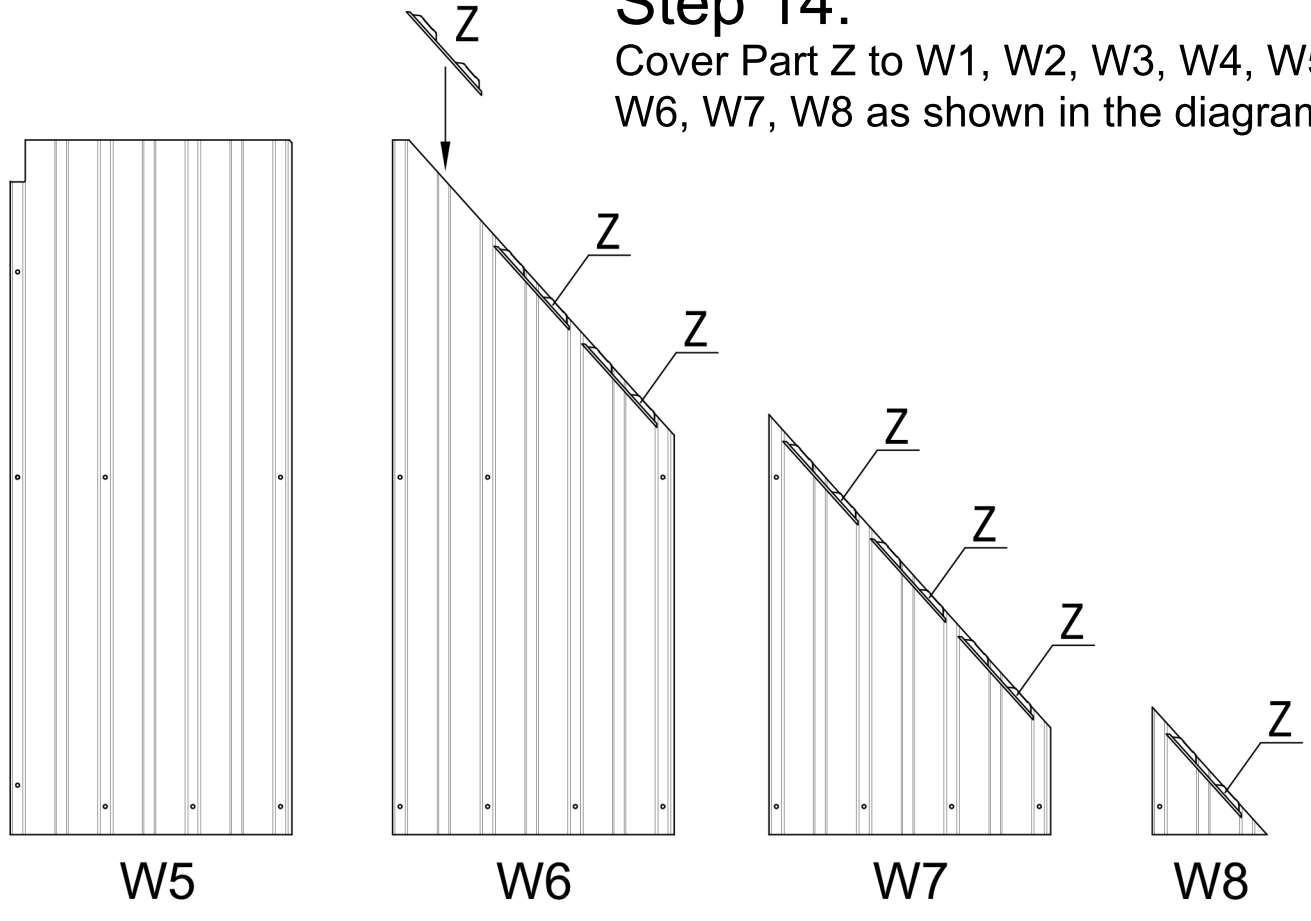
Step 13:

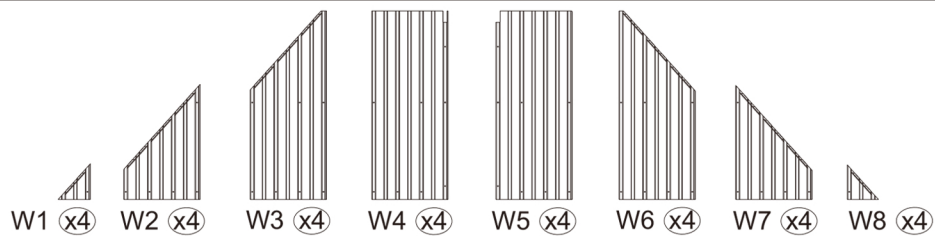
As shown, Affix Part U3 to ① with Screws 1#. Affix Part U4 to ② with Screws 1#.





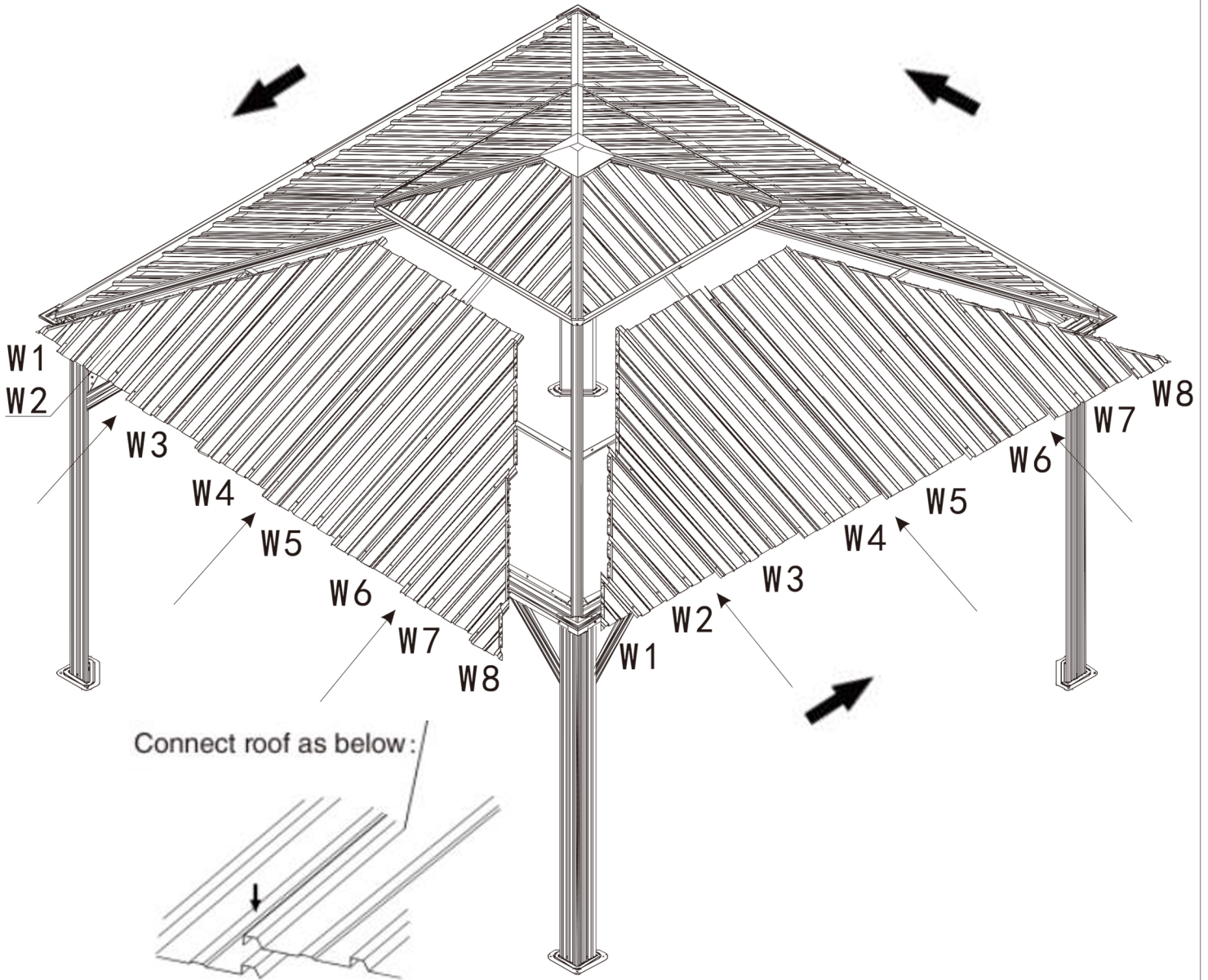
Step 14:
 Cover Part Z to W1, W2, W3, W4, W5,
 W6, W7, W8 as shown in the diagram.

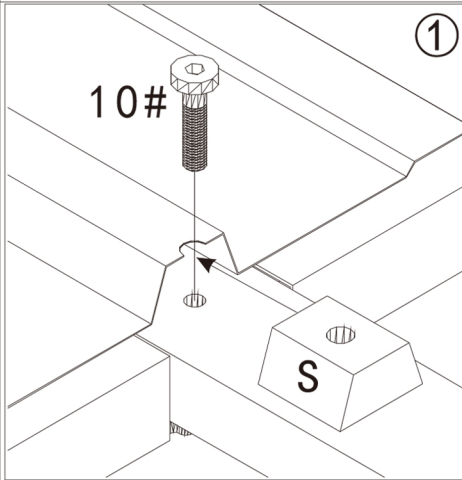
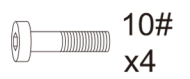
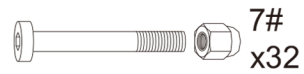
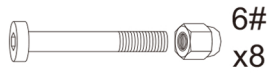
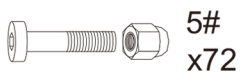




Overall roof assembly:

Please put the panels on the frame anti-clockwisely

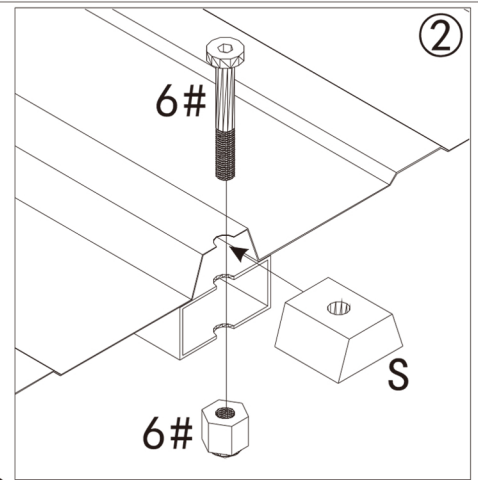




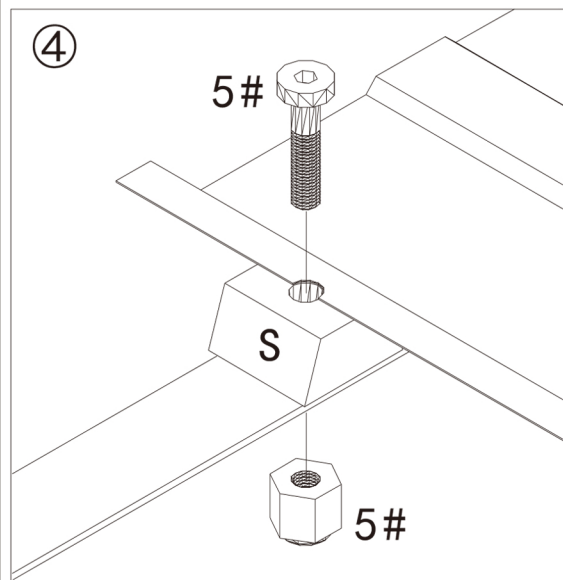
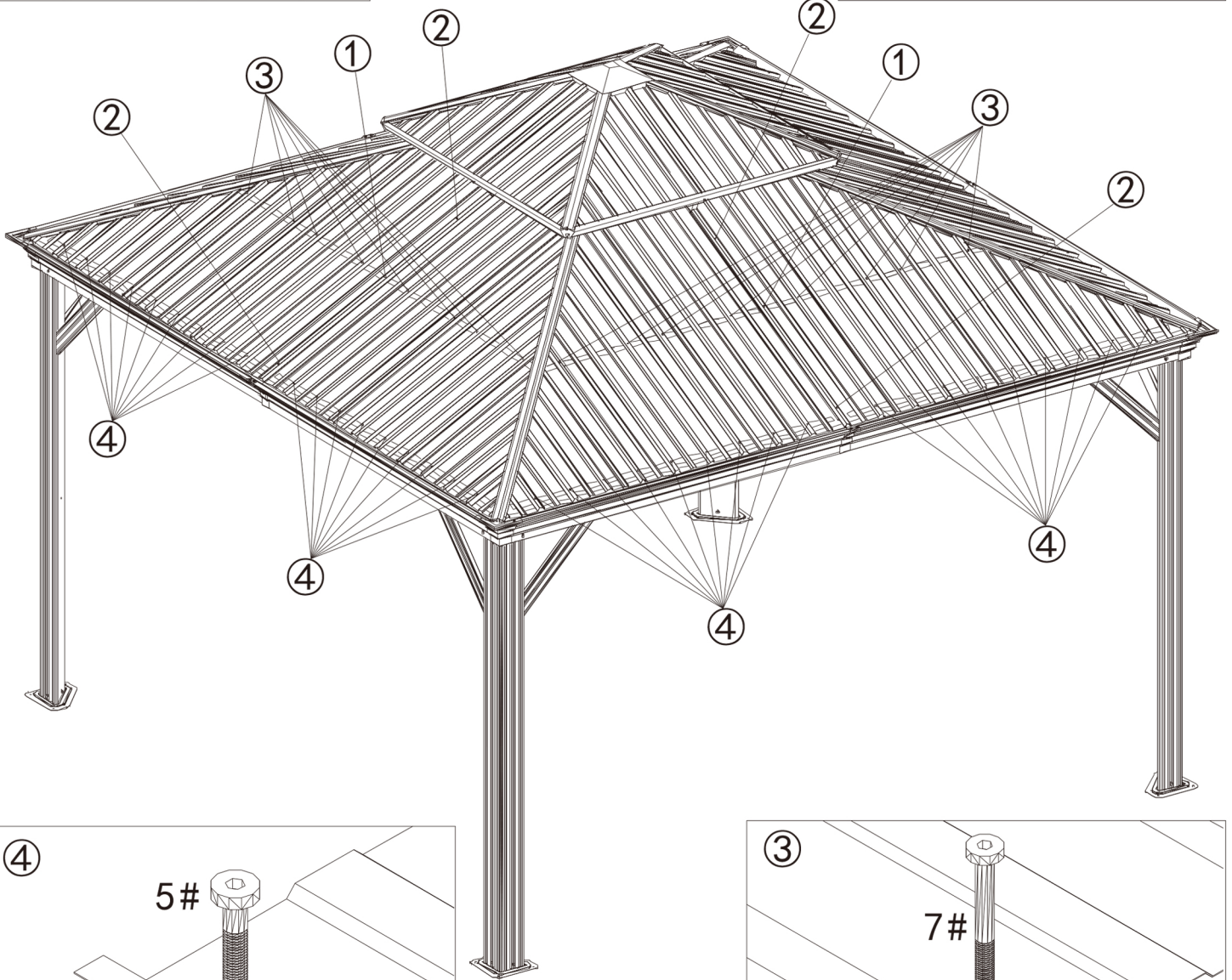
①

Step 15:
Affix the roof panels with screws and Part S.

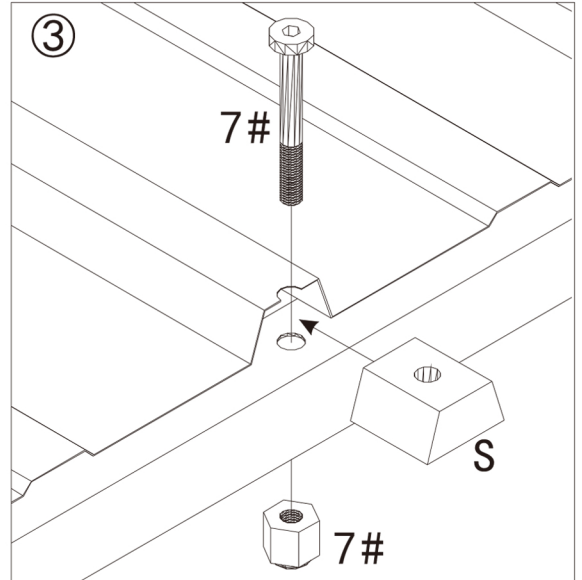
Note:
Before installing the second roof panel, put on one roof panel and fasten it.



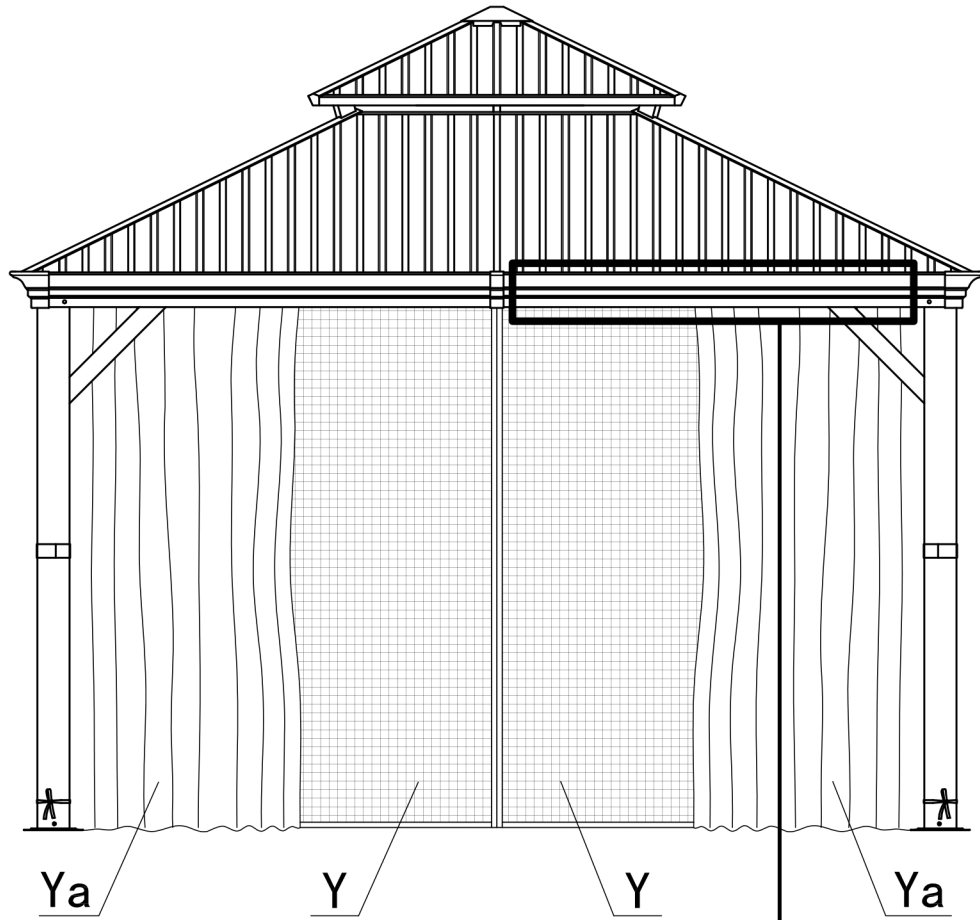
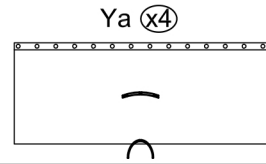
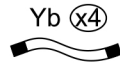
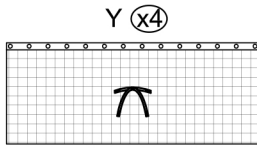
②



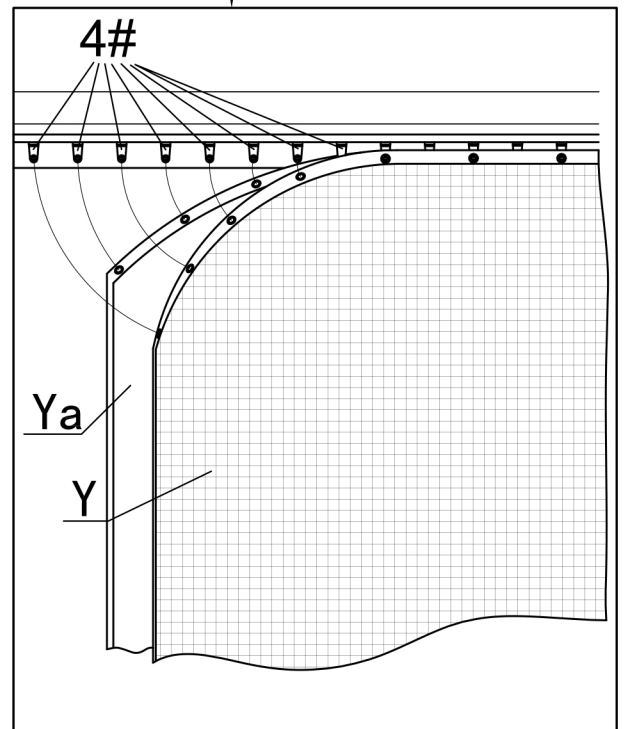
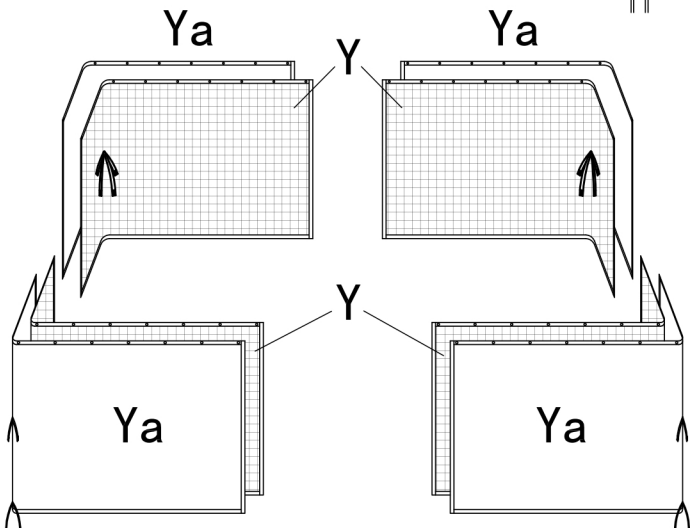
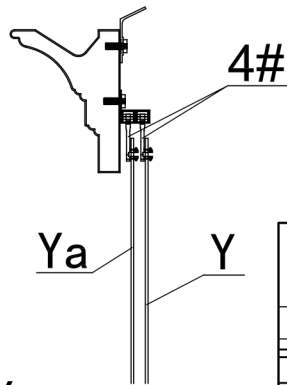
④

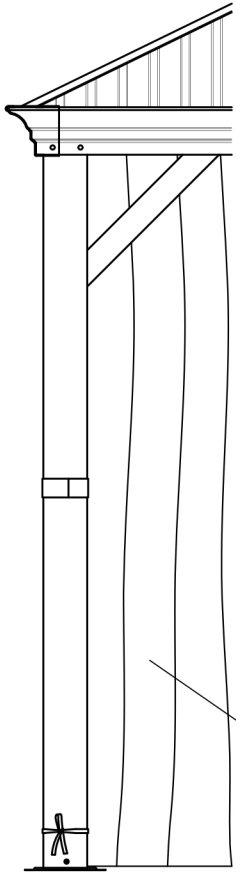


③

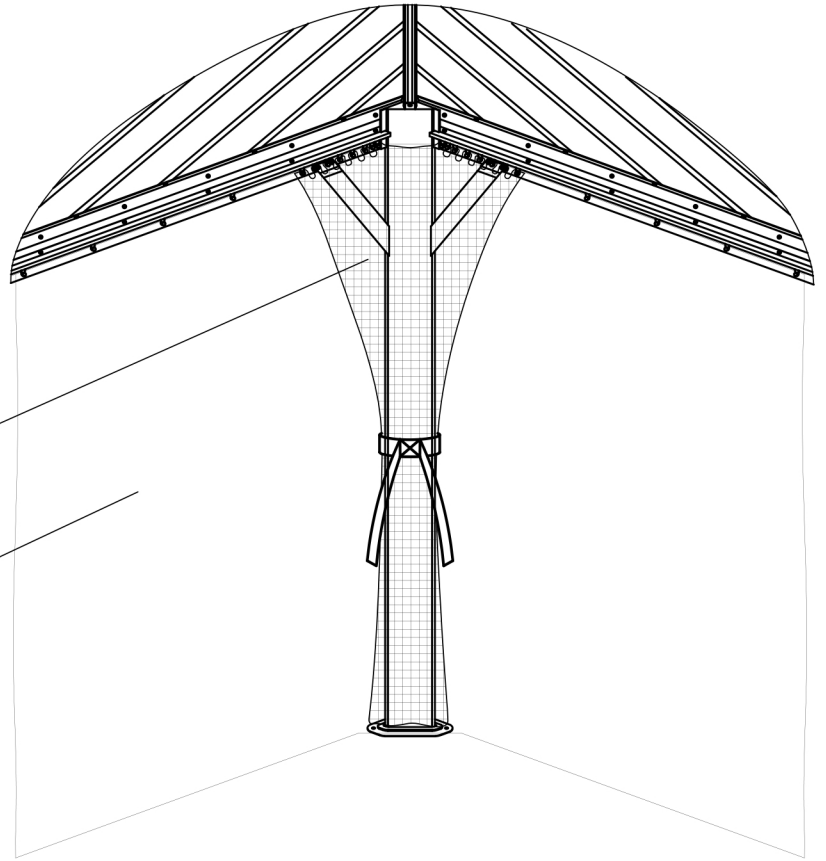


Step 16:
Hang up mosquito net
and solid sidewalls.



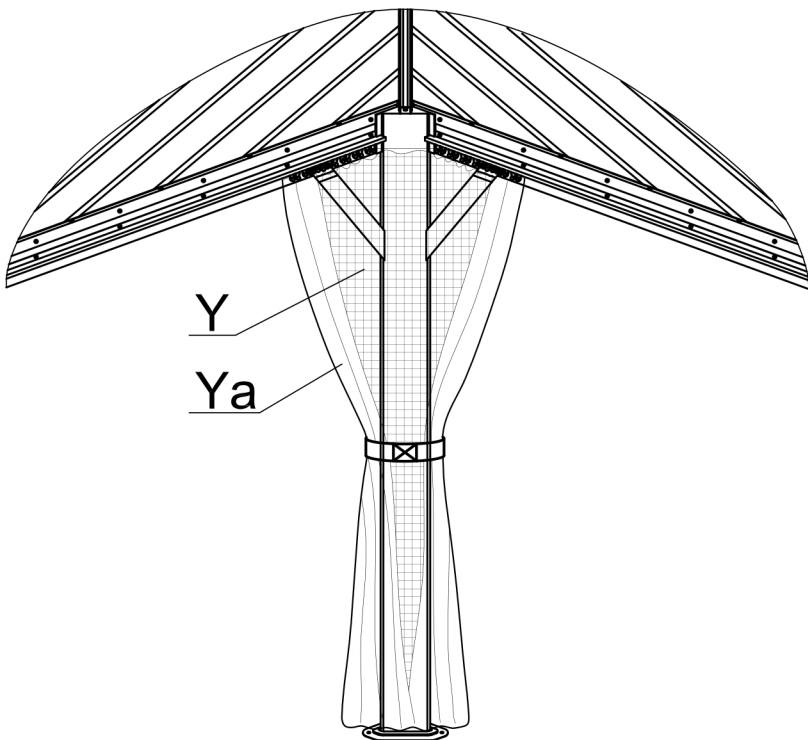


Ya



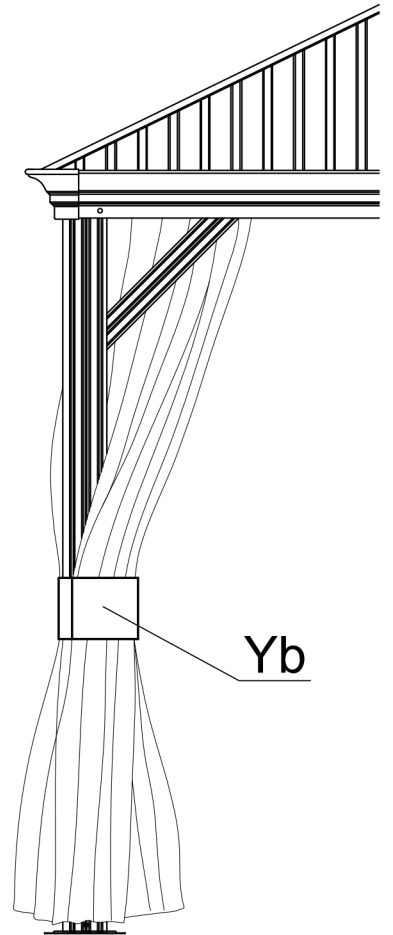
Y

Ya



Y

Ya



Yb