

Read this instruction carefully. See hardware and furniture part list for guidance. Be sure all parts are complete, before you assemble. Place all wooden furniture parts on a clean and flat soft surface to prevent from being scratched. Follow the figure to start assembling.

PART LIST			
ITEM	DESCRIPTION	BOX	QTY
A	HEADBOARD	1	1 PC
B	FOOTBOARD	2	1 PC
C	SIDE RAIL	2	2 PCS
D	CENTER RAIL	2	1 PC
E	CENTER SUPPORT LEG	2	2 PCS
F	LEG	2	4 PCS
G	BED SLAT	3	1 SET

HARDWARE LIST (BOX : 2)		
ITEM	DESCRIPTION	QTY
1	Hand Knob Screw Handle Thread 7 Star Shaped Head Clamping M8 x 50mm	2 PCS

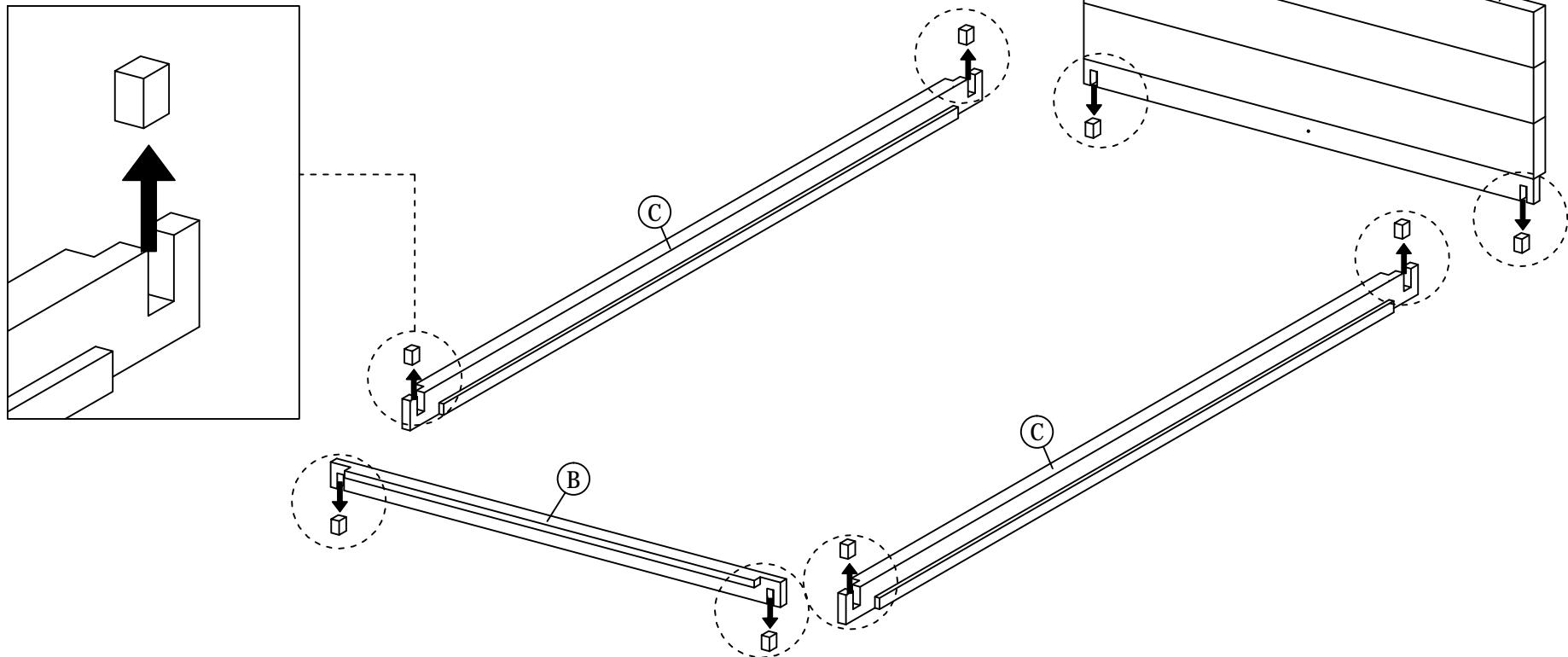
- CAUTIONS :**
1. Do not FULLY - TIGHTEN the nut or nut bolt until all nut or bolt is ready assembled.
 2. Do not OVER - TIGHTEN the nut or bolt to avoid causing damages to the thread.
 3. Keep all hardware parts out of reach of children.

NOTE : THE LIST AND QUANTITY SHOWN ARE FOR 1 UNIT ASSEMBLY.

Tool needed : Screwdriver (not provider).

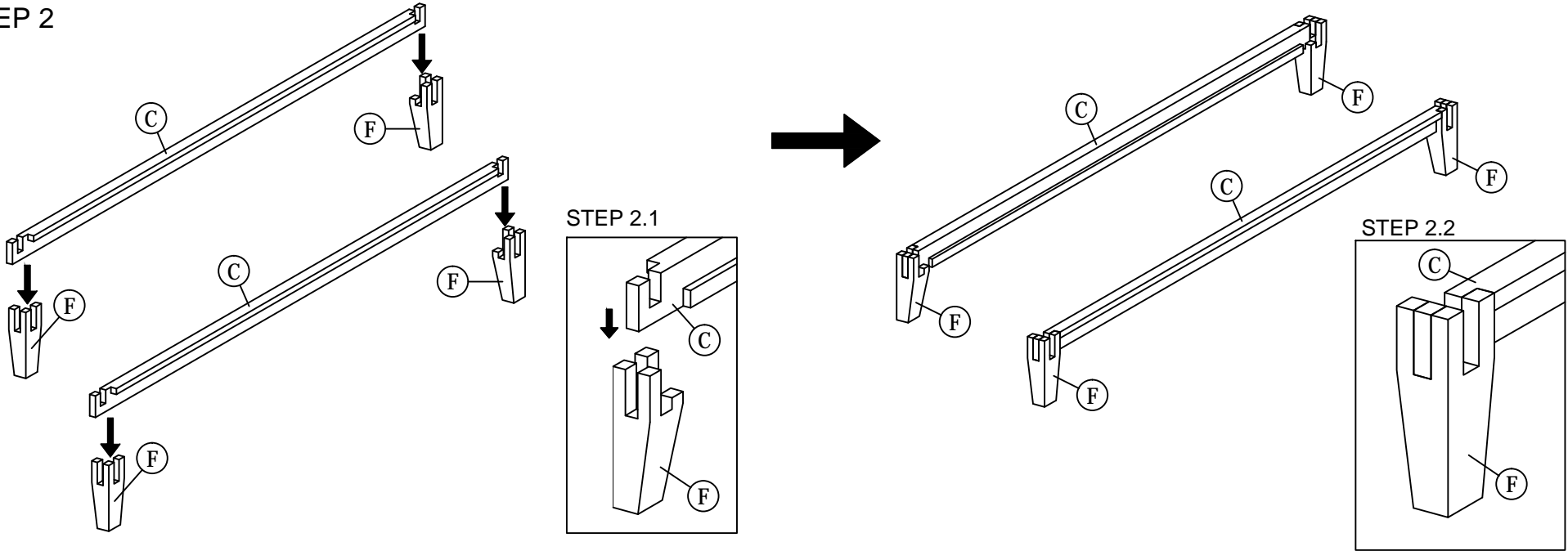
STEP 1

Take out the Wooden Block.

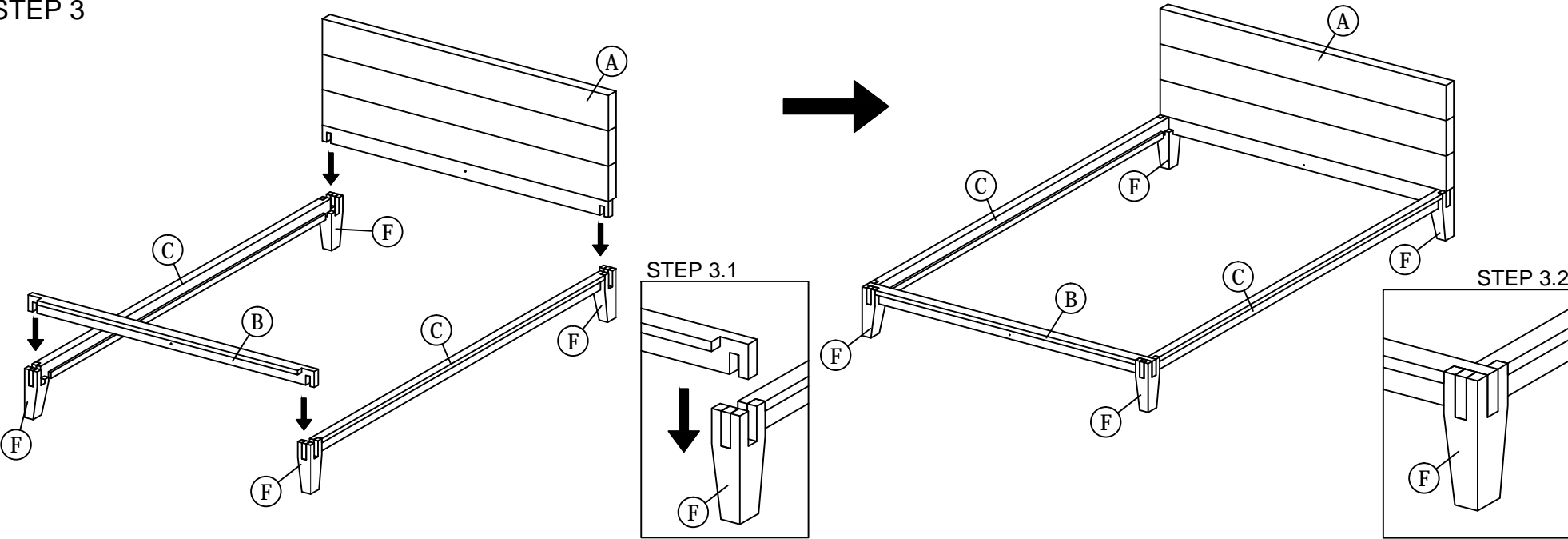


ASSEMBLY INSTRUCTIONS

STEP 2

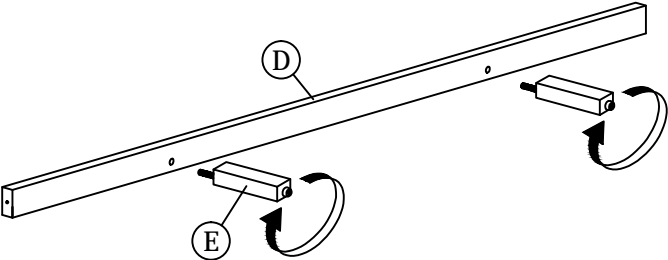


STEP 3

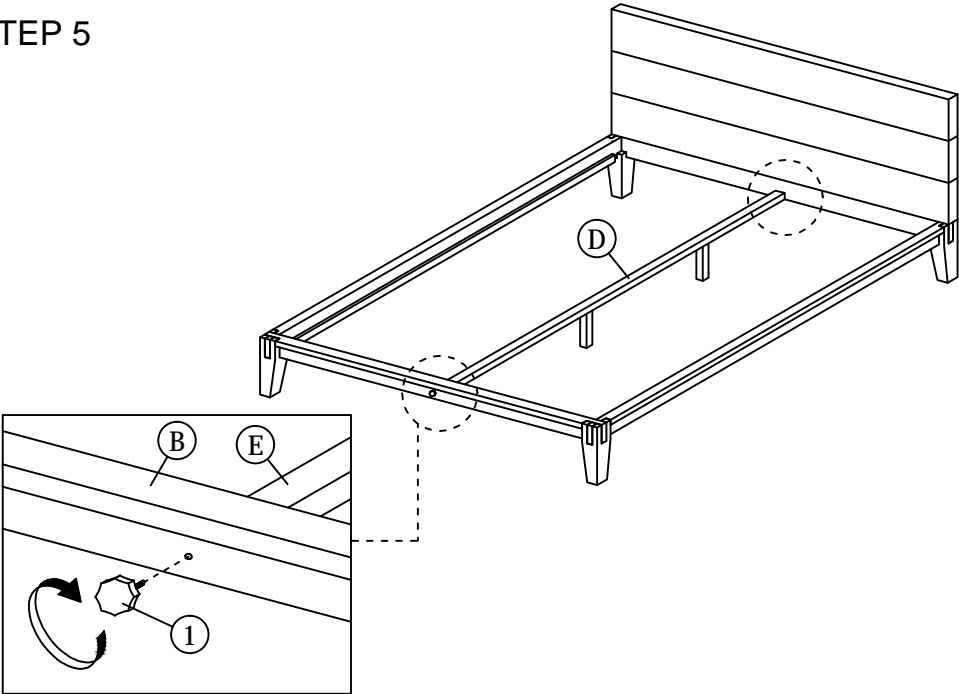


ASSEMBLY INSTRUCTIONS

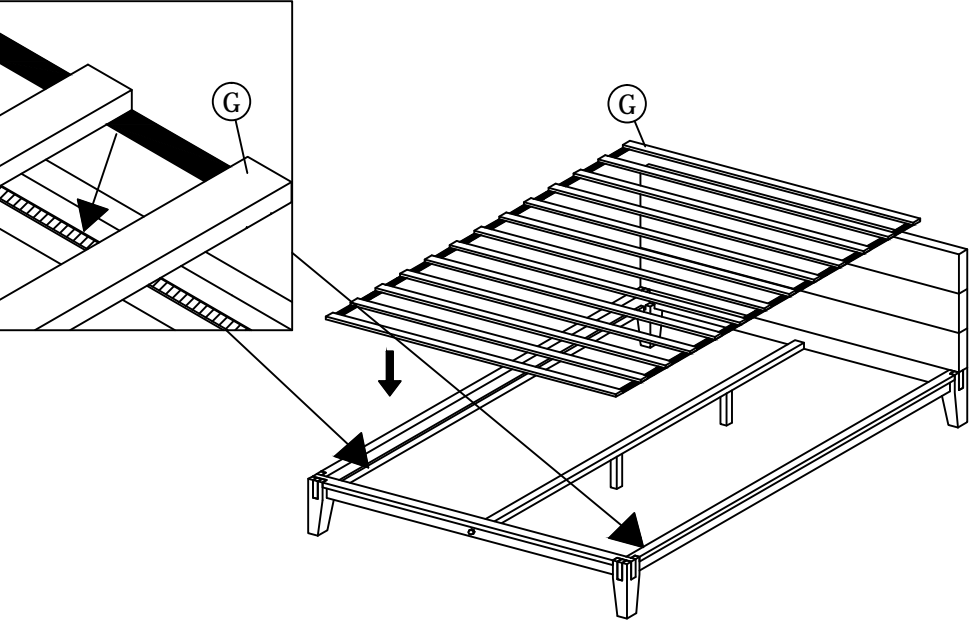
STEP 4



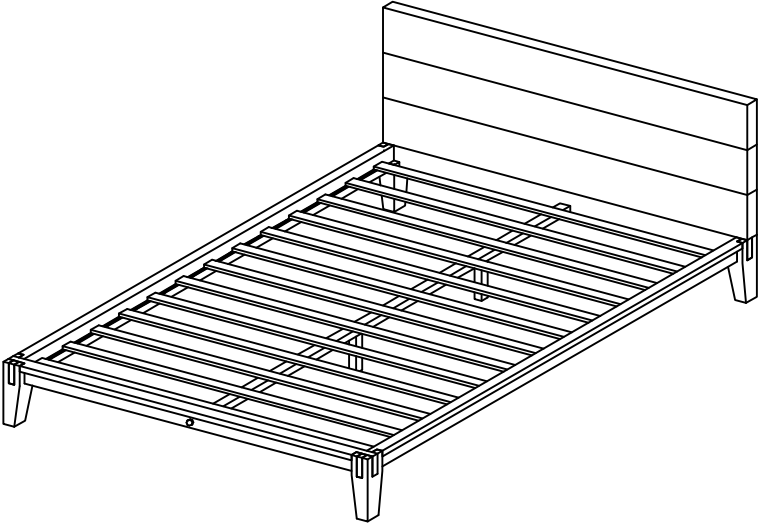
STEP 5



STEP 6



STEP 7



* When moving the bed position, the center support legs must be adjust to be straight to avoid any broken problem.